



JAGUAR

Technical Guide

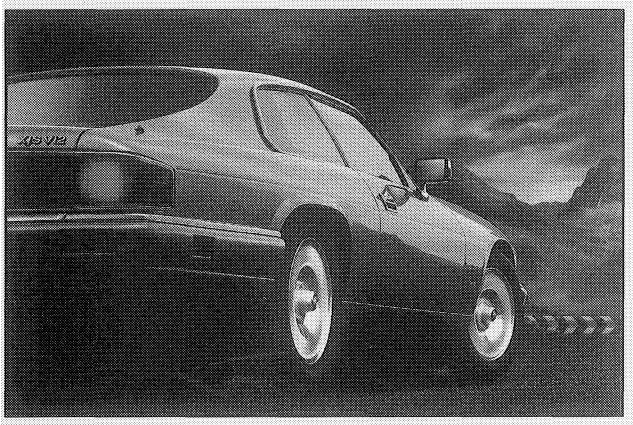
MODEL YEAR UPDATE

XJS-1995.25

MODEL YEAR UPDATE

XJS-1995.25

MODEL YEAR UPDATE



XJS-1995.25

MODEL YEAR UPDATE

XJS-1995.25

MODEL YEAR UPDATE

XJS-1995.25

MODEL YEAR UPDATE

XJS-1995.25

MODEL YEAR UPDATE

XJS-1995.25

MODEL YEAR UPDATE



BY APPOINTMENT TO
HER MAJESTY QUEEN ELIZABETH II
MANUFACTURERS OF DAIMLER AND JAGUAR CARS
JAGUAR CARS LIMITED COVENTRY



BY APPOINTMENT TO
HER MAJESTY QUEEN ELIZABETH
THE QUEEN MOTHER
MANUFACTURERS OF DAIMLER AND JAGUAR CARS
JAGUAR CARS LIMITED COVENTRY



BY APPOINTMENT TO
HIS ROYAL HIGHNESS THE PRINCE OF WALES
MANUFACTURERS OF DAIMLER AND JAGUAR CARS
JAGUAR CARS LIMITED COVENTRY

Technical Guide

XJS-1995.25 MODEL YEAR UPDATE

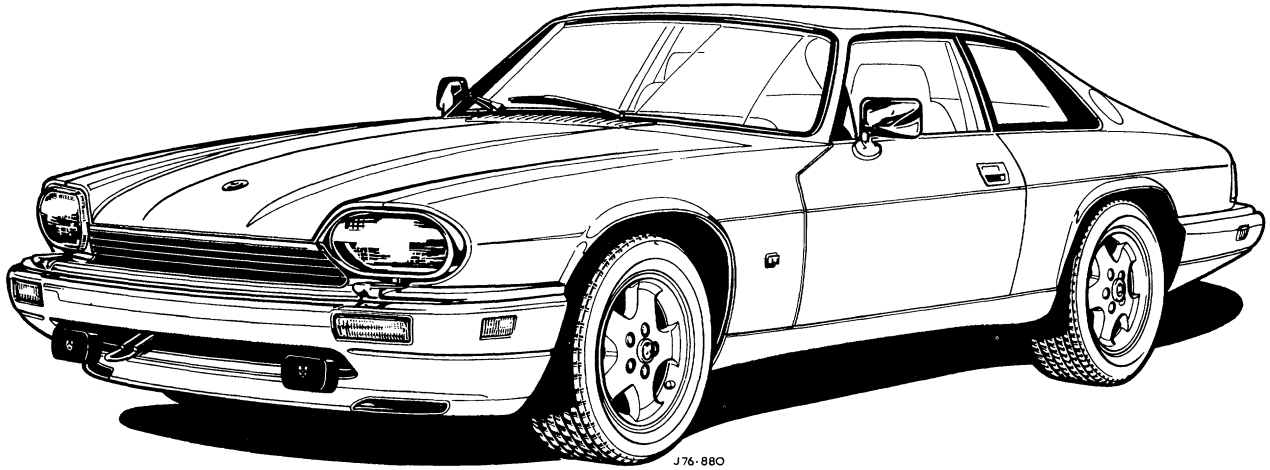
This Technical Guide is produced as an outline description of the changes introduced to the XJS range, since the last Model Year programme, for Jaguar Dealer workshop personnel.

It is intended to complement updates to the Service Manual. By providing the information as a cohesive package, developments can be seen in isolation, in contrast with their dispersed nature in the Service Manual. Where a feature is restricted to certain countries, it is identified as such in the text. Major changes are described, but no attempt is made to cover every technical detail.

The information contained in this publication should be considered as preliminary information and is accurate at the time of printing. The right is reserved to make changes at any time without notice.

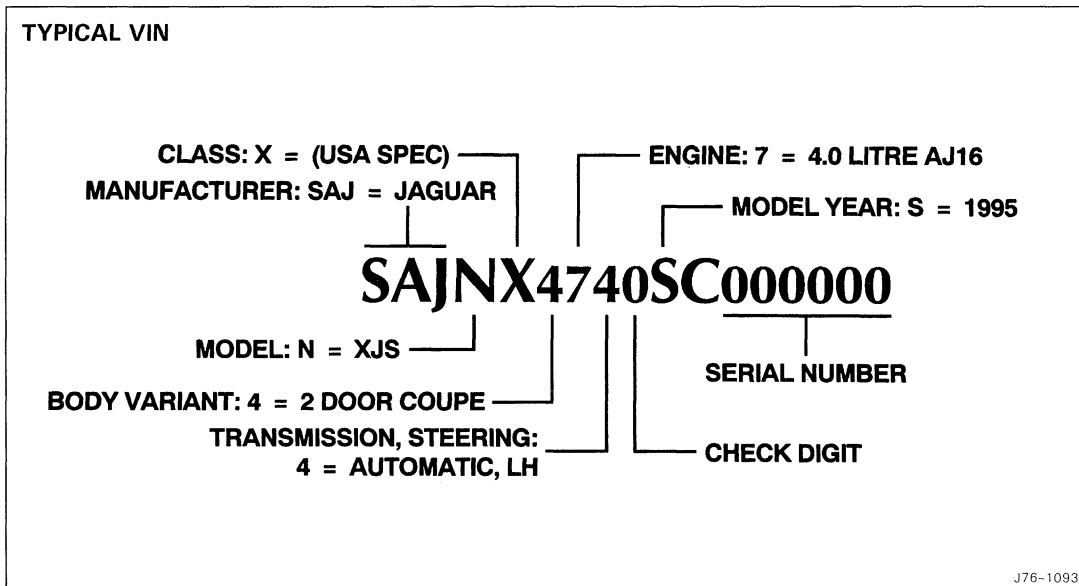
The information given in this Technical Guide will not be updated. Until the release of the next Technical Guide, information on changes to the XJS range can be obtained from Service Bulletins and revisions to the Service Manual.

Subject	Page
Introduction	1-3
Vehicle Identification Number (VIN)	1
Vehicle Features	2
Body	4-4
Exterior Trim	4
Interior Trim	4
AJ16 Engine	5-6
Engine – Mechanical	5
V12 Engine	7-8
Engine – Mechanical	7
Engine Ancillaries	8
Powertrain	9-9
Transmission	9
Driveshaft	9
Chassis	10-14
Wheels and Tires	10
Power-Assisted Steering	10
Foundation Brakes	10
Anti-lock Braking System	11
Parking Brake	13
Brake Pedal Assemblies	14
Electrical/Electronic	15-24
Speed Control System	15
Engine Immobiliser System	15
Windshield Wash System	16
Security System	17
Seat Heater System	17
Relays and Fuses	18



The most significant change introduced at this update is to the brake system, which on all models is changed to the Teves Mark IV system, similar to that on the 1995 Model Year Sedan range. All models also have a different fluid in the transmission and the power-assisted steering system. 4.0 liter models have a new driveshaft and a revised engine part-load breather. North American 4.0 liter models also have a revised installation for the exhaust gas recirculation valve. On 6.0 liter models, the engine crankcase ventilation and the secondary air injection systems are revised. All models incorporate new windshield wash jets and revised seat heater systems. Models for some markets incorporate revisions to the security and engine immobiliser systems. Other changes to the electrical systems include the re-positioning of control modules and the deletion of relays. In addition, the fuse boxes incorporate revisions to the fuse values and to the location of some circuit connections.

Vehicle Identification Number (VIN)



Vehicle Features

The features of the XJS range include those items detailed below. All of the features listed are standard for all models in all markets unless designated as **NA** (Not Available) or **O** (Optional).

Feature	Applicability
16 inch, five spoke alloy wheels	NA on 6.0 L
16 inch, chromed, five spoke alloy wheels	O in all markets
16 inch, 20 spoke alloy wheels	NA on 4.0 L
Space saver spare wheel	O in Belgium and on 4.0 L in South Africa
Full size spare wheel	O in all markets except Belgium, and on 4.0 L in South Africa
Sports suspension	NA on 4.0 L Convertible in Canada, or on 6.0 L in USA and Canada O on 4.0 L in Brazil, Taiwan and USA, 6.0 L Convertible in Austria, all 6.0 L models in Netherlands, Switzerland and ROW, 4.0 L Convertible in all other markets
Touring suspension	NA on 4.0 L Coupe in Canada O on 6.0 L Coupe in Austria, all 6.0 L models in Europe (except Netherlands and Switzerland), 4.0 L Coupe in Europe (except Switzerland) and ROW (except Taiwan)
Limited slip differential	
Electronic four-speed automatic transmission	O on 4.0 L in Belarus, Belgium, Canaries, Czech Republic, Eire, France, Germany, Greece, Hungary, Italy, Kazakhstan, Netherlands, Poland, Portugal, Slovakia, Spain, UK, Ukraine and Uzbekistan
Manual five-speed transmission	NA on 6.0 L, or on 4.0 L in Canada, Denmark, Estonia, Finland, Latvia, Lithuania, Norway, ROW, Russia, Sweden, Switzerland and USA
Catalyst exhaust system	NA in China, Indonesia, Panama, Paraguay and South Africa O in Abu Dhabi, Belarus, Dubai, Kazakhstan, Lebanon, Qatar, Turkey, Ukraine and Uzbekistan
Cruise control	O on 4.0 L except in Brazil, Canada, France, Japan, Luxembourg, Switzerland, Taiwan and USA
Trip computer	NA on 4.0 L in USA and Taiwan O on 4.0 L in all other markets except Belgium, Canaries, Japan, Luxembourg, Portugal, Spain and Switzerland, and on 6.0 L in all markets except Belgium, Canada, Canaries, France, Japan, Luxembourg, Portugal, Spain, Switzerland and USA
Driver and front passenger air bag	
Front fog lamps	O on 4.0 L in all markets except China, Hong Kong and Switzerland, and on 6.0 L in all markets except Brazil, China, Hong Kong, Japan and Switzerland

Feature	Applicability
Headlamp levelling	NA except in Czech Republic, Finland, Germany, Luxembourg and Slovakia
Headlamp power washers	O on 4.0 L in all markets except Austria, Czech Republic, Estonia, Finland, Japan, Latvia, Lithuania, Norway, Russia, Slovakia, Sweden and Switzerland
Air conditioning	
Electric front seat adjustment	
Heated seats	NA on 4.0 L, or on 6.0 L in Canada and USA O on 6.0 L in all other markets except Austria, Estonia, Finland, Japan, Latvia, Lithuania, Luxembourg, Norway, Russia, Sweden and Switzerland
Heated seats with electric lumbar support adjustment	NA on 6.0 L, or on 4.0 L in Canada, ROW, Switzerland and USA O on 4.0 L in all other markets except Estonia, Finland, Latvia, Lithuania, Norway, Russia and Sweden
Heated seats with electric lumbar support adjustment and driver seat memory	NA on 6.0 L except in Canada and USA O on 4.0 L in all markets except Canada and Switzerland
Electric lumbar support adjustment with driver seat memory	NA on 4.0 L in Canada, Estonia, Finland, Latvia, Lithuania, Norway, Russia, Sweden and Switzerland, or on 6.0 L in USA O on 4.0 L in all other European markets
CD autochanger	O in all markets except on 4.0 L in Brazil and on 6.0 L in Brazil, Canada, Switzerland and USA
Telephone harness	O in all markets except Canada, Germany, Greece, Taiwan and USA
Vehicle immobiliser	NA in Canada and USA O (Dealer fit) in all other markets except Germany
Security system	NA in Belgium, China, Cyprus, Finland, France, Germany, Hong Kong, Hungary, Italy, Netherlands, New Zealand, Norway, Russia, South Africa and Sweden O in all other markets except Austria, Canada, Czech Republic, Denmark, Eire, Greece, Luxembourg, Poland, Slovakia, Switzerland, Taiwan, UK and USA

Exterior Trim**Convertible Top**

The convertible top is now manufactured from an acrylic material, instead of polyester, to give improved strength and ageing properties.

Interior Trim**Door Casings**

The trim on Rest of World V12 models is enhanced to the same level as already fitted on North American V12 models. Enhancements include the installation of Autolux leather and revised color keying and piping.

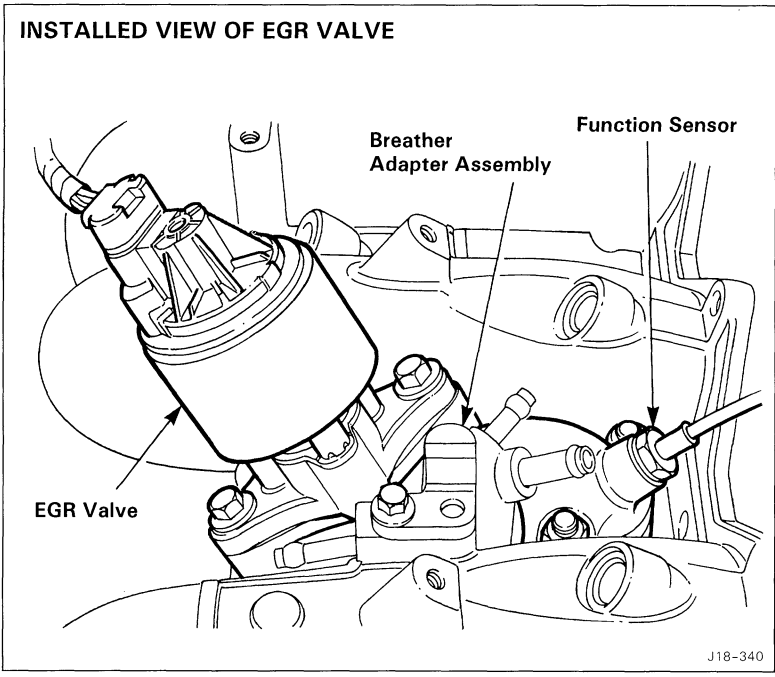
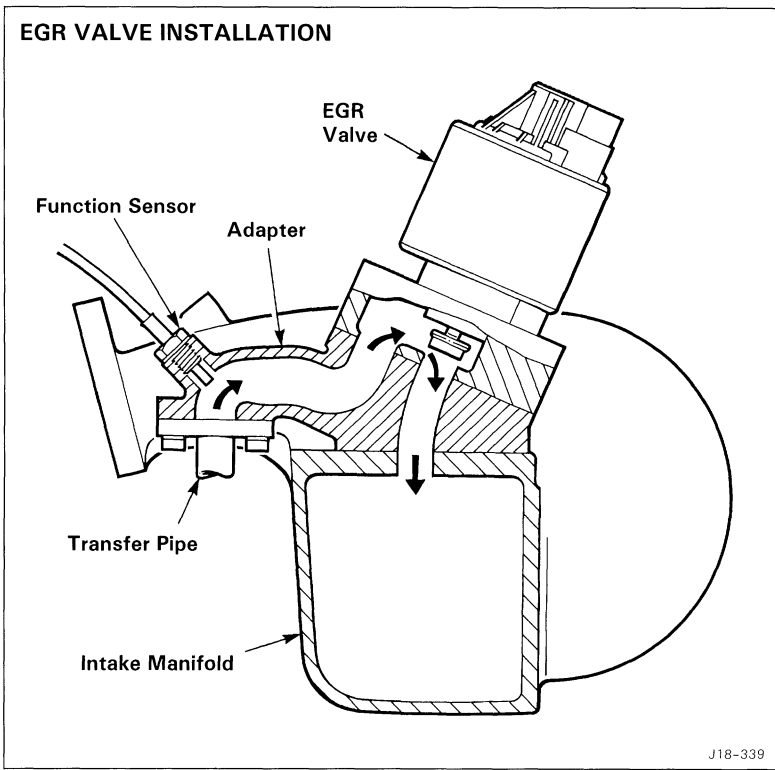
Engine - Mechanical

On North American vehicles, the exhaust gas recirculation (EGR) system and engine part-load breather are revised to reduce the possibility of oil vapor deposits adversely affecting the operation of the EGR valve. For reasons of commonality, the changes to the part-load breather are carried over to vehicles in all other markets.

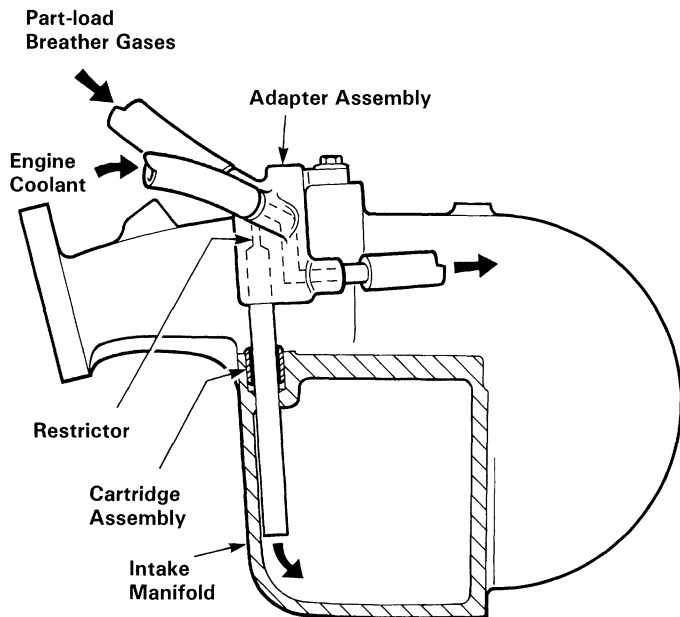
EGR System

An adapter, with connection points for the transfer pipe and the EGR valve function sensor, is introduced between the EGR valve and the intake manifold. Since the exhaust gases no longer pass through the internal passage in the intake manifold, they remain at a higher temperature, reducing the possibility of contaminants in the gases being deposited on the valve.

The previous connection points on the intake manifold, for the transfer pipe and the valve function sensor, are deleted.



BREATHER ADAPTER ASSEMBLY INSTALLATION



J12-862

Part-load Breather

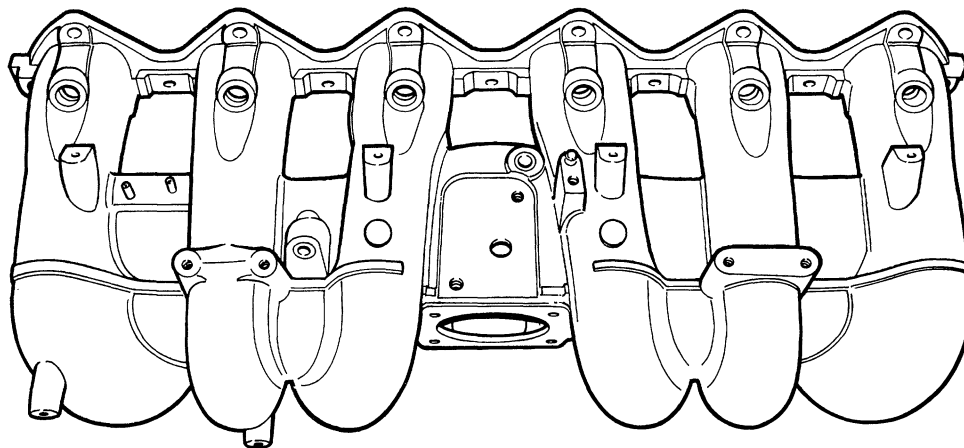
A breather adapter assembly is introduced to the part-load breather, replacing the stub pipe, restrictor and engine coolant passages previously integrated into the intake manifold.

The adapter assembly, attached to the intake manifold with a dowel and bolt, consists of a casting with four stub pipes. Pairs of the stub pipes, for the part-load breather and for the engine coolant, are connected by separate passages in the casting. The part-load breather passage contains a 2,5 mm nominal diameter restrictor, to prevent reverse flow. The flow of engine coolant through the adapter assembly prevents the formation of ice in the restrictor at low ambient temperatures.

The outlet stub pipe for the part-load breather directs breather gases to the lower part of the intake manifold interior, away from the exhaust gas recirculation valve. A press fit, rubber lined cartridge assembly provides the seal between the outlet stub pipe and the manifold.

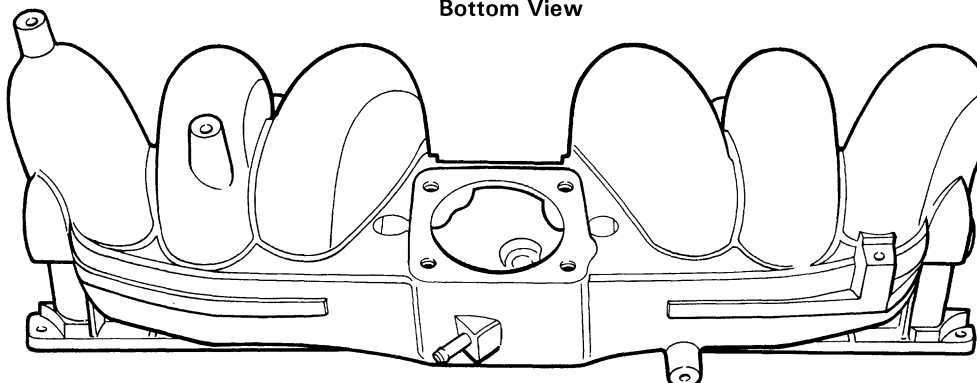
INTAKE MANIFOLD

Top View



J19-493

Bottom View



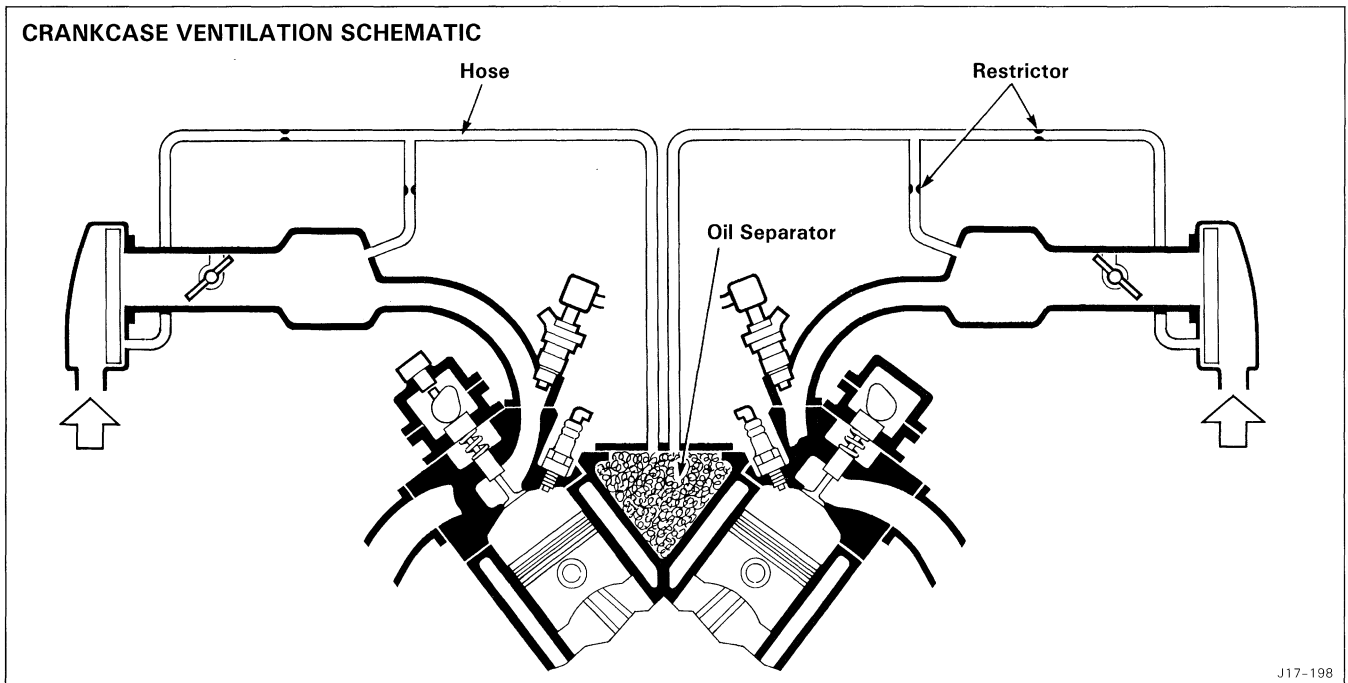
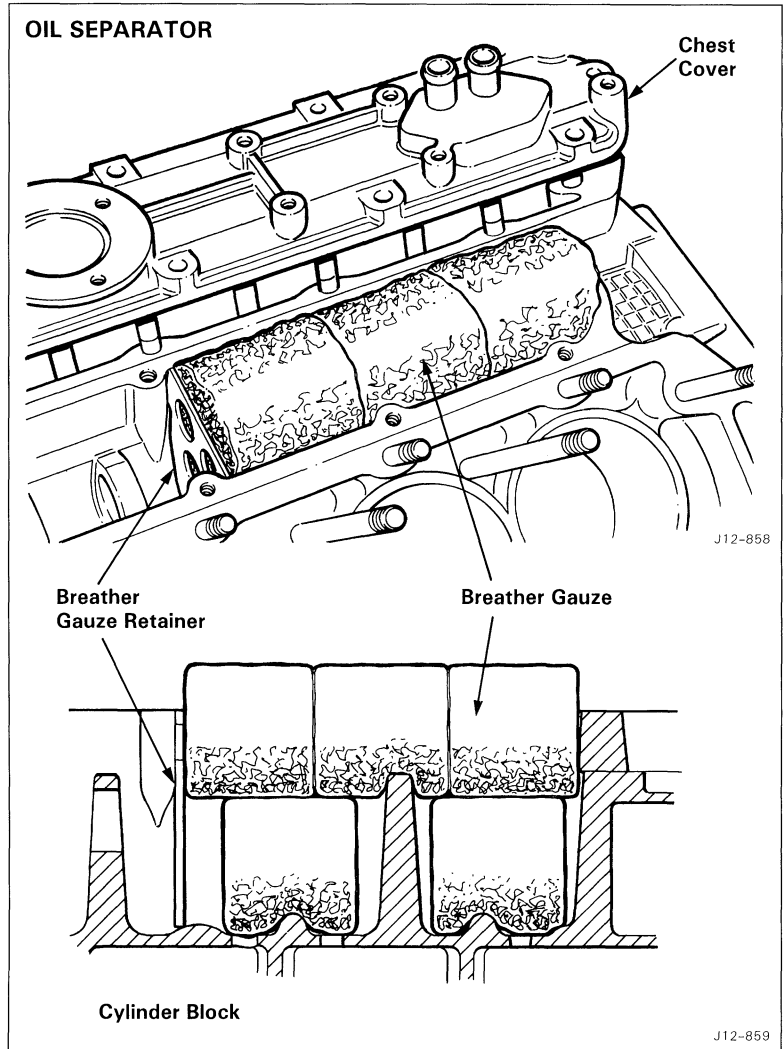
J19-494

Engine - Mechanical

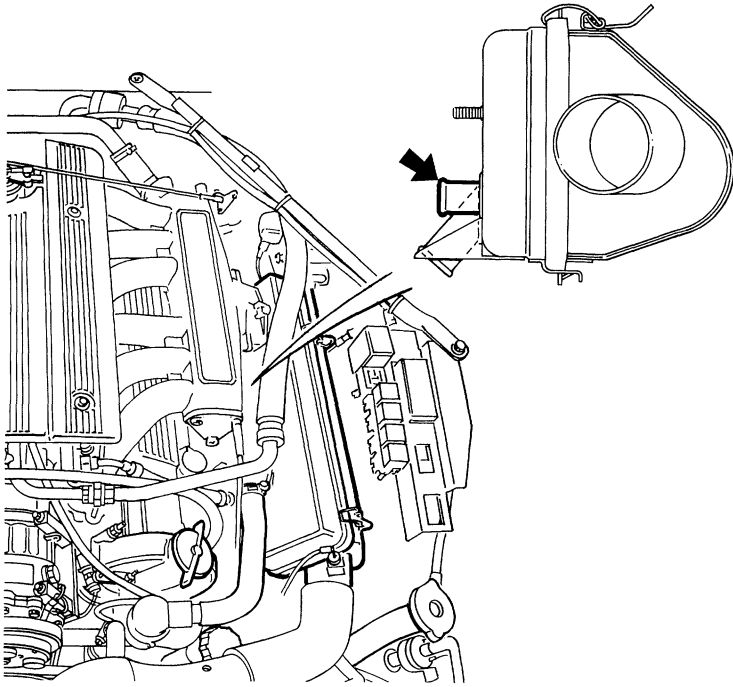
Crankcase Ventilation

A new crankcase ventilation system, similar to that introduced on the new XJ Series Sedan V12 engine, is incorporated on the XJS V12 engine. Instead of separate part load and full load oil separators, the system now has a single oil separator installed below the rear half of the breather chest cover. The new oil separator consists of five cylinders of breather gauze, held in place by a sliding-fit, breather gauze retainer. Hoses connect outlets on the breather chest cover to the intake manifold and air cleaner of each cylinder bank. The mounting boss for the previous full load oil separator, on the front face of 'B' bank cylinder head, is deleted.

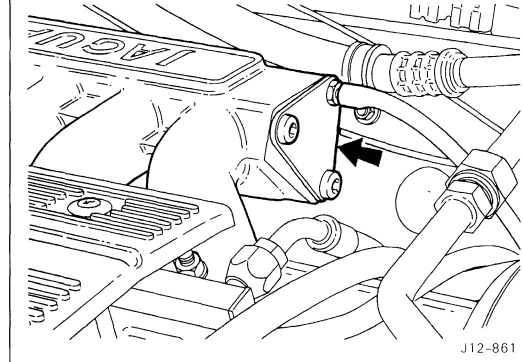
With the engine running at part load, gases are drawn from the breather chest by the depression in the intake manifolds. At full load, the gases are drawn from the breather chest by the depression in the air cleaners. Restrictors in the breather hoses ensure the gases flow in the correct direction at all engine running conditions. As the gases pass through the oil separator, any oil vapor that it contains condenses out on the breather gauze, then drains back into the sump.



AIR CLEANER



INTAKE MANIFOLD FRONT END PLATE



Air Cleaners

Each air cleaner has a new stub pipe on the back plate assembly, for the connection of the breather hoses of the crankcase ventilation system. On the LH air cleaner, the stub pipe replaces the previous connection point of the full load breather.

Intake Manifold Front End Plates

The manifold front end plates are now made from steel plate instead of die-cast aluminum alloy.

Transit Spark Plugs

The final delivery standard of spark plugs, instead of transit standard, are now installed during the initial engine build. Consequently, it is no longer necessary to replace the spark plugs on the Pre-Delivery Inspection, and vehicles are delivered without the spare set of spark plugs in the trunk.

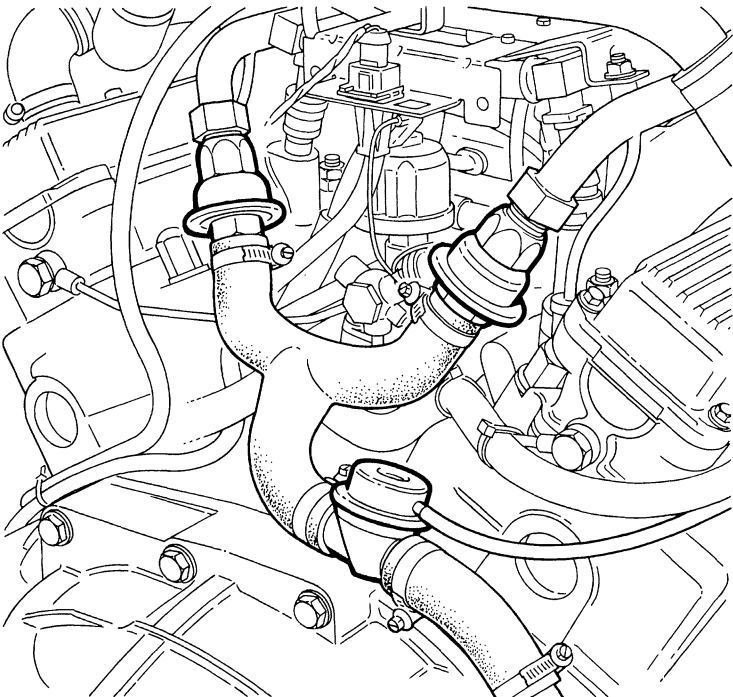
Engine Ancillaries

Secondary Air Injection System

For commonality with the Sedan V12 engine, the AC Delco check valves and the air injection switching valve are replaced with Nippondenso components. The operation of the valves remains the same.

The hoses from the air injection pump and from the air injection rails are revised to accommodate the new valves.

AIR INJECTION VALVES



Transmission

Transmission Fluid

Both automatic and manual transmissions are now filled with Dexron III. Transmissions may be replenished with Dexron IID or IIE if Dexron III is not available.

Driveshaft

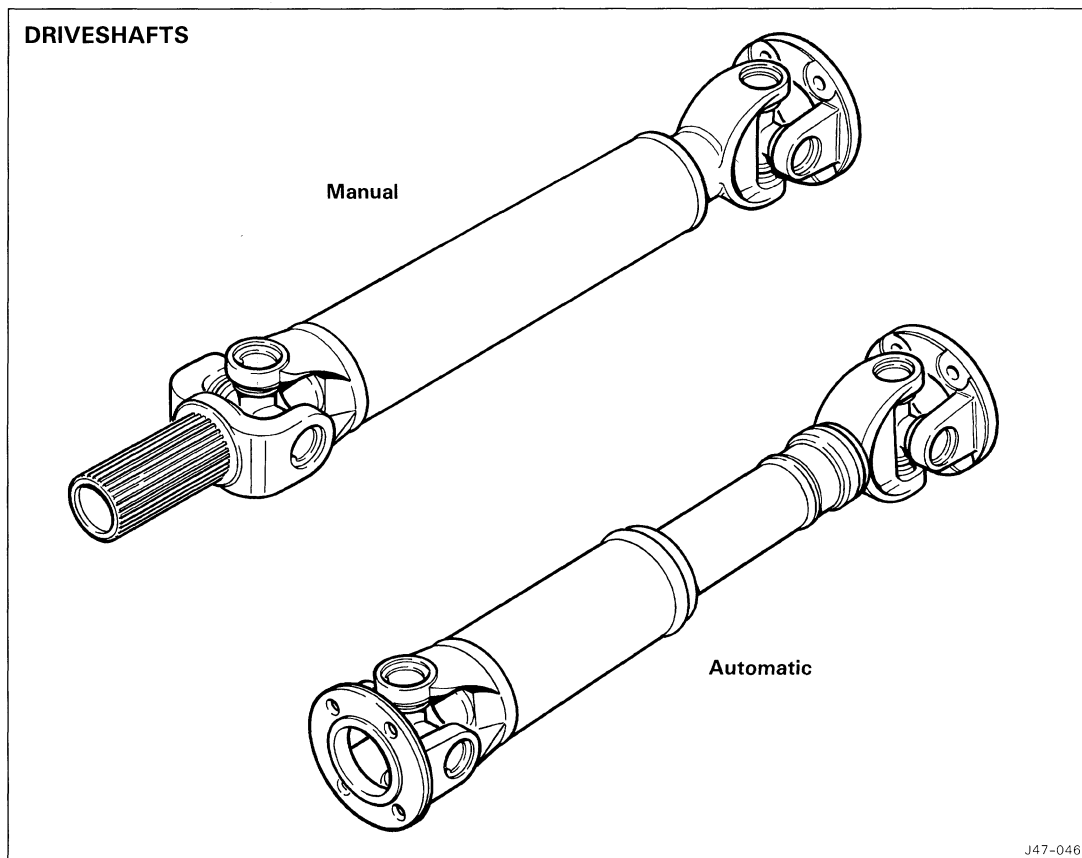
4.0 L Models Only

To reduce noise, vibration and harshness levels, a new driveshaft is introduced on both automatic and manual models. The new driveshaft on automatic models is the same as that currently used on V12 models, except for the length, which is increased to compensate for the shorter engine installation.

The new driveshaft on manual models is made from a single length of tubing with a yoke welded to each end. Universal joints connect the welded yokes to a reverse sleeve yoke and a flange yoke, to connect the driveshaft with the transmission and final drive unit respectively.

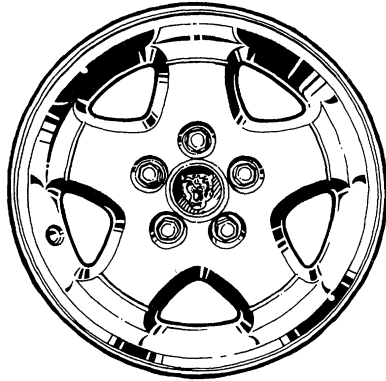
All Automatic Models

The installation of the driveshaft is reversed. The end next to the splined slip-joint is now connected to the transmission.



J47-046

**FULLY CHROMED,
FIVE-SPOKE ALLOY WHEEL**



JLS-063

Wheels and Tires

Wheels

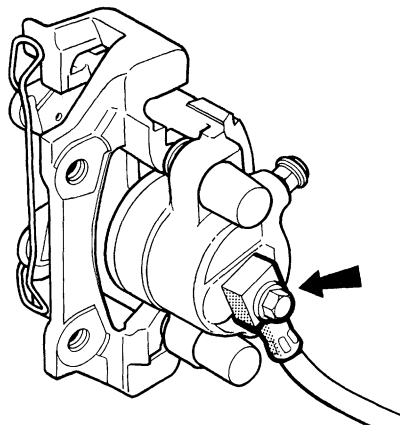
Fully chromed, five-spoke alloy wheels are to be introduced as an option in all markets.

Power-Assisted Steering

System Fluid

The power-assisted steering system is now filled with Dexron III. The system reservoir may be replenished with Dexron IID or IIE if Dexron III is not available.

CALIPER HOSE CONNECTION



J70-310

Foundation Brakes

Rear Calipers and Discs

The rear brake discs are changed to ventilated type discs providing additional cooling performance. The disc thickness increases from 10 to 20 mm. In addition, the caliper pistons are increased in diameter from 36 to 48 mm.

The disc back plate cover is larger to accommodate the larger caliper and is profiled so as not to cover the disc vents. The pad material is changed to Jurid 101.

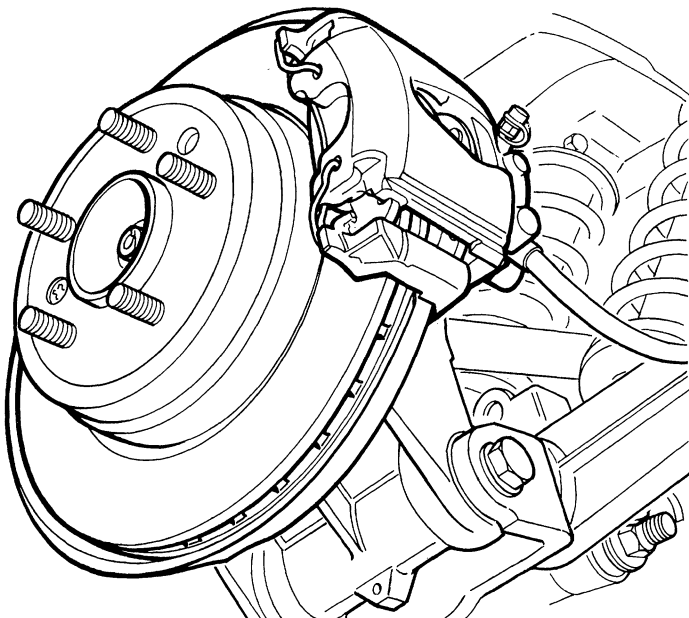
Hose connection to the caliper is made by a 'banjo' fitting. Brake system pipe routing is changed to accommodate the new rear braking system installation.

Hydraulic Force

A conventional master cylinder/reservoir/servo booster arrangement is used to provide the hydraulic force for the foundation brakes. The vacuum for the servo boost is obtained from the intake manifold. The vacuum line from the servo booster to the intake manifold includes a one-way check valve.

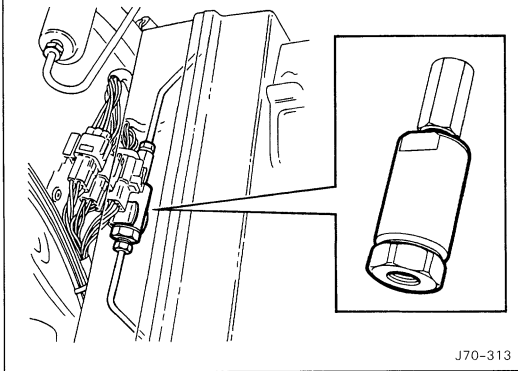
The new fluid reservoir incorporates a level sensor. The sensor's electrical connector is moulded to the side of the reservoir.

VENTILATED REAR DISC



J70-311

PRESSURE CONSCIOUS REDUCTION VALVE



J70-313

Hydraulic Circuits

The hydraulic circuits are split front/rear as on previous model year vehicles. They are modified to suit the Teves Mk IV-GI ABS and are illustrated in the ABS section. During normal braking operation, the ABS modulator has no effect other than to act as a manifold in the system.

To prevent over-braking to the rear brakes, a pressure conscious reduction valve is fitted to the rear brake line. The valve throttles off to the rear brakes at pressures over a certain threshold, to provide a closer balance between front and rear brakes.

Anti-lock Braking System

The anti-lock braking system (ABS) is changed to the Teves Mk IV-GI. The ABS control module activates the ABS when a wheel(s) rotates slower than the comparative norm (approaching wheel lock).

Components

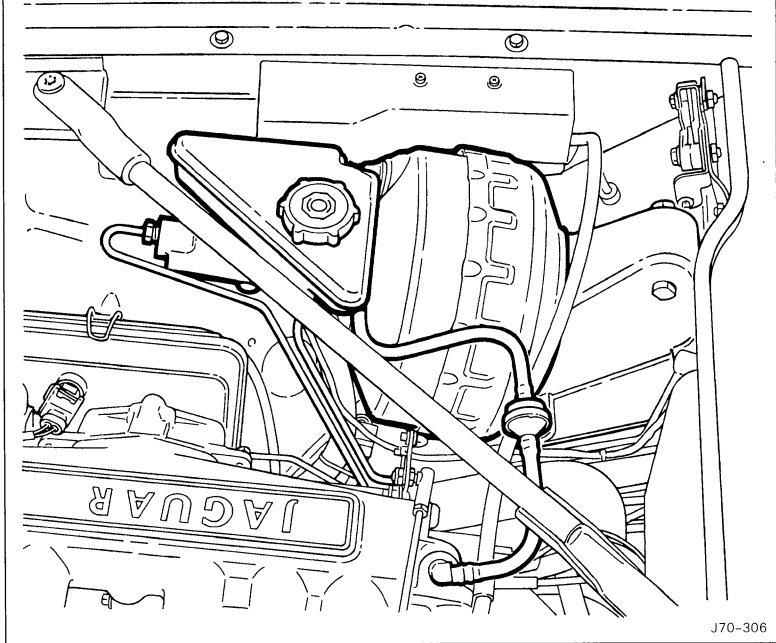
Hydraulic Modulator

This incorporates a pump, motor, low pressure accumulator, valve block and control module. Contained within the hydraulic modulator are the electro-hydraulic inlet and outlet valves which regulate brake system pressure during ABS. The modulator has three ports (two front, one rear).

Wheel Speed Sensors

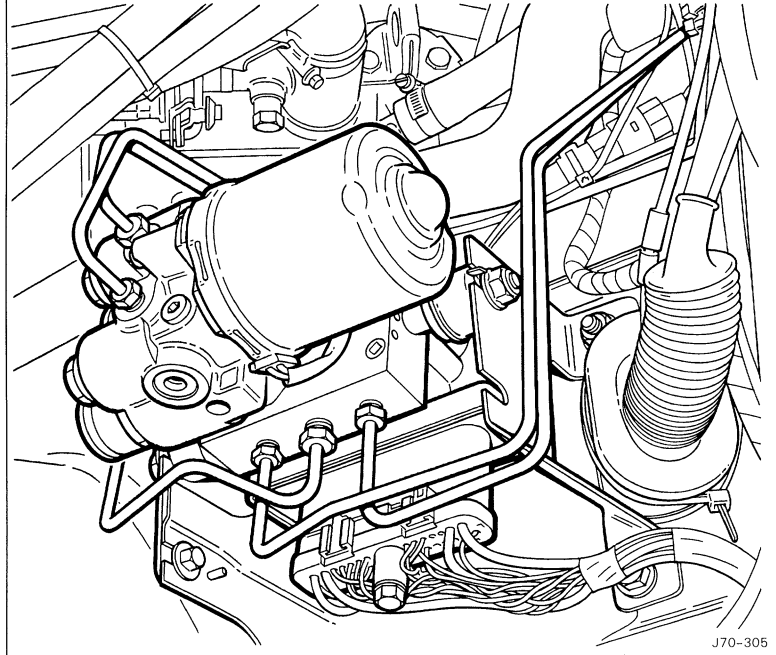
The four hub end mounted wheel speed sensors are similar in appearance to the previous model year installation. A modified flying lead and connector however, causes the sensors to be not interchangeable with former versions.

MASTER CYLINDER/BOOSTER ASSEMBLY



J70-306

ABS HYDRAULIC MODULATOR



J70-305

Warning Indicators

The two warning indicators are unchanged: an indicator with the words ANTI-LOCK for failure of the anti-lock function; an indicator with a brake symbol or the word BRAKE (USA only) for low fluid level in the brake system reservoir.

Various Auxiliary Inputs

These provide information to the ABS CM.

Diagnostic Communication Input/Output Link

The ABS CM is linked to communicate with the portable diagnostic unit (PDU).

System Description

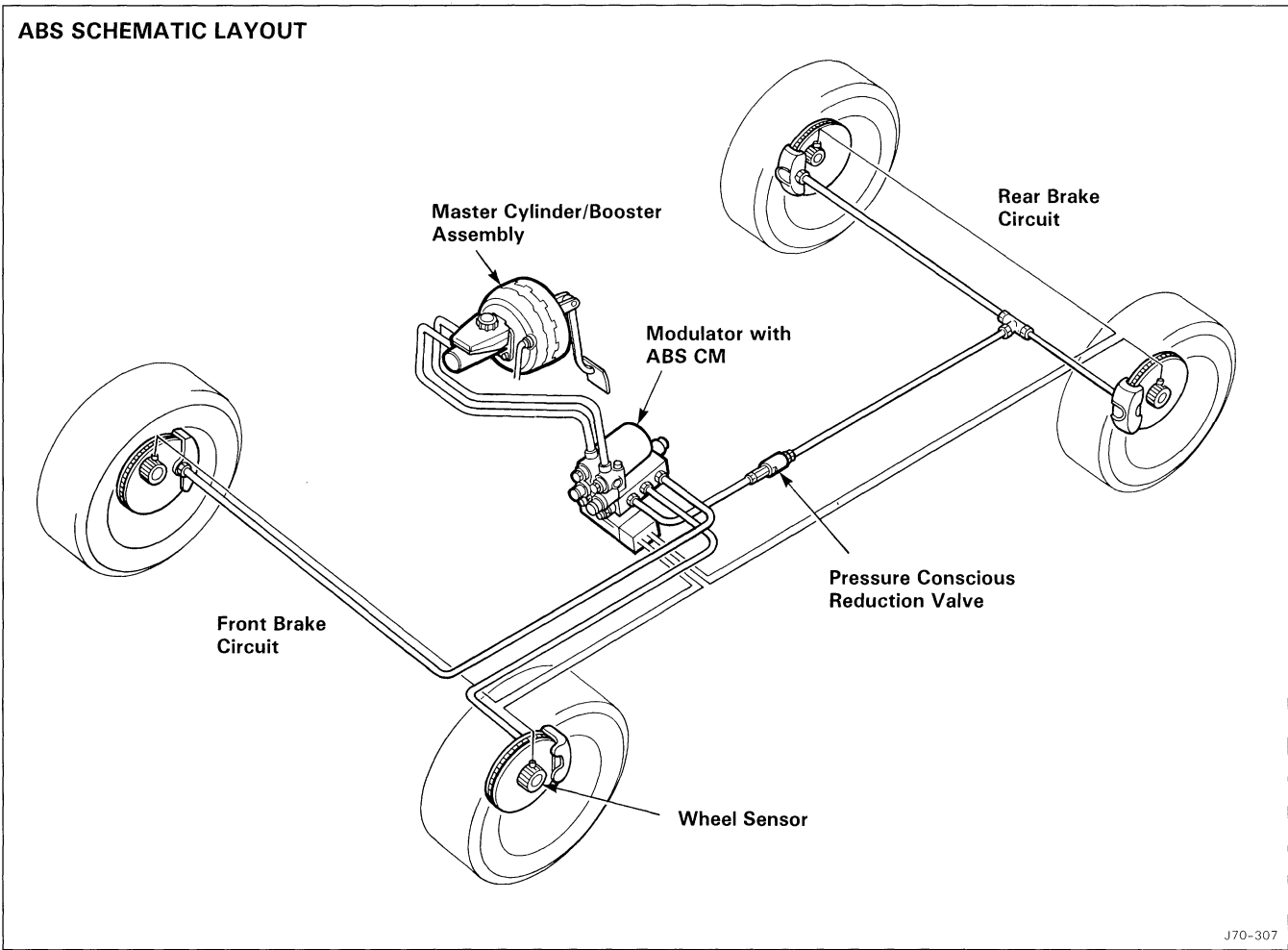
ABS Control

The solenoid operated hydraulic valves are activated by signals from the ABS CM, which are generated using signals received from the wheel speed sensors. Hydraulic pressure is applied by the modulator's motor/pump unit.

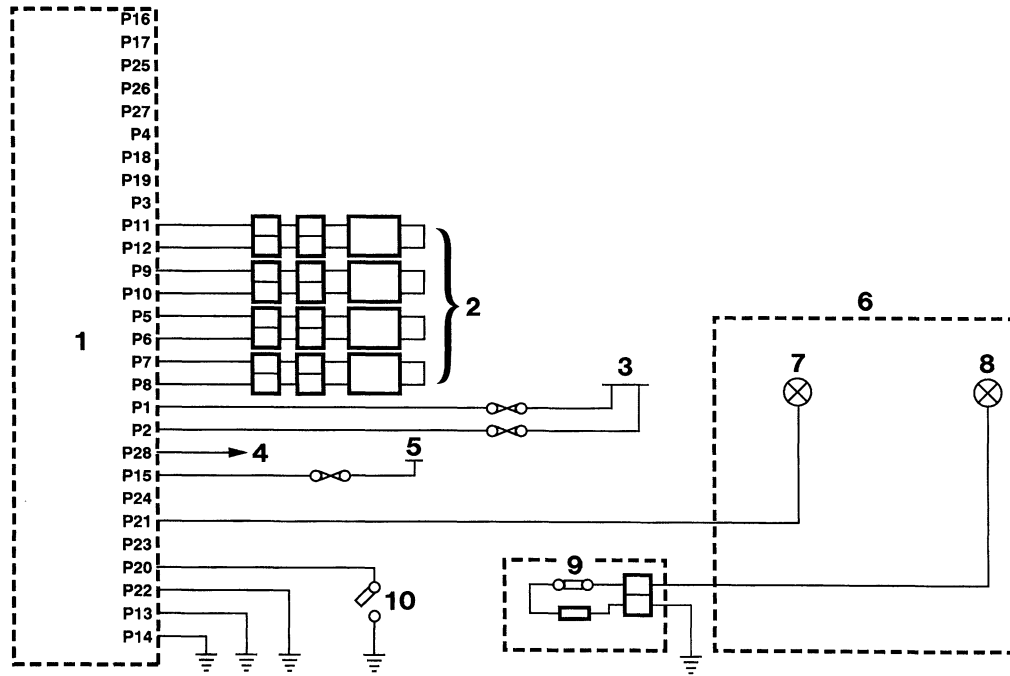
The valves operate on three circuits, two front and one rear, as necessary to prevent wheel locking during braking.

Brake pressure is modulated individually at the front wheels and collectively at the rear. Rear wheel control operates a 'select low' principle such that if locking in either wheel is sensed, brake pressure is controlled and will be reduced to both wheels simultaneously.

The ABS system as a whole is monitored constantly by the ABS CM and is disabled (switched off until fault is rectified) automatically when certain failures are identified. In the event of a failure being detected, the ABS malfunction indicator lamp (MIL), located on the instrument pack, will illuminate. Full boosted brake operation is available when ABS is disabled.



ABS PIN OUT IDENTITY



- | | |
|---------------------------------|------------------------------|
| 1. ABS Control Module | 6. Instrument Pack |
| 2. Wheel Speed Sensors | 7. ABS MIL |
| 3. Battery Voltage Input | 8. Braking Warning Indicator |
| 4. Diagnostic Communication Bus | 9. Fluid Level Switch |
| 5. Ignition Voltage Input | 10. Stop Lamp Switch |

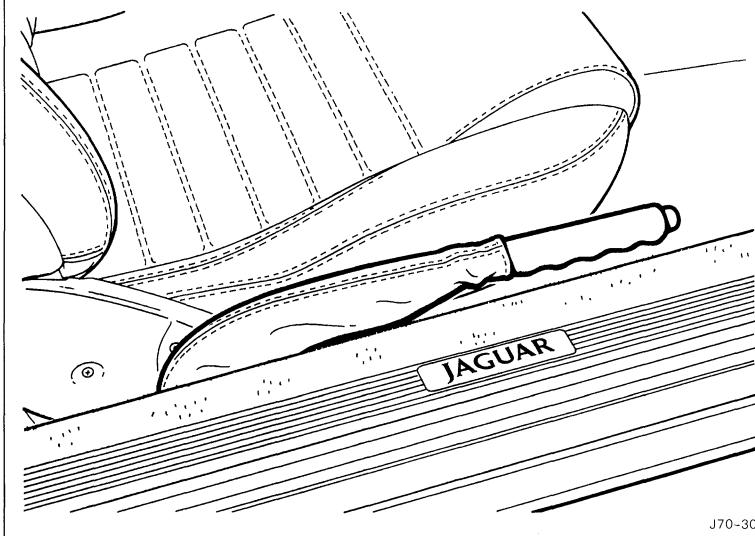
J86-1964

Parking Brake

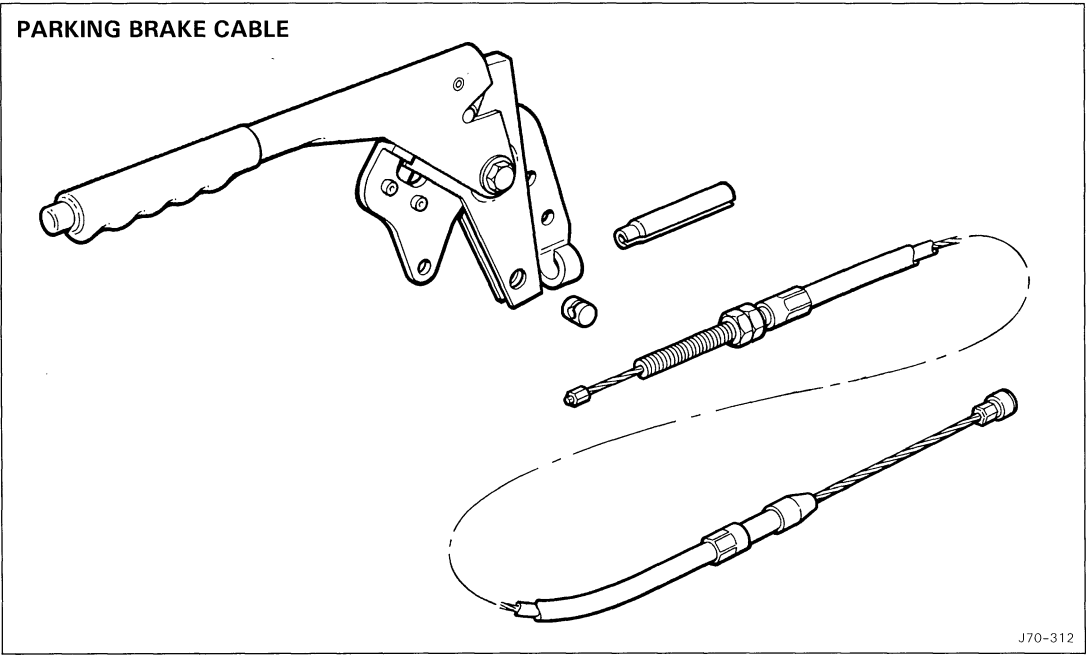
A new parking brake is introduced, the lever of which is shorter and covered by a color-keyed gaiter. The gaiter is made from Ambla on 4.0 liter and from Autolux on V12 models. The hand grip has a soft feel finish with finger contact curved contours. Improvements are made which give a more positive feel when moving the lever to the off position and give a high quality ratchet operation sound.

The main cable is changed in the way that it attaches to the parking brake lever and now incorporates a slot-in trunnion.

PARKING BRAKE

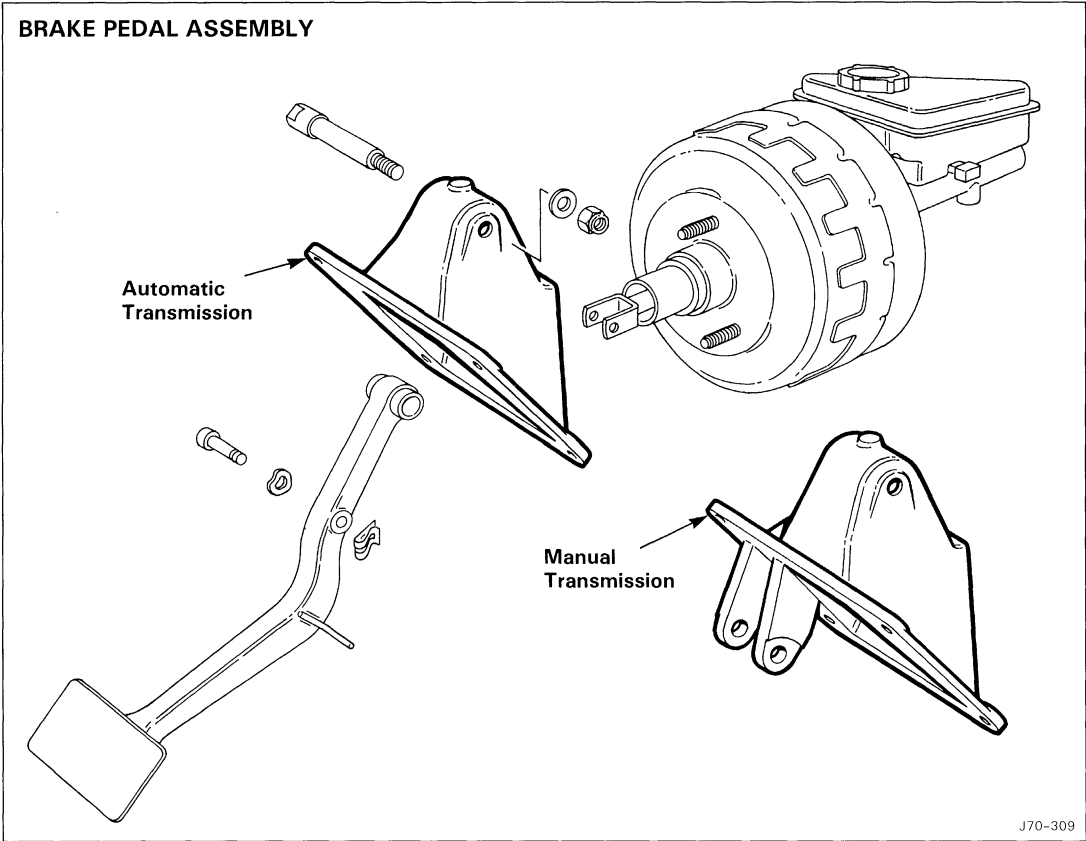


J70-308



Brake Pedal Assemblies

The new brake pedal housing assemblies are designed to accommodate the installation changes needed for the new master cylinder/booster assembly. The brake pedal housing for automatic transmission vehicles is now made from plastic; manual transmission vehicles remain in aluminum.

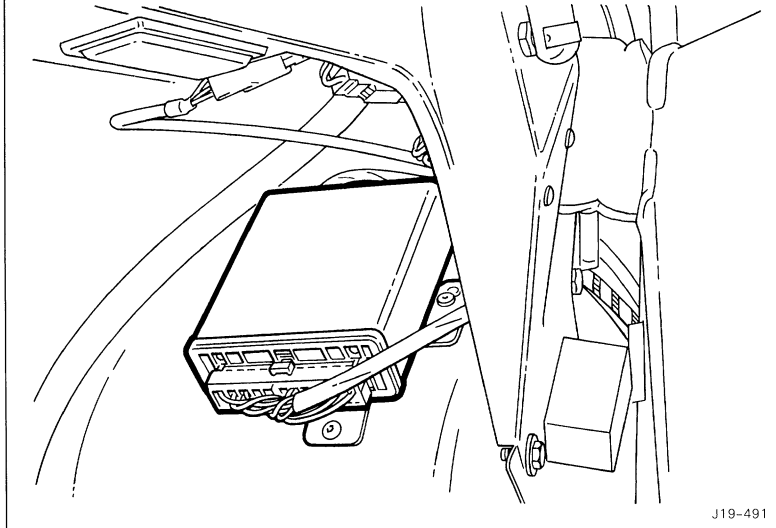


Speed Control System

Control Module

The control module is located on the left wheel arch in the trunk, instead of the scuttle. It occupies the position previously occupied by the anti-lock braking system control module (which is integrated into the hydraulic modulator of the new brake system).

SPEED-CONTROL CONTROL MODULE

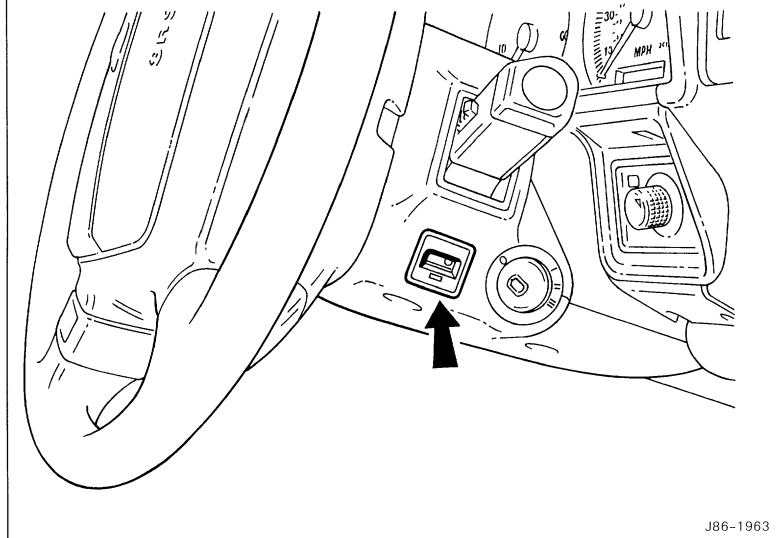


Engine Immobiliser System

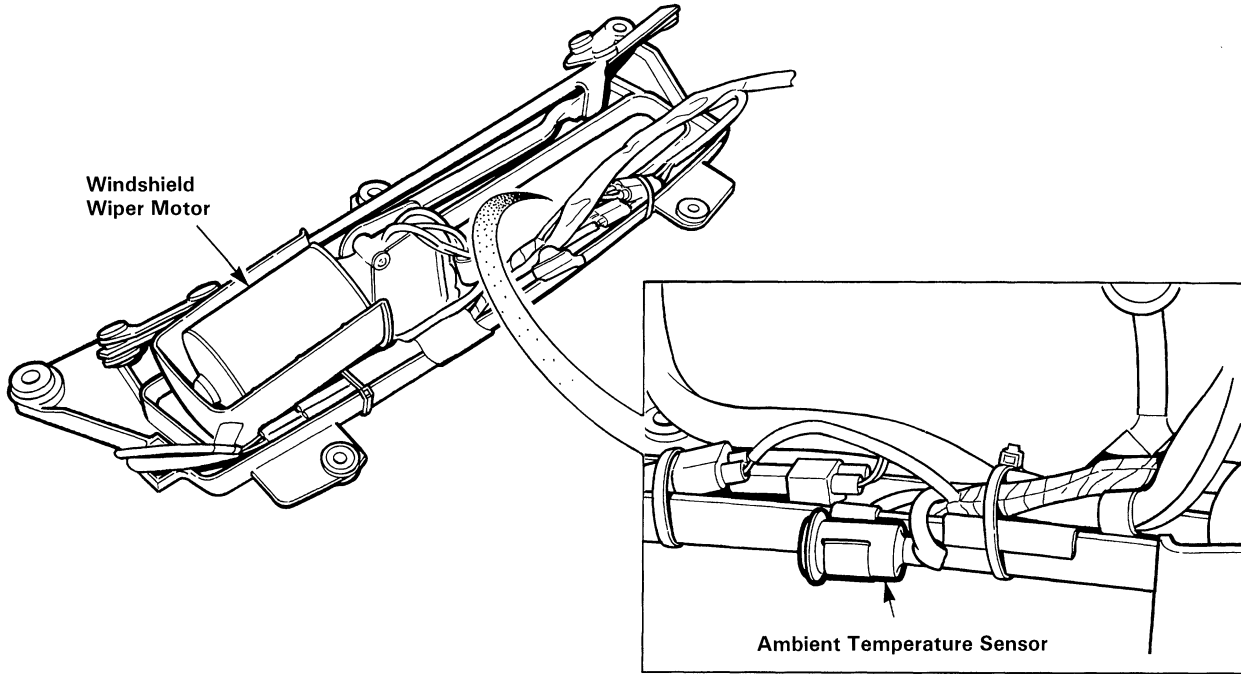
Engine Immobiliser Socket

On vehicles for the German market, the socket for the engine immobiliser key is moved to the opposite side of the ignition switch. The wiring for the socket is re-routed for increased security, and now has a dedicated connector on the bulkhead harness.

ENGINE IMMOBILISER SOCKET

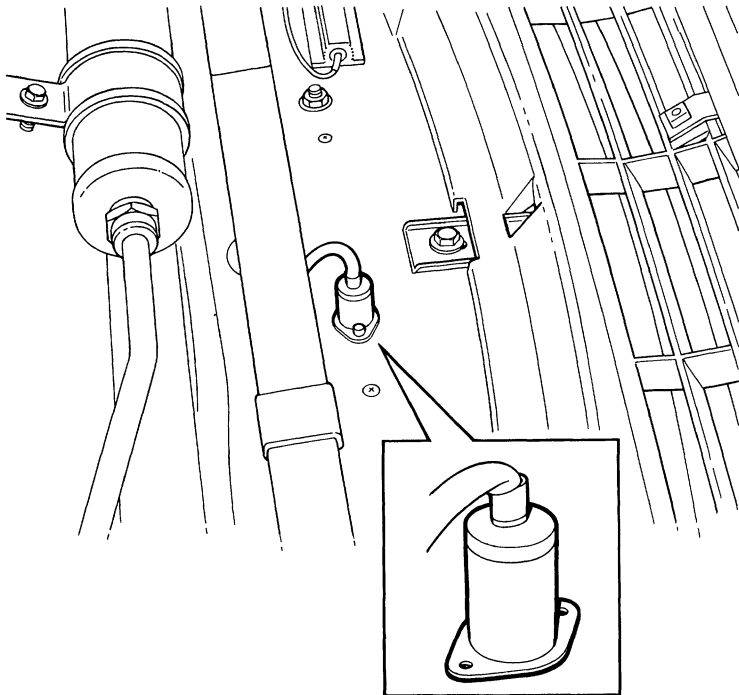


WASH JETS LINK LEAD AND TEMPERATURE SENSOR



J84-102

WASH JETS TEMPERATURE SENSOR - RADIATOR INSTALLATION



J84-103

Windshield Wash System

Wash Jets

Heated wash jets with a separate ambient temperature sensor are re-introduced for the windshield wash system. Initially the sensor is integrated into the wash jets link lead and attached to the support frame of the windshield wiper motor. On later vehicles the sensor is installed at the right front of the radiator, in the Pre-1994 Model Year position.

Security System

The electronic security system, with remote operation, is introduced as a standard fit on vehicles for Austria, Czech Republic, Denmark, Eire, Poland, Slovakia and Switzerland.

Seat Heater System

Each front seat heater system incorporates a new control module and new heater elements. The relay in the supply to the two systems is deleted. System operation is now similar to that on the Sedan models. External control of each system, by the switch on the related door trim panel, is unchanged.

Heater Elements

The new heater elements have thermostats instead of thermistors to control temperature.

Control Module

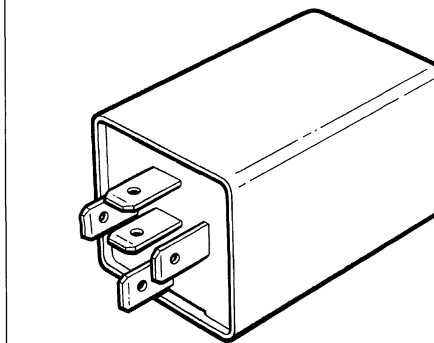
The new control modules are 10 to 12 minute timer relays. They are installed on the left and right rear of the engine bulkhead, instead of below the seats as on the previous system. On vehicles without seat heaters, black protective covers are installed on the control module connectors of the bulkhead harness.

Operation

When a seat heater is selected on, the related control module energizes and connects a 12V dc supply to the heater elements. The thermostats then regulate the supply to maintain the heater elements at a temperature of 32 to 35°C.

After 10 to 12 minutes the control module automatically de-energizes and disconnects the supply to the heater elements. The system then remains off until the seat heater is selected on again. The control module also de-energizes if the seat heater is manually selected off before the 10 to 12 minutes time delay has elapsed.

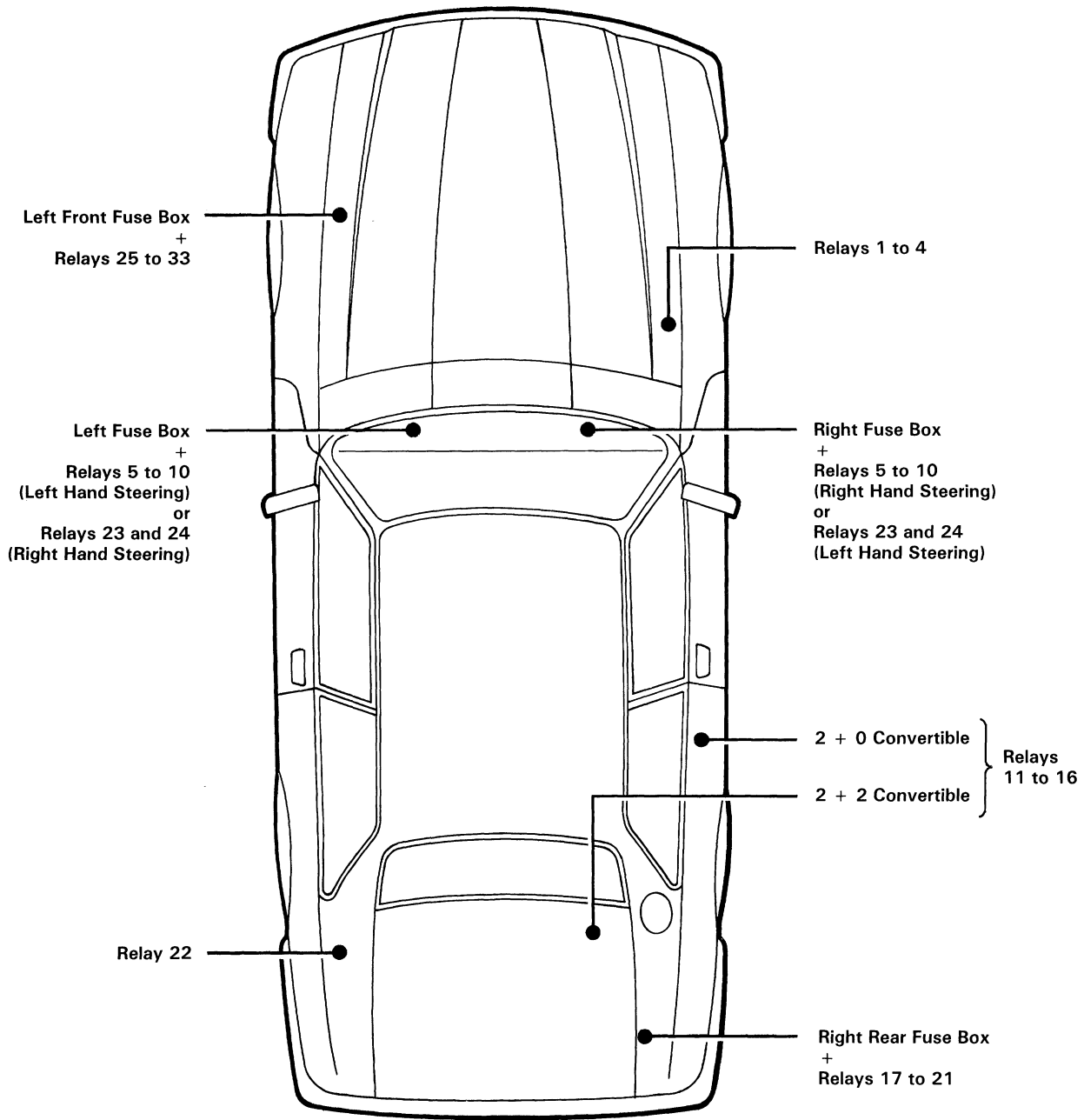
SEAT HEATER CONTROL MODULE



J86-1968

Relays and Fuses

RELAY AND FUSE BOX LOCATIONS



For details see Relay and Fuse Identification Tables

Relay Identification Table

No.	Relay	Color		Location	Applicability
		Case	Base		
1	Air injection hot start	Light blue	Blue	Engine compartment, RH	6.0 L Catalyst
2	Air conditioning clutch	Light blue	Green	Engine compartment, RH	All
3	Horn	Light blue	Black	Engine compartment, RH	All
4	Starter solenoid	Light blue	White	Engine compartment, RH	All
5	Transmission warning	Violet	Black	Driver's side scuttle	Automatic
6	Auxiliary controlled load	Light blue	Black	Driver's side scuttle	All
7	Ignition controlled load	Light blue	Yellow	Driver's side scuttle	All
8	Heated rear window	Light blue	Blue	Driver's side scuttle	All
9	Interior lights	Light blue	Red	Driver's side scuttle	All
10	Headlamp flash	Light blue	Blue	Driver's side scuttle	Australia, Canada, Middle East, UK and USA
11	Convertible top up	Violet	Green	Rear seat Trunk	2 + 0 Convertible 2 + 2 Convertible
12	Convertible top down	Violet	Blue	Rear seat Trunk	2 + 0 Convertible 2 + 2 Convertible
13	Rear quarter window up, RH	Violet	Red	Rear seat Trunk	2 + 0 Convertible 2 + 2 Convertible
14	Rear quarter window down, RH	Violet	Black	Rear seat Trunk	2 + 0 Convertible 2 + 2 Convertible
15	Rear quarter window up, LH	Violet	Yellow	Rear seat Trunk	2 + 0 Convertible 2 + 2 Convertible
16	Rear quarter window down, LH	Violet	White	Rear seat Trunk	2 + 0 Convertible 2 + 2 Convertible
17	Reverse lights	Light blue	Silver	Trunk	All
18	Fuel pump 1	Silver	Yellow	Trunk	All
19	Rear fog lamp	Light blue	Blue	Trunk	All
20	Main fuel injection	Silver/Red	Red	Trunk	6.0 L
21	Fuel pump 2	Silver	Green	Trunk	6.0 L
22	Stop lamp	Violet	Yellow	Trunk	All
23	Engine management system power	Silver/Red	Red	Passenger's side scuttle	4.0 L
24	Engine control module controlled	Light blue	Blue	Passenger's side scuttle	4.0 L
25	Air pump	Light blue	Green	Engine compartment, LH	4.0 L catalyst
26	Daylight running 1	Light blue	Blue	Engine compartment, LH	Canada, Denmark and Sweden
27	Daylight running 2	Violet	Blue	Engine compartment, LH	Canada, Denmark and Sweden
28	Daylight running 3	Violet	Blue	Engine compartment, LH	Canada, Denmark and Sweden
29	Dim/Dip control	Light blue	Blue	Engine compartment, LH	UK
30	Front fog lamp	Light blue	Blue	Engine compartment, LH	All - optional
31	Side lights	Light blue	Blue	Engine compartment, LH	All
32	Headlamp control	Light blue	Blue	Engine compartment, LH	All
33	Radiator fan	Light blue	Blue	Engine compartment, LH	All

Note: The following relays have been deleted since the previous Model Year:

- Anti-lock braking system main, from the trunk
- Anti-lock braking system pump, from the passenger's scuttle
- Seat heater, from the driver's scuttle
- Transmission power, from the passenger's scuttle (4.0 L automatic Convertible) or the trunk (4.0 L automatic Coupe).

Fuse Identification Tables

Left (Passenger's Side Scuttle) Fuse Box – 4.0 Liter, Right-hand Steering

Number	Color	Rating (Amperes)	Circuit
1	Blue	15	Passenger seat control power
2	Red	10	Central door locking/Multifunction module
3	Yellow	20	LH air conditioning fan
4	Red	10	Radio memory
5	Red	10	Radio ignition
* 6	Tan	5	Direction indicators
* 7	Red	10	Inertia switch
8	Blue	15	Windshield wiper system
9	Red	10	Passenger seat heater
10	Yellow	20	Engine control module relay
* 11	Green	30	Anti-lock braking system valves
12	Yellow	20	Passenger seat control power
* 13	Tan	5	Transmission memory
14	Tan	5	Engine control module relay (coil)
* 15	Tan	5	Accessory connector
16	Yellow	20	Cigar lighter
17	Green	30	Headlamp power wash
* 18	Red	10	Sunroof/Accessory supply
19	Blue	15	Stop lights
* 20	Yellow	20	Engine management system power relay
21	-	-	Not used
22	Green	30	Anti-lock braking system pump

Right (Driver's Side Scuttle) Fuse Box – 4.0 Liter, Right-hand Steering

Number	Color	Rating (Amperes)	Circuit
1	Blue	15	Driver seat control power
2	Tan	5	Cruise control
3	Yellow	20	RH air conditioning fan
4	Tan	5	Air conditioning clutch relay
5	Blue	15	Horns
6	Tan	5	Interior lights
7	Tan	5	Air conditioning control
8	Red	10	Screen wash pump
9	Red	10	Driver seat heater
* 10	Tan	5	Anti-lock braking system control module
11	Red	10	Trunk lamps/(Caravan power)
12	Yellow	20	Driver seat control power
* 13	Tan	5	Trip computer memory
14	Tan	5	Electric mirrors/Door switch packs/Seat memory
* 15	Red	10	Heated screen wash jets
* 16	Tan	5	Trip computer ignition/Gear shift interlock ignition/Speed interface unit ignition
17	Green	30	Front window lifts
18	Red	10	Locate illumination
19	Red	10	Hazard warning
* 20	Tan	5	Radio telephone ignition
* 21	Tan	5	Radio telephone memory
22	Blue	15	Heated rear screen/Heated door mirrors

* = Change from previous Technical Guide

Left (Driver's Side Scuttle) Fuse Box – 4.0 Liter, Left-hand Steering

Number	Color	Rating (Amperes)	Circuit
1	Blue	15	Driver seat control power
2	Tan	5	Cruise control
3	Yellow	20	LH air conditioning fan
* 4	Red	10	Radio memory
5	Red	10	Radio ignition
6	Tan	5	Interior lights
7	Tan	5	Air conditioning control
8	Red	10	Screen wash pump
9	Red	10	Driver seat heater
* 10	Tan	5	Anti-lock braking system control module
11	Red	10	Trunk lamps/(Caravan power)
12	Yellow	20	Driver seat control power
* 13	Tan	5	Trip computer memory
14	Tan	5	Electric mirrors/Door switch packs/Seat memory
* 15	Red	10	Heated screen wash jets
* 16	Tan	5	Trip computer ignition/Gear shift interlock ignition/Speed interface unit ignition
17	Green	30	Front window lifts
* 18	Red	10	Locate illumination
* 19	Red	10	Hazard warning
* 20	Tan	5	Radio telephone ignition
* 21	Tan	5	Radio telephone memory
22	Blue	15	Heated rear screen/Heated door mirrors

Right (Passenger's Side Scuttle) Fuse Box – 4.0 Liter, Left-hand Steering

Number	Color	Rating (Amperes)	Circuit
1	Blue	15	Passenger seat control power
2	Red	10	Central door locking/Multifunction module
3	Yellow	20	RH air conditioning fan
4	Tan	5	Air conditioning clutch relay
5	Blue	15	Horns
* 6	Red	10	Direction indicators
* 7	Red	10	Inertia switch
8	Blue	15	Windshield wiper system
9	Red	10	Passenger seat heater
10	Yellow	20	Engine control module relay
* 11	Green	30	Anti-lock braking system valves
12	Yellow	20	Passenger seat control power
* 13	Tan	5	Transmission memory
14	Tan	5	Engine control module relay (coil)
* 15	Tan	5	Accessory connector
16	Yellow	20	Cigar lighter
17	Green	30	Headlamp power wash
* 18	Red	10	Accessory connector
19	Blue	15	Stop lights
* 20	Yellow	20	Engine management system power relay
21	-	-	Not used
22	Green	30	Anti-lock braking system pump

* = Change from previous Technical Guide

Left (Passenger's Side Scuttle) Fuse Box – 6.0 Liter, Right-hand Steering

Number	Color	Rating (Amperes)	Circuit
1	Blue	15	Passenger seat control power
2	Red	10	Central door locking/Multifunction module
3	Yellow	20	LH air conditioning fan
* 4	Red	10	Radio memory
5	Red	10	Radio ignition
* 6	Red	10	Direction indicators
* 7	Tan	5	Accessory connector
8	Blue	15	Windshield wiper system
9	Red	10	Passenger seat heater
10	Tan	5	Transmission memory
* 11	Green	30	Anti-lock braking system valves
12	Yellow	20	Passenger seat control power
13	Tan	5	Air injection solenoid/Hot start solenoid/Purge valves
14	Tan	5	Fuel injection control module memory
* 15	Tan	5	Air conditioning control
16	Yellow	20	Cigar lighter
17	Green	30	Headlamp power wash
* 18	Red	10	Accessory connector
19	Blue	15	Stop lights
20	Tan	5	Transmission shift solenoids
21	Tan	5	Transmission power
22	Green	30	Anti-lock braking system pump

Right (Driver's Side Scuttle) Fuse Box – 6.0 Liter, Right-hand Steering

Number	Color	Rating (Amperes)	Circuit
1	Blue	15	Driver seat control power
2	Tan	5	Cruise control
3	Yellow	20	RH air conditioning fan
* 4	Red	10	Air conditioning clutch relay
5	Blue	15	Horns
6	Tan	5	Interior lights
7	Blue	15	Engine management system ignition
8	Red	10	Screen wash pump
9	Red	10	Driver seat heater
* 10	Tan	5	Anti-lock braking system control module
11	Red	10	Trunk lamps/(Caravan power)
12	Yellow	20	Driver seat control power
13	Tan	5	Trip computer memory
14	Tan	5	Electric mirrors/Door switch packs/Seat memory
* 15	Red	10	Heated screen wash jets
* 16	Tan	5	Trip computer ignition/Gear shift interlock ignition/Speed interface unit ignition
17	Green	30	Front window lifts
* 18	Red	10	Locate illumination
19	Red	10	Hazard warning
* 20	Tan	5	Radio telephone ignition
* 21	Tan	5	Radio telephone memory
22	Blue	15	Heated rear screen/Heated door mirrors

* = Change from previous Technical Guide

Left (Driver's Side Scuttle) Fuse Box – 6.0 Liter, Left-hand Steering

Number	Color	Rating (Amperes)	Circuit
1	Blue	15	Driver seat control power
2	Tan	5	Cruise control
3	Yellow	20	LH air conditioning fan
* 4	Red	10	Radio memory
5	Red	10	Radio ignition
6	Tan	5	Interior lights
* 7	Red	10	Accessory connector
8	Red	10	Screen wash pump
9	Red	10	Driver seat heater
* 10	Tan	5	Anti-lock braking system control module
11	Red	10	Trunk lamps/(Caravan power)
12	Yellow	20	Driver seat control power
* 13	Tan	5	Trip computer memory
14	Tan	5	Electric mirrors/Door switch packs/Seat memory
* 15	Red	10	Heated screen wash jets
* 16	Tan	5	Trip computer ignition/Gear shift interlock ignition/Speed interface unit ignition
17	Green	30	Front window lifts
* 18	Red	10	Locate illumination
19	Red	10	Hazard warning
* 20	Tan	5	Radio telephone ignition
* 21	Tan	5	Radio telephone memory
22	Blue	15	Heated rear screen/Heated door mirrors

Right (Passenger's Side Scuttle) Fuse Box – 6.0 Liter, Left-hand Steering

Number	Color	Rating (Amperes)	Circuit
1	Blue	15	Passenger seat control power
2	Red	10	Central door locking/Multifunction module
3	Yellow	20	RH air conditioning fan
* 4	Red	10	Air conditioning clutch relay/Supplementary air valve
5	Blue	15	Horns
* 6	Red	10	Direction indicators
7	Blue	15	Engine management system ignition
8	Blue	15	Windshield wiper system
9	Red	10	Passenger seat heater
10	Tan	5	Transmission memory
* 11	Green	30	Anti-lock braking system valves
12	Yellow	20	Passenger seat control power
13	Tan	5	Air injection solenoid/Hot start solenoid/Purge valves
14	Tan	5	Fuel injection control module memory
15	Tan	5	Air conditioning control
16	Yellow	20	Cigar lighter
17	Green	30	Headlamp power wash
18	Blue	15	Sunroof/Accessory connector
19	Blue	15	Stop lights
20	Tan	5	Transmission shift solenoids
21	Tan	5	Transmission power
22	Green	30	Anti-lock braking system pump

* = Change from previous Technical Guide

Left Front (Engine Compartment) Fuse Box – 4.0 and 6.0 Liter, Left and Right-hand Steering

Number	Color	Rating (Amperes)	Circuit
1	Blue	15	Dim dip/Daytime running lamps
2	Blue	15	Front fog lamps
3	–	–	Not used
* 4	Blue	15	Radiator fan (4.0 liter)
	Green	30	Radiator fan (6.0 liter)
5	Red	10	LH main beam
6	Red	10	RH main beam
7	Tan	5	LH side lamps
8	Tan	5	RH side lamps
* 9	Red	10	LH dipped beam
* 10	Red	10	RH dipped beam
* 11	Natural (White)	25	Air pump (4.0 liter)
	–	–	Not used (6.0 liter)
12	Tan	5	Headlamp leveling

Right Rear (Trunk) Fuse Box – 4.0 and 6.0 Liter, Left and Right-hand Steering

Number	Color	Rating (Amperes)	Circuit
* 1	Red	10	Accessory connector
2	–	–	Not used (4.0 liter)
	Yellow	20	Fuel pump 2 (6.0 liter)
3	–	–	Not used (4.0 liter)
	Yellow	20	Main fuel injection relay (6.0 liter)
4	Tan	5	RH tail and licence plate RH lamps
5	Red	10	Rear fog lamps/Antenna motor
* 6	–	–	Not used
7	Tan	5	Reverse lamps
8	Tan	5	LH tail and licence plate LH lamps
9	Tan	5	Caravan RH tail
10	Tan	5	Caravan LH tail
* 11	Red	10	Fused feed
12	Yellow	20	Fuel pump 1

