



BY APPOINTMENT TO
HER MAJESTY QUEEN ELIZABETH II
MANUFACTURERS OF DAIMLER AND JAGUAR CARS
JAGUAR CARS LIMITED COVENTRY

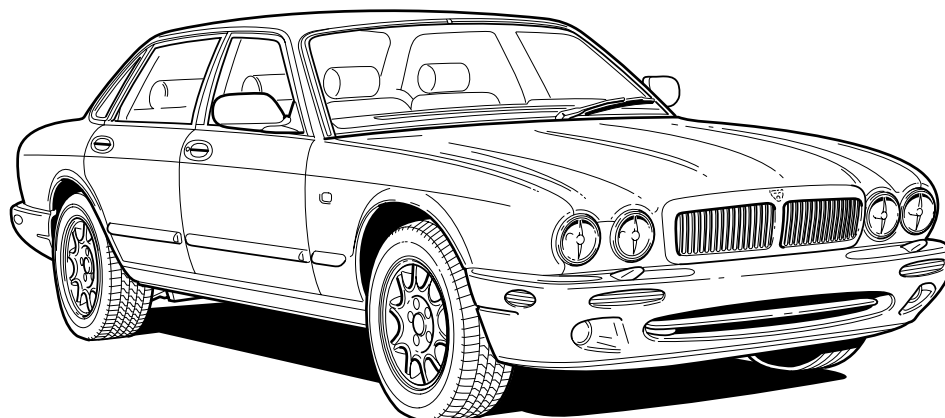


BY APPOINTMENT TO
HER MAJESTY QUEEN ELIZABETH
THE QUEEN MOTHER
MANUFACTURERS OF DAIMLER AND JAGUAR CARS
JAGUAR CARS LIMITED COVENTRY



BY APPOINTMENT TO
HIS ROYAL HIGHNESS THE PRINCE OF WALES
MANUFACTURERS OF DAIMLER AND JAGUAR CARS
JAGUAR CARS LIMITED COVENTRY

XJ Series Sedan 2001 Electrical Guide



Published by Parts and Service Communications
Jaguar Cars Limited

Publication Part Number – JJM 10 38 12/10





Electrical Guide Format

This Electrical Guide is made up of two major sections. The first section, at the front of the book, provides general information for and about the use of the book, and information and illustrations to aid in the understanding of the XJ Series electrical / electronic systems, as well as the location and identification of components.

The second section includes the Figures, which are the basis of the book. Each Figure is identified by a Figure Number (i.e. Fig. 01.1) and Title, and is accompanied by a page of data containing information specific to that Figure.

It is recommended that the user read through the front section of the book to develop a familiarity with the layout of the book and with the system of symbols and abbreviations used. The Table of Contents on the following pages should help to guide the user.

Standard Abbreviations

The following abbreviations are used throughout this Electrical Guide:

ACP	Audio Control Protocol Network
B+	Battery Voltage
CAN	Controller Area Network
DI	Direction Indicator
LH	Left-Hand
LHD	Left-Hand Drive
LWB	Long Wheelbase
N/A	Normally Aspirated
NAS	North American Specification
RH	Right-Hand
RHD	Right-Hand Drive
ROW	Rest of World
SC	Supercharged
SCP	Standard Corporate Protocol Network
VIN	Vehicle Identification Number

Vehicle Identification Numbers (VIN)

VIN ranges are presented throughout the book in the following manner:

→ VIN 123456 indicates "up to VIN 123456"; VIN 123456 → indicates "from VIN 123456 on".

XJ Series Electrical System

The vehicle electrical system is a ground side switched system. The ignition switch switches ground circuits on / off to complete system circuits and apply power. Circuits that require ignition switch position control are supplied with "ignition switched grounds". Both power grounds (high current consumers) and logic grounds (electronic switching circuits) are used throughout the system.

Three data networks are employed in the vehicle: a high speed Controller Area Network (CAN) for the engine, drive train and related systems, a Standard Corporate Protocol network (SCP) for the body systems, and an Audio Control Protocol network (ACP) for certain In-Car Entertainment and Telephone functions. Any vehicle subsystem depicted on the figures with the CAN or SCP included uses data derived from the network, or transmits data via the network to achieve control. Messages for both networks are cataloged in the Appendix of this book. In addition to the two networks, the vehicle uses a serial data bus (ISO) for diagnostics, security sounder operation and for the programming of certain control modules.



Table of Contents: Figures	3 – 4
Component Index	5 – 11
User Instructions	12 – 13
Symbols and Codes	14 – 17
Connectors	18 – 19
Main Power Distribution	20
Ground Point Location	21
Harness Layout	22 – 23
Control Module Location	24 – 25
Control Module Pin Identification	26 – 34
Relay and Fuse Box Location	35
Electrical Guide Figures and Data	follows after page 35 (pages are numbered by Figure number)
Appendix (CAN and SCP messages)	follows Figures and Data



FIGURES

Fig.	Description	Variant
01	Power Distribution	
01.1	Main Power Distribution	All Vehicles
01.2	Battery Power Distribution: LH and RH Heelboard Fuse Boxes	All Vehicles
01.3	Battery Power Distribution: Trunk, Engine Compartment and EMS Fuse Boxes	All Vehicles
01.4	Ignition Switched Power Distribution	All Vehicles
01.5	Engine Management Switched Power Distribution	All Vehicles
02	Ground Distribution	
02.1	Ignition Switched Ground Distribution	All Vehicles
03	Battery; Starter; Generator	
03.1	Battery, Starter, Generator: AJ27 N/A	AJ27 N/A Vehicles
03.2	Battery, Starter, Generator: AJ27 SC	AJ27 SC Vehicles
04	Engine Management	
04.1	AJ27 N/A Engine Management: Part 1	AJ27 N/A Vehicles
04.2	AJ27 N/A Engine Management: Part 2	AJ27 N/A Vehicles
04.3	AJ27 SC Engine Management: Part 1	AJ27 SC Vehicles
04.4	AJ27 SC Engine Management: Part 2	AJ27 SC Vehicles
05	Transmission	
05.1	AJ27 N/A Automatic Transmission	AJ27 N/A Vehicles
05.2	AJ27 SC Automatic Transmission	AJ27 SC Vehicles
05.3	Gearshift Interlock	All Vehicles
06	Chassis	
06.1	Anti-Lock Braking; Traction Control	All Vehicles
06.2	Power Assisted Steering	All Vehicles
06.3	Suspension Adaptive Damping	Adaptive Damping Vehicles
07	Climate Control	
07.1	Climate Control: Part 1	All Vehicles
07.2	Climate Control: Part 2	All Vehicles
08	Instrumentation; Audible Warnings	
08.1	Instrument Pack; Clock	All Vehicles
08.2	Audible Warnings	All Vehicles
09	Exterior Lighting	
09.1	Exterior Lighting: Front	All Vehicles
09.2	Exterior Lighting: Rear	All Vehicles
09.3	Headlamp Leveling	Headlamp Leveling Vehicles
10	Interior Lighting	
10.1	Interior Lighting; Garage Door Opener	All Vehicles
10.2	Dimmer Controlled Lighting	All Vehicles



FIGURES

Fig.	Description	Variant
11	Steering Column; Mirrors	
11.1	Steering Column Movement	Powered Column Vehicles
11.2	Mirror Movement: Memory	Memory Vehicles
11.3	Mirror Movement: Non-Memory	Non-Memory Vehicles
11.4	Interior and Exterior Mirrors; Fold-Back Mirrors	All Vehicles
12	Seat Systems	
12.1	Driver Seat: Memory	Driver Memory Seat Vehicles
12.2	Driver Seat: 5-Way Powered	Driver 5-Way Powered Seat Vehicles
12.3	Driver Seat: Raise / Lower	Driver Raise / Lower Seat Vehicles
12.4	Passenger Seat: 5-Way Powered	Passenger 5-Way Powered Seat Vehicles
12.5	Passenger Seat: 5-Way Powered / LWB	LWB Powered Rear Seat Vehicles
12.6	Heaters Only Front Passenger Seat	Heaters Only Front Seat Vehicles
12.7	Rear Seats: Powered	LWB Powered Rear Seat Vehicles
12.8	Rear Seat Heaters: Powered Rear Seats	Powered Heated Rear Seat Vehicles
12.9	Rear Seat Heaters	Heaters Only Rear Seat Vehicles
13	Door Locking	
13.1	Central Door Locking: ROW	ROW Vehicles
13.2	Central Door Locking: NAS	NAS Vehicles
14	Wash / Wipe System	
14.1	Wash / Wipe System	All Vehicles
15	Window Lifts; Sliding Roof	
15.1	Window Lifts, Sliding Roof	All Vehicles
16	In-Car Entertainment (ICE)	
16.1	Standard In-Car Entertainment	Standard ICE Vehicles
16.2	Premium In-Car Entertainment	Premium ICE Vehicles
17	Communications; Navigation	
17.1	Cellular Telephone: Portable	NAS Vehicles
17.2	Cellular Telephone: Fixed	ROW Vehicles
17.3	Navigation System	Navigation Vehicles
18	Supplementary Restraint System	
18.1	Airbags / Seat Belt Pre-tensioners	All Vehicles
19	Driver Assist	
19.1	Reverse Parking Aid System	All Vehicles
20	Ancillaries	
20.1	Ancillaries: Horns; Accessory Connectors; Cigar Lighters; Electronic Road Pricing	All Vehicles
21	Vehicle Multiplex Systems	
21.1	CAN and SCP Networks	All Vehicles
21.2	Serial Data Links	All Vehicles



A/C/CCM: Air Conditioning Control Module	Fig. 04.2	Body Processor Module	Fig. 01.1
.....	Fig. 04.4	Fig. 03.1
ABS / Traction Control Control Module	Fig. 06.1	Fig. 03.2
.....	Fig. 20.1	Fig. 05.3
Accelerometers	Fig. 06.3	Fig. 08.2
Active Security Sounder	Fig. 13.3	Fig. 09.1
Adaptive Damping Control Module	Fig. 06.3	Fig. 09.2
.....	Fig. 20.2	Fig. 10.1
Air Assist Close Valve	Fig. 04.1	Fig. 11.1
Air Conditioning Compressor Clutch	Fig. 04.2	Fig. 11.2
.....	Fig. 04.4	Fig. 11.3
.....	Fig. 07.2	Fig. 11.4
Air Conditioning Control Module	Fig. 07.1	Fig. 12.1
.....	Fig. 07.2	Fig. 12.2
.....	Fig. 20.2	Fig. 12.3
Air Conditioning Control Panel	Fig. 07.2	Fig. 12.4
.....	Fig. 07.1	Fig. 12.5
.....	Fig. 10.2	Fig. 12.6
.....	Fig. 20.2	Fig. 13.1
Airbag / SRS Single Point Sensor	Fig. 18.1	Fig. 13.2
.....	Fig. 20.2	Fig. 13.3
Airbags	Fig. 18.1	Fig. 13.4
Ambient Temperature Sensor	Fig. 07.1	Fig. 14.1
Analog Clock	Fig. 08.1	Fig. 15.1
.....	Fig. 10.2	Fig. 19.1
Antenna Motor	Fig. 16.1	Fig. 20.1
.....	Fig. 16.2	Fig. 20.2
Aspirator Assembly	Fig. 07.1	Brake Cancel Switch	Fig. 04.2
Audible Warning Speaker (Column Switchgear)	Fig. 08.2	Fig. 04.4
Auto Tilt Switch (Column Switchgear)	Fig. 11.1	Brake Fluid Reservoir	Fig. 06.1
Battery	Fig. 01.1	Brake Switch	Fig. 04.1
.....	Fig. 03.1	Fig. 04.3
.....	Fig. 03.2	Fig. 05.3
Blower Air Intake	Fig. 07.1	Fig. 06.1
Blower Motors	Fig. 07.2	Fig. 06.3
		Fig. 09.2
		CCV: Canister Close Valve	Fig. 04.1
		Fig. 04.3
		CD Auto-Changer	Fig. 16.1
		Fig. 16.2
		Fig. 17.3
		Cellular Phone Control Module	Fig. 17.1
		Fig. 17.2
		Center Console Switch Pack	Fig. 09.1
		Fig. 09.2
		Fig. 10.2
		Central Locking Switch (Center Console Switch Pack)	Fig. 13.1
		Fig. 13.2
		Fig. 13.3
		Fig. 13.4
		Fig. 15.1
		Cigar Lighter – Front & Rear	Fig. 10.2
		Fig. 19.1
		CKPS: Crankshaft Position Sensor	Fig. 04.1
		Fig. 04.3
		CMPS: Camshaft Position Sensors	Fig. 04.1
		Fig. 04.3



Column Joystick (Column Switchgear)	Fig. 11.1	Door Lock Actuators	Fig. 13.1
Coolant Level Switch	Fig. 08.1	Fig. 13.2
Cruise Control On / Off Switch	Fig. 04.2	Door Lock Switches – Driver	Fig. 10.1
.....	Fig. 04.4	Fig. 13.1
.....	Fig. 10.2	Fig. 13.2
Cruise Control Switches (Steering Wheel)	Fig. 04.2	Fig. 13.3
.....	Fig. 04.4	Fig. 13.4
.....		Fig. 15.1
D – 4 Switch	Fig. 05.1	Door Mirror Motors	Fig. 11.2
Damper Solenoids	Fig. 06.3	Fig. 11.3
Data Link Connector	Fig. 20.1	Door Mirrors	Fig. 07.2
.....	Fig. 20.2	Fig. 11.4
Dimmer Control	Fig. 10.2	Door Switch – Driver	Fig. 10.1
Dimmer Module	Fig. 10.2	Fig. 11.1
Direction Indicator Lamps	Fig. 09.1	Fig. 11.2
Door Control Module – Driver	Fig. 10.1	Fig. 13.1
.....	Fig. 11.1	Fig. 13.2
.....	Fig. 11.2	Fig. 13.3
.....	Fig. 11.3	Fig. 13.4
.....	Fig. 11.4	Door Switch – Driver Rear	Fig. 10.1
.....	Fig. 12.1	Fig. 13.1
.....	Fig. 12.2	Fig. 13.2
.....	Fig. 12.3	Fig. 13.3
.....	Fig. 13.1	Fig. 13.4
.....	Fig. 13.2	Door Switch – Passenger	Fig. 10.1
.....	Fig. 13.3	Fig. 13.1
.....	Fig. 13.4	Fig. 13.2
.....	Fig. 15.1	Fig. 13.3
.....	Fig. 20.1	Fig. 13.4
Door Control Module – Driver Rear	Fig. 10.1	Door Switch – Passenger Rear	Fig. 10.1
.....	Fig. 11.1	Fig. 13.1
.....	Fig. 11.2	Fig. 13.2
.....	Fig. 11.3	Fig. 13.3
.....	Fig. 12.1	Fig. 13.4
.....	Fig. 12.2	Dual Linear Switch	Fig. 03.2
.....	Fig. 12.3	Fig. 05.2
.....	Fig. 13.1	‘E’ Post Lamps	Fig. 10.1
.....	Fig. 13.2	ECM and TCM Cooling Fan	Fig. 04.1
.....	Fig. 13.3	Fig. 04.3
.....	Fig. 13.4	ECTS: Engine Coolant Temperature Sensor	Fig. 04.1
.....	Fig. 15.1	Fig. 04.3
.....	Fig. 20.1	EGR Valve	Fig. 04.3
Door Control Module – Passenger	Fig. 10.1	Engine Compartment Security Switch	Fig. 13.3
.....	Fig. 11.2		
.....	Fig. 11.3		
.....	Fig. 13.1		
.....	Fig. 13.2		
.....	Fig. 13.3		
.....	Fig. 13.4		
.....	Fig. 15.1		
.....	Fig. 20.1		
.....	Fig. 20.2		
Door Control Module – Passenger Rear	Fig. 10.1		
.....	Fig. 13.1		
.....	Fig. 13.2		
.....	Fig. 13.3		
.....	Fig. 13.4		
.....	Fig. 15.1		
.....	Fig. 20.1		



Engine Control Module	Fig. 03.1	Fuse Box – Trunk	Fig. 01.1
.....	Fig. 03.2	Fig. 01.3
.....	Fig. 04.1	Fig. 01.4
.....	Fig. 04.2	Fig. 04.2
.....	Fig. 04.3	Fig. 04.4
.....	Fig. 04.4	Fig. 07.2
.....	Fig. 05.3	Fig. 09.2
.....	Fig. 07.2	Fig. 19.1
.....	Fig. 13.3		
.....	Fig. 13.4	Garage Door Opener	Fig. 10.1
.....	Fig. 20.1		
.....	Fig. 20.2	Gear Selector Illumination Module	Fig. 05.1
		Fig. 05.2
EOTS: Engine Oil Temperature Sensor	Fig. 04.1	Fig. 05.3
.....	Fig. 04.3	Fig. 10.2
		Fig. 20.1
Evaporator / Heater Matrix Assembly	Fig. 07.1		
EVAPP: EVAP Canister Purge Valve	Fig. 04.1	Gearshift Interlock Solenoid	Fig. 05.3
.....	Fig. 04.3		
		Generator	Fig. 03.1
Fascia Switch Pack	Fig. 10.2	Fig. 03.2
Fog Lamp Switches	Fig. 09.1		
.....	Fig. 09.2	Glove Box Lamp	Fig. 10.1
.....	Fig. 10.2		
Fog Lamps – Front	Fig. 09.1	Headlamp Leveling Actuators	Fig. 09.3
FTPS: Fuel Tank Pressure Sensor	Fig. 04.1	Headlamp Leveling Switch (Fascia Switch Pack)	Fig. 09.3
.....	Fig. 04.3		
		Heated Backlight	Fig. 07.2
Fuel Filler Flap Lock Actuator	Fig. 13.1	Heater Pump	Fig. 07.2
.....	Fig. 13.2		
		Heater Valve	Fig. 07.2
Fuel Injectors	Fig. 04.2	High Mounted Stop Lamp	Fig. 09.2
.....	Fig. 04.4		
		High Power Protection Module	Fig. 01.1
Fuel Level Sensor	Fig. 08.1	Fig. 03.1
		Fig. 03.2
Fuel Pump 1	Fig. 04.2		
.....	Fig. 04.4	HO2S: Heated Oxygen Sensors	Fig. 04.1
		Fig. 04.3
Fuel Pump 2	Fig. 04.4		
		Horn Switches (Steering Wheel)	Fig. 19.1
Fuse Box – Engine Compartment	Fig. 01.1		
.....	Fig. 01.3	Horns	Fig. 13.3
.....	Fig. 01.4	Fig. 13.4
.....	Fig. 07.2	Fig. 19.1
.....	Fig. 09.1		
.....	Fig. 13.3	IATS 2: Intake Air Temperature Sensor 2	Fig. 04.3
.....	Fig. 13.4		
.....	Fig. 14.1	Ignition Coils	Fig. 04.2
.....	Fig. 19.1	Fig. 04.4
Fuse Box – Engine Management	Fig. 01.1	Ignition Switch	Fig. 02.1
.....	Fig. 01.3	Fig. 03.1
.....	Fig. 01.5	Fig. 03.2
Fuse Box – LH Heelboard	Fig. 01.1	Ignition Switch (Key-In Switch)	Fig. 10.1
.....	Fig. 01.2	Fig. 11.1
.....	Fig. 01.4	Fig. 13.1
		Fig. 13.2
Fuse Box – RH Heelboard	Fig. 01.1	Impact Sensors	Fig. 18.1
.....	Fig. 01.2		
.....	Fig. 01.4	Inclination Sensor	Fig. 13.3
		Fig. 13.4
		Inertia Switch	Fig. 02.1



Instrument Pack	Fig. 05.3	Navigation Control Module	Fig. 17.3
.....	Fig. 08.1	Navigation GPS Antenna	Fig. 17.3
.....	Fig. 09.1	Neutral Switch	Fig. 03.1
.....	Fig. 09.2	Not-In-Park Microswitch	Fig. 05.3
.....	Fig. 10.2	Fig. 11.1
.....	Fig. 11.2	Fig. 11.2
.....	Fig. 11.4	Fig. 13.1
.....	Fig. 12.1	Fig. 13.2
.....	Fig. 13.3	Number Plate Lamps	Fig. 09.2
.....	Fig. 13.4	Oil Pressure Switch	Fig. 08.1
.....	Fig. 15.1	Parking Aid Sensors	Fig. 19.1
.....	Fig. 16.1	Parking Aid Sounder	Fig. 19.1
.....	Fig. 16.2	Parking Brake Switch	Fig. 04.1
.....	Fig. 17.3	Fig. 04.3
.....	Fig. 20.1	Passenger Compartment Accessory Connector	Fig. 19.1
Intercooler Pump	Fig. 04.4	Passive Security Sounder	Fig. 13.3
Interior Rear View Mirror	Fig. 11.4	Fig. 13.4
.....	Fig. 14.1	Power Amplifier	Fig. 16.2
Intrusion Sensors	Fig. 13.3	Fig. 17.3
.....	Fig. 13.4	Power Assisted Steering Control Module	Fig. 06.2
Key Fob Antenna	Fig. 13.1	Power Wash Pump	Fig. 14.1
.....	Fig. 13.2	PPS: Pedal Position Sensors	Fig. 04.1
.....	Fig. 13.3	Fig. 04.3
.....	Fig. 13.4	Puddle Lamps	Fig. 10.1
.....	Fig. 15.1	Radiator Fan Control Relay Module	Fig. 04.2
Key Transponder Module	Fig. 03.1	Fig. 04.4
.....	Fig. 03.2	Fig. 07.2
.....	Fig. 13.3	Radiator Fans	Fig. 04.2
.....	Fig. 13.4	Fig. 04.4
.....	Fig. 20.2	Fig. 07.2
Keylock Solenoid (Column Switchgear)	Fig. 05.3	Radio / Cassette Head Unit	Fig. 10.2
Kickdown Switch	Fig. 05.2	Fig. 16.1
KS: Knock Sensors	Fig. 04.1	Fig. 16.2
.....	Fig. 04.3	Fig. 17.3
Lamp Unit s – Rear	Fig. 09.2	Radio Antenna	Fig. 16.2
Lamp Units – Front	Fig. 09.1	Fig. 16.1
Lighting Stalk (Column Switchgear)	Fig. 09.1	Fig. 16.1
.....	Fig. 09.2	Radio Control Switches (Steering Wheel)	Fig. 16.1
.....	Fig. 10.2	Fig. 16.2
.....	Fig. 11.4	Radio Telephone Connector	Fig. 16.1
.....	Fig. 14.1	Fig. 16.2
MAFS: Mass Air Flow Sensor	Fig. 04.1	Rain Sensing Module	Fig. 14.1
.....	Fig. 04.3	Rain Sensor	Fig. 14.1
MAPS: Manifold Absolute Pressure Sensor	Fig. 04.3	Reader / Exciter Coil	Fig. 13.3
Memory Switches (Driver Door Switch Pack)	Fig. 11.1	Fig. 13.4
.....	Fig. 11.2	Rear Side Markers (NAS Only)	Fig. 09.2
.....	Fig. 12.1	Rear Window Inhibit Switch (Driver Door Switch Pack)	Fig. 15.1
Mirror Joystick (Driver Door Switch Pack)	Fig. 11.2	Recline Switch – Passenger Rear	Fig. 12.5
.....	Fig. 11.3		
.....	Fig. 11.4		
Mirror Select Switch (Driver Door Switch Pack)	Fig. 11.2		
.....	Fig. 11.3		
.....	Fig. 11.4		
Mode Switch (Transmission)	Fig. 05.1		
.....	Fig. 05.2		
.....	Fig. 10.2		



Refrigerant 4-Way Pressure Switch	Fig. 04.2	Relay – Seat Raise	Fig. 12.3
.....	Fig. 04.4	Relay – Side Marker and Number Plate Lamp	Fig. 09.2
.....	Fig. 07.2	Relay – Starter	Fig. 03.1
Regulator (Generator)	Fig. 03.1	Fig. 03.2
.....	Fig. 03.2	Relay – Stop Lamp	Fig. 09.2
Relay – Accessory Connector	Fig. 20.1	Relay – Throttle Motor Power	Fig. 04.1
Relay – Air Conditioning Compressor Clutch	Fig. 04.2	Fig. 04.3
.....	Fig. 04.4	Relay – Wiper Fast / Slow	Fig. 14.1
.....	Fig. 07.2	Relay – Wiper Run / Stop	Fig. 14.1
Relay – Air Conditioning Isolate	Fig. 07.1	Relays – Blower Motor	Fig. 07.2
Relay – Auxiliary Positive	Fig. 01.1	Relays – Ignition Positive	Fig. 01.1
Relay – Dip Beam	Fig. 09.1	Relays – Windshield Heater	Fig. 07.2
Relay – Door Locking	Fig. 13.1	Reverse Parking Aid Control Module	Fig. 19.1
.....	Fig. 13.2	Roof Console	Fig. 10.2
Relay – Door Mirror Heater	Fig. 07.2	Seat Belt Pretensioners	Fig. 18.1
Relay – Driver Seat Heater	Fig. 12.1	Seat Belt Switch	Fig. 08.2
.....	Fig. 12.2	Seat Control Module – Driver	Fig. 12.1
.....	Fig. 12.3	Fig. 12.2
Relay – EMS Control	Fig. 01.1	Fig. 20.1
Relay – Fold-Back	Fig. 11.4	Seat Control Module – Passenger	Fig. 12.4
Relay – Fold-Out	Fig. 11.4	Fig. 12.5
Relay – Front Fog	Fig. 09.1	Fig. 20.1
Relay – Fuel Filler Flap Lock	Fig. 13.1	Seat Control Module – Rear	Fig. 12.7
.....	Fig. 13.2	Seat Cushion Heater – LH Rear & RH Rear	Fig. 12.8
Relay – Fuel Injection	Fig. 04.2	Fig. 12.9
.....	Fig. 04.4	Seat Cushion Heaters – Driver	Fig. 12.1
Relay – Fuel Pump 1	Fig. 04.2	Fig. 12.2
.....	Fig. 04.4	Fig. 12.3
Relay – Fuel Pump 2	Fig. 04.4	Seat Cushion Heaters – Passenger	Fig. 12.4
Relay – Heated Backlight (#2)	Fig. 07.2	Fig. 12.5
Relay – Heater Pump (#1)	Fig. 07.2	Fig. 12.6
Relay – Horn	Fig. 13.3	Seat Fore / Aft Motors – Rear	Fig. 12.7
.....	Fig. 13.4	Seat Fore / Aft Switches – Rear	Fig. 12.5
.....	Fig. 20.1	Fig. 12.7
Relay – Ignition Coil	Fig. 04.2	Seat Headrest Motors –Rear	Fig. 12.7
.....	Fig. 04.4	Seat Headrest Switches –Rear	Fig. 12.7
Relay – Intercooler Pump	Fig. 04.4	Seat Heater Switches (Center Console Switch Pack)	Fig. 12.1
Relay – LH Lumbar Deflate	Fig. 12.7	Fig. 12.2
Relay – Main Beam	Fig. 09.1	Fig. 12.3
Relay – O2S Heaters	Fig. 04.1	Fig. 12.4
.....	Fig. 04.3	Fig. 12.5
Relay – Passenger Seat Heater	Fig. 12.4	Fig. 12.6
.....	Fig. 12.5	Seat Heater Switches – Rear (LWB Vehicles)	Fig. 12.8
.....	Fig. 12.6	Fig. 12.9
Relay – Powerwash	Fig. 14.1	Seat Heater Timers – Rear	Fig. 12.8
Relay – Seat Lower	Fig. 12.3	Fig. 12.9



Seat Lumbar Pump – Driver	Fig. 12.1	Suppression Module	Fig. 03.1
.....	Fig. 12.2	Fig. 03.2
Seat Lumbar Pump – Passenger	Fig. 12.4	Switch Pack – Driver Door	Fig. 10.2
.....	Fig. 12.5	Switch Pack – Driver Rear Door	Fig. 10.2
Seat Lumbar Pumps – Rear	Fig. 12.7	Fig. 15.1
Seat Lumbar Switches – Rear	Fig. 12.7	Switch Pack – Driver Seat	Fig. 12.1
Seat Motors – Driver	Fig. 12.1	Fig. 12.2
.....	Fig. 12.2	Switch Pack – Driver Seat (Raise / Lower Only)	Fig. 12.3
.....	Fig. 12.3	Switch Pack – Passenger Door	Fig. 10.2
Seat Motors – Passenger	Fig. 12.4	Fig. 15.1
.....	Fig. 12.5	Switch Pack – Passenger Rear Door	Fig. 10.2
Seat Squab Heaters – Driver	Fig. 12.1	Fig. 15.1
.....	Fig. 12.2	Switch Pack – Passenger Seat	Fig. 12.4
.....	Fig. 12.3	Fig. 12.5
Seat Squab Heaters – Passenger	Fig. 12.4	Telephone Antenna	Fig. 17.1
.....	Fig. 12.5	Fig. 17.2
.....	Fig. 12.6	Telephone Handsets	Fig. 17.1
Seat Squab Heaters – Rear	Fig. 12.8	Fig. 17.2
.....	Fig. 12.9	Telephone Microphone	Fig. 17.1
Security Active Indicator (Gear Selector Illumination Module) ..	Fig. 13.3	Fig. 17.2
.....	Fig. 13.4	Throttle Motor	Fig. 04.1
Security and Locking Control Module	Fig. 09.2	Fig. 04.3
.....	Fig. 13.1	TPS: Throttle Position Sensors	Fig. 04.1
.....	Fig. 13.2	Fig. 04.3
.....	Fig. 13.3	Trailer Connector	Fig. 09.2
.....	Fig. 13.4	Transit Isolation Device	Fig. 01.1
.....	Fig. 15.1	Transmission Control Module: AJ27 N/A	Fig. 05.1
Side Airbags	Fig. 18.1	Fig. 20.1
Side DI Repeaters (ROW Only)	Fig. 09.1	Transmission Control Module: AJ27 SC	Fig. 05.2
Side Markers –Front (NAS Only)	Fig. 09.1	Fig. 20.1
Sliding Roof Control Module	Fig. 15.1	Transmission Rotary Switch	Fig. 05.1
Sliding Roof Motor	Fig. 15.1	Transmission: AJ27 N/A	Fig. 05.1
Sliding Roof Switch (Roof Console)	Fig. 15.1	Transmission: AJ27 SC	Fig. 05.2
Solar Sensor	Fig. 07.1	Trip Computer Switch Pack	Fig. 08.1
Speakers – ‘A’ Post Tweeter	Fig. 16.1	Fig. 10.2
.....	Fig. 16.2	Trip Cycle Switch (Column Switchgear)	Fig. 08.1
Speakers – Front Door Mid-Bass	Fig. 16.1	Trunk Accessory Connector	Fig. 19.1
.....	Fig. 16.2	Trunk Lamps	Fig. 10.1
Speakers – Front Door Tweeter	Fig. 16.1		
Speakers – Rear Door Mid-Bass	Fig. 16.1		
.....	Fig. 16.2		
Speakers – Rear Door Tweeter	Fig. 16.1		
.....	Fig. 16.2		
Stability / Traction Control Switch	Fig. 06.1		
Starter Motor	Fig. 03.1		
.....	Fig. 03.2		
Steering Column Motors	Fig. 11.1		
Subwoofer	Fig. 16.2		



Trunk Release Actuator Fig. 13.1
..... Fig. 13.2

Trunk Release Switches Fig. 13.1
..... Fig. 13.2

Trunk Switch Fig. 10.1
..... Fig. 13.1
..... Fig. 13.2
..... Fig. 13.3
..... Fig. 13.4

Valet Switch (Center Console Switch Pack) Fig. 13.1
..... Fig. 13.2
..... Fig. 13.3
..... Fig. 13.4

Vanity Lamps Fig. 10.1

Variable Steering Converter Fig. 06.2

Variable Valve Timing Solenoid Valves (VVT Solenoid Valves) .. Fig. 04.1

Wash / Wipe Stalk (Column Switchgear) Fig. 14.1

Wheel Speed Sensors Fig. 06.1

Window Lift Motors Fig. 15.1

Window Lift Switches (Driver Door Switch Pack) Fig. 15.1

Windshield Heaters Fig. 07.2

Windshield Wash Pump and Fluid Level Sensor Fig. 14.1

Wiper Motor Fig. 14.1



Figure and Data Page Layout

Figure Pages

Each Figure represents a specific electrical system of the vehicle. The Figures are arranged numerically by system (**01 – Power Distribution**, **02 – Ground Distribution**, etc.) with variations in the system identified by a numeral following a decimal point (**01.1**, **01.2**, etc.). Refer to the Table of Contents for a complete list of the Figures.

The Figures **01 – Power Distribution** detail the distribution of power to each of the systems. Numbered reference symbols refer the user to a specific Figure and from a specific Figure back to the Power Distribution Figures. This method eliminates the need to include detailed Power Distribution information on each of the Figures. Similarly, the Figure **02 – Ground Distribution** details the ignition switched ground distribution. The reference symbols are defined on page 14.

Each Figure appears on a right-hand page with a corresponding Data page to the left. The Figure and Data pages are folding pages. The user must fold out both pages in order to access all the information provided.

Data Pages

The Data page includes information to assist the user in identifying and locating components, connectors and grounds. This information is supplemented by the illustrations in this front section of the book.

When network data is required for the understanding of a particular circuit, the user is directed to the Appendix.

Where circuits include a Control Module, Pin Out information is provided with values for “active” and “inactive” states. The values listed are approximately those that can be expected at the control module connector pins with all circuit connections made and all components connected and fitted. “Active” means a load is applied or a switch is ON; “inactive” means a load is not applied or a switch is OFF. This information is provided to assist the user in understanding circuit operation and should be used FOR REFERENCE ONLY.



NOTE: In the examples shown on this page, an 'X' is used where a number would appear on an actual Figure.

Reference Symbols

Reference symbols are used for three purposes:

- to allow the user to complete the individual system circuit to power supply or ground
- to refer the user to a related circuit
- to identify control module inputs, outputs and signal grounds

 **Battery Power Supply**

This symbol represents a direct battery power supply and refers the user to Figure 01.1, 01.2 or 01.3.

   **Ignition Switched Power Supply**

This symbol represents ignition switched power supply and refers the user to Figure 01.1, 01.4 or 01.5.

The suffix I indicates auxiliary power. Power is supplied in ignition switch key positions I (AUXILIARY) and II (IGNITION).

The suffix II indicates ignition power. Power is supplied in ignition switch key positions II (IGNITION) and III (ENGINE CRANK).

The suffix E indicates engine management switched power. Power is supplied in ignition switch key positions II (IGNITION) and III (ENGINE CRANK) under ECM control.

   **Ignition Switched Ground**

This symbol represents an ignition switched ground and refers the user to Figure 02.1.

This symbol without a suffix indicates CRANK. Ground is completed in ignition switch key position III (ENGINE CRANK).

The suffix I indicates auxiliary ground. Ground is completed in ignition switch key positions I (AUXILIARY) and II (IGNITION).

The suffix II indicates ignition ground. Ground is completed in ignition switch key positions II (IGNITION) and III (ENGINE CRANK).

  **Figure Number Reference Flag**

This symbol refers the reader to a figure number only. It does not refer to a flag with the same number on a different figure.

As used in Figures 01.1 through 02.1, the reference flag refers the user to a continuation of the circuit. In this instance, the user matches the number to a Power Supply or Ground symbol to trace the circuit.

In most other cases, it is not necessary to refer to another figure for completion of a circuit, as the reference flags are used to indicate parallel circuits and circuits that share components. Most of the circuits where this situation occurs are overlapped to avoid the necessity for cross-referencing to another figure. Exceptions to this rule are instances where signals are transmitted to or received from other system circuits. When circuits are not overlapped, they are noted by (CIRCUIT CONTINUED).

BPM Because the Body Processor Module appears numerous times, the abbreviation BPM is used in the reference flags on Figures 01.2 and 02.1 in order to conserve space.

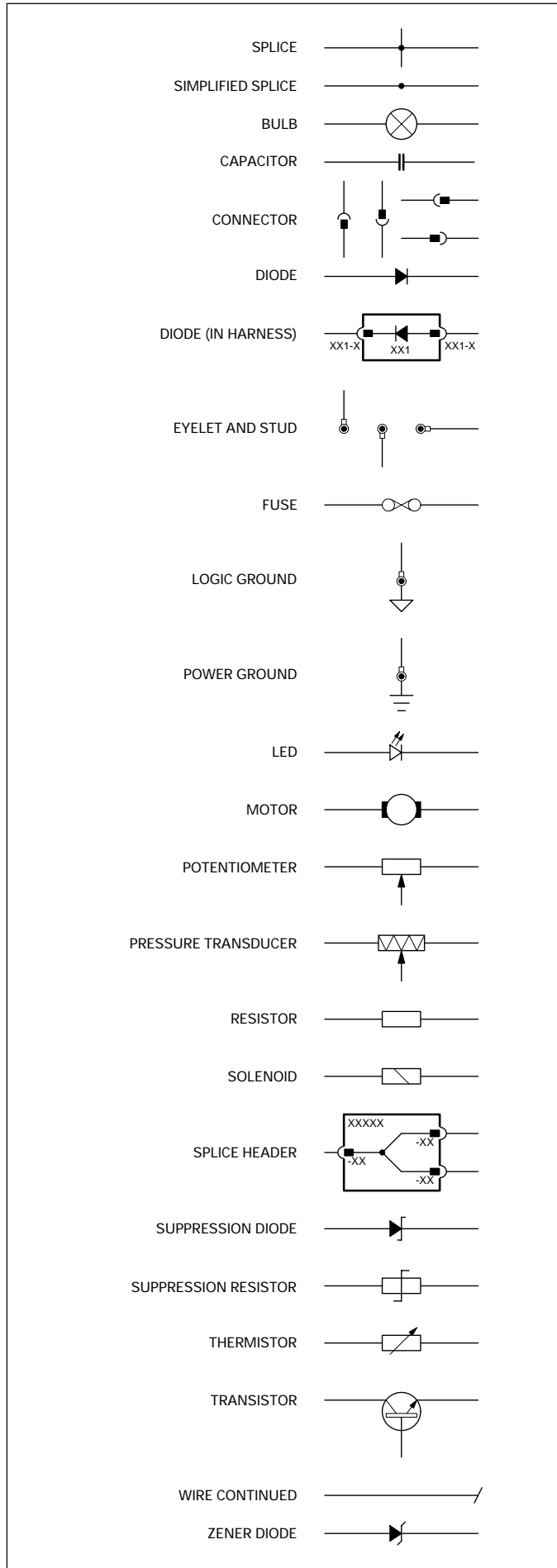
Control Module Input, Output, Data Link, Signal Ground and Network(s)

- | | | | |
|---|---|---|---|
|  Input |  Sensor Supply V |  ACP |  SCP |
|  Output |  Sensor Ground |  CAN |  Serial and Encoded Data |

These six symbols are employed to assist the user in visualizing the 'logic' of circuits containing control modules. The symbols identify control module input, output, data link, signal ground and network pins. These symbols are also employed on the corresponding data page.



Wiring Symbols



Wiring Color Codes

N	Brown	O	Orange
B	Black	S	Slate
W	White	L	Light
K	Pink	U	Blue
G	Green	P	Purple
R	Red	BRD	Braid
Y	Yellow		

When a wire has two color code letters, the first letter indicates the main color and the subsequent letter indicates the tracer color.

Wiring Harness Codes

Code	Description
AN	Generator link harness
BB	Rear seat motors and heaters harness
BC	Rear seat center console harness
BL	Bumper harness – LH front
BR	Bumper harness – RH front
BS	Rear seat link harness
BT	Trunk harness
CA	Cabin harness
CC	Center console harness
CF	Radiator cooling fan harness
DD	Driver door harness
EM	Engine management harness
FC	Fascia harness
FL	Axle harness – LH front
FP	Fuel tank pressure sensor link harness
FR	Axle harness – RH front
GB	Transmission harness
HP	Steering wheel horn switch harness
IC	In-car entertainment harness
IJ	Fuel injector harness – supercharged
LA	Axle harness – LH rear
LF	Forward harness
LL	Power steering link harness
PD	Passenger door harness
PI	Engine harness
RA	Axle harness – RH rear
RD	Rear driver door harness
RP	Rear passenger door harness
RT	Radio telephone harness
SC	Steering column switchgear harness
SD	Driver seat harness
SH	Windshield heater link harness
SP	Passenger seat harness
SR	Sliding roof motor link harness
ST	Main power harness
SW	Steering wheel harness

Code Numbering

When numbering connectors, grounds and splices, Jaguar Engineering uses a three-position format: CA001, CA002, etc. Because space is limited in this Electrical Guide, the codes have been shortened. Thus CA001-001 becomes CA1-1, CA002-001 becomes CA2-1, etc.



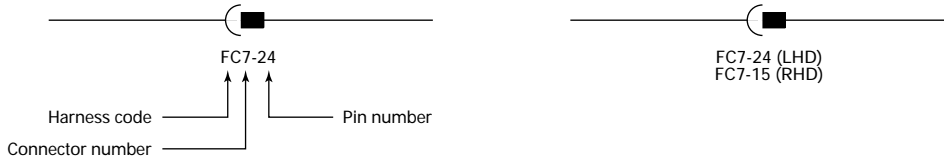
Harness Component Numbers

Connectors

HARNESS CODE + CONNECTOR NUMBER + PIN NUMBER

EXAMPLE: FC7-24 (pin number is separated by a dash)

Where the pin number differs from LHD to RHD, the connector number will be further identified by (LHD) or (RHD).

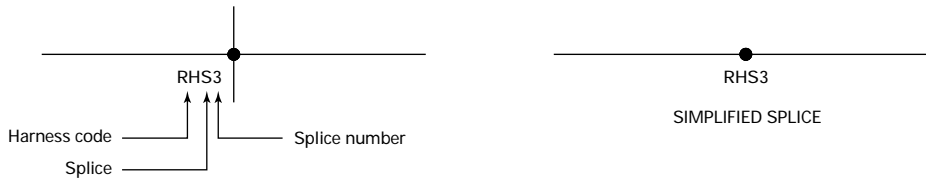


Splices

HARNESS CODE + S (SPLICE) + SPLICE NUMBER

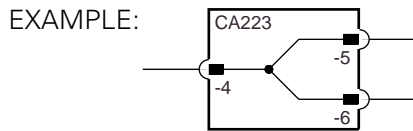
EXAMPLE: RHS3 (no dash is used)

NOTE: In order to avoid unnecessary circuit complication, multiple splices (more than two wires) within components, in wires leading from input components to multiple circuits and in harness 'ground' sides, are simplified so as not to show wires from other circuits.



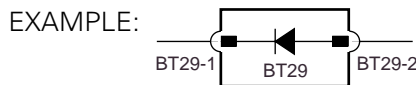
Splice Headers

Three non-serviceable splice headers are used in the system harness. Splice headers are depicted as components and identified by a connector number within the component. The splice header number appears at the upper left hand corner; pin numbers appear adjacent to each pin.



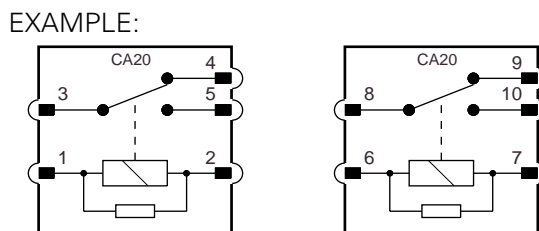
Diodes

Harness diodes occur at connectors and are depicted as components and identified by a connector number.



Relay Connectors

Relay connector numbers are shown within the relay. The connector number is shown in the upper portion of the relay; the pin (terminal) number is shown adjacent to the pin. Certain relays are paired and share a modular connector. In this instance, the connector number remains the same for both relays while the pin numbers of the second relay are identified by numbers 6 – 10.





Grounds

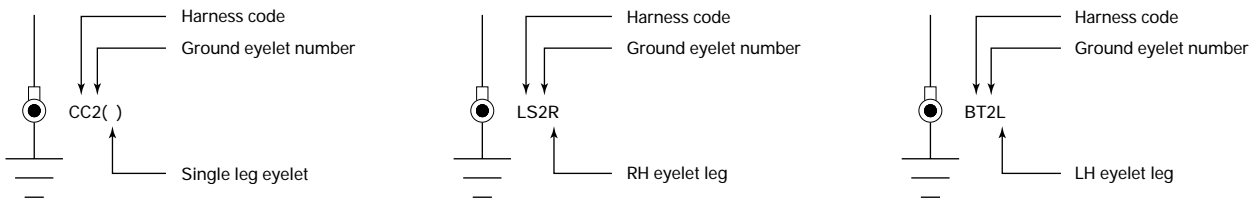
HARNESS CODE + GROUND EYELET NUMBER + EYELET DESIGNATION (L or R where applicable)

Eyelet designation

Two eyelet variations are used: a single eyelet and an eyelet pair. The single eyelet has a single 'leg' and can be identified by the absence of a suffix. The eyelet pair has two 'legs', identified by the suffix L (left) or R (right).

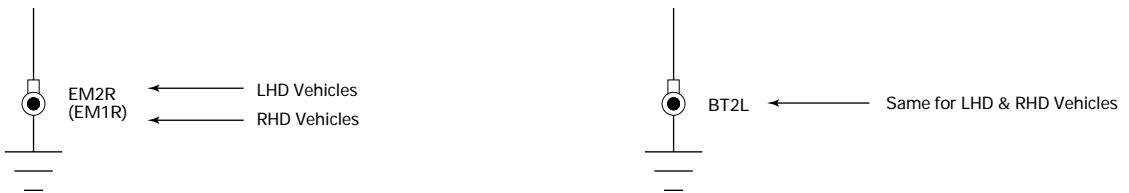


EXAMPLES:



Where the ground designation differs from LHD to RHD, the RHD ground is shown in parentheses. If the ground designation is the same for LHD and RHD, only one ground designation is used.

EXAMPLES:

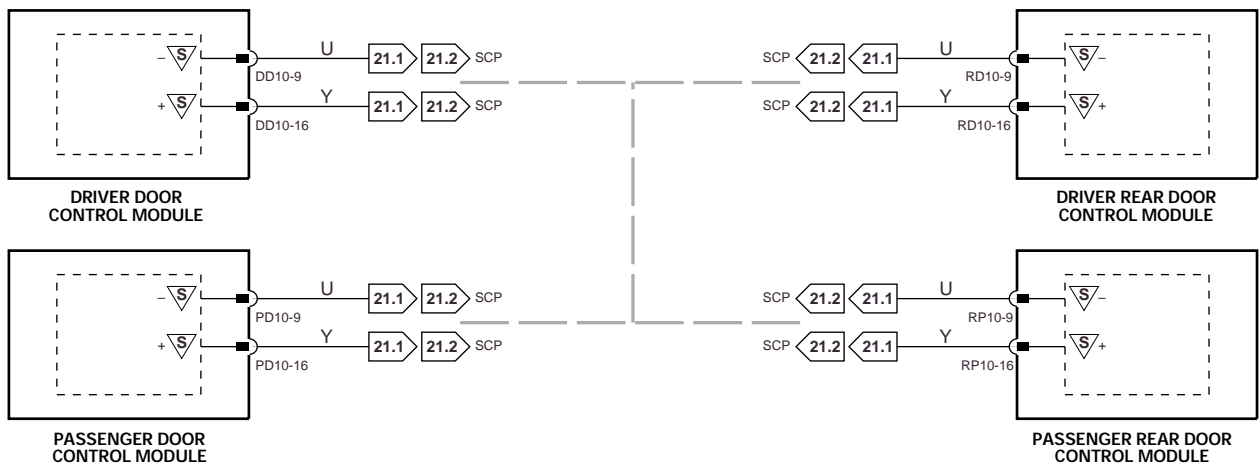


NOTE: The XJ Series ground studs are not identified by code. Therefore, multiple eyelets with different harness codes may be connected to a ground stud.

SCP Network

Due to circuit complexity and because space is limited, the SCP Network is, in most cases, shown as a broken grey line indicating that there is network communication between the depicted control modules. Refer to Fig. 21.1 for circuit details.

EXAMPLE:

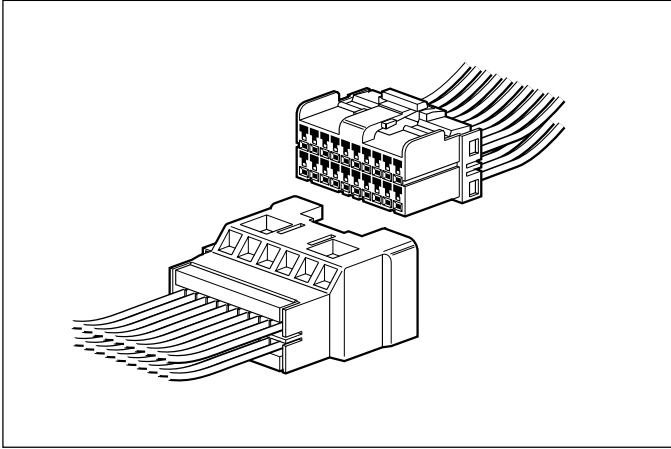




The following connectors are the common harness-to-harness connectors used throughout the vehicle.

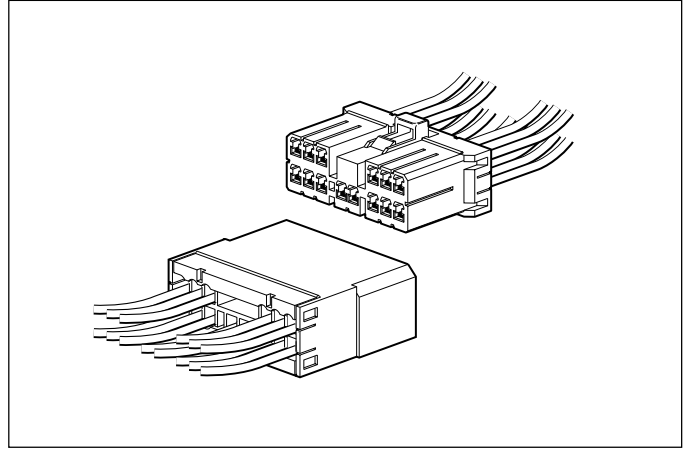
Multilock 040

Low current (harness and 'direct' connection connector).



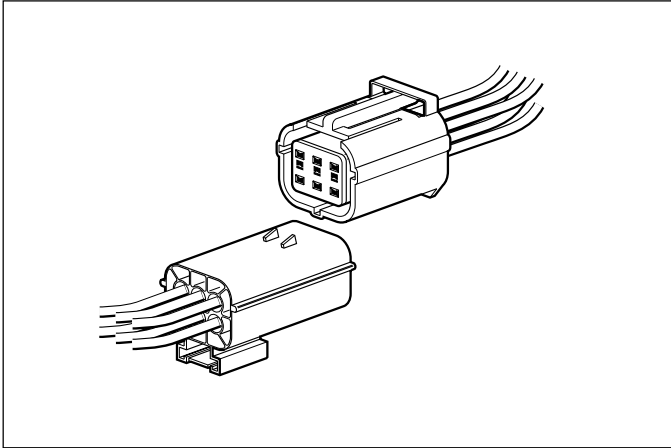
Multilock 070

High current (harness and 'direct' connection connector).



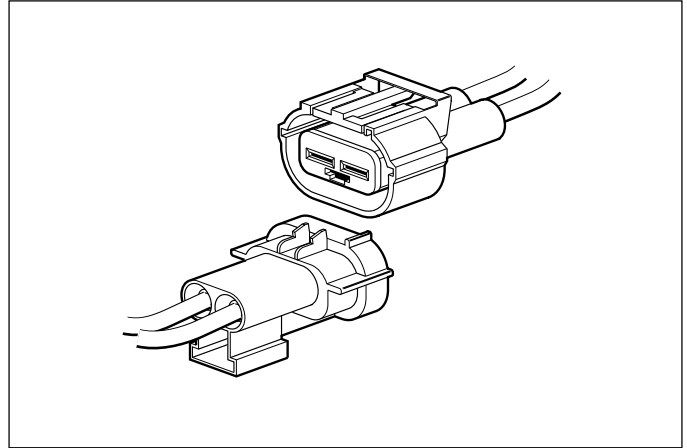
Econoseal III LC

Low current sealed connector.



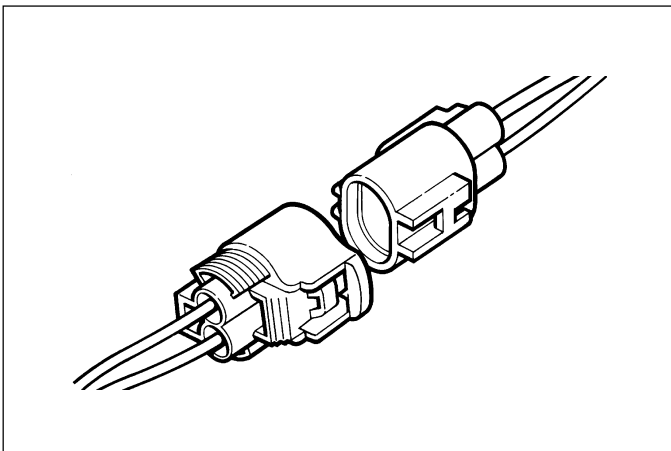
Econoseal III HC

High current sealed connector.



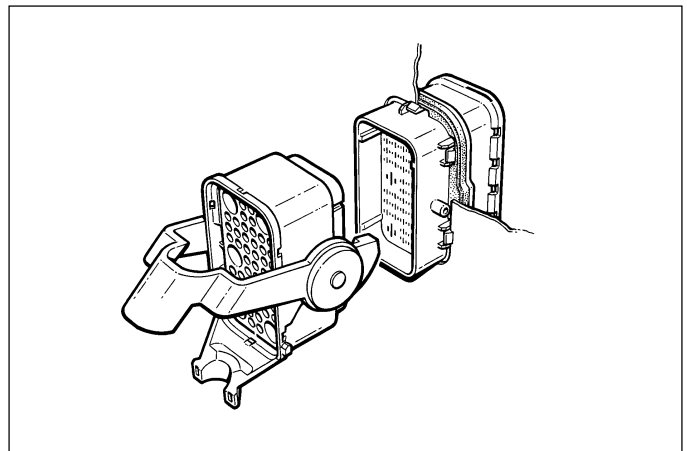
Ford Card

Used for SRS only.



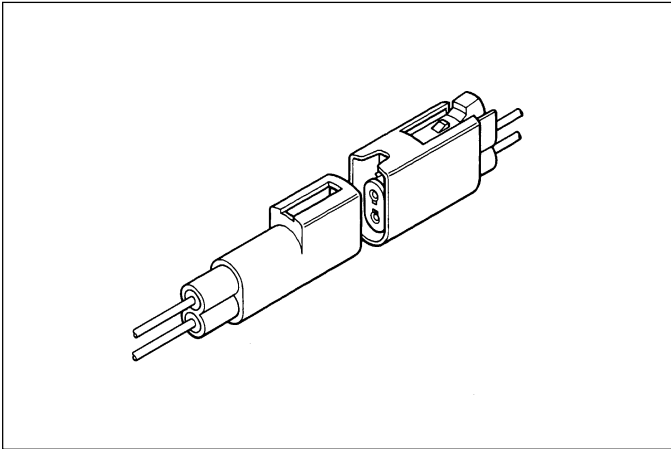
Through Panel

54-way connector.

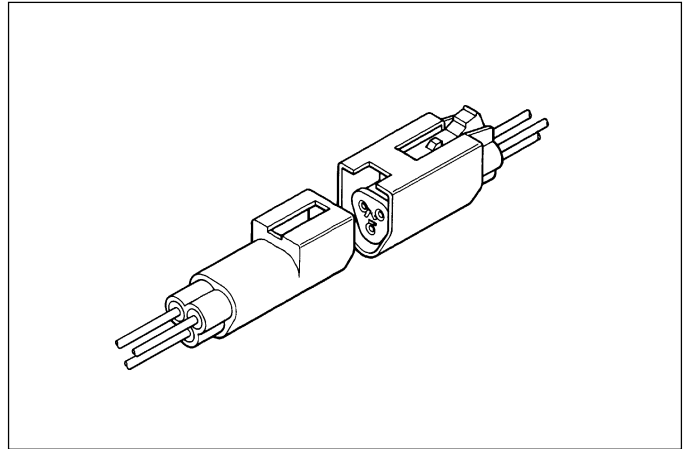




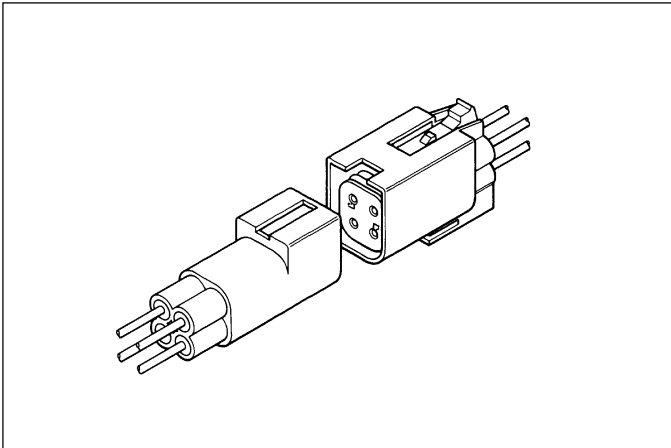
Augat 1.6
2-way connector.



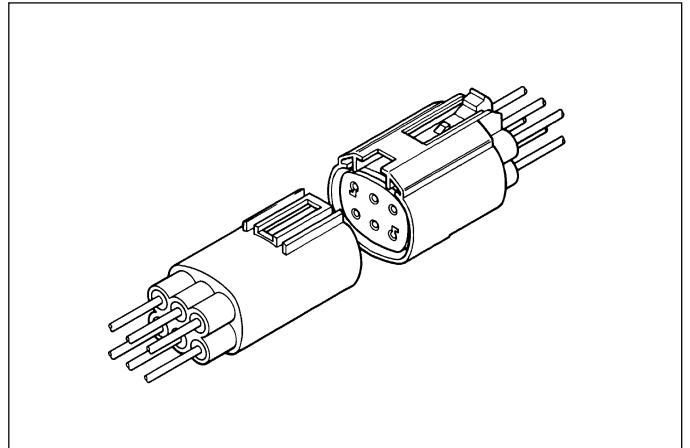
Augat 1.6
3-way connector.



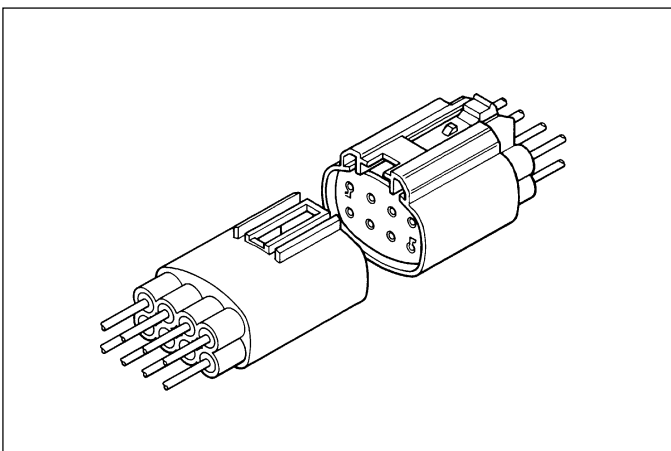
Augat 1.6
4-way connector.

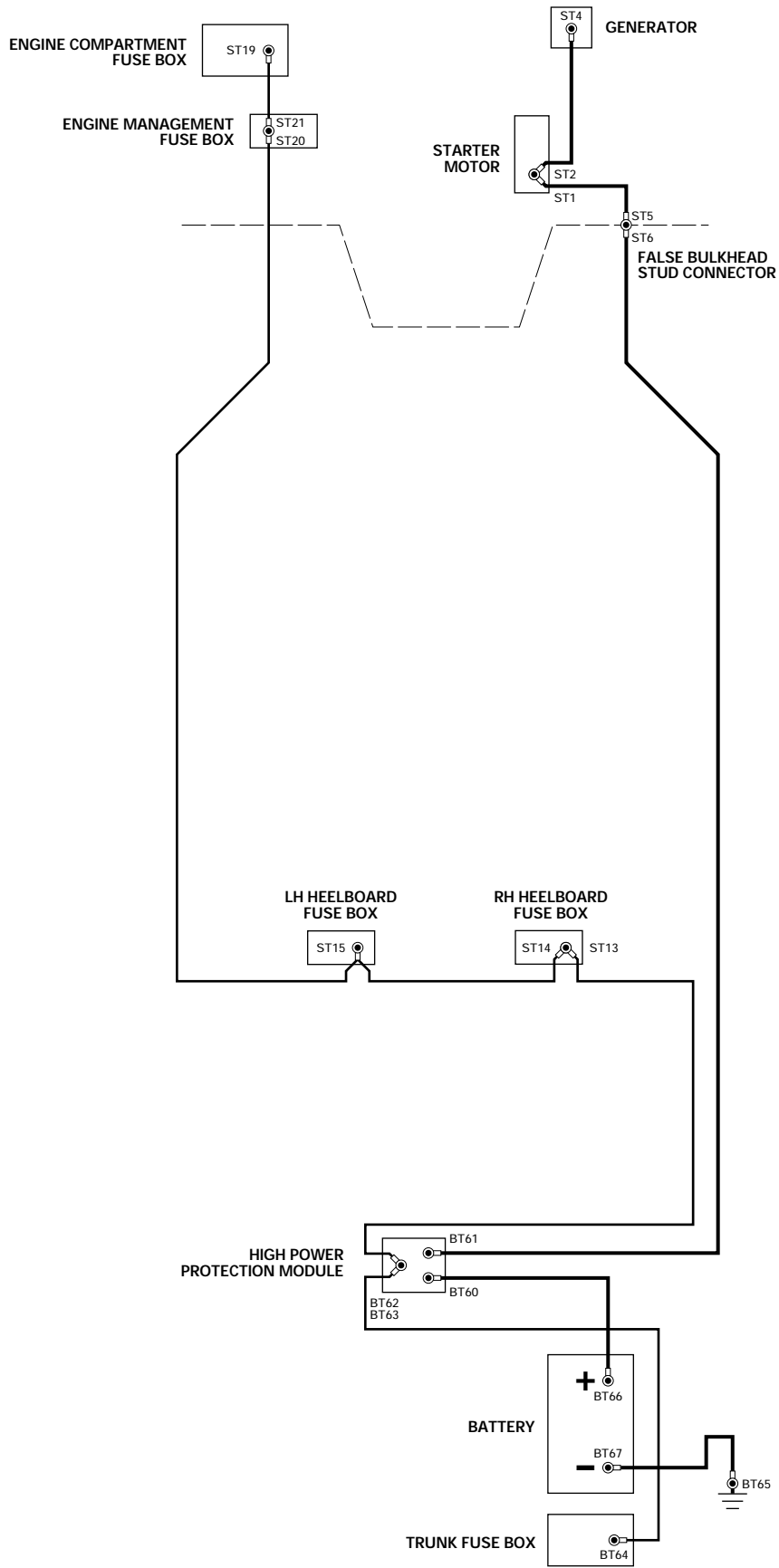


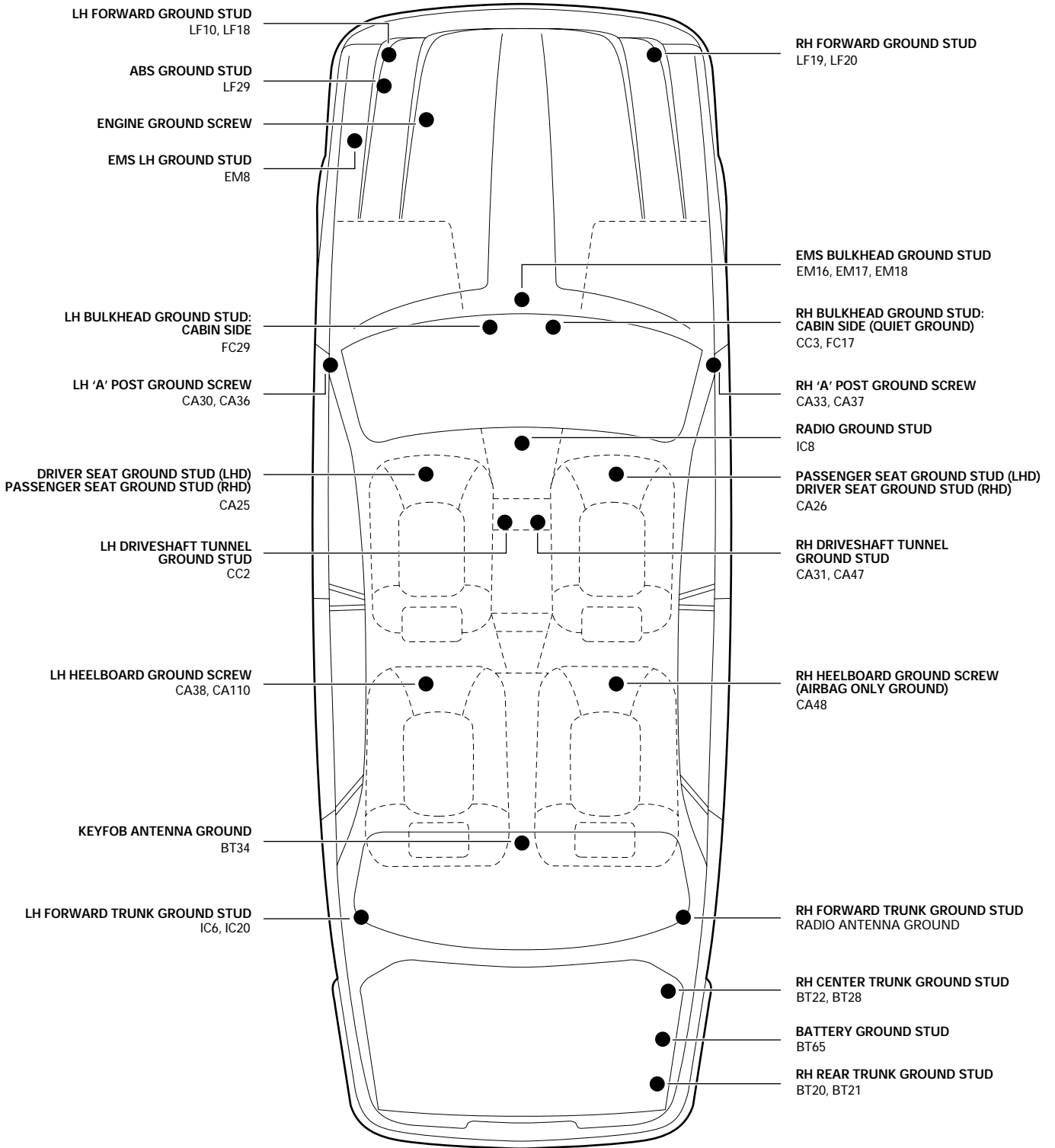
Augat 1.6
6-way connector.



Augat 1.6
8-way connector.



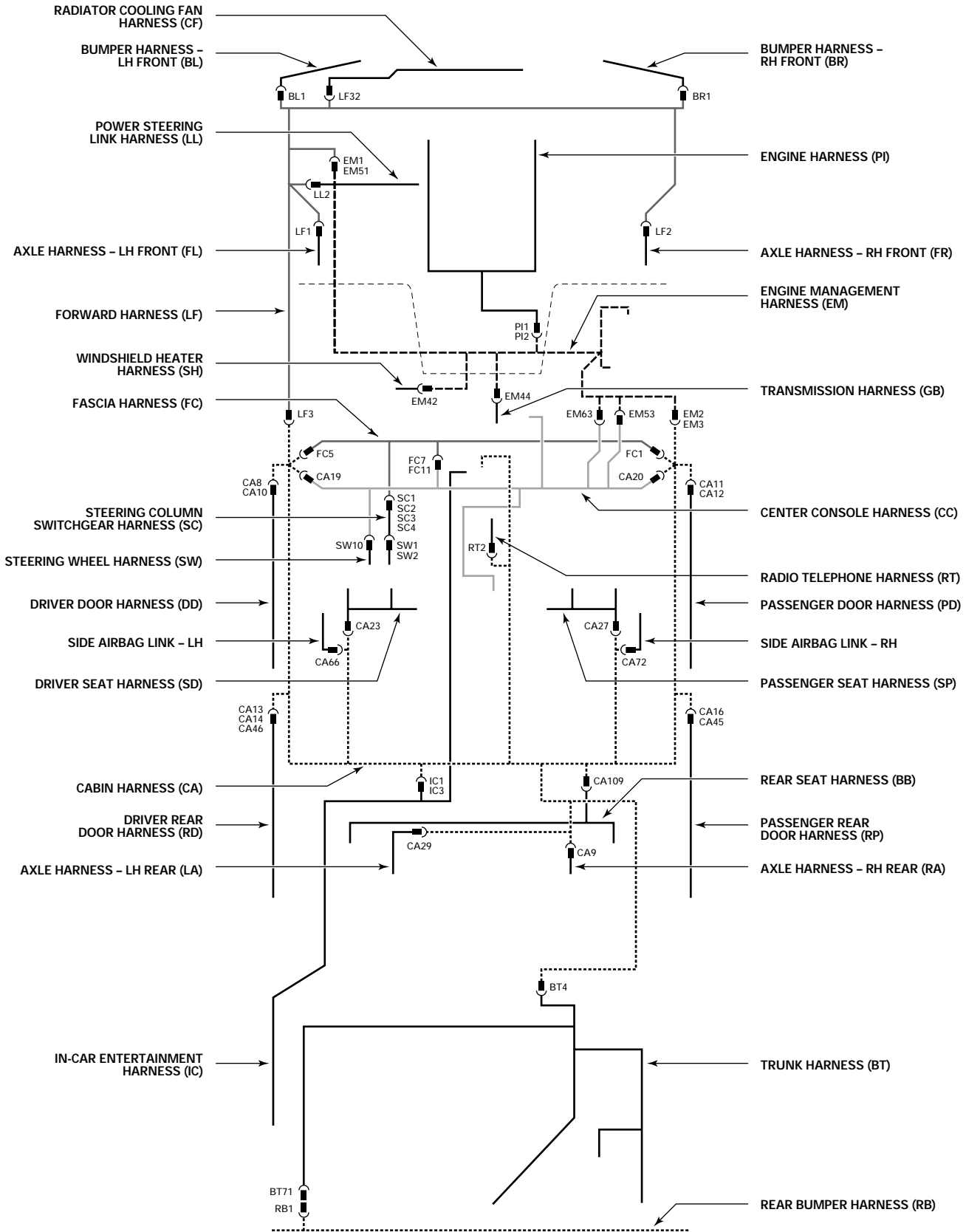






LHD

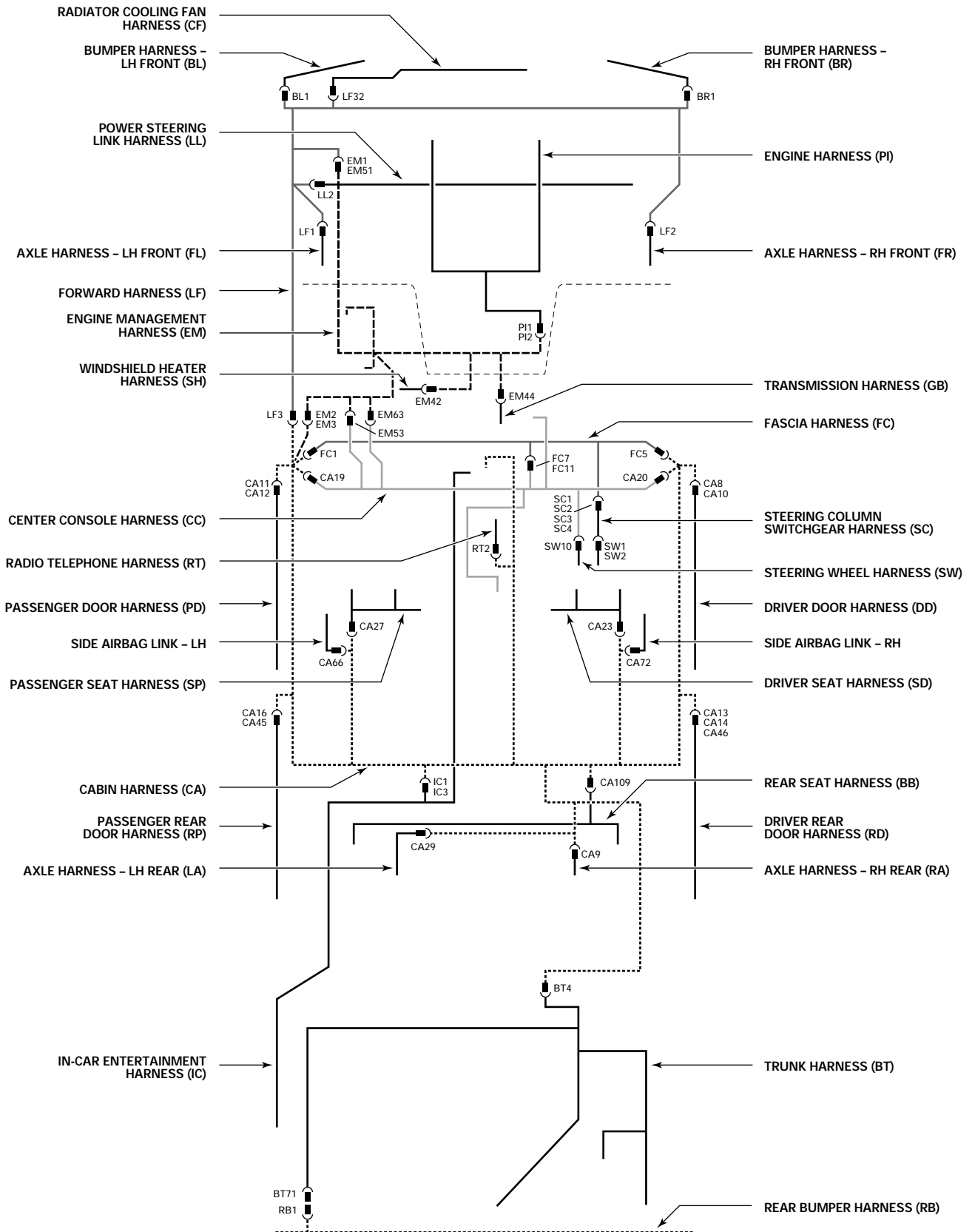
FRONT OF VEHICLE





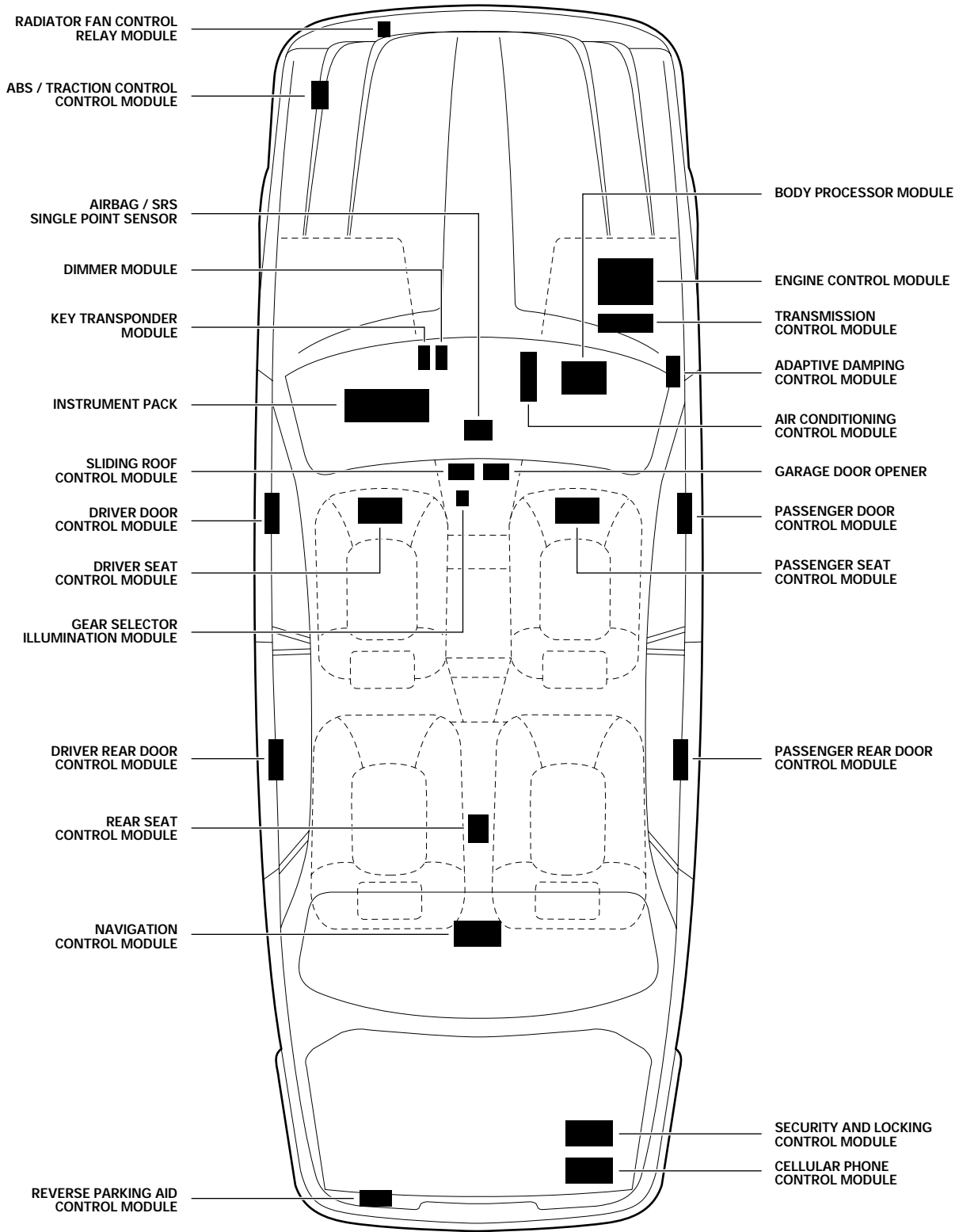
RHD

FRONT OF VEHICLE



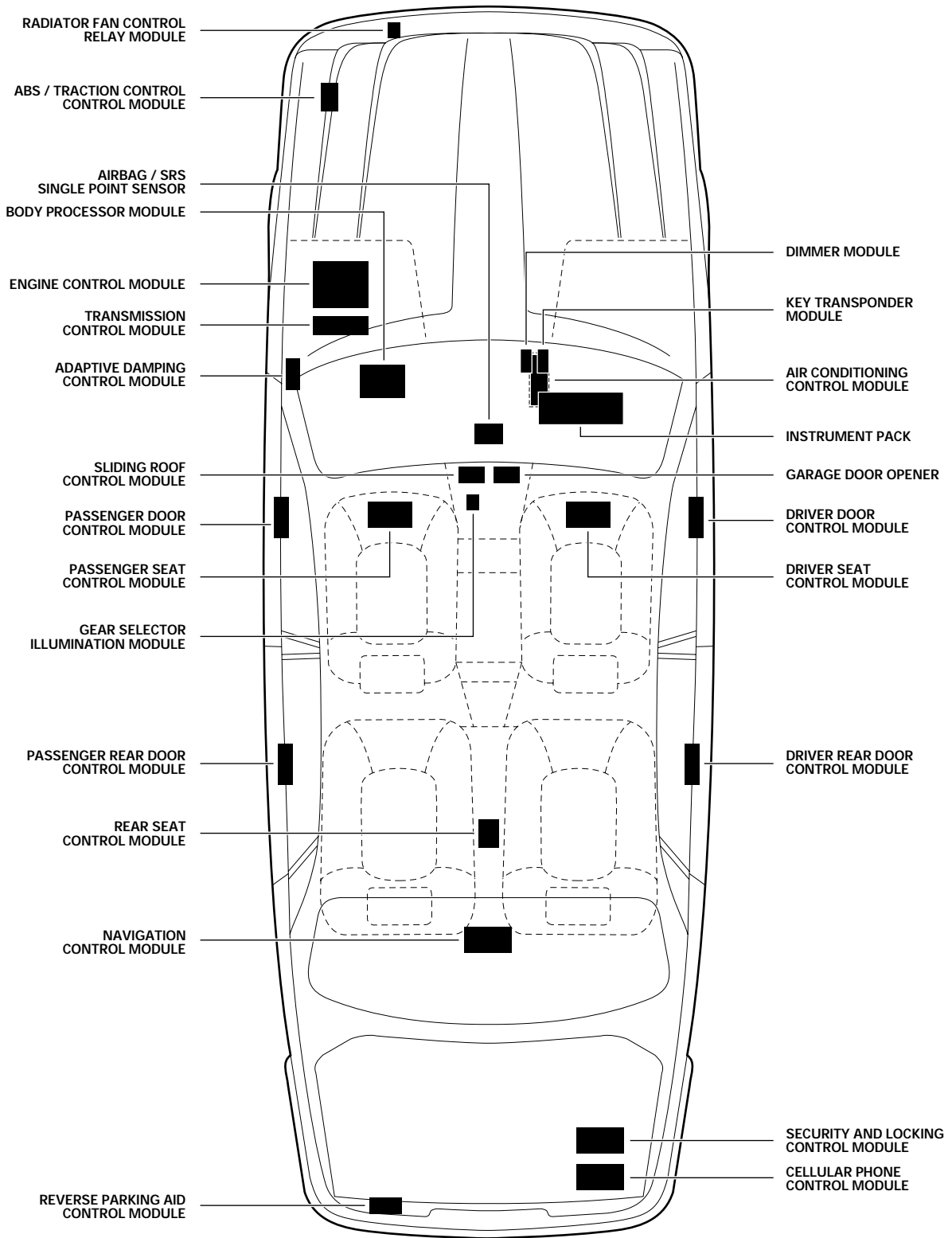


LHD



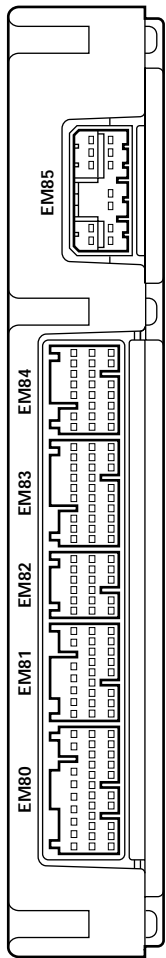


RHD





ENGINE CONTROL MODULE: AJ27 N/A



9	8	7	6	5	4	3					7	6	5	4	3	2	1	
GW	GW	R	R	G	G	B					U	BW	BW	BW	BO	BO	BG	B
21	20	19	18	17	16	15	14	13	12	11	10	9	8	7	6	5	4	
B	U	W	W	O	YU	YG					UY	BG	BR	GU	GR	GO	GO	GW
31	30	29	28	27	26	25	24	23	22	21	20	19	18	17	16			
B	B	BK	—	U	—	RW	—	UY	RW	—	B	BO	GB	GW	GO	GU	B	

9	8	7	6	5	4	3	2	1
N	N	Y	P	BG	OY	WR	RU	—
19	18	17	16	15	14	13	12	11
G	B	O	G	G	N	BG	BR	YG
28	27	26	25	24	23	22	21	20
GW	BW	BW	Y	Y	N	N	N	NR

3	2	1
—	UY	RU
8	7	6
WG	B	B

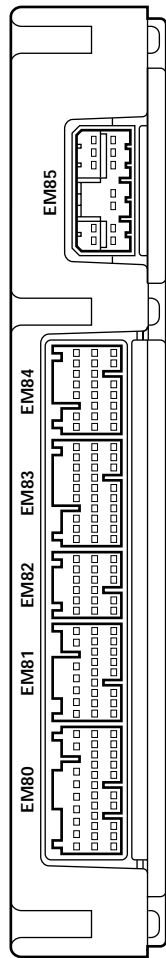
5	4
U	—
12	11
—	—

3	2	1
—	UY	RU
8	7	6
WG	B	B

* Not used – ROW vehicles.
 † Not used – 3.2L vehicles.

EM85 / 12-WAY / WHITE

ENGINE CONTROL MODULE: AJ27 SC



9	8	7	6	5	4	3					7	6	5	4	3	2	1	
GW	GW	R	R	G	G	B					U	BW	BW	BW	BO	BO	BG	B
21	20	19	18	17	16	15	14	13	12	11	10	9	8	7	6	5	4	
B	U	W	W	O	YU	YG					UY	BG	BR	GU	GR	GO	GO	GW
31	30	29	28	27	26	25	24	23	22	21	20	19	18	17	16			
B	B	BK	—	U	—	RW	—	UY	RW	—	B	BO	GB	GW	GO	GU	B	

9	8	7	6	5	4	3	2	1
N	N	Y	P	BG	OY	WR	RU	—
19	18	17	16	15	14	13	12	11
G	B	O	G	G	N	BG	BR	YG
28	27	26	25	24	23	22	21	20
GW	BW	BW	Y	Y	N	N	N	NR

3	2	1
—	UY	RU
8	7	6
WG	B	B

5	4
U	—
12	11
—	—

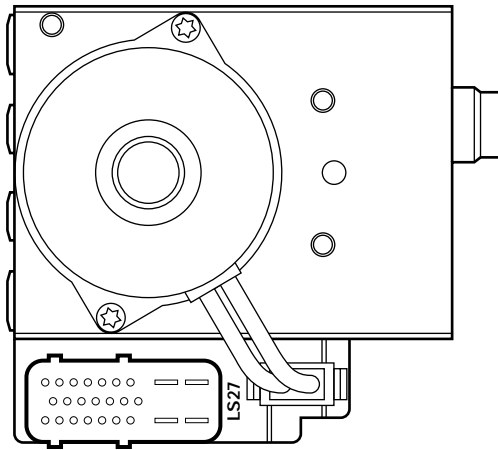
3	2	1
—	UY	RU
8	7	6
WG	B	B

* Not used – ROW vehicles.

EM85 / 12-WAY / WHITE



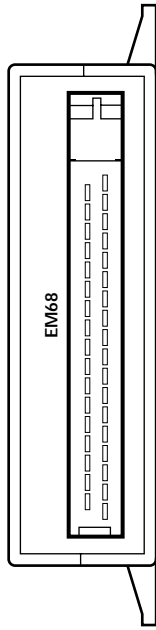
ABS / TRACTION CONTROL CONTROL MODULE



LS27 / 25-WAY / BLACK

1	UY	10	W	17	W
2	OG	11	R	18	R
3	Y	12	O	19	O
4	G	13	WU	20	WU
5	Y	14	U	21	U
6	R	15	U	22	U
7	O	16	RW	23	—
8	B	24	B		
9	NR	25	NR		

ADAPTIVE DAMPING CONTROL MODULE

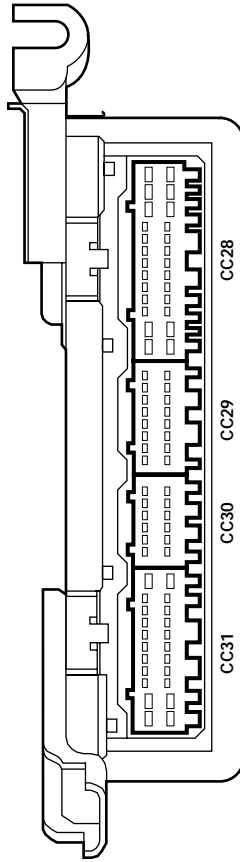


EM68 / 35-WAY / BLACK

19	20	21	22	23	24	25	26	27	28	29	30	31	32	33	34	35
1	YR	—	—	—	—	—	—	—	—	—	—	—	—	—	—	—
10	11	12	13	14	15	16	17	18	—	—	—	—	—	—	—	—
10	O	W	O	OG	OG	—	—	—	—	—	—	—	—	—	—	—



AIR CONDITIONING CONTROL MODULE



CC31 / 22-WAY / GREY

12	WR	13	B	14	B	15	GW	16	OY	17	U	18	GW	19	BW	20	BK	21	O	22	—
1	WU	2	GW	3	WR	4	WU	5	NW	6	RW	7	U	8	U	9	UY	10	W	11	—

CC30 / 12-WAY / GREY

7	Y	8	YR	9	—	10	—	11	—	12	WU
1	UY	2	Y	3	YG	4	—	5	OY	6	U

CC29 / 16-WAY / GREY

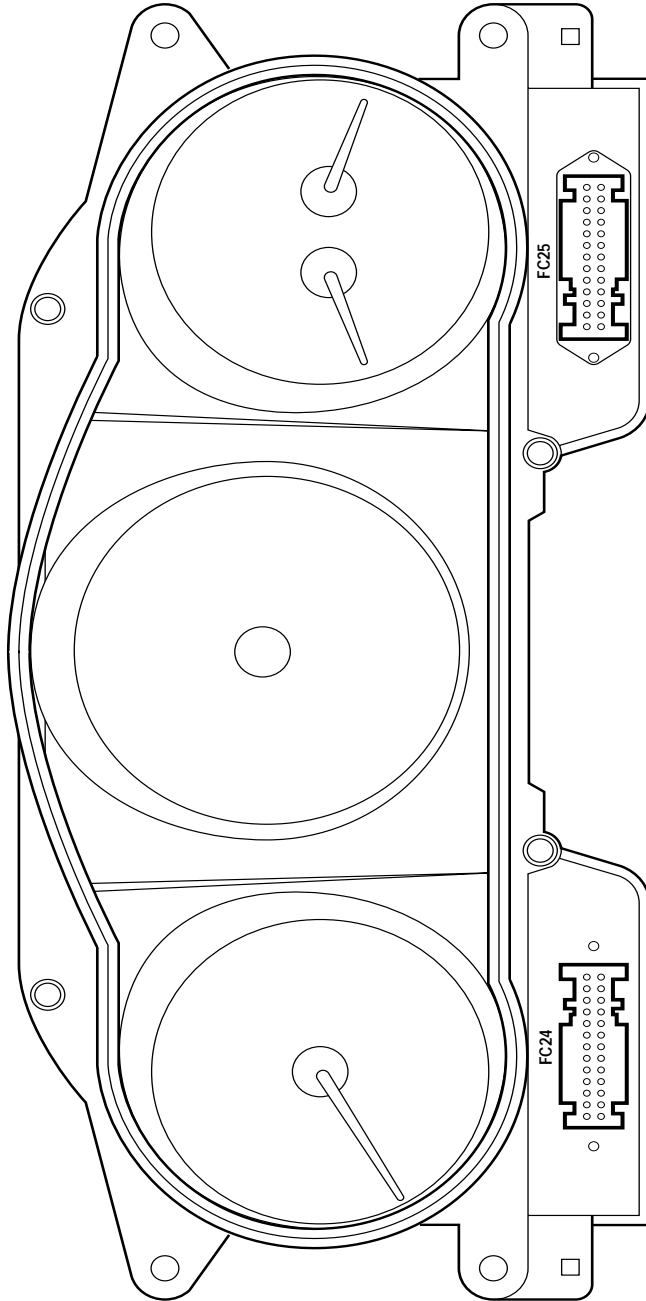
9	—	10	O	11	YG	12	—	13	—	14	—	15	U	16	GU
1	OG	2	RG	3	Y	4	—	5	YB	6	YG	7	OG	8	GO

CC28 / 26-WAY / GREY

14	—	15	—	16	GR	17	RW	18	GU	19	RU	20	YR	21	Y	22	NR	23	—	24	—	25	O	26	GU
1	RG	2	U	3	UY	4	UY	5	W	6	RW	7	UY	8	RW	9	R	10	—	11	—	12	OY	13	UY



INSTRUMENT PACK



FC25 / 26-WAY / YELLOW

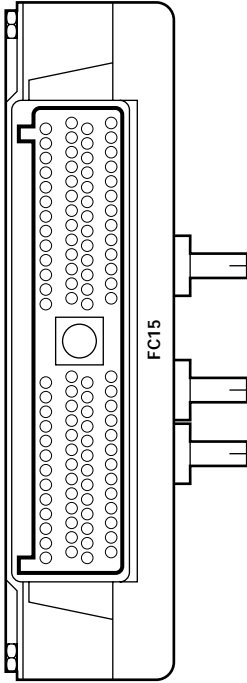
13	12	11	10	9	8	7	6	5	4	3	2	1
BW	—	—	—	—	O	U	OY	NC	NC	RW	—	—
26	25	24	23	22	21	20	19	18	17	16	15	14
—	—	—	OG	Y	RG	OY	OY	—	—	Y	—	RW

FC24 / 26-WAY / BLACK

1	2	3	4	5	6	7	8	9	10	11	12	13
MG	—	YR	BK	—	YB	UB	UR	R	Y	Y	—	Y
14	15	16	17	18	19	20	21	22	23	24	25	26
U	NR	B	RU	Y	O	—	—	—	G	G	BR	—



BODY PROCESSOR MODULE

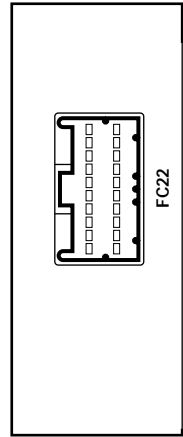


FC15 / 104-WAY / GREY

79	80	81	82	83	84	85	86	87	88	89	90	91	92	93	94	95	96	97	98	99	100	101	102	103	104
NG	N	GR*	GR	GB	U	Y	OG	Y	YG	Y	YG	BK	BK	YB	Y	RU	RU	RW	WU	UY	BR	RW	N	—	NW
53	54	55	56	57	58	59	60	61	62	63	64	65	66	67	68	69	70	71	72	73	74	75	76	77	78
R	R	YU	OY*	GR	YB	RW	RW	WG	—	YG	—	—	RU	O	OG	O	GW	YR	YU	GO	RW	GR	GO	RG	U
27	28	29	30	31	32	33	34	35	36	37	38	39	40	41	42	43	44	45	46	47	48	49	50	51	52
Y*	RW	Y	U	GB	WR	W	GO	OY	—	GR	O	Y	WU	RW	UY	WG	OY	U	YB	YG	OG	GO	GW	RW	BW
1	2	3	4	5	6	7	8	9	10	11	12	13	14	15	16	17	18	19	20	21	22	23	24	25	26
RW	GW	GO	GU	YR	Y	RU	—	GU	RW	YB	OG	GO*	U	WU	RW	OY	YB	BG	OG	YR	WB	WU	NW	B	YG

* Not used – MAS vehicles.

KEY TRANSPONDER MODULE

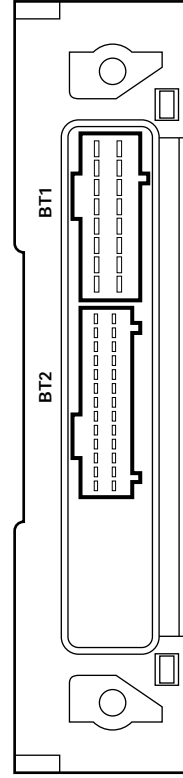


FC22 / 20-WAY / GREEN

10	9	8	7	6	5	4	3	2	1
R*	YB	OG	O	O	U*	NR	BRD*	—	—
20	19	18	17	16	15	14	13	12	11
R*	RW*	OY*	Y	O	U*	WU	WR	BK	YR

* Not used – MAS vehicles.

SECURITY AND LOCKING CONTROL MODULE



BT2 / 26-WAY / BLACK

13	12	11	10	9	8	7	6	5	4	3	2	1
—	—	—	—	—	—	—	—	—	—	—	—	—
26	25	24	23	22	21	20	19	18	17	16	15	14
YR*	—	—	—	—	—	—	—	—	—	—	—	—

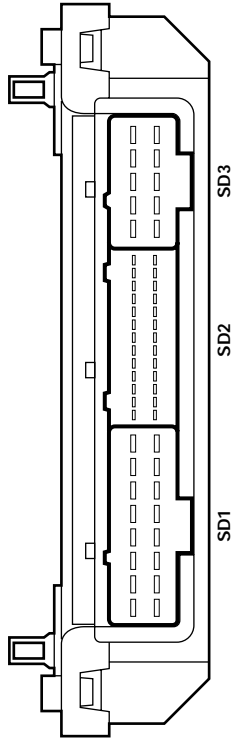
* Not used – MAS vehicles.

BT1 / 16-WAY / BLACK

8	7	6	5	4	3	2	1
Y	RU	NR	Y	OG	OY	O	—
16	15	14	13	12	11	10	9
U	NW	BK	BK	—	—	—	—



DRIVER SEAT CONTROL MODULE: MEMORY



SD1 / 16-WAY / BLACK

9	10	11	12	13	14	15	16
RW	RW	WG	W	OY	UY	RW	RW
1	2	3	4	5	6	7	8
RU	RU	OG	UY	GW	GO	UY	UY

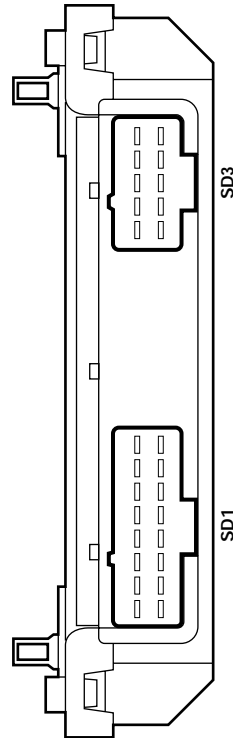
SD2 / 26-WAY / BLACK

14	15	16	17	18	19	20	21	22	23	24	25	26
WB	WB	—	—	W	W	W	—	—	—	—	—	—
1	2	3	4	5	6	7	8	9	10	11	12	13
WB	WB	—	—	W	W	W	WU	WU	WU	WR	W	—

SD3 / 10-WAY / BLACK

6	7	8	9	10
GW	—	GW	Y	U
1	2	3	4	5
BK	B	WU	WR	NR

DRIVER SEAT CONTROL MODULE: NON-MEMORY



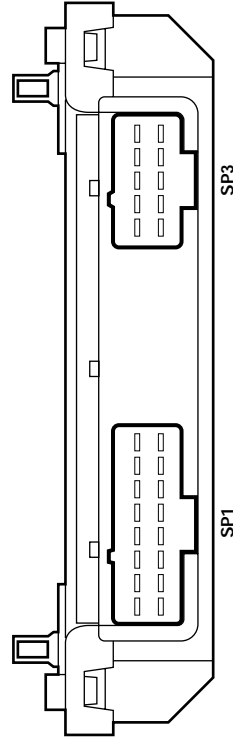
SD1 / 16-WAY / BLACK

9	10	11	12	13	14	15	16
RW	RW	WG	W	OY	UY	RW	RW
1	2	3	4	5	6	7	8
RU	RU	OG	UY	GW	GO	UY	UY

SD3 / 10-WAY / BLACK

6	7	8	9	10
GW	—	GW	Y	U
1	2	3	4	5
BK	B	WU	WR	NR

PASSENGER SEAT CONTROL MODULE



SP1 / 16-WAY / BLACK

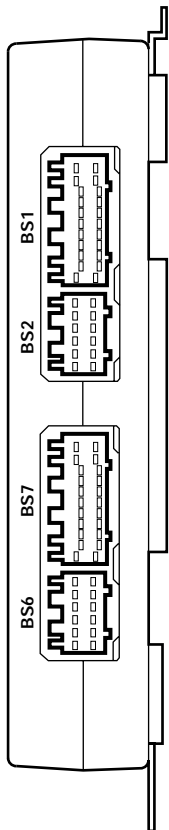
9	10	11	12	13	14	15	16
RW	RW	WG	W	OY	UY	RW	RW
1	2	3	4	5	6	7	8
RU	RU	OG	UY	GW	GO	UY	UY

SP3 / 10-WAY / BLACK

6	7	8	9	10
GW	—	GW	Y	U
1	2	3	4	5
—	B	WU	WR	NR



REAR SEAT CONTROL MODULE



BS6 / 12-WAY / WHITE

6	GO
5	GW
4	UY
3	UY
2	OY
1	OY
12	GR
11	GW
10	OY
9	B
8	PW
7	PR

BS7 / 22-WAY / WHITE

11	—
10	RW
9	RW
8	RW
7	—
6	—
5	—
4	—
3	—
2	—
1	—
12	—
13	—
14	GW
15	GW
16	YG
17	Y
18	UY
19	OY
20	RW
21	—
22	—

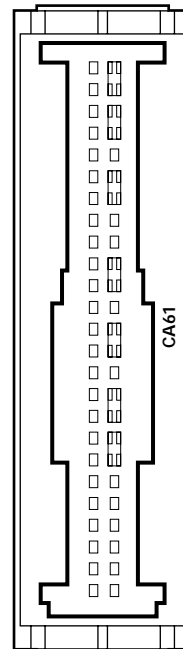
BS2 / 12-WAY / BLUE

6	NW
5	B
4	NR
3	B
2	B
1	—
12	NW
11	—
10	—
9	—
8	—
7	—

BS1 / 22-WAY / BLUE

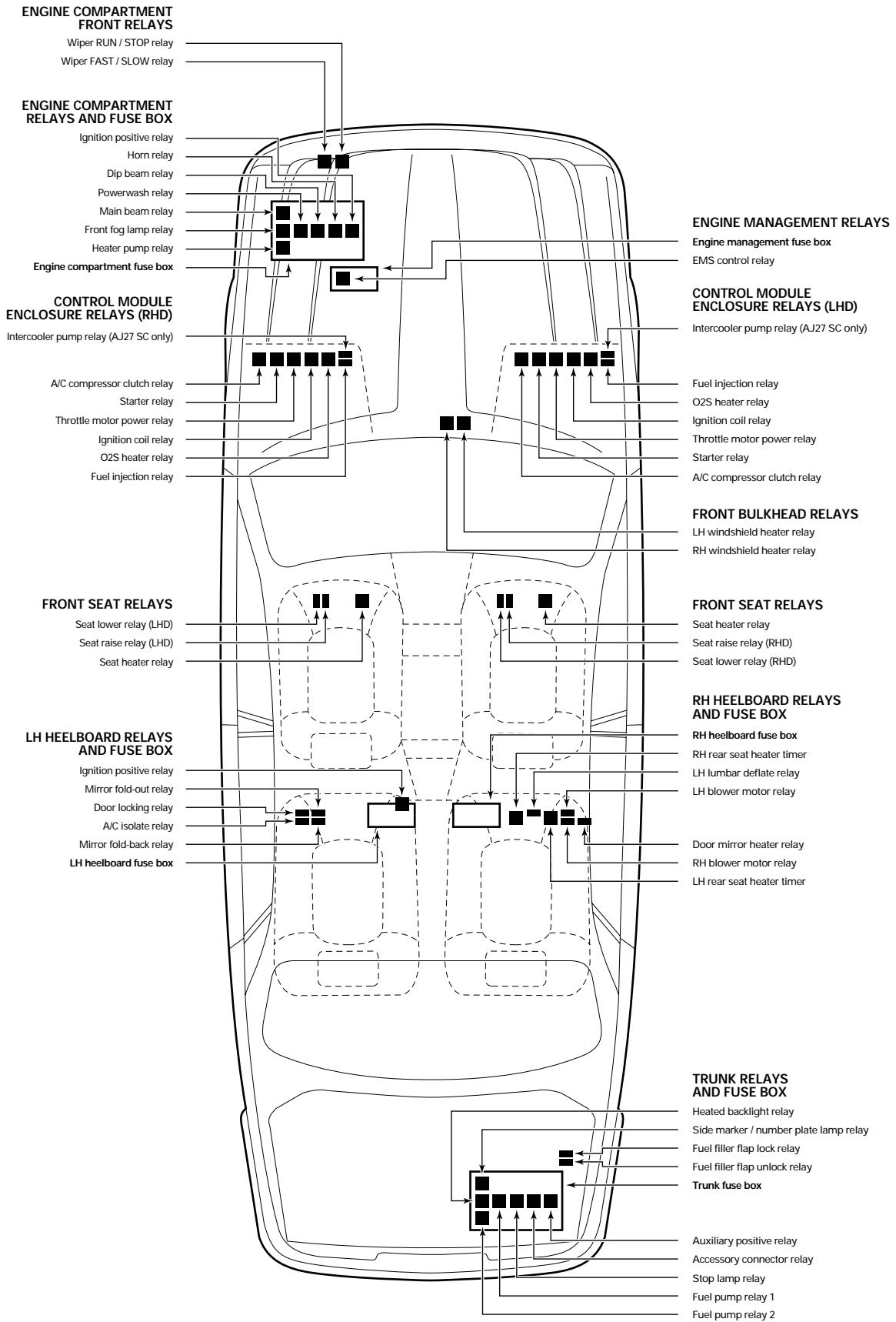
11	Y
10	B
9	—
8	—
7	—
6	—
5	—
4	—
3	—
2	—
1	—
12	B
13	—
14	—
15	—
16	—
17	—
18	—
19	—
20	—
21	—
22	—

AIRBAG / SRS SINGLE POINT SENSOR



CA61 / 50-WAY / YELLOW

25	—
24	R
23	Y
22	Y
21	—
20	U
19	YR
18	Y
17	YU
16	Y
15	—
14	YR
13	Y
12	—
11	YU
10	Y
9	OY
8	—
7	YR
6	BK
5	W
4	BW
3	RW
2	BW
1	RW
26	—
27	—
28	—
29	—
30	—
31	—
32	—
33	—
34	—
35	—
36	—
37	—
38	—
39	—
40	Y
41	—
42	—
43	—
44	—
45	—
46	—
47	—
48	—
49	—
50	—



NOTE: All relays are brown, with the exception of the microrelays, which are black.

Fig. 01.1

COMPONENTS

Component	Connector / Type / Color	Location / Access
BATTERY	BT66 / BATTERY CABLE CLAMP BT67 / BATTERY CABLE CLAMP	TRUNK / BATTERY COVER
BODY PROCESSOR MODULE	FC15 / 14-WAY AMP EEEC / GREY	BULKHEAD / BEHIND GLOVE BOX
FUSE BOX – ENGINE COMPARTMENT	LF5 / 10-WAY U.T.A. FUSE BOX / NATURAL LF6 / 10-WAY U.T.A. FUSE BOX / BLACK LF7 / 10-WAY U.T.A. FUSE BOX / GREEN LF8 / 10-WAY U.T.A. FUSE BOX / BLUE ST19 / EYELET	ENGINE COMPARTMENT / LH FRONT
FUSE BOX – ENGINE MANAGEMENT	EM19 / 10-WAY U.T.A. FUSE BOX / NATURAL EM20 / 10-WAY U.T.A. FUSE BOX / BLACK ST20 / EYELET ST21 / EYELET	ENGINE COMPARTMENT / CONTROL MODULE ENCLOSURE
FUSE BOX – LH HEELBOARD	CA1 / 10-WAY U.T.A. FUSE BOX / NATURAL CA2 / 10-WAY U.T.A. FUSE BOX / BLACK ST15 / EYELET	LH HEELBOARD / HEELBOARD COVER
FUSE BOX – RH HEELBOARD	CA41 / 10-WAY U.T.A. FUSE BOX / NATURAL CA42 / 10-WAY U.T.A. FUSE BOX / BLACK ST13 / EYELET ST14 / EYELET	RH HEELBOARD / HEELBOARD COVER
FUSE BOX – TRUNK	BT10 / 10-WAY U.T.A. FUSE BOX / NATURAL BT11 / 10-WAY U.T.A. FUSE BOX / BLACK BT12 / 10-WAY U.T.A. FUSE BOX / GREEN BT13 / 10-WAY U.T.A. FUSE BOX / BLUE BT64 / EYELET	TRUNK ELECTRICAL CARRIER
HIGH POWER PROTECTION MODULE	BT60 / EYELET BT61 / EYELET BT62 / EYELET BT63 / EYELET	TRUNK / ADJACENT TO BATTERY
TRANSIT ISOLATION DEVICE	BT37 / 1-WAY LUCAR STRAIGHT / METALLIC BT66 / BATTERY CABLE CLAMP	ADJACENT TO BATTERY / BATTERY COVER

RELAYS

Relay	Case Color	Connector / Color	Location / Access
AUXILIARY POSITIVE RELAY (RH HEELBOARD FUSE BOX)	BROWN	BUS	TRUNK FUSE BOX / HEELBOARD COVER
EMS CONTROL RELAY (ENGINE MANAGEMENT FUSE BOX)	BROWN	BUS	ENGINE MANAGEMENT FUSE BOX / ENGINE COMPARTMENT
IGNITION POSITIVE RELAY (ENGINE COMPARTMENT FUSE BOX)	BROWN	BUS	ENGINE COMPARTMENT FUSE BOX / ENGINE COMPARTMENT
IGNITION POSITIVE RELAY (LH HEELBOARD FUSE BOX)	BROWN	BUS	LH HEELBOARD FUSE BOX / HEELBOARD COVER

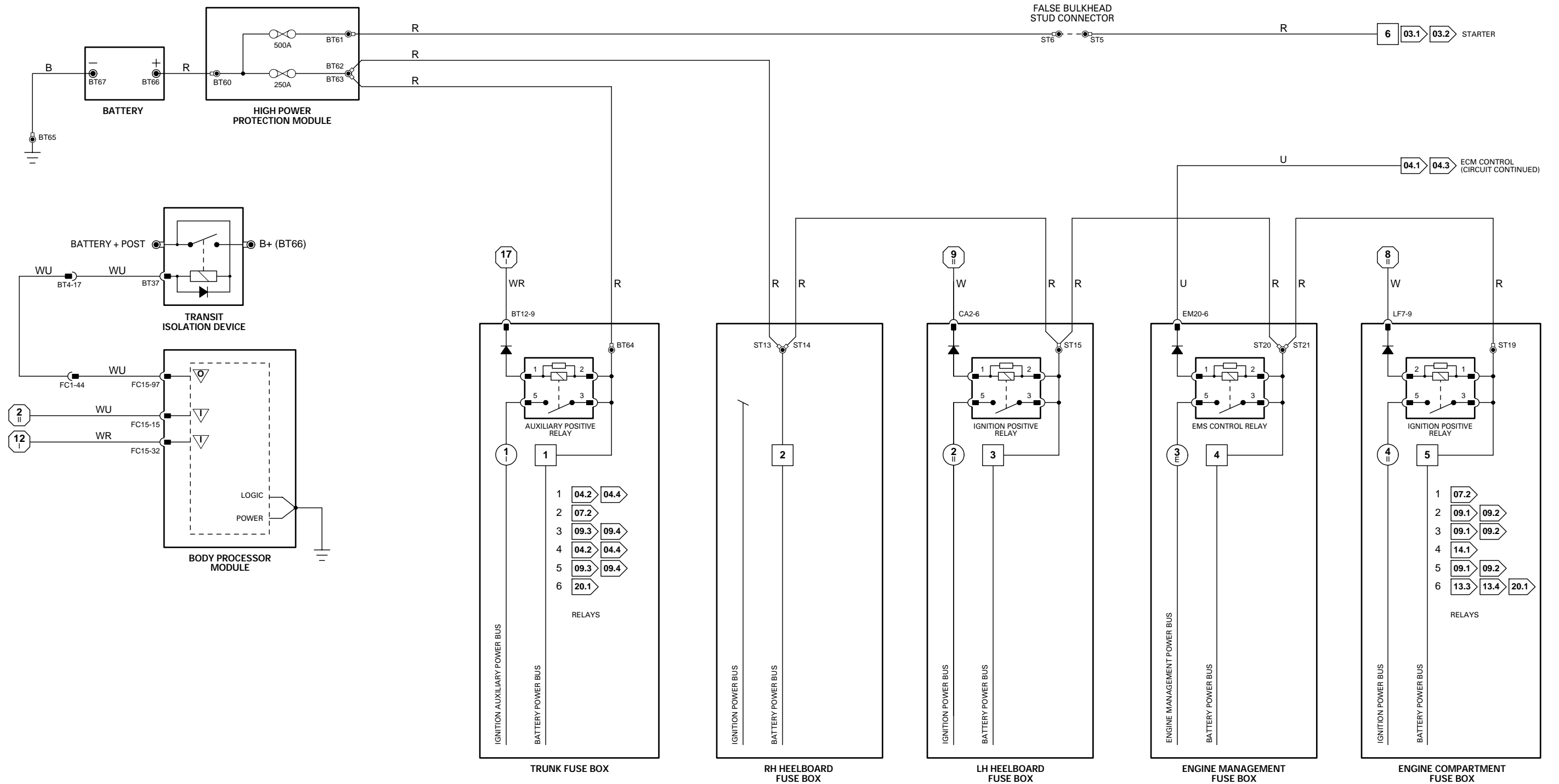
HARNESS-TO-HARNESS CONNECTORS

Connector	Type / Color	Location / Access
BT4	54-WAY THROUGH PANEL / GREY	BELOW PARCEL SHELF / TRUNK / REAR BULKHEAD / RH SIDE
FC1	54-WAY THROUGH PANEL CONNECTOR / GREY	BELOW PASSENGER SIDE AIR VENT / GLOVE BOX ASSEMBLY
ST5	EYELET	ENGINE COMPARTMENT / RH FALSE BULKHEAD
ST6	EYELET	ENGINE COMPARTMENT / RH FALSE BULKHEAD

GROUNDINGS

Ground	Location / Type
BT65	EYELET (SINGLE) – BATTERY GROUND STUD

Refer to the front of this book for detailed information and illustrations regarding the location and identification of harnesses, relays, grounds, control modules and control module pins.



1 → 6 Fig. 01.1 1 → 4 Fig. 01.1 7 → 49 Fig. 01.2 50 → 88 Fig. 01.3 5 → 49 Fig. 01.4 50 → 63 Fig. 01.5 1 → 19 Fig. 02.1

▽ Input + Sensor Supply V ▽ ACP ▽ SCP
 ▽ Output - Sensor Ground ▽ CAN ▽ Serial and Encoded Data

VARIANT: All Vehicles
VIN RANGE: F20645 →
DATE OF ISSUE: September 2000

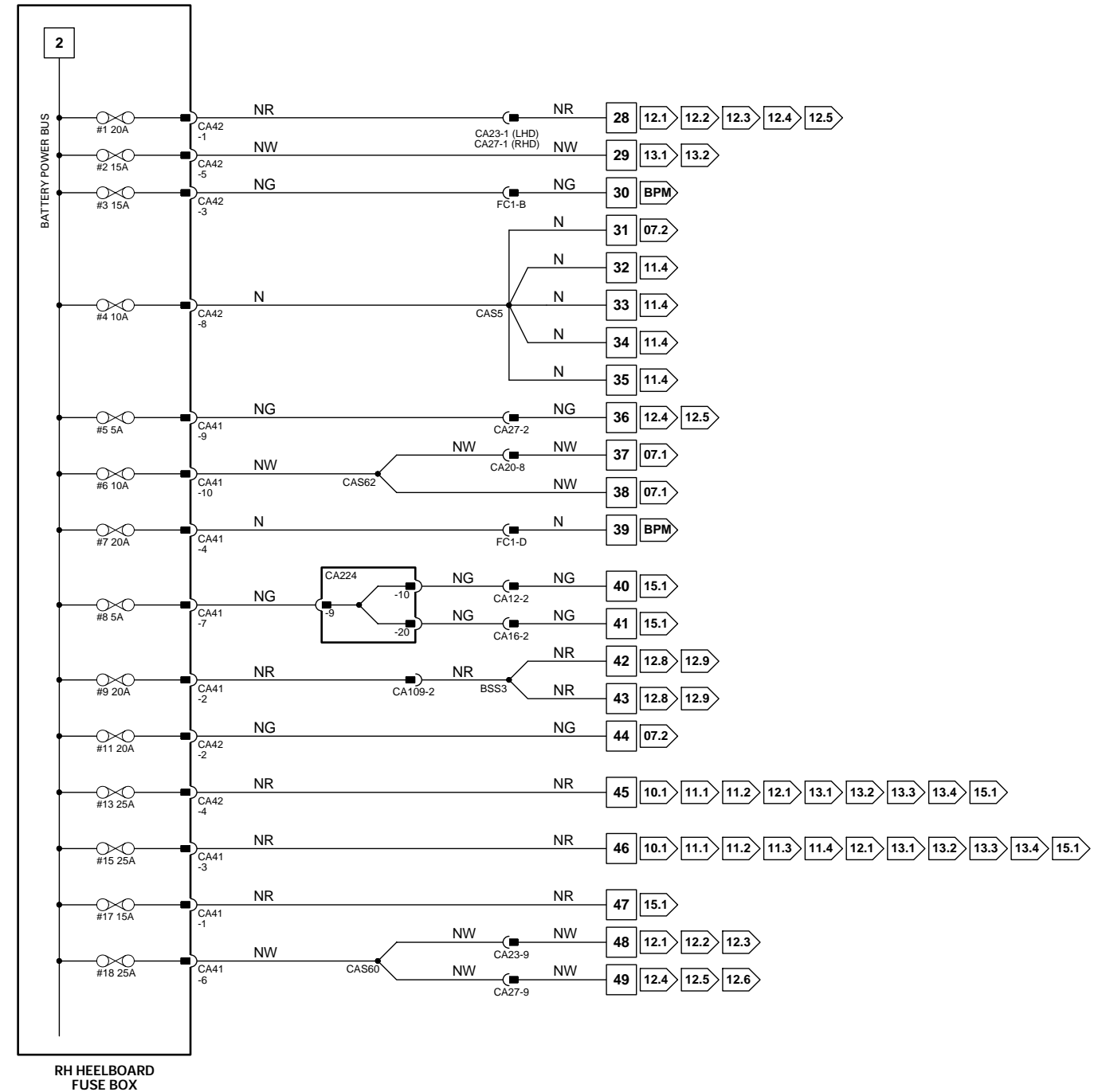
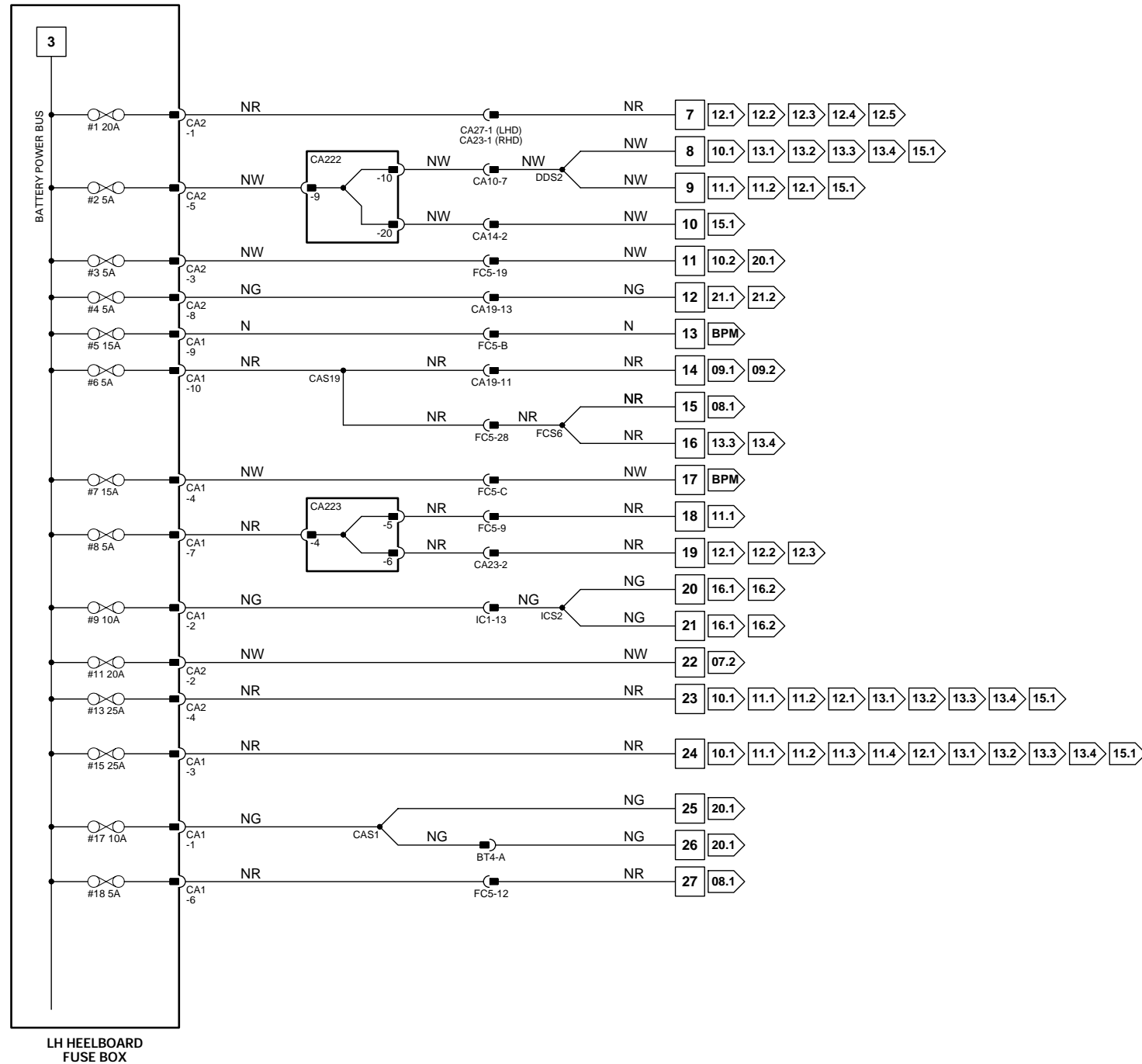
COMPONENTS

Component	Connector / Type / Color	Location / Access
FUSE BOX – LH HEELBOARD	CA1 / 10-WAY U.T.A. FUSE BOX / NATURAL CA2 / 10-WAY U.T.A. FUSE BOX / BLACK ST15 / EYELET	LH HEELBOARD / HEELBOARD COVER
FUSE BOX – RH HEELBOARD	CA41 / 10-WAY U.T.A. FUSE BOX / NATURAL CA42 / 10-WAY U.T.A. FUSE BOX / BLACK ST13 / EYELET ST14 / EYELET	RH HEELBOARD / HEELBOARD COVER
SPLICE HEADER – CA222	CA222 / 20-WAY SUMITOMO SPLICE HEADER / GREY	RH HEELBOARD / HEELBOARD COVER
SPLICE HEADER – CA223	CA223 / 20-WAY SUMITOMO SPLICE HEADER / BLACK	RH HEELBOARD / HEELBOARD COVER
SPLICE HEADER – CA224	CA224 / 20-WAY SUMITOMO SPLICE HEADER / GREEN	LH HEELBOARD / HEELBOARD COVER

HARNESSTO-HARNESSTO CONNECTORS

Connector	Type / Color	Location / Access
BT4	54-WAY THROUGH PANEL / GREY	BELOW PARCEL SHELF / TRUNK / REAR BULKHEAD / RH SIDE
CA10	8-WAY MULTILOCK 070 / YELLOW	DRIVER 'A' POST / DOOR HARNESS GAITER
CA12	8-WAY MULTILOCK 070 / YELLOW	PASSENGER 'A' POST / DOOR HARNESS GAITER
CA14	6-WAY MULTILOCK 070 / WHITE	DRIVER 'B/C' POST / DOOR HARNESS GAITER
CA16	6-WAY MULTILOCK 070 / WHITE	PASSENGER 'B/C' POST / DOOR HARNESS GAITER
CA19	20-WAY MULTILOCK 070 / YELLOW	LH 'A' POST CONNECTOR MOUNTING BRACKET / LOWER 'A' POST FINISHER
CA20	20-WAY MULTILOCK 070 / YELLOW	RH 'A' POST CONNECTOR MOUNTING BRACKET / LOWER 'A' POST FINISHER
CA23	10-WAY MULTILOCK 070 / WHITE	BELOW DRIVER SEAT
CA27	10-WAY MULTILOCK 070 / WHITE	BELOW PASSENGER SEAT
FC1	54-WAY THROUGH PANEL CONNECTOR / GREY	BELOW PASSENGER SIDE AIR VENT / GLOVE BOX ASSEMBLY
FC5	54-WAY THROUGH PANEL CONNECTOR / GREY	BELOW DRIVER SIDE AIR VENT / COIN TRAY
IC1	14-WAY MULTILOCK 070 / WHITE	LH HEELBOARD

Refer to the front of this book for detailed information and illustrations regarding the location and identification of harnesses, relays, grounds, control modules and control module pins.



BPM NOTE: Body Processor Module appears in numerous figures.

Fig. 01.3**COMPONENTS****Component**

FUZE BOX - ENGINE COMPARTMENT

Connector / Type / ColorLF5 / 10-WAY U.T.A. FUZE BOX / NATURAL
LF6 / 10-WAY U.T.A. FUZE BOX / BLACK
LF7 / 10-WAY U.T.A. FUZE BOX / GREEN
LF8 / 10-WAY U.T.A. FUZE BOX / BLUE
ST19 / EYELET**Location / Access**

ENGINE COMPARTMENT / LH FRONT

FUZE BOX - ENGINE MANAGEMENT

EM19 / 10-WAY U.T.A. FUZE BOX / NATURAL
EM20 / 10-WAY U.T.A. FUZE BOX / BLACK
ST20 / EYELET
ST21 / EYELET

ENGINE COMPARTMENT / CONTROL MODULE ENCLOSURE

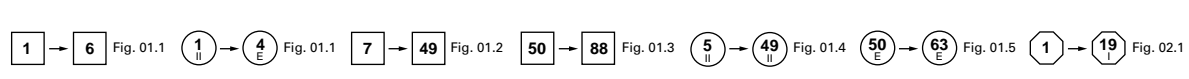
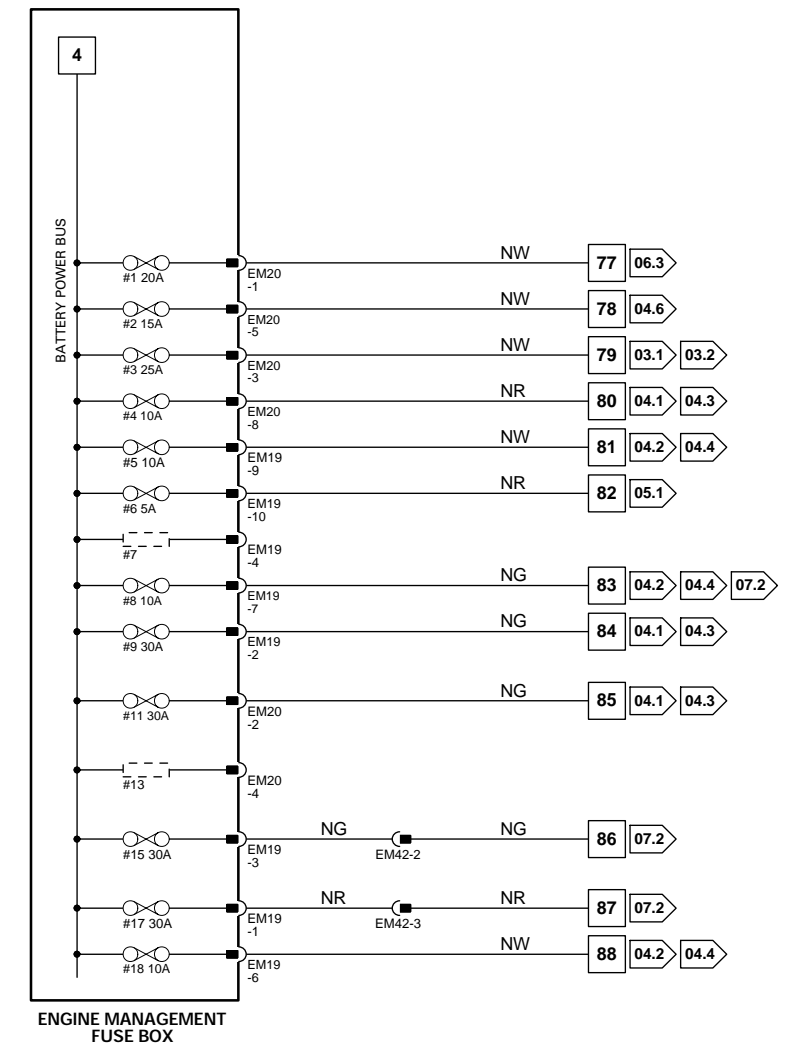
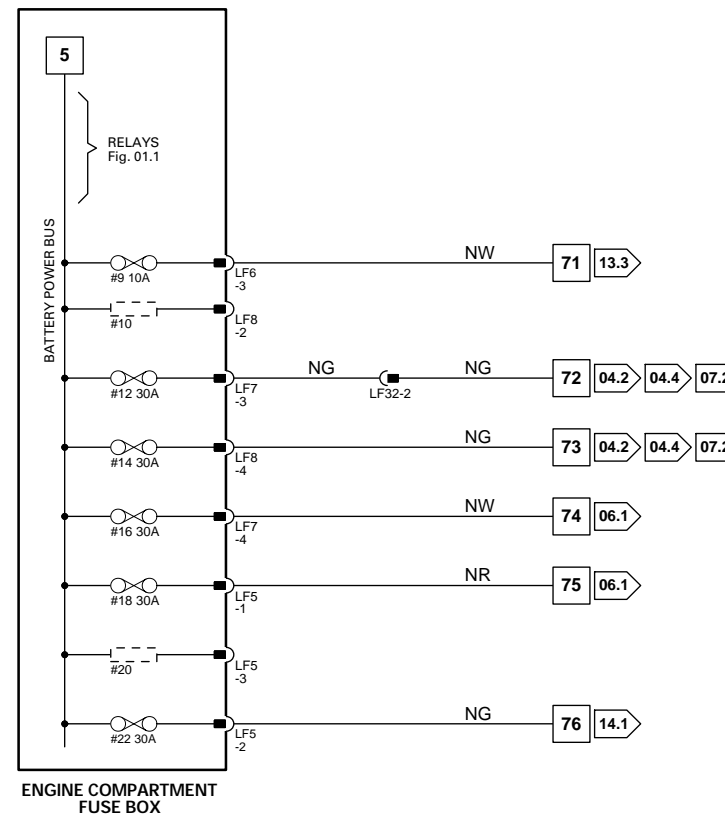
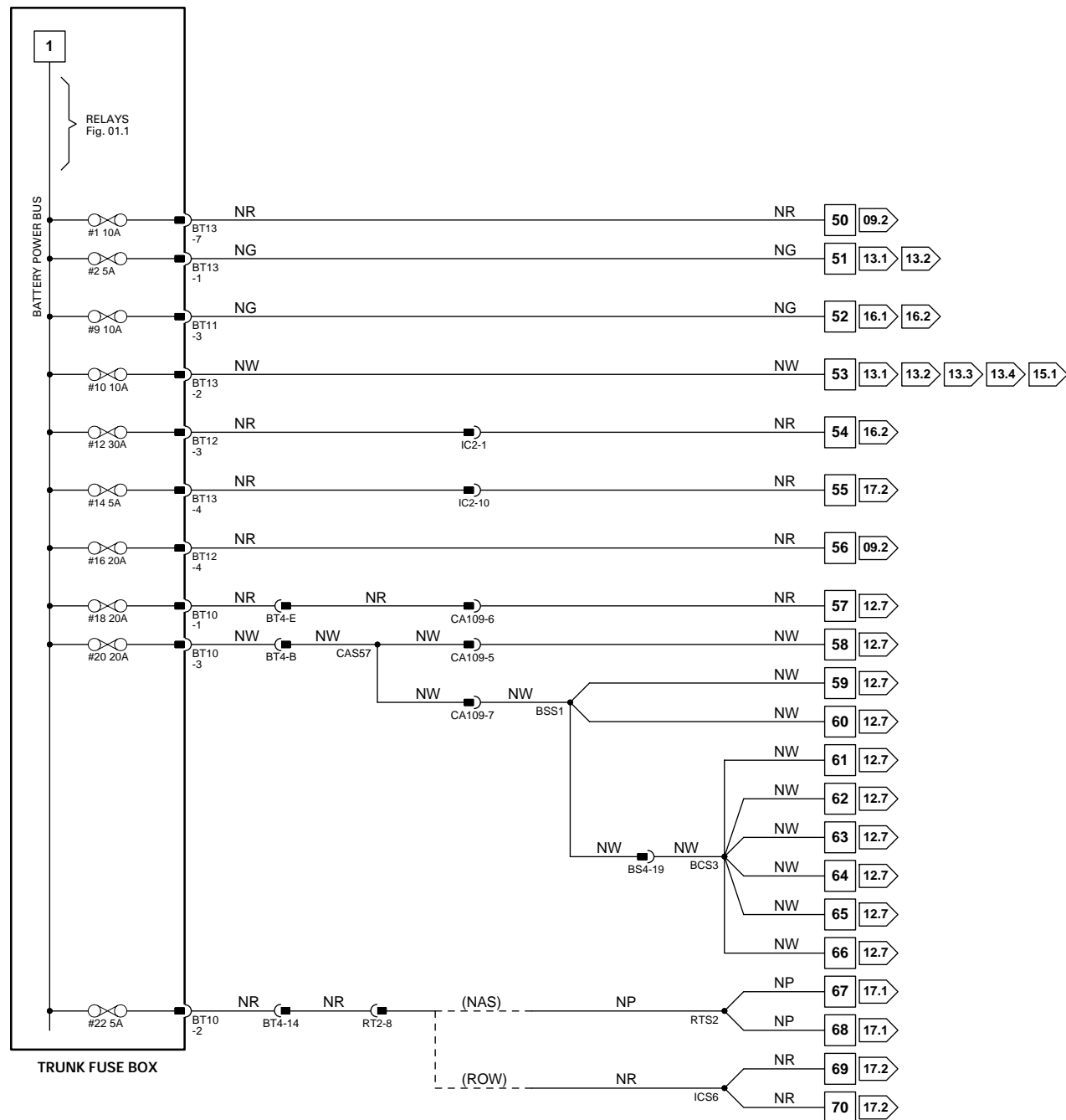
FUZE BOX - TRUNK

BT10 / 10-WAY U.T.A. FUZE BOX / NATURAL
BT11 / 10-WAY U.T.A. FUZE BOX / BLACK
BT12 / 10-WAY U.T.A. FUZE BOX / GREEN
BT13 / 10-WAY U.T.A. FUZE BOX / BLUE
BT64 / EYELET

TRUNK ELECTRICAL CARRIER

HARNESS-TO-HARNESS CONNECTORS**Connector****Type / Color**BS4 20-WAY MULTILOCK 070 / WHITE
BT4 54-WAY THROUGH PANEL / GREY
CA109 12-WAY MULTILOCK 070 / WHITE
EM42 4-WAY YAZAKI / GREY
IC2 8-WAY MULTILOCK 070 / WHITE
LF32 4-WAY YAZAKI / GREY
RT2 10-WAY MULTILOCK 070 / WHITE**Location / Access**BELOW REAR CENTER CONSOLE SEAT SWITCHES
BELOW PARCEL SHELF / TRUNK / REAR BULKHEAD / RH SIDE
BELOW REAR SEAT CUSHION
BULKHEAD / REAR OF ENGINE
REARWARD OF FUEL TANK / BATTERY COVER
FORWARD OF LH FRONT SUSPENSION ARM
BELOW CENTER CONSOLE GLOVE BOX

Refer to the front of this book for detailed information and illustrations regarding the location and identification of harnesses, relays, grounds, control modules and control module pins.



VARIANT: All Vehicles
VIN RANGE: F20645 →
DATE OF ISSUE: September 2000

Fig. 01.4**COMPONENTS****Component**

FUSE BOX – ENGINE COMPARTMENT

Connector / Type / ColorLF5 / 10-WAY U.T.A. FUSE BOX / NATURAL
LF6 / 10-WAY U.T.A. FUSE BOX / BLACK
LF7 / 10-WAY U.T.A. FUSE BOX / GREEN
LF8 / 10-WAY U.T.A. FUSE BOX / BLUE
ST19 / EYELET**Location / Access**

ENGINE COMPARTMENT / LH FRONT

FUSE BOX – LH HEELBOARD

CA1 / 10-WAY U.T.A. FUSE BOX / NATURAL
CA2 / 10-WAY U.T.A. FUSE BOX / BLACK
ST15 / EYELET

LH HEELBOARD / HEELBOARD COVER

FUSE BOX – RH HEELBOARD

CA41 / 10-WAY U.T.A. FUSE BOX / NATURAL
CA42 / 10-WAY U.T.A. FUSE BOX / BLACK
ST13 / EYELET
ST14 / EYELET

RH HEELBOARD / HEELBOARD COVER

FUSE BOX – TRUNK

BT10 / 10-WAY U.T.A. FUSE BOX / NATURAL
BT11 / 10-WAY U.T.A. FUSE BOX / BLACK
BT12 / 10-WAY U.T.A. FUSE BOX / GREEN
BT13 / 10-WAY U.T.A. FUSE BOX / BLUE
BT64 / EYELET

TRUNK ELECTRICAL CARRIER

HARNESS-TO-HARNESS CONNECTORS**Connector****Type / Color**BT4 54-WAY THROUGH PANEL / GREY
CA19 20-WAY MULTILOCK 070 / YELLOW
CA20 20-WAY MULTILOCK 070 / YELLOW
CA109 12-WAY MULTILOCK 070 / WHITE
EM1 12-WAY AUGAT 1.6 / BLACK
EM42 4-WAY YAZAKI / GREY
EM51 12-WAY AUGAT 1.6 / GREY
FC1 54-WAY THROUGH PANEL CONNECTOR / GREY
FC5 54-WAY THROUGH PANEL CONNECTOR / GREY
IC1 14-WAY MULTILOCK 070 / WHITE
IC2 8-WAY MULTILOCK 070 / WHITE
LF3 54-WAY THROUGH PANEL CONNECTOR / GREY
RT2 10-WAY MULTILOCK 070 / WHITE**Location / Access**BELOW PARCEL SHELF / TRUNK / REAR BULKHEAD / RH SIDE
LH 'A' POST CONNECTOR MOUNTING BRACKET / LOWER 'A' POST FINISHER
RH 'A' POST CONNECTOR MOUNTING BRACKET / LOWER 'A' POST FINISHER
BELOW REAR SEAT CUSHION
ENGINE COMPARTMENT / ADJACENT TO ABS PUMP
BULKHEAD / REAR OF ENGINE
ENGINE COMPARTMENT / ADJACENT TO ABS PUMP
BELOW PASSENGER SIDE AIR VENT / GLOVE BOX ASSEMBLY
BELOW DRIVER SIDE AIR VENT / COIN TRAY
LH HEELBOARD
REARWARD OF FUEL TANK / BATTERY COVER
LH 'A' POST / LOWER 'A' POST FINISHER
BELOW CENTER CONSOLE GLOVE BOX

Refer to the front of this book for detailed information and illustrations regarding the location and identification of harnesses, relays, grounds, control modules and control module pins.

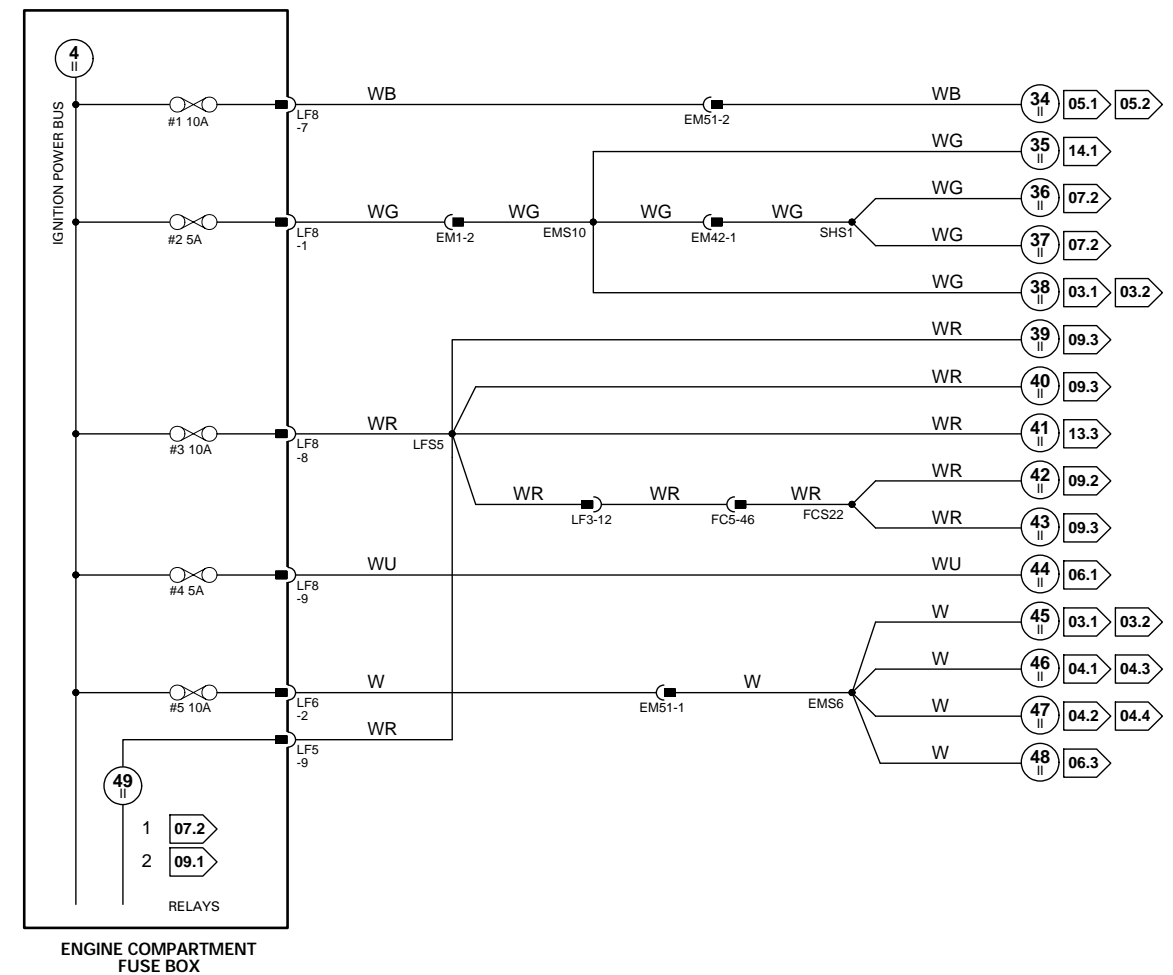
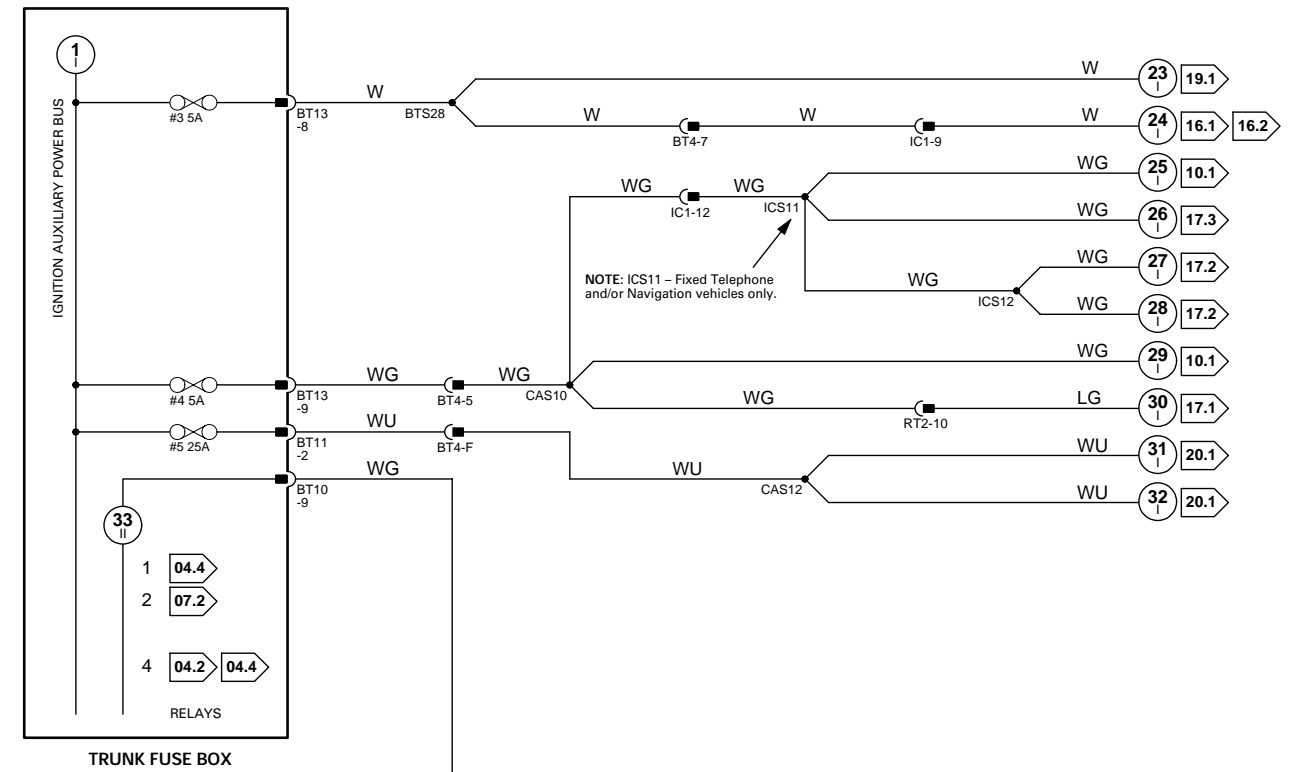
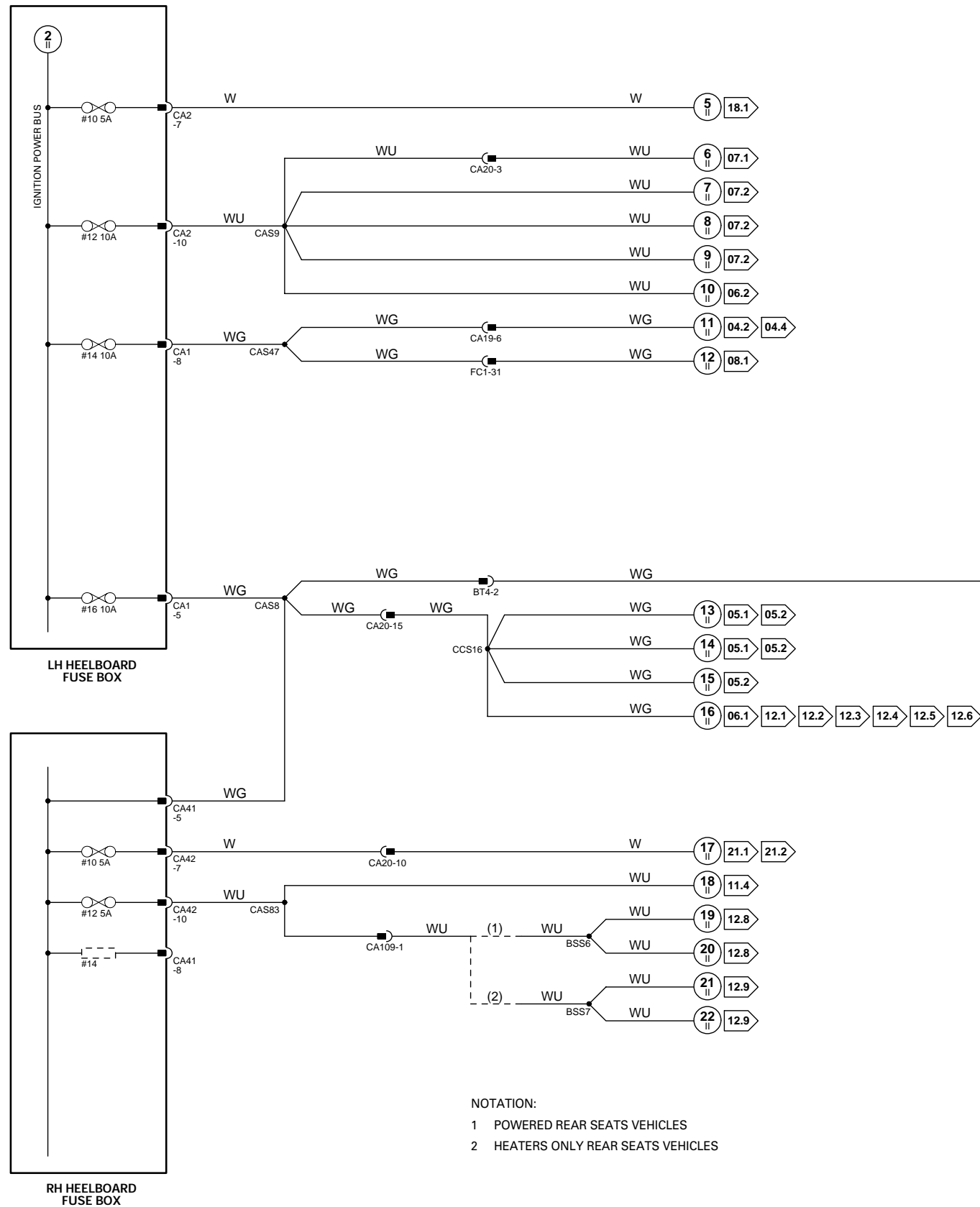


Fig. 01.5**COMPONENTS****Component**

FUSE BOX - ENGINE MANAGEMENT

Connector / Type / ColorEM19 / 10-WAY U.T.A. FUSE BOX / NATURAL
EM20 / 10-WAY U.T.A. FUSE BOX / BLACK
ST20 / EYELET
ST21 / EYELET**Location / Access**

ENGINE COMPARTMENT / CONTROL MODULE ENCLOSURE

HARNESS-TO-HARNESS CONNECTORS**Connector**CV2
EM2
EM51
FC1
PI1**Type / Color**3-WAY MULTILOCK 070 / WHITE
20-WAY MULTILOCK 070 / GREY
12-WAY AUGAT 1.6 / GREY
54-WAY THROUGH PANEL CONNECTOR / GREY
57-WAY SUMITOMO TS090 / BLACK**Location / Access**UNDER REAR SEAT
PASSENGER 'A' POST / LOWER 'A' POST FINISHER
ENGINE COMPARTMENT / ADJACENT TO ABS PUMP
BELOW PASSENGER SIDE AIR VENT / GLOVE BOX ASSEMBLY
ENGINE COMPARTMENT / BULKHEAD / REAR OF ENGINE

Refer to the front of this book for detailed information and illustrations regarding the location and identification of harnesses, relays, grounds, control modules and control module pins.

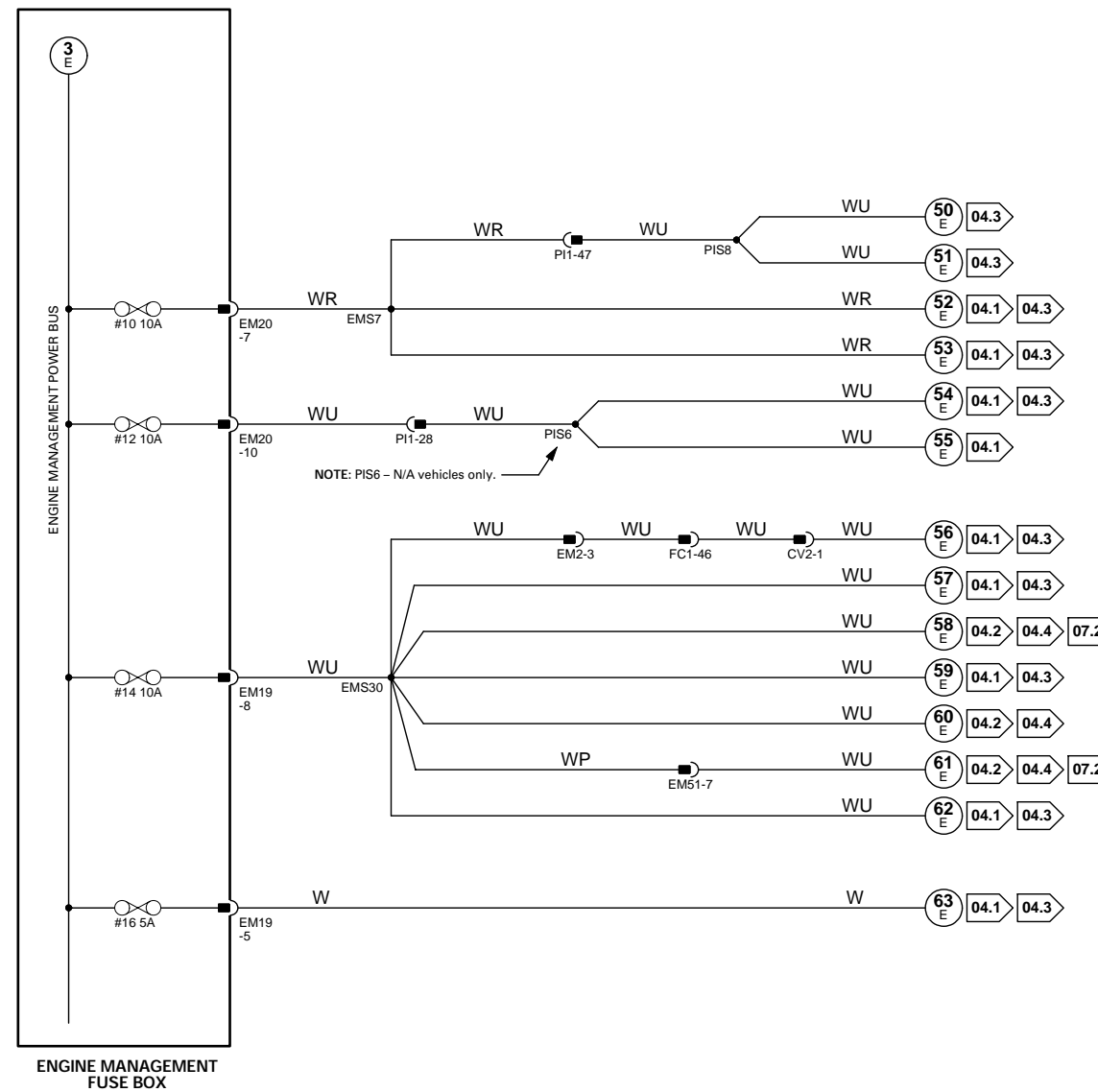


Fig. 02.1

COMPONENTS

Component	Connector / Type / Color	Location / Access
IGNITION SWITCH	FC4 / 8-WAY MULTILOCK 070 / WHITE	STEERING COLUMN
INERTIA SWITCH	CA6 / 3-WAY ECONOSEAL III LC / BLACK	RH 'A' POST / LOWER 'A' POST FINISHER

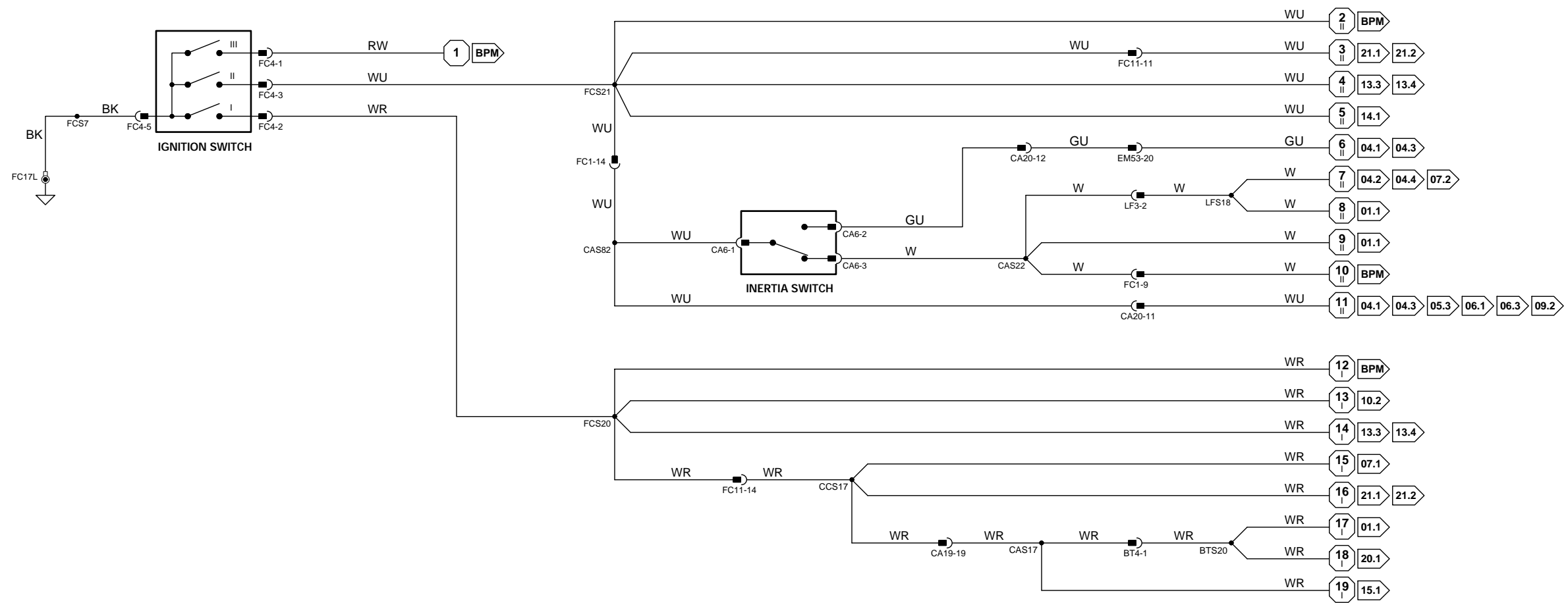
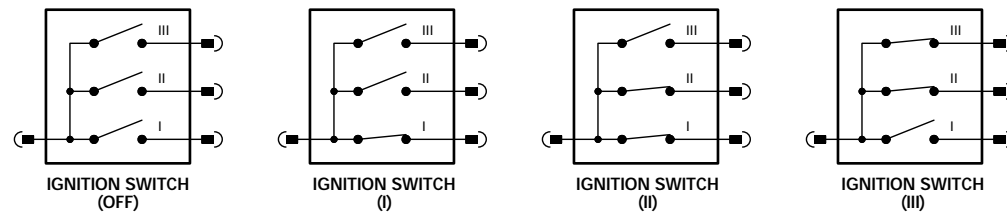
HARNESS-TO-HARNESS CONNECTORS

Connector	Type / Color	Location / Access
BT4	54-WAY THROUGH PANEL / GREY	BELOW PARCEL SHELF / TRUNK / REAR BULKHEAD / RH SIDE
CA19	20-WAY MULTILOCK 070 / YELLOW	LH 'A' POST CONNECTOR MOUNTING BRACKET / LOWER 'A' POST FINISHER
CA20	20-WAY MULTILOCK 070 / YELLOW	RH 'A' POST CONNECTOR MOUNTING BRACKET / LOWER 'A' POST FINISHER
EM53	20-WAY MULTILOCK 070 / WHITE	RH 'A' POST / LOWER 'A' POST FINISHER
FC1	54-WAY THROUGH PANEL CONNECTOR / GREY	BELOW PASSENGER SIDE AIR VENT / GLOVE BOX ASSEMBLY
FC11	18-WAY MULTILOCK 070 / WHITE	ABOVE DIMMER MODULE / COIN TRAY
LF3	54-WAY THROUGH PANEL CONNECTOR / GREY	LH 'A' POST / LOWER 'A' POST FINISHER

GROUNDS

Ground	Location / Type
FC17L	EYELET (PAIR) – EMS BULKHEAD GROUND STUD

Refer to the front of this book for detailed information and illustrations regarding the location and identification of harnesses, relays, grounds, control modules and control module pins.



BPM NOTE: Body Processor Module appears in numerous figures.

CONTROL MODULE PIN OUT INFORMATION

Fig. 03.1

BODY PROCESSOR MODULE

Pin	Description	Active	Inactive
I	FC15-7 NEUTRAL SWITCH STATUS	GROUND (N)	B+ (P, R, D, 4, 3, 2)
D	FC15-21 SERIAL COMMUNICATION – KEY TRANSPONDER	ENCODED COMMUNICATIONS	
D	FC15-39 SECURITY ACKNOWLEDGE	ENCODED COMMUNICATIONS	
I	FC15-41 STARTER ENGAGE REQUEST	GROUND (CRANKING)	B+
O	FC15-73 STARTER RELAY ACTIVATE	GROUND (CRANKING)	B+
I	FC15-80 BATTERY SUPPLY VOLTAGE	B+	B+
D	FC15-92 ENCODED COMMUNICATIONS		

ENGINE CONTROL MODULE

Pin	Description	Active	Inactive
I	EM81-12 PARK / NEUTRAL CONFIRMATION	B+ (P, N)	GROUND (R,D,4,3,2)
I	EM82-2 ENGINE CRANK	GROUND (CRANKING)	
D	EM82-15 OK TO START	ENCODED COMMUNICATIONS	
D	EM82-16 SECURITY ACKNOWLEDGE	ENCODED COMMUNICATIONS	

KEY TRANSPONDER MODULE

Pin	Description	Active	Inactive
D	FC22-9 SERIAL COMMUNICATION	ENCODED COMMUNICATIONS	
D	FC22-11 SERIAL COMMUNICATION – BPM	ENCODED COMMUNICATIONS	
D	FC22-16 OK TO START	ENCODED COMMUNICATIONS	
D	FC22-17 SECURITY ACKNOWLEDGE	ENCODED COMMUNICATIONS	

COMPONENTS

Component	Connector / Type / Color	Location / Access
BATTERY	BT66 / BATTERY CABLE CLAMP BT67 / BATTERY CABLE CLAMP	TRUNK / BATTERY COVER
BODY PROCESSOR MODULE ENGINE CONTROL MODULE	FC15 / 14-WAY AMP EEEC / GREY EM80 / 31-WAY AMP 403 / NATURAL EM81 / 24-WAY AMP 403 / NATURAL EM82 / 17-WAY AMP 403 / NATURAL EM83 / 28-WAY AMP 403 / NATURAL EM84 / 22-WAY AMP 403 / NATURAL EM85 / 12-WAY MULTILOCK 070 / WHITE	BULKHEAD / BEHIND GLOVE BOX ENGINE COMPARTMENT / CONTROL MODULE ENCLOSURE
GENERATOR	AN1 / EYELET AN2 / EYELET ST4 / EYELET	ENGINE COMPARTMENT / RH FRONT
HIGH POWER PROTECTION MODULE	BT60 / EYELET BT61 / EYELET BT62 / EYELET BT63 / EYELET	TRUNK / ADJACENT TO BATTERY
IGNITION SWITCH KEY TRANSPONDER MODULE NEUTRAL SWITCH REGULATOR (GENERATOR) STARTER MOTOR	FC4 / 8-WAY MULTILOCK 070 / WHITE FC22 / 20-WAY MULTILOCK 040 / GREEN CC21 / 3-WAY MULTILOCK 070 / GREY PI50 / 3-WAY SUMITOMO 92 / BLACK ST1 / EYELET ST2 / EYELET ST3 / EYELET	STEERING COLUMN BELOW INSTRUMENT PACK GEAR SELECTOR ASSEMBLY / CENTER CONSOLE ENGINE COMPARTMENT / RH FRONT ENGINE COMPARTMENT / ENGINE BLOCK / RH SIDE
SUPPRESSION MODULE	AN3 / 3-WAY ECONOSEAL III LC / RED	ENGINE COMPARTMENT / RIGHT FRONT

RELAYS

Relay	Case Color	Connector / Color	Location / Access
STARTER RELAY	BROWN	EM50 / BROWN	CONTROL MODULE ENCLOSURE RELAYS / ENGINE COMPARTMENT

HARNESS-TO-HARNESS CONNECTORS

Connector	Type / Color	Location / Access
EM2	20-WAY MULTILOCK 070 / GREY	PASSENGER 'A' POST / LOWER 'A' POST FINISHER
EM3	18-WAY MULTILOCK 070 / WHITE	PASSENGER 'A' POST / LOWER 'A' POST FINISHER
EM60	2-WAY ECONOSEAL J2 / GREY	ENGINE COMPARTMENT / ADJACENT RH TO FALSE BULKHEAD
FC7	20-WAY MULTILOCK 070 / YELLOW	ABOVE DIMMER MODULE / COIN TRAY
PI1	57-WAY SUMITOMO TS090 / BLACK	ENGINE COMPARTMENT / BULKHEAD / REAR OF ENGINE
PI2	13-WAY ECONOSEAL III LC / BLACK	ENGINE COMPARTMENT / BRACKET ON TOP OF TRANSMISSION
ST5	EYELET	ENGINE COMPARTMENT / RH FALSE BULKHEAD
ST6	EYELET	ENGINE COMPARTMENT / RH FALSE BULKHEAD

GROUND

Ground	Location / Type
BT65	EYELET (SINGLE) – BATTERY GROUND STUD
CC3R	EYELET (PAIR) – RH FRONT BULKHEAD STUD / CABIN SIDE
FC17L	EYELET (PAIR) – EMS BULKHEAD GROUND STUD

FOR CONTROL MODULE PIN OUT INFORMATION, UNFOLD PAGE TO LEFT.

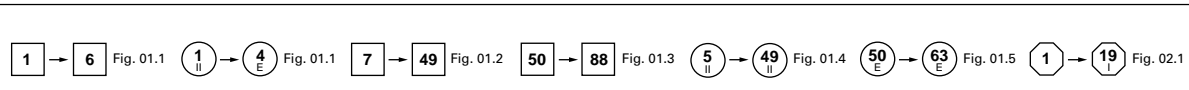
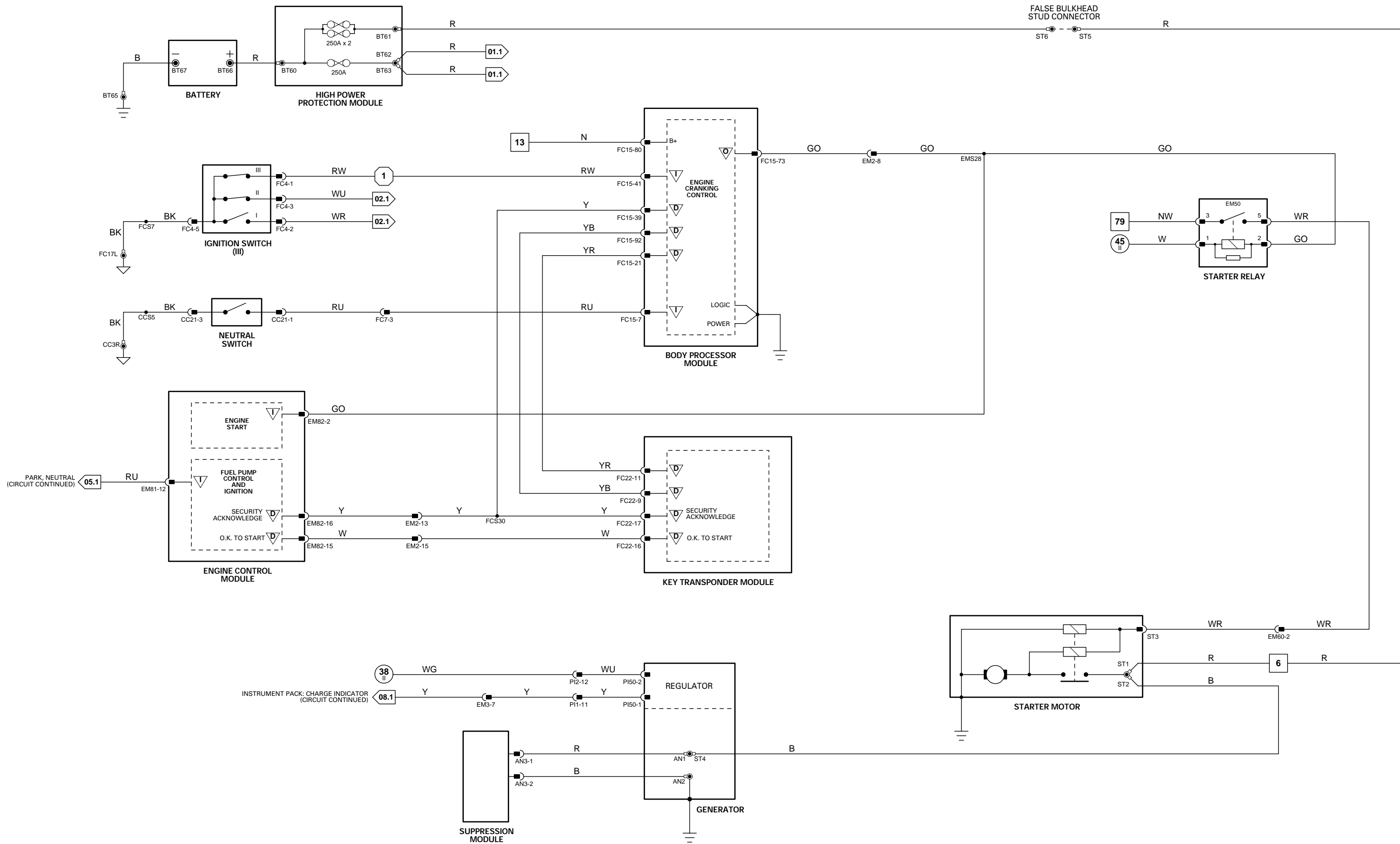
The following abbreviations are used to represent values for Control Module Pin-Out data

I	Input	SG	Sensor Ground	S	SCP Network	V	Voltage (DC)
O	Output	A	ACP Network	D	Serial and Encoded Data	Hz	Frequency
SS	Sensor Supply V	C	CAN (Network)	B+	Battery Voltage	kHz	Frequency x 1000

CAUTION: The information on this data page is furnished to aid the user in understanding circuit operation. THIS INFORMATION SHOULD BE USED FOR REFERENCE ONLY.

NOTE: The values listed are approximately those that can be expected at the control module connector pins with all circuit connections made and all components connected and fitted. "Active" means a load is applied or a switch is ON; "Inactive" means a load is not applied or a switch is OFF.

Refer to the front of this book for detailed information and illustrations regarding the location and identification of harnesses, relays, grounds, control modules and control module pins.



VARIANT: AJ27 N/A Vehicles
 VIN RANGE: F20645 →
 DATE OF ISSUE: September 2000

CONTROL MODULE PIN OUT INFORMATION

Fig. 03.2

BODY PROCESSOR MODULE

Pin	Description	Active	Inactive
I	FC15-7 NEUTRAL SWITCH STATUS	GROUND (N)	B+ (P, R, D, 4, 3, 2)
D	FC15-21 SERIAL COMMUNICATION – KEY TRANSPONDER	ENCODED COMMUNICATIONS	
D	FC15-39 SECURITY ACKNOWLEDGE	ENCODED COMMUNICATIONS	
I	FC15-41 STARTER ENGAGE REQUEST	GROUND (CRANKING)	B+
O	FC15-73 STARTER RELAY ACTIVATE	GROUND (CRANKING)	B+
I	FC15-80 BATTERY SUPPLY VOLTAGE	GROUND (CRANKING)	B+
D	FC15-92 ENCODED COMMUNICATIONS	B+	

ENGINE CONTROL MODULE

Pin	Description	Active	Inactive
I	EM81-12 PARK / NEUTRAL CONFIRMATION	B+ (P, N)	GROUND (R,D,4,3,2)
I	EM82-2 ENGINE CRANK	GROUND (CRANKING)	
D	EM82-15 OK TO START	ENCODED COMMUNICATIONS	
D	EM82-16 SECURITY ACKNOWLEDGE	ENCODED COMMUNICATIONS	

KEY TRANSPONDER MODULE

Pin	Description	Active	Inactive
D	FC22-9 SERIAL COMMUNICATION	ENCODED COMMUNICATIONS	
D	FC22-11 SERIAL COMMUNICATION – BPM	ENCODED COMMUNICATIONS	
D	FC22-16 OK TO START	ENCODED COMMUNICATIONS	
D	FC22-17 SECURITY ACKNOWLEDGE	ENCODED COMMUNICATIONS	

DUAL LINEAR SWITCH

Pin	Description	Active	Inactive
I	CC8-2 TCM / DUAL LINEAR SWITCH COMMON GROUND SUPPLY	GROUND	GROUND
O	CC8-4 NEUTRAL SWITCH STATUS	GROUND (N)	B+ (P, R, D, 4, 3, 2)
O	CC8-11 PARK / NEUTRAL CONFIRMATION	B+ (P, N)	GROUND (R, D, 4, 3, 2)

COMPONENTS

Component	Connector / Type / Color	Location / Access
BATTERY	BT66 / BATTERY CABLE CLAMP BT67 / BATTERY CABLE CLAMP	TRUNK / BATTERY COVER
BODY PROCESSOR MODULE DUAL LINEAR SWITCH ENGINE CONTROL MODULE	FC15 / 14-WAY AMP EEEEC / GREY CC8 / 12-WAY MULTILOCK 070 / GREY EM80 / 31-WAY AMP 403 / NATURAL EM81 / 24-WAY AMP 403 / NATURAL EM82 / 17-WAY AMP 403 / NATURAL EM83 / 28-WAY AMP 403 / NATURAL EM84 / 22-WAY AMP 403 / NATURAL EM85 / 12-WAY MULTILOCK 070 / WHITE	BULKHEAD / BEHIND GLOVE BOX RIGHT HAND SIDE OF GEAR SELECTOR / CENTER CONSOLE ENGINE COMPARTMENT / CONTROL MODULE ENCLOSURE
GENERATOR	AN1 / EYELET AN2 / EYELET ST4 / EYELET	ENGINE COMPARTMENT / RH FRONT
HIGH POWER PROTECTION MODULE	BT60 / EYELET BT61 / EYELET BT62 / EYELET BT63 / EYELET	TRUNK / ADJACENT TO BATTERY
IGNITION SWITCH KEY TRANSPONDER MODULE REGULATOR (GENERATOR) STARTER MOTOR	FC4 / 8-WAY MULTILOCK 070 / WHITE FC22 / 20-WAY MULTILOCK 040 / GREEN PI50 / 3-WAY SUMITOMO 92 / BLACK ST1 / EYELET ST2 / EYELET ST3 / EYELET	STEERING COLUMN BELOW INSTRUMENT PACK ENGINE COMPARTMENT / RH FRONT ENGINE COMPARTMENT / ENGINE BLOCK / RH SIDE
SUPPRESSION MODULE	AN3 / 3-WAY ECONOSEAL III LC / RED	ENGINE COMPARTMENT / RIGHT FRONT

RELAYS

Relay	Case Color	Connector / Color	Location / Access
STARTER RELAY	BROWN	EM50 / BROWN	CONTROL MODULE ENCLOSURE RELAYS / ENGINE COMPARTMENT

HARNESS-TO-HARNESS CONNECTORS

Connector	Type / Color	Location / Access
EM2	20-WAY MULTILOCK 070 / GREY	PASSENGER 'A' POST / LOWER 'A' POST FINISHER
EM3	18-WAY MULTILOCK 070 / WHITE	PASSENGER 'A' POST / LOWER 'A' POST FINISHER
EM60	2-WAY ECONOSEAL J2 / GREY	ENGINE COMPARTMENT / ADJACENT RH TO FALSE BULKHEAD
EM63	14-WAY MULTILOCK 070 / YELLOW	PASSENGER 'A' POST / LOWER 'A' POST FINISHER
FC7	20-WAY MULTILOCK 070 / YELLOW	ABOVE DIMMER MODULE / COIN TRAY
PI1	57-WAY SUMITOMO TS090 / BLACK	ENGINE COMPARTMENT / BULKHEAD / REAR OF ENGINE
PI2	13-WAY ECONOSEAL III LC / BLACK	ENGINE COMPARTMENT / BRACKET ON TOP OF TRANSMISSION
ST5	EYELET	ENGINE COMPARTMENT / RH FALSE BULKHEAD
ST6	EYELET	ENGINE COMPARTMENT / RH FALSE BULKHEAD

GROUNDS

Ground	Location / Type
BT65	EYELET (SINGLE) – BATTERY GROUND STUD
FC17L	EYELET (PAIR) – EMS BULKHEAD GROUND STUD
EM8R	EYELET (PAIR) – EMS LH GROUND STUD

FOR CONTROL MODULE PIN OUT INFORMATION, UNFOLD PAGE TO LEFT.

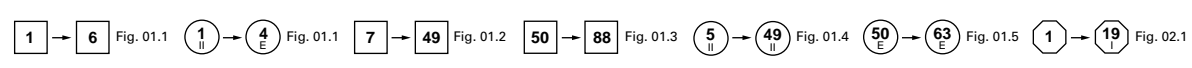
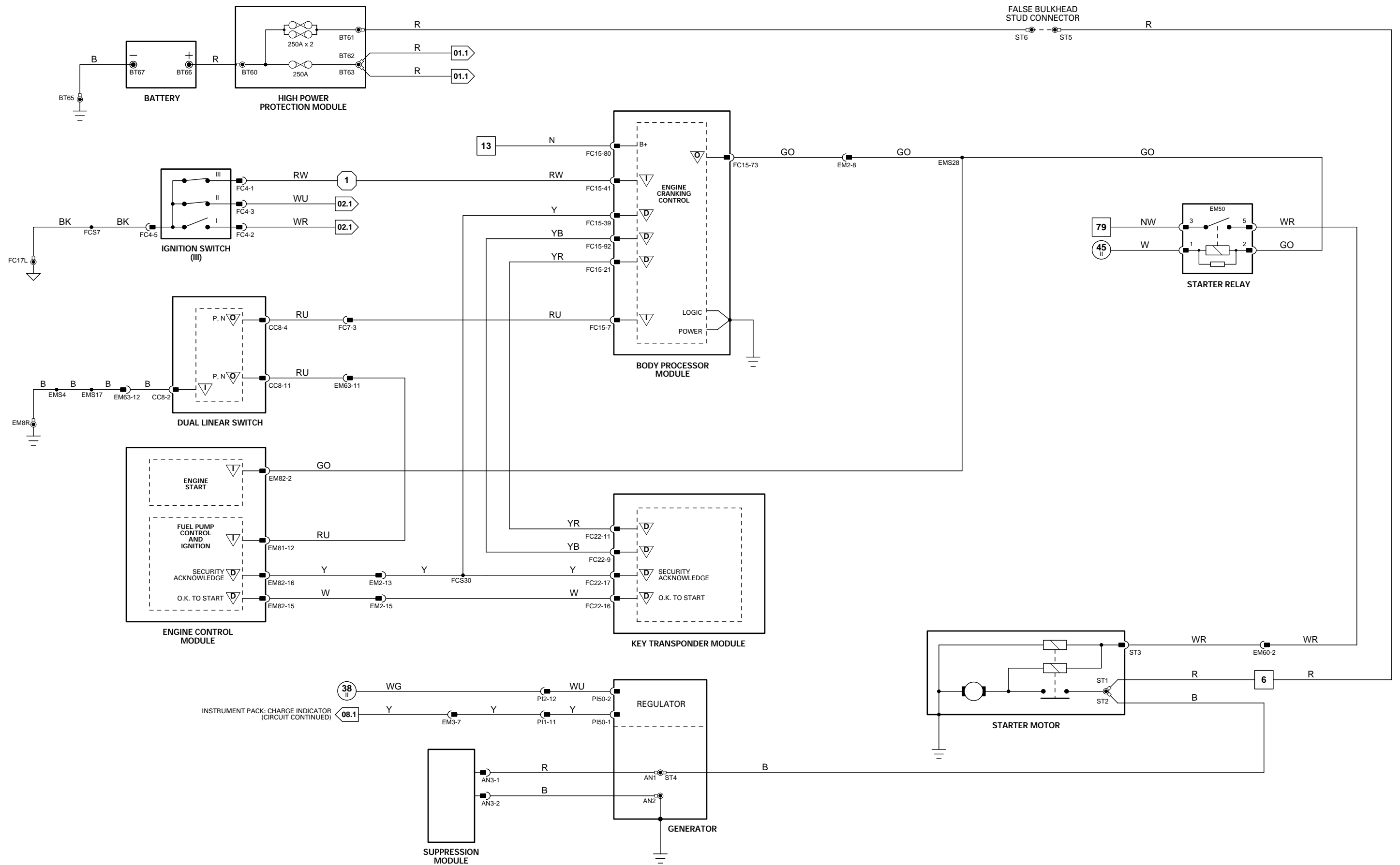
The following abbreviations are used to represent values for Control Module Pin-Out data

I	Input	SG	Sensor Ground	S	SCP Network	V	Voltage (DC)
O	Output	A	ACP Network	D	Serial and Encoded Data	Hz	Frequency
SS	Sensor Supply V	C	CAN (Network)	B+	Battery Voltage	kHz	Frequency x 1000

CAUTION: The information on this data page is furnished to aid the user in understanding circuit operation. THIS INFORMATION SHOULD BE USED FOR REFERENCE ONLY.

NOTE: The values listed are approximately those that can be expected at the control module connector pins with all circuit connections made and all components connected and fitted. "Active" means a load is applied or a switch is ON; "Inactive" means a load is not applied or a switch is OFF.

Refer to the front of this book for detailed information and illustrations regarding the location and identification of harnesses, relays, grounds, control modules and control module pins.



- ▽ Input
- ▽ Output
- ▽ Sensor Supply V
- ▽ Sensor Ground
- ▽ ACP
- ▽ CAN
- ▽ SCP
- ▽ Serial and Encoded Data

VARIANT: AJ27 SC Vehicles
 VIN RANGE: F20645 →
 DATE OF ISSUE: September 2000

CONTROL MODULE PIN OUT INFORMATION

Fig. 04.1

ENGINE CONTROL MODULE

Pin	Description	Active	Inactive
O	EM80-01	EVAP VALVE ACTIVATE	GROUND (VALVE OPEN)
O	EM80-02	CANISTER CLOSE VALVE ACTIVATE	B+
I	EM80-03	GROUND (POWER)	GROUND
O	EM80-04	THROTTLE MOTOR POWER SUPPLY	B+
O	EM80-05	THROTTLE MOTOR POWER SUPPLY	B+
O	EM80-06	THROTTLE MOTOR POWER SUPPLY	B+
O	EM80-07	THROTTLE MOTOR POWER SUPPLY	B+
I	EM80-08	THROTTLE MOTOR POWER SUPPLY	B+
I	EM80-09	THROTTLE MOTOR POWER SUPPLY	B+
I	EM80-15	EOT SIGNAL	2.5 V @ 34 °C; 0.5 V @ 90 °C; (DECREASING VOLTAGE WITH TEMPERATURE INCREASE)
D	EM80-17	SERIAL COMMUNICATIONS	
D	EM80-18	SERIAL COMMUNICATIONS	
D	EM80-19	ECM PROGRAMMING	
I	EM80-21	GROUND (THROTTLE MOTOR 1)	GROUND
D	EM80-27	ECM PROGRAMMING	
I	EM80-29	GROUND (LOGIC 2)	GROUND
I	EM80-31	GROUND (THROTTLE MOTOR 2)	GROUND
O	EM81-01	VARIABLE VALVE TIMING SOLENOID + 'A' BANK	B+ (12% DUTY CYCLE @ IDLE) (INCREASING WITH ADVANCE)
O	EM81-02	VARIABLE VALVE TIMING SOLENOID - 'A' BANK	GROUND
O	EM81-03	EMS CONTROLLED RELAY ACTIVATE	GROUND
O	EM81-06	VARIABLE VALVE TIMING SOLENOID + 'B' BANK	B+ (12% DUTY CYCLE @ IDLE) (INCREASING WITH ADVANCE)
O	EM81-07	VARIABLE VALVE TIMING SOLENOID - 'B' BANK	GROUND
I	EM81-08	GROUND (POWER)	GROUND
I	EM81-09	PEDAL POSITION SIGNAL (PPS/1)	0.6 V = FOOT OFF; 3.8 V = PEDAL FULLY DEPRESSED
I	EM81-10	TPS SIGNAL (TPS1)	0.5 V = IDLE; 4.75 V = WOT
I	EM81-12	PARK / NEUTRAL CONFIRMATION	GROUND (R,D,4,3,2)
I	EM81-16	FUEL TANK PRESSURE SENSOR SIGNAL	4.9 V = LOW PRESSURE, 0.2 V = HIGH PRESSURE
I	EM81-17	EMS SWITCHED POWER SUPPLY 1	B+
I	EM81-18	PEDAL POSITION SIGNAL (PPS/2)	0.8 V = FOOT OFF; 2.4 V = PEDAL FULLY DEPRESSED
I	EM81-19	TPS SIGNAL (TPS2)	0.6 V = IDLE; 4.85 V = WOT
I	EM81-21	GROUND (LOGIC 1)	GROUND
I	EM81-22	PARKING BRAKE SWITCH	GROUND (APPLIED)
SG	EM81-24	PEDAL POSITION / THROTTLE POSITION SENSORS SHIELD	GROUND
SS	EM82-01	SENSOR SUPPLY VOLTAGE 1	5 V
I	EM82-02	ENGINE CRANK	GROUND (CRANKING)
I	EM82-04	HO2S, UPSTREAM 'A' BANK - VARIABLE CURRENT (µA)	3.5 V
I	EM82-05	HO2S, UPSTREAM 'B' BANK - VARIABLE CURRENT (µA)	3.5 V
O	EM82-06	THROTTLE MOTOR POWER RELAY ACTIVATE	GROUND
SG	EM82-07	SENSORS SIGNAL GROUND 1	B+
I	EM82-08	BRAKE SWITCH	GROUND
I	EM82-09	IGNITION SWITCHED POWER SUPPLY	B+
SS	EM82-10	HO2S, UPSTREAM 'A' BANK - CONSTANT	3.8 V
SS	EM82-11	HO2S, UPSTREAM 'B' BANK - CONSTANT	3.8 V
I	EM82-12	INERTIA SWITCH ACTIVATED (VEHICLE IMPACT)	GROUND
I	EM82-13	EMS SWITCHED POWER SUPPLY 2	B+
I	EM82-14	ECT SIGNAL	0.41 V @ 90 °C (DECREASING VOLTAGE WITH TEMPERATURE INCREASE)
D	EM82-15	OK TO START	ENCODED COMMUNICATIONS
D	EM82-16	SECURITY ACKNOWLEDGE	ENCODED COMMUNICATIONS
I	EM82-17	IATS SIGNAL	0.98 V @ 10 °C (DECREASING VOLTAGE WITH TEMPERATURE INCREASE)
O	EM83-03	AIR ASSIST CLOSE VALVE ACTIVATE	8 V @ IDLE (78% DUTY CYCLE)
SS	EM83-05	SENSOR SUPPLY VOLTAGE 2	5 V
SG	EM83-06	SENSOR SHIELD	GROUND
SG	EM83-07	CKPS SIGNAL GROUND	GROUND
I	EM83-08	CKPS SIGNAL	5 V @ 1000 RPM = 45 Hz; 2000 RPM = 90 Hz
SG	EM83-09	CMPS, 'A' BANK SIGNAL GROUND	GROUND
SG	EM83-12	HO2S SHIELD	GROUND
SG	EM83-13	SENSORS SIGNAL GROUND 2	GROUND
I	EM83-14	KNOCK SENSOR, 'A' BANK SIGNAL	0 kHz = NO KNOCK, 2 - 20 kHz = KNOCK
C	EM83-15	CAN NETWORK	15 - 1500 Hz
C	EM83-16	CAN NETWORK	15 - 1500 Hz
SG	EM83-17	CMPS, 'B' BANK SIGNAL GROUND	GROUND
I	EM83-18	CMPS, 'B' BANK SIGNAL	0.7 - 1 VAC @ 1000 RPM = 43 Hz; 2000 RPM = 72 Hz
I	EM83-19	CMPS, 'A' BANK SIGNAL	0.7 - 1 VAC @ 1000 RPM = 43 Hz; 2000 RPM = 72 Hz
I	EM83-20	BATTERY POWER SUPPLY	B+
I	EM83-21	HO2S, 'A' BANK DOWNSTREAM	0.1 - 0.9 V @ IDLE (SWING)
I	EM83-22	HO2S, 'B' BANK DOWNSTREAM	0.1 - 0.9 V @ IDLE (SWING)
I	EM83-23	KNOCK SENSOR, 'B' BANK SIGNAL	0 kHz = NO KNOCK, 2 - 20 kHz = KNOCK
C	EM83-24	CAN NETWORK	15 - 1500 Hz
C	EM83-25	CAN NETWORK	15 - 1500 Hz
SG	EM83-26	MAFS REFERENCE GROUND	GROUND
SG	EM83-27	MAFS REFERENCE GROUND	GROUND
I	EM83-28	MAFS SIGNAL	1.2 V @ IDLE, INCREASING WITH RPM INCREASE
I	EM84-01	GROUND (DOWNSTREAM HO2S HEATERS)	GROUND
O	EM84-07	HO2S HEATER, 'A' BANK DOWNSTREAM CONTROL	GROUND (20 - 60% DUTY CYCLE)
O	EM84-15	HO2S HEATER, 'B' BANK DOWNSTREAM CONTROL	GROUND (20 - 60% DUTY CYCLE)
I	EM84-16	GROUND (INJECTORS 1A, 2B, 3B, 4A)	GROUND
I	EM84-22	GROUND (INJECTORS 1B, 2A, 3A, 4B)	GROUND
O	EM85-01	HO2S HEATER, 'A' BANK UPSTREAM CONTROL	GROUND (85 - 90% DUTY CYCLE AT IDLE)
O	EM85-02	HO2S HEATER, 'B' BANK UPSTREAM CONTROL	GROUND (85 - 90% DUTY CYCLE AT IDLE)
O	EM85-05	"COOL BOX" COOLING FAN ACTIVATE	GROUND
I	EM85-06	GROUND (HO2S A UPSTREAM HEATER)	GROUND
I	EM85-07	GROUND (HO2S B UPSTREAM HEATER)	GROUND
I	EM85-08	HO2S HEATERS OBD MONITOR	HEATERS ACTIVE = B+ V

NOTE: Refer to the Appendix at the rear of this book for CAN and SCP Network messages.

The following abbreviations are used to represent values for Control Module Pin-Out data

I	Input	SG	Sensor Ground	S	SCP Network	V	Voltage (DC)
O	Output	A	ACP Network	D	Serial and Encoded Data	Hz	Frequency
SS	Sensor Supply V	C	CAN (Network)	B+	Battery Voltage	kHz	Frequency x 1000

CAUTION: The information on this data page is furnished to aid the user in understanding circuit operation. THIS INFORMATION SHOULD BE USED FOR REFERENCE ONLY.

NOTE: The values listed are approximately those that can be expected at the control module connector pins with all circuit connections made and all components connected and fitted. "Active" means a load is applied or a switch is ON; "Inactive" means a load is not applied or a switch is OFF.

COMPONENTS

Component	Connector / Type / Color	Location / Access
AIR ASSIST CLOSE VALVE	PI29 / 3-WAY SUMITOMO SS / GREY	THROTTLE ASSEMBLY
BRAKE SWITCH	CC40 / 4-WAY MULTILOCK 070 / WHITE	ADJACENT TO THE BRAKE PEDAL MOUNTING ASSEMBLY
CCV: CANISTER CLOSE VALVE	CV1 / 2-WAY YAZAKI 90 / BLACK	UNDER VEHICLE / RH REAR
CKPS: CRANKSHAFT POSITION SENSOR	PI17 / 2-WAY ECONOSEAL III HC / BLACK	ENGINE / REAR OF BED PLATE
CMPS: CAMSHAFT POSITION SENSOR - 'A' BANK	PI16 / 2-WAY YAZAKI / BLACK	ENGINE COMPARTMENT / 'A' BANK CYLINDER HEAD, REAR
CMPS: CAMSHAFT POSITION SENSOR - 'B' BANK	PI15 / 2-WAY YAZAKI / BLACK	ENGINE COMPARTMENT / 'B' BANK CYLINDER HEAD, REAR
ECM AND TCM COOLING FAN	EM66 / 2-WAY MULTILOCK 070 / WHITE	ENGINE COMPARTMENT / CONTROL MODULE ENCLOSURE
ENGINE CONTROL MODULE	EM80 / 31-WAY AMP 403 / NATURAL EM81 / 24-WAY AMP 403 / NATURAL EM82 / 17-WAY AMP 403 / NATURAL EM83 / 28-WAY AMP 403 / NATURAL EM84 / 22-WAY AMP 403 / NATURAL EM85 / 12-WAY MULTILOCK 070 / WHITE	ENGINE COMPARTMENT / CONTROL MODULE ENCLOSURE
ECTS: ENGINE COOLANT TEMPERATURE SENSOR	PI4 / 2-WAY ECONOSEAL E J2 / GREY	ENGINE COMPARTMENT / REAR OF ENGINE TOP HOSE
EOTS: ENGINE OIL TEMPERATURE SENSOR	PI38 / 2-WAY ECONOSEAL EC J2 / GREY	ENGINE BLOCK / BELOW GENERATOR
EVAPP: EVAP CANISTER PURGE VALVE	EM39 / 3-WAY ECONOSEAL J2+ / BLACK	ENGINE COMPARTMENT / BULKHEAD
FTPS: FUEL TANK PRESSURE SENSOR	FP1 / 3-WAY ECONOSEAL III LC / BLACK	TOP OF FUEL TANK / TRUNK CARPET
HO2S: HEATED OXYGEN SENSOR (DOWNSTREAM) - 'A' BANK	EM22 / 2-WAY SUMITOMO 0902 / BLACK	ENGINE COMPARTMENT / BRACKET ON TOP OF TRANSMISSION
HO2S: HEATED OXYGEN SENSOR (DOWNSTREAM) - 'B' BANK	EM24 / 2-WAY SUMITOMO 0902 / BLACK	ENGINE COMPARTMENT / BRACKET ON TOP OF TRANSMISSION
HO2S: HEATED OXYGEN SENSOR (UPSTREAM) - 'A' BANK	EM21 / 4-WAY SUMITOMO 0902 / GREY	ENGINE COMPARTMENT / BRACKET ON TOP OF TRANSMISSION
HO2S: HEATED OXYGEN SENSOR (UPSTREAM) - 'B' BANK	EM23 / 4-WAY SUMITOMO 0902 / GREY	ENGINE COMPARTMENT / BRACKET ON TOP OF TRANSMISSION
KS: KNOCK SENSOR - 'A' BANK	PI26 / 2-WAY ECONOSEAL III LC / BLACK	ENGINE VEE / UNDER INTAKE MANIFOLD
KS: KNOCK SENSOR - 'B' BANK	PI27 / 2-WAY ECONOSEAL III LC / BLACK	ENGINE VEE / UNDER INTAKE MANIFOLD
MAFS: MASS AIR FLOW SENSOR	PI35 / 5-WAY YAZAKI 92 / BLACK	ENGINE COMPARTMENT / REARWARD OF AIR CLEANER
PARKING BRAKE SWITCH	CC11 / 2-WAY MULTILOCK 040 / BLACK	CENTER CONSOLE ASSEMBLY
PPS: PEDAL POSITION SENSORS	PI42 / 5-WAY SUMITOMO TS090 / BLACK	ENGINE COMPARTMENT / ON THROTTLE ASSEMBLY
THROTTLE MOTOR	PI33 / 2-WAY SUMITOMO HM250 / BLACK	ENGINE COMPARTMENT / THROTTLE ASSEMBLY
TPS: THROTTLE POSITION SENSORS	PI6 / 4-WAY ECONOSEAL J2T / BLACK	ENGINE COMPARTMENT / ON THROTTLE ASSEMBLY
VVT SOLENOID VALVE - 'A' BANK	PI31 / 2-WAY YAZAKI 0902 / BLACK	ENGINE COMPARTMENT / 'A' BANK CYLINDER HEAD / FRONT
VVT SOLENOID VALVE - 'B' BANK	PI32 / 2-WAY YAZAKI 0902 / BLACK	ENGINE COMPARTMENT / 'B' BANK CYLINDER HEAD / FRONT

RELAYS

Relay	Case Color	Connector / Color	Location / Access
THROTTLE MOTOR POWER RELAY	BROWN	EM49 / BROWN	CONTROL MODULE ENCLOSURE RELAYS / ENGINE COMPARTMENT
O2S HEATERS RELAY	BROWN	EM75 / BROWN	CONTROL MODULE ENCLOSURE RELAYS / ENGINE COMPARTMENT

HARNESS-TO-HARNESS CONNECTORS

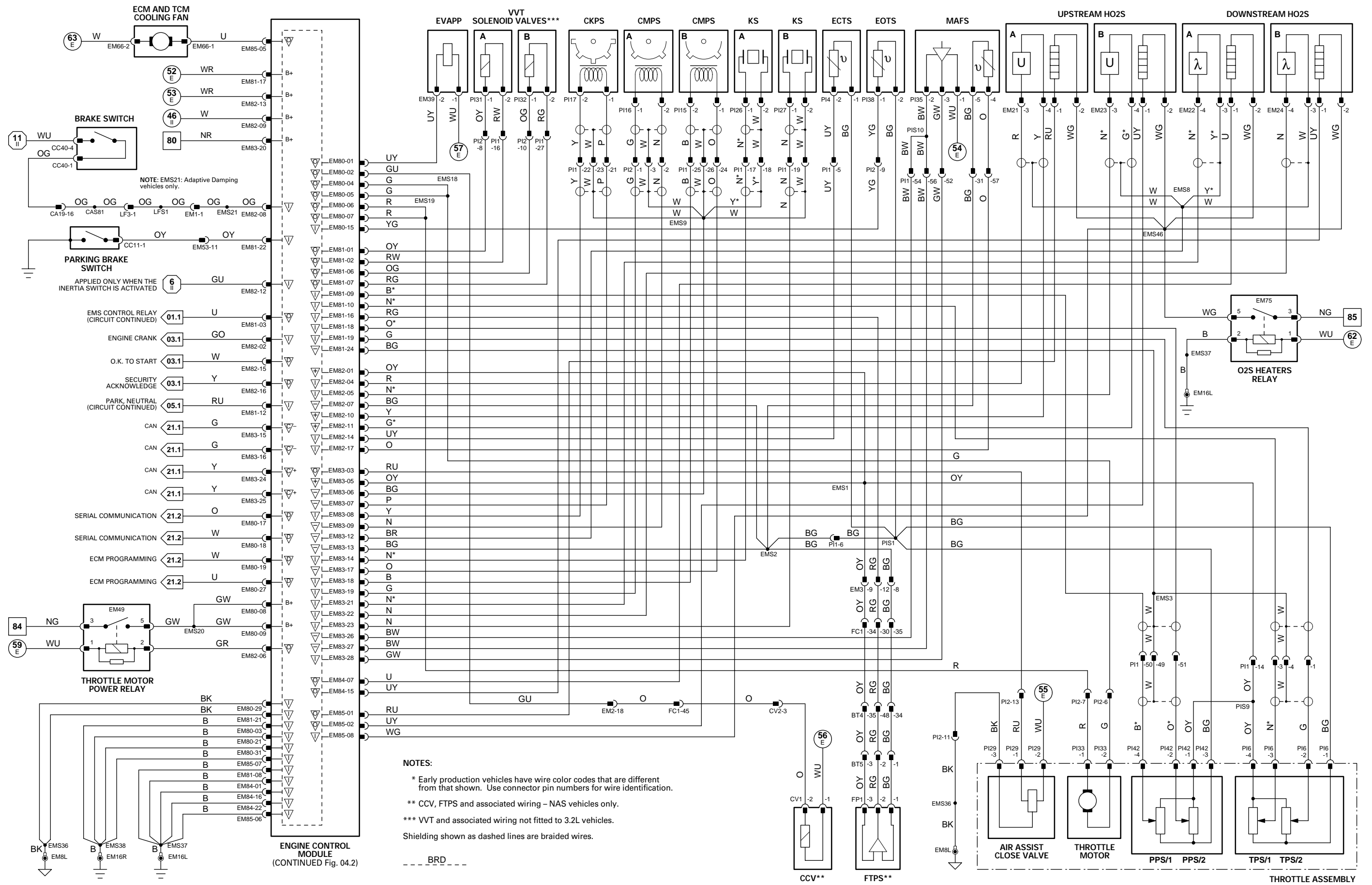
Connector	Type / Color	Location / Access
BT4	54-WAY THROUGH PANEL / GREY	BELOW PARCEL SHELF / TRUNK / REAR BULKHEAD / RH SIDE
BT5	3-WAY MULTILOCK 070 / WHITE	TOP OF FUEL TANK / TRUNK CARPET
CA19	20-WAY MULTILOCK 070 / YELLOW	LH 'A' POST CONNECTOR MOUNTING BRACKET / LOWER 'A' POST FINISHER
CV2	3-WAY MULTILOCK 070 / WHITE	UNDER REAR SEAT
EM1	12-WAY AUGAT 1.6 / BLACK	ENGINE COMPARTMENT / ADJACENT TO ABS PUMP
EM2	20-WAY MULTILOCK 070 / GREY	PASSENGER 'A' POST / LOWER 'A' POST FINISHER
EM3	18-WAY MULTILOCK 070 / WHITE	PASSENGER 'A' POST / LOWER 'A' POST FINISHER
EM53	20-WAY MULTILOCK 070 / WHITE	PASSENGER 'A' POST / LOWER 'A' POST FINISHER
FC1	54-WAY THROUGH PANEL CONNECTOR / GREY	BELOW PASSENGER SIDE AIR VENT / GLOVE BOX ASSEMBLY
LF3	54-WAY THROUGH PANEL CONNECTOR / GREY	LH 'A' POST / LOWER 'A' POST FINISHER
PI1	57-WAY SUMITOMO TS090 / BLACK	ENGINE COMPARTMENT / BULKHEAD / REAR OF ENGINE
PI2	13-WAY ECONOSEAL III LC / BLACK	ENGINE COMPARTMENT / BRACKET ON TOP OF TRANSMISSION

GROUNDS

Ground	Location / Type
EM8L	EYELET (PAIR) - EMS LH GROUND STUD
EM16L	EYELET (PAIR) - EMS BULKHEAD GROUND STUD
EM16R	EYELET (PAIR) - EMS BULKHEAD GROUND STUD

FOR CONTROL MODULE PIN OUT INFORMATION, UNFOLD PAGE TO LEFT.

Refer to the front of this book for detailed information and illustrations regarding the location and identification of harnesses, relays, grounds, control modules and control module pins.



NOTES:
 * Early production vehicles have wire color codes that are different from that shown. Use connector pin numbers for wire identification.
 ** CCV, FTFS and associated wiring – NAS vehicles only.
 *** VVT and associated wiring not fitted to 3.2L vehicles.
 Shielding shown as dashed lines are braided wires.

CONTROL MODULE PIN OUT INFORMATION

AIR CONDITIONING CONTROL MODULE

Pin	Description	Active	Inactive
I	CC28-1	COMPRESSOR CLUTCH STATUS	B+ (ON)
O	CC30-1	AIR CONDITIONING ELECTRICAL LOAD SIGNAL	B+
I	CC31-7	LOAD INHIBIT	0 V
O	CC31-9	COMPRESSOR CLUTCH ON REQUEST	B+
I	CC31-17	REFRIGERANT 4-WAY PRESSURE SWITCH	0 V (2 – 30 BAR)

ENGINE CONTROL MODULE

Pin	Description	Active	Inactive
I	EM80-10	REFRIGERANT 4-WAY PRESSURE SWITCH HIGH PRESSURE	GROUND @ 20 BAR (290 PSI)
I	EM80-11	A/CCM COMPRESSOR CLUTCH REQUEST	B+
O	EM80-12	ELECTRICAL LOAD INHIBIT	GROUND
O	EM80-16	CRUISE CONTROL ON STATUS LED	GROUND
D	EM80-17	SERIAL COMMUNICATIONS	
D	EM80-18	SERIAL COMMUNICATIONS	
D	EM80-19	ECM PROGRAMMING	
I	EM80-20	CRUISE CONTROL BRAKE CANCEL REQUEST	GROUND
I	EM80-22	REFRIGERANT 4-WAY PRESSURE SWITCH HIGH PRESSURE	GROUND @ 12 BAR (174 PSI)
I	EM80-23	A/CCM ELECTRICAL LOAD REQUEST (HEATED WINDSHIELD)	B+
O	EM80-25	AIR CONDITIONING COMPRESSOR RELAY ACTIVATE	GROUND
O	EM81-04	PARALLEL (HIGH) SPEED FAN ACTIVATE	GROUND
O	EM81-05	SERIES (LOW) SPEED FAN ACTIVATE	GROUND
I	EM81-13	CRUISE CONTROL ON REQUEST	B+
I	EM81-14	CRUISE CONTROL SET +/-	7.3 V = (+), 8.8 V = (-)B+
I	EM81-15	CRUISE CONTROL CANCEL / RESUME	7.3 V = RESUME, 8.8 V = CANCEL B+
I	EM83-04	FUEL PUMP RELAY ACTIVATE	GROUND
I	EM83-10	IGNITION MODULES 1A, 2B, 3B, 4A OBD MONITOR	23 Hz @ IDLE (5 V)
I	EM83-11	IGNITION MODULES 1B, 2A, 3A, 4B OBD MONITOR	23 Hz @ IDLE (5 V)
O	EM84-02	INJECTOR 1A ACTIVATE	GROUND
O	EM84-03	INJECTOR 3B ACTIVATE	GROUND
O	EM84-04	INJECTOR 2B ACTIVATE	GROUND
O	EM84-05	INJECTOR 4A ACTIVATE	GROUND
O	EM84-06	INJECTOR 1B ACTIVATE	GROUND
O	EM84-09	IGNITION MODULE 4A SWITCHING	GROUND (85 – 90% DUTY CYCLE @ IDLE)
O	EM84-10	IGNITION MODULE 3A SWITCHING	GROUND (85 – 90% DUTY CYCLE @ IDLE)
O	EM84-11	IGNITION MODULE 2A SWITCHING	GROUND (85 – 90% DUTY CYCLE @ IDLE)
O	EM84-12	IGNITION MODULE 1A SWITCHING	GROUND (85 – 90% DUTY CYCLE @ IDLE)
I	EM84-13	INJECTOR 4B ACTIVATE	GROUND
I	EM84-14	INJECTOR 3A ACTIVATE	GROUND
O	EM84-17	IGNITION MODULE 4B SWITCHING	GROUND (85 – 90% DUTY CYCLE @ IDLE)
O	EM84-18	IGNITION MODULE 3B SWITCHING	GROUND (85 – 90% DUTY CYCLE @ IDLE)
O	EM84-19	IGNITION MODULE 2B SWITCHING	GROUND (85 – 90% DUTY CYCLE @ IDLE)
O	EM84-20	IGNITION MODULE 1B SWITCHING	GROUND (85 – 90% DUTY CYCLE @ IDLE)
O	EM84-21	INJECTOR 2A ACTIVATE	GROUND

Fig. 04.2

COMPONENTS

Component	Connector / Type / Color	Location / Access
AIR CONDITIONING COMPRESSOR CLUTCH	PI36 / 1-WAY SUMITOMO 90 A TYPE / BLACK	ENGINE COMPARTMENT / A/C COMPRESSOR
A/CCM: AIR CONDITIONING CONTROL MODULE	CC28 / 26-WAY MULTILOCK 47 / GREY CC29 / 16-WAY MULTILOCK 47 / GREY CC30 / 12-WAY MULTILOCK 47 / GREY CC31 / 22-WAY MULTILOCK 47 / GREY CC40 / 4-WAY MULTILOCK 070 / WHITE CC20 / 10-WAY AMP MICRO QUAD LOCK / NATURAL SW3 / 3-WAY EPC / BLACK	RH SIDE OF TRANSMISSION TUNNEL / GLOVE BOX ASSEMBLY
BRAKE CANCEL SWITCH	EM80 / 31-WAY AMP 403 / NATURAL	ADJACENT TO THE BRAKE PEDAL MOUNTING ASSEMBLY
CRUISE CONTROL ON / OFF SWITCH	EM81 / 24-WAY AMP 403 / NATURAL	CENTER CONSOLE ASSEMBLY
CRUISE CONTROL SWITCHES (STEERING WHEEL)	EM82 / 17-WAY AMP 403 / NATURAL EM83 / 28-WAY AMP 403 / NATURAL EM84 / 22-WAY AMP 403 / NATURAL EM85 / 12-WAY MULTILOCK 070 / WHITE	CENTER OF STEERING WHEEL ENGINE COMPARTMENT / CONTROL MODULE ENCLOSURE
ENGINE CONTROL MODULE	PI7 / 2-WAY AMP JUNIOR POWER TIMER / BLACK PI11 / 2-WAY AMP JUNIOR POWER TIMER / BLACK PI8 / 2-WAY AMP JUNIOR POWER TIMER / BLACK PI12 / 2-WAY AMP JUNIOR POWER TIMER / BLACK PI9 / 2-WAY AMP JUNIOR POWER TIMER / BLACK PI13 / 2-WAY AMP JUNIOR POWER TIMER / BLACK PI10 / 2-WAY AMP JUNIOR POWER TIMER / BLACK PI14 / 2-WAY AMP JUNIOR POWER TIMER / BLACK BT17 / 6-WAY SUMITOMO DL090 / NATURAL BT10 / 10-WAY U.T.A. FUSE BOX / NATURAL BT11 / 10-WAY U.T.A. FUSE BOX / BLACK BT12 / 10-WAY U.T.A. FUSE BOX / GREEN BT13 / 10-WAY U.T.A. FUSE BOX / BLUE BT64 / EYELET	ENGINE COMPARTMENT / INTAKE MANIFOLD / FUEL RAIL ENGINE COMPARTMENT / INTAKE MANIFOLD / FUEL RAIL ENGINE COMPARTMENT / INTAKE MANIFOLD / FUEL RAIL ENGINE COMPARTMENT / INTAKE MANIFOLD / FUEL RAIL ENGINE COMPARTMENT / INTAKE MANIFOLD / FUEL RAIL ENGINE COMPARTMENT / INTAKE MANIFOLD / FUEL RAIL ENGINE COMPARTMENT / INTAKE MANIFOLD / FUEL RAIL ENGINE COMPARTMENT / INTAKE MANIFOLD / FUEL RAIL ENGINE COMPARTMENT / INTAKE MANIFOLD / FUEL RAIL EVAPORATIVE FLANGE / TOP OF FUEL TANK TRUNK ELECTRICAL CARRIER
FUEL INJECTOR – 1A	PI51 / 4-WAY YAZAKI / BLACK	ENGINE COMPARTMENT / CAMSHAFT COVER
FUEL INJECTOR – 1B	PI55 / 4-WAY YAZAKI / BLACK	ENGINE COMPARTMENT / CAMSHAFT COVER
FUEL INJECTOR – 2A	PI52 / 4-WAY YAZAKI / BLACK	ENGINE COMPARTMENT / CAMSHAFT COVER
FUEL INJECTOR – 2B	PI56 / 4-WAY YAZAKI / BLACK	ENGINE COMPARTMENT / CAMSHAFT COVER
FUEL INJECTOR – 3B	PI53 / 4-WAY YAZAKI / BLACK	ENGINE COMPARTMENT / CAMSHAFT COVER
FUEL INJECTOR – 4A	PI57 / 4-WAY YAZAKI / BLACK	ENGINE COMPARTMENT / CAMSHAFT COVER
FUEL INJECTOR – 4B	PI54 / 4-WAY YAZAKI / BLACK	ENGINE COMPARTMENT / CAMSHAFT COVER
FUEL PUMP	PI58 / 4-WAY YAZAKI / BLACK	ENGINE COMPARTMENT / CAMSHAFT COVER
FUSE BOX – TRUNK	LF31 / 8-WAY TRW / BLACK CF1 / 2-WAY REINSHAGEN / BLACK CF2 / 2-WAY REINSHAGEN / BLACK LF26 / 6-WAY ECONOSEAL III LC / BLACK	ENGINE COMPARTMENT / BELOW LH FAN ENGINE COMPARTMENT / BELOW RH FAN ENGINE COMPARTMENT / ADJACENT TO LH SIDE OF RADIATOR
IGNITION COIL – 1A		
IGNITION COIL – 1B		
IGNITION COIL – 2A		
IGNITION COIL – 2B		
IGNITION COIL – 3A		
IGNITION COIL – 3B		
IGNITION COIL – 4A		
IGNITION COIL – 4B		
RADIATOR FAN CONTROL RELAY MODULE		
RADIATOR FAN – LH		
RADIATOR FAN – RH		
REFRIGERANT 4-WAY PRESSURE SWITCH		

RELAYS

Relay	Case Color	Connector / Color	Location / Access
AIR CONDITIONING COMPRESSOR CLUTCH RELAY	BROWN	EM52 / BROWN	CONTROL MODULE ENCLOSURE RELAYS / ENGINE COMPARTMENT
FUEL INJECTION RELAY	BLACK	EM25 / BLACK	CONTROL MODULE ENCLOSURE RELAYS / ENGINE COMPARTMENT
FUEL PUMP RELAY	BROWN	BUS	RELAY #4, TRUNK FUSE BOX / TRUNK
IGNITION COIL RELAY	BROWN	EM26 / BROWN	CONTROL MODULE ENCLOSURE RELAYS / ENGINE COMPARTMENT

HARNESSTO-HARNES CONNECTORS

Connector	Type / Color	Location / Access
BT4	54-WAY THROUGH PANEL / GREY	BELOW PARCEL SHELF / TRUNK / REAR BULKHEAD / RH SIDE
EM1	12-WAY AUGAT 1.6 / BLACK	ENGINE COMPARTMENT / ADJACENT TO ABS PUMP
EM3	18-WAY MULTILOCK 070 / WHITE	PASSENGER 'A' POST / LOWER 'A' POST FINISHER
EM51	12-WAY AUGAT 1.6 / GREY	ENGINE COMPARTMENT / ADJACENT TO ABS PUMP
EM53	20-WAY MULTILOCK 070 / WHITE	PASSENGER 'A' POST / LOWER 'A' POST FINISHER
FC1	54-WAY THROUGH PANEL CONNECTOR / GREY	BELOW PASSENGER SIDE AIR VENT / GLOVE BOX ASSEMBLY
LF32	4-WAY YAZAKI / GREY	FORWARD OF LH FRONT SUSPENSION ARM
PI1	57-WAY SUMITOMO TS090 / BLACK	ENGINE COMPARTMENT / BULKHEAD / REAR OF ENGINE
PI2	13-WAY ECONOSEAL III LC / BLACK	ENGINE COMPARTMENT / BRACKET ON TOP OF TRANSMISSION
SC3	12-WAY MULTILOCK 070 / GREY	ADJACENT TO STEERING COLUMN MOTOR
SW1	12-WAY MULTILOCK 040 / BLACK	INSIDE STEERING COLUMN COWL
SW2	6-WAY JST / BLACK	CENTER OF STEERING WHEEL

GROUND

Ground	Location / Type
BT20	EYELET (SINGLE) – TRUNK / RH REAR GROUND STUD
EM8R	EYELET (PAIR) – EMS LH GROUND STUD
EM16R	EYELET (PAIR) – EMS BULKHEAD GROUND STUD
EM17	EYELET (SINGLE) – EMS BULKHEAD GROUND STUD
FC17R	EYELET (PAIR) – EMS BULKHEAD GROUND STUD
LF10L	EYELET (PAIR) – LH FORWARD GROUND STUD
LF10R	EYELET (PAIR) – LH FORWARD GROUND STUD
LF20L	EYELET (PAIR) – RH FORWARD GROUND STUD

FOR CONTROL MODULE PIN OUT INFORMATION, UNFOLD PAGE TO LEFT.

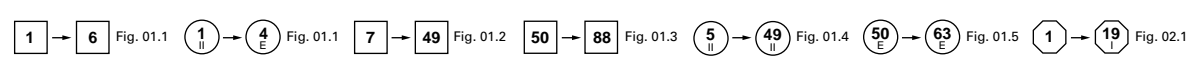
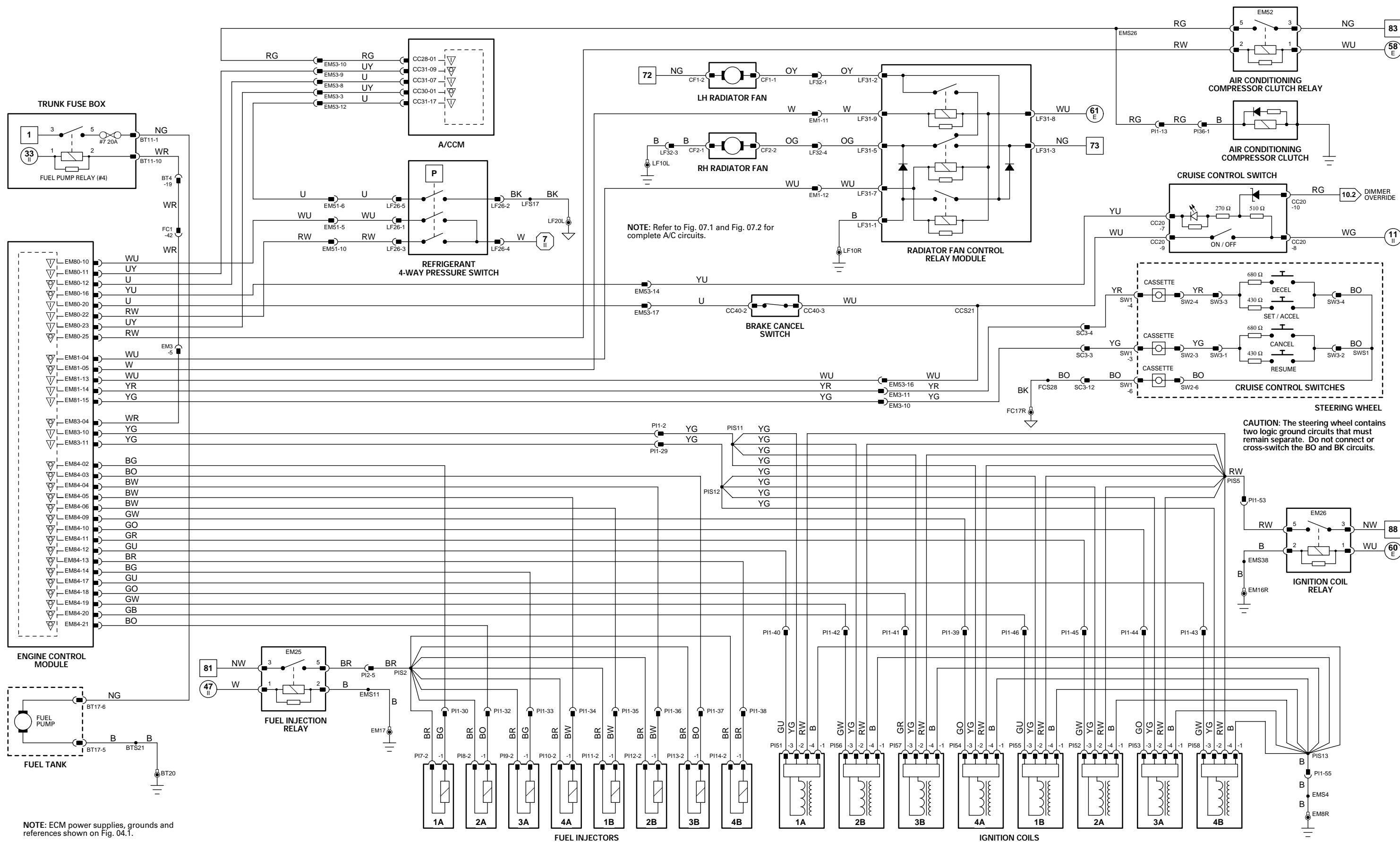
The following abbreviations are used to represent values for Control Module Pin-Out data

I	Input	SG	Sensor Ground	S	SCP Network	V	Voltage (DC)
O	Output	A	ACP Network	D	Serial and Encoded Data	Hz	Frequency
SS	Sensor Supply V	C	CAN (Network)	B+	Battery Voltage	kHz	Frequency x 1000

CAUTION: The information on this data page is furnished to aid the user in understanding circuit operation. THIS INFORMATION SHOULD BE USED FOR REFERENCE ONLY.

NOTE: The values listed are approximately those that can be expected at the control module connector pins with all circuit connections made and all components connected and fitted. "Active" means a load is applied or a switch is ON; "Inactive" means a load is not applied or a switch is OFF.

Refer to the front of this book for detailed information and illustrations regarding the location and identification of harnesses, relays, grounds, control modules and control module pins.



- ▽ Input
- ▽+ Sensor Supply V
- ▽- Sensor Ground
- ▽ Output
- ▽ ACP
- ▽ SCP
- ▽ CAN
- ▽ Serial and Encoded Data

VARIANT: AJ27 N/A Vehicles
 VIN RANGE: F20645 →
 DATE OF ISSUE: September 2000

CONTROL MODULE PIN OUT INFORMATION

Fig. 04.3

ENGINE CONTROL MODULE

Pin	Description	Active	Inactive
O	EM80-01	EVAP VALVE ACTIVATE	GROUND (VALVE OPEN)
O	EM80-02	CANISTER CLOSE VALVE ACTIVATE	B+
I	EM80-03	GROUND (POWER)	B+
O	EM80-04	THROTTLE MOTOR POWER SUPPLY	GROUND
O	EM80-05	THROTTLE MOTOR POWER SUPPLY	B+
O	EM80-06	THROTTLE MOTOR POWER SUPPLY	B+
O	EM80-07	THROTTLE MOTOR POWER SUPPLY	B+
I	EM80-08	THROTTLE MOTOR POWER SUPPLY	B+
I	EM80-09	THROTTLE MOTOR POWER SUPPLY	B+
I	EM80-15	EOT SIGNAL	2.5 V @ 34 °C; 0.5 V @ 90 °C; (DECREASING VOLTAGE WITH TEMPERATURE INCREASE)
D	EM80-17	SERIAL COMMUNICATIONS	
D	EM80-18	SERIAL COMMUNICATIONS	
D	EM80-19	ECM PROGRAMMING	
I	EM80-21	GROUND (THROTTLE MOTOR 1)	GROUND
D	EM80-27	ECM PROGRAMMING	
I	EM80-28	MAPS SIGNAL	
I	EM80-29	GROUND (LOGIC 2)	1.2 V = IDLE; 3.6 V = ENGINE SWITCHED OFF
I	EM80-31	GROUND (THROTTLE MOTOR 2)	GROUND
O	EM81-03	EMS CONTROLLED RELAY ACTIVATE	GROUND
I	EM81-08	GROUND (POWER)	GROUND
I	EM81-09	PEDAL POSITION SIGNAL (PPS1)	0.6 V = FOOT OFF; 3.8 V = PEDAL FULLY DEPRESSED
I	EM81-10	TPS SIGNAL (TPS1)	0.5 V = IDLE; 4.75 V = WOT
I	EM81-12	PARK / NEUTRAL CONFIRMATION	B+ (P, N)
I	EM81-16	FUEL TANK PRESSURE SENSOR SIGNAL	4.9 V = LOW PRESSURE; 0.2 V = HIGH PRESSURE
I	EM81-17	EMS SWITCHED POWER SUPPLY 1	B+
I	EM81-18	PEDAL POSITION SIGNAL (PPS2)	0.8 V = FOOT OFF; 2.4 V = PEDAL FULLY DEPRESSED
I	EM81-19	TPS SIGNAL (TPS2)	0.6 V = IDLE; 4.85 V = WOT
I	EM81-21	GROUND (LOGIC 1)	GROUND
I	EM81-22	PARKING BRAKE SWITCH	GROUND (APPLIED)
I	EM81-23	IATS 2 SIGNAL	B+
I	EM81-24	PEDAL POSITION / THROTTLE POSITION SENSORS SHIELD	2.38 V @ 20 °C, (DECREASING VOLTAGE WITH TEMPERATURE INCREASE)
SG	EM82-01	SENSOR SUPPLY VOLTAGE 1	GROUND
SS	EM82-02	ENGINE CRANK	5 V
I	EM82-04	HO2S, UPSTREAM 'A' BANK - VARIABLE CURRENT (µA)	GROUND (CRANKING)
I	EM82-05	HO2S, UPSTREAM 'B' BANK - VARIABLE CURRENT (µA)	3.5 V
O	EM82-06	THROTTLE MOTOR POWER RELAY ACTIVATE	3.5 V
SG	EM82-07	SENSORS SIGNAL GROUND 1	GROUND
I	EM82-08	BRAKE SWITCH	GROUND
I	EM82-09	IGNITION SWITCHED POWER SUPPLY	B+
SS	EM82-10	HO2S, UPSTREAM 'A' BANK - CONSTANT	3.8 V
SS	EM82-11	HO2S, UPSTREAM 'B' BANK - CONSTANT	3.8 V
I	EM82-12	INERTIA SWITCH ACTIVATED (VEHICLE IMPACT)	GROUND
I	EM82-13	EMS SWITCHED POWER SUPPLY 2	B+
I	EM82-14	ECT SIGNAL	0.41 V @ 90 °C (DECREASING VOLTAGE WITH TEMPERATURE INCREASE)
D	EM82-15	OK TO START	ENCODED COMMUNICATIONS
D	EM82-16	SECURITY ACKNOWLEDGE	ENCODED COMMUNICATIONS
I	EM82-17	IATS SIGNAL	0.98 V @ 10 °C (DECREASING VOLTAGE WITH TEMPERATURE INCREASE)
SS	EM83-05	SENSOR SUPPLY VOLTAGE 2	5 V
SG	EM83-06	SENSOR SHIELD	GROUND
SG	EM83-07	CKPS SIGNAL GROUND	GROUND
I	EM83-08	CKPS SIGNAL	5 V @ 1000 RPM = 45 Hz; 2000 RPM = 90 Hz
SG	EM83-09	CMPS, 'A' BANK SIGNAL GROUND	GROUND
SG	EM83-12	HO2S SHIELD	GROUND
SG	EM83-13	SENSORS SIGNAL GROUND 2	GROUND
I	EM83-14	KNOCK SENSOR, 'A' BANK SIGNAL	0 kHz = NO KNOCK, 2 - 20 kHz = KNOCK
C	EM83-15	CAN NETWORK	15 - 1500 Hz
C	EM83-16	CAN NETWORK	15 - 1500 Hz
SG	EM83-17	CMPS, 'B' BANK SIGNAL GROUND	GROUND
I	EM83-18	CMPS, 'B' BANK SIGNAL	0.7 - 1 VAC @ 1000 RPM = 43 Hz; 2000 RPM = 72 Hz
I	EM83-19	CMPS, 'A' BANK SIGNAL	0.7 - 1 VAC @ 1000 RPM = 43 Hz; 2000 RPM = 72 Hz
I	EM83-20	BATTERY POWER SUPPLY	B+
I	EM83-21	HO2S, 'A' BANK DOWNSTREAM	0.1 - 0.9 V @ IDLE (SWING)
I	EM83-22	HO2S, 'B' BANK DOWNSTREAM	0.1 - 0.9 V @ IDLE (SWING)
I	EM83-23	KNOCK SENSOR, 'B' BANK SIGNAL	0 kHz = NO KNOCK, 2 - 20 kHz = KNOCK
C	EM83-24	CAN NETWORK	15 - 1500 Hz
C	EM83-25	CAN NETWORK	15 - 1500 Hz
SG	EM83-26	MAFS REFERENCE GROUND	GROUND
SG	EM83-27	MAFS REFERENCE GROUND	GROUND
I	EM83-28	MAFS SIGNAL	1.2 V @ IDLE, INCREASING WITH RPM INCREASE
I	EM84-01	GROUND (DOWNSTREAM HO2S HEATERS)	GROUND
O	EM84-07	HO2S HEATER, 'A' BANK DOWNSTREAM CONTROL	GROUND (20 - 60% DUTY CYCLE)
O	EM84-15	HO2S HEATER, 'B' BANK DOWNSTREAM CONTROL	GROUND (20 - 60% DUTY CYCLE)
I	EM84-16	GROUND (INJECTORS 1A, 2B, 3B, 4A)	GROUND
I	EM84-22	GROUND (INJECTORS 1B, 2A, 3A, 4B)	GROUND
O	EM85-01	HO2S HEATER, 'A' BANK UPSTREAM CONTROL	GROUND (85 - 90% DUTY CYCLE AT IDLE)
O	EM85-02	HO2S HEATER, 'B' BANK UPSTREAM CONTROL	GROUND (85 - 90% DUTY CYCLE AT IDLE)
O	EM85-03	EGR STEPPER MOTOR 'S1' WINDING SUPPLY	GROUND
O	EM85-04	EGR STEPPER MOTOR 'S2' WINDING SUPPLY	GROUND
O	EM85-05	"COOL BOX" COOLING FAN ACTIVATE	GROUND
I	EM85-06	GROUND (HO2S A UPSTREAM HEATER)	GROUND
I	EM85-07	GROUND (HO2S B UPSTREAM HEATER)	GROUND
I	EM85-08	HO2S HEATERS OBD MONITOR	HEATERS ACTIVE = B+ V
O	EM85-09	EGR STEPPER MOTOR 'S3' WINDING SUPPLY	GROUND
O	EM85-10	EGR STEPPER MOTOR 'S4' WINDING SUPPLY	GROUND

NOTE: Refer to the Appendix at the rear of this book for CAN and SCP Network Messages.

The following abbreviations are used to represent values for Control Module Pin-Out data

I	Input	SG	Sensor Ground	S	SCP Network	V	Voltage (DC)
O	Output	A	ACP Network	D	Serial and Encoded Data	Hz	Frequency
SS	Sensor Supply V	C	CAN (Network)	B+	Battery Voltage	kHz	Frequency x 1000

CAUTION: The information on this data page is furnished to aid the user in understanding circuit operation. THIS INFORMATION SHOULD BE USED FOR REFERENCE ONLY.

NOTE: The values listed are approximately those that can be expected at the control module connector pins with all circuit connections made and all components connected and fitted. "Active" means a load is applied or a switch is ON; "Inactive" means a load is not applied or a switch is OFF.

COMPONENTS

Component	Connector / Type / Color	Location / Access
BRAKE SWITCH	CC40 / 4-WAY MULTILOCK 070 / WHITE	ADJACENT TO THE BRAKE PEDAL MOUNTING ASSEMBLY
CCV: CANISTER CLOSE VALVE	CV1 / 2-WAY YAZAKI 90 / BLACK	UNDER VEHICLE / RH REAR
CKPS: CRANKSHAFT POSITION SENSOR	P117 / 2-WAY ECONOSEAL III HC / BLACK	ENGINE / REAR OF BED PLATE
CMPS: CAMSHAFT POSITION SENSOR - 'A' BANK	P116 / 2-WAY YAZAKI / BLACK	ENGINE COMPARTMENT / 'A' BANK CYLINDER HEAD, REAR
CMPS: CAMSHAFT POSITION SENSOR - 'B' BANK	P115 / 2-WAY YAZAKI / BLACK	ENGINE COMPARTMENT / 'B' BANK CYLINDER HEAD, REAR
ECM AND TCM COOLING FAN	EM66 / 2-WAY MULTILOCK 070 / WHITE	ENGINE COMPARTMENT / CONTROL MODULE ENCLOSURE
EGR VALVE	P134 / 6-WAY SUMITOMO 0902 / GREY	ENGINE COMPARTMENT / REAR OF THROTTLE ASSEMBLY
ENGINE CONTROL MODULE	EM80 / 31-WAY AMP 403 / NATURAL	ENGINE COMPARTMENT / CONTROL MODULE ENCLOSURE
	EM81 / 24-WAY AMP 403 / NATURAL	
	EM82 / 17-WAY AMP 403 / NATURAL	
	EM83 / 28-WAY AMP 403 / NATURAL	
	EM84 / 22-WAY AMP 403 / NATURAL	
	EM85 / 12-WAY MULTILOCK 070 / WHITE	
ECTS: ENGINE COOLANT TEMPERATURE SENSOR	P14 / 2-WAY ECONOSEAL E J2 / GREY	ENGINE COMPARTMENT / REAR OF ENGINE TOP HOSE
EOTS: ENGINE OIL TEMPERATURE SENSOR	P138 / 2-WAY ECONOSEAL EC J2 / GREY	ENGINE BLOCK / BELOW GENERATOR
EVAPP: EVAP CANISTER PURGE VALVE	EM39 / 2-WAY ECONOSEAL J2+ / BLACK	ENGINE COMPARTMENT / BULKHEAD
FTPS: FUEL TANK PRESSURE SENSOR	FP1 / 3-WAY ECONOSEAL III LC / BLACK	TOP OF FUEL TANK / TRUNK CARPET
HO2S: HEATED OXYGEN SENSOR (DOWNSTREAM) - 'A' BANK	EM22 / 2-WAY SUMITOMO 0902 / BLACK	ENGINE COMPARTMENT / BRACKET ON TOP OF TRANSMISSION
HO2S: HEATED OXYGEN SENSOR (DOWNSTREAM) - 'B' BANK	EM24 / 2-WAY SUMITOMO 0902 / BLACK	ENGINE COMPARTMENT / BRACKET ON TOP OF TRANSMISSION
HO2S: HEATED OXYGEN SENSOR (UPSTREAM) - 'A' BANK	EM21 / 4-WAY SUMITOMO 0902 / GREY	ENGINE COMPARTMENT / BRACKET ON TOP OF TRANSMISSION
HO2S: HEATED OXYGEN SENSOR (UPSTREAM) - 'B' BANK	EM23 / 4-WAY SUMITOMO 0902 / GREY	ENGINE COMPARTMENT / BRACKET ON TOP OF TRANSMISSION
IATS 2: INTAKE AIR TEMPERATURE SENSOR 2	P13 / 2-WAY AMP JUNIOR POWER TIMER / BLACK	ENGINE COMPARTMENT / 'A' BANK INTERCOOLER / REAR
KS: KNOCK SENSOR - 'A' BANK	P126 / 2-WAY ECONOSEAL III LC / BLACK	ENGINE VEE / UNDER INTAKE MANIFOLD
KS: KNOCK SENSOR - 'B' BANK	P127 / 2-WAY ECONOSEAL III LC / BLACK	ENGINE VEE / UNDER INTAKE MANIFOLD
MAFS: MASS AIR FLOW SENSOR	P135 / 5-WAY YAZAKI 92 / BLACK	ENGINE COMPARTMENT / REARWARD OF AIR CLEANER
MAPS: MANIFOLD ABSOLUTE PRESSURE SENSOR	EM10 / 3-WAY SUMITOMO / BLACK	ENGINE COMPARTMENT / CONTROL MODULE ENCLOSURE
PARKING BRAKE SWITCH	CC11 / 2-WAY MULTILOCK 040 / BLACK	CENTER CONSOLE ASSEMBLY
PPS: PEDAL POSITION SENSORS	P142 / 5-WAY SUMITOMO TS090 / BLACK	ENGINE COMPARTMENT / ON THROTTLE ASSEMBLY
THROTTLE MOTOR	P133 / 2-WAY SUMITOMO HM250 / BLACK	ENGINE COMPARTMENT / THROTTLE ASSEMBLY
TPS: THROTTLE POSITION SENSORS	P16 / 4-WAY ECONOSEAL J2T / BLACK	ENGINE COMPARTMENT / ON THROTTLE ASSEMBLY

RELAYS

Relay	Case Color	Connector / Color	Location / Access
THROTTLE MOTOR POWER RELAY	BROWN	EM49 / BROWN	CONTROL MODULE ENCLOSURE RELAYS / ENGINE COMPARTMENT
O2S HEATERS RELAY	BROWN	EM75 / BROWN	CONTROL MODULE ENCLOSURE RELAYS / ENGINE COMPARTMENT

HARNESS-TO-HARNESS CONNECTORS

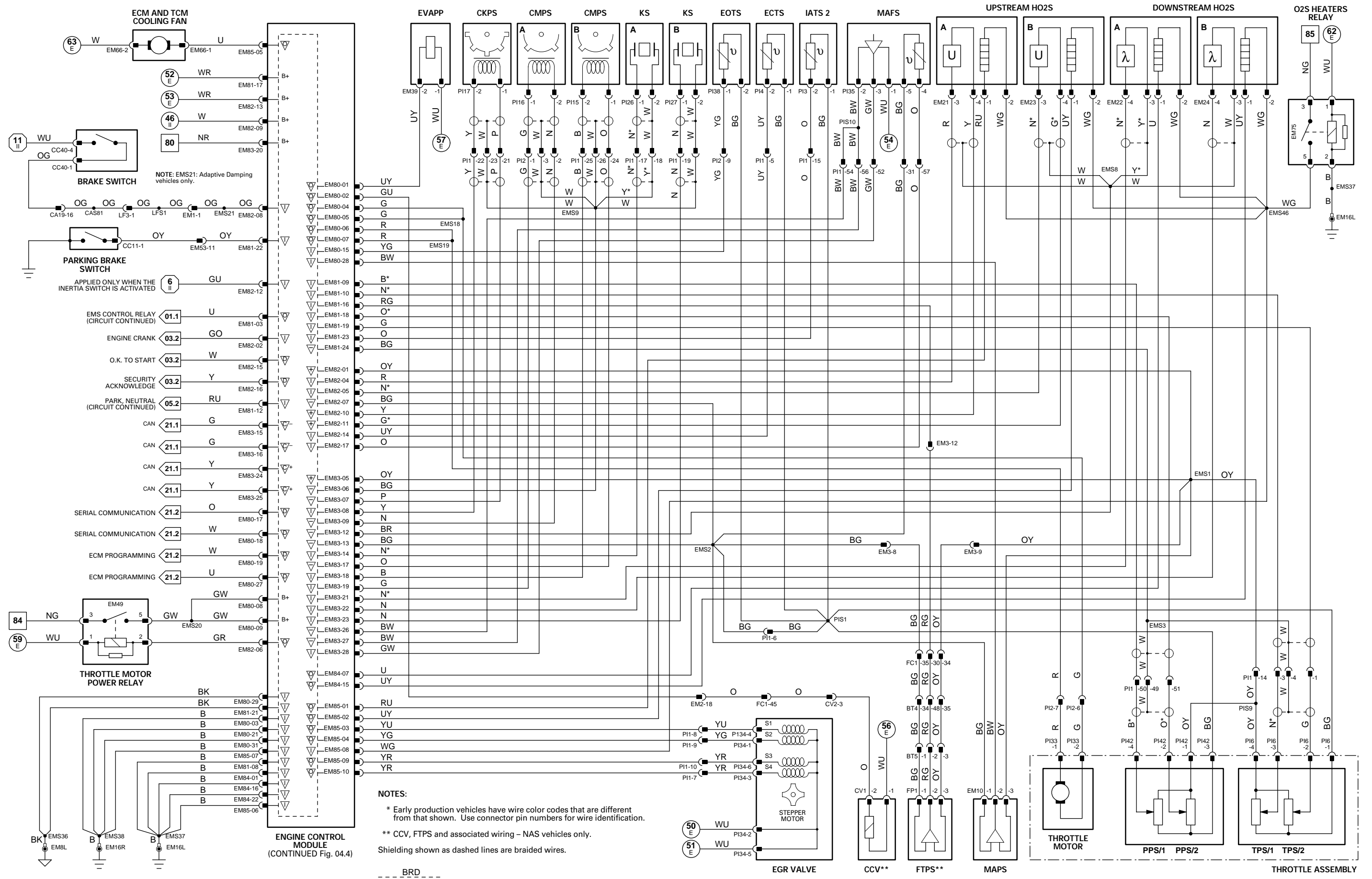
Connector	Type / Color	Location / Access
BT4	54-WAY THROUGH PANEL / GREY	BELOW PARCEL SHELF / TRUNK / REAR BULKHEAD / RH SIDE
BT5	3-WAY MULTILOCK 070 / WHITE	TOP OF FUEL TANK / TRUNK CARPET
CA19	20-WAY MULTILOCK 070 / YELLOW	LH 'A' POST CONNECTOR MOUNTING BRACKET / LOWER 'A' POST FINISHER
CV2	3-WAY MULTILOCK 070 / WHITE	UNDER REAR SEAT
EM1	12-WAY AUGAT 1.6 / BLACK	ENGINE COMPARTMENT / ADJACENT TO ABS PUMP
EM2	20-WAY MULTILOCK 070 / GREY	PASSENGER 'A' POST / LOWER 'A' POST FINISHER
EM3	18-WAY MULTILOCK 070 / WHITE	PASSENGER 'A' POST / LOWER 'A' POST FINISHER
EM53	20-WAY MULTILOCK 070 / WHITE	PASSENGER 'A' POST / LOWER 'A' POST FINISHER
FC1	54-WAY THROUGH PANEL CONNECTOR / GREY	BELOW PASSENGER SIDE AIR VENT / GLOVE BOX ASSEMBLY
LF3	54-WAY THROUGH PANEL CONNECTOR / GREY	LH 'A' POST / LOWER 'A' POST FINISHER
PI1	57-WAY SUMITOMO TS090 / BLACK	ENGINE COMPARTMENT / BULKHEAD / REAR OF ENGINE
PI2	13-WAY ECONOSEAL III LC / BLACK	ENGINE COMPARTMENT / BRACKET ON TOP OF TRANSMISSION

GROUNDS

Ground	Location / Type
EM8L	EYELET (PAIR) - EMS LH GROUND STUD
EM16L	EYELET (PAIR) - EMS BULKHEAD GROUND STUD
EM16R	EYELET (PAIR) - EMS BULKHEAD GROUND STUD

FOR CONTROL MODULE PIN OUT INFORMATION, UNFOLD PAGE TO LEFT.

Refer to the front of this book for detailed information and illustrations regarding the location and identification of harnesses, relays, grounds, control modules and control module pins.



CONTROL MODULE PIN OUT INFORMATION

AIR CONDITIONING CONTROL MODULE

Pin	Description	Active	Inactive
I	CC28-1	COMPRESSOR CLUTCH STATUS	0 V
O	CC30-1	AIR CONDITIONING ELECTRICAL LOAD SIGNAL	B+
I	CC31-7	LOAD INHIBIT	0 V
O	CC31-9	COMPRESSOR CLUTCH ON REQUEST	B+
I	CC31-17	REFRIGERANT 4-WAY PRESSURE SWITCH	0 V (2 – 30 BAR)

ENGINE CONTROL MODULE

Pin	Description	Active	Inactive
I	EM80-10	REFRIGERANT 4-WAY PRESSURE SWITCH HIGH PRESSURE	GROUND @ 20 BAR (290 PSI)
I	EM80-11	A/CCM COMPRESSOR CLUTCH REQUEST	B+
O	EM80-12	ELECTRICAL LOAD INHIBIT	GROUND
O	EM80-14	INTERCOOLER PUMP RELAY ACTIVATE	GROUND
O	EM80-16	CRUISE CONTROL ON STATUS LED	GROUND
I	EM80-20	CRUISE CONTROL BRAKE CANCEL REQUEST	GROUND
I	EM80-22	REFRIGERANT 4-WAY PRESSURE SWITCH HIGH PRESSURE	GROUND @ 12 BAR (174 PSI)
I	EM80-23	A/CCM ELECTRICAL LOAD REQUEST (HEATED WINDSHIELD)	B+
O	EM80-25	AIR CONDITIONING COMPRESSOR RELAY ACTIVATE	GROUND
O	EM81-04	PARALLEL (HIGH) SPEED FAN ACTIVATE	GROUND
O	EM81-05	SERIES (LOW) SPEED FAN ACTIVATE	GROUND
I	EM81-13	CRUISE CONTROL ON REQUEST	B+
I	EM81-14	CRUISE CONTROL SET +/-	7.3 V = (+), 8.8 V = (-)B+
I	EM81-15	CRUISE CONTROL CANCEL / RESUME	7.3 V = RESUME, 8.8 V = CANCEL B+
O	EM82-03	FUEL PUMP RELAY 2 ACTIVATE	GROUND
I	EM83-04	FUEL PUMP RELAY ACTIVATE	GROUND
I	EM83-10	IGNITION MODULES 1A, 2B, 3B, 4A OBD MONITOR	23 Hz @ IDLE (5 V)
I	EM83-11	IGNITION MODULES 1B, 2A, 3A, 4B OBD MONITOR	23 Hz @ IDLE (5 V)
O	EM84-02	INJECTOR 1A ACTIVATE	GROUND
O	EM84-03	INJECTOR 3B ACTIVATE	GROUND
O	EM84-04	INJECTOR 2B ACTIVATE	GROUND
O	EM84-05	INJECTOR 4A ACTIVATE	GROUND
O	EM84-06	INJECTOR 1B ACTIVATE	GROUND
O	EM84-09	IGNITION MODULE 4A SWITCHING	GROUND (85 – 90% DUTY CYCLE @ IDLE)
O	EM84-10	IGNITION MODULE 3A SWITCHING	GROUND (85 – 90% DUTY CYCLE @ IDLE)
O	EM84-11	IGNITION MODULE 2A SWITCHING	GROUND (85 – 90% DUTY CYCLE @ IDLE)
O	EM84-12	IGNITION MODULE 1A SWITCHING	GROUND (85 – 90% DUTY CYCLE @ IDLE)
I	EM84-13	INJECTOR 4B ACTIVATE	GROUND
I	EM84-14	INJECTOR 3A ACTIVATE	GROUND
O	EM84-17	IGNITION MODULE 4B SWITCHING	GROUND (85 – 90% DUTY CYCLE @ IDLE)
O	EM84-18	IGNITION MODULE 3B SWITCHING	GROUND (85 – 90% DUTY CYCLE @ IDLE)
O	EM84-19	IGNITION MODULE 2B SWITCHING	GROUND (85 – 90% DUTY CYCLE @ IDLE)
O	EM84-20	IGNITION MODULE 1B SWITCHING	GROUND (85 – 90% DUTY CYCLE @ IDLE)
O	EM84-21	INJECTOR 2A ACTIVATE	GROUND

Fig. 04.4

COMPONENTS

Component	Connector / Type / Color	Location / Access
AIR CONDITIONING COMPRESSOR CLUTCH A/CCM: AIR CONDITIONING CONTROL MODULE	PI36 / 1-WAY SUMITOMO 90 A TYPE / BLACK CC28 / 26-WAY MULTILOCK 47 / GREY CC29 / 16-WAY MULTILOCK 47 / GREY CC30 / 12-WAY MULTILOCK 47 / GREY CC31 / 22-WAY MULTILOCK 47 / GREY CC40 / 4-WAY MULTILOCK 070 / WHITE CC20 / 10-WAY AMP MICRO QUAD LOCK / NATURAL SW3 / 3-WAY EPC / BLACK	ENGINE COMPARTMENT / A/C COMPRESSOR RH SIDE OF TRANSMISSION TUNNEL / GLOVE BOX ASSEMBLY
BRAKE CANCEL SWITCH CRUISE CONTROL ON / OFF SWITCH CRUISE CONTROL SWITCHES (STEERING WHEEL) ENGINE CONTROL MODULE	EM80 / 31-WAY AMP 403 / NATURAL EM81 / 24-WAY AMP 403 / NATURAL EM82 / 17-WAY AMP 403 / NATURAL EM83 / 28-WAY AMP 403 / NATURAL EM84 / 22-WAY AMP 403 / NATURAL EM85 / 12-WAY MULTILOCK 070 / WHITE PI7 / 2-WAY AMP JUNIOR POWER TIMER / BLACK PI11 / 2-WAY AMP JUNIOR POWER TIMER / BLACK PI8 / 2-WAY AMP JUNIOR POWER TIMER / BLACK PI12 / 2-WAY AMP JUNIOR POWER TIMER / BLACK PI9 / 2-WAY AMP JUNIOR POWER TIMER / BLACK PI13 / 2-WAY AMP JUNIOR POWER TIMER / BLACK PI10 / 2-WAY AMP JUNIOR POWER TIMER / BLACK PI14 / 2-WAY AMP JUNIOR POWER TIMER / BLACK BT17 / 6-WAY SUMITOMO DL090 / NATURAL BT10 / 10-WAY U.T.A. FUSE BOX / NATURAL BT11 / 10-WAY U.T.A. FUSE BOX / BLACK BT12 / 10-WAY U.T.A. FUSE BOX / GREEN BT13 / 10-WAY U.T.A. FUSE BOX / BLUE BT64 / EYELET	ADJACENT TO THE BRAKE PEDAL MOUNTING ASSEMBLY CENTER CONSOLE ASSEMBLY CENTER OF STEERING WHEEL ENGINE COMPARTMENT / CONTROL MODULE ENCLOSURE
FUEL INJECTOR – 1A FUEL INJECTOR – 1B FUEL INJECTOR – 2A FUEL INJECTOR – 2B FUEL INJECTOR – 3B FUEL INJECTOR – 4A FUEL INJECTOR – 4B FUEL PUMPS FUSE BOX – TRUNK	PI7 / 2-WAY AMP JUNIOR POWER TIMER / BLACK PI11 / 2-WAY AMP JUNIOR POWER TIMER / BLACK PI8 / 2-WAY AMP JUNIOR POWER TIMER / BLACK PI12 / 2-WAY AMP JUNIOR POWER TIMER / BLACK PI9 / 2-WAY AMP JUNIOR POWER TIMER / BLACK PI13 / 2-WAY AMP JUNIOR POWER TIMER / BLACK PI10 / 2-WAY AMP JUNIOR POWER TIMER / BLACK PI14 / 2-WAY AMP JUNIOR POWER TIMER / BLACK BT17 / 6-WAY SUMITOMO DL090 / NATURAL BT10 / 10-WAY U.T.A. FUSE BOX / NATURAL BT11 / 10-WAY U.T.A. FUSE BOX / BLACK BT12 / 10-WAY U.T.A. FUSE BOX / GREEN BT13 / 10-WAY U.T.A. FUSE BOX / BLUE BT64 / EYELET PI51 / 4-WAY YAZAKI / BLACK PI55 / 4-WAY YAZAKI / BLACK PI52 / 4-WAY YAZAKI / BLACK PI56 / 4-WAY YAZAKI / BLACK PI53 / 4-WAY YAZAKI / BLACK PI57 / 4-WAY YAZAKI / BLACK PI54 / 4-WAY YAZAKI / BLACK PI58 / 4-WAY YAZAKI / BLACK LF30 / 2-WAY AUGAT 1.6 / BLACK LF31 / 8-WAY TRW / BLACK CF1 / 2-WAY REINSHAGEN / BLACK CF2 / 2-WAY REINSHAGEN / BLACK LF26 / 6-WAY ECONOSEAL III LC / BLACK	ENGINE COMPARTMENT / INTAKE MANIFOLD / FUEL RAIL ENGINE COMPARTMENT / INTAKE MANIFOLD / FUEL RAIL ENGINE COMPARTMENT / INTAKE MANIFOLD / FUEL RAIL ENGINE COMPARTMENT / INTAKE MANIFOLD / FUEL RAIL ENGINE COMPARTMENT / INTAKE MANIFOLD / FUEL RAIL ENGINE COMPARTMENT / INTAKE MANIFOLD / FUEL RAIL ENGINE COMPARTMENT / INTAKE MANIFOLD / FUEL RAIL ENGINE COMPARTMENT / INTAKE MANIFOLD / FUEL RAIL ENGINE COMPARTMENT / INTAKE MANIFOLD / FUEL RAIL EVAPORATIVE FLANGE / TOP OF FUEL TANK TRUNK ELECTRICAL CARRIER
IGNITION COIL – 1A IGNITION COIL – 1B IGNITION COIL – 2A IGNITION COIL – 2B IGNITION COIL – 3A IGNITION COIL – 3B IGNITION COIL – 4A IGNITION COIL – 4B INTERCOOLER PUMP RADIATOR FAN CONTROL RELAY MODULE RADIATOR FAN – LH RADIATOR FAN – RH REFRIGERANT 4-WAY PRESSURE SWITCH	PI51 / 4-WAY YAZAKI / BLACK PI55 / 4-WAY YAZAKI / BLACK PI52 / 4-WAY YAZAKI / BLACK PI56 / 4-WAY YAZAKI / BLACK PI53 / 4-WAY YAZAKI / BLACK PI57 / 4-WAY YAZAKI / BLACK PI54 / 4-WAY YAZAKI / BLACK PI58 / 4-WAY YAZAKI / BLACK LF30 / 2-WAY AUGAT 1.6 / BLACK LF31 / 8-WAY TRW / BLACK CF1 / 2-WAY REINSHAGEN / BLACK CF2 / 2-WAY REINSHAGEN / BLACK LF26 / 6-WAY ECONOSEAL III LC / BLACK	ENGINE COMPARTMENT / CAMSHAFT COVER ENGINE COMPARTMENT / CAMSHAFT COVER ENGINE COMPARTMENT / CAMSHAFT COVER ENGINE COMPARTMENT / CAMSHAFT COVER ENGINE COMPARTMENT / CAMSHAFT COVER ENGINE COMPARTMENT / CAMSHAFT COVER ENGINE COMPARTMENT / CAMSHAFT COVER ENGINE COMPARTMENT / CAMSHAFT COVER ENGINE COMPARTMENT / CAMSHAFT COVER ENGINE COMPARTMENT / ADJACENT TO RH CRUSH TUBE ENGINE COMPARTMENT / BELOW LH FAN ENGINE COMPARTMENT / BELOW RH FAN ENGINE COMPARTMENT / ADJACENT TO LH SIDE OF RADIATOR

RELAYS

Relay	Case Color	Connector / Color	Location / Access
AIR CONDITIONING COMPRESSOR CLUTCH RELAY	BROWN	EM52 / BROWN	CONTROL MODULE ENCLOSURE RELAYS / ENGINE COMPARTMENT
FUEL INJECTION RELAY	BLACK	EM25 / BLACK	CONTROL MODULE ENCLOSURE RELAYS / ENGINE COMPARTMENT
FUEL PUMP 1 RELAY	BROWN	BUS	RELAY #4, TRUNK FUSE BOX / TRUNK
FUEL PUMP 2 RELAY	BROWN	BUS	RELAY #1, TRUNK FUSE BOX / TRUNK
IGNITION COIL RELAY	BROWN	EM26 / BROWN	CONTROL MODULE ENCLOSURE RELAYS / ENGINE COMPARTMENT
INTERCOOLER PUMP RELAY	BLACK	EM25 / BLACK	CONTROL MODULE ENCLOSURE RELAYS / ENGINE COMPARTMENT

HARNESSTO-HARNESSTO CONNECTORS

Connector	Type / Color	Location / Access
BT4	54-WAY THROUGH PANEL / GREY	BELOW PARCEL SHELF / TRUNK / REAR BULKHEAD / RH SIDE
EM1	12-WAY AUGAT 1.6 / BLACK	ENGINE COMPARTMENT / ADJACENT TO ABS PUMP
EM3	18-WAY MULTILOCK 070 / WHITE	PASSENGER 'A' POST / LOWER 'A' POST FINISHER
EM51	12-WAY AUGAT 1.6 / GREY	ENGINE COMPARTMENT / ADJACENT TO ABS PUMP
EM53	20-WAY MULTILOCK 070 / WHITE	PASSENGER 'A' POST / LOWER 'A' POST FINISHER
FC1	54-WAY THROUGH PANEL CONNECTOR / GREY	BELOW PASSENGER SIDE AIR VENT / GLOVE BOX ASSEMBLY
LF32	4-WAY YAZAKI / GREY	FORWARD OF LH FRONT SUSPENSION ARM
PI1	57-WAY SUMITOMO TS090 / BLACK	ENGINE COMPARTMENT / BULKHEAD / REAR OF ENGINE
PI2	13-WAY ECONOSEAL III LC / BLACK	ENGINE COMPARTMENT / BRACKET ON TOP OF TRANSMISSION
SC3	12-WAY MULTILOCK 070 / GREY	ADJACENT TO STEERING COLUMN MOTOR
SW1	12-WAY MULTILOCK 040 / BLACK	INSIDE STEERING COLUMN COWL
SW2	6-WAY JST / BLACK	CENTER OF STEERING WHEEL

GROUNDS

Ground	Location / Type
BT20	EYELET (SINGLE) – TRUNK / RH REAR GROUND STUD
EM8R	EYELET (PAIR) – EMS LH GROUND STUD
EM16R	EYELET (PAIR) – EMS BULKHEAD GROUND STUD
EM17	EYELET (SINGLE) – EMS BULKHEAD GROUND STUD
FC17R	EYELET (PAIR) – EMS BULKHEAD GROUND STUD
LF10L	EYELET (PAIR) – LH FORWARD GROUND STUD
LF10R	EYELET (PAIR) – LH FORWARD GROUND STUD
LF20L	EYELET (PAIR) – RH FORWARD GROUND STUD
LF20R	EYELET (PAIR) – RH FORWARD GROUND STUD

FOR CONTROL MODULE PIN OUT INFORMATION, UNFOLD PAGE TO LEFT.

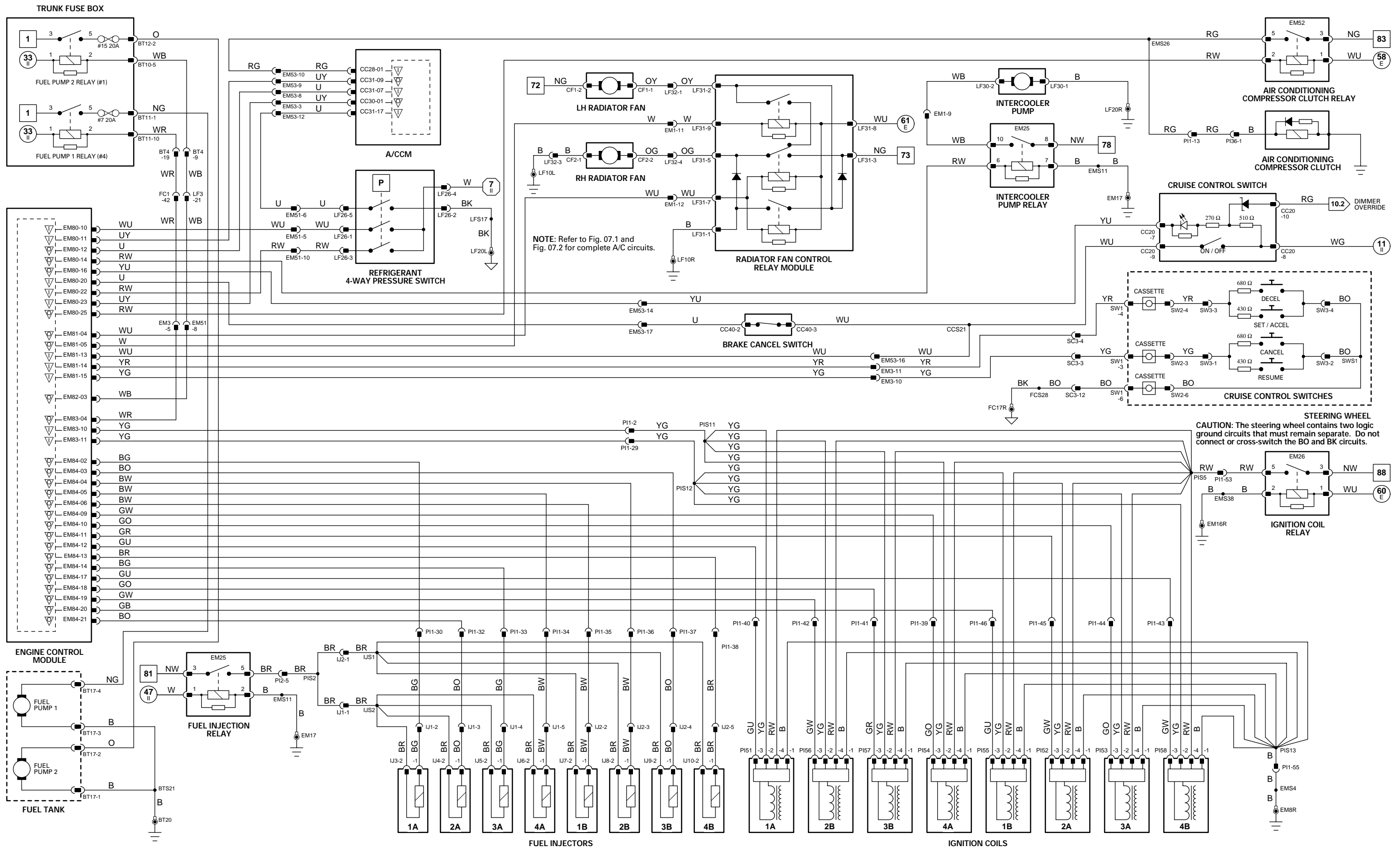
The following abbreviations are used to represent values for Control Module Pin-Out data

I	Input	SG	Sensor Ground	S	SCP Network	V	Voltage (DC)
O	Output	A	ACP Network	D	Serial and Encoded Data	Hz	Frequency
SS	Sensor Supply V	C	CAN (Network)	B+	Battery Voltage	kHz	Frequency x 1000

CAUTION: The information on this data page is furnished to aid the user in understanding circuit operation. THIS INFORMATION SHOULD BE USED FOR REFERENCE ONLY.

NOTE: The values listed are approximately those that can be expected at the control module connector pins with all circuit connections made and all components connected and fitted. "Active" means a load is applied or a switch is ON; "Inactive" means a load is not applied or a switch is OFF.

Refer to the front of this book for detailed information and illustrations regarding the location and identification of harnesses, relays, grounds, control modules and control module pins.



NOTE: ECM power supplies, grounds and references shown on Fig. 04.3.

<p>1 → 6 Fig. 01.1 1 → 4 Fig. 01.1 7 → 49 Fig. 01.2 50 → 88 Fig. 01.3 5 → 49 Fig. 01.4 50 → 63 Fig. 01.5 1 → 19 Fig. 02.1</p>	<p>▽ Input + Sensor Supply V ▽ ACP S SCP</p> <p>▽ Output - Sensor Ground C CAN D Serial and Encoded Data</p>	<p>VARIANT: AJ27 SC Vehicles VIN RANGE: F20645 → DATE OF ISSUE: September 2000</p>
---	--	--

CONTROL MODULE PIN OUT INFORMATION

Fig. 05.1

GEAR SELECTOR ILLUMINATION MODULE

Pin	Description	Active	Inactive
I	CC14-1	IGNITION SWITCHED POWER SUPPLY	B+
C	CC14-3	CAN NETWORK	15 – 1500 Hz @ 2.5 V
C	CC14-4	CAN NETWORK	15 – 1500 Hz @ 2.5 V
I	CC14-6	GROUND	GROUND
C	CC14-8	CAN NETWORK	15 – 1500 Hz @ 2.5 V
C	CC14-9	CAN NETWORK	15 – 1500 Hz @ 2.5 V

TRANSMISSION CONTROL MODULE: AJ27 N/A

Pin	Description	Active	Inactive
O	EM7-1	PRESSURE REGULATOR #2	B+ (NO PRESSURE)
O	EM7-2	SPORT MODE SWITCH STATUS LED	GROUND = LED ON
O	EM7-4	PRESSURE REGULATOR #4	B+ (NO PRESSURE)
O	EM7-5	PRESSURE REGULATOR #1	B+ (NO PRESSURE)
I	EM7-6	GROUND	GROUND
I	EM7-8	ROTARY SWITCH 'L2' CONTACTS	B+
I	EM7-9	ROTARY SWITCH 'L4' CONTACTS	B+
I	EM7-12	SPORT MODE SWITCH STRATEGY SELECT	GROUND = SPORT
I	EM7-13	D – 4 SWITCH	GROUND
SG	EM7-14	TURBINE SPEED SENSOR	300 Hz @ IDLE (2.5 V)
SG	EM7-15	OUTPUT SPEED SENSOR SHIELD	GROUND
SG	EM7-16	OUTPUT SPEED SENSOR	GROUND
SG	EM7-21	FLUID TEMPERATURE SENSOR	1.31 V
I	EM7-22	FLUID TEMPERATURE SENSOR FEEDBACK	1.15 V @ 90°C
SG	EM7-23	TURBINE SPEED SENSOR SHIELD	GROUND
I	EM7-26	BATTERY POWER SUPPLY	B+
SG	EM7-28	ROTARY / D – 4 / KICK DOWN SWITCHES COMMON GROUND	GROUND
O	EM7-29	PRESSURE REGULATOR #3	GROUND (MAXIMUM PRESSURE)
O	EM7-30	SOLENOID VALVE #1	GROUND
O	EM7-32	SOLENOID VALVE #3	GROUND
O	EM7-33	SOLENOID VALVE #2	GROUND
I	EM7-34	GROUND	GROUND
I	EM7-36	ROTARY SWITCH 'L1' CONTACTS	B+
I	EM7-37	ROTARY SWITCH 'L3' CONTACTS	B+
I	EM7-42	TURBINE SPEED SENSOR	1.51 V @ 10 MPH (16 KM/H) = 250 Hz, 20 MPH (32 KM/H) = 500 Hz
I	EM7-44	OUTPUT SPEED SENSOR	1.51 V @ 10 MPH (16 KM/H) = 223 Hz, 20 MPH (32 KM/H) = 446 Hz
I	EM7-45	SPORT MODE SWITCH STRATEGY SELECT	10 v = SPORT
O	EM7-51	PRESSURE REGULATOR #5	GROUND = NORMAL
O	EM7-52	SOLENOID VALVES COMMON SUPPLY	B+ (NO PRESSURE)
O	EM7-53	PRESSURE REGULATORS COMMON SUPPLY	B+
I	EM7-54	IGNITION SWITCHED POWER SUPPLY	B+
I	EM7-55	IGNITION SWITCHED POWER SUPPLY	B+
C	EM7-82	CAN NETWORK	15 – 1500 Hz
C	EM7-83	CAN NETWORK	15 – 1500 Hz
C	EM7-85	CAN NETWORK	15 – 1500 Hz
C	EM7-86	CAN NETWORK	15 – 1500 Hz

NOTE: Refer to the Appendix at the rear of this book for CAN and SCP Network messages.

COMPONENTS

Component	Connector / Type / Color	Location / Access
D – 4 SWITCH	CC7 / 3-WAY MULTILOCK 070 / YELLOW	CENTER CONSOLE ASSEMBLY
GEAR SELECTOR ILLUMINATION MODULE	CC14 / 10-WAY MULTILOCK 070 / WHITE	CENTER CONSOLE ASSEMBLY
MODE SWITCH (TRANSMISSION)	CC4 / 10-WAY AMP MICRO QUAD LOCK / BLACK	CENTER CONSOLE ASSEMBLY
TRANSMISSION CONTROL MODULE: AJ27 N/A	EM7 / 88-WAY BOSCH / BLACK	ENGINE COMPARTMENT / CONTROL MODULE ENCLOSURE
TRANSMISSION ELECTRICAL CONNECTOR: AJ27 N/A	EM46 / 16-WAY KOSTAL TRANSMISSION CONNECTOR / BLACK	LEFT HAND REAR OF TRANSMISSION
TRANSMISSION ROTARY SWITCH	EM47 / 10-WAY METRI-PACK 150 / BLACK	ENGINE COMPARTMENT / BRACKET ON TOP OF TRANSMISSION

HARNESS-TO-HARNESS CONNECTORS

Connector	Type / Color	Location / Access
EM53	20-WAY MULTILOCK 070 / WHITE	PASSENGER 'A' POST / LOWER 'A' POST FINISHER

GROUNDINGS

Ground	Location / Type
CC2R	EYELET (PAIR) – DRIVE SHAFT TUNNEL GROUND STUD – LH SIDE
CC3L	EYELET (PAIR) – RH FRONT BULKHEAD STUD / CABIN SIDE
EM8R	EYELET (PAIR) – EMS LH GROUND STUD

FOR CONTROL MODULE PIN OUT INFORMATION, UNFOLD PAGE TO LEFT.

The following abbreviations are used to represent values for Control Module Pin-Out data

I	Input	SG	Sensor Ground	S	SCP Network	V	Voltage (DC)
O	Output	A	ACP Network	D	Serial and Encoded Data	Hz	Frequency
SS	Sensor Supply V	C	CAN (Network)	B+	Battery Voltage	kHz	Frequency x 1000

CAUTION: The information on this data page is furnished to aid the user in understanding circuit operation. THIS INFORMATION SHOULD BE USED FOR REFERENCE ONLY.

NOTE: The values listed are approximately those that can be expected at the control module connector pins with all circuit connections made and all components connected and fitted. "Active" means a load is applied or a switch is ON; "Inactive" means a load is not applied or a switch is OFF.

Refer to the front of this book for detailed information and illustrations regarding the location and identification of harnesses, relays, grounds, control modules and control module pins.



NOTE: Gear Selector Illumination Module - CAN "listen only" node for gear selector position indicators.

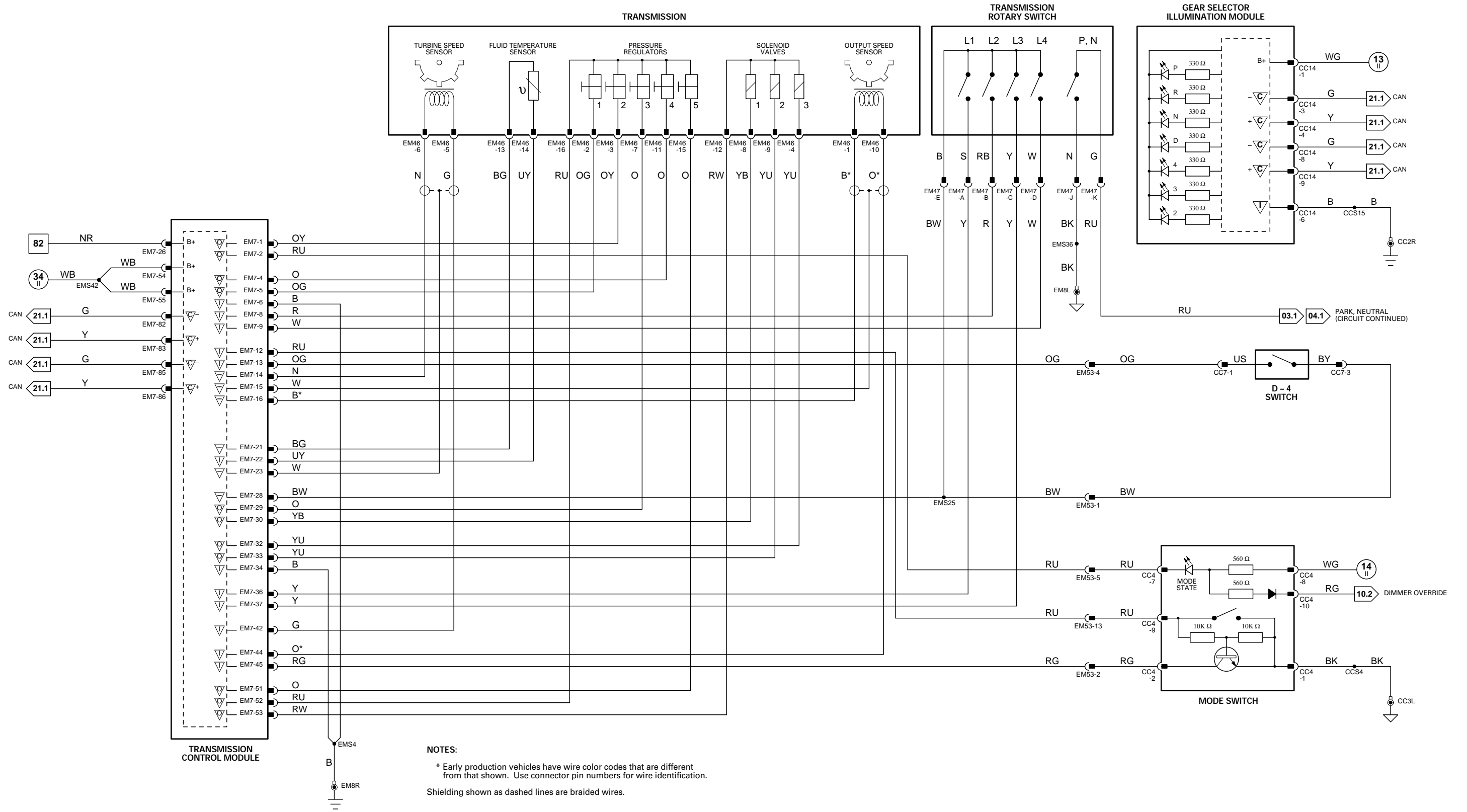


Fig. 05.2

CONTROL MODULE PIN OUT INFORMATION

GEAR SELECTOR ILLUMINATION MODULE

Pin	Description	Active	Inactive
I	CC14-1	IGNITION SWITCHED POWER SUPPLY	B+
C	CC14-3	CAN NETWORK	15 – 1500 Hz @ 2.5 V
C	CC14-4	CAN NETWORK	15 – 1500 Hz @ 2.5 V
I	CC14-6	GROUND	GROUND
C	CC14-8	CAN NETWORK	15 – 1500 Hz @ 2.5 V
C	CC14-9	CAN NETWORK	15 – 1500 Hz @ 2.5 V

TRANSMISSION CONTROL MODULE: AJ27 SC

Pin	Description	Active	Inactive
I	EM61-2	KICKDOWN SWITCH	GROUND (= WOT)
I	EM61-3	SPORT MODE SWITCH	0 V = SPORT; 0 V = NORMAL
I	EM61-25	DUAL LINEAR SWITCH VOLTAGE ENCODED GEAR RECOGNITION	GROUND = R, D, 4, 3
I	EM61-26	DUAL LINEAR SWITCH VOLTAGE ENCODED GEAR RECOGNITION	GROUND = N, D, 4, 2
I	EM61-27	DUAL LINEAR SWITCH VOLTAGE ENCODED GEAR RECOGNITION	GROUND = N, 4, 3, 2 8 V = R, D
I	EM61-28	DUAL LINEAR SWITCH VOLTAGE ENCODED GEAR RECOGNITION	GROUND = P, D, 3, 2
I	EM61-29	IGNITION SUPPLIED VOLTAGE	B+
I	EM61-30	TCM / DUAL LINEAR SWITCH COMMON GROUND SUPPLY	GROUND
C	EM62-L	CAN NETWORK	5 – 1500 Hz
C	EM62-H	CAN NETWORK	5 – 1500 Hz
I	EM62-12	n2 SPEED SENSOR FEEDBACK	6V = 900 Hz @ 10 MPH (16 KPH); 1800 HZ @ 20 MPH (32 KH) ('2' SELECTED - '1' ENGAGED)
O	EM62-13	SPEED SENSOR COMMON VOLTAGE SUPPLY	5V
O	EM62-14	'1-2 / 4-5' SOLENOID ACTIVATE	GROUND
O	EM62-15	'3-4' SOLENOID ACTIVATE	GROUND
O	EM62-16	'2-3' SOLENOID ACTIVATE	GROUND
O	EM62-17	TCC SOLENOID ACTIVATE	GROUND = LOCKED
O	EM62-33	SPEED SENSOR / FLUID TEMP. SENSOR COMMON GROUND	GROUND
I	EM62-34	FLUID TEMP. SENSOR FEEDBACK	1.75 V @ 90° C = R, D, 4, 3, 2
I	EM62-35	n3 SPEED SENSOR FEEDBACK	6 V = 85 Hz @ 10 MPH (16 KPH); 170 Hz @ 20 MPH (32 KPH) ('2' SELECTED - '2' ENGAGED)
O	EM62-36	MODULATION PRESSURE REGULATOR ACTIVATE	GROUND (42% PWM @ IDLE)
O	EM62-37	SHIFT PRESSURE REGULATOR ACTIVATE	GROUND (39% PWM @ IDLE)
O	EM62-38	SOLENOID VALVE / PRESSURE REGULATOR COMMON VOLTAGE SUPPLY	B+

NOTE: Refer to the Appendix at the rear of this book for CAN and SCP Network messages.

COMPONENTS

Component	Connector / Type / Color	Location / Access
DUAL LINEAR SWITCH	CC8 / 12-WAY MULTILOCK 070 / GREY	RIGHT HAND SIDE OF GEAR SELECTOR / CENTER CONSOLE
GEAR SELECTOR ILLUMINATION MODULE	CC14 / 10-WAY MULTILOCK 070 / WHITE	CENTER CONSOLE ASSEMBLY
KICKDOWN SWITCH	CC35 / 1-WAY LUCAR RIGHT ANGLE / CLEAR CC36 / 1-WAY LUCAR RIGHT ANGLE / CLEAR	BELOW ACCELERATOR PEDAL
MODE SWITCH (TRANSMISSION)	CC4 / 10-WAY AMP MICRO QUAD LOCK / BLACK	CENTER CONSOLE ASSEMBLY
TRANSMISSION CONTROL MODULE: AJ27 SC	EM61 / 18-WAY AMP JUNIOR POWER TIMER / BLACK EM62 / 14-WAY AMP JUNIOR POWER TIMER / BLACK	ENGINE COMPARTMENT / CONTROL MODULE ENCLOSURE
TRANSMISSION ELECTRICAL CONNECTOR: AJ27 SC	GB1 / 13-WAY KOSTAL 1.5 / BLACK	TRANSMISSION

HARNESS-TO-HARNESS CONNECTORS

Connector	Type / Color	Location / Access
EM44	12-WAY AUGAT 1.6 / BLACK	ENGINE COMPARTMENT / BRACKET ON TOP OF TRANSMISSION
EM53	20-WAY MULTILOCK 070 / WHITE	PASSENGER 'A' POST / LOWER 'A' POST FINISHER
EM63	14-WAY MULTILOCK 070 / YELLOW	PASSENGER 'A' POST / LOWER 'A' POST FINISHER

GROUNDS

Ground	Location / Type
CC2R	EYELET (PAIR) – DRIVE SHAFT TUNNEL GROUND STUD – LH SIDE
CC3L	EYELET (PAIR) – RH FRONT BULKHEAD STUD / CABIN SIDE
CC3R	EYELET (PAIR) – RH FRONT BULKHEAD STUD / CABIN SIDE
EM8R	EYELET (PAIR) – EMS LH GROUND STUD

FOR CONTROL MODULE PIN OUT INFORMATION, UNFOLD PAGE TO LEFT.

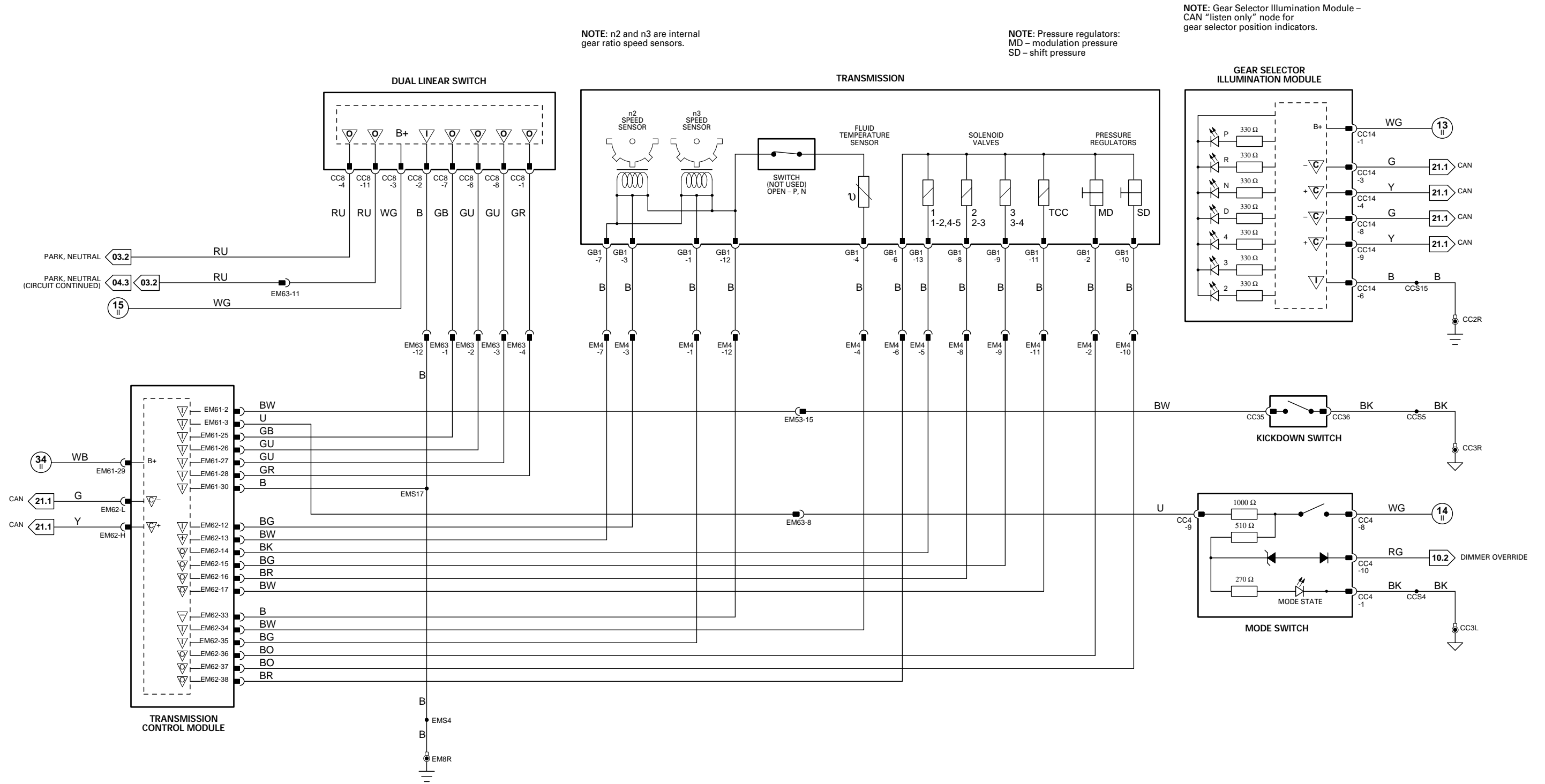
The following abbreviations are used to represent values for Control Module Pin-Out data

I	Input	SG	Sensor Ground	S	SCP Network	V	Voltage (DC)
O	Output	A	ACP Network	D	Serial and Encoded Data	Hz	Frequency
SS	Sensor Supply V	C	CAN (Network)	B+	Battery Voltage	kHz	Frequency x 1000

CAUTION: The information on this data page is furnished to aid the user in understanding circuit operation. **THIS INFORMATION SHOULD BE USED FOR REFERENCE ONLY.**

NOTE: The values listed are approximately those that can be expected at the control module connector pins with all circuit connections made and all components connected and fitted. "Active" means a load is applied or a switch is ON; "Inactive" means a load is not applied or a switch is OFF.

Refer to the front of this book for detailed information and illustrations regarding the location and identification of harnesses, relays, grounds, control modules and control module pins.



CONTROL MODULE PIN OUT INFORMATION

Fig. 05.3

BODY PROCESSOR MODULE

Pin	Description	Active	Inactive
I FC15-15	IGNITION SWITCHED GROUND	GROUND	B+
I FC15-32	IGNITION SWITCHED GROUND	GROUND	B+
O FC15-48	GEARSHIFT INTERLOCK SOLENOID ACTIVATE	B+ (UNLOCKED)	GROUND (LOCKED)
O FC15-51	COLUMN SWITCHGEAR KEYLOCK SOLENOID ACTIVATE	B+ (LOCKED)	GROUND (UNLOCKED)
I FC15-58	NOT IN PARK MICROSWITCH STATUS	GROUND (PARK)	B+ (NOT IN PARK)
I FC15-80	BATTERY SUPPLY VOLTAGE	B+	B+
S FC15-84	SCP NETWORK	2 – 1600 Hz	
S FC15-85	SCP NETWORK	2 – 1600 Hz	
I FC15-104	BATTERY SUPPLY VOLTAGE	B+	B+

ENGINE CONTROL MODULE

Pin	Description	Active	Inactive
I EM82-08	BRAKE SWITCH	GROUND	B+
C EM83-16	CAN NETWORK	15 – 1500 Hz	
C EM83-25	CAN NETWORK	15 – 1500 Hz	

GEAR SELECTOR ILLUMINATION MODULE

Pin	Description	Active	Inactive
C CC14-3	CAN NETWORK	15 – 1500 Hz @ 2.5 V	
C CC14-4	CAN NETWORK	15 – 1500 Hz @ 2.5 V	
C CC14-8	CAN NETWORK	15 – 1500 Hz @ 2.5 V	
C CC14-9	CAN NETWORK	15 – 1500 Hz @ 2.5 V	

INSTRUMENT PACK

Pin	Description	Active	Inactive
C FC24-11	CAN NETWORK	15 – 1500 Hz	
S FC24-13	SCP NETWORK	2 – 1600 Hz	
S FC24-14	SCP NETWORK	2 – 1600 Hz	
C FC24-24	CAN NETWORK	15 – 1500 Hz	

NOTE: Refer to the Appendix at the rear of this book for CAN and SCP Network messages.

COMPONENTS

Component	Connector / Type / Color	Location / Access
BODY PROCESSOR MODULE	FC15 / 14-WAY AMP EEEEC / GREY	BULKHEAD / BEHIND GLOVE BOX
BRAKE SWITCH	CC40 / 4-WAY MULTILOCK 070 / WHITE	ADJACENT TO THE BRAKE PEDAL MOUNTING ASSEMBLY
ENGINE CONTROL MODULE	EM80 / 31-WAY AMP 403 / NATURAL EM81 / 24-WAY AMP 403 / NATURAL EM82 / 17-WAY AMP 403 / NATURAL EM83 / 28-WAY AMP 403 / NATURAL EM84 / 22-WAY AMP 403 / NATURAL EM85 / 12-WAY MULTILOCK 070 / WHITE	ENGINE COMPARTMENT / CONTROL MODULE ENCLOSURE
GEAR SELECTOR ILLUMINATION MODULE	CC14 / 10-WAY MULTILOCK 070 / WHITE	CENTER CONSOLE ASSEMBLY
GEARSHIFT INTERLOCK SOLENOID	CC12 / 2-WAY MULTILOCK 070 / WHITE	GEAR SELECTOR ASSEMBLY / CENTER CONSOLE
INSTRUMENT PACK	FC24 / 26-WAY AMP MICRO QUAD LOCK / BLACK FC25 / 26-WAY AMP MICRO QUAD LOCK / YELLOW	FASCIA
KEYLOCK SOLENOID (COLUMN SWITCHGEAR)	SC5 / 2-WAY MULTILOCK 040 / BLUE	COLUMN SWITCHGEAR
NOT-IN-PARK MICROSWITCH	CC13 / 3-WAY MULTILOCK 070 / WHITE	CENTER CONSOLE ASSEMBLY

HARNESS-TO-HARNESS CONNECTORS

Connector	Type / Color	Location / Access
CA19	20-WAY MULTILOCK 070 / YELLOW	LH 'A' POST CONNECTOR MOUNTING BRACKET / LOWER 'A' POST FINISHER
EM1	12-WAY AUGAT 1.6 / BLACK	ENGINE COMPARTMENT / ADJACENT TO ABS PUMP
EM2	20-WAY MULTILOCK 070 / GREY	PASSENGER 'A' POST / LOWER 'A' POST FINISHER
FC7	20-WAY MULTILOCK 070 / YELLOW	ABOVE DIMMER MODULE / COIN TRAY
FC11	18-WAY MULTILOCK 070 / WHITE	ABOVE DIMMER MODULE / COIN TRAY
LF3	54-WAY THROUGH PANEL CONNECTOR / GREY	LH 'A' POST / LOWER 'A' POST FINISHER
SC1	12-WAY MULTILOCK 070 / WHITE	COLUMN SWITCHGEAR

GROUND

Ground	Location / Type
CC2R	EYELET (PAIR) – DRIVE SHAFT TUNNEL GROUND STUD – LH SIDE
CC3L	EYELET (PAIR) – RH FRONT BULKHEAD STUD / CABIN SIDE
FC29L	EYELET (PAIR) – LH BULKHEAD GROUND STUD / CABIN SIDE

FOR CONTROL MODULE PIN OUT INFORMATION, UNFOLD PAGE TO LEFT.

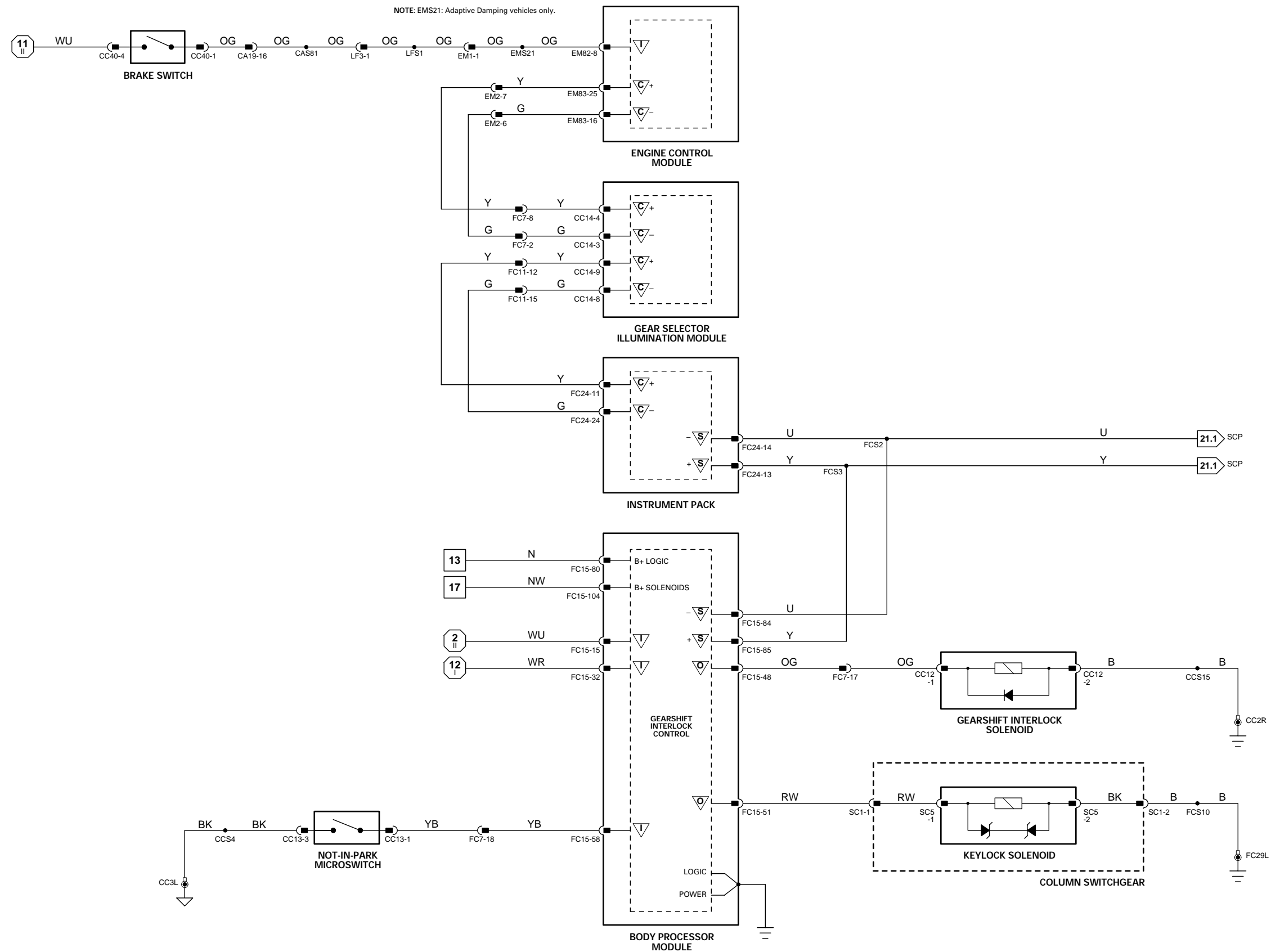
The following abbreviations are used to represent values for Control Module Pin-Out data

I	Input	SG	Sensor Ground	S	SCP Network	V	Voltage (DC)
O	Output	A	ACP Network	D	Serial and Encoded Data	Hz	Frequency
SS	Sensor Supply V	C	CAN (Network)	B+	Battery Voltage	kHz	Frequency x 1000

CAUTION: The information on this data page is furnished to aid the user in understanding circuit operation. THIS INFORMATION SHOULD BE USED FOR REFERENCE ONLY.

NOTE: The values listed are approximately those that can be expected at the control module connector pins with all circuit connections made and all components connected and fitted. "Active" means a load is applied or a switch is ON; "Inactive" means a load is not applied or a switch is OFF.

Refer to the front of this book for detailed information and illustrations regarding the location and identification of harnesses, relays, grounds, control modules and control module pins.



CONTROL MODULE PIN OUT INFORMATION

ABS / TRACTION CONTROL CONTROL MODULE

Pin	Description	Active	Inactive
O LF27-1	BRAKE FLUID RESERVOIR LEVEL SWITCH REFERENCE	B+	B+
I LF27-2	BRAKE SWITCH	GROUND	B+
I LF27-3	RH FRONT WHEEL SPEED SENSOR	2.5 V @ 10 MPH (16 KM/H) = 100 Hz; 20 MPH (32 KM/H) = 200 Hz	
SG LF27-4	RH FRONT WHEEL SPEED SENSOR	2.5 V @ REST	
C LF27-5	CAN NETWORK	15 – 1500 Hz	
SG LF27-6	RH REAR WHEEL SPEED SENSOR	2.5 V @ REST	
I LF27-7	RH REAR WHEEL SPEED SENSOR	2.5 V @ 10 MPH (16 KM/H) = 100 Hz; 20 MPH (32 KM/H) = 200 Hz	
I LF27-8	POWER GROUND	GROUND	GROUND
I LF27-9	BATTERY POWER SUPPLY	B+	
I LF27-13	BRAKE FLUID RESERVOIR LEVEL SWITCH	GROUND	B+
I LF27-14	STABILITY / TRACTION CONTROL SWITCH	GROUND (MOMENTARY)	B+
C LF27-15	CAN NETWORK	15 – 1500 Hz	
O LF27-16	STABILITY / TRACTION CONTROL SWITCH STATE LED	GROUND	B+
I LF27-17	LH FRONT WHEEL SPEED SENSOR	2.5 V @ 10 MPH (16 KM/H) = 100 Hz; 20 MPH (32 KM/H) = 200 Hz	
SG LF27-18	LH FRONT WHEEL SPEED SENSOR	2.5 V @ REST	
LF27-19	NOT USED		
I LF27-20	IGNITION SWITCHED SUPPLY	B+	GROUND
I LF27-21	LH REAR WHEEL SPEED SENSOR	2.5 V @ 10 MPH (16 KM/H) = 100 Hz; 20 MPH (32 KM/H) = 200 Hz	
SG LF27-22	LH REAR WHEEL SPEED SENSOR	2.5 V @ REST	
I LF27-24	POWER GROUND	GROUND	GROUND
I LF27-25	BATTERY POWER SUPPLY	B+	B+

NOTE: Refer to the Appendix at the rear of this book for CAN and SCP Network messages.

Fig. 06.1

COMPONENTS

Component	Connector / Type / Color	Location / Access
ABS / TRACTION CONTROL CONTROL MODULE	LF27 / 25-WAY AMP / FORD / BLACK	ENGINE COMPARTMENT / BEHIND LH HEADLAMP ASSEMBLY
BRAKE FLUID RESERVOIR	EM37 / 2-WAY AMP JUNIOR POWER TIMER / BLACK	ENGINE COMPARTMENT / ON BRAKE FLUID RESERVOIR
BRAKE SWITCH	CC40 / 4-WAY MULTILOCK 070 / WHITE	ADJACENT TO THE BRAKE PEDAL MOUNTING ASSEMBLY
STABILITY / TRACTION CONTROL SWITCH (CENTER CONSOLE SWITCH PACK)	CC1 / 16-WAY FORD IDC S.U. / BLACK	CENTER CONSOLE SWITCH PACK
WHEEL SPEED SENSOR – LH FRONT	FL1 / 2-WAY REINSHAGEN METRI 630 / BLACK	LH FRONT HUB ASSEMBLY
WHEEL SPEED SENSOR – LH REAR	LA2 / 2-WAY REINSHAGEN METRI 630 / BLACK	REAR AXLE / LH WHEEL HUB
WHEEL SPEED SENSOR – RH FRONT	FR1 / 2-WAY REINSHAGEN METRI 630 / BLACK	RH FRONT HUB ASSEMBLY
WHEEL SPEED SENSOR – RH REAR	RA2 / 2-WAY REINSHAGEN METRI 630 / BLACK	REAR AXLE / RH WHEEL HUB

HARNESSTO-HARNESSTO CONNECTORS

Connector	Type / Color	Location / Access
CA9	4-WAY MULTILOCK 070 / WHITE	BELOW REAR SEAT CUSHION
CA19	20-WAY MULTILOCK 070 / YELLOW	LH 'A' POST CONNECTOR MOUNTING BRACKET / LOWER 'A' POST FINISHER
CA29	4-WAY MULTILOCK 070 / WHITE	BELOW REAR SEAT CUSHION
EM1	12-WAY AUGAT 1.6 / BLACK	ENGINE COMPARTMENT / ADJACENT TO ABS PUMP
LF1	2-WAY AUGAT 1.6 / NATURAL	BELOW CHASSIS RAIL / LH SIDE
LF2	2-WAY AUGAT 1.6 / NATURAL	BELOW CHASSIS RAIL / RH SIDE
LF3	54-WAY THROUGH PANEL CONNECTOR / GREY	LH 'A' POST / LOWER 'A' POST FINISHER

GROUNDS

Ground	Location / Type
CC3L	EYELET (PAIR) – RH FRONT BULKHEAD STUD / CABIN SIDE
LF29L	EYELET (PAIR) – ABS GROUND STUD
LF29R	EYELET (PAIR) – ABS GROUND STUD

FOR CONTROL MODULE PIN OUT INFORMATION, UNFOLD PAGE TO LEFT.

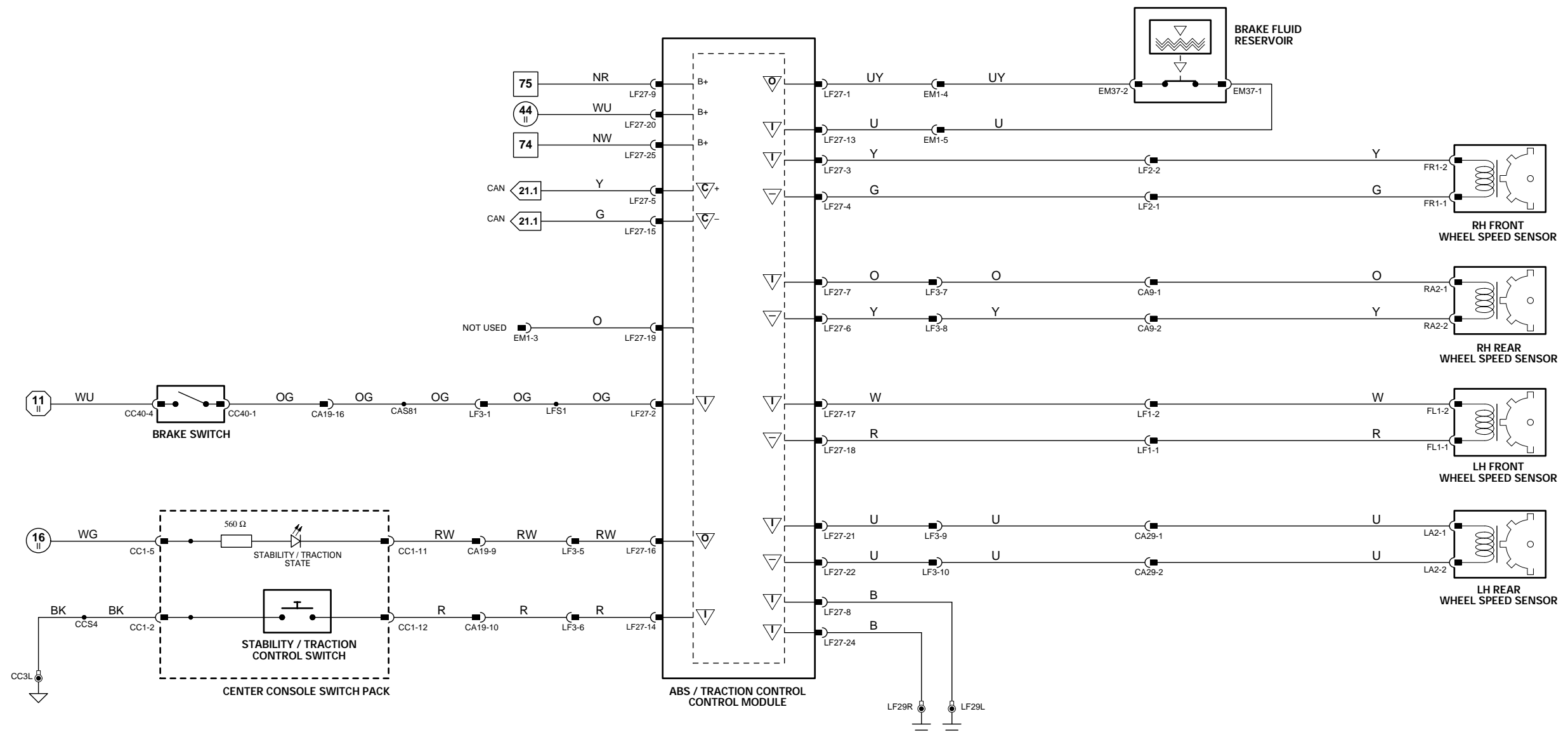
The following abbreviations are used to represent values for Control Module Pin-Out data

I	Input	SG	Sensor Ground	S	SCP Network	V	Voltage (DC)
O	Output	A	ACP Network	D	Serial and Encoded Data	Hz	Frequency
SS	Sensor Supply V	C	CAN (Network)	B+	Battery Voltage	kHz	Frequency x 1000

CAUTION: The information on this data page is furnished to aid the user in understanding circuit operation. THIS INFORMATION SHOULD BE USED FOR REFERENCE ONLY.

NOTE: The values listed are approximately those that can be expected at the control module connector pins with all circuit connections made and all components connected and fitted. "Active" means a load is applied or a switch is ON; "Inactive" means a load is not applied or a switch is OFF.

Refer to the front of this book for detailed information and illustrations regarding the location and identification of harnesses, relays, grounds, control modules and control module pins.



CONTROL MODULE PIN OUT INFORMATION

POWER ASSISTED STEERING CONTROL MODULE

Pin	Description	Active	Inactive
0	CA32-2	TRANSDUCER NEGATIVE	2 V @ IDLE DECREASING WITH VEHICLE SPEED
1	CA32-4	VEHICLE SPEED	B+ @ 10 MPH (16 KM/H) = 20 Hz, 20 MPH (32 KM/H) = 40 Hz
0	CA32-5	TRANSDUCER POSITIVE	9 V @ IDLE INCREASING WITH VEHICLE SPEED
1	CA32-6	IGNITION SWITCHED POWER SUPPLY	B+
1	CA32-8	GROUND	0 V

Fig. 06.2

Component	Connector / Type / Color	Location / Access
POWER ASSISTED STEERING CONTROL MODULE	CA32 / 9-WAY RISTS / BLACK	LOWER LH 'A' POST / LOWER 'A' POST FINISHER
VARIABLE STEERING CONVERTER	LL3 / 2-WAY AMP JUNIOR POWER TIMER / NATURAL	STEERING RACK / CONTROL VALVE

HARNESSTO-HARNESSTO CONNECTORS		
Connector	Type / Color	Location / Access
FC5	54-WAY THROUGH PANEL CONNECTOR / GREY	BELOW DRIVER SIDE AIR VENT / COIN TRAY
LL2	2-WAY AUGAT 1.6 / BLACK	BELOW CHASSIS RAIL / LH SIDE
LF3	54-WAY THROUGH PANEL CONNECTOR / GREY	LH 'A' POST / LOWER 'A' POST FINISHER

GROUNDS	
Ground	Location / Type
CA30L	EYELET (PAIR) – LH 'A' POST GROUND SCREW

FOR CONTROL MODULE PIN OUT INFORMATION, UNFOLD PAGE TO LEFT.

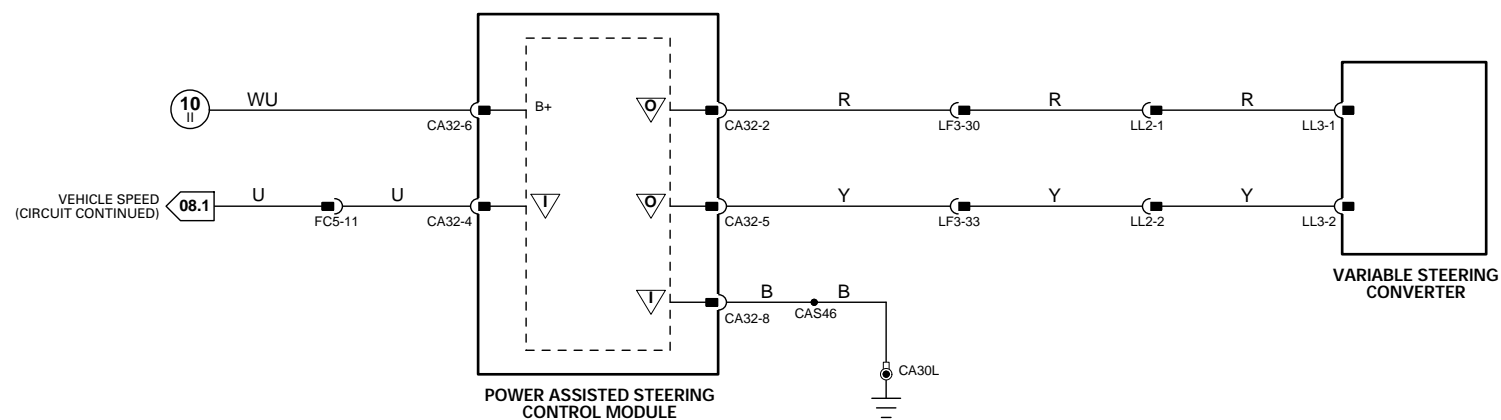
The following abbreviations are used to represent values for Control Module Pin-Out data

I	Input	SG	Sensor Ground	S	SCP Network	V	Voltage (DC)
O	Output	A	ACP Network	D	Serial and Encoded Data	Hz	Frequency
SS	Sensor Supply V	C	CAN (Network)	B+	Battery Voltage	kHz	Frequency x 1000

CAUTION: The information on this data page is furnished to aid the user in understanding circuit operation. THIS INFORMATION SHOULD BE USED FOR REFERENCE ONLY.

NOTE: The values listed are approximately those that can be expected at the control module connector pins with all circuit connections made and all components connected and fitted. "Active" means a load is applied or a switch is ON; "Inactive" means a load is not applied or a switch is OFF.

Refer to the front of this book for detailed information and illustrations regarding the location and identification of harnesses, relays, grounds, control modules and control module pins.



CONTROL MODULE PIN OUT INFORMATION

Fig. 06.3

ADAPTIVE DAMPING CONTROL MODULE

Pin	Description	Active	Inactive
O	EM68-1 INSTRUMENT PACK ADAPTIVE DAMPENING MIL	GROUND	B+
O	EM68-3 ACCELEROMETER COMMON GROUND SUPPLY	GROUND	GROUND
D	EM68-10 SERIAL COMMUNICATIONS		
I	EM68-11 IGNITION SWITCHED POWER SUPPLY	B+	GROUND
O	EM68-13 LH REAR DAMPER BATTERY POWER SUPPLY	B+	B+
O	EM68-14 RH FRONT DAMPER BATTERY POWER SUPPLY	B+	B+
O	EM68-15 RH REAR DAMPER BATTERY POWER SUPPLY	B+	B+
I	EM68-18 GROUND	GROUND	GROUND
I	EM68-20 FRONT LATERAL ACCELEROMETER FEEDBACK	< 0.2 V OR > 4.8 V	2.3 – 2.7 V = HARD
I	EM68-21 FRONT VERTICAL ACCELEROMETER FEEDBACK	< 0.2 V OR > 4.8 V	2.3 – 2.7 V = HARD
I	EM68-22 REAR VERTICAL ACCELEROMETER FEEDBACK	< 0.2 V OR > 4.8 V	2.3 – 2.7 V = HARD
I	EM68-24 VEHICLE SPEED SIGNAL	22 Hz @ 10 MPH (16 KM / H); 44 Hz @ 20 MPH (32 KM / H) @ B+	
O	EM68-25 ACCELEROMETER COMMON VOLTAGE SUPPLY	5 V	5 V
I	EM68-26 BRAKE SWITCH	GROUND	B+
I	EM68-27 BATTERY POWER SUPPLY	B+	B+
D	EM68-28 SERIAL COMMUNICATIONS		
O	EM68-30 LH FRONT DAMPER BATTERY POWER SUPPLY	B+	B+
O	EM68-31 LH FRONT DAMPER	GROUND	B+
O	EM68-32 LH REAR DAMPER	GROUND	B+
O	EM68-33 RH FRONT DAMPER	GROUND	B+
O	EM68-34 RH REAR DAMPER	GROUND	B+

COMPONENTS

Component	Connector / Type / Color	Location / Access
ACCELEROMETER – FRONT LATERAL	EM28 / 3-WAY AMP MICRO QUAD LOCK / BLACK	ENGINE COMPARTMENT / CONTROL MODULE ENCLOSURE
ACCELEROMETER – FRONT VERTICAL	EM4 / 3-WAY AMP MICRO QUAD LOCK / BLACK	ENGINE COMPARTMENT / CONTROL MODULE ENCLOSURE
ACCELEROMETER – REAR VERTICAL	BT7 / 3-WAY AMP MICRO QUAD LOCK / BLACK	BELOW FUEL TANK / TRUNK CARPET
ADAPTIVE DAMPING CONTROL MODULE	EM68 / 35-WAY AMP JUNIOR POWER TIMER / BLACK	ADJACENT TO PASSENGER SIDE BLOWER / GLOVE BOX ASSEMBLY
BRAKE SWITCH	CC40 / 4-WAY MULTILOCK 070 / WHITE	ADJACENT TO THE BRAKE PEDAL MOUNTING ASSEMBLY
DAMPER SOLENOID – LH FRONT	EM64 / 2-WAY DELPHI / REINSHAGEN / BLACK	ENGINE COMPARTMENT / LEFT HAND SIDE
DAMPER SOLENOID – LH REAR	LA1 / 2-WAY DELPHI / REINSHAGEN / BLACK	REAR AXLE / LH REAR DAMPER SOLENOID
DAMPER SOLENOID – RH FRONT	EM65 / 2-WAY DELPHI / REINSHAGEN / BLACK	ENGINE COMPARTMENT / RIGHT HAND SIDE
DAMPER SOLENOID – RH REAR	RA1 / 2-WAY DELPHI / REINSHAGEN / BLACK	REAR AXLE / RH REAR DAMPER SOLENOID

HARNESS-TO-HARNESS CONNECTORS

Connector	Type / Color	Location / Access
BT4	54-WAY THROUGH PANEL / GREY	BELOW PARCEL SHELF / TRUNK / REAR BULKHEAD / RH SIDE
CA9	4-WAY MULTILOCK 070 / WHITE	BELOW REAR SEAT CUSHION
CA19	20-WAY MULTILOCK 070 / YELLOW	LH 'A' POST CONNECTOR MOUNTING BRACKET / LOWER 'A' POST FINISHER
CA29	4-WAY MULTILOCK 070 / WHITE	BELOW REAR SEAT CUSHION
EM1	12-WAY AUGAT 1.6 / BLACK	ENGINE COMPARTMENT / ADJACENT TO ABS PUMP
EM2	20-WAY MULTILOCK 070 / GREY	PASSENGER 'A' POST / LOWER 'A' POST FINISHER
FC1	54-WAY THROUGH PANEL CONNECTOR / GREY	BELOW PASSENGER SIDE AIR VENT / GLOVE BOX ASSEMBLY
FC5	54-WAY THROUGH PANEL CONNECTOR / GREY	BELOW DRIVER SIDE AIR VENT / COIN TRAY
LF3	54-WAY THROUGH PANEL CONNECTOR / GREY	LH 'A' POST / LOWER 'A' POST FINISHER

GROUND

Ground	Location / Type
EM17	EYELET (SINGLE) – EMS BULKHEAD GROUND STUD

FOR CONTROL MODULE PIN OUT INFORMATION, UNFOLD PAGE TO LEFT.

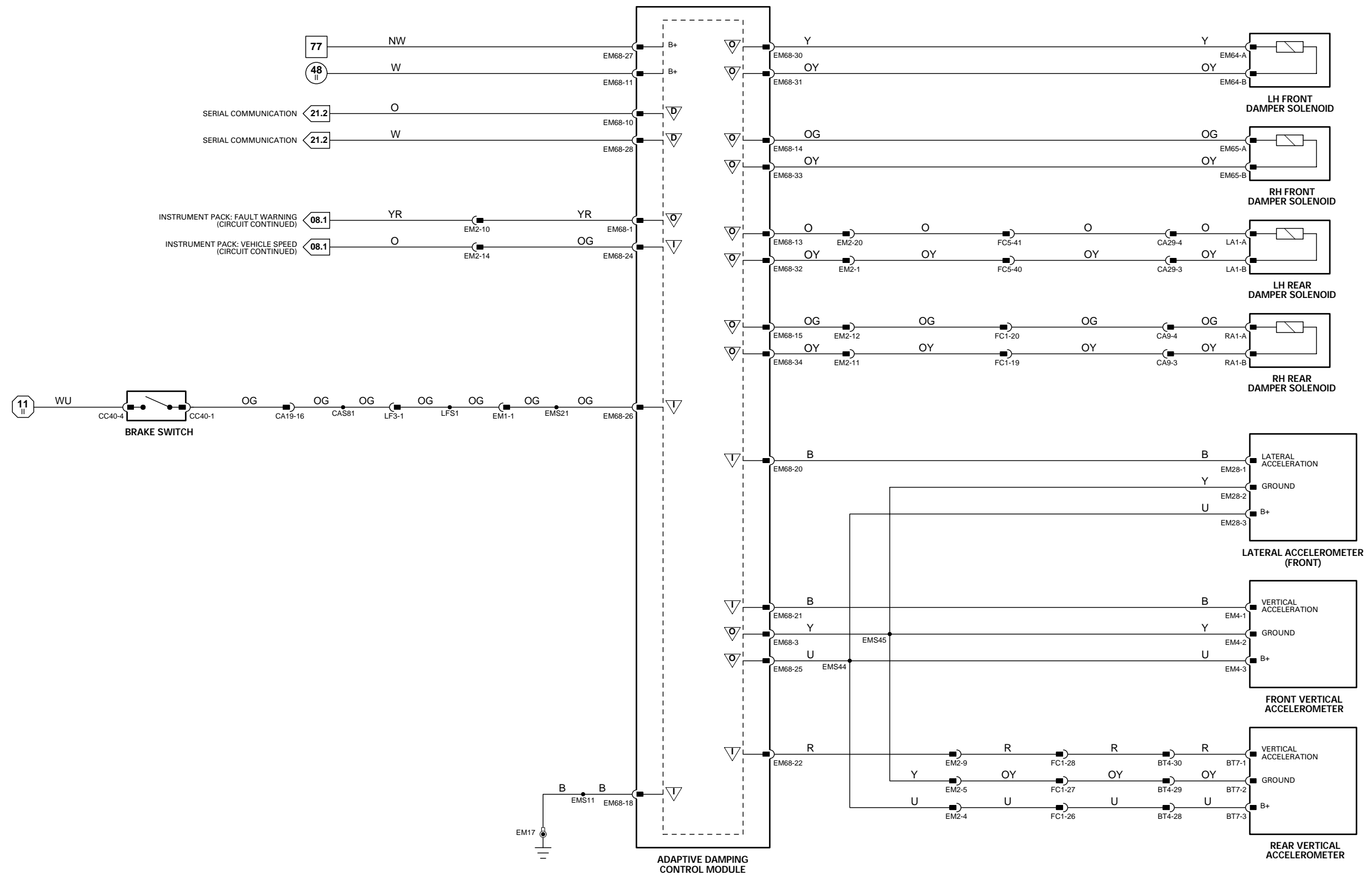
The following abbreviations are used to represent values for Control Module Pin-Out data

I	Input	SG	Sensor Ground	S	SCP Network	V	Voltage (DC)
O	Output	A	ACP Network	D	Serial and Encoded Data	Hz	Frequency
SS	Sensor Supply V	C	CAN (Network)	B+	Battery Voltage	kHz	Frequency x 1000

CAUTION: The information on this data page is furnished to aid the user in understanding circuit operation. THIS INFORMATION SHOULD BE USED FOR REFERENCE ONLY.

NOTE: The values listed are approximately those that can be expected at the control module connector pins with all circuit connections made and all components connected and fitted. "Active" means a load is applied or a switch is ON; "Inactive" means a load is not applied or a switch is OFF.

Refer to the front of this book for detailed information and illustrations regarding the location and identification of harnesses, relays, grounds, control modules and control module pins.



CONTROL MODULE PIN OUT INFORMATION

Fig. 07.1

AIR CONDITIONING CONTROL MODULE

Pin	Description	Active	Inactive
0	CC28-6 DEFROST VENT SERVO MOTOR	B+	0 V
0	CC28-7 CENTER VENT SERVO MOTOR	B+	0 V
0	CC28-8 LH FRESH / RECIRCULATION VENT MOTOR	B+	0 V
0	CC28-9 RH FRESH / RECIRCULATION VENT MOTOR	B+	0 V
0	CC28-12 FOOTWELL VENT SERVO MOTOR	B+	0 V
0	CC28-13 COOL AIR BYPASS VENT SERVO MOTOR	B+	0 V
0	CC28-19 DEFROST VENT SERVO MOTOR	B+	0 V
0	CC28-20 CENTER VENT SERVO MOTOR	B+	0 V
0	CC28-21 LH FRESH / RECIRCULATION VENT SERVO MOTOR	B+	0 V
0	CC28-22 RH FRESH / RECIRCULATION VENT SERVO MOTOR	B+	0 V
0	CC28-25 FOOTWELL SERVO MOTOR	B+	0 V
0	CC28-26 COOL AIR BYPASS SERVO MOTOR	B+	0 V
I	CC29-1 SOLAR SENSOR FEEDBACK	0.75 V – 4.75 V; INCREASING WITH SOLAR LOAD	
I	CC29-2 CENTER VENT POTENTIOMETER FEEDBACK	> 3.5 V = OPEN	< 1 V = CLOSED
I	CC29-3 RH FRESH / RECIRCULATION VENT POTENTIOMETER FEEDBACK	> 3.5 V = OPEN	< 1 V = CLOSED
I	CC29-5 COOL AIR BYPASS VENT POTENTIOMETER FEEDBACK	> 3.5 V = OPEN	< 1 V = CLOSED
I	CC29-6 ENGINE COOLANT TEMPERATURE	2.5 V @ 90° C, VOLTAGE DECREASING WITH TEMPERATURE INCREASE	
I	CC29-10 DEFROST VENT POTENTIOMETER FEEDBACK	> 3.5 V = OPEN	< 1 V = CLOSED
I	CC29-11 LH FRESH / RECIRCULATION VENT POTENTIOMETER FEEDBACK	> 3.5 V = OPEN	< 1 V = CLOSED
I	CC29-13 FOOTWELL VENT POTENTIOMETER FEEDBACK	> 3.5 V = OPEN	< 1 V = CLOSED
O	CC30-2 CLOCK	B+ (1.45 Hz)	
D	CC30-3 SERIAL DATA OUTPUT TO CONTROL PANEL		
I	CC30-5 AMBIENT TEMPERATURE SENSOR FEEDBACK	2.18 V @ 25° C, VOLTAGE DECREASING WITH TEMPERATURE INCREASE	
I	CC30-6 HEATER MATRIX TEMPERATURE SENSOR FEEDBACK	2.25 V @ 20° C, VOLTAGE DECREASING WITH TEMPERATURE INCREASE	
D	CC30-7 SERIAL DATA INPUT FROM CONTROL PANEL		
O	CC30-8 START	B+ (MOMENTARY)	0 V
I	CC30-11 IN CAR TEMPERATURE SENSOR FEEDBACK	3.25 V @ 0° C, VOLTAGE DECREASING WITH TEMPERATURE INCREASE	
I	CC30-12 EVAPORATOR TEMPERATURE SENSOR FEEDBACK	3.25 V @ 0° C, VOLTAGE DECREASING WITH TEMPERATURE INCREASE	
I	CC31-1 IGNITION SWITCHED POWER SUPPLY	B+	0 V
I	CC31-2 ISOLATE RELAY CONTROLLED BATTERY POWER SUPPLY	B+	0 V
I	CC31-3 IGNITION SWITCHED GROUND	0 V	B+
O	CC31-4 CONTROL PANEL BATTERY POWER SUPPLY	B+	0 V
I	CC31-5 BATTERY POWER SUPPLY	B+	B+
I	CC31-6 ENGINE SPEED SIGNAL	5 V @ 1000 RPM = 45 Hz; 2000 RPM = 90 Hz	
SG	CC31-8 POTENTIOMETER COMMON REFERENCE VOLTAGE	5 V	5 V
D	CC31-10 SERIAL COMMUNICATIONS INPUT		
O	CC31-12 CONTROL PANEL BATTERY POWER SUPPLY	B+	B+
I	CC31-13 GROUND	0 V	0 V
O	CC31-14 CONTROL PANEL GROUND SUPPLY	0 V	0 V
O	CC31-15 ISOLATE RELAY ACTIVE	B+	0 V
I	CC31-16 VEHICLE SPEED SIGNAL	22 Hz @ 10 MPH (16 KM/H); 44 Hz @ 20 MPH (32 KM/H) @ B+	
O	CC31-18 ASPIRATOR MOTOR POWER SUPPLY	B+	0 V
SG	CC31-19 POTENTIOMETER COMMON REFERENCE GROUND	0 V	0 V
I	CC31-20 GROUND	0 V	0 V
D	CC31-21 SERIAL COMMUNICATIONS OUTPUT		

AIR CONDITIONING CONTROL PANEL

Pin	Description	Active	Inactive
I	CC27-1 CLOCK	B+ (1.45 kHz)	B+
I	CC27-2 START	B+	GROUND
D	CC27-3 SERIAL DATA OUTPUT TO A/C CONTROL MODULE		
D	CC27-4 SERIAL DATA INPUT FROM A/C CONTROL MODULE		
I	CC27-5 IGNITION SWITCHED POWER SUPPLY	B+	GROUND
I	CC27-6 BATTERY POWER SUPPLY	B+	B+
I	CC27-7 CONTROL PANEL GROUND SUPPLY	GROUND	GROUND
I	CC27-8 LOCATE ILLUMINATION SUPPLY	B+	GROUND
I	CC27-9 DIMMER OVERRIDE REQUEST	GROUND	B+

COMPONENTS

Component	Connector / Type / Color	Location / Access
AIR CONDITIONING CONTROL MODULE	CC28 / 26-WAY MULTILOCK 47 / GREY CC29 / 16-WAY MULTILOCK 47 / GREY CC30 / 12-WAY MULTILOCK 47 / GREY CC31 / 22-WAY MULTILOCK 47 / GREY	RH SIDE OF TRANSMISSION TUNNEL / GLOVE BOX ASSEMBLY
AIR CONDITIONING CONTROL PANEL	CC27 / 12-WAY MULTILOCK 040 / BLUE	CENTER CONSOLE
AIR INTAKE – LH BLOWER	CC32 / 15-WAY SUMITOMO 90 HYBRID / GREEN	LH SIDE FASCIA GLOVE BOX
AIR INTAKE – RH BLOWER	CC33 / 15-WAY SUMITOMO 90 HYBRID / GREEN	RH SIDE FASCIA GLOVE BOX
AMBIENT TEMPERATURE SENSOR	LF16 / 2-WAY YAZAKI 92 / BLACK	ADJACENT TO RADIATOR / BUMPER UNDER TRAY
ASPIRATOR ASSEMBLY	FC40 / 4-WAY MULTILOCK 070 / WHITE	DRIVER SIDE KNEE BOLSTER
EVAPORATOR / HEATER MATRIX ASSEMBLY	CC34 / 12-WAY MULTILOCK 040 / BLACK	LH SIDE OF TRANSMISSION TUNNEL / LH DASH LINER
SOLAR SENSOR	FC52 / 2-WAY MULTILOCK 070 / GREY	WINDSHIELD CENTER VENT
VENT ASSEMBLY	FC44 / 12-WAY MULTILOCK 040 / BLACK	FASCIA – CENTER

RELAYS

Relay	Case Color	Connector / Color	Location / Access
AIR CONDITIONING ISOLATE RELAY	BLACK	CA50 / BLACK	LH HEELBOARD RELAYS / HEELBOARD COVER

HARNESSTO-HARNESSTO CONNECTORS

Connector	Type / Color	Location / Access
CA19	20-WAY MULTILOCK 070 / YELLOW	LH 'A' POST CONNECTOR MOUNTING BRACKET / LOWER 'A' POST FINISHER
CA20	20-WAY MULTILOCK 070 / YELLOW	RH 'A' POST CONNECTOR MOUNTING BRACKET / LOWER 'A' POST FINISHER
FC7	20-WAY MULTILOCK 070 / YELLOW	ABOVE DIMMER MODULE / COIN TRAY
FC11	18-WAY MULTILOCK 070 / WHITE	ABOVE DIMMER MODULE / COIN TRAY

GROUNDS

Ground	Location / Type
CA31L	EYELET (PAIR) – RH DRIVE SHAFT TUNNEL GROUND STUD
CC3R	EYELET (PAIR) – RH FRONT BULKHEAD STUD / CABIN SIDE
FC29L	EYELET (PAIR) – LH BULKHEAD GROUND STUD / CABIN SIDE

FOR CONTROL MODULE PIN OUT INFORMATION, UNFOLD PAGE TO LEFT.

The following abbreviations are used to represent values for Control Module Pin-Out data

I	Input	SG	Sensor Ground	S	SCP Network	V	Voltage (DC)
O	Output	A	ACP Network	D	Serial and Encoded Data	Hz	Frequency
SS	Sensor Supply V	C	CAN (Network)	B+	Battery Voltage	kHz	Frequency x 1000

CAUTION: The information on this data page is furnished to aid the user in understanding circuit operation. THIS INFORMATION SHOULD BE USED FOR REFERENCE ONLY.

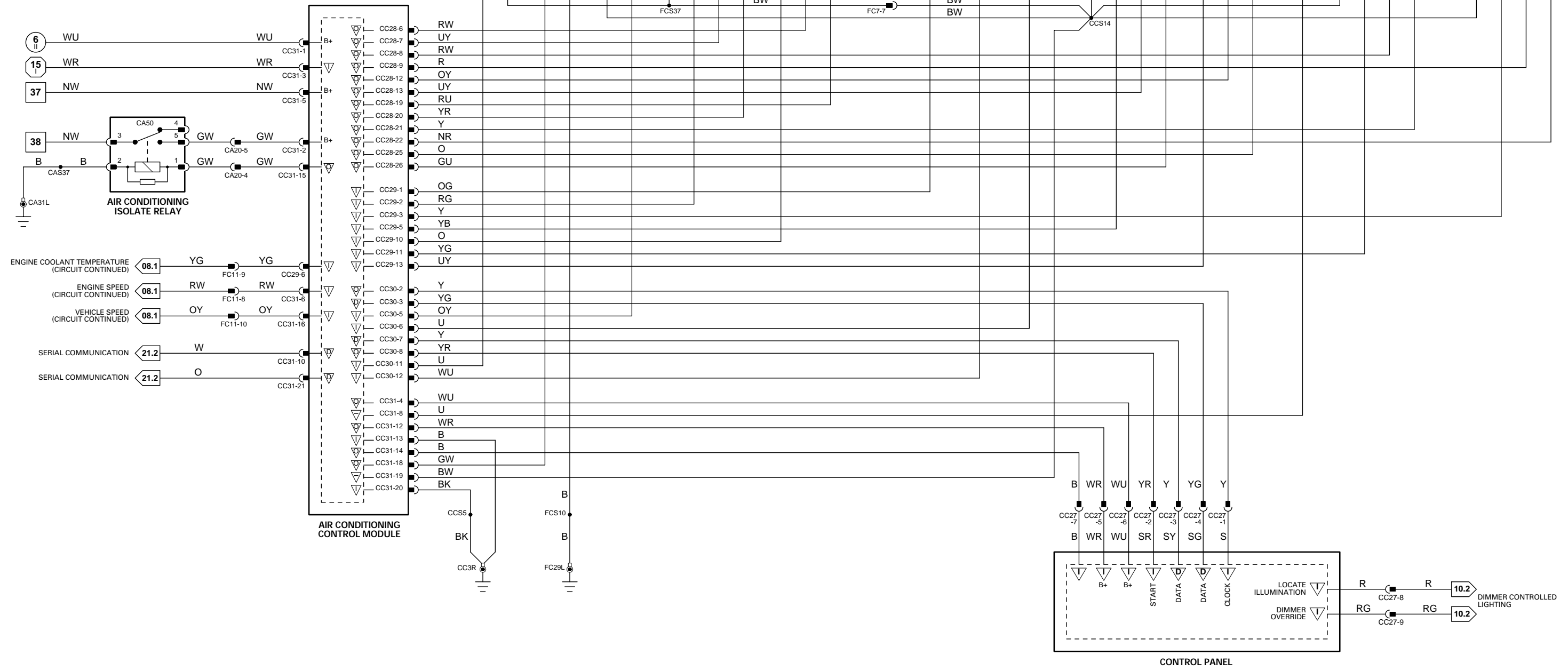
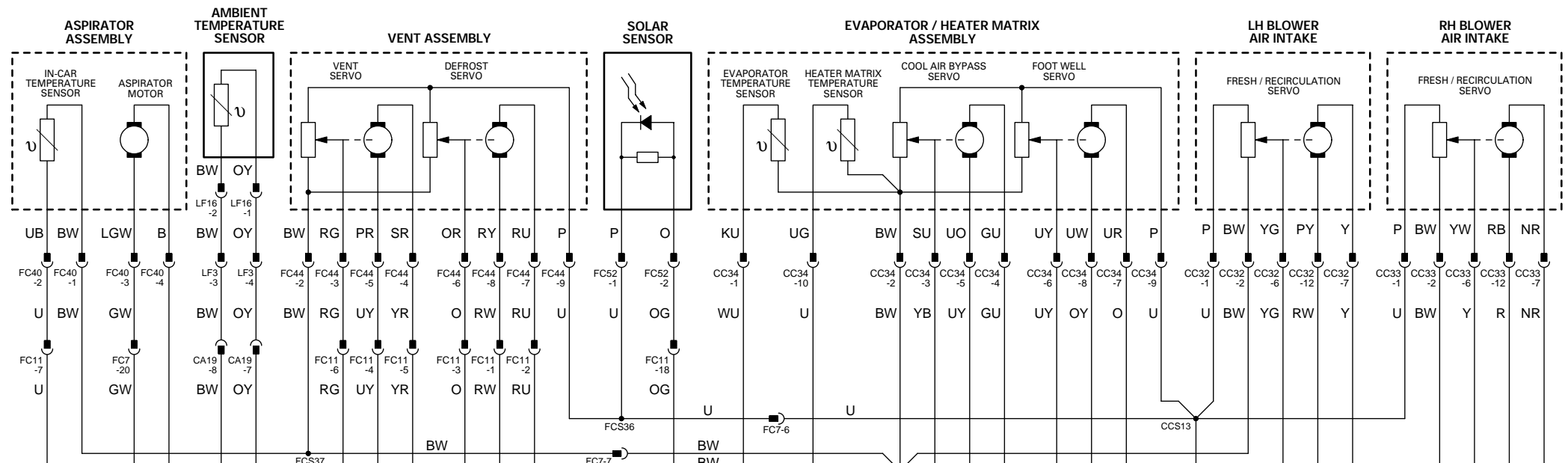
NOTE: The values listed are approximately those that can be expected at the control module connector pins with all circuit connections made and all components connected and fitted. "Active" means a load is applied or a switch is ON; "Inactive" means a load is not applied or a switch is OFF.

Refer to the front of this book for detailed information and illustrations regarding the location and identification of harnesses, relays, grounds, control modules and control module pins.



NOTE: When the ignition switched ground input is interrupted during engine cranking, the A/CCM will not drive high power consuming components.

NOTE: The A/C Isolate Relay remains energized by the A/CCM for 30 seconds after the ignition is switched off so that power is supplied for the A/CCM to "park" the servos.



CONTROL MODULE PIN OUT INFORMATION

Fig. 07.2

AIR CONDITIONING CONTROL MODULE

Pin	Description	Active	Inactive
I	CC28-1	COMPRESSOR CLUTCH STATUS	B+ (ON)
O	CC28-2	HEATER VALVE ACTIVE	B+
O	CC28-3	RH BLOWER MOTOR RELAY ACTIVE	0 V
O	CC28-4	LH / RH WINDSHIELD HEATER RELAYS ACTIVATE	0 V
O	CC28-5	DOOR MIRROR HEATER RELAY ACTIVATE	0 V
O	CC28-16	LH BLOWER MOTOR RELAY ACTIVATE	B+
O	CC28-17	HEATER PUMP RELAY ACTIVATE	0 V
O	CC28-18	HEATED BACKLIGHT RELAY ACTIVATE	0 V
I	CC29-7	RH BLOWER SPEED FEEDBACK	7.6 V = LOW SPEED
O	CC29-8	RH BLOWER SPEED CONTROL DRIVE SIGNAL	1.3 V = LOW SPEED
I	CC29-15	LH BLOWER SPEED FEEDBACK	7.6 V = LOW SPEED
O	CC29-16	LH BLOWER SPEED CONTROL DRIVE SIGNAL	1.3 V = LOW SPEED
O	CC30-1	AIR CONDITIONING ELECTRICAL LOAD SIGNAL	B+
I	CC31-7	LOAD INHIBIT	0 V
O	CC31-9	COMPRESSOR CLUTCH ON REQUEST	B+
I	CC31-17	REFRIGERANT 4-WAY PRESSURE SWITCH	0 V (2 – 30 BAR)

ENGINE CONTROL MODULE

Pin	Description	Active	Inactive
I	EM80-10	REFRIGERANT 4-WAY PRESSURE SWITCH HIGH PRESSURE	GROUND @ 20 BAR (290 PSI)
I	EM80-11	A/CCM COMPRESSOR CLUTCH REQUEST	B+
O	EM80-12	ELECTRICAL LOAD INHIBIT	GROUND
I	EM80-22	REFRIGERANT 4-WAY PRESSURE SWITCH HIGH PRESSURE	GROUND @ 12 BAR (174 PSI)
I	EM80-23	A/CCM ELECTRICAL LOAD REQUEST (HEATED WINDSHIELD)	B+
O	EM80-25	AIR CONDITIONING COMPRESSOR RELAY ACTIVATE	GROUND
O	EM81-04	PARALLEL (HIGH) SPEED FAN ACTIVATE	GROUND
O	EM81-05	SERIES (LOW) SPEED FAN ACTIVATE	GROUND

COMPONENTS

Component	Connector / Type / Color	Location / Access
AIR CONDITIONING COMPRESSOR CLUTCH	PI36 / 1-WAY SUMITOMO 90 A TYPE / BLACK	ENGINE COMPARTMENT / A/C COMPRESSOR
AIR CONDITIONING CONTROL MODULE	CC28 / 26-WAY MULTILOCK 47 / GREY CC29 / 16-WAY MULTILOCK 47 / GREY CC30 / 12-WAY MULTILOCK 47 / GREY CC31 / 22-WAY MULTILOCK 47 / GREY	RH SIDE OF TRANSMISSION TUNNEL / GLOVE BOX ASSEMBLY
AIR CONDITIONING CONTROL PANEL	CC27 / 12-WAY MULTILOCK 040 / BLUE	CENTER CONSOLE
BLOWER MOTOR – LH	CC32 / 15-WAY SUMITOMO 90 HYBRID / GREEN	LH SIDE FASCIA GLOVE BOX
BLOWER MOTOR – RH	CC33 / 15-WAY SUMITOMO 90 HYBRID / GREEN	RH SIDE FASCIA GLOVE BOX
DOOR MIRROR – DRIVER	DD8 / 12-WAY MULTILOCK 040 / BLACK	DRIVER DOOR
DOOR MIRROR – PASSENGER	PD8 / 12-WAY MULTILOCK 040 / BLACK	PASSENGER DOOR
ENGINE CONTROL MODULE	EM80 / 31-WAY AMP 403 / NATURAL EM81 / 24-WAY AMP 403 / NATURAL EM82 / 17-WAY AMP 403 / NATURAL EM83 / 28-WAY AMP 403 / NATURAL EM84 / 22-WAY AMP 403 / NATURAL EM85 / 12-WAY MULTILOCK 070 / WHITE	ENGINE COMPARTMENT / CONTROL MODULE ENCLOSURE
FUSE BOX – ENGINE COMPARTMENT	LF5 / 10-WAY U.T.A. FUSE BOX / NATURAL LF6 / 10-WAY U.T.A. FUSE BOX / BLACK LF7 / 10-WAY U.T.A. FUSE BOX / GREEN LF8 / 10-WAY U.T.A. FUSE BOX / BLUE ST19 / EYELET	ENGINE COMPARTMENT / LH FRONT
FUSE BOX – TRUNK	BT10 / 10-WAY U.T.A. FUSE BOX / NATURAL BT11 / 10-WAY U.T.A. FUSE BOX / BLACK BT12 / 10-WAY U.T.A. FUSE BOX / GREEN BT13 / 10-WAY U.T.A. FUSE BOX / BLUE BT64 / EYELET	TRUNK ELECTRICAL CARRIER
HEATED BACKLIGHT	CA21 / 1-WAY LUCAR POSILOK MKI / BLACK IC18 / LUCAR	INSIDE 'E' POST / 'E' POST UPPER TRIM BEHIND LEFT HAND REAR QUARTER PANEL
HEATER PUMP	EM36 / 2-WAY ECONOSEAL III LC / BLACK	ENGINE COMPARTMENT / LEFT HAND REAR
HEATER VALVE	EM40 / 2-WAY ECONOSEAL III LC / WHITE	ENGINE COMPARTMENT / LEFT HAND REAR
RADIATOR FAN CONTROL RELAY MODULE	LF31 / 8-WAY TRW / BLACK	ENGINE COMPARTMENT / ADJACENT TO LH CRUSH TUBE
RADIATOR FAN – LH	CF1 / 2-WAY REINSHAGEN / BLACK	ENGINE COMPARTMENT / BELOW LH FAN
RADIATOR FAN – RH	CF2 / 2-WAY REINSHAGEN / BLACK	ENGINE COMPARTMENT / BELOW RH FAN
REFRIGERANT 4-WAY PRESSURE SWITCH	LF26 / 6-WAY ECONOSEAL III LC / BLACK	ENGINE COMPARTMENT / ADJACENT TO LH SIDE OF RADIATOR
WINDSHIELD HEATER – LH	SH4 / 2-WAY AMP SERIES 187C / GREY	CONNECTOR ADJACENT TO HOOD LATCH
WINDSHIELD HEATER – RH	SH5 / 2-WAY AMP SERIES 187C / GREY	CONNECTOR ADJACENT TO HOOD LATCH

RELAYS

Relay	Case Color	Connector / Color	Location / Access
AIR CONDITIONING COMPRESSOR CLUTCH RELAY	BROWN	EM52 / BROWN	CONTROL MODULE ENCLOSURE RELAYS / ENGINE COMPARTMENT
BLOWER MOTOR RELAY – LH	BLACK	CA58 / BLACK	RH HEELBOARD RELAYS / HEELBOARD COVER
BLOWER MOTOR RELAY – RH	BLACK	CA58 / BLACK	RH HEELBOARD RELAYS / HEELBOARD COVER
DOOR MIRROR HEATER RELAY	BLACK	CA18 / BLACK	RH HEELBOARD RELAYS / HEELBOARD COVER
HEATED BACKLIGHT RELAY (#2)	BROWN	BUS	RELAY #2, TRUNK FUSE BOX / TRUNK
HEATER PUMP RELAY (#1)	BROWN	BUS	RELAY #1, ENGINE COMPARTMENT FUSE BOX / ENGINE COMPARTMENT
WINDSHIELD HEATER RELAY – LH	BLACK	SH2 / BLACK	FRONT BULKHEAD RELAYS / ENGINE COMPARTMENT
WINDSHIELD HEATER RELAY – RH	BLACK	SH3 / BLACK	FRONT BULKHEAD RELAYS / ENGINE COMPARTMENT

HARNESSTO-HARNESSTO CONNECTORS

Connector	Type / Color	Location / Access
BT4	54-WAY THROUGH PANEL / GREY	BELOW PARCEL SHELF / TRUNK / REAR BULKHEAD / RH SIDE
CA10	8-WAY MULTILOCK 070 / YELLOW	DRIVER 'A' POST / DOOR HARNESS GAITER
CA12	8-WAY MULTILOCK 070 / YELLOW	PASSENGER 'A' POST / DOOR HARNESS GAITER
CA19	20-WAY MULTILOCK 070 / YELLOW	LH 'A' POST CONNECTOR MOUNTING BRACKET / LOWER 'A' POST FINISHER
CA20	20-WAY MULTILOCK 070 / YELLOW	RH 'A' POST CONNECTOR MOUNTING BRACKET / LOWER 'A' POST FINISHER
EM1	12-WAY AUGAT 1.6 / BLACK	ENGINE COMPARTMENT / ADJACENT TO ABS PUMP
EM42	4-WAY YAZAKI / GREY	BULKHEAD / REAR OF ENGINE
EM51	12-WAY AUGAT 1.6 / GREY	ENGINE COMPARTMENT / ADJACENT TO ABS PUMP
EM53	20-WAY MULTILOCK 070 / WHITE	PASSENGER 'A' POST / LOWER 'A' POST FINISHER
LF3	54-WAY THROUGH PANEL CONNECTOR / GREY	LH 'A' POST / LOWER 'A' POST FINISHER
LF32	4-WAY YAZAKI / GREY	FORWARD OF LH FRONT SUSPENSION ARM
PI1	57-WAY SUMITOMO TS090 / BLACK	ENGINE COMPARTMENT / BULKHEAD / REAR OF ENGINE

GROUNDSTO

Ground	Location / Type
CA30R	EYELET (PAIR) – LH 'A' POST GROUND SCREW
CA33R	EYELET (PAIR) – RH 'A' POST GROUND SCREW
CC2L	EYELET (PAIR) – DRIVE SHAFT TUNNEL GROUND STUD – LH SIDE
EM8R	EYELET (PAIR) – EMS LH GROUND STUD
EM18L	EYELET (PAIR) – EMS BULKHEAD GROUND STUD
EM18R	EYELET (PAIR) – EMS BULKHEAD GROUND STUD
IC6	EYELET (SINGLE) – TRUNK / LH FORWARD GROUND STUD
LF10L	EYELET (PAIR) – LH FORWARD GROUND STUD
LF10R	EYELET (PAIR) – LH FORWARD GROUND STUD
LF20L	EYELET (PAIR) – RH FORWARD GROUND STUD

FOR CONTROL MODULE PIN OUT INFORMATION, UNFOLD PAGE TO LEFT.

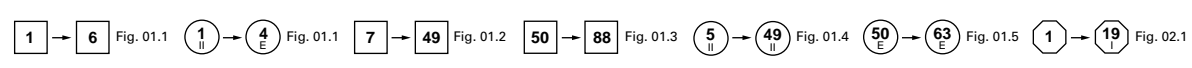
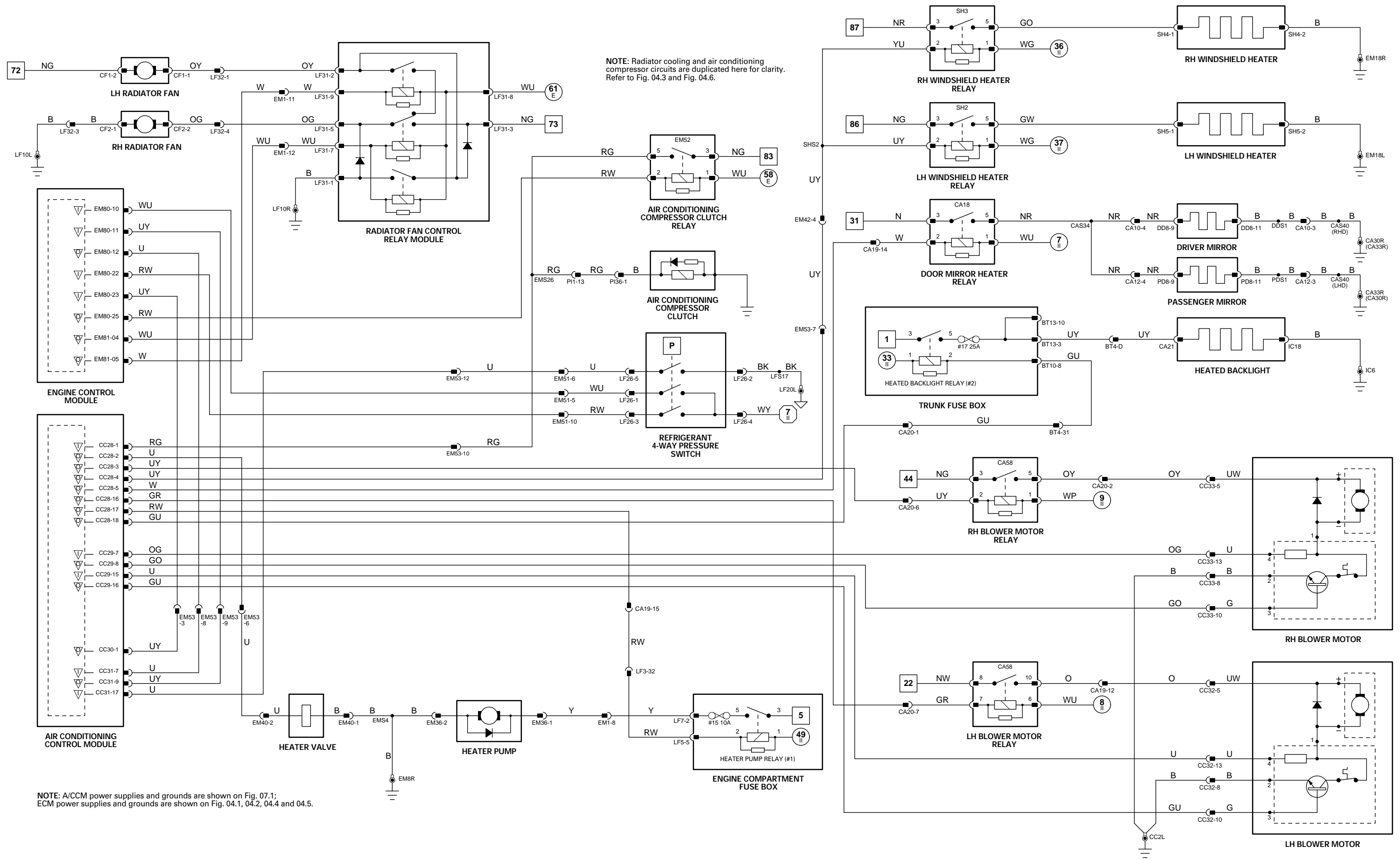
The following abbreviations are used to represent values for Control Module Pin-Out data

I	Input	SG	Sensor Ground	S	SCP Network	V	Voltage (DC)
O	Output	A	ACP Network	D	Serial and Encoded Data	Hz	Frequency
SS	Sensor Supply V	C	CAN (Network)	B+	Battery Voltage	kHz	Frequency x 1000

CAUTION: The information on this data page is furnished to aid the user in understanding circuit operation. THIS INFORMATION SHOULD BE USED FOR REFERENCE ONLY.

NOTE: The values listed are approximately those that can be expected at the control module connector pins with all circuit connections made and all components connected and fitted. "Active" means a load is applied or a switch is ON; "Inactive" means a load is not applied or a switch is OFF.

Refer to the front of this book for detailed information and illustrations regarding the location and identification of harnesses, relays, grounds, control modules and control module pins.



- Input
- Output
- Sensor Supply V
- Sensor Ground
- ACP
- CAN
- SCP
- Serial and Encoded Data

VARIANT: All Vehicles
 VIN RANGE: F20645 →
 DATE OF ISSUE: September 2000

CONTROL MODULE PIN OUT INFORMATION

INSTRUMENT PACK

Pin	Description	Active	Inactive
I	FC24-01	IGNITION SWITCHED POWER SUPPLY	B+
I	FC24-03	ADAPTIVE DAMPING WARNING	GROUND
I	FC24-04	GROUND	GROUND
I	FC24-06	ILLUMINATION SUPPLY	B+
I	FC24-07	TRIP CYCLE	GROUND (MOMENTARY)
I	FC24-08	'A/B' TRIP SELECT	GROUND (MOMENTARY)
I	FC24-09	'ML/KM' SELECT	GROUND (MOMENTARY)
C	FC24-10	CAN NETWORK	15 - 1500 Hz
C	FC24-11	CAN NETWORK	15 - 1500 Hz
S	FC24-13	SCP NETWORK	2 - 1600 Hz
S	FC24-14	SCP NETWORK	2 - 1600 Hz
I	FC24-15	BATTERY POWER SUPPLY	B+
I	FC24-16	GROUND	GROUND
I	FC24-18	'CLEAR' SELECT	GROUND (MOMENTARY)
I	FC24-19	'000' SELECT	GROUND (MOMENTARY)
C	FC24-23	CAN NETWORK	15 - 1500 Hz
C	FC24-24	CAN NETWORK	15 - 1500 Hz
O	FC24-25	GROUND REFERENCE	GROUND
O	FC25-03	ENGINE SPEED	5 V @ 1000 RPM = 45 Hz; 2000 RPM = 90 Hz
O	FC25-04	ENGINE COOLANT TEMPERATURE	6 V = 90° C
O	FC25-05	VEHICLE SPEED - A/CCM	22 Hz @ 10 MPH (16 KM/H); 44 Hz @ 20 MPH (32 KM/H) @ B+
O	FC25-06	VEHICLE SPEED - PAS	22 Hz @ 10 MPH (16 KM/H); 44 Hz @ 20 MPH (32 KM/H) @ B+
O	FC25-07	VEHICLE SPEED - ADAPTIVE DAMPING CONTROL MODULE	22 Hz @ 10 MPH (16 KM/H); 44 Hz @ 20 MPH (32 KM/H) @ B+
I	FC25-13	FUEL LEVEL GAUGE FEEDBACK	B+ = EMPTY
O	FC25-14	FUEL LEVEL GAUGE REFERENCE GROUND	GROUND
I	FC25-16	AIR BAG MIL	GROUND (ON)
I	FC25-19	LOW OIL PRESSURE WARNING	> 3 V => 3 PSI
O	FC25-20	VEHICLE SPEED	22 Hz @ 10 MPH (16 KM/H); 44 Hz @ 20 MPH (32 KM/H) @ B+
I	FC25-21	DIMMER OVERRIDE	GROUND
I	FC25-22	CHARGE WARNING	B+
I	FC25-23	LOW COOLANT WARNING	GROUND

NOTE: Refer to the Appendix at the rear of this book for CAN and SCP Network messages.

Fig. 08.1

COMPONENTS

Component	Connector / Type / Color	Location / Access
ANALOG CLOCK	FC38 / 6-WAY AMP MICRO QUAD LOCK / BLACK	CENTER AIR VENT
COOLANT LEVEL SWITCH	EM55 / 2-WAY AMP JUNIOR POWER TIMER / BROWN	ENGINE COMPARTMENT / ON COOLANT RESERVOIR
FUEL LEVEL SENSOR	BT17 / 6-WAY SUMITOMO DL090 / NATURAL	EVAPORATIVE FLANGE / TOP OF FUEL TANK
INSTRUMENT PACK	FC24 / 26-WAY AMP MICRO QUAD LOCK / BLACK FC25 / 26-WAY AMP MICRO QUAD LOCK / YELLOW	FASCIA
OIL PRESSURE SWITCH	PI40 / 1-WAY ECONOSEAL EC J2 / BLACK	ENGINE BLACK / BELOW GENERATOR
TRIP COMPUTER SWITCH PACK	FC27 / 10-WAY AMP MICRO QUAD LOCK / BLACK	FASCIA
TRIP CYCLE SWITCH (COLUMN SWITCHGEAR)	SC2 / 10-WAY MULTILOCK 070 / YELLOW	COLUMN SWITCHGEAR HARNESS / ADJACENT TO STEERING COLUMN MOTOR

HARNESS-TO-HARNESS CONNECTORS

Connector	Type / Color	Location / Access
BT4	54-WAY THROUGH PANEL / GREY	BELOW PARCEL SHELF / TRUNK / REAR BULKHEAD / RH SIDE
EM2	20-WAY MULTILOCK 070 / GREY	PASSENGER 'A' POST / LOWER 'A' POST FINISHER
FC1	54-WAY THROUGH PANEL CONNECTOR / GREY	BELOW PASSENGER SIDE AIR VENT / GLOVE BOX ASSEMBLY
PI1	57-WAY SUMITOMO TS090 / BLACK	ENGINE COMPARTMENT / BULKHEAD / REAR OF ENGINE

GROUNDS

Ground	Location / Type
EM8L	EYELET (PAIR) - EMS LH GROUND STUD
FC17L	EYELET (PAIR) - EMS BULKHEAD GROUND STUD
FC17R	EYELET (PAIR) - EMS BULKHEAD GROUND STUD
FC29R	EYELET (PAIR) - LH BULKHEAD GROUND STUD / CABIN SIDE

FOR CONTROL MODULE PIN OUT INFORMATION, UNFOLD PAGE TO LEFT.

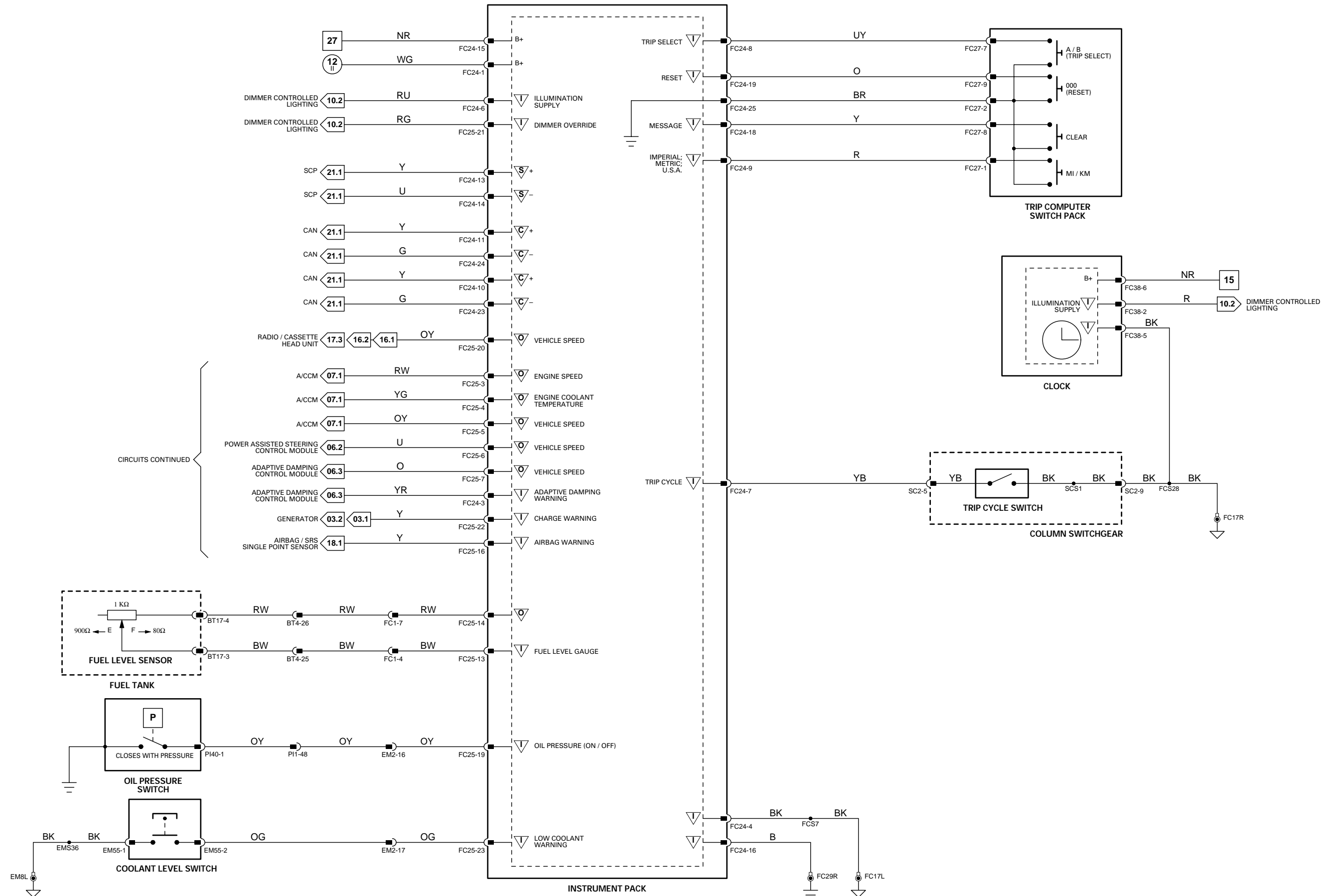
The following abbreviations are used to represent values for Control Module Pin-Out data

I	Input	SG	Sensor Ground	S	SCP Network	V	Voltage (DC)
O	Output	A	ACP Network	D	Serial and Encoded Data	Hz	Frequency
SS	Sensor Supply V	C	CAN (Network)	B+	Battery Voltage	kHz	Frequency x 1000

CAUTION: The information on this data page is furnished to aid the user in understanding circuit operation. THIS INFORMATION SHOULD BE USED FOR REFERENCE ONLY.

NOTE: The values listed are approximately those that can be expected at the control module connector pins with all circuit connections made and all components connected and fitted. "Active" means a load is applied or a switch is ON; "Inactive" means a load is not applied or a switch is OFF.

Refer to the front of this book for detailed information and illustrations regarding the location and identification of harnesses, relays, grounds, control modules and control module pins.



CIRCUITS CONTINUED

CONTROL MODULE PIN OUT INFORMATION

BODY PROCESSOR MODULE

Pin	Description	Active	Inactive
D	FC15-10	SRS AUDIBLE BACKUP	
I	FC15-15	IGNITION SWITCHED GROUND	B+
I	FC15-31	SEAT BELT SWITCH STATUS	B+ (FASTENED)
I	FC15-32	IGNITION SWITCHED GROUND	B+
I	FC15-41	STARTER ENGAGE REQUEST	B+
I	FC15-80	BATTERY SUPPLY VOLTAGE	B+
O	FC15-82	AUDIBLE WARNING SPEAKER	
O	FC15-83	AUDIBLE WARNING SPEAKER	
S	FC15-84	SCP NETWORK	
S	FC15-85	SCP NETWORK	
I	FC15-104	BATTERY SUPPLY VOLTAGE	B+

NOTE: Refer to the Appendix at the rear of this book for CAN and SCP Network messages.

Fig. 08.2

COMPONENTS

Component	Connector / Type / Color	Location / Access
AUDIBLE WARNING SPEAKER (COLUMN SWITCHGEAR)	SC7 / HARDWIRED	COLUMN SWITCHGEAR HARNESS / ADJACENT TO STEERING COLUMN MOTOR
BODY PROCESSOR MODULE	FC15 / 14-WAY AMP EEEC / GREY	BULKHEAD / BEHIND GLOVE BOX
SEAT BELT SWITCH	SD8 / 2-WAY MULTILOCK 070 / BLACK	DRIVER SEAT

HARNESS-TO-HARNESS CONNECTORS

Connector	Type / Color	Location / Access
CA23	10-WAY MULTILOCK 070 / WHITE	BELOW DRIVER SEAT
FC5	54-WAY THROUGH PANEL CONNECTOR / GREY	BELOW DRIVER SIDE AIR VENT / COIN TRAY
SC1	12-WAY MULTILOCK 070 / WHITE	COLUMN SWITCHGEAR

GROUNDS

Ground	Location / Type
CA25R	EYELET (PAIR) – PASSENGER SEAT GROUND STUD
CA26R	EYELET (PAIR) – DRIVER SEAT GROUND STUD

FOR CONTROL MODULE PIN OUT INFORMATION, UNFOLD PAGE TO LEFT.

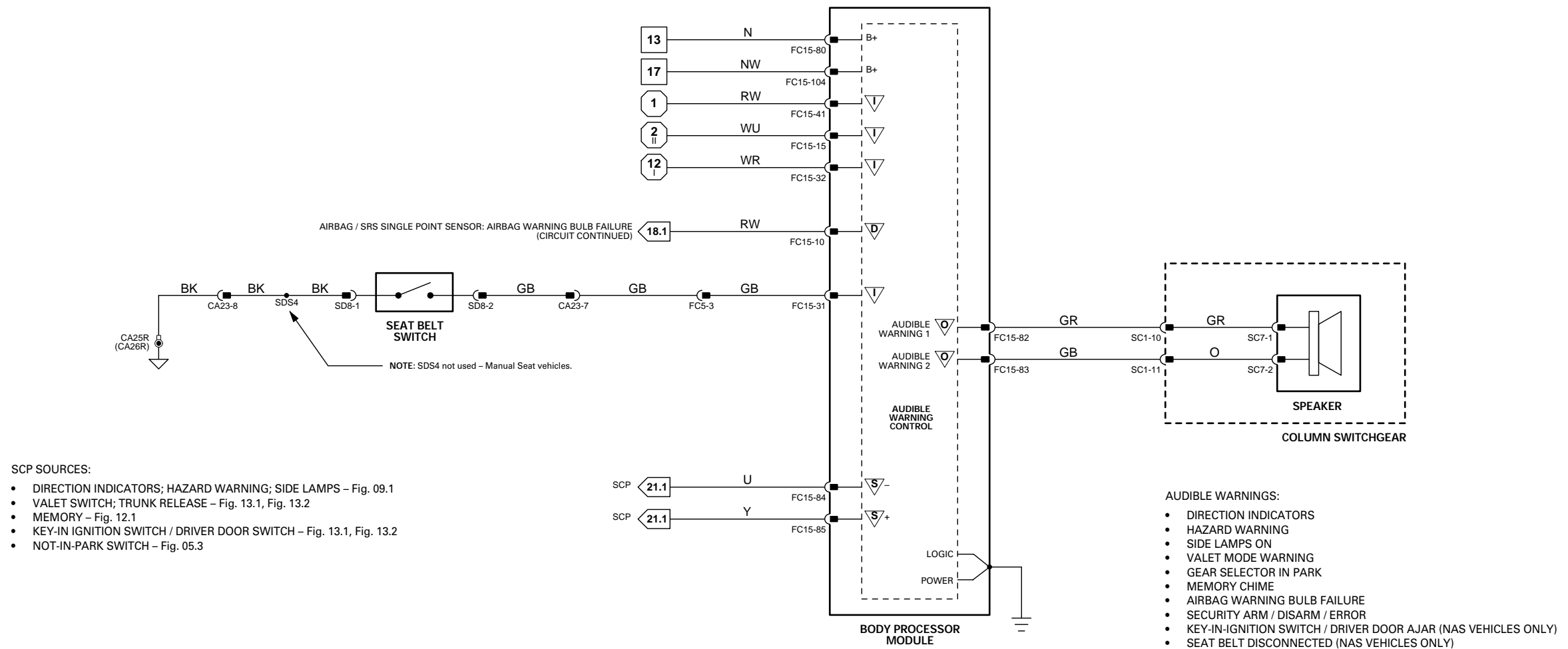
The following abbreviations are used to represent values for Control Module Pin-Out data

I	Input	SG	Sensor Ground	S	SCP Network	V	Voltage (DC)
O	Output	A	ACP Network	D	Serial and Encoded Data	Hz	Frequency
SS	Sensor Supply V	C	CAN (Network)	B+	Battery Voltage	kHz	Frequency x 1000

CAUTION: The information on this data page is furnished to aid the user in understanding circuit operation. **THIS INFORMATION SHOULD BE USED FOR REFERENCE ONLY.**

NOTE: The values listed are approximately those that can be expected at the control module connector pins with all circuit connections made and all components connected and fitted. "Active" means a load is applied or a switch is ON; "Inactive" means a load is not applied or a switch is OFF.

Refer to the front of this book for detailed information and illustrations regarding the location and identification of harnesses, relays, grounds, control modules and control module pins.



CONTROL MODULE PIN OUT INFORMATION

Fig. 09.1

BODY PROCESSOR MODULE

Pin	Description	Active	Inactive
0	FC15-1	RH FRONT SIDE LAMP SUPPLY	B+
0	FC15-2	LH FRONT DI LAMP SUPPLY	B+ (PULSED)
0	FC15-3	RH FRONT DI LAMP SUPPLY	B+ (PULSED)
I	FC15-14	HEADLAMP MAIN BEAM REQUEST	GROUND
I	FC15-15	IGNITION SWITCHED GROUND	GROUND
I	FC15-16	SIDE LAMP REQUEST	GROUND
0	FC15-20	FRONT FOG LAMP RELAY ACTIVATE	GROUND
0	FC15-27	LH SIDE DI REPEATER LAMP SUPPLY (ROW ONLY)	B+ (PULSED)
I	FC15-30	HEADLAMP FLASH REQUEST	GROUND (MOMENTARY)
I	FC15-38	FRONT FOG LAMP REQUEST	GROUND
I	FC15-41	STARTER ENGAGE REQUEST	GROUND (CRANKING)
I	FC15-42	HEADLAMP DIP REQUEST	GROUND (MOMENTARY)
0	FC15-45	MAIN BEAM RELAY ACTIVATE	GROUND
0	FC15-53	LH FRONT SIDE LAMP SUPPLY	B+
I	FC15-59	HAZARD LAMP REQUEST	GROUND (MOMENTARY)
I	FC15-61	RH DI REQUEST	GROUND
0	FC15-68	DIP BEAM RELAY ACTIVATE	GROUND
I	FC15-79	BATTERY SUPPLY VOLTAGE	B+
I	FC15-80	BATTERY SUPPLY VOLTAGE	B+
0	FC15-81	RH SIDE DI REPEATER LAMP SUPPLY (ROW ONLY)	B+ (PULSED)
S	FC15-84	SCP NETWORK	2 – 1600 Hz
S	FC15-85	SCP NETWORK	2 – 1600 Hz
I	FC15-88	LH DI REQUEST	GROUND
0	FC15-96	HAZARD LAMP STATUS	GROUND (PULSE)

INSTRUMENT PACK

Pin	Description	Active	Inactive
S	FC24-13	SCP NETWORK	2 – 1600 Hz
S	FC24-14	SCP NETWORK	2 – 1600 Hz

NOTE: Refer to the Appendix at the rear of this book for CAN and SCP Network messages.

COMPONENTS

Component	Connector / Type / Color	Location / Access
BODY PROCESSOR MODULE	FC15 / 14-WAY AMP EEEC / GREY	BULKHEAD / BEHIND GLOVE BOX
CENTER CONSOLE SWITCH PACK	CC1 / 16-WAY FORD IDC S.U. / BLACK	CENTER CONSOLE SWITCH PACK
DIRECTION INDICATOR LAMP – LH FRONT	BL2 / 2-WAY REINSHAGEN / VOLKSWAGEN / BLACK	FRONT BUMPER – LH SIDE
DIRECTION INDICATOR LAMP – RH FRONT	BR2 / 2-WAY REINSHAGEN / VOLKSWAGEN / BLACK	FRONT BUMPER – RH SIDE
FOG LAMP SWITCHES	FC3 / 10-WAY AMP MICRO QUAD LOCK / NATURAL	FASCIA / OUTBOARD OF STEERING COLUMN
FOG LAMP – LH FRONT	BL4 / 2-WAY DELPHI / PACKARD METRIPACK 280 / GREY	FRONT BUMPER – LH SIDE
FOG LAMP – RH FRONT	BR4 / 2-WAY DELPHI / PACKARD METRIPACK 280 / GREY	FRONT BUMPER – RH SIDE
LAMP UNIT – LH FRONT	LF38 / 6-WAY AUGAT 1.6 / BLACK	ENGINE COMPARTMENT / LH FRONT
LAMP UNIT – RH FRONT	LF40 / 6-WAY AUGAT 1.6 / BLACK	ENGINE COMPARTMENT / RH FRONT
FUSE BOX – ENGINE COMPARTMENT	LF5 / 10-WAY U.T.A. FUSE BOX / NATURAL LF6 / 10-WAY U.T.A. FUSE BOX / BLACK LF7 / 10-WAY U.T.A. FUSE BOX / GREEN LF8 / 10-WAY U.T.A. FUSE BOX / BLUE ST19 / EYELET	ENGINE COMPARTMENT / LH FRONT
INSTRUMENT PACK	FC24 / 26-WAY AMP MICRO QUAD LOCK / BLACK FC25 / 26-WAY AMP MICRO QUAD LOCK / YELLOW SC2 / 10-WAY MULTILOCK 070 / YELLOW	FASCIA
LIGHTING STALK (COLUMN SWITCHGEAR)	LF17 / 2-WAY AMP JUNIOR POWER TIMER / BLACK CA80 / 2-WAY AMP JUNIOR POWER TIMER / BLACK BL5 / 2-WAY REINSHAGEN / VOLKSWAGEN / BLACK BR5 / 2-WAY REINSHAGEN / VOLKSWAGEN / BLACK	COLUMN SWITCHGEAR HARNESS / ADJACENT TO STEERING COLUMN MOTOR BEHIND LEFT HAND WHEEL ARCH LINER BEHIND RIGHT HAND WHEEL ARCH LINER FRONT BUMPER – LH SIDE FRONT BUMPER – RH SIDE

RELAYS

Relay	Case Color	Connector / Color	Location / Access
DIP BEAM RELAY	BROWN	BUS	RELAY #5, ENGINE COMPARTMENT FUSE BOX / ENGINE COMPARTMENT
FRONT FOG RELAY	BROWN	BUS	RELAY #2, ENGINE COMPARTMENT FUSE BOX / ENGINE COMPARTMENT
MAIN BEAM RELAY	BROWN	BUS	RELAY #3, ENGINE COMPARTMENT FUSE BOX / ENGINE COMPARTMENT

HARNESS-TO-HARNESS CONNECTORS

Connector	Type / Color	Location / Access
BL1	4-WAY AUGAT 1.6 / BLACK	BEHIND LEFT HAND WHEEL ARCH LINER
BR1	4-WAY AUGAT 1.6 / BLACK	ADJACENT TO BOTTOM OF WASHER FLUID RESERVOIR
FC5	54-WAY THROUGH PANEL CONNECTOR / GREY	BELOW DRIVER SIDE AIR VENT / COIN TRAY
FC7	20-WAY MULTILOCK 070 / YELLOW	ABOVE DIMMER MODULE / COIN TRAY
LF3	54-WAY THROUGH PANEL CONNECTOR / GREY	LH 'A' POST / LOWER 'A' POST FINISHER
Grounds	Location / Type	
CC3L	EYELET (PAIR) – RH FRONT BULKHEAD STUD / CABIN SIDE	
CC3R	EYELET (PAIR) – RH FRONT BULKHEAD STUD / CABIN SIDE	
FC17L	EYELET (PAIR) – EMS BULKHEAD GROUND STUD	
FC17R	EYELET (PAIR) – EMS BULKHEAD GROUND STUD	
LF18L	EYELET (PAIR) – LH FORWARD GROUND STUD	
LF19R	EYELET (PAIR) – RH FORWARD GROUND STUD	

FOR CONTROL MODULE PIN OUT INFORMATION, UNFOLD PAGE TO LEFT.

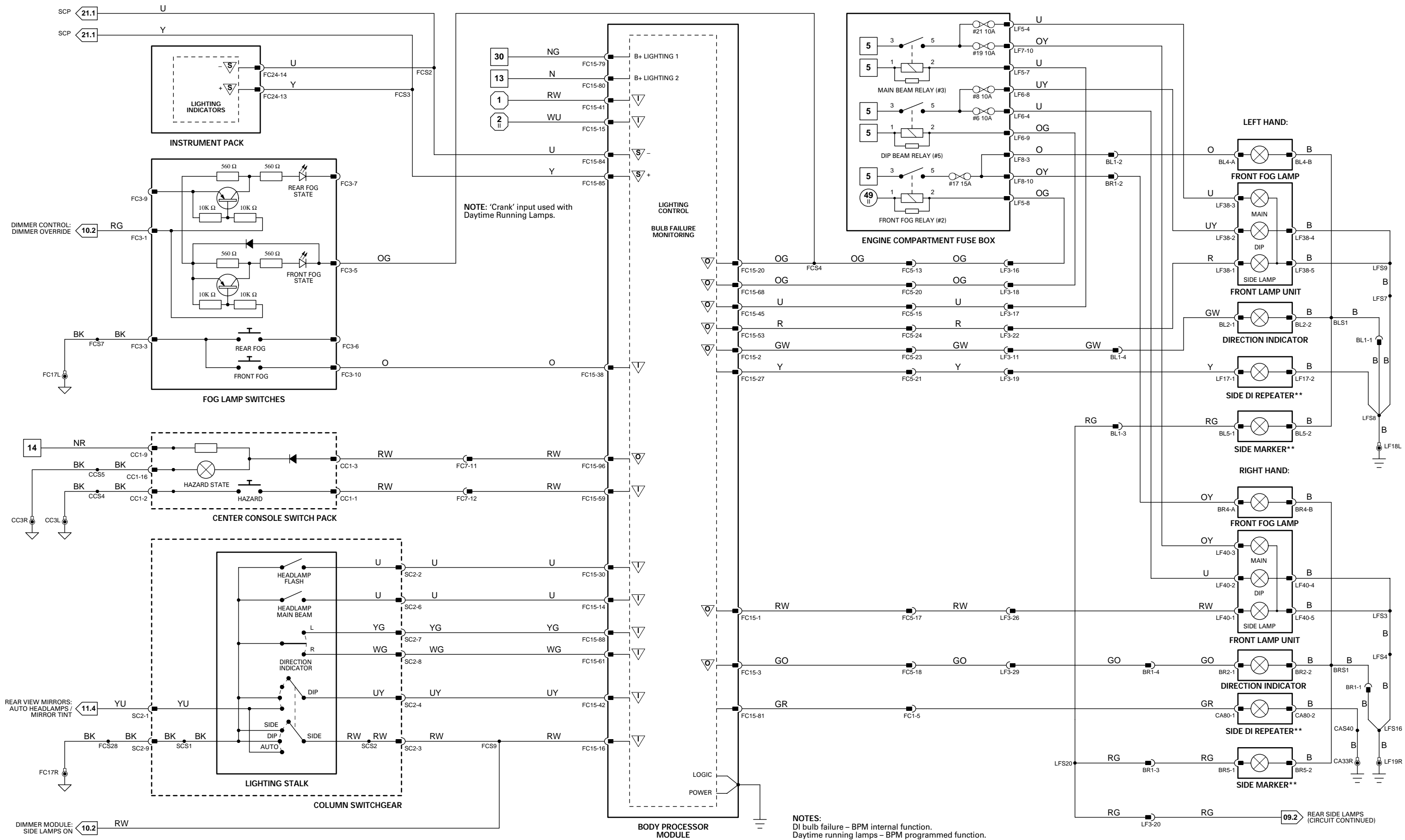
The following abbreviations are used to represent values for Control Module Pin-Out data

I Input	SG Sensor Ground	S SCP Network	V Voltage (DC)
O Output	A ACP Network	D Serial and Encoded Data	Hz Frequency
SS Sensor Supply V	C CAN (Network)	B+ Battery Voltage	kHz Frequency x 1000

CAUTION: The information on this data page is furnished to aid the user in understanding circuit operation. **THIS INFORMATION SHOULD BE USED FOR REFERENCE ONLY.**

NOTE: The values listed are approximately those that can be expected at the control module connector pins with all circuit connections made and all components connected and fitted. "Active" means a load is applied or a switch is ON; "Inactive" means a load is not applied or a switch is OFF.

Refer to the front of this book for detailed information and illustrations regarding the location and identification of harnesses, relays, grounds, control modules and control module pins.



CONTROL MODULE PIN OUT INFORMATION

BODY PROCESSOR MODULE

Pin	Description	Active	Inactive
I	FC15-12	REAR FOG LAMP REQUEST	GROUND
I	FC15-15	IGNITION SWITCHED GROUND	GROUND
I	FC15-16	SIDE LAMP REQUEST	GROUND
O	FC15-28	RH TAIL LAMP SUPPLY	B+
I	FC15-41	STARTER ENGAGE REQUEST	GROUND (CRANKING)
O	FC15-44	REAR FOG LAMP STATUS	GROUND
O	FC15-49	TRAILER RH DI LAMP SUPPLY	B+ (PULSED)
O	FC15-50	LH DI LAMP SUPPLY	B+ (PULSED)
O	FC15-54	LH TAIL LAMP SUPPLY	B+
I	FC15-59	HAZARD LAMP REQUEST	GROUND (MOMENTARY)
I	FC15-61	RH DI REQUEST	GROUND
O	FC15-75	TRAILER LH DI LAMP SUPPLY	B+ (PULSED)
O	FC15-76	RH DI LAMP SUPPLY	B+ (PULSED)
I	FC15-79	BATTERY SUPPLY VOLTAGE	B+
I	FC15-80	BATTERY SUPPLY VOLTAGE	B+
S	FC15-84	SCP NETWORK	2 – 1600 Hz
S	FC15-85	SCP NETWORK	2 – 1600 Hz
I	FC15-88	LH DI REQUEST	GROUND
O	FC15-95	SIDE MARKER & NUMBER PLATE LAMP RELAY ACTIVATE	GROUND
O	FC15-96	HAZARD LAMP STATUS	GROUND (PULSE)
I	FC15-104	BATTERY SUPPLY VOLTAGE	B+

INSTRUMENT PACK

Pin	Description	Active	Inactive
C	FC24-11	CAN NETWORK	15 – 1500 Hz
S	FC24-13	SCP NETWORK	2 – 1600 Hz
S	FC24-14	SCP NETWORK	2 – 1600 Hz
C	FC24-24	CAN NETWORK	15 – 1500 Hz

SECURITY AND LOCKING CONTROL MODULE

Pin	Description	Active	Inactive
O	BT1-3	RH STOP LAMP SUPPLY	B+
O	BT1-4	REAR FOG LAMP SUPPLY	B+
O	BT1-5	REVERSE LAMP SUPPLY	B+
I	BT1-6	BATTERY SUPPLY	B+
O	BT1-7	SPLIT CHARGE CONTROL	
S	BT1-8	SCP NETWORK	2 – 1600 Hz
O	BT1-9	LH STOP LAMP SUPPLY	B+
I	BT1-13	LOGIC GROUND	GROUND
I	BT1-14	LOGIC GROUND	GROUND
S	BT1-16	SCP NETWORK	2 – 1600 Hz
I	BT2-1	BRAKE SWITCH STATUS	GROUND (BRAKE ON)
I	BT2-6	TRAILER CONNECTION STATUS	GROUND (TRAILER PRESENT)

NOTE: Refer to the Appendix at the rear of this book for CAN and SCP Network messages.

The following abbreviations are used to represent values for Control Module Pin-Out data

I	Input	SG	Sensor Ground	S	SCP Network	V	Voltage (DC)
O	Output	A	ACP Network	D	Serial and Encoded Data	Hz	Frequency
SS	Sensor Supply V	C	CAN (Network)	B+	Battery Voltage	kHz	Frequency x 1000

CAUTION: The information on this data page is furnished to aid the user in understanding circuit operation. THIS INFORMATION SHOULD BE USED FOR REFERENCE ONLY.

NOTE: The values listed are approximately those that can be expected at the control module connector pins with all circuit connections made and all components connected and fitted. "Active" means a load is applied or a switch is ON; "Inactive" means a load is not applied or a switch is OFF.

Fig. 09.2

COMPONENTS

Component	Connector / Type / Color	Location / Access
BODY PROCESSOR MODULE	FC15 / 14-WAY AMP EEEC / GREY	BULKHEAD / BEHIND GLOVE BOX
BRAKE SWITCH	CC40 / 4-WAY MULTILOCK 070 / WHITE	ADJACENT TO THE BRAKE PEDAL MOUNTING ASSEMBLY
CENTER CONSOLE SWITCH PACK	CC1 / 16-WAY FORD IDC S.U. / BLACK	CENTER CONSOLE SWITCH PACK
DIODE (BT40) – NUMBER PLATE	BT40 / 2-WAY DIODE MODULE ASSEMBLY	ADJACENT TO BATTERY / BATTERY COVER
FOG LAMP SWITCHES	FC3 / 10-WAY AMP MICRO QUAD LOCK / NATURAL	FASCIA / OUTBOARD OF STEERING COLUMN
FUSE BOX – TRUNK	BT10 / 10-WAY U.T.A. FUSE BOX / NATURAL BT11 / 10-WAY U.T.A. FUSE BOX / BLACK BT12 / 10-WAY U.T.A. FUSE BOX / GREEN BT13 / 10-WAY U.T.A. FUSE BOX / BLUE BT64 / EYELET	TRUNK ELECTRICAL CARRIER
HIGH MOUNTED STOP LAMP	CA35 / 2-WAY YAZAKI / NATURAL	BACKLIGHT
INSTRUMENT PACK	FC24 / 26-WAY AMP MICRO QUAD LOCK / BLACK FC25 / 26-WAY AMP MICRO QUAD LOCK / YELLOW SC2 / 10-WAY MULTILOCK 070 / YELLOW	FASCIA
LIGHTING STALK (COLUMN SWITCHGEAR)		COLUMN SWITCHGEAR HARNESS / ADJACENT TO STEERING COLUMN MOTOR
NUMBER PLATE LAMP – LH	BT27 / 2-WAY AMP POSILOCK II / BLACK	BEHIND TRUNK LID LINER
NUMBER PLATE LAMP – RH	BT26 / 2-WAY AMP POSILOCK II / BLACK	BEHIND TRUNK LID LINER
REAR SIDE MARKER – LH (NAS ONLY)	BT29 / 2-WAY REINSHAGEN / VOLKSWAGEN / BLACK	TRUNK LH SIDE / TRUNK CARPET
REAR SIDE MARKER – RH (NAS ONLY)	BT31 / 2-WAY REINSHAGEN / VOLKSWAGEN / BLACK	TRUNK RH SIDE / TRUNK CARPET
SECURITY AND LOCKING CONTROL MODULE	BT1 / 16-WAY FORD 2.8 TIMER / BLACK BT2 / 26-WAY FORD IDC / BLACK BT6 / 2-WAY MINI UHF / METALLIC	BELOW TRUNK FUSE BOX
TAIL LAMP UNIT – LH	BT51 / 7-WAY FRAM – FORD 2.8 TIMER / BLACK	TRUNK LH SIDE / REAR LAMP COVER
TAIL LAMP UNIT – RH	BT50 / 7-WAY FRAM – FORD 2.8 TIMER / BLACK	TRUNK RH SIDE / REAR LAMP COVER
TRAILER CONNECTOR	BT32 / 14-WAY MULTILOCK 070 / YELLOW	ABOVE TRUNK FUSE BOX

RELAYS

Relay	Case Color	Connector / Color	Location / Access
STOP LAMP RELAY	BROWN	BUS	RELAY #5, TRUNK FUSE BOX / TRUNK
SIDE MARKER AND NUMBER PLATE LAMP RELAY	BROWN	BUS	RELAY #3, TRUNK FUSE BOX / TRUNK

HARNESS-TO-HARNESS CONNECTORS

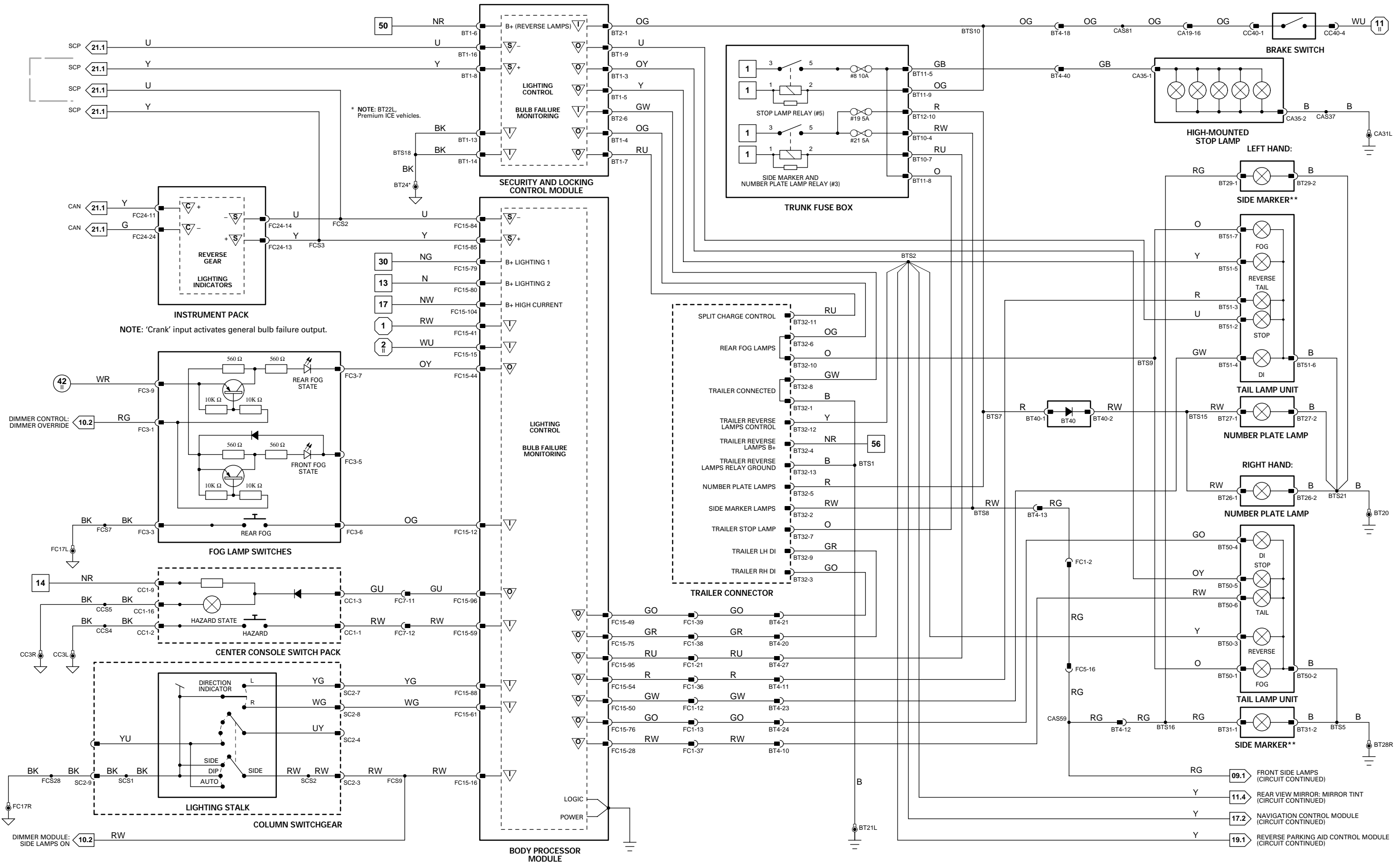
Connector	Type / Color	Location / Access
BT4	54-WAY THROUGH PANEL / GREY	BELOW PARCEL SHELF / TRUNK / REAR BULKHEAD / RH SIDE
CA19	20-WAY MULTILOCK 070 / YELLOW	LH 'A' POST CONNECTOR MOUNTING BRACKET / LOWER 'A' POST FINISHER
FC1	54-WAY THROUGH PANEL CONNECTOR / GREY	BELOW PASSENGER SIDE AIR VENT / GLOVE BOX ASSEMBLY
FC5	54-WAY THROUGH PANEL CONNECTOR / GREY	BELOW DRIVER SIDE AIR VENT / COIN TRAY
FC7	20-WAY MULTILOCK 070 / YELLOW	ABOVE DIMMER MODULE / COIN TRAY

GROUND

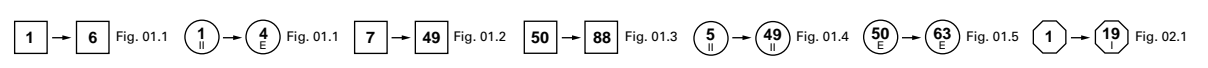
Ground	Location / Type
BT20	EYELET (SINGLE) – TRUNK / RH REAR GROUND STUD
BT21L	EYELET (PAIR) – TRUNK / RH REAR GROUND STUD
BT22L*	EYELET (PAIR) – TRUNK / RH CENTER GROUND STUD (*PREMIUM ICE)
BT24*	EYELET (SINGLE) – TRUNK / RH CENTER GROUND STUD (*STANDARD ICE)
CA31L	EYELET (PAIR) – RH DRIVE SHAFT TUNNEL GROUND STUD
CC3L	EYELET (PAIR) – RH FRONT BULKHEAD STUD / CABIN SIDE
CC3R	EYELET (PAIR) – RH FRONT BULKHEAD STUD / CABIN SIDE
FC17L	EYELET (PAIR) – EMS BULKHEAD GROUND STUD
FC17R	EYELET (PAIR) – EMS BULKHEAD GROUND STUD

FOR CONTROL MODULE PIN OUT INFORMATION, UNFOLD PAGE TO LEFT.

Refer to the front of this book for detailed information and illustrations regarding the location and identification of harnesses, relays, grounds, control modules and control module pins.



** NOTE: Side Marker Lamps - NAS only.



VARIANT: All Vehicles
VIN RANGE: F20645 →
DATE OF ISSUE: September 2000

Fig. 09.3**COMPONENTS****Component**

HEADLAMP LEVELING ACTUATOR – LH
HEADLAMP LEVELING ACTUATOR – RH
HEADLAMP LEVELING SWITCH
(FASCIA SWITCH PACK)

Connector / Type / Color

LF41 / 3-WAY REINSHAGEN / BLACK
LF42 / 3-WAY REINSHAGEN / BLACK
FC14 / 6-WAY JAE IL-AG5 / GREEN

Location / Access

ENGINE COMPARTMENT / LH HEADLAMP
ENGINE COMPARTMENT / RH HEADLAMP
FASCIA SWITCH PACK

HARNESSTO-HARNESSTO CONNECTORS**Connector**

FC5
LF3

Type / Color

54-WAY THROUGH PANEL CONNECTOR / GREY
54-WAY THROUGH PANEL CONNECTOR / GREY

Location / Access

BELOW DRIVER SIDE AIR VENT / COIN TRAY
LH 'A' POST / LOWER 'A' POST FINISHER

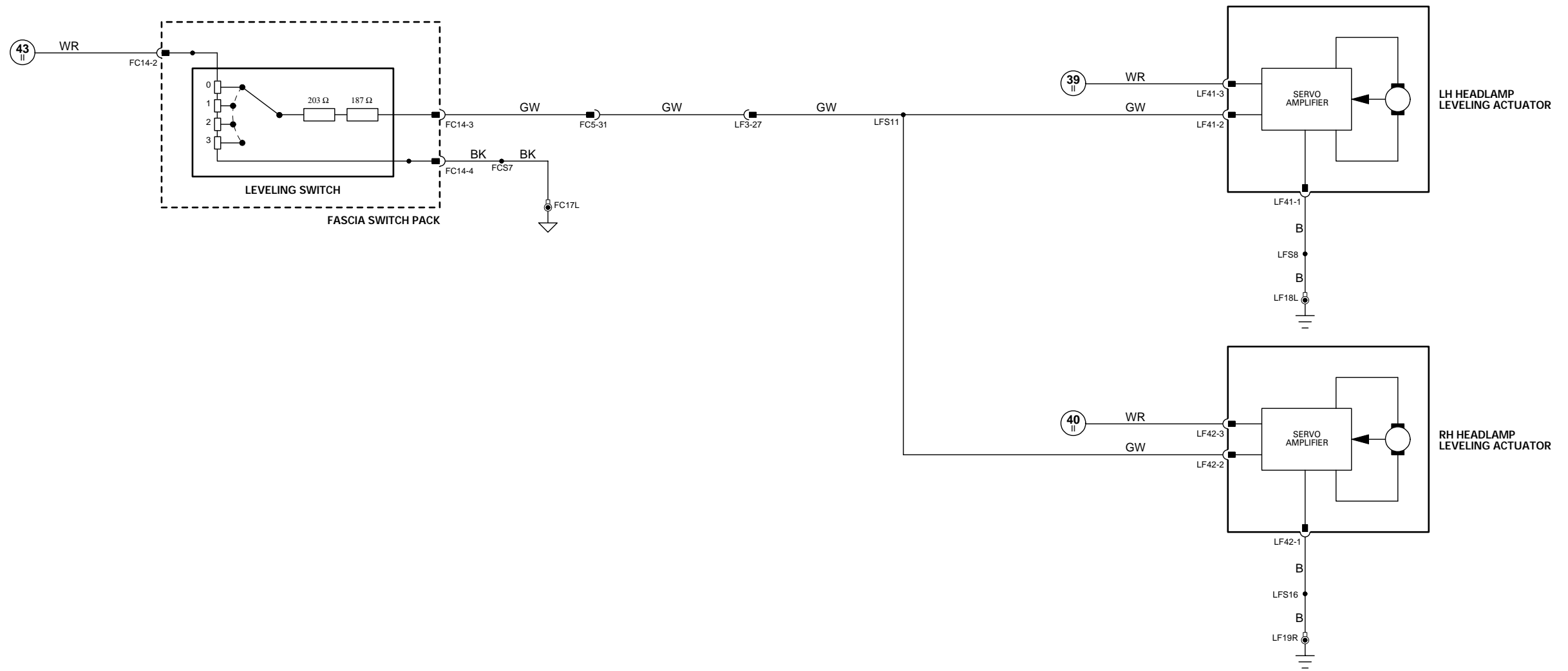
GROUNDSTO**Ground**

FC17L
LF18L
LF19R

Location / Type

EYELET (PAIR) – EMS BULKHEAD GROUND STUD
EYELET (PAIR) – LH FORWARD GROUND STUD
EYELET (PAIR) – RH FORWARD GROUND STUD

Refer to the front of this book for detailed information and illustrations regarding the location and identification of harnesses, relays, grounds, control modules and control module pins.



CONTROL MODULE PIN OUT INFORMATION

DRIVER DOOR CONTROL MODULE

Pin	Description	Active	Inactive
I DD10-1	BATTERY POWER SUPPLY	B+	B+
I DD10-8	LOGIC GROUND	GROUND	GROUND
S DD10-9	SCP NETWORK	2 – 1600 Hz	GROUND
O DD10-14	DRIVER DOOR PUDDLE LAMP SUPPLY	B+	GROUND
S DD10-16	SCP NETWORK	2 – 1600 Hz	GROUND
I DD10-17	POWER GROUND	GROUND	GROUND
I DD11-4	DRIVER DOOR LOCK BARREL UNLOCK REQUEST	B+ (MOMENTARY)	GROUND
I DD11-12	DRIVER DOOR LOCK BARREL LOCK REQUEST	B+ (MOMENTARY)	GROUND
I DD11-20	DRIVER DOOR SWITCH	GROUND (DOOR OPEN)	B+

DRIVER REAR DOOR CONTROL MODULE

Pin	Description	Active	Inactive
I RD10-1	BATTERY POWER SUPPLY	B+	B+
I RD10-8	LOGIC GROUND	GROUND	GROUND
S RD10-9	SCP NETWORK	2 – 1600 Hz	GROUND
O RD10-14	PASSENGER DOOR PUDDLE LAMP SUPPLY	B+ (LIGHT ON)	GROUND
S RD10-16	SCP NETWORK	2 – 1600 Hz	GROUND
I RD10-17	POWER GROUND	GROUND	GROUND
I RD11-20	DRIVER REAR DOOR SWITCH	GROUND (DOOR OPEN)	B+

PASSENGER DOOR CONTROL MODULE

Pin	Description	Active	Inactive
I PD10-1	BATTERY POWER SUPPLY	B+	B+
I PD10-8	LOGIC GROUND	GROUND	GROUND
S PD10-9	SCP NETWORK	2 – 1600 Hz	GROUND
O PD10-14	PASSENGER DOOR PUDDLE LAMP SUPPLY	B+ (LIGHT ON)	GROUND
S PD10-16	SCP NETWORK	2 – 1600 Hz	GROUND
I PD10-17	POWER GROUND	GROUND	GROUND
I PD11-20	PASSENGER DOOR SWITCH	GROUND (DOOR OPEN)	B+

PASSENGER REAR DOOR CONTROL MODULE

Pin	Description	Active	Inactive
I RP10-1	BATTERY POWER SUPPLY	B+	B+
I RP10-8	LOGIC GROUND	GROUND	GROUND
S RP10-9	SCP NETWORK	2 – 1600 Hz	GROUND
O RP10-14	PASSENGER DOOR PUDDLE LAMP SUPPLY	B+ (LIGHT ON)	GROUND
S RP10-16	SCP NETWORK	2 – 1600 Hz	GROUND
I RP10-17	POWER GROUND	GROUND	GROUND
I RP11-20	PASSENGER REAR DOOR SWITCH	GROUND (DOOR OPEN)	B+

BODY PROCESSOR MODULE

Pin	Description	Active	Inactive
I FC15-15	IGNITION SWITCHED GROUND	GROUND	B+
I FC15-24	COURTESY LAMP SUPPLY	B+	GROUND
I FC15-32	IGNITION SWITCHED GROUND	GROUND	B+
I FC15-41	STARTER ENGAGE REQUEST	GROUND (CRANKING)	B+
O FC15-57	COURTESY LAMP ACTIVATE REQUEST	GROUND (MOMENTARY)	B+
I FC15-67	KEY IN IGNITION	GROUND (KEY IN)	B+ (KEY OUT)
O FC15-74	COURTESY LAMP SUPPLY	B+	GROUND
I FC15-80	BATTERY SUPPLY VOLTAGE	B+	B+
S FC15-84	SCP NETWORK	2 – 1600 Hz	B+
S FC15-85	SCP NETWORK	2 – 1600 Hz	B+
O FC15-101	ILLUMINATION BATTERY SUPPLY VOLTAGE	B+	B+
I FC15-104	BATTERY SUPPLY VOLTAGE	B+	B+

NOTE: Refer to the Appendix at the rear of this book for CAN and SCP Network messages.

The following abbreviations are used to represent values for Control Module Pin-Out data

I	Input	SG	Sensor Ground	S	SCP Network	V	Voltage (DC)
O	Output	A	ACP Network	D	Serial and Encoded Data	Hz	Frequency
SS	Sensor Supply V	C	CAN (Network)	B+	Battery Voltage	kHz	Frequency x 1000

CAUTION: The information on this data page is furnished to aid the user in understanding circuit operation. **THIS INFORMATION SHOULD BE USED FOR REFERENCE ONLY.**

NOTE: The values listed are approximately those that can be expected at the control module connector pins with all circuit connections made and all components connected and fitted. "Active" means a load is applied or a switch is ON; "Inactive" means a load is not applied or a switch is OFF.

Fig. 10.1

COMPONENTS

Component	Connector / Type / Color	Location / Access
BODY PROCESSOR MODULE	FC15 / 14-WAY AMP EEEEC / GREY	BULKHEAD / BEHIND GLOVE BOX
DOOR CONTROL MODULE – DRIVER	DD10 / 22-WAY FORD 2.8 TIMER / BLUE DD11 / 22-WAY FORD 2.8 TIMER / BLACK	DOOR CASING / TRIM PANEL
DOOR CONTROL MODULE – DRIVER REAR	RD10 / 22-WAY FORD 2.8 TIMER / BLUE RD11 / 22-WAY FORD 2.8 TIMER / BLACK	DOOR CASING / TRIM PANEL
DOOR CONTROL MODULE – PASSENGER	PD10 / 22-WAY FORD 2.8 TIMER / BLUE PD11 / 22-WAY FORD 2.8 TIMER / BLACK	DOOR CASING / TRIM PANEL
DOOR CONTROL MODULE – PASSENGER REAR	RP10 / 22-WAY FORD 2.8 TIMER / BLUE RP11 / 22-WAY FORD 2.8 TIMER / BLACK	DOOR CASING / TRIM PANEL
DOOR LOCK SWITCHES – DRIVER	DD3 / 13-WAY ECONOSEAL III LC / BLACK	DOOR CASING / TRIM PANEL
DOOR SWITCH – DRIVER	DD3 / 13-WAY ECONOSEAL III LC / BLACK	DOOR CASING / TRIM PANEL
DOOR SWITCH – DRIVER REAR	RD3 / 6-WAY ECONOSEAL III LC / BLACK	DOOR CASING / TRIM PANEL
DOOR SWITCH – PASSENGER	PD3 / 13-WAY ECONOSEAL III LC / BLACK	DOOR CASING / TRIM PANEL
DOOR SWITCH – PASSENGER REAR	RP3 / 6-WAY ECONOSEAL III LC / BLACK	DOOR CASING / TRIM PANEL
'E' POST LAMP – LH	IC4 / 4-WAY MULTILOCK 040 / BLACK	LH 'E' POST / 'E' POST TRIM
'E' POST LAMP – RH	CA5 / 4-WAY MULTILOCK 040 / BLACK	RH 'E' POST / 'E' POST TRIM
GARAGE DOOR OPENER	CA53 / 8-WAY MULTILOCK 040 / BLACK	ROOF CONSOLE
GLOVE BOX LAMP	FC33 / 1-WAY LUCAR 02 / CLEAR FC34 / 1-WAY LUCAR 02 / CLEAR	GLOVE BOX
IGNITION SWITCH (KEY-IN SWITCH)	FC4 / 8-WAY MULTILOCK 070 / WHITE	STEERING COLUMN
PUDDLE LAMP – DRIVER REAR DOOR	RD14 / 2-WAY AMP JUNIOR TIMER / BLACK	DOOR CASING / TRIM PANEL
PUDDLE LAMP – DRIVER DOOR	DD14 / 2-WAY AMP JUNIOR TIMER / BLACK	DOOR CASING / TRIM PANEL
PUDDLE LAMP – DRIVER PASSENGER	PD14 / 2-WAY AMP JUNIOR TIMER / BLACK	DOOR CASING / TRIM PANEL
PUDDLE LAMP – PASSENGER REAR DOOR	RP14 / 2-WAY AMP JUNIOR TIMER / BLACK	DOOR CASING / TRIM PANEL
TRUNK LAMP – LH	BT46 / 2-WAY AMP JUNIOR POWER TIMER / BLACK	TRUNK LH SIDE / TRUNK CARPET
TRUNK LAMP – RH	BT47 / 2-WAY AMP JUNIOR POWER TIMER / BLACK	TRUNK RH SIDE / TRUNK CARPET
TRUNK SWITCH	BT41 / 2-WAY AUGAT 1.6 / BLACK	BEHIND TRUNK LID LINER
VANITY LAMP – LH	CA69 / 2-WAY MULTILOCK 070 / WHITE	LH SUN VISOR
VANITY LAMP – RH	CA70 / 2-WAY MULTILOCK 070 / WHITE	RH SUN VISOR

HARNESS-TO-HARNESS CONNECTORS

Connector	Type / Color	Location / Access
BT4	54-WAY THROUGH PANEL / GREY	BELOW PARCEL SHELF / TRUNK / REAR BULKHEAD / RH SIDE
CA8	20-WAY MULTILOCK 070 / WHITE	DRIVER 'A' POST / DOOR HARNESS GAITER
CA10	8-WAY MULTILOCK 070 / YELLOW	DRIVER 'A' POST / DOOR HARNESS GAITER
CA11	20-WAY MULTILOCK 070 / WHITE	PASSENGER 'A' POST / DOOR HARNESS GAITER
CA12	8-WAY MULTILOCK 070 / YELLOW	PASSENGER 'A' POST / DOOR HARNESS GAITER
CA14	6-WAY MULTILOCK 070 / WHITE	DRIVER 'B/C' POST / DOOR HARNESS GAITER
CA16	6-WAY MULTILOCK 070 / WHITE	PASSENGER 'B/C' POST / DOOR HARNESS GAITER
FC1	54-WAY THROUGH PANEL CONNECTOR / GREY	BELOW PASSENGER SIDE AIR VENT / GLOVE BOX ASSEMBLY
FC5	54-WAY THROUGH PANEL CONNECTOR / GREY	BELOW DRIVER SIDE AIR VENT / COIN TRAY
IC1	14-WAY MULTILOCK 070 / WHITE	LH HEELBOARD

GROUNDS

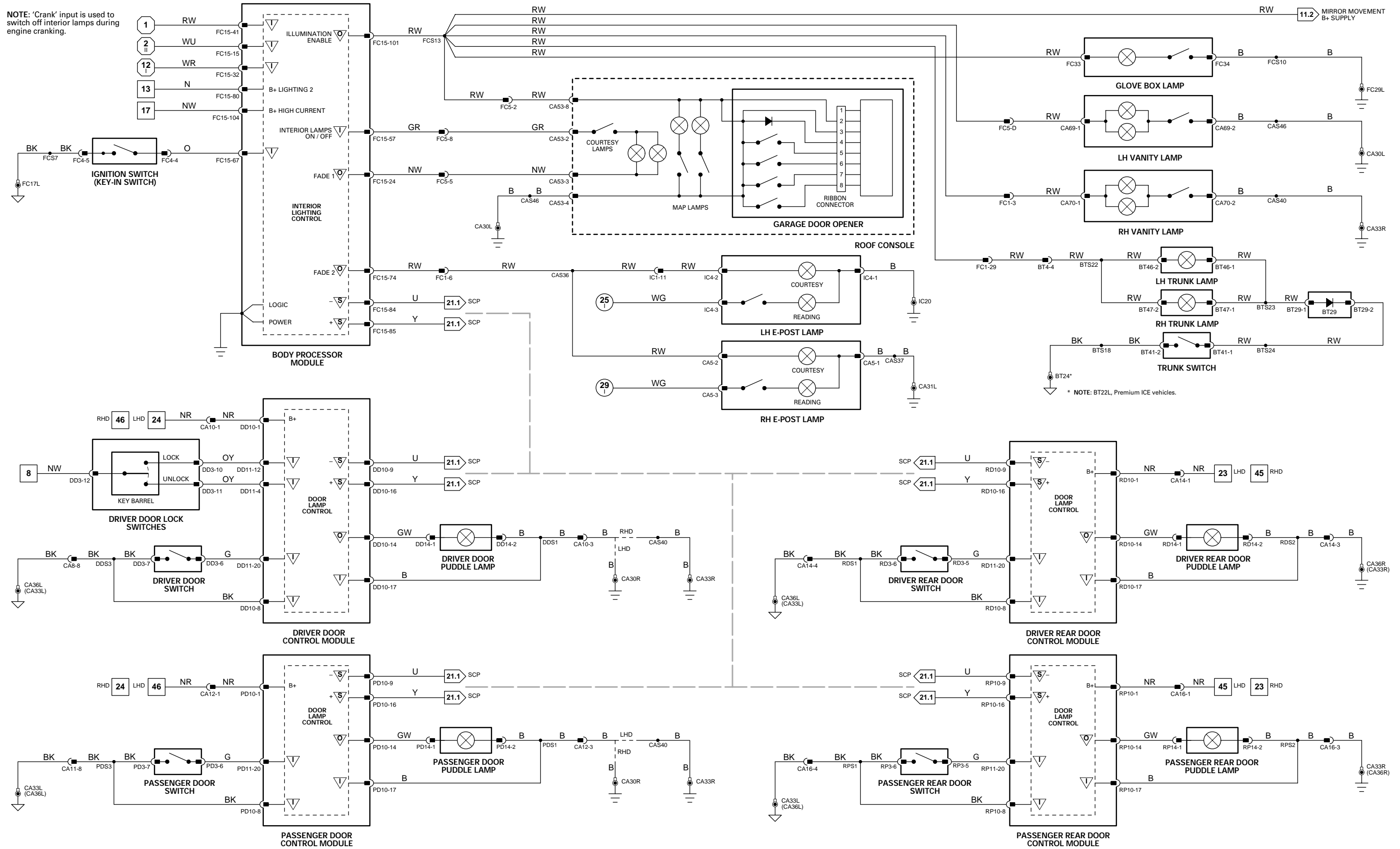
Ground	Location / Type
BT22L*	EYELET (PAIR) – TRUNK / RH CENTER GROUND STUD (*PREMIUM ICE)
BT24*	EYELET (SINGLE) – TRUNK / RH CENTER GROUND STUD (**STANDARD ICE)
CA30L	EYELET (PAIR) – LH 'A' POST GROUND SCREW
CA30R	EYELET (PAIR) – LH 'A' POST GROUND SCREW
CA31L	EYELET (PAIR) – RH DRIVE SHAFT TUNNEL GROUND STUD
CA33L	EYELET (PAIR) – RH 'A' POST GROUND SCREW
CA33R	EYELET (PAIR) – RH 'A' POST GROUND SCREW
CA36L	EYELET (PAIR) – LH 'A' POST GROUND SCREW
CA36R	EYELET (PAIR) – LH 'A' POST GROUND SCREW
FC17L	EYELET (PAIR) – EMS BULKHEAD GROUND STUD
FC29L	EYELET (PAIR) – LH BULKHEAD GROUND STUD / CABIN SIDE
IC20	EYELET (SINGLE) – TRUNK / LH FORWARD GROUND STUD

FOR CONTROL MODULE PIN OUT INFORMATION, UNFOLD PAGE TO LEFT.

Refer to the front of this book for detailed information and illustrations regarding the location and identification of harnesses, relays, grounds, control modules and control module pins.



NOTE: 'Crank' input is used to switch off interior lamps during engine cranking.



* NOTE: BT22L, Premium ICE vehicles.

CONTROL MODULE PIN OUT INFORMATION

Fig. 10.2

DIMMER MODULE

Pin	Description	Active	Inactive
0	FC23-1	INSTRUMENT PACK ILLUMINATION BULB SUPPLY	B+ (LIGHTS ON)
0	FC23-2	INSTRUMENT PACK ILLUMINATION BULB SUPPLY	B+ (LIGHTS ON)
1	FC23-3	IGNITION SWITCHED GROUND SUPPLY	GROUND
1	FC23-4	SIDE LAMPS ON REQUEST	GROUND
1	FC23-5	DIMMER POTENTIOMETER FEEDBACK VOLTAGE	1.3 V = DIM; 4 V = BRIGHT
0	FC23-6	DIMMER POTENTIOMETER REFERENCE GROUND	GROUND
0	FC23-7	GENERAL ILLUMINATION BULB SUPPLY	B+ (LIGHTS ON)
0	FC23-8	GENERAL ILLUMINATION BULB SUPPLY	B+ (LIGHTS ON)
1	FC23-9	GROUND SUPPLY	GROUND
1	FC23-10	BATTERY POWER SUPPLY	B+
1	FC23-11	BATTERY POWER SUPPLY	B+
0	FC23-12	DIMMER POTENTIOMETER REFERENCE VOLTAGE	4 V

INSTRUMENT PACK

Pin	Description	Active	Inactive
1	FC24-16	GROUND	GROUND
1	FC24-6	ILLUMINATION SUPPLY	B+
1	FC25-21	DIMMER OVERRIDE	GROUND

COMPONENTS

Component	Connector / Type / Color	Location / Access
AIR CONDITIONING CONTROL PANEL	CC27 / 12-WAY MULTILOCK 040 / BLUE	CENTER CONSOLE
CENTER CONSOLE SWITCH PACK	CC1 / 16-WAY FORD IDC S.U. / BLACK	CENTER CONSOLE SWITCH PACK
CIGAR LIGHTER - FRONT	CA74 / 3-WAY MULTILOCK 070 / WHITE	CENTER CONSOLE ASSEMBLY
CIGAR LIGHTER - REAR	CA75 / 2-WAY AMP / METALLIC	REAR CENTER CONSOLE VENT
ANALOG CLOCK	CA76 / 1-WAY LUCAR POSILOCK MKI / BLACK	
CRUISE CONTROL ON / OFF SWITCH	FC38 / 6-WAY AMP MICRO QUAD LOCK / BLACK	CENTER AIR VENT
DIMMER CONTROL	CC20 / 10-WAY AMP MICRO QUAD LOCK / NATURAL	CENTER CONSOLE ASSEMBLY
DIMMER MODULE	SC11 / 6-WAY MULTILOCK 070 / WHITE	COLUMN SWITCHGEAR
FASCIA SWITCH PACK	FC23 / 12-WAY MULTILOCK 040 / BLACK	BELOW INSTRUMENT PACK
FOG LAMP SWITCHES	FC14 / 6-WAY JAE IL-AG5 / GREEN	FASCIA SWITCH PACK
GEAR SELECTOR ILLUMINATION MODULE	FC3 / 10-WAY AMP MICRO QUAD LOCK / NATURAL	FASCIA / OUTBOARD OF STEERING COLUMN
INSTRUMENT PACK	CC14 / 10-WAY MULTILOCK 070 / WHITE	CENTER CONSOLE ASSEMBLY
	FC24 / 26-WAY AMP MICRO QUAD LOCK / BLACK	FASCIA
	FC25 / 26-WAY AMP MICRO QUAD LOCK / YELLOW	
	SC2 / 10-WAY MULTILOCK 070 / YELLOW	COLUMN SWITCHGEAR HARNESS / ADJACENT TO STEERING COLUMN MOTOR
LIGHTING STALK (COLUMN SWITCHGEAR)		CENTER CONSOLE ASSEMBLY
MODE SWITCH (TRANSMISSION)	CC4 / 10-WAY AMP MICRO QUAD LOCK / BLACK	CENTER CONSOLE
RADIO / CASSETTE HEAD UNIT	CA3 / COAXIAL CONNECTOR	
	IC10 / 20-WAY MULTILOCK 070 / WHITE	
	IC11 / 26-WAY AMP MICRO QUAD LOCK / YELLOW	
	IC19 / 8-WAY ALPINE / BLACK	
ROOF CONSOLE	CA53 / 8-WAY MULTILOCK 040 / BLACK	ROOF CONSOLE
SPLICE HEADER - CA224	CA224 / 20-WAY SUMITOMO SPLICE HEADER / GREEN	LH HEELBOARD / HEELBOARD COVER
SWITCH PACK - DRIVER DOOR	DD1 / 26-WAY AMP MICRO QUAD LOCK / YELLOW	DOOR TRIM PANEL
SWITCH PACK - DRIVER REAR DOOR	RD1 / 5-WAY JAE IL-AG5 / GREEN	DOOR TRIM PANEL
SWITCH PACK - PASSENGER DOOR	PD1 / 5-WAY JAE IL-AG5 / GREEN	DOOR TRIM PANEL
SWITCH PACK - PASSENGER REAR DOOR	RP1 / 5-WAY JAE IL-AG5 / GREEN	DOOR TRIM PANEL
TRIP COMPUTER SWITCH PACK	FC27 / 10-WAY AMP MICRO QUAD LOCK / BLACK	FASCIA

HARNESS-TO-HARNESS CONNECTORS

Connector	Type / Color	Location / Access
CA8	20-WAY MULTILOCK 070 / WHITE	DRIVER 'A' POST / DOOR HARNESS GAITER
CA11	20-WAY MULTILOCK 070 / WHITE	PASSENGER 'A' POST / DOOR HARNESS GAITER
CA14	6-WAY MULTILOCK 070 / WHITE	DRIVER 'B/C' POST / DOOR HARNESS GAITER
CA16	6-WAY MULTILOCK 070 / WHITE	PASSENGER 'B/C' POST / DOOR HARNESS GAITER
CA19	20-WAY MULTILOCK 070 / YELLOW	LH 'A' POST CONNECTOR MOUNTING BRACKET / LOWER 'A' POST FINISHER
CA27	10-WAY MULTILOCK 070 / WHITE	BELOW PASSENGER SEAT
CA45	4-WAY MULTILOCK 070 / WHITE	PASSENGER 'B/C' POST / DOOR HARNESS GAITER
CA46	4-WAY MULTILOCK 070 / WHITE	DRIVER 'B/C' POST / DOOR HARNESS GAITER
FC5	54-WAY THROUGH PANEL CONNECTOR / GREY	BELOW DRIVER SIDE AIR VENT / COIN TRAY
FC7	20-WAY MULTILOCK 070 / YELLOW	ABOVE DIMMER MODULE / COIN TRAY
SC3	12-WAY MULTILOCK 070 / GREY	ADJACENT TO STEERING COLUMN MOTOR
SP25	10-WAY MULTILOCK 070 / WHITE	BEHIND PASSENGER SEAT BACK FINISHER

GROUND

Ground	Location / Type
CA30L	EYELET (PAIR) - LH 'A' POST GROUND SCREW
CA33L	EYELET (PAIR) - RH 'A' POST GROUND SCREW
CA36L	EYELET (PAIR) - LH 'A' POST GROUND SCREW
CA47L	EYELET (PAIR) - DRIVE SHAFT TUNNEL GROUND STUD - RH SIDE
CA47R	EYELET (PAIR) - DRIVE SHAFT TUNNEL GROUND STUD - RH SIDE
CC2R	EYELET (PAIR) - DRIVE SHAFT TUNNEL GROUND STUD - LH SIDE
CC3L	EYELET (PAIR) - RH FRONT BULKHEAD STUD / CABIN SIDE
CC3R	EYELET (PAIR) - RH FRONT BULKHEAD STUD / CABIN SIDE
FC17R	EYELET (PAIR) - EMS BULKHEAD GROUND STUD
FC29L	EYELET (PAIR) - LH BULKHEAD GROUND STUD / CABIN SIDE
FC29R	EYELET (PAIR) - LH BULKHEAD GROUND STUD / CABIN SIDE
IC8	EYELET (SINGLE) - RADIO GROUND STUD / REARWARD OF GEAR SELECTOR ASSEMBLY

FOR CONTROL MODULE PIN OUT INFORMATION, UNFOLD PAGE TO LEFT.

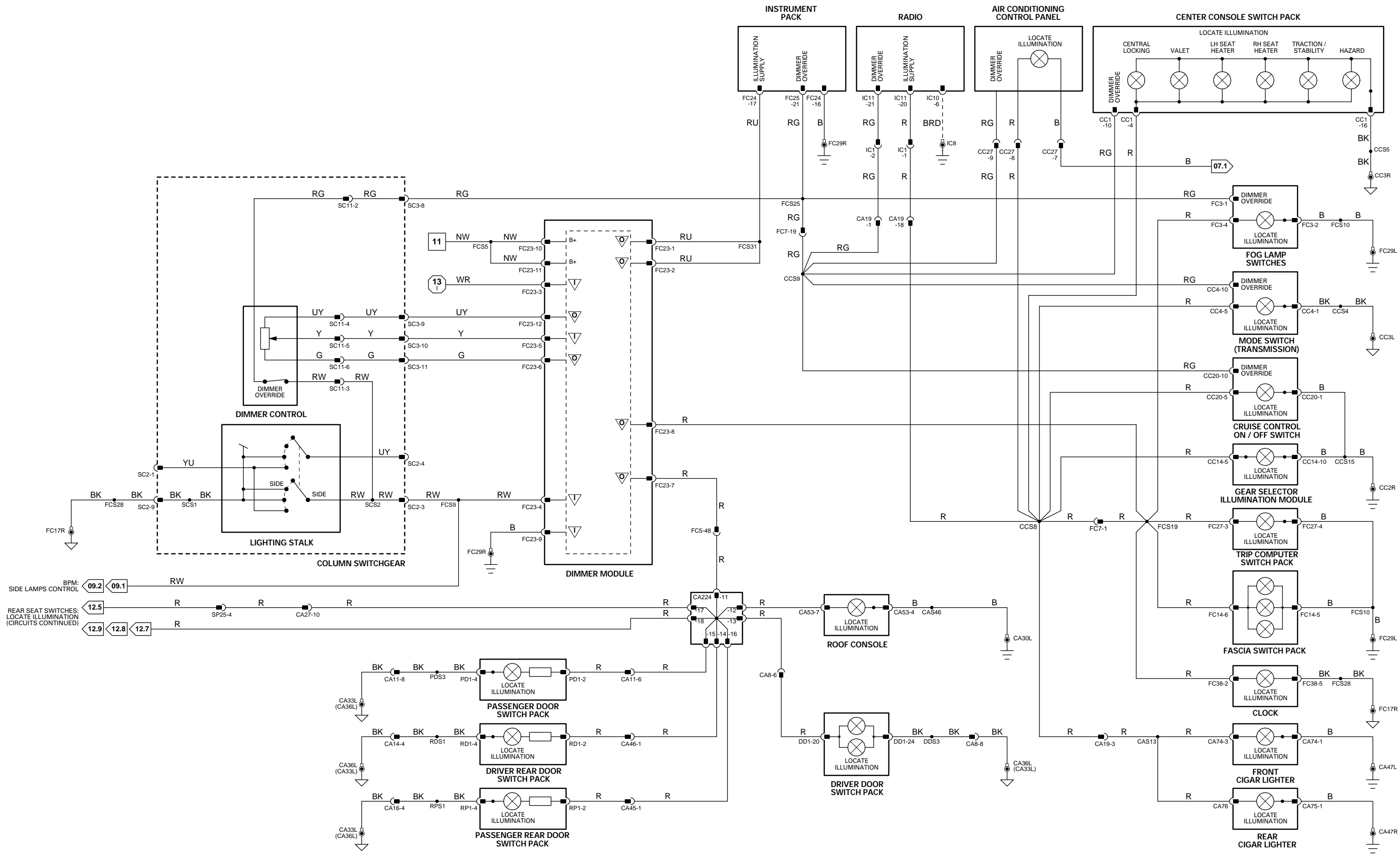
The following abbreviations are used to represent values for Control Module Pin-Out data

I	Input	SG	Sensor Ground	S	SCP Network	V	Voltage (DC)
O	Output	A	ACP Network	D	Serial and Encoded Data	Hz	Frequency
SS	Sensor Supply V	C	CAN (Network)	B+	Battery Voltage	kHz	Frequency x 1000

CAUTION: The information on this data page is furnished to aid the user in understanding circuit operation. THIS INFORMATION SHOULD BE USED FOR REFERENCE ONLY.

NOTE: The values listed are approximately those that can be expected at the control module connector pins with all circuit connections made and all components connected and fitted. "Active" means a load is applied or a switch is ON; "Inactive" means a load is not applied or a switch is OFF.

Refer to the front of this book for detailed information and illustrations regarding the location and identification of harnesses, relays, grounds, control modules and control module pins.



1 → 6 Fig. 01.1 1 → 4 Fig. 01.1 7 → 49 Fig. 01.2 50 → 88 Fig. 01.3 5 → 49 Fig. 01.4 50 → 63 Fig. 01.5 1 → 19 Fig. 02.1

▽ Input + Sensor Supply V ▽ ACP ▽ SCP
 ▽ Output - Sensor Ground ▽ CAN ▽ Serial and Encoded Data

VARIANT: All Vehicles
 VIN RANGE: F20645 →
 DATE OF ISSUE: September 2000

CONTROL MODULE PIN OUT INFORMATION

BODY PROCESSOR MODULE

Pin	Description	Active	Inactive
I	FC15-11	AUTO TILT REQUEST	GROUND
I	FC15-15	IGNITION SWITCHED GROUND	GROUND
I	FC15-25	GROUND SUPPLY	GROUND
I	FC15-32	IGNITION SWITCHED GROUND	GROUND
O	FC15-40	COLUMN MOTOR POTENTIOMETER REFERENCE VOLTAGE	5V
I	FC15-41	STARTER ENGAGE REQUEST	GROUND (CRANKING)
O	FC15-52	COLUMN REACH MOTOR SUPPLY	B+
I	FC15-58	NOT IN PARK MICROSWITCH STATUS	GROUND (PARK)
I	FC15-66	COLUMN REACH MOTOR POTENTIOMETER FEEDBACK	0.5 V = OUT, 4 V = IN
I	FC15-67	KEY IN IGNITION	GROUND (KEY IN)
O	FC15-78	COLUMN REACH MOTOR SUPPLY	B+
I	FC15-80	BATTERY SUPPLY VOLTAGE	B+
S	FC15-84	SCP NETWORK	2 - 1600 Hz
S	FC15-85	SCP NETWORK	2 - 1600 Hz
I	FC15-87	COLUMN MOVEMENT REQUEST	UP = 10.1V, DOWN = 12.1V, RETRACT = 8.5V, EXTEND = 6.8V
O	FC15-90	COLUMN TILT MOTOR POTENTIOMETER REFERENCE GROUND	GROUND
O	FC15-91	COLUMN REACH MOTOR POTENTIOMETER REFERENCE GROUND	GROUND
I	FC15-93	COLUMN TILT MOTOR POTENTIOMETER FEEDBACK	UP = 4V, DOWN = 0.5V
O	FC15-99	COLUMN TILT MOTOR SUPPLY	B+
O	FC15-100	COLUMN TILT MOTOR SUPPLY	B+
I	FC15-102	BATTERY SUPPLY VOLTAGE	B+

DRIVER DOOR CONTROL MODULE

Pin	Description	Active	Inactive
I	DD10-1	BATTERY POWER SUPPLY	B+
I	DD10-8	LOGIC GROUND	GROUND
S	DD10-9	SCP NETWORK	2 - 1600 Hz
S	DD10-16	SCP NETWORK	2 - 1600 Hz
O	DD11-2	SEAT MEMORY STATUS LED	GROUND (LED ON)
I	DD11-20	DRIVER DOOR SWITCH	GROUND (DOOR OPEN)

DRIVER REAR DOOR CONTROL MODULE

Pin	Description	Active	Inactive
I	RD10-1	BATTERY POWER SUPPLY	B+
I	RD10-8	LOGIC GROUND	GROUND
S	RD10-9	SCP NETWORK	2 - 1600 Hz
S	RD10-16	SCP NETWORK	2 - 1600 Hz
I	RD10-19	MODULE IDENTIFICATION	GROUND
I	RD11-5	MEMORY 1	B+
I	RD11-7	MODULE IDENTIFICATION	GROUND
I	RD11-13	MEMORY SET	B+
I	RD11-15	MEMORY 3	B+
I	RD11-22	MEMORY 2	B+

NOTE: Refer to the Appendix at the rear of this book for CAN and SCP Network messages.

Fig. 11.1

COMPONENTS

Component	Connector / Type / Color	Location / Access
AUTO TILT SWITCH (COLUMN SWITCHGEAR)	SC9 / 8-WAY GROTE AND HARTMAN MDK / BLACK	COLUMN SWITCHGEAR
BODY PROCESSOR MODULE	FC15 / 14-WAY AMP EEEEC / GREY	BULKHEAD / BEHIND GLOVE BOX
COLUMN JOYSTICK (COLUMN SWITCHGEAR)	SC9 / 8-WAY GROTE AND HARTMAN MDK / BLACK	COLUMN SWITCHGEAR
DOOR CONTROL MODULE - DRIVER	DD10 / 22-WAY FORD 2.8 TIMER / BLUE DD11 / 22-WAY FORD 2.8 TIMER / BLACK	DOOR CASING / TRIM PANEL
DOOR CONTROL MODULE - DRIVER REAR	RD10 / 22-WAY FORD 2.8 TIMER / BLUE RD11 / 22-WAY FORD 2.8 TIMER / BLACK	DOOR CASING / TRIM PANEL
DOOR SWITCH - DRIVER	DD3 / 13-WAY ECONOSEAL III LC / BLACK	DOOR CASING / TRIM PANEL
IGNITION SWITCH (KEY-IN SWITCH)	FC4 / 8-WAY MULTILOCK 070 / WHITE	STEERING COLUMN
MEMORY SWITCHES (DRIVER DOOR SWITCH PACK)	DD1 / 26-WAY AMP MICRO QUAD LOCK / YELLOW	DOOR TRIM PANEL
NOT-IN-PARK MICROSWITCH	CC13 / 3-WAY MULTILOCK 070 / WHITE	CENTER CONSOLE ASSEMBLY
STEERING COLUMN MOTORS	FC49 / 6-WAY MULTILOCK 070 / WHITE FC50 / 8-WAY MULTILOCK 070 / YELLOW	STEERING COLUMN

HARNESS-TO-HARNESS CONNECTORS

Connector	Type / Color	Location / Access
CA8	20-WAY MULTILOCK 070 / WHITE	DRIVER 'A' POST / DOOR HARNESS GAITER
CA10	8-WAY MULTILOCK 070 / YELLOW	DRIVER 'A' POST / DOOR HARNESS GAITER
CA13	4-WAY MULTILOCK 070 / WHITE	DRIVER 'B/C' POST / DOOR HARNESS GAITER
CA14	6-WAY MULTILOCK 070 / WHITE	DRIVER 'B/C' POST / DOOR HARNESS GAITER
FC7	20-WAY MULTILOCK 070 / YELLOW	ABOVE DIMMER MODULE / COIN TRAY

GROUNDS

Ground	Location / Type
CA33L	EYELET (PAIR) - RH 'A' POST GROUND SCREW
CA36L	EYELET (PAIR) - LH 'A' POST GROUND SCREW
CC3L	EYELET (PAIR) - RH FRONT BULKHEAD STUD / CABIN SIDE
FC17L	EYELET (PAIR) - EMS BULKHEAD GROUND STUD
FC17R	EYELET (PAIR) - EMS BULKHEAD GROUND STUD
FC29L	EYELET (PAIR) - LH BULKHEAD GROUND STUD / CABIN SIDE

FOR CONTROL MODULE PIN OUT INFORMATION, UNFOLD PAGE TO LEFT.

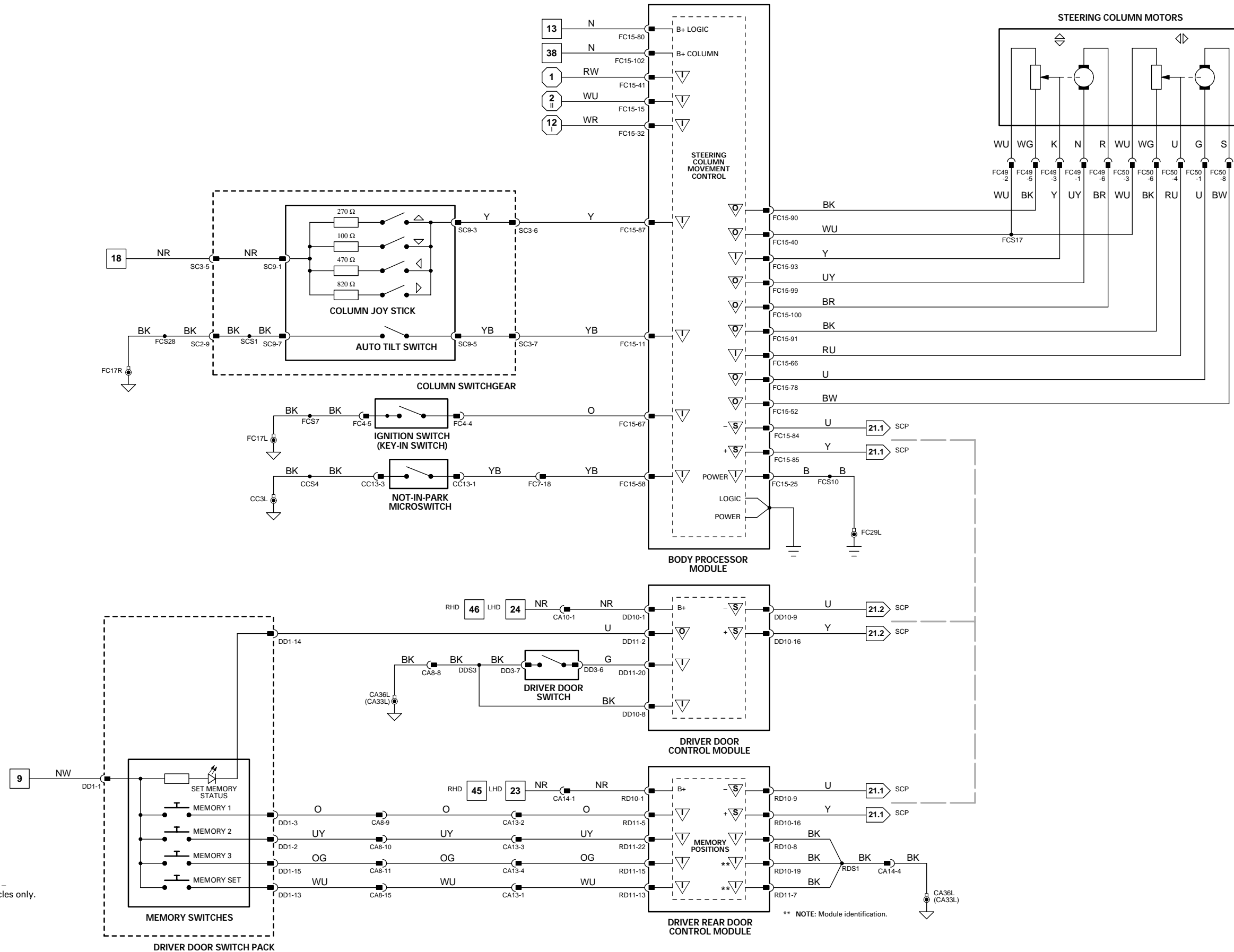
The following abbreviations are used to represent values for Control Module Pin-Out data

I	Input	SG	Sensor Ground	S	SCP Network	V	Voltage (DC)
O	Output	A	ACP Network	D	Serial and Encoded Data	Hz	Frequency
SS	Sensor Supply V	C	CAN (Network)	B+	Battery Voltage	kHz	Frequency x 1000

CAUTION: The information on this data page is furnished to aid the user in understanding circuit operation. THIS INFORMATION SHOULD BE USED FOR REFERENCE ONLY.

NOTE: The values listed are approximately those that can be expected at the control module connector pins with all circuit connections made and all components connected and fitted. "Active" means a load is applied or a switch is ON; "Inactive" means a load is not applied or a switch is OFF.

Refer to the front of this book for detailed information and illustrations regarding the location and identification of harnesses, relays, grounds, control modules and control module pins.



NOTE: Memory switches – driver memory seat vehicles only.

** NOTE: Module identification.

CONTROL MODULE PIN OUT INFORMATION

BODY PROCESSOR MODULE

Pin	Description	Active	Inactive
I FC15-15	IGNITION SWITCHED GROUND	GROUND	B+
I FC15-32	IGNITION SWITCHED GROUND	GROUND	B+
I FC15-41	STARTER ENGAGE REQUEST	GROUND (CRANKING)	B+
I FC15-58	NOT IN PARK MICROSCHWITZ STATUS	GROUND (PARK)	B+ (NOT IN PARK)
I FC15-80	BATTERY SUPPLY VOLTAGE	B+	B+
S FC15-84	SCP NETWORK	2 – 1600 Hz	
S FC15-85	SCP NETWORK	2 – 1600 Hz	
O FC15-101	ILLUMINATION BATTERY SUPPLY VOLTAGE	B+	B+

DRIVER DOOR CONTROL MODULE

Pin	Description	Active	Inactive
I DD10-1	BATTERY POWER SUPPLY	B+	
O DD10-2	DRIVER DOOR MIRROR VERTICAL / HORIZONTAL MOTOR COMMON SUPPLY	B+ = LEFT / DOWN; GROUND = RIGHT / UP	
O DD10-3	DRIVER DOOR MIRROR HORIZONTAL MOVEMENT MOTOR	B+ = RIGHT	GROUND = LEFT
O DD10-4	DRIVER DOOR MIRROR VERTICAL MOVEMENT MOTOR	B+ = UP	GROUND = DOWN
I DD10-8	LOGIC GROUND	GROUND	GROUND
S DD10-9	SCP NETWORK	2 – 1600 Hz	
S DD10-16	SCP NETWORK	2 – 1600 Hz	
I DD10-17	POWER GROUND	GROUND	GROUND
O DD10-20	DRIVER DOOR MIRROR POTENTIOMETER COMMON REFERENCE VOLTAGE	B+	B+
I DD10-21	DRIVER DOOR MIRROR POTENTIOMETER HORIZONTAL POSITION FEEDBACK	1 V = LEFT; 8 V = RIGHT	
I DD10-22	DRIVER DOOR MIRROR POTENTIOMETER VERTICAL POSITION FEEDBACK	1 V = DOWN; 8 V = UP	
I DD11-1	MIRROR COMMON GROUND	GROUND	GROUND
O DD11-2	SEAT MEMORY STATUS LED	GROUND (LED ON)	
I DD11-3	LH VERTICAL MOVEMENT REQUEST	B+ = DOWN	
I DD11-5	PASSENGER MIRROR SELECT	B+	
I DD11-9	RH VERTICAL MOVEMENT REQUEST	B+ = DOWN	
I DD11-10	LH HORIZONTAL MOVEMENT REQUEST	B+ = LEFT	
I DD11-13	DRIVER MIRROR SELECT	B+	
I DD11-17	RH HORIZONTAL MOVEMENT REQUEST	B+ = LEFT	
I DD11-20	DRIVER DOOR SWITCH	GROUND (DOOR OPEN)	B+

DRIVER REAR DOOR CONTROL MODULE

Pin	Description	Active	Inactive
I RD10-1	BATTERY POWER SUPPLY	B+	B+
I RD10-8	LOGIC GROUND	GROUND	GROUND
S RD10-9	SCP NETWORK	2 – 1600 Hz	
S RD10-16	SCP NETWORK	2 – 1600 Hz	
I RD10-19	MODULE IDENTIFICATION	GROUND	GROUND
I RD11-5	MEMORY 1	B+	GROUND
I RD11-7	MODULE IDENTIFICATION	GROUND	GROUND
I RD11-13	MEMORY SET	B+	GROUND
I RD11-15	MEMORY 3	B+	GROUND
I RD11-22	MEMORY 2	B+	GROUND

INSTRUMENT PACK

Pin	Description	Active	Inactive
C FC24-11	CAN NETWORK	15 – 1500 Hz	
S FC24-13	SCP NETWORK	2 – 1600 Hz	
S FC24-14	SCP NETWORK	2 – 1600 Hz	
C FC24-24	CAN NETWORK	15 – 1500 Hz	

PASSENGER DOOR CONTROL MODULE

Pin	Description	Active	Inactive
I PD10-1	BATTERY POWER SUPPLY	B+	B+
O PD10-2	PASSENGER DOOR MIRROR VERTICAL / HORIZONTAL MOVEMENT MOTORS COMMON	B+ = LEFT / DOWN	GROUND = RIGHT / UP
O PD10-3	PASSENGER DOOR MIRROR HORIZONTAL MOVEMENT MOTOR	B+ = RIGHT	GROUND
O PD10-4	PASSENGER DOOR MIRROR VERTICAL MOVEMENT MOTOR	B+ = UP	GROUND
I PD10-8	LOGIC GROUND	GROUND	GROUND
S PD10-9	SCP NETWORK	2 – 1600 Hz	
S PD10-16	SCP NETWORK	2 – 1600 Hz	
I PD10-17	POWER GROUND	GROUND	GROUND
O PD10-20	PASSENGER DOOR MIRROR POTENTIOMETER COMMON REFERENCE VOLTAGE	B+	B+
I PD10-21	PASSENGER DOOR MIRROR POTENTIOMETER HORIZONTAL POSITION FEEDBACK VOLTAGE	1 V = LEFT; 8 V = RIGHT	
I PD10-22	PASSENGER DOOR MIRROR POTENTIOMETER VERTICAL POSITION FEEDBACK VOLTAGE	1 V = DOWN; 8 V = UP	

NOTE: Refer to the Appendix at the rear of this book for CAN and SCP Network messages.

The following abbreviations are used to represent values for Control Module Pin-Out data

I	Input	SG	Sensor Ground	S	SCP Network	V	Voltage (DC)
O	Output	A	ACP Network	D	Serial and Encoded Data	Hz	Frequency
SS	Sensor Supply V	C	CAN (Network)	B+	Battery Voltage	kHz	Frequency x 1000

CAUTION: The information on this data page is furnished to aid the user in understanding circuit operation. THIS INFORMATION SHOULD BE USED FOR REFERENCE ONLY.

NOTE: The values listed are approximately those that can be expected at the control module connector pins with all circuit connections made and all components connected and fitted. "Active" means a load is applied or a switch is ON; "Inactive" means a load is not applied or a switch is OFF.

Fig. 11.2

COMPONENTS

Component	Connector / Type / Color	Location / Access
BODY PROCESSOR MODULE	FC15 / 14-WAY AMP EEEEC / GREY	BULKHEAD / BEHIND GLOVE BOX
DOOR CONTROL MODULE – DRIVER REAR	RD10 / 22-WAY FORD 2.8 TIMER / BLUE RD11 / 22-WAY FORD 2.8 TIMER / BLACK	DOOR CASING / TRIM PANEL
DOOR CONTROL MODULE – DRIVER	DD10 / 22-WAY FORD 2.8 TIMER / BLUE DD11 / 22-WAY FORD 2.8 TIMER / BLACK	DOOR CASING / TRIM PANEL
DOOR CONTROL MODULE – PASSENGER	PD10 / 22-WAY FORD 2.8 TIMER / BLUE PD11 / 22-WAY FORD 2.8 TIMER / BLACK	DOOR CASING / TRIM PANEL
DOOR MIRROR MOTORS – DRIVER	DD8 / 12-WAY MULTILOCK 040 / BLACK	DRIVER DOOR
DOOR MIRROR MOTORS – PASSENGER	PD8 / 12-WAY MULTILOCK 040 / BLACK	PASSENGER DOOR
DOOR SWITCH – DRIVER	DD3 / 13-WAY ECONOSEAL III LC / BLACK	DOOR CASING / TRIM PANEL
INSTRUMENT PACK	FC24 / 26-WAY AMP MICRO QUAD LOCK / BLACK FC25 / 26-WAY AMP MICRO QUAD LOCK / YELLOW DD1 / 26-WAY AMP MICRO QUAD LOCK / YELLOW	FASCIA
MEMORY SWITCHES (DRIVER DOOR SWITCH PACK)	DD1 / 26-WAY AMP MICRO QUAD LOCK / YELLOW	DOOR TRIM PANEL
MIRROR JOYSTICK (DRIVER DOOR SWITCH PACK)	DD1 / 26-WAY AMP MICRO QUAD LOCK / YELLOW	DOOR TRIM PANEL
MIRROR SELECT SWITCH (DRIVER DOOR SWITCH PACK)	DD1 / 26-WAY AMP MICRO QUAD LOCK / YELLOW	DOOR TRIM PANEL
NOT-IN-PARK MICROSCHWITZ	CC13 / 3-WAY MULTILOCK 070 / WHITE	CENTER CONSOLE ASSEMBLY

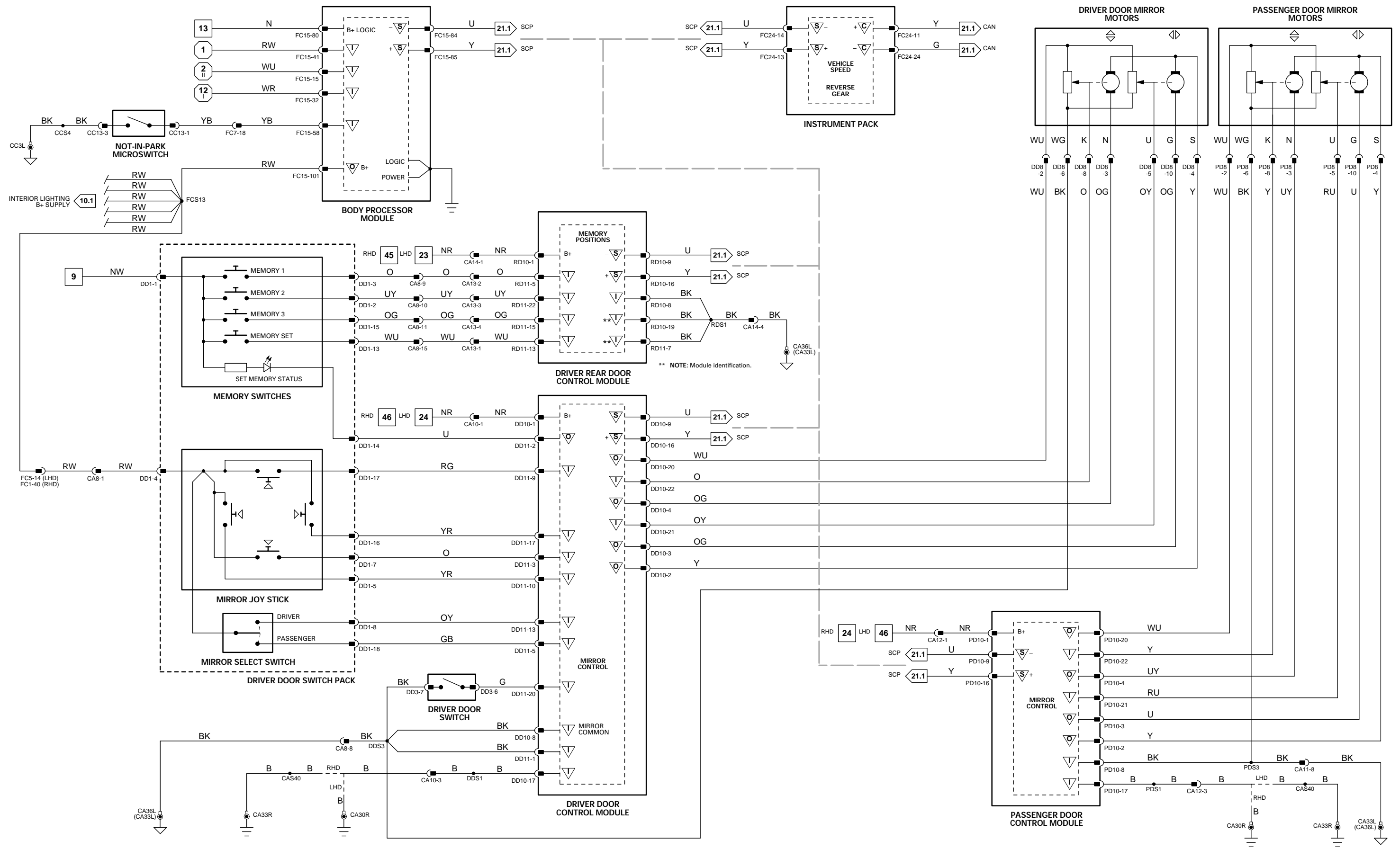
HARNESS-TO-HARNESS CONNECTORS

Connector	Type / Color	Location / Access
CA8	20-WAY MULTILOCK 070 / WHITE	DRIVER 'A' POST / DOOR HARNESS GAITER
CA10	8-WAY MULTILOCK 070 / YELLOW	DRIVER 'A' POST / DOOR HARNESS GAITER
CA11	20-WAY MULTILOCK 070 / WHITE	PASSENGER 'A' POST / DOOR HARNESS GAITER
CA12	8-WAY MULTILOCK 070 / YELLOW	PASSENGER 'A' POST / DOOR HARNESS GAITER
CA13	4-WAY MULTILOCK 070 / WHITE	DRIVER 'B/C' POST / DOOR HARNESS GAITER
CA14	6-WAY MULTILOCK 070 / WHITE	DRIVER 'B/C' POST / DOOR HARNESS GAITER
FC1	54-WAY THROUGH PANEL CONNECTOR / GREY	BELOW PASSENGER SIDE AIR VENT / GLOVE BOX ASSEMBLY
FC5	54-WAY THROUGH PANEL CONNECTOR / GREY	BELOW DRIVER SIDE AIR VENT / COIN TRAY
FC7	20-WAY MULTILOCK 070 / YELLOW	ABOVE DIMMER MODULE / COIN TRAY

GROUNDS

Ground	Location / Type
CA30R	EYELET (PAIR) – LH 'A' POST GROUND SCREW
CA33L	EYELET (PAIR) – RH 'A' POST GROUND SCREW
CA33R	EYELET (PAIR) – RH 'A' POST GROUND SCREW
CA36L	EYELET (PAIR) – LH 'A' POST GROUND SCREW
CC3L	EYELET (PAIR) – RH FRONT BULKHEAD STUD / CABIN SIDE

FOR CONTROL MODULE PIN OUT INFORMATION, UNFOLD PAGE TO LEFT.



1 → 6 Fig. 01.1
 1 → 4 Fig. 01.1
 7 → 49 Fig. 01.2
 50 → 88 Fig. 01.3
 5 → 49 Fig. 01.4
 50 → 63 Fig. 01.5
 1 → 19 Fig. 02.1

▽ Input ▽ Sensor Supply V ▽ ACP ▽ SCP
 ▽ Output ▽ Sensor Ground ▽ CAN ▽ Serial and Encoded Data

VARIANT: Memory Vehicles
VIN RANGE: F20645 →
DATE OF ISSUE: September 2000

CONTROL MODULE PIN OUT INFORMATION

BODY PROCESSOR MODULE

Pin	Description	Active	Inactive
I	FC15-15	IGNITION SWITCHED GROUND	GROUND
I	FC15-32	IGNITION SWITCHED GROUND	GROUND
I	FC15-41	STARTER ENGAGE REQUEST	GROUND (CRANKING)
I	FC15-80	BATTERY SUPPLY VOLTAGE	B+
S	FC15-84	SCP NETWORK	2 – 1600 Hz
S	FC15-85	SCP NETWORK	2 – 1600 Hz
O	FC15-101	ILLUMINATION BATTERY SUPPLY VOLTAGE	B+

DRIVER DOOR CONTROL MODULE

Pin	Description	Active	Inactive
I	DD10-1	BATTERY POWER SUPPLY	B+
O	DD10-2	DRIVER DOOR MIRROR VERTICAL / HORIZONTAL MOTOR COMMON SUPPLY	B+ = LEFT / DOWN; GROUND = RIGHT / UP
O	DD10-3	DRIVER DOOR MIRROR HORIZONTAL MOVEMENT MOTOR	B+ = RIGHT
O	DD10-4	DRIVER DOOR MIRROR VERTICAL MOVEMENT MOTOR	B+ = UP
I	DD10-8	LOGIC GROUND	GROUND
S	DD10-9	SCP NETWORK	2 – 1600 Hz
S	DD10-16	SCP NETWORK	2 – 1600 Hz
I	DD10-17	POWER GROUND	GROUND
I	DD11-1	MIRROR COMMON GROUND	GROUND
I	DD11-3	LH VERTICAL MOVEMENT REQUEST	B+ = DOWN
I	DD11-5	PASSENGER MIRROR SELECT	B+
I	DD11-9	RH VERTICAL MOVEMENT REQUEST	B+ = DOWN
I	DD11-10	LH HORIZONTAL MOVEMENT REQUEST	B+ = LEFT
I	DD11-13	DRIVER MIRROR SELECT	B+
I	DD11-17	RH HORIZONTAL MOVEMENT REQUEST	B+ = LEFT

PASSENGER DOOR CONTROL MODULE

Pin	Description	Active	Inactive
I	PD10-1	BATTERY POWER SUPPLY	B+
O	PD10-2	PASSENGER DOOR MIRROR VERTICAL / HORIZONTAL MOVEMENT MOTORS COMMON	B+ = LEFT / DOWN
O	PD10-3	PASSENGER DOOR MIRROR HORIZONTAL MOVEMENT MOTOR	B+ = RIGHT
O	PD10-4	PASSENGER DOOR MIRROR VERTICAL MOVEMENT MOTOR	B+ = UP
I	PD10-8	LOGIC GROUND	GROUND
S	PD10-9	SCP NETWORK	2 – 1600 Hz
S	PD10-16	SCP NETWORK	2 – 1600 Hz
I	PD10-17	POWER GROUND	GROUND

NOTE: Refer to the Appendix at the rear of this book for CAN and SCP Network messages.

Fig. 11.3

COMPONENTS

Component	Connector / Type / Color	Location / Access
BODY PROCESSOR MODULE	FC15 / 14-WAY AMP EEEC / GREY	BULKHEAD / BEHIND GLOVE BOX
DOOR CONTROL MODULE – DRIVER REAR	RD10 / 22-WAY FORD 2.8 TIMER / BLUE RD11 / 22-WAY FORD 2.8 TIMER / BLACK	DOOR CASING / TRIM PANEL
DOOR CONTROL MODULE – DRIVER	DD10 / 22-WAY FORD 2.8 TIMER / BLUE DD11 / 22-WAY FORD 2.8 TIMER / BLACK	DOOR CASING / TRIM PANEL
DOOR CONTROL MODULE – PASSENGER	PD10 / 22-WAY FORD 2.8 TIMER / BLUE PD11 / 22-WAY FORD 2.8 TIMER / BLACK	DOOR CASING / TRIM PANEL
DOOR MIRROR MOTORS – DRIVER	DD8 / 12-WAY MULTILOCK 040 / BLACK	DRIVER DOOR
DOOR MIRROR MOTORS – PASSENGER	PD8 / 12-WAY MULTILOCK 040 / BLACK	PASSENGER DOOR
MIRROR JOYSTICK (DRIVER DOOR SWITCH PACK)	DD1 / 26-WAY AMP MICRO QUAD LOCK / YELLOW	DOOR TRIM PANEL
MIRROR SELECT SWITCH (DRIVER DOOR SWITCH PACK)	DD1 / 26-WAY AMP MICRO QUAD LOCK / YELLOW	DOOR TRIM PANEL

HARNESSTO-HARNESSTO CONNECTORS

Connector	Type / Color	Location / Access
CA8	20-WAY MULTILOCK 070 / WHITE	DRIVER 'A' POST / DOOR HARNESS GAITER
CA10	8-WAY MULTILOCK 070 / YELLOW	DRIVER 'A' POST / DOOR HARNESS GAITER
CA11	20-WAY MULTILOCK 070 / WHITE	PASSENGER 'A' POST / DOOR HARNESS GAITER
CA12	8-WAY MULTILOCK 070 / YELLOW	PASSENGER 'A' POST / DOOR HARNESS GAITER
CA13	4-WAY MULTILOCK 070 / WHITE	DRIVER 'B/C' POST / DOOR HARNESS GAITER
CA14	6-WAY MULTILOCK 070 / WHITE	DRIVER 'B/C' POST / DOOR HARNESS GAITER
FC1	54-WAY THROUGH PANEL CONNECTOR / GREY	BELOW PASSENGER SIDE AIR VENT / GLOVE BOX ASSEMBLY
FC5	54-WAY THROUGH PANEL CONNECTOR / GREY	BELOW DRIVER SIDE AIR VENT / COIN TRAY

GROUNDS

Ground	Location / Type
CA30R	EYELET (PAIR) – LH 'A' POST GROUND SCREW
CA33L	EYELET (PAIR) – RH 'A' POST GROUND SCREW
CA33R	EYELET (PAIR) – RH 'A' POST GROUND SCREW
CA36L	EYELET (PAIR) – LH 'A' POST GROUND SCREW

FOR CONTROL MODULE PIN OUT INFORMATION, UNFOLD PAGE TO LEFT.

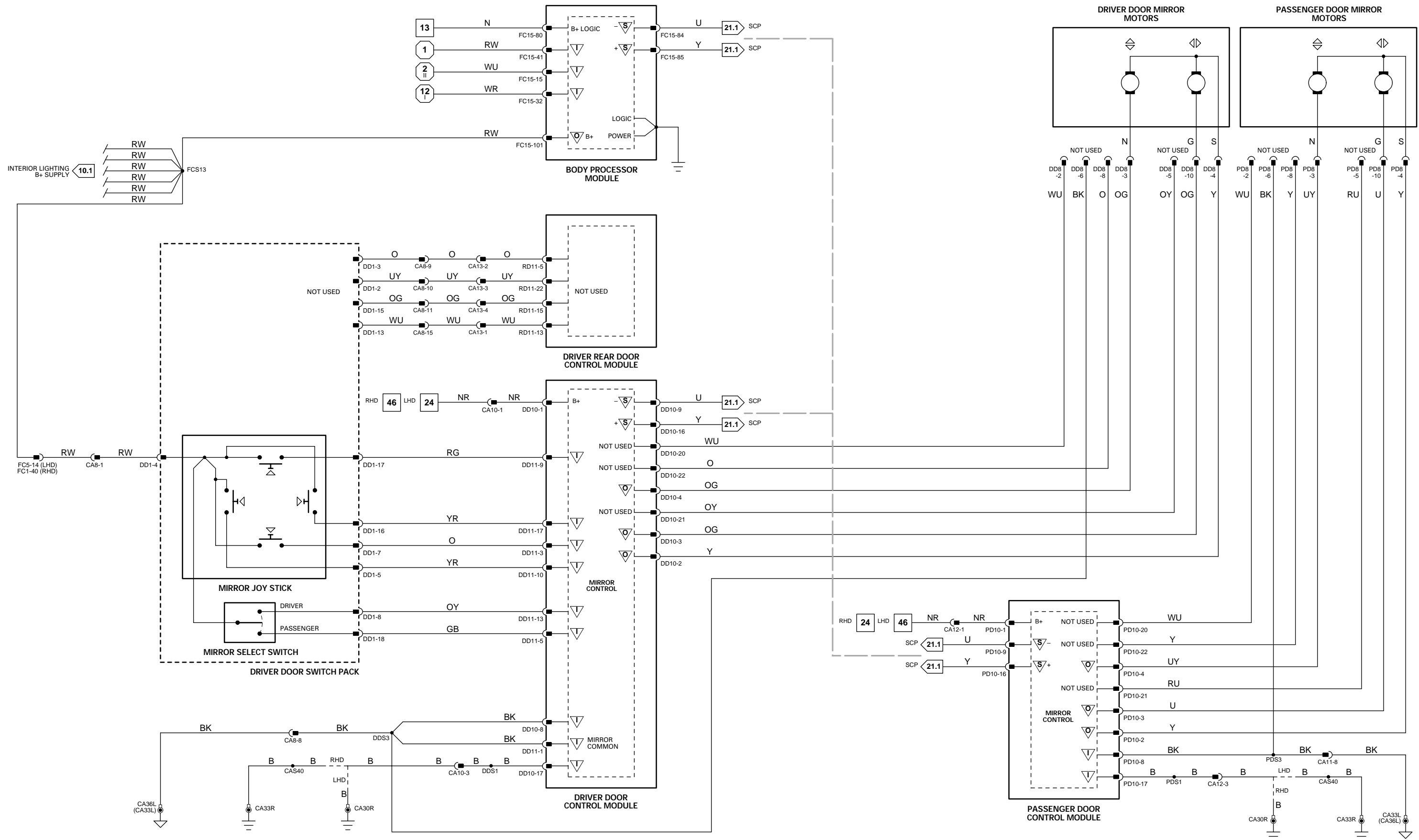
The following abbreviations are used to represent values for Control Module Pin-Out data

I	Input	SG	Sensor Ground	S	SCP Network	V	Voltage (DC)
O	Output	A	ACP Network	D	Serial and Encoded Data	Hz	Frequency
SS	Sensor Supply V	C	CAN (Network)	B+	Battery Voltage	kHz	Frequency x 1000

CAUTION: The information on this data page is furnished to aid the user in understanding circuit operation. THIS INFORMATION SHOULD BE USED FOR REFERENCE ONLY.

NOTE: The values listed are approximately those that can be expected at the control module connector pins with all circuit connections made and all components connected and fitted. "Active" means a load is applied or a switch is ON; "Inactive" means a load is not applied or a switch is OFF.

Refer to the front of this book for detailed information and illustrations regarding the location and identification of harnesses, relays, grounds, control modules and control module pins.



CONTROL MODULE PIN OUT INFORMATION

BODY PROCESSOR MODULE

Pin	Description	Active	Inactive
I	FC15-15	IGNITION SWITCHED GROUND	GROUND
I	FC15-16	SIDE LAMP REQUEST	GROUND
I	FC15-32	IGNITION SWITCHED GROUND	GROUND
I	FC15-42	HEADLAMP DIP REQUEST	GROUND (MOMENTARY)
O	FC15-72	MIRROR FOLDBACK RELAY ACTIVATE	GROUND
O	FC15-77	MIRROR FOLD OUT RELAY ACTIVATE	GROUND
I	FC15-80	BATTERY SUPPLY VOLTAGE	B+
S	FC15-84	SCP NETWORK	2 – 1600 Hz
S	FC15-85	SCP NETWORK	2 – 1600 Hz
O	FC15-101	ILLUMINATION BATTERY SUPPLY VOLTAGE	B+

DRIVER DOOR CONTROL MODULE

Pin	Description	Active	Inactive
I	DD10-1	BATTERY POWER SUPPLY	B+
I	DD10-8	LOGIC GROUND	GROUND
S	DD10-9	SCP NETWORK	2 – 1600 Hz
S	DD10-16	SCP NETWORK	2 – 1600 Hz
I	DD10-17	POWER GROUND	GROUND
I	DD11-1	MIRROR COMMON GROUND	GROUND
I	DD11-3	FOLD-BACK REQUEST	B+ = DOWN
I	DD11-5	PASSENGER MIRROR SELECT	B+
I	DD11-9	FOLD-OUT REQUEST	B+ = DOWN
I	DD11-10	LH HORIZONTAL MOVEMENT REQUEST	B+ = LEFT
I	DD11-13	DRIVER MIRROR SELECT	B+
I	DD11-17	RH HORIZONTAL MOVEMENT REQUEST	B+ = LEFT

INSTRUMENT PACK

Pin	Description	Active	Inactive
C	FC24-11	CAN NETWORK	15 – 1500 Hz
S	FC24-13	SCP NETWORK	2 – 1600 Hz
S	FC24-14	SCP NETWORK	2 – 1600 Hz
C	FC24-24	CAN NETWORK	15 – 1500 Hz

NOTE: Refer to the Appendix at the rear of this book for CAN and SCP Network messages.

Fig. 11.4

COMPONENTS

Component	Connector / Type / Color	Location / Access
BODY PROCESSOR MODULE	FC15 / 14-WAY AMP EEEEC / GREY	BULKHEAD / BEHIND GLOVE BOX
DOOR CONTROL MODULE – DRIVER	DD10 / 22-WAY FORD 2.8 TIMER / BLUE DD11 / 22-WAY FORD 2.8 TIMER / BLACK	DOOR CASING / TRIM PANEL
DOOR MIRROR – DRIVER	DD8 / 12-WAY MULTILOCK 040 / BLACK	DRIVER DOOR
DOOR MIRROR – PASSENGER	PDB / 12-WAY MULTILOCK 040 / BLACK	PASSENGER DOOR
INSTRUMENT PACK	FC24 / 26-WAY AMP MICRO QUAD LOCK / BLACK FC25 / 26-WAY AMP MICRO QUAD LOCK / YELLOW	FASCIA
INTERIOR REAR VIEW MIRROR	CA55 / 8-WAY MULTILOCK 070 / YELLOW	WINDSHIELD / IN FRONT OF ROOF CONSOLE
LIGHTING STALK (COLUMN SWITCHGEAR)	SC2 / 10-WAY MULTILOCK 070 / YELLOW	COLUMN SWITCHGEAR HARNESS / ADJACENT TO STEERING COLUMN MOTOR
MIRROR JOYSTICK (DRIVER DOOR SWITCH PACK)	DD1 / 26-WAY AMP MICRO QUAD LOCK / YELLOW	DOOR TRIM PANEL
MIRROR SELECT SWITCH (DRIVER DOOR SWITCH PACK)	DD1 / 26-WAY AMP MICRO QUAD LOCK / YELLOW	DOOR TRIM PANEL
SPLICE HEADER – CA224	CA224 / 20-WAY SUMITOMO SPLICE HEADER / GREEN	LH HEELBOARD / HEELBOARD COVER

RELAYS

Relay	Case Color	Connector / Color	Location / Access
FOLD-BACK RELAY	BLACK	CA60 / BLACK	LH HEELBOARD RELAYS / HEELBOARD COVER
FOLD-OUT RELAY	BLACK	CA60 / BLACK	LH HEELBOARD RELAYS / HEELBOARD COVER

HARNESS-TO-HARNESS CONNECTORS

Connector	Type / Color	Location / Access
BT4	54-WAY THROUGH PANEL / GREY	BELOW PARCEL SHELF / TRUNK / REAR BULKHEAD / RH SIDE
CA8	20-WAY MULTILOCK 070 / WHITE	DRIVER 'A' POST / DOOR HARNESS GAITER
CA10	8-WAY MULTILOCK 070 / YELLOW	DRIVER 'A' POST / DOOR HARNESS GAITER
CA11	20-WAY MULTILOCK 070 / WHITE	PASSENGER 'A' POST / DOOR HARNESS GAITER
FC1	54-WAY THROUGH PANEL CONNECTOR / GREY	BELOW PASSENGER SIDE AIR VENT / GLOVE BOX ASSEMBLY
FC5	54-WAY THROUGH PANEL CONNECTOR / GREY	BELOW DRIVER SIDE AIR VENT / COIN TRAY

GROUND

Ground	Location / Type
CA30R	EYELET (PAIR) – LH 'A' POST GROUND SCREW
CA33L	EYELET (PAIR) – RH 'A' POST GROUND SCREW
CA33R	EYELET (PAIR) – RH 'A' POST GROUND SCREW
CA36L	EYELET (PAIR) – LH 'A' POST GROUND SCREW
CA38R	EYELET (PAIR) – LH HEELBOARD POST GROUND SCREW
FC17R	EYELET (PAIR) – EMS BULKHEAD GROUND STUD

FOR CONTROL MODULE PIN OUT INFORMATION, UNFOLD PAGE TO LEFT.

The following abbreviations are used to represent values for Control Module Pin-Out data

I	Input	SG	Sensor Ground	S	SCP Network	V	Voltage (DC)
O	Output	A	ACP Network	D	Serial and Encoded Data	Hz	Frequency
SS	Sensor Supply V	C	CAN (Network)	B+	Battery Voltage	kHz	Frequency x 1000

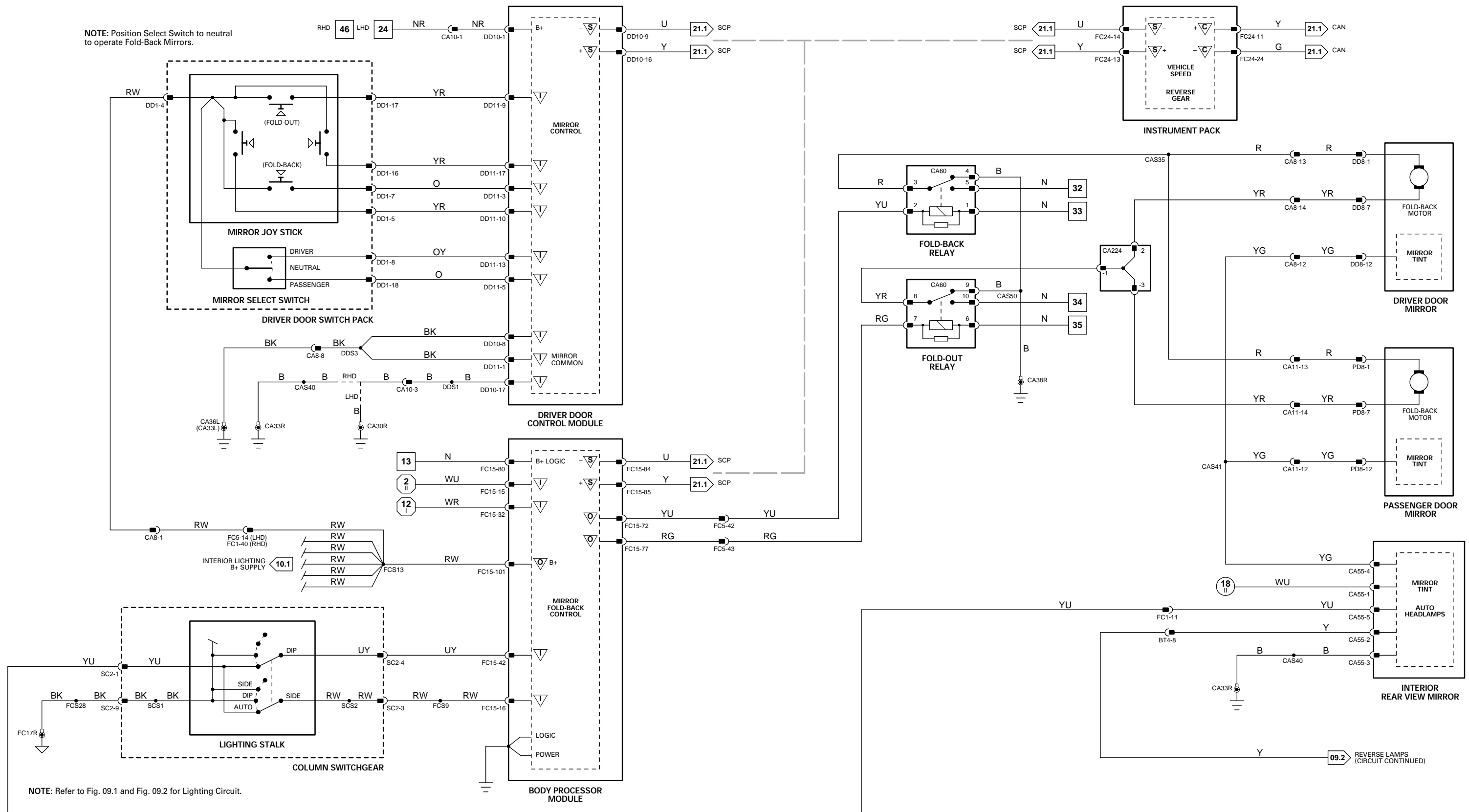
CAUTION: The information on this data page is furnished to aid the user in understanding circuit operation. THIS INFORMATION SHOULD BE USED FOR REFERENCE ONLY.

NOTE: The values listed are approximately those that can be expected at the control module connector pins with all circuit connections made and all components connected and fitted. "Active" means a load is applied or a switch is ON; "Inactive" means a load is not applied or a switch is OFF.

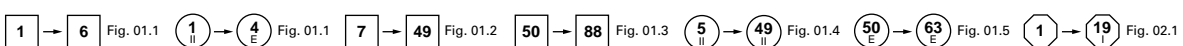
Refer to the front of this book for detailed information and illustrations regarding the location and identification of harnesses, relays, grounds, control modules and control module pins.



NOTE: Position Select Switch to neutral to operate Fold-Back Mirrors.



NOTE: Refer to Fig. 09.1 and Fig. 09.2 for Lighting Circuit.



VARIANT: All Vehicles
 VIN RANGE: F20645 →
 DATE OF ISSUE: September 2000

CONTROL MODULE PIN OUT INFORMATION

BODY PROCESSOR MODULE

Pin	Description	Active	Inactive
I FC15-15	IGNITION SWITCHED GROUND	GROUND	B+
O FC15-17	SEAT HEATER STATUS (LHD = PASSENGER, RHD = DRIVER)	GROUND	B+
I FC15-32	IGNITION SWITCHED GROUND	GROUND	B+
I FC15-35	SEAT HEATER REQUEST (LHD = PASSENGER, RHD = DRIVER)	GROUND (MOMENTARY)	B+
I FC15-41	STARTER ENGAGE REQUEST	GROUND (CRANKING)	B+
O FC15-69	SEAT HEATER STATUS (LHD = DRIVER, RHD = PASSENGER)	GROUND	B+
I FC15-80	BATTERY SUPPLY VOLTAGE	B+	B+
S FC15-84	SCP NETWORK	2 – 1600 Hz	B+
S FC15-85	SCP NETWORK	2 – 1600 Hz	B+
I FC15-86	SEAT HEATER REQUEST (LHD = DRIVER, RHD = PASSENGER)	GROUND (MOMENTARY)	B+

DRIVER DOOR CONTROL MODULE

Pin	Description	Active	Inactive
I DD10-1	BATTERY POWER SUPPLY	B+	B+
I DD10-8	LOGIC GROUND	GROUND	B+
S DD10-9	SCP NETWORK	2 – 1600 Hz	GROUND
S DD10-16	SCP NETWORK	2 – 1600 Hz	GROUND
O DD11-2	SEAT MEMORY STATUS LED	GROUND (LED ON)	B+

DRIVER REAR DOOR CONTROL MODULE

Pin	Description	Active	Inactive
I RD10-1	BATTERY POWER SUPPLY	B+	B+
I RD10-8	LOGIC GROUND	GROUND	B+
S RD10-9	SCP NETWORK	2 – 1600 Hz	GROUND
S RD10-16	SCP NETWORK	2 – 1600 Hz	GROUND
I RD10-19	MODULE IDENTIFICATION	GROUND	GROUND
I RD11-5	MEMORY 1	B+	GROUND
I RD11-7	MODULE IDENTIFICATION	GROUND	GROUND
I RD11-13	MEMORY SET	B+	GROUND
I RD11-15	MEMORY 3	B+	GROUND
I RD11-22	MEMORY 2	B+	GROUND

DRIVER SEAT CONTROL MODULE

Pin	Description	Active	Inactive
O SD1-1	DRIVER SEAT SQUAB FORE / AFT RECLINE MOTOR SUPPLY	B+	GROUND
O SD1-2	DRIVER SEAT SQUAB FORE / AFT RECLINE MOTOR SUPPLY	B+	GROUND
O SD1-3	DRIVER SEAT CUSHION RAISE / LOWER FRONT MOTOR SUPPLY	B+	GROUND
O SD1-4	DRIVER SEAT CUSHION RAISE / LOWER FRONT MOTOR SUPPLY	B+	GROUND
O SD1-5	DRIVER HEADREST RAISE / LOWER MOTOR SUPPLY	B+	GROUND
O SD1-6	DRIVER HEADREST RAISE / LOWER MOTOR SUPPLY	B+	GROUND
O SD1-7	DRIVER SEAT CUSHION FORE / AFT MOTOR SUPPLY	B+	GROUND
O SD1-8	DRIVER SEAT CUSHION FORE / AFT MOTOR SUPPLY	B+	GROUND
I SD1-9	DRIVER SEAT CUSHION FORE MOVEMENT REQUEST	B+	GROUND
I SD1-10	DRIVER SEAT CUSHION AFT MOVEMENT REQUEST	B+	GROUND
I SD1-11	DRIVER SEAT CUSHION LOWER REAR MOVEMENT REQUEST	B+	GROUND
I SD1-12	DRIVER SEAT CUSHION RAISE REAR MOVEMENT REQUEST	B+	GROUND
I SD1-13	DRIVER SEAT CUSHION RAISE FRONT MOVEMENT REQUEST	B+	GROUND
I SD1-14	DRIVER SEAT CUSHION LOWER FRONT MOVEMENT REQUEST	B+	GROUND
I SD1-15	DRIVER SEAT SQUAB AFT RECLINE MOVEMENT REQUEST	B+	GROUND
I SD1-16	DRIVER SEAT SQUAB FORE RECLINE MOVEMENT REQUEST	B+	GROUND
O SD2-1	DRIVER SEAT CUSHION REAR / SQUAB RECLINE MOTOR POT. REF. GROUND	GROUND	GROUND
O SD2-2	DRIVER SEAT CUSHION FORE / AFT MOTOR POT. REFERENCE GROUND	GROUND	GROUND
O SD2-5	DRIVER SEAT CUSHION REAR / SQUAB RECLINE MOTOR POT. REF. VOLTAGE	5V	GROUND
O SD2-6	DRIVER SEAT CUSHION FRONT MOTOR POT. REFERENCE VOLTAGE	5V	GROUND
I SD2-8	DRIVER SEAT HEADREST MOTOR POTENTIOMETER FEEDBACK	10 V = UP, 1 V = DOWN	GROUND
I SD2-9	DRIVER SEAT CUSHION FRONT MOTOR POTENTIOMETER FEEDBACK	10 V = UP, 1 V = DOWN	GROUND
I SD2-10	DRIVER SEAT CUSHION REAR MOTOR POTENTIOMETER FEEDBACK	10 V = UP, 1 V = DOWN	GROUND
I SD2-11	DRIVER SEAT SQUAB RECLINE MOTOR POTENTIOMETER FEEDBACK	9 V = FORE, 2 V = AFT	GROUND
I SD2-12	DRIVER SEAT CUSHION FORE / AFT MOTOR POTENTIOMETER FEEDBACK	2 V = FORE, 10 V = AFT	GROUND
O SD2-14	DRIVER SEAT HEADREST MOTOR POTENTIOMETER REFERENCE GROUND	GROUND	GROUND
O SD2-15	DRIVER SEAT CUSHION FRONT MOTOR POTENTIOMETER REFERENCE GROUND	GROUND	GROUND
O SD2-18	DRIVER SEAT CUSHION FORE / AFT MOTOR POT. REFERENCE VOLTAGE	5V	GROUND
O SD2-19	DRIVER SEAT HEADREST MOTOR POTENTIOMETER REFERENCE VOLTAGE	5V	GROUND
I SD3-1	MODULE IDENTIFICATION	GROUND (DRIVER)	GROUND
I SD3-2	POWER GROUND	GROUND	GROUND
O SD3-3	DRIVER SEAT RAISE / LOWER MOTOR SUPPLY	B+	GROUND
O SD3-4	DRIVER SEAT RAISE / LOWER MOTOR SUPPLY	B+	GROUND
I SD3-5	BATTERY POWER SUPPLY	B+	GROUND
I SD3-6	DRIVER SEAT HEADREST RAISE MOVEMENT REQUEST	B+	GROUND
I SD3-8	DRIVER SEAT HEADREST LOWER MOVEMENT REQUEST	B+	GROUND
S SD3-9	SCP NETWORK	2 – 1600 Hz	GROUND
S SD3-10	SCP NETWORK	2 – 1600 Hz	GROUND

INSTRUMENT PACK

Pin	Description	Active	Inactive
C FC24-11	CAN NETWORK	15 – 1500 Hz	
S FC24-13	SCP NETWORK	2 – 1600 Hz	
S FC24-14	SCP NETWORK	2 – 1600 Hz	
C FC24-24	CAN NETWORK	15 – 1500 Hz	

NOTE: Refer to the Appendix at the rear of this book for CAN and SCP Network messages.

The following abbreviations are used to represent values for Control Module Pin-Out data

I	Input	SG	Sensor Ground	S	SCP Network	V	Voltage (DC)
O	Output	A	ACP Network	D	Serial and Encoded Data	Hz	Frequency
SS	Sensor Supply V	C	CAN (Network)	B+	Battery Voltage	kHz	Frequency x 1000

CAUTION: The information on this data page is furnished to aid the user in understanding circuit operation. THIS INFORMATION SHOULD BE USED FOR REFERENCE ONLY.

NOTE: The values listed are approximately those that can be expected at the control module connector pins with all circuit connections made and all components connected and fitted. "Active" means a load is applied or a switch is ON; "Inactive" means a load is not applied or a switch is OFF.

Fig. 12.1

COMPONENTS

Component	Connector / Type / Color	Location / Access
BODY PROCESSOR MODULE	FC15 / 14-WAY AMP EEEC / GREY	BULKHEAD / BEHIND GLOVE BOX
DOOR CONTROL MODULE – DRIVER	DD10 / 22-WAY FORD 2.8 TIMER / BLUE DD11 / 22-WAY FORD 2.8 TIMER / BLACK	DOOR CASING / TRIM PANEL
DOOR CONTROL MODULE – DRIVER REAR	RD10 / 22-WAY FORD 2.8 TIMER / BLUE RD11 / 22-WAY FORD 2.8 TIMER / BLACK	DOOR CASING / TRIM PANEL
INSTRUMENT PACK	FC24 / 26-WAY AMP MICRO QUAD LOCK / BLACK FC25 / 26-WAY AMP MICRO QUAD LOCK / YELLOW	FASCIA
MEMORY SWITCHES (DRIVER DOOR SWITCH PACK)	DD1 / 26-WAY AMP MICRO QUAD LOCK / YELLOW	DOOR TRIM PANEL
SEAT CONTROL MODULE – DRIVER	SD1 / 16-WAY FORD 2.8 TIMER / BLACK SD2 / 26-WAY FORD IDC / BLACK SD3 / 10-WAY FORD 2.8 TIMER / BLACK SD7 / 3-WAY MULTILOCK 070 / YELLOW	DRIVER SEAT / UNDER
SEAT CUSHION HEATERS – DRIVER	CC1 / 16-WAY FORD IDC S.U. / BLACK	DRIVER SEAT
SEAT HEATER SWITCH (CENTER CONSOLE SWITCH PACK)	SD10 / 3-WAY MULTILOCK 070 / YELLOW	DRIVER SEAT
SEAT LUMBAR PUMP – DRIVER	SD4 / 6-WAY MULTILOCK 070 / GREY	DRIVER SEAT / UNDER
SEAT MOTORS – DRIVER	SD6 / 6-WAY MULTILOCK 070 / YELLOW SD11 / 6-WAY MULTILOCK 070 / WHITE SD12 / 6-WAY MULTILOCK 070 / WHITE SD13 / 6-WAY MULTILOCK 070 / YELLOW	DRIVER SEAT
SEAT SQUAB HEATERS – DRIVER	SD9 / 3-WAY MULTILOCK 070 / GREY	DRIVER SEAT
SWITCH PACK – DRIVER SEAT	SD5 / 16-WAY MULTILOCK 040 / BLACK	DRIVER SEAT

RELAYS

Relay	Case Color	Connector / Color	Location / Access
SEAT HEATER RELAY – DRIVER	BROWN	SD14 / BROWN	FRONT SEAT RELAYS / UNDER SEAT

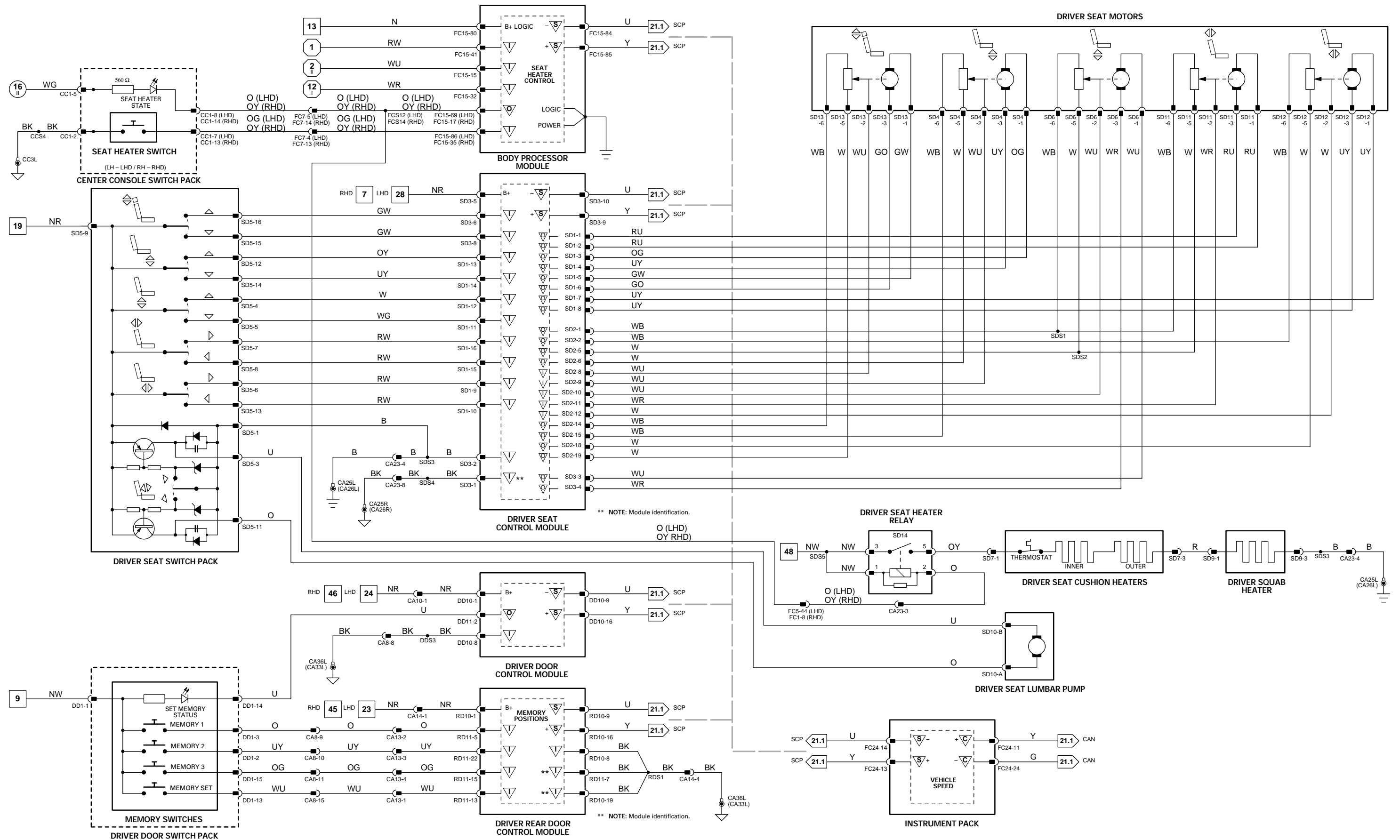
HARNESSTO-HARNESSTO CONNECTORS

Connector	Type / Color	Location / Access
CA8	20-WAY MULTILOCK 070 / WHITE	DRIVER 'A' POST / DOOR HARNESS GAITER
CA10	8-WAY MULTILOCK 070 / YELLOW	DRIVER 'A' POST / DOOR HARNESS GAITER
CA13	4-WAY MULTILOCK 070 / WHITE	DRIVER 'B/C' POST / DOOR HARNESS GAITER
CA14	6-WAY MULTILOCK 070 / WHITE	DRIVER 'B/C' POST / DOOR HARNESS GAITER
CA23	10-WAY MULTILOCK 070 / WHITE	BELOW DRIVER SEAT
FC1	54-WAY THROUGH PANEL CONNECTOR / GREY	BELOW PASSENGER SIDE AIR VENT / GLOVE BOX ASSEMBLY
FC5	54-WAY THROUGH PANEL CONNECTOR / GREY	BELOW DRIVER SIDE AIR VENT / COIN TRAY
FC7	20-WAY MULTILOCK 070 / YELLOW	ABOVE DIMMER MODULE / COIN TRAY

GROUNDS

Ground	Location / Type
CA25L	EYELET (PAIR) – PASSENGER SEAT GROUND STUD
CA25R	EYELET (PAIR) – PASSENGER SEAT GROUND STUD
CA26L	EYELET (PAIR) – DRIVER SEAT GROUND STUD
CA26R	EYELET (PAIR) – DRIVER SEAT GROUND STUD
CA33L	EYELET (PAIR) – RH 'A' POST GROUND SCREW
CA36L	EYELET (PAIR) – LH 'A' POST GROUND SCREW
CC3L	EYELET (PAIR) – RH FRONT BULKHEAD STUD / CABIN SIDE

FOR CONTROL MODULE PIN OUT INFORMATION, UNFOLD PAGE TO LEFT.



CONTROL MODULE PIN OUT INFORMATION

BODY PROCESSOR MODULE

Pin	Description	Active	Inactive
I FC15-15	IGNITION SWITCHED GROUND	GROUND	B+
O FC15-17	SEAT HEATER STATUS (LHD = PASSENGER, RHD = DRIVER)	GROUND	B+
I FC15-32	IGNITION SWITCHED GROUND	GROUND	B+
I FC15-35	SEAT HEATER REQUEST (LHD = PASSENGER, RHD = DRIVER)	GROUND (MOMENTARY)	B+
I FC15-41	STARTER ENGAGE REQUEST	GROUND (CRANKING)	B+
O FC15-69	SEAT HEATER STATUS (LHD = DRIVER, RHD = PASSENGER)	GROUND	B+
I FC15-80	BATTERY SUPPLY VOLTAGE	B+	B+
S FC15-84	SCP NETWORK	2 – 1600 Hz	
S FC15-85	SCP NETWORK	2 – 1600 Hz	
I FC15-86	SEAT HEATER REQUEST (LHD = DRIVER, RHD = PASSENGER)	GROUND (MOMENTARY)	B+

DRIVER SEAT CONTROL MODULE

Pin	Description	Active	Inactive
O SD1-1	DRIVER SEAT SQUAB FORE / AFT RECLINE MOTOR SUPPLY	B+	GROUND
O SD1-2	DRIVER SEAT SQUAB FORE / AFT RECLINE MOTOR SUPPLY	B+	GROUND
O SD1-3	DRIVER SEAT CUSHION RAISE / LOWER FRONT MOTOR SUPPLY	B+	GROUND
O SD1-4	DRIVER SEAT CUSHION RAISE / LOWER FRONT MOTOR SUPPLY	B+	GROUND
O SD1-5	DRIVER HEADREST RAISE / LOWER MOTOR SUPPLY	B+	GROUND
O SD1-6	DRIVER HEADREST RAISE / LOWER MOTOR SUPPLY	B+	GROUND
O SD1-7	DRIVER SEAT CUSHION FORE / AFT MOTOR SUPPLY	B+	GROUND
O SD1-8	DRIVER SEAT CUSHION FORE / AFT MOTOR SUPPLY	B+	GROUND
I SD1-9	DRIVER SEAT CUSHION FORE MOVEMENT REQUEST	B+	GROUND
I SD1-10	DRIVER SEAT CUSHION AFT MOVEMENT REQUEST	B+	GROUND
I SD1-11	DRIVER SEAT CUSHION LOWER REAR MOVEMENT REQUEST	B+	GROUND
I SD1-12	DRIVER SEAT CUSHION RAISE REAR MOVEMENT REQUEST	B+	GROUND
I SD1-13	DRIVER SEAT CUSHION RAISE FRONT MOVEMENT REQUEST	B+	GROUND
I SD1-14	DRIVER SEAT CUSHION LOWER FRONT MOVEMENT REQUEST	B+	GROUND
I SD1-15	DRIVER SEAT SQUAB AFT RECLINE MOVEMENT REQUEST	B+	GROUND
I SD1-16	DRIVER SEAT SQUAB FORE RECLINE MOVEMENT REQUEST	B+	GROUND
I SD3-1	MODULE IDENTIFICATION	GROUND (DRIVER)	
I SD3-2	POWER GROUND	GROUND	GROUND
O SD3-3	DRIVER SEAT RAISE / LOWER MOTOR SUPPLY	B+	GROUND
O SD3-4	DRIVER SEAT RAISE / LOWER MOTOR SUPPLY	B+	GROUND
I SD3-5	BATTERY POWER SUPPLY	B+	B+
I SD3-6	DRIVER SEAT HEADREST RAISE MOVEMENT REQUEST	B+	GROUND
I SD3-8	DRIVER SEAT HEADREST LOWER MOVEMENT REQUEST	B+	GROUND
S SD3-9	SCP NETWORK	2 – 1600 Hz	
S SD3-10	SCP NETWORK	2 – 1600 Hz	

NOTE: Refer to the Appendix at the rear of this book for CAN and SCP Network messages.

Fig. 12.2

COMPONENTS

Component	Connector / Type / Color	Location / Access
BODY PROCESSOR MODULE	FC15 / 14-WAY AMP EEEC / GREY	BULKHEAD / BEHIND GLOVE BOX
DOOR CONTROL MODULE – DRIVER	DD10 / 22-WAY FORD 2.8 TIMER / BLUE DD11 / 22-WAY FORD 2.8 TIMER / BLACK	DOOR CASING / TRIM PANEL
DOOR CONTROL MODULE – DRIVER REAR	RD10 / 22-WAY FORD 2.8 TIMER / BLUE RD11 / 22-WAY FORD 2.8 TIMER / BLACK	DOOR CASING / TRIM PANEL
SEAT CONTROL MODULE – DRIVER	SD1 / 16-WAY FORD 2.8 TIMER / BLACK SD2 / 26-WAY FORD IDC / BLACK SD3 / 10-WAY FORD 2.8 TIMER / BLACK	DRIVER SEAT / UNDER
SEAT CUSHION HEATERS – DRIVER	SD7 / 3-WAY MULTILOCK 070 / YELLOW	DRIVER SEAT
SEAT HEATER SWITCH (CENTER CONSOLE SWITCH PACK)	CC1 / 16-WAY FORD IDC S.U. / BLACK	CENTER CONSOLE SWITCH PACK
SEAT LUMBAR PUMP – DRIVER	SD10 / 3-WAY MULTILOCK 070 / YELLOW	DRIVER SEAT
SEAT MOTORS – DRIVER	SD4 / 6-WAY MULTILOCK 070 / GREY SD6 / 6-WAY MULTILOCK 070 / YELLOW SD11 / 6-WAY MULTILOCK 070 / WHITE SD12 / 6-WAY MULTILOCK 070 / WHITE SD13 / 6-WAY MULTILOCK 070 / YELLOW	DRIVER SEAT / UNDER
SEAT SQUAB HEATERS – DRIVER	SD9 / 3-WAY MULTILOCK 070 / GREY	DRIVER SEAT
SWITCH PACK – DRIVER SEAT	SD5 / 16-WAY MULTILOCK 040 / BLACK	DRIVER SEAT

RELAYS

Relay	Case Color	Connector / Color	Location / Access
SEAT HEATER RELAY – DRIVER	BROWN	SD14 / BROWN	FRONT SEAT RELAYS / UNDER SEAT

HARNESS-TO-HARNESS CONNECTORS

Connector	Type / Color	Location / Access
CA8	20-WAY MULTILOCK 070 / WHITE	DRIVER 'A' POST / DOOR HARNESS GAITER
CA13	4-WAY MULTILOCK 070 / WHITE	DRIVER 'B/C' POST / DOOR HARNESS GAITER
CA23	10-WAY MULTILOCK 070 / WHITE	BELOW DRIVER SEAT
FC1	54-WAY THROUGH PANEL CONNECTOR / GREY	BELOW PASSENGER SIDE AIR VENT / GLOVE BOX ASSEMBLY
FC5	54-WAY THROUGH PANEL CONNECTOR / GREY	BELOW DRIVER SIDE AIR VENT / COIN TRAY
FC7	20-WAY MULTILOCK 070 / YELLOW	ABOVE DIMMER MODULE / COIN TRAY

GROUND

Ground	Location / Type
CA25L	EYELET (PAIR) – PASSENGER SEAT GROUND STUD
CA25R	EYELET (PAIR) – PASSENGER SEAT GROUND STUD
CA26L	EYELET (PAIR) – DRIVER SEAT GROUND STUD
CA26R	EYELET (PAIR) – DRIVER SEAT GROUND STUD
CC3L	EYELET (PAIR) – RH FRONT BULKHEAD STUD / CABIN SIDE

FOR CONTROL MODULE PIN OUT INFORMATION, UNFOLD PAGE TO LEFT.

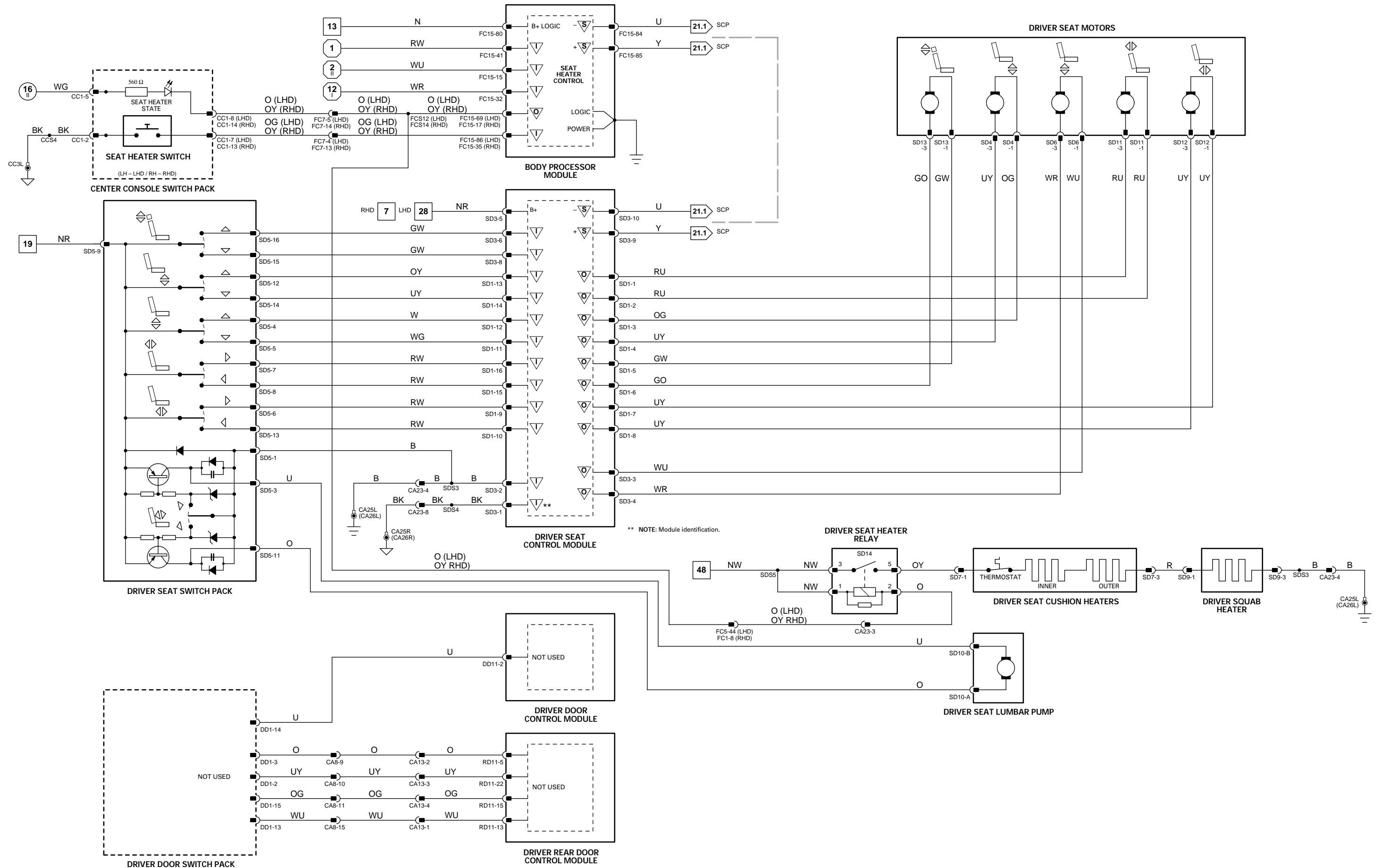
The following abbreviations are used to represent values for Control Module Pin-Out data

I	Input	SG	Sensor Ground	S	SCP Network	V	Voltage (DC)
O	Output	A	ACP Network	D	Serial and Encoded Data	Hz	Frequency
SS	Sensor Supply V	C	CAN (Network)	B+	Battery Voltage	kHz	Frequency x 1000

CAUTION: The information on this data page is furnished to aid the user in understanding circuit operation. THIS INFORMATION SHOULD BE USED FOR REFERENCE ONLY.

NOTE: The values listed are approximately those that can be expected at the control module connector pins with all circuit connections made and all components connected and fitted. "Active" means a load is applied or a switch is ON; "Inactive" means a load is not applied or a switch is OFF.

Refer to the front of this book for detailed information and illustrations regarding the location and identification of harnesses, relays, grounds, control modules and control module pins.



CONTROL MODULE PIN OUT INFORMATION

BODY PROCESSOR MODULE

Pin	Description	Active	Inactive
I	FC15-15	IGNITION SWITCHED GROUND	GROUND
O	FC15-17	SEAT HEATER STATUS (LHD = PASSENGER, RHD = DRIVER)	GROUND
I	FC15-32	IGNITION SWITCHED GROUND	GROUND
I	FC15-35	SEAT HEATER REQUEST (LHD = PASSENGER, RHD = DRIVER)	GROUND (MOMENTARY)
I	FC15-41	STARTER ENGAGE REQUEST	GROUND (CRANKING)
O	FC15-69	SEAT HEATER STATUS (LHD = DRIVER, RHD = PASSENGER)	GROUND
I	FC15-80	BATTERY SUPPLY VOLTAGE	B+
I	FC15-86	SEAT HEATER REQUEST (LHD = DRIVER, RHD = PASSENGER)	GROUND (MOMENTARY)

Fig. 12.3

COMPONENTS

Component	Connector / Type / Color	Location / Access
BODY PROCESSOR MODULE	FC15 / 14-WAY AMP EEEC / GREY	BULKHEAD / BEHIND GLOVE BOX
DOOR CONTROL MODULE - DRIVER	DD10 / 22-WAY FORD 2.8 TIMER / BLUE DD11 / 22-WAY FORD 2.8 TIMER / BLACK	DOOR CASING / TRIM PANEL
DOOR CONTROL MODULE - DRIVER REAR	RD10 / 22-WAY FORD 2.8 TIMER / BLUE RD11 / 22-WAY FORD 2.8 TIMER / BLACK	DOOR CASING / TRIM PANEL
SEAT CUSHION HEATERS - DRIVER	SD7 / 3-WAY MULTILOCK 070 / YELLOW	DRIVER SEAT
SEAT HEATER SWITCH (CENTER CONSOLE SWITCH PACK)	CC1 / 16-WAY FORD IDC S.U. / BLACK	CENTER CONSOLE SWITCH PACK
SEAT MOTOR - DRIVER (RAISE / LOWER ONLY)	SD16 / 6-WAY MULTILOCK 070 / GREY	DRIVER SEAT / UNDER
SEAT SQUAB HEATERS - DRIVER	SD9 / 3-WAY MULTILOCK 070 / GREY	DRIVER SEAT
SWITCH PACK - DRIVER SEAT (RAISE / LOWER ONLY)	SD17 / 16-WAY MULTILOCK 040 / BLACK	DRIVER SEAT / UNDER

RELAYS

Relay	Case Color	Connector / Color	Location / Access
SEAT HEATER RELAY - DRIVER	BROWN	SD14 / BROWN	FRONT SEAT RELAYS / UNDER SEAT
SEAT RAISE RELAY	BLACK	SD18 / BLACK	FRONT SEAT RELAYS / UNDER SEAT
SEAT LOWER RELAY	BLACK	SD18 / BLACK	FRONT SEAT RELAYS / UNDER SEAT

HARNESS-TO-HARNESS CONNECTORS

Connector	Type / Color	Location / Access
CA8	20-WAY MULTILOCK 070 / WHITE	DRIVER 'A' POST / DOOR HARNESS GAITER
CA13	4-WAY MULTILOCK 070 / WHITE	DRIVER 'B/C' POST / DOOR HARNESS GAITER
CA23	10-WAY MULTILOCK 070 / WHITE	BELOW DRIVER SEAT
FC1	54-WAY THROUGH PANEL CONNECTOR / GREY	BELOW PASSENGER SIDE AIR VENT / GLOVE BOX ASSEMBLY
FC5	54-WAY THROUGH PANEL CONNECTOR / GREY	BELOW DRIVER SIDE AIR VENT / COIN TRAY
FC7	20-WAY MULTILOCK 070 / YELLOW	ABOVE DIMMER MODULE / COIN TRAY

GROUND

Ground	Location / Type
CA25L	EYELET (PAIR) - PASSENGER SEAT GROUND STUD
CA26L	EYELET (PAIR) - DRIVER SEAT GROUND STUD
CC3L	EYELET (PAIR) - RH FRONT BULKHEAD STUD / CABIN SIDE

FOR CONTROL MODULE PIN OUT INFORMATION, UNFOLD PAGE TO LEFT.

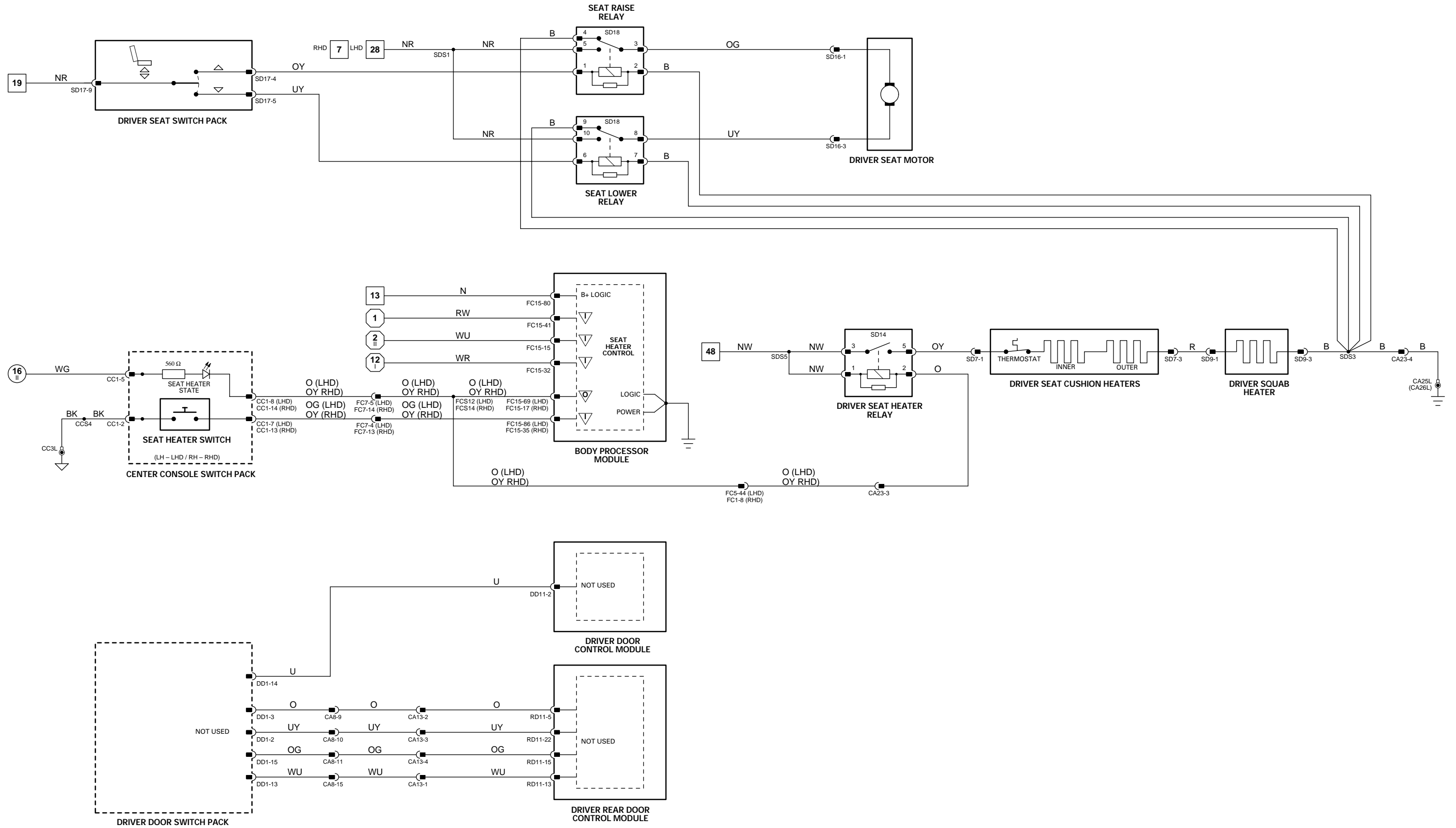
The following abbreviations are used to represent values for Control Module Pin-Out data

I	Input	SG	Sensor Ground	S	SCP Network	V	Voltage (DC)
O	Output	A	ACP Network	D	Serial and Encoded Data	Hz	Frequency
SS	Sensor Supply V	C	CAN (Network)	B+	Battery Voltage	kHz	Frequency x 1000

CAUTION: The information on this data page is furnished to aid the user in understanding circuit operation. THIS INFORMATION SHOULD BE USED FOR REFERENCE ONLY.

NOTE: The values listed are approximately those that can be expected at the control module connector pins with all circuit connections made and all components connected and fitted. "Active" means a load is applied or a switch is ON; "Inactive" means a load is not applied or a switch is OFF.

Refer to the front of this book for detailed information and illustrations regarding the location and identification of harnesses, relays, grounds, control modules and control module pins.



CONTROL MODULE PIN OUT INFORMATION

BODY PROCESSOR MODULE

Pin	Description	Active	Inactive
I FC15-15	IGNITION SWITCHED GROUND	GROUND	B+
O FC15-17	SEAT HEATER STATUS (LHD = PASSENGER, RHD = DRIVER)	GROUND	B+
I FC15-32	IGNITION SWITCHED GROUND	GROUND	B+
I FC15-35	SEAT HEATER REQUEST (LHD = PASSENGER, RHD = DRIVER)	GROUND (MOMENTARY)	B+
I FC15-41	STARTER ENGAGE REQUEST	GROUND (CRANKING)	B+
O FC15-69	SEAT HEATER STATUS (LHD = DRIVER, RHD = PASSENGER)	GROUND	B+
I FC15-80	BATTERY SUPPLY VOLTAGE	B+	B+
S FC15-84	SCP NETWORK	2 – 1600 Hz	B+
S FC15-85	SCP NETWORK	2 – 1600 Hz	B+
I FC15-86	SEAT HEATER REQUEST (LHD = DRIVER, RHD = PASSENGER)	GROUND (MOMENTARY)	B+

PASSENGER SEAT CONTROL MODULE

Pin	Description	Active	Inactive
O SD1-1	PASSENGER SEAT SQUAB FORE / AFT RECLINE MOTOR SUPPLY	B+	GROUND
O SD1-2	PASSENGER SEAT SQUAB FORE / AFT RECLINE MOTOR SUPPLY	B+	GROUND
O SD1-3	PASSENGER SEAT CUSHION RAISE / LOWER FRONT MOTOR SUPPLY	B+	GROUND
O SD1-4	PASSENGER SEAT CUSHION RAISE / LOWER FRONT MOTOR SUPPLY	B+	GROUND
O SD1-5	PASSENGER SEAT HEADREST RAISE / LOWER MOTOR SUPPLY	B+	GROUND
O SD1-6	PASSENGER SEAT HEADREST RAISE / LOWER MOTOR SUPPLY	B+	GROUND
O SD1-7	PASSENGER SEAT CUSHION FORE / AFT MOTOR SUPPLY	B+	GROUND
O SD1-8	PASSENGER SEAT CUSHION FORE / AFT MOTOR SUPPLY	B+	GROUND
I SD1-9	PASSENGER SEAT CUSHION FORE MOVEMENT REQUEST	B+	GROUND
I SD1-10	PASSENGER SEAT CUSHION AFT MOVEMENT REQUEST	B+	GROUND
I SD1-11	PASSENGER SEAT CUSHION LOWER REAR MOVEMENT REQUEST	B+	GROUND
I SD1-12	PASSENGER SEAT CUSHION RAISE REAR MOVEMENT REQUEST	B+	GROUND
I SD1-13	PASSENGER SEAT CUSHION RAISE FRONT MOVEMENT REQUEST	B+	GROUND
I SD1-14	PASSENGER SEAT CUSHION LOWER FRONT MOVEMENT REQUEST	B+	GROUND
I SD1-15	PASSENGER SEAT SQUAB AFT RECLINE MOVEMENT REQUEST	B+	GROUND
I SD1-16	PASSENGER SEAT SQUAB FORE RECLINE MOVEMENT REQUEST	B+	GROUND
I SD3-2	COMMON GROUND SUPPLY	GROUND	GROUND
O SD3-3	PASSENGER SEAT CUSHION RAISE / LOWER REAR MOTOR SUPPLY	B+	GROUND
O SD3-4	PASSENGER SEAT CUSHION RAISE / LOWER REAR MOTOR SUPPLY	B+	GROUND
I SD3-5	BATTERY SUPPLY	B+	B+
I SD3-6	PASSENGER SEAT HEADREST RAISE MOVEMENT REQUEST	B+	GROUND
I SD3-8	PASSENGER SEAT HEADREST LOWER MOVEMENT REQUEST	B+	GROUND
S SD3-9	SCP NETWORK	2 – 1600 Hz	
S SD3-10	SCP NETWORK	2 – 1600 Hz	

NOTE: Refer to the Appendix at the rear of this book for CAN and SCP Network messages.

Fig. 12.4

COMPONENTS

Component	Connector / Type / Color	Location / Access
BODY PROCESSOR MODULE	FC15 / 14-WAY AMP EEEEC / GREY	BULKHEAD / BEHIND GLOVE BOX
SEAT CONTROL MODULE – PASSENGER	SP1 / 16-WAY FORD 2.8 TIMER / BLACK SP3 / 10-WAY FORD 2.8 TIMER / BLACK SP7 / 3-WAY MULTILOCK 070 / YELLOW	PASSENGER SEAT / UNDER
SEAT CUSHION HEATERS – PASSENGER	CC1 / 16-WAY FORD IDC S.U. / BLACK	PASSENGER SEAT CENTER CONSOLE SWITCH PACK
SEAT HEATER SWITCH (CENTER CONSOLE SWITCH PACK)		
SEAT LUMBAR PUMP – PASSENGER	SP10 / 3-WAY MULTILOCK 070 / YELLOW	PASSENGER SEAT
SEAT MOTORS – PASSENGER	SP4 / 6-WAY MULTILOCK 070 / GREY SP6 / 6-WAY MULTILOCK 070 / YELLOW SP11 / 6-WAY MULTILOCK 070 / WHITE SP12 / 6-WAY MULTILOCK 070 / WHITE SP13 / 6-WAY MULTILOCK 070 / YELLOW	PASSENGER SEAT / UNDER
SEAT SQUAB HEATERS – PASSENGER	SP9 / 3-WAY MULTILOCK 070 / GREY	PASSENGER SEAT
SWITCH PACK – PASSENGER SEAT	SP5 / 16-WAY MULTILOCK 040 / BLACK	PASSENGER SEAT

RELAYS

Relay	Case Color	Connector / Color	Location / Access
SEAT HEATER RELAY – PASSENGER	BROWN	SP14 / BROWN	FRONT SEAT RELAYS / UNDER SEAT

HARNESSTO-HARNESSTO CONNECTORS

Connector	Type / Color	Location / Access
CA27	10-WAY MULTILOCK 070 / WHITE	BELOW PASSENGER SEAT
FC1	54-WAY THROUGH PANEL CONNECTOR / GREY	BELOW PASSENGER SIDE AIR VENT / GLOVE BOX ASSEMBLY
FC5	54-WAY THROUGH PANEL CONNECTOR / GREY	BELOW DRIVER SIDE AIR VENT / COIN TRAY
FC7	20-WAY MULTILOCK 070 / YELLOW	ABOVE DIMMER MODULE / COIN TRAY

GROUNDS

Ground	Location / Type
CA25L	EYELET (PAIR) – PASSENGER SEAT GROUND STUD
CA26L	EYELET (PAIR) – DRIVER SEAT GROUND STUD
CC3L	EYELET (PAIR) – RH FRONT BULKHEAD STUD / CABIN SIDE

FOR CONTROL MODULE PIN OUT INFORMATION, UNFOLD PAGE TO LEFT.

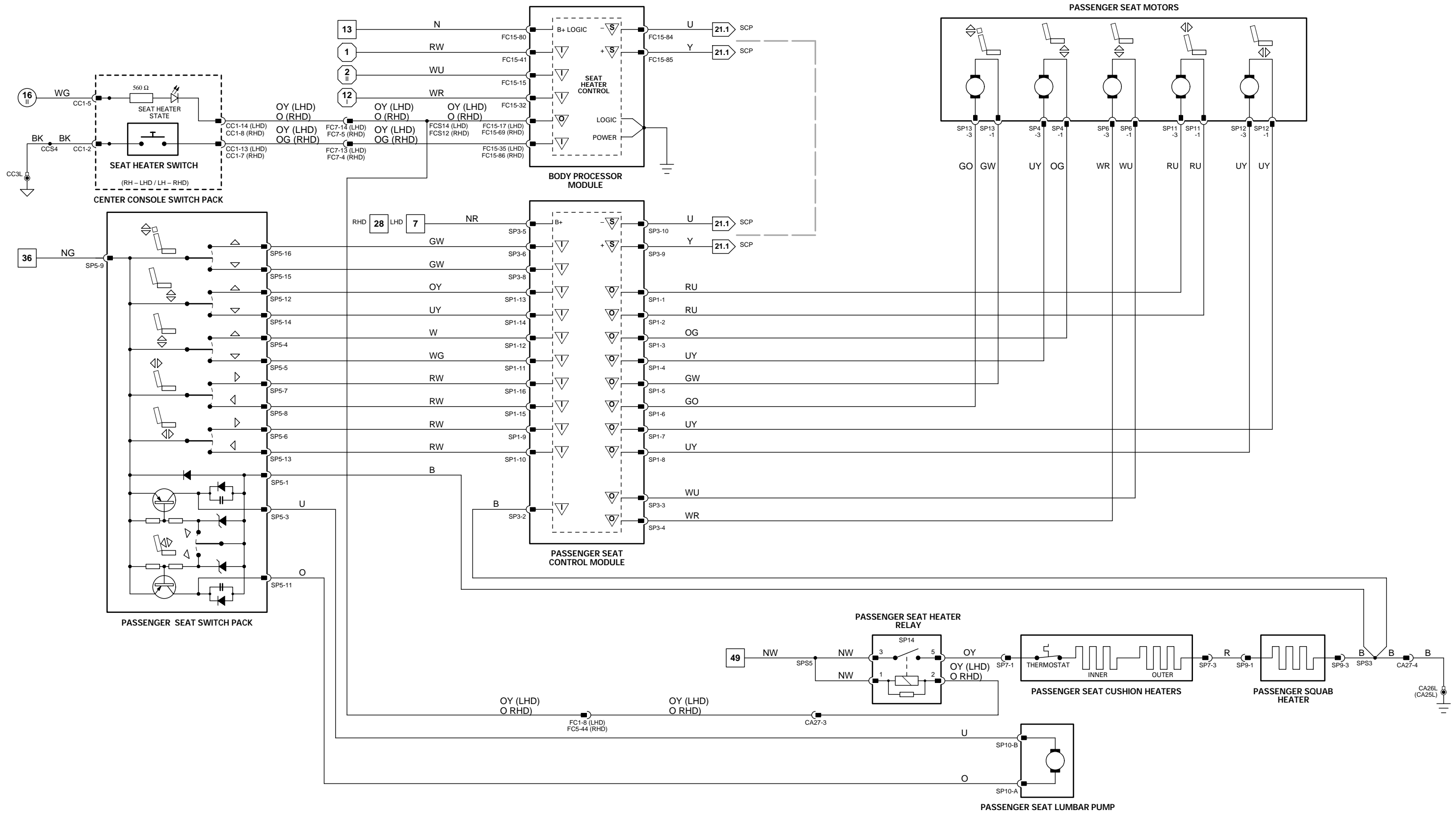
The following abbreviations are used to represent values for Control Module Pin-Out data

I	Input	SG	Sensor Ground	S	SCP Network	V	Voltage (DC)
O	Output	A	ACP Network	D	Serial and Encoded Data	Hz	Frequency
SS	Sensor Supply V	C	CAN (Network)	B+	Battery Voltage	kHz	Frequency x 1000

CAUTION: The information on this data page is furnished to aid the user in understanding circuit operation. THIS INFORMATION SHOULD BE USED FOR REFERENCE ONLY.

NOTE: The values listed are approximately those that can be expected at the control module connector pins with all circuit connections made and all components connected and fitted. “Active” means a load is applied or a switch is ON; “Inactive” means a load is not applied or a switch is OFF.

Refer to the front of this book for detailed information and illustrations regarding the location and identification of harnesses, relays, grounds, control modules and control module pins.



1 → 6 Fig. 01.1
 1 → 4 Fig. 01.1
 7 → 49 Fig. 01.2
 50 → 88 Fig. 01.3
 5 → 49 Fig. 01.4
 50 → 63 Fig. 01.5
 1 → 19 Fig. 02.1

▽ Input + ▽ Sensor Supply V ▽ ACP ▽ SCP
 ▽ Output - ▽ Sensor Ground ▽ CAN ▽ Serial and Encoded Data

VARIANT: Passenger 5-Way Powered Seat Vehicles
VIN RANGE: F20645 →
DATE OF ISSUE: September 2000

CONTROL MODULE PIN OUT INFORMATION

BODY PROCESSOR MODULE

Pin	Description	Active	Inactive
I	FC15-15	IGNITION SWITCHED GROUND	GROUND
O	FC15-17	SEAT HEATER STATUS (LHD = PASSENGER, RHD = DRIVER)	GROUND
I	FC15-32	IGNITION SWITCHED GROUND	GROUND
I	FC15-35	SEAT HEATER REQUEST (LHD = PASSENGER, RHD = DRIVER)	GROUND (MOMENTARY)
I	FC15-41	STARTER ENGAGE REQUEST	GROUND (CRANKING)
O	FC15-69	SEAT HEATER STATUS (LHD = DRIVER, RHD = PASSENGER)	GROUND
I	FC15-80	BATTERY SUPPLY VOLTAGE	B+
S	FC15-84	SCP NETWORK	2 – 1600 Hz
S	FC15-85	SCP NETWORK	2 – 1600 Hz
I	FC15-86	SEAT HEATER REQUEST (LHD = DRIVER, RHD = PASSENGER)	GROUND (MOMENTARY)

PASSENGER SEAT CONTROL MODULE

Pin	Description	Active	Inactive
O	SP1-1	PASSENGER SEAT SQUAB FORE / AFT RECLINE MOTOR SUPPLY	B+
O	SP1-2	PASSENGER SEAT SQUAB FORE / AFT RECLINE MOTOR SUPPLY	B+
O	SP1-3	PASSENGER SEAT CUSHION RAISE / LOWER FRONT MOTOR SUPPLY	B+
O	SP1-4	PASSENGER SEAT CUSHION RAISE / LOWER FRONT MOTOR SUPPLY	B+
O	SP1-5	PASSENGER SEAT HEADREST RAISE / LOWER MOTOR SUPPLY	B+
O	SP1-6	PASSENGER SEAT HEADREST RAISE / LOWER MOTOR SUPPLY	B+
O	SP1-7	PASSENGER SEAT CUSHION FORE / AFT MOTOR SUPPLY	B+
O	SP1-8	PASSENGER SEAT CUSHION FORE / AFT MOTOR SUPPLY	B+
I	SP1-9	PASSENGER SEAT CUSHION FORE MOVEMENT REQUEST	B+
I	SP1-10	PASSENGER SEAT CUSHION AFT MOVEMENT REQUEST	B+
I	SP1-11	PASSENGER SEAT CUSHION LOWER REAR MOVEMENT REQUEST	B+
I	SP1-12	PASSENGER SEAT CUSHION RAISE REAR MOVEMENT REQUEST	B+
I	SP1-13	PASSENGER SEAT CUSHION RAISE FRONT MOVEMENT REQUEST	B+
I	SP1-14	PASSENGER SEAT CUSHION LOWER FRONT MOVEMENT REQUEST	B+
I	SP1-15	PASSENGER SEAT SQUAB AFT RECLINE MOVEMENT REQUEST	B+
I	SP1-16	PASSENGER SEAT SQUAB FORE RECLINE MOVEMENT REQUEST	B+
I	SP3-2	COMMON GROUND SUPPLY	GROUND
O	SP3-3	PASSENGER SEAT CUSHION RAISE / LOWER REAR MOTOR SUPPLY	B+
O	SP3-4	PASSENGER SEAT CUSHION RAISE / LOWER REAR MOTOR SUPPLY	B+
I	SP3-5	BATTERY SUPPLY	B+
I	SP3-6	PASSENGER SEAT HEADREST RAISE MOVEMENT REQUEST	B+
I	SP3-8	PASSENGER SEAT HEADREST LOWER MOVEMENT REQUEST	B+
S	SP3-9	SCP NETWORK	2 – 1600 Hz
S	SP3-10	SCP NETWORK	2 – 1600 Hz

NOTE: Refer to the Appendix at the rear of this book for CAN and SCP Network messages.

Fig. 12.5

COMPONENTS

Component	Connector / Type / Color	Location / Access
BODY PROCESSOR MODULE	FC15 / 14-WAY AMP EEEC / GREY	BULKHEAD / BEHIND GLOVE BOX
FORE / AFT SWITCH – PASSENGER REAR	SP19 / 10-WAY AMP MICRO QUAD LOCK / BLACK	PASSENGER SEAT / REAR
RECLINE SWITCH – PASSENGER REAR	SP20 / 10-WAY AMP MICRO QUAD LOCK / BLACK	PASSENGER SEAT / REAR
SEAT CONTROL MODULE – PASSENGER	SP1 / 16-WAY FORD 2.8 TIMER / BLACK SP3 / 10-WAY FORD 2.8 TIMER / BLACK	PASSENGER SEAT / UNDER
SEAT CUSHION HEATERS – PASSENGER	SP7 / 3-WAY MULTILOCK 070 / YELLOW	PASSENGER SEAT
SEAT HEATER SWITCH (CENTER CONSOLE SWITCH PACK)	CC1 / 16-WAY FORD IDC S.U. / BLACK	CENTER CONSOLE SWITCH PACK
SEAT LUMBAR PUMP – PASSENGER	SP10 / 3-WAY MULTILOCK 070 / YELLOW	PASSENGER SEAT
SEAT MOTORS – PASSENGER	SP4 / 6-WAY MULTILOCK 070 / GREY SP6 / 6-WAY MULTILOCK 070 / YELLOW SP11 / 6-WAY MULTILOCK 070 / WHITE SP12 / 6-WAY MULTILOCK 070 / WHITE SP13 / 6-WAY MULTILOCK 070 / YELLOW	PASSENGER SEAT / UNDER
SEAT SQUAB HEATERS – PASSENGER	SP9 / 3-WAY MULTILOCK 070 / GREY	PASSENGER SEAT
SWITCH PACK – PASSENGER SEAT	SP5 / 16-WAY MULTILOCK 040 / BLACK	PASSENGER SEAT

RELAYS

Relay	Case Color	Connector / Color	Location / Access
SEAT HEATER RELAY – PASSENGER	BROWN	SP14 / BROWN	FRONT SEAT RELAYS / UNDER SEAT

HARNESSTO-HARNESSTO CONNECTORS

Connector	Type / Color	Location / Access
CA27	10-WAY MULTILOCK 070 / WHITE	BELOW PASSENGER SEAT
FC1	54-WAY THROUGH PANEL CONNECTOR / GREY	BELOW PASSENGER SIDE AIR VENT / GLOVE BOX ASSEMBLY
FC5	54-WAY THROUGH PANEL CONNECTOR / GREY	BELOW DRIVER SIDE AIR VENT / COIN TRAY
FC7	20-WAY MULTILOCK 070 / YELLOW	ABOVE DIMMER MODULE / COIN TRAY
SP25	10-WAY MULTILOCK 070 / WHITE	BEHIND PASSENGER SEAT BACK FINISHER

GROUNDSTO

Ground	Location / Type
CA25L	EYELET (PAIR) – PASSENGER SEAT GROUND STUD
CA26L	EYELET (PAIR) – DRIVER SEAT GROUND STUD
CC3L	EYELET (PAIR) – RH FRONT BULKHEAD STUD / CABIN SIDE

FOR CONTROL MODULE PIN OUT INFORMATION, UNFOLD PAGE TO LEFT.

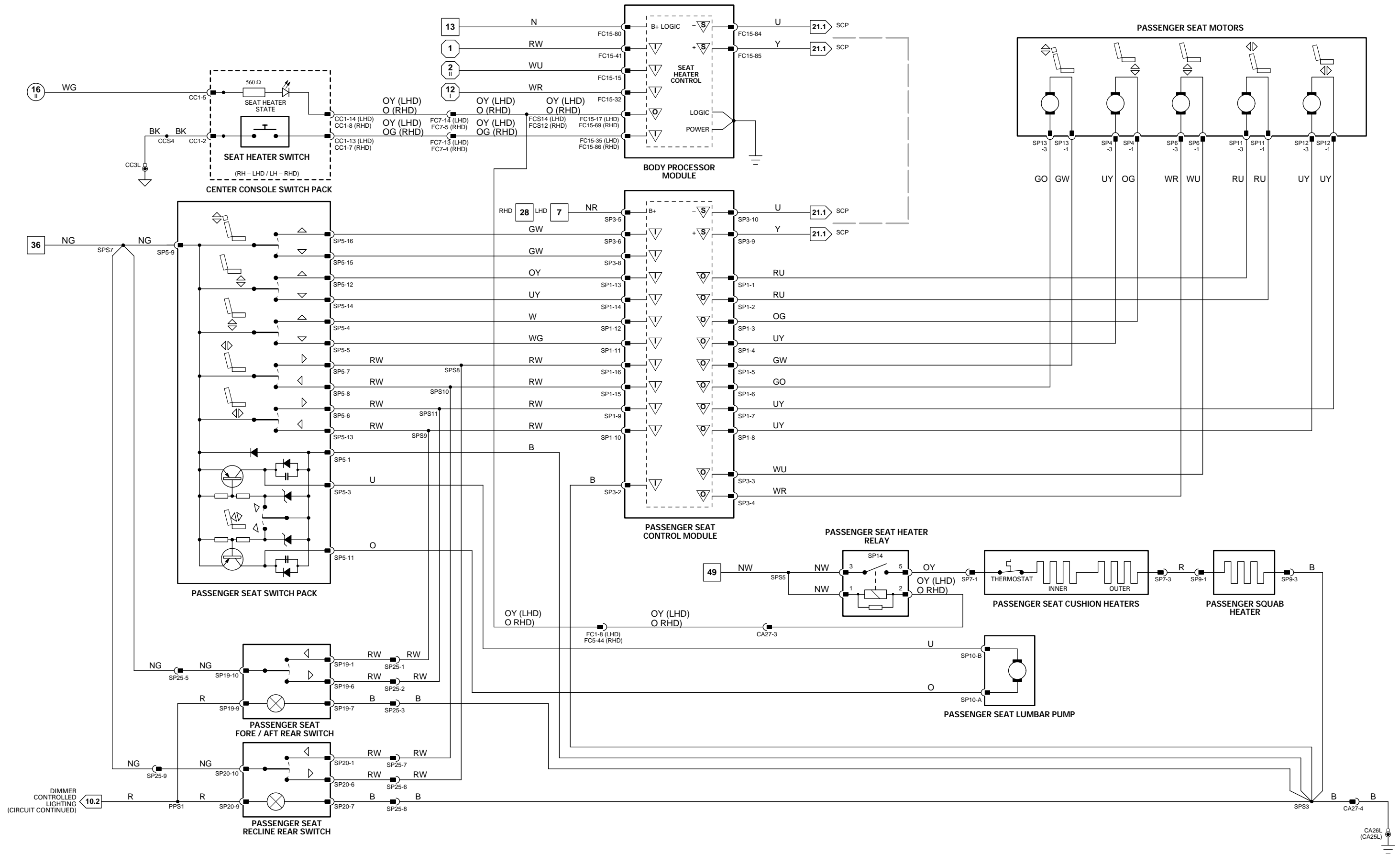
The following abbreviations are used to represent values for Control Module Pin-Out data

I	Input	SG	Sensor Ground	S	SCP Network	V	Voltage (DC)
O	Output	A	ACP Network	D	Serial and Encoded Data	Hz	Frequency
SS	Sensor Supply V	C	CAN (Network)	B+	Battery Voltage	kHz	Frequency x 1000

CAUTION: The information on this data page is furnished to aid the user in understanding circuit operation. THIS INFORMATION SHOULD BE USED FOR REFERENCE ONLY.

NOTE: The values listed are approximately those that can be expected at the control module connector pins with all circuit connections made and all components connected and fitted. “Active” means a load is applied or a switch is ON; “Inactive” means a load is not applied or a switch is OFF.

Refer to the front of this book for detailed information and illustrations regarding the location and identification of harnesses, relays, grounds, control modules and control module pins.



1 → 6 Fig. 01.1 1 → 4 Fig. 01.1 7 → 49 Fig. 01.2 50 → 88 Fig. 01.3 5 → 49 Fig. 01.4 50 → 63 Fig. 01.5 1 → 19 Fig. 02.1

▽ Input ▽ Sensor Supply V ▽ ACP ▽ SCP
 ▽ Output ▽ Sensor Ground ▽ CAN ▽ Serial and Encoded Data

VARIANT: LWB Powered Rear Seat Vehicles
VIN RANGE: F20645 →
DATE OF ISSUE: September 2000

CONTROL MODULE PIN OUT INFORMATION

BODY PROCESSOR MODULE

Pin	Description	Active	Inactive
I	FC15-15	IGNITION SWITCHED GROUND	GROUND
O	FC15-17	RH SEAT HEATER STATUS	GROUND
I	FC15-32	IGNITION SWITCHED GROUND	GROUND
I	FC15-35	RH SEAT HEATER REQUEST	GROUND (MOMENTARY)
I	FC15-41	STARTER ENGAGE REQUEST	GROUND (CRANKING)
O	FC15-69	LH SEAT HEATER STATUS	GROUND
I	FC15-80	BATTERY SUPPLY VOLTAGE	B+
I	FC15-86	LH SEAT HEATER REQUEST	GROUND (MOMENTARY)

Fig. 12.6

COMPONENTS	Connector / Type / Color	Location / Access
Component		
BODY PROCESSOR MODULE	FC15 / 14-WAY AMP EEEC / GREY	BULKHEAD / BEHIND GLOVE BOX
SEAT CUSHION HEATERS – PASSENGER	SP7 / 3-WAY MULTILOCK 070 / YELLOW	PASSENGER SEAT
SEAT HEATER SWITCHES (CENTER CONSOLE SWITCH PACK)	CC1 / 16-WAY FORD IDC S.U. / BLACK	CENTER CONSOLE SWITCH PACK
SEAT SQUAB HEATERS – PASSENGER	SP9 / 3-WAY MULTILOCK 070 / GREY	PASSENGER SEAT

RELAYS	Case Color	Connector / Color	Location / Access
Relay			
SEAT HEATER RELAY – PASSENGER	BROWN	SP14 / BROWN	FRONT SEAT RELAYS / UNDER SEAT

HARNESSTO-HARNESSTO CONNECTORS		
Connector	Type / Color	Location / Access
CA27	10-WAY MULTILOCK 070 / WHITE	BELOW PASSENGER SEAT
FC1	54-WAY THROUGH PANEL CONNECTOR / GREY	BELOW PASSENGER SIDE AIR VENT / GLOVE BOX ASSEMBLY
FC5	54-WAY THROUGH PANEL CONNECTOR / GREY	BELOW DRIVER SIDE AIR VENT / COIN TRAY
FC7	20-WAY MULTILOCK 070 / YELLOW	ABOVE DIMMER MODULE / COIN TRAY

GROUNDS	
Ground	Location / Type
CC3L	EYELET (PAIR) – RH FRONT BULKHEAD STUD / CABIN SIDE
CA25L	EYELET (PAIR) – PASSENGER SEAT GROUND STUD
CA26L	EYELET (PAIR) – DRIVER SEAT GROUND STUD

FOR CONTROL MODULE PIN OUT INFORMATION, UNFOLD PAGE TO LEFT.

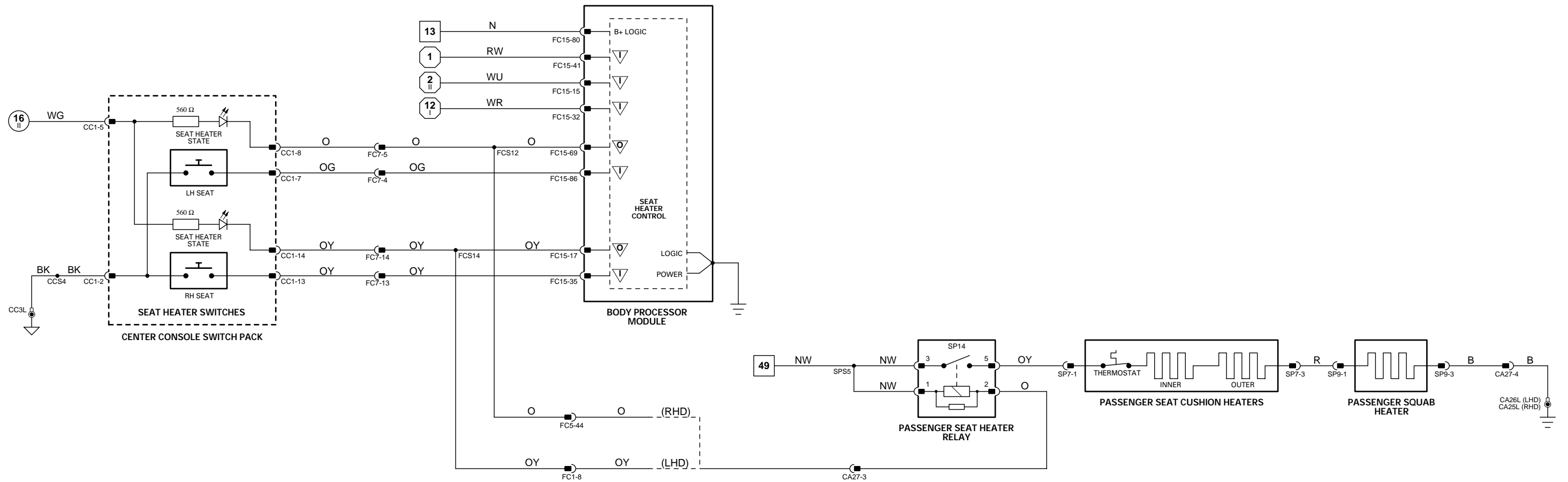
The following abbreviations are used to represent values for Control Module Pin-Out data

I	Input	SG	Sensor Ground	S	SCP Network	V	Voltage (DC)
O	Output	A	ACP Network	D	Serial and Encoded Data	Hz	Frequency
SS	Sensor Supply V	C	CAN (Network)	B+	Battery Voltage	kHz	Frequency x 1000

CAUTION: The information on this data page is furnished to aid the user in understanding circuit operation. THIS INFORMATION SHOULD BE USED FOR REFERENCE ONLY.

NOTE: The values listed are approximately those that can be expected at the control module connector pins with all circuit connections made and all components connected and fitted. "Active" means a load is applied or a switch is ON; "Inactive" means a load is not applied or a switch is OFF.

Refer to the front of this book for detailed information and illustrations regarding the location and identification of harnesses, relays, grounds, control modules and control module pins.



1 → 6 Fig. 01.1 1 II → 4 E Fig. 01.1 7 → 49 Fig. 01.2 50 → 88 Fig. 01.3 5 II → 49 II Fig. 01.4 50 E → 63 E Fig. 01.5 1 → 19 I Fig. 02.1

▽ Input ▽ Sensor Supply V ▽ ACP ▽ SCP
 ▽ Output ▽ Sensor Ground ▽ CAN ▽ Serial and Encoded Data

VARIANT: Heaters Only Front Passenger Seat Vehicles
 VIN RANGE: F20645 →
 DATE OF ISSUE: September 2000

CONTROL MODULE PIN OUT INFORMATION

REAR SEAT CONTROL MODULE

Pin	Description	Active	Inactive
I	BS1-11	LH LUMBAR SWITCH INFLATE	B+
I	BS2-3	GROUND	0 V
I	BS2-4	BATTERY POWER SUPPLY	GROUND
I	BS2-5	GROUND	B+
I	BS2-6	BATTERY POWER SUPPLY	B+
I	BS2-12	BATTERY POWER SUPPLY	B+
O	BS6-1	RH REAR SEAT LUMBAR PUMP FEED	B+
O	BS6-2	RH REAR SEAT LUMBER DEFLATE SOLENOID VALVE	B+
O	BS6-3	LH REAR SEAT MOTOR – FORE / AFT MOTOR	B+
O	BS6-4	LH REAR SEAT MOTOR – FORE / AFT MOTOR	B+
O	BS6-5	LH REAR SEAT – HEADREST MOTOR	B+
O	BS6-6	LH REAR SEAT – HEADREST MOTOR	B+
O	BS6-7	RH REAR SEAT MOTOR – FORE / AFT MOTOR	B+
O	BS6-8	RH REAR SEAT MOTOR – FORE / AFT MOTOR	B+
O	BS6-10	LH REAR SEAT LUMBAR PUMP FEED	B+
O	BS6-11	RH REAR SEAT – HEADREST MOTOR	B+
O	BS6-12	RH REAR SEAT – HEADREST MOTOR	B+
I	BS7-8	RH LUMBAR SWITCH – INFLATE REQUEST	B+
I	BS7-9	RH FORE / AFT SWITCH – AFT REQUEST	B+
I	BS7-10	RH FORE / AFT SWITCH – FORE REQUEST	B+
I	BS7-14	RH HEADREST SWITCH – LOWER REQUEST	B+
I	BS7-15	RH HEADREST SWITCH – RAISE REQUEST	B+
I	BS7-16	LH HEADREST SWITCH – LOWER REQUEST	B+
I	BS7-17	LH HEADREST SWITCH – RAISE REQUEST	B+
I	BS7-18	LH FORE / AFT SWITCH – AFT REQUEST	B+
I	BS7-19	LH FORE / AFT SWITCH – FORE REQUEST	B+
I	BS7-20	RH LUMBAR SWITCH – DEFLATE REQUEST	B+

Fig. 12.7

Component	Connector / Type / Color	Location / Access
SEAT CONTROL MODULE – REAR	BS1 / 22-WAY MULTILOCK 47 / BLUE BS2 / 12-WAY MULTILOCK 47 / BLUE BS6 / 12-WAY MULTILOCK 47 / WHITE BS7 / 22-WAY MULTILOCK 47 / WHITE	BELOW REAR CENTER CONSOLE
SEAT FORE / AFT MOTOR – LH REAR	BS21 / 3-WAY MULTILOCK 070 / WHITE	BELOW SEAT CUSHION
SEAT FORE / AFT MOTOR – RH REAR	BS22 / 3-WAY MULTILOCK 070 / WHITE	BELOW SEAT CUSHION
SEAT FORE / AFT SWITCH – LH REAR	BC3 / 10-WAY AMP MICRO QUAD LOCK / BLACK	REAR CENTER CONSOLE SWITCH PACK
SEAT FORE / AFT SWITCH – RH REAR	BC5 / 10-WAY AMP MICRO QUAD LOCK / BLACK	REAR CENTER CONSOLE SWITCH PACK
SEAT HEADREST MOTOR – LH REAR	BB3 / 6-WAY MULTILOCK 070 / YELLOW	REAR SEAT
SEAT HEADREST MOTOR – RH REAR	BX3 / 6-WAY MULTILOCK 070 / YELLOW	REAR SEAT
SEAT HEADREST SWITCH – LH REAR	BC4 / 10-WAY AMP MICRO QUAD LOCK / BLACK	REAR CENTER CONSOLE SWITCH PACK
SEAT HEADREST SWITCH – RH REAR	BC7 / 10-WAY AMP MICRO QUAD LOCK / BLACK	REAR CENTER CONSOLE SWITCH PACK
SEAT LUMBAR PUMP – LH REAR	BB4 / 3-WAY MULTILOCK 070 / YELLOW	REAR SEAT
SEAT LUMBAR PUMP – RH REAR	BX4 / 3-WAY MULTILOCK 070 / YELLOW	REAR SEAT
SEAT LUMBAR SWITCH – LH REAR	BC8 / 10-WAY AMP MICRO QUAD LOCK / BLACK	REAR CENTER CONSOLE SWITCH PACK
SEAT LUMBAR SWITCH – RH REAR	BC6 / 10-WAY AMP MICRO QUAD LOCK / BLACK	REAR CENTER CONSOLE SWITCH PACK

Relay	Case Color	Connector / Color	Location / Access
LUMBAR DEFLATE RELAY – LH	BLACK	BS10 / BLACK	RH HEELBOARD RELAYS / HEELBOARD COVER

Connector	Type / Color	Location / Access
BS3	6-WAY MULTILOCK 070 / WHITE	BELOW REAR SEAT CUSHION
BS4	20-WAY MULTILOCK 070 / WHITE	BELOW REAR CENTER CONSOLE SEAT SWITCHES
BS5	6-WAY MULTILOCK 070 / WHITE	BELOW REAR SEAT CUSHION
CA109	12-WAY MULTILOCK 070 / WHITE	BELOW REAR SEAT CUSHION

Ground	Location / Type
CA38L	EYELET (PAIR) – LH HEELBOARD POST GROUND SCREW
CA39L	EYELET (PAIR) – LH HEELBOARD POST GROUND SCREW
CA39R	EYELET (PAIR) – LH HEELBOARD POST GROUND SCREW

FOR CONTROL MODULE PIN OUT INFORMATION, UNFOLD PAGE TO LEFT.

The following abbreviations are used to represent values for Control Module Pin-Out data

I	Input	SG	Sensor Ground	S	SCP Network	V	Voltage (DC)
O	Output	A	ACP Network	D	Serial and Encoded Data	Hz	Frequency
SS	Sensor Supply V	C	CAN (Network)	B+	Battery Voltage	kHz	Frequency x 1000

CAUTION: The information on this data page is furnished to aid the user in understanding circuit operation. THIS INFORMATION SHOULD BE USED FOR REFERENCE ONLY.

NOTE: The values listed are approximately those that can be expected at the control module connector pins with all circuit connections made and all components connected and fitted. "Active" means a load is applied or a switch is ON; "Inactive" means a load is not applied or a switch is OFF.

Refer to the front of this book for detailed information and illustrations regarding the location and identification of harnesses, relays, grounds, control modules and control module pins.

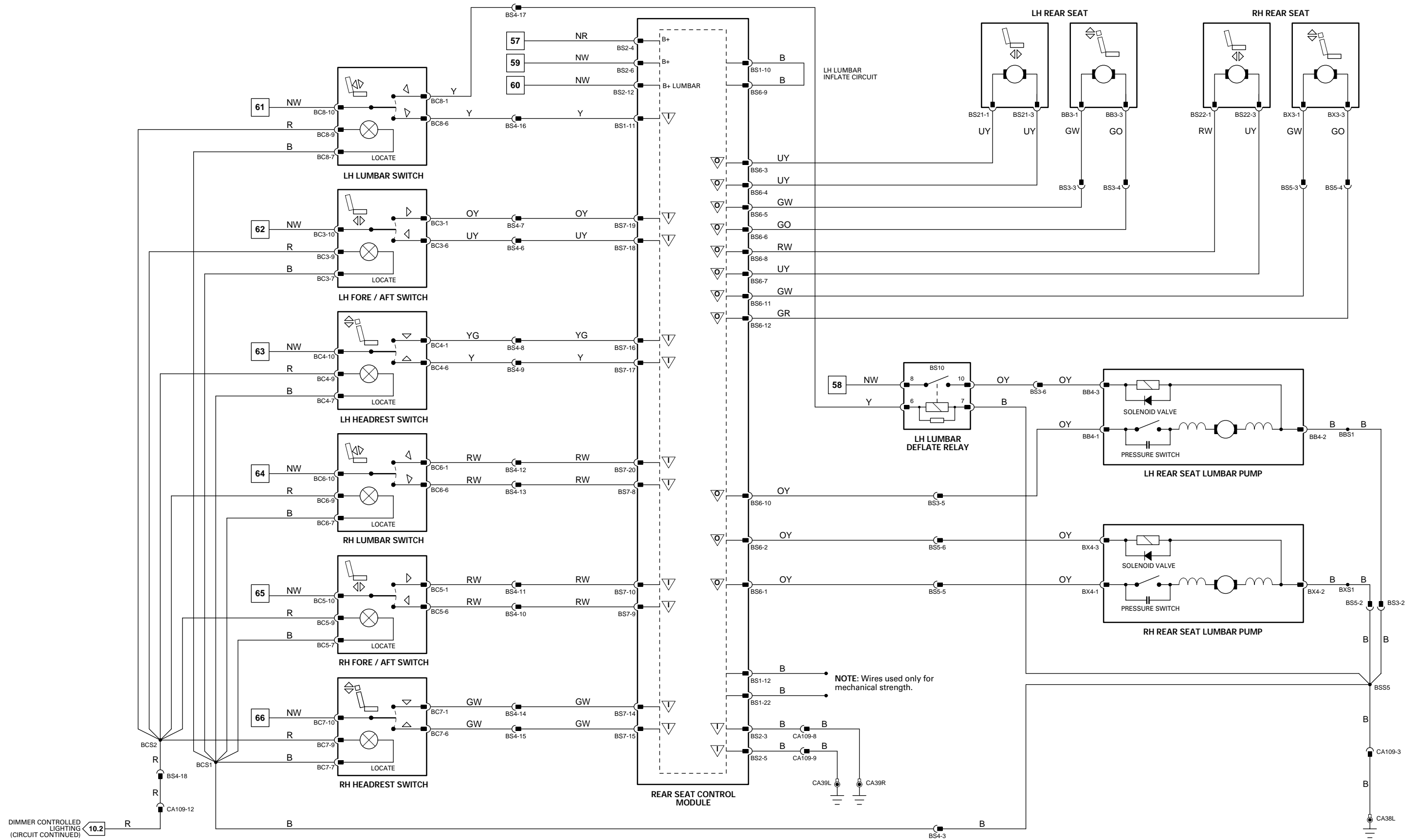


Fig. 12.8**COMPONENTS****Component**

SEAT CUSHION HEATER – LH REAR
 SEAT CUSHION HEATER – RH REAR
 SEAT HEATER SWITCH – LH REAR (LWB VEHICLES)
 SEAT HEATER SWITCH – RH REAR (LWB VEHICLES)
 SEAT HEATER TIMER – LH REAR
 SEAT HEATER TIMER – RH REAR
 SQUAB HEATER – LH REAR
 SQUAB HEATER – RH REAR

Connector / Type / Color

BB1 / 3-WAY MULTILOCK 070 / YELLOW
 BX1 / 3-WAY MULTILOCK 070 / YELLOW
 BC1 / 10-WAY AMP MICRO QUAD LOCK / BLACK
 BC2 / 10-WAY AMP MICRO QUAD LOCK / BLACK
 BS8 / 5-WAY RELAY BASE / BROWN
 BS9 / 5-WAY RELAY BASE / BROWN
 BB5 / 3-WAY MULTILOCK 070 / GREY
 BX5 / 3-WAY MULTILOCK 070 / GREY

Location / Access

REAR SEAT
 REAR SEAT
 REAR CENTER CONSOLE SWITCH PACK
 REAR CENTER CONSOLE SWITCH PACK
 RH HEELBOARD / HEELBOARD COVER
 RH HEELBOARD / HEELBOARD COVER
 REAR SEAT
 REAR SEAT

HARNESS-TO-HARNESS CONNECTORS**Connector**

BS3
 BS4
 BS5
 CA109

Type / Color

6-WAY MULTILOCK 070 / WHITE
 20-WAY MULTILOCK 070 / WHITE
 6-WAY MULTILOCK 070 / WHITE
 12-WAY MULTILOCK 070 / WHITE

Location / Access

BELOW REAR SEAT CUSHION
 BELOW REAR CENTER CONSOLE SEAT SWITCHES
 BELOW REAR SEAT CUSHION
 BELOW REAR SEAT CUSHION

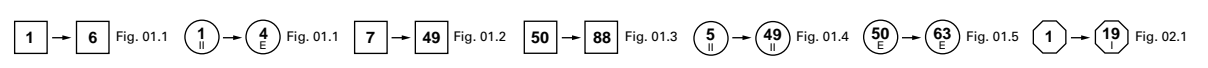
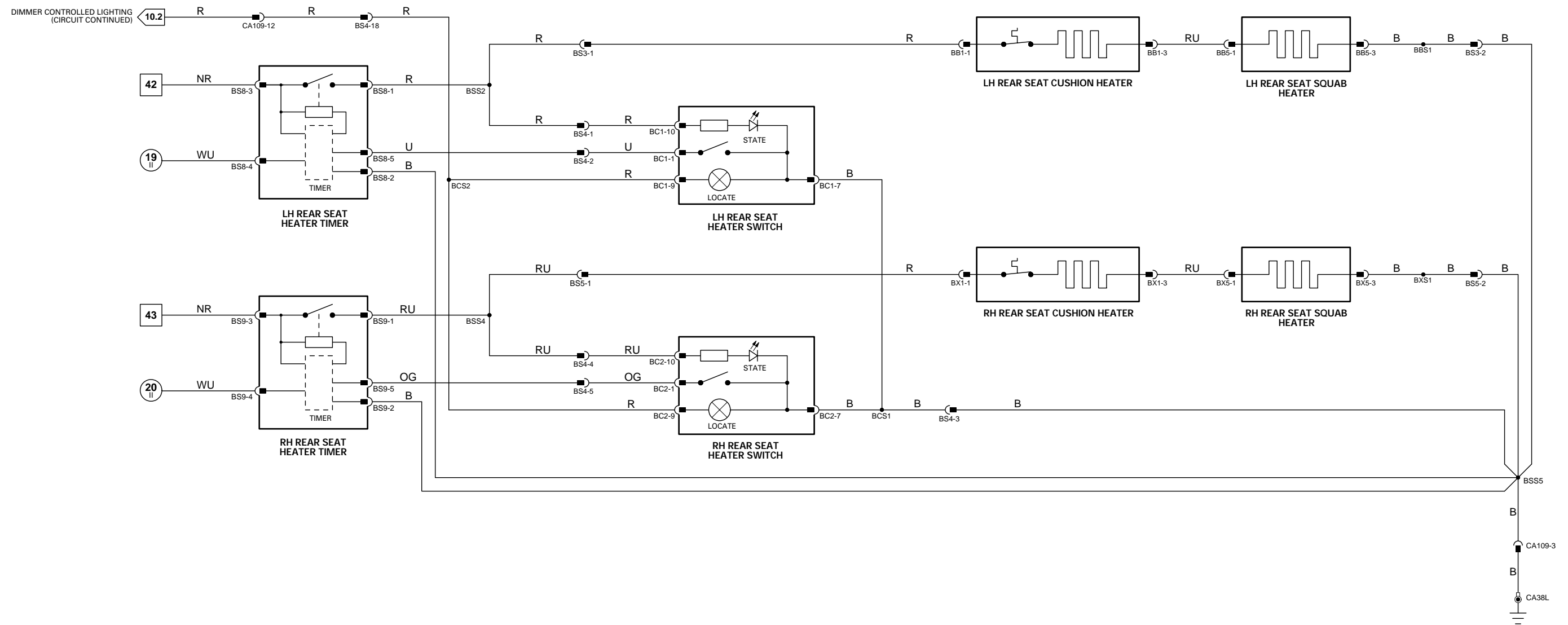
GROUNDS**Ground**

CA38L

Location / Type

EYELET (PAIR) – LH HEELBOARD POST GROUND SCREW

Refer to the front of this book for detailed information and illustrations regarding the location and identification of harnesses, relays, grounds, control modules and control module pins.



VARIANT: Powered / Heated Rear Seat Vehicles
 VIN RANGE: F20645 →
 DATE OF ISSUE: September 2000

Fig. 12.9**COMPONENTS****Component**

SEAT CUSHION HEATER – LH REAR
 SEAT CUSHION HEATER – RH REAR
 SEAT HEATER SWITCH – LH REAR (LWB VEHICLES)
 SEAT HEATER SWITCH – RH REAR (LWB VEHICLES)
 SEAT HEATER TIMER – LH REAR
 SEAT HEATER TIMER – RH REAR
 SQUAB HEATER – LH REAR
 SQUAB HEATER – RH REAR

Connector / Type / Color

BB1 / 3-WAY MULTILOCK 070 / YELLOW
 BX1 / 3-WAY MULTILOCK 070 / YELLOW
 BC1 / 10-WAY AMP MICRO QUAD LOCK / BLACK
 BC2 / 10-WAY AMP MICRO QUAD LOCK / BLACK
 BS8 / 5-WAY RELAY BASE / BROWN
 BS9 / 5-WAY RELAY BASE / BROWN
 BB5 / 3-WAY MULTILOCK 070 / GREY
 BX5 / 3-WAY MULTILOCK 070 / GREY

Location / Access

REAR SEAT
 REAR SEAT
 REAR CENTER CONSOLE SWITCH PACK
 REAR CENTER CONSOLE SWITCH PACK
 RH HEELBOARD / HEELBOARD COVER
 RH HEELBOARD / HEELBOARD COVER
 REAR SEAT
 REAR SEAT

HARNESSTO-HARNESSTO CONNECTORS**Connector**

BS11
 BS12
 BS13
 BS15
 CA109

Type / Color

10-WAY AMP MICRO QUAD LOCK / BLACK
 10-WAY AMP MICRO QUAD LOCK / NATURAL
 3-WAY MULTILOCK 070 / YELLOW
 3-WAY MULTILOCK 070 / YELLOW
 12-WAY MULTILOCK 070 / WHITE

Location / Access

BEHIND REAR CENTER CONSOLE SWITCH PACK
 BEHIND REAR CENTER CONSOLE SWITCH PACK
 BELOW REAR SEAT CUSHION
 BELOW REAR SEAT CUSHION
 BELOW REAR SEAT CUSHION

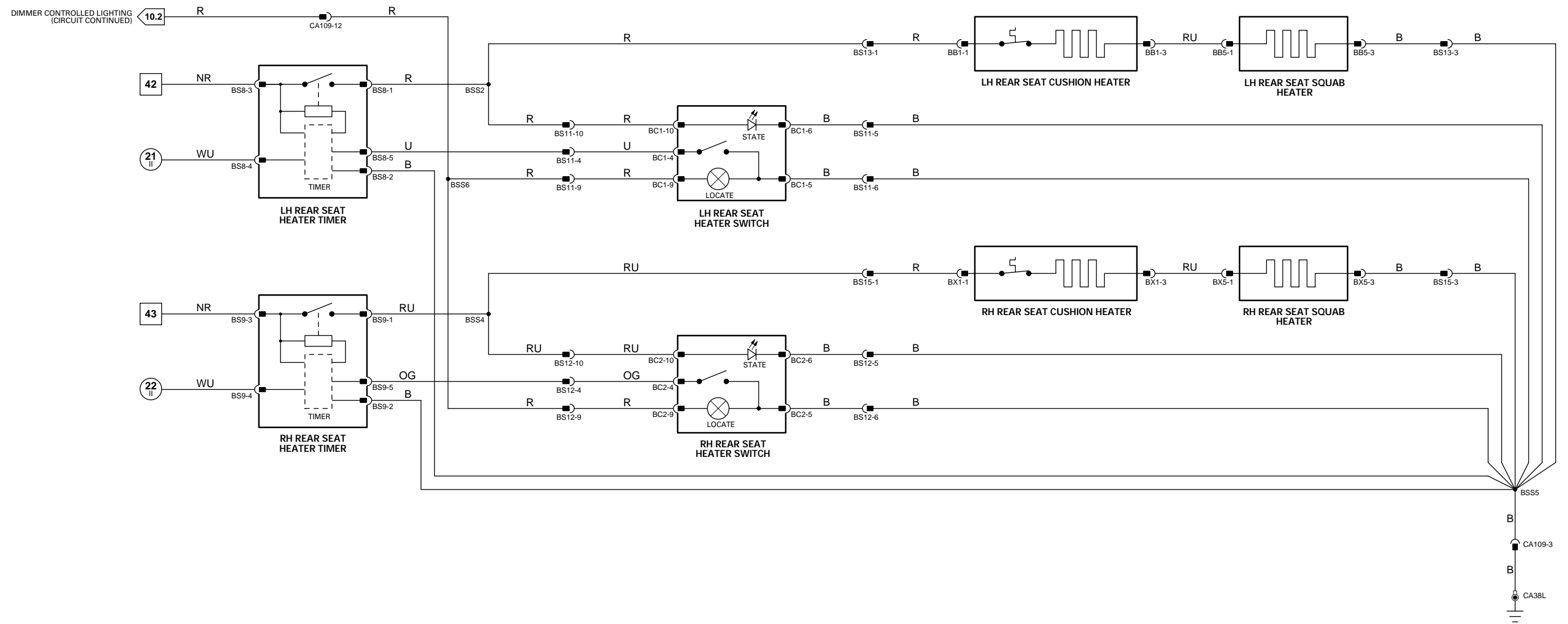
GROUNDS**Ground**

CA38L

Location / Type

EYELET (PAIR) – LH HEELBOARD POST GROUND SCREW

Refer to the front of this book for detailed information and illustrations regarding the location and identification of harnesses, relays, grounds, control modules and control module pins.



CONTROL MODULE PIN OUT INFORMATION

BODY PROCESSOR MODULE

Pin	Description	Active	Inactive
I FC15-5	TRUNK RELEASE REQUEST	GROUND (MOMENTARY)	B+
I FC15-15	IGNITION SWITCHED GROUND	GROUND	B+
I FC15-32	IGNITION SWITCHED GROUND	GROUND	B+
I FC15-33	IGNITION SWITCHED GROUND	GROUND	B+
I FC15-41	STARTER ENGAGE REQUEST	GROUND (CRANKING)	B+
I FC15-55	VALET REQUEST	GROUND (MOMENTARY)	B+
I FC15-58	NOT IN PARK MICROSWITCH STATUS	GROUND (PARK)	B+ (NOT IN PARK)
I FC15-63	CENTRAL LOCKING REQUEST	GROUND (MOMENTARY)	B+
I FC15-67	KEY IN IGNITION	GROUND (KEY IN)	B+ (KEY OUT)
O FC15-71	DOOR LOCKING RELAY ACTIVATE	GROUND (PULSE)	B+
I FC15-80	BATTERY SUPPLY VOLTAGE	B+	B+
S FC15-84	SCP NETWORK	2 – 1600 Hz	B+
S FC15-85	SCP NETWORK	2 – 1600 Hz	B+

DRIVER DOOR CONTROL MODULE

Pin	Description	Active	Inactive
I DD10-1	BATTERY POWER SUPPLY	B+	B+
O DD10-5	DRIVERS DOOR LOCK ACTUATOR MOTOR UNLOCK	B+	GROUND
O DD10-6	DRIVERS DOOR LOCK ACTUATOR MOTOR LOCK	B+	GROUND
I DD10-8	LOGIC GROUND	GROUND	GROUND
S DD10-9	SCP NETWORK	2 – 1600 Hz	GROUND
S DD10-16	SCP NETWORK	2 – 1600 Hz	GROUND
I DD10-17	POWER GROUND	GROUND	GROUND
I DD11-4	DRIVER DOOR LOCK BARREL UNLOCK REQUEST	B+ (MOMENTARY)	GROUND
I DD11-12	DRIVER DOOR LOCK BARREL LOCK REQUEST	B+ (MOMENTARY)	GROUND
I DD11-20	DRIVER DOOR SWITCH	GROUND (DOOR OPEN)	B+

DRIVER REAR DOOR CONTROL MODULE

Pin	Description	Active	Inactive
I RD10-1	BATTERY POWER SUPPLY	B+	B+
O RD10-5	DRIVER REAR DOOR LOCK ACTUATOR MOTOR UNLOCK	B+	GROUND
O RD10-6	DRIVER REAR DOOR LOCK ACTUATOR MOTOR LOCK	B+	GROUND
I RD10-8	LOGIC GROUND	GROUND	GROUND
S RD10-9	SCP NETWORK	2 – 1600 Hz	GROUND
S RD10-16	SCP NETWORK	2 – 1600 Hz	GROUND
I RD10-17	POWER GROUND	GROUND	GROUND
I RD10-19	MODULE IDENTIFICATION	GROUND	GROUND
I RD11-7	MODULE IDENTIFICATION	GROUND	GROUND
I RD11-20	DRIVER REAR DOOR SWITCH	GROUND (DOOR OPEN)	B+

PASSENGER DOOR CONTROL MODULE

Pin	Description	Active	Inactive
I PD10-1	BATTERY POWER SUPPLY	B+	B+
O PD10-5	PASSENGER DOOR LOCK ACTUATOR MOTOR UNLOCK	B+	GROUND
O PD10-6	PASSENGER DOOR LOCK ACTUATOR MOTOR LOCK	B+	GROUND
I PD10-8	LOGIC GROUND	GROUND	GROUND
S PD10-9	SCP NETWORK	2 – 1600 Hz	GROUND
S PD10-16	SCP NETWORK	2 – 1600 Hz	GROUND
I PD10-17	POWER GROUND	GROUND	B+
I PD11-20	PASSENGER DOOR SWITCH	GROUND (DOOR OPEN)	B+

PASSENGER REAR DOOR CONTROL MODULE

Pin	Description	Active	Inactive
I RP10-1	BATTERY POWER SUPPLY	B+	B+
O RP10-5	PASSENGER REAR DOOR LOCK ACTUATOR MOTOR UNLOCK	B+	GROUND
O RP10-6	PASSENGER REAR DOOR LOCK ACTUATOR MOTOR LOCK	B+	GROUND
I RP10-8	LOGIC GROUND	GROUND	GROUND
S RP10-9	SCP NETWORK	2 – 1600 Hz	GROUND
S RP10-16	SCP NETWORK	2 – 1600 Hz	GROUND
I RP10-17	POWER GROUND	GROUND	GROUND
I RP11-20	PASSENGER REAR DOOR SWITCH	GROUND (DOOR OPEN)	B+

SECURITY AND LOCKING CONTROL MODULE

Pin	Description	Active	Inactive
O BT1-1	TRUNK RELEASE ACTUATOR ACTIVATE	B+ (PULSE)	GROUND
O BT1-2	FUEL FILLER FLAP UNLOCK RELAY ACTIVATE	B+ (PULSE)	GROUND
S BT1-8	SCP NETWORK	2 – 1600 Hz	GROUND
O BT1-10	FUEL FILLER FLAP LOCK RELAY ACTIVATE	B+	GROUND
I BT1-13	LOGIC GROUND	GROUND	GROUND
I BT1-14	LOGIC GROUND	GROUND	GROUND
I BT1-15	BATTERY POWER SUPPLY	B+	B+
S BT1-16	SCP NETWORK	2 – 1600 Hz	B+
I BT2-3	TRUNK RELEASE REQUEST	GROUND (MOMENTARY)	B+
I BT2-5	TRUNK SECURITY SWITCH STATUS	GROUND (INTRUSION)	B+ (SECURE)
I BT2-7	DRIVER DOOR LOCK STATUS		
I BT2-19	PASSENGER DOOR LOCK STATUS		
I BT6-1	KEY FOB ANTENNA		
I BT6-2	KEY FOB ANTENNA SHIELD	GROUND	GROUND

NOTE: Refer to the Appendix at the rear of this book for CAN and SCP Network messages.

The following abbreviations are used to represent values for Control Module Pin-Out data

I	Input	SG	Sensor Ground	S	SCP Network	V	Voltage (DC)
O	Output	A	ACP Network	D	Serial and Encoded Data	Hz	Frequency
SS	Sensor Supply V	C	CAN (Network)	B+	Battery Voltage	kHz	Frequency x 1000

CAUTION: The information on this data page is furnished to aid the user in understanding circuit operation. THIS INFORMATION SHOULD BE USED FOR REFERENCE ONLY.

NOTE: The values listed are approximately those that can be expected at the control module connector pins with all circuit connections made and all components connected and fitted. "Active" means a load is applied or a switch is ON; "Inactive" means a load is not applied or a switch is OFF.

Fig. 13.1

COMPONENTS

Component	Connector / Type / Color	Location / Access
BODY PROCESSOR MODULE	FC15 / 14-WAY AMP EEEC / GREY	BULKHEAD / BEHIND GLOVE BOX
CENTRAL LOCKING SWITCH (CENTER CONSOLE SWITCH PACK)	CC1 / 16-WAY FORD IDC S.U. / BLACK	CENTER CONSOLE SWITCH PACK
DOOR CONTROL MODULE – DRIVER	DD10 / 22-WAY FORD 2.8 TIMER / BLUE DD11 / 22-WAY FORD 2.8 TIMER / BLACK	DOOR CASING / TRIM PANEL
DOOR CONTROL MODULE – DRIVER REAR	RD10 / 22-WAY FORD 2.8 TIMER / BLUE RD11 / 22-WAY FORD 2.8 TIMER / BLACK	DOOR CASING / TRIM PANEL
DOOR CONTROL MODULE – PASSENGER	PD10 / 22-WAY FORD 2.8 TIMER / BLUE PD11 / 22-WAY FORD 2.8 TIMER / BLACK	DOOR CASING / TRIM PANEL
DOOR CONTROL MODULE – PASSENGER REAR	RP10 / 22-WAY FORD 2.8 TIMER / BLUE RP11 / 22-WAY FORD 2.8 TIMER / BLACK	DOOR CASING / TRIM PANEL
DOOR LOCK ACTUATOR – DRIVER	DD3 / 13-WAY ECONOSEAL III LC / BLACK	DOOR CASING / TRIM PANEL
DOOR LOCK ACTUATOR – DRIVER REAR	RD3 / 6-WAY ECONOSEAL III LC / BLACK	DOOR CASING / TRIM PANEL
DOOR LOCK ACTUATOR – PASSENGER	PD3 / 13-WAY ECONOSEAL III LC / BLACK	DOOR CASING / TRIM PANEL
DOOR LOCK ACTUATOR – PASSENGER REAR	RP3 / 6-WAY ECONOSEAL III LC / BLACK	DOOR CASING / TRIM PANEL
DOOR LOCK SWITCHES – DRIVER	DD3 / 13-WAY ECONOSEAL III LC / BLACK	DOOR CASING / TRIM PANEL
DOOR SWITCH – DRIVER	DD3 / 13-WAY ECONOSEAL III LC / BLACK	DOOR CASING / TRIM PANEL
DOOR SWITCH – DRIVER REAR	RD3 / 6-WAY ECONOSEAL III LC / BLACK	DOOR CASING / TRIM PANEL
DOOR SWITCH – PASSENGER	PD3 / 13-WAY ECONOSEAL III LC / BLACK	DOOR CASING / TRIM PANEL
DOOR SWITCH – PASSENGER REAR	RP3 / 6-WAY ECONOSEAL III LC / BLACK	DOOR CASING / TRIM PANEL
FUEL FILLER FLAP LOCK ACTUATOR	BT16 / 2-WAY LABINAL / NATURAL	TRUNK / LH FRONT
IGNITION SWITCH (KEY-IN SWITCH)	FC4 / 8-WAY MULTILOCK 070 / WHITE	STEERING COLUMN
KEY FOB ANTENNA	BT33 / 1-WAY COAXIAL CONNECTOR / BLACK	TOP OF BACKLIGHT
NOT-IN-PARK MICROSWITCH	CC13 / 3-WAY MULTILOCK 070 / WHITE	CENTER CONSOLE ASSEMBLY
SECURITY AND LOCKING CONTROL MODULE	BT1 / 16-WAY FORD 2.8 TIMER / BLACK BT2 / 26-WAY FORD IDC / BLACK BT6 / 2-WAY MINI UHF / METALLIC	BELOW TRUNK FUSE BOX
SPLICE HEADER – CA223	CA223 / 20-WAY SUMITOMO SPLICE HEADER / BLACK	RH HEELBOARD / HEELBOARD COVER
TRUNK RELEASE ACTUATOR	BT43 / 2-WAY LABINAL / BROWN	BEHIND TRUNK LID LINER
TRUNK RELEASE SWITCH	BT42 / 2-WAY MULTILOCK 040 / GREEN	BEHIND TRUNK LID LINER
TRUNK RELEASE SWITCH (FASCIA SWITCH PACK)	FC14 / 6-WAY JAE IL-AG5 / GREEN	FASCIA SWITCH PACK
TRUNK SWITCH	BT41 / 2-WAY AUGAT 1.6 / BLACK	BEHIND TRUNK LID LINER
VALET SWITCH (CENTER CONSOLE SWITCH PACK)	CC1 / 16-WAY FORD IDC S.U. / BLACK	CENTER CONSOLE SWITCH PACK

RELAYS

Relay	Case Color	Connector / Color	Location / Access
DOOR LOCKING RELAY	BLACK	CA50 / BLACK	LH HEELBOARD RELAYS / HEELBOARD COVER
FUEL FILLER FLAP LOCK RELAY	BLACK	BT23 / BLACK	TRUNK RELAYS / TRUNK
FUEL FILLER FLAP UNLOCK RELAY	BLACK	BT23 / BLACK	TRUNK RELAYS / TRUNK

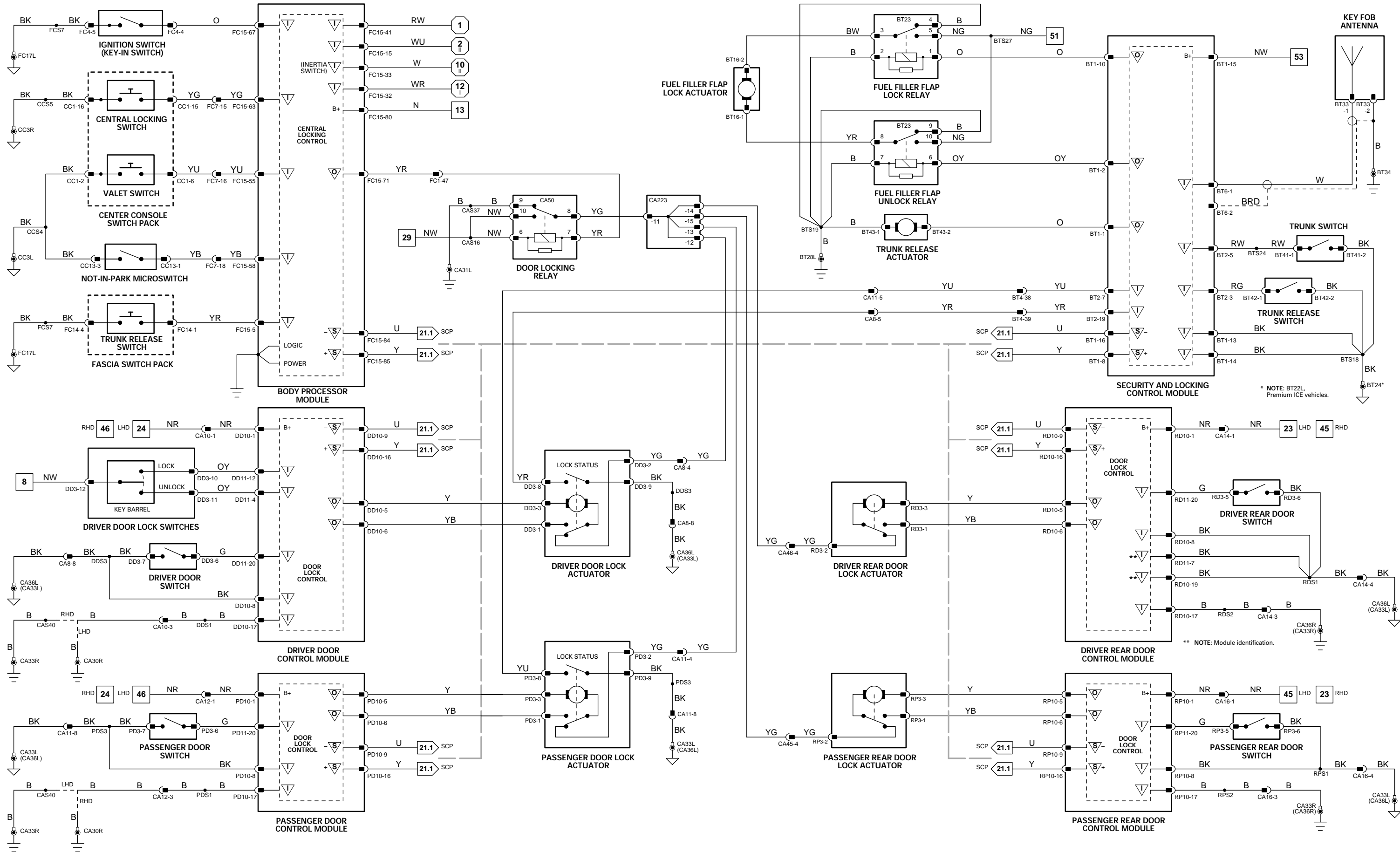
HARNESS-TO-HARNESS CONNECTORS

Connector	Type / Color	Location / Access
BT4	54-WAY THROUGH PANEL / GREY	BELOW PARCEL SHELF / TRUNK / REAR BULKHEAD / RH SIDE
CA8	20-WAY MULTILOCK 070 / WHITE	DRIVER 'A' POST / DOOR HARNESS GAITER
CA10	8-WAY MULTILOCK 070 / YELLOW	DRIVER 'A' POST / DOOR HARNESS GAITER
CA11	20-WAY MULTILOCK 070 / WHITE	PASSENGER 'A' POST / DOOR HARNESS GAITER
CA11	20-WAY MULTILOCK 070 / WHITE	PASSENGER 'A' POST / DOOR HARNESS GAITER
CA12	8-WAY MULTILOCK 070 / YELLOW	PASSENGER 'A' POST / DOOR HARNESS GAITER
CA14	6-WAY MULTILOCK 070 / WHITE	DRIVER 'B/C' POST / DOOR HARNESS GAITER
CA16	6-WAY MULTILOCK 070 / WHITE	PASSENGER 'B/C' POST / DOOR HARNESS GAITER
CA45	4-WAY MULTILOCK 070 / WHITE	PASSENGER 'B/C' POST / DOOR HARNESS GAITER
CA46	4-WAY MULTILOCK 070 / WHITE	DRIVER 'B/C' POST / DOOR HARNESS GAITER
FC1	54-WAY THROUGH PANEL CONNECTOR / GREY	BELOW PASSENGER SIDE AIR VENT / GLOVE BOX ASSEMBLY
FC7	20-WAY MULTILOCK 070 / YELLOW	ABOVE DIMMER MODULE / COIN TRAY

GROUNDS

Ground	Location / Type
BT22L*	EYELET (PAIR) – TRUNK / RH CENTER GROUND STUD (*PREMIUM ICE)
BT24*	EYELET (SINGLE) – TRUNK / RH CENTER GROUND STUD (*STANDARD ICE)
BT28L	EYELET (PAIR) – TRUNK / RH CENTER GROUND STUD
BT34	EYELET (SINGLE) – KEY FOB ANTENNA GROUND / BACKLIGHT / CENTER
CA30R	EYELET (PAIR) – LH 'A' POST GROUND SCREW
CA31L	EYELET (PAIR) – RH DRIVE SHAFT TUNNEL GROUND STUD
CA33L	EYELET (PAIR) – RH 'A' POST GROUND SCREW
CA33R	EYELET (PAIR) – RH 'A' POST GROUND SCREW
CA36L	EYELET (PAIR) – LH 'A' POST GROUND SCREW
CA36R	EYELET (PAIR) – LH 'A' POST GROUND SCREW
CC3L	EYELET (PAIR) – RH FRONT BULKHEAD STUD / CABIN SIDE
CC3R	EYELET (PAIR) – RH FRONT BULKHEAD STUD / CABIN SIDE
FC17L	EYELET (PAIR) – EMS BULKHEAD GROUND STUD

FOR CONTROL MODULE PIN OUT INFORMATION, UNFOLD PAGE TO LEFT.



* NOTE: BT22L Premium ICE vehicles.

** NOTE: Module identification.

1 → 6 Fig. 01.1
 1 → 4 Fig. 01.1
 7 → 49 Fig. 01.2
 50 → 88 Fig. 01.3
 5 → 49 Fig. 01.4
 50 → 63 Fig. 01.5
 1 → 19 Fig. 02.1

▽ Input ▽ Sensor Supply V ▽ ACP ▽ SCP
 ▽ Output ▽ Sensor Ground ▽ CAN ▽ Serial and Encoded Data

VARIANT: ROW Vehicles
VIN RANGE: F20645 →
DATE OF ISSUE: September 2000

CONTROL MODULE PIN OUT INFORMATION

BODY PROCESSOR MODULE

Pin	Description	Active	Inactive
I FC15-5	TRUNK RELEASE REQUEST	GROUND (MOMENTARY)	B+
I FC15-15	IGNITION SWITCHED GROUND	GROUND	B+
I FC15-32	IGNITION SWITCHED GROUND	GROUND	B+
I FC15-33	IGNITION SWITCHED GROUND	GROUND	B+
I FC15-41	STARTER ENGAGE REQUEST	GROUND (CRANKING)	B+
I FC15-55	VALET REQUEST	GROUND (MOMENTARY)	B+
I FC15-58	NOT IN PARK MICROSWITCH STATUS	GROUND (PARK)	B+ (NOT IN PARK)
I FC15-63	CENTRAL LOCKING REQUEST	GROUND (MOMENTARY)	B+
I FC15-67	KEY IN IGNITION	GROUND (KEY IN)	B+ (KEY OUT)
O FC15-71	DOOR LOCKING RELAY ACTIVATE	GROUND (PULSE)	B+
I FC15-80	BATTERY SUPPLY VOLTAGE	B+	B+
S FC15-84	SCP NETWORK	2 – 1600 Hz	
S FC15-85	SCP NETWORK	2 – 1600 Hz	

DRIVER DOOR CONTROL MODULE

Pin	Description	Active	Inactive
I DD10-1	BATTERY POWER SUPPLY	B+	B+
O DD10-5	DRIVERS DOOR LOCK ACTUATOR MOTOR UNLOCK	B+	GROUND
I DD10-8	LOGIC GROUND	GROUND	GROUND
S DD10-9	SCP NETWORK	2 – 1600 Hz	
S DD10-16	SCP NETWORK	2 – 1600 Hz	
I DD10-17	POWER GROUND	GROUND	GROUND
I DD11-4	DRIVER DOOR LOCK BARREL UNLOCK REQUEST	B+ (MOMENTARY)	GROUND
I DD11-12	DRIVER DOOR LOCK BARREL LOCK REQUEST	B+ (MOMENTARY)	GROUND
I DD11-20	DRIVER DOOR SWITCH	GROUND (DOOR OPEN)	B+

DRIVER REAR DOOR CONTROL MODULE

Pin	Description	Active	Inactive
I RD10-1	BATTERY POWER SUPPLY	B+	B+
O RD10-5	DRIVER REAR DOOR LOCK ACTUATOR MOTOR UNLOCK	B+	GROUND
I RD10-8	LOGIC GROUND	GROUND	GROUND
S RD10-9	SCP NETWORK	2 – 1600 Hz	
S RD10-16	SCP NETWORK	2 – 1600 Hz	
I RD10-17	POWER GROUND	GROUND	GROUND
I RD10-19	MODULE IDENTIFICATION	GROUND	GROUND
I RD11-7	MODULE IDENTIFICATION	GROUND	GROUND
I RD11-20	DRIVER REAR DOOR SWITCH	GROUND (DOOR OPEN)	B+

PASSENGER DOOR CONTROL MODULE

Pin	Description	Active	Inactive
I PD10-1	BATTERY POWER SUPPLY	B+	B+
O PD10-5	PASSENGER DOOR LOCK ACTUATOR MOTOR UNLOCK	B+	GROUND
I PD10-8	LOGIC GROUND	GROUND	GROUND
S PD10-9	SCP NETWORK	2 – 1600 Hz	
S PD10-16	SCP NETWORK	2 – 1600 Hz	
I PD10-17	POWER GROUND	GROUND	GROUND
I PD11-20	PASSENGER DOOR SWITCH	GROUND (DOOR OPEN)	B+

PASSENGER REAR DOOR CONTROL MODULE

Pin	Description	Active	Inactive
I RP10-1	BATTERY POWER SUPPLY	B+	B+
O RP10-5	PASSENGER REAR DOOR LOCK ACTUATOR MOTOR UNLOCK	B+	GROUND
I RP10-8	LOGIC GROUND	GROUND	GROUND
S RP10-9	SCP NETWORK	2 – 1600 Hz	
S RP10-16	SCP NETWORK	2 – 1600 Hz	
I RP10-17	POWER GROUND	GROUND	GROUND
I RP11-20	PASSENGER REAR DOOR SWITCH	GROUND (DOOR OPEN)	B+

SECURITY AND LOCKING CONTROL MODULE

Pin	Description	Active	Inactive
O BT1-1	TRUNK RELEASE ACTUATOR ACTIVATE	B+ (PULSE)	GROUND
O BT1-2	FUEL FILLER FLAP UNLOCK RELAY ACTIVATE	B+ (PULSE)	GROUND
S BT1-8	SCP NETWORK	2 – 1600 Hz	
O BT1-10	FUEL FILLER FLAP LOCK RELAY ACTIVATE	B+	GROUND
I BT1-13	LOGIC GROUND	GROUND	GROUND
I BT1-14	LOGIC GROUND	GROUND	GROUND
I BT1-15	BATTERY POWER SUPPLY	B+	GROUND
S BT1-16	SCP NETWORK	2 – 1600 Hz	
I BT2-3	TRUNK RELEASE REQUEST	GROUND (MOMENTARY)	B+
I BT2-5	TRUNK SECURITY SWITCH STATUS	GROUND (INTRUSION)	B+ (SECURE)
I BT2-7	DRIVER DOOR LOCK STATUS		
I BT2-19	PASSENGER DOOR LOCK STATUS		
I BT6-1	KEY FOB ANTENNA		
I BT6-2	KEY FOB ANTENNA SHIELD	GROUND	GROUND

NOTE: Refer to the Appendix at the rear of this book for CAN and SCP Network messages.

The following abbreviations are used to represent values for Control Module Pin-Out data

I	Input	SG	Sensor Ground	S	SCP Network	V	Voltage (DC)
O	Output	A	ACP Network	D	Serial and Encoded Data	Hz	Frequency
SS	Sensor Supply V	C	CAN (Network)	B+	Battery Voltage	kHz	Frequency x 1000

CAUTION: The information on this data page is furnished to aid the user in understanding circuit operation. THIS INFORMATION SHOULD BE USED FOR REFERENCE ONLY.

NOTE: The values listed are approximately those that can be expected at the control module connector pins with all circuit connections made and all components connected and fitted. "Active" means a load is applied or a switch is ON; "Inactive" means a load is not applied or a switch is OFF.

Fig. 13.2

COMPONENTS

Component	Connector / Type / Color	Location / Access
BODY PROCESSOR MODULE	FC15 / 14-WAY AMP EEEEC / GREY	BULKHEAD / BEHIND GLOVE BOX
CENTRAL LOCKING SWITCH (CENTER CONSOLE SWITCH PACK)	CC1 / 16-WAY FORD IDC S.U. / BLACK	CENTER CONSOLE SWITCH PACK
DOOR CONTROL MODULE – DRIVER	DD10 / 22-WAY FORD 2.8 TIMER / BLUE DD11 / 22-WAY FORD 2.8 TIMER / BLACK	DOOR CASING / TRIM PANEL
DOOR CONTROL MODULE – DRIVER REAR	RD10 / 22-WAY FORD 2.8 TIMER / BLUE RD11 / 22-WAY FORD 2.8 TIMER / BLACK	DOOR CASING / TRIM PANEL
DOOR CONTROL MODULE – PASSENGER	PD10 / 22-WAY FORD 2.8 TIMER / BLUE PD11 / 22-WAY FORD 2.8 TIMER / BLACK	DOOR CASING / TRIM PANEL
DOOR CONTROL MODULE – PASSENGER REAR	RP10 / 22-WAY FORD 2.8 TIMER / BLUE RP11 / 22-WAY FORD 2.8 TIMER / BLACK	DOOR CASING / TRIM PANEL
DOOR LOCK ACTUATOR – DRIVER	DD3 / 13-WAY ECONOSEAL III LC / BLACK	DOOR CASING / TRIM PANEL
DOOR LOCK ACTUATOR – DRIVER REAR	RD3 / 6-WAY ECONOSEAL III LC / BLACK	DOOR CASING / TRIM PANEL
DOOR LOCK ACTUATOR – PASSENGER	PD3 / 13-WAY ECONOSEAL III LC / BLACK	DOOR CASING / TRIM PANEL
DOOR LOCK ACTUATOR – PASSENGER REAR	RP3 / 6-WAY ECONOSEAL III LC / BLACK	DOOR CASING / TRIM PANEL
DOOR LOCK SWITCHES – DRIVER	DD3 / 13-WAY ECONOSEAL III LC / BLACK	DOOR CASING / TRIM PANEL
DOOR SWITCH – DRIVER	DD3 / 13-WAY ECONOSEAL III LC / BLACK	DOOR CASING / TRIM PANEL
DOOR SWITCH – DRIVER REAR	RD3 / 6-WAY ECONOSEAL III LC / BLACK	DOOR CASING / TRIM PANEL
DOOR SWITCH – PASSENGER	PD3 / 13-WAY ECONOSEAL III LC / BLACK	DOOR CASING / TRIM PANEL
DOOR SWITCH – PASSENGER REAR	RP3 / 6-WAY ECONOSEAL III LC / BLACK	DOOR CASING / TRIM PANEL
FUEL FILLER FLAP LOCK ACTUATOR	BT16 / 2-WAY LABINAL / NATURAL	TRUNK / LH FRONT
IGNITION SWITCH (KEY-IN SWITCH)	FC4 / 8-WAY MULTILOCK 070 / WHITE	STEERING COLUMN
KEY FOB ANTENNA	BT33 / 1-WAY COAXIAL CONNECTOR / BLACK	TOP OF BACKLIGHT
NOT-IN-PARK MICROSWITCH	CC13 / 3-WAY MULTILOCK 070 / WHITE	CENTER CONSOLE ASSEMBLY
SECURITY AND LOCKING CONTROL MODULE	BT1 / 16-WAY FORD 2.8 TIMER / WHITE BT2 / 26-WAY FORD IDC / BLACK BT6 / 2-WAY MINI UHF / METALLIC	BELOW TRUNK FUSE BOX
SPlice Header – CA223	CA223 / 20-WAY SUMITOMO SPlice Header / BLACK	RH HEELBOARD / HEELBOARD COVER
TRUNK RELEASE ACTUATOR	BT43 / 2-WAY LABINAL / BROWN	BEHIND TRUNK LID LINER
TRUNK RELEASE SWITCH (FASCIA SWITCH PACK)	BT42 / 2-WAY MULTILOCK 040 / GREEN FC14 / 6-WAY JAE IL-AG5 / GREEN	BEHIND TRUNK LID LINER FASCIA SWITCH PACK
TRUNK SWITCH	BT41 / 2-WAY AUGAT 1.6 / BLACK	BEHIND TRUNK LID LINER
VALET SWITCH (CENTER CONSOLE SWITCH PACK)	CC1 / 16-WAY FORD IDC S.U. / BLACK	CENTER CONSOLE SWITCH PACK

RELAYS

Relay	Case Color	Connector / Color	Location / Access
DOOR LOCKING RELAY	BLACK	CA50 / BLACK	LH HEELBOARD RELAYS / HEELBOARD COVER
FUEL FILLER FLAP LOCK RELAY	BLACK	BT23 / BLACK	TRUNK RELAYS / TRUNK
FUEL FILLER FLAP UNLOCK RELAY	BLACK	BT23 / BLACK	TRUNK RELAYS / TRUNK

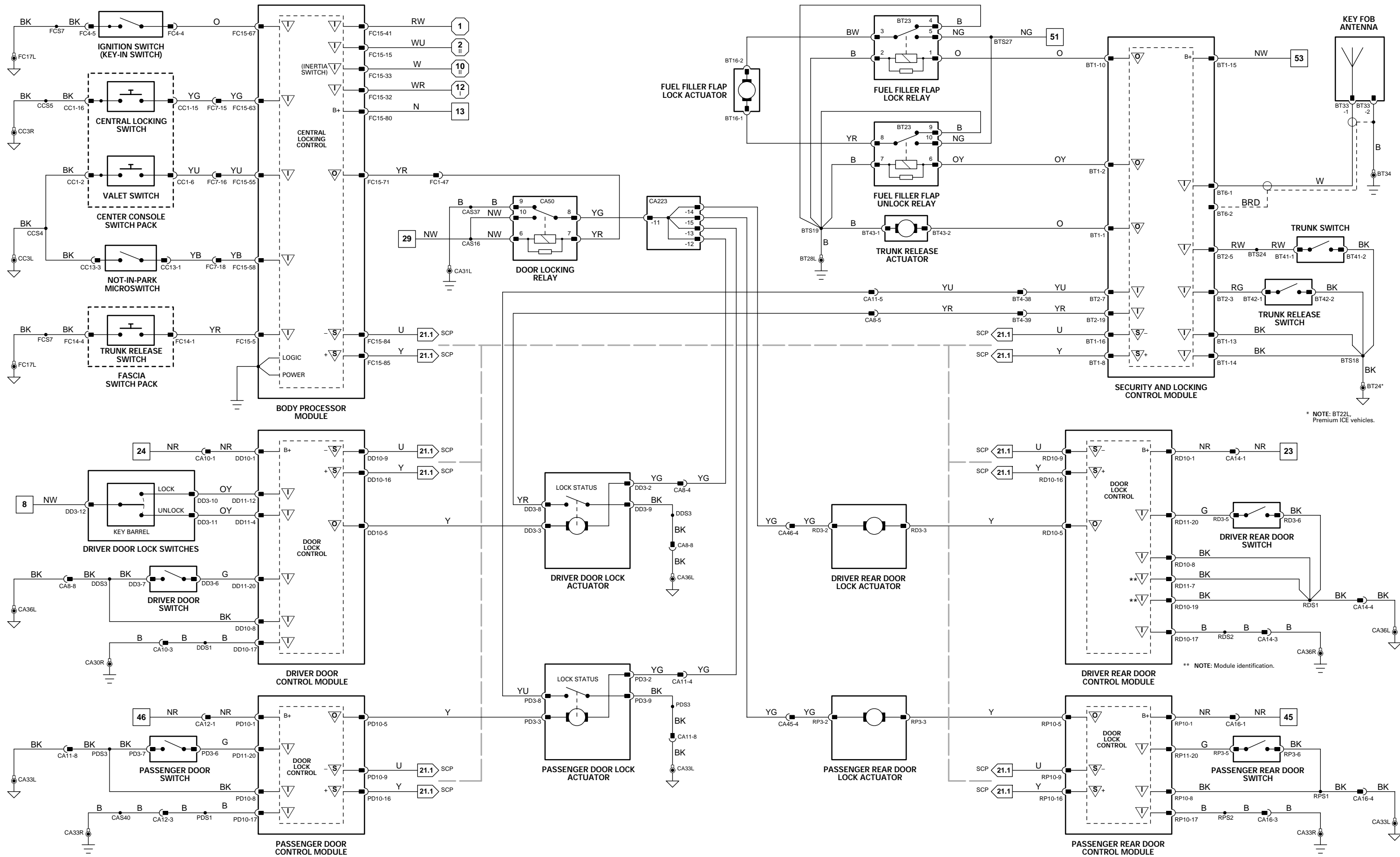
HARNESS-TO-HARNESS CONNECTORS

CONNECTor	Type / Color	Location / Access
BT4	54-WAY THROUGH PANEL / GREY	BELOW PARCEL SHELF / TRUNK / REAR BULKHEAD / RH SIDE
CA8	20-WAY MULTILOCK 070 / WHITE	DRIVER 'A' POST / DOOR HARNESS GAITER
CA10	8-WAY MULTILOCK 070 / YELLOW	DRIVER 'A' POST / DOOR HARNESS GAITER
CA11	20-WAY MULTILOCK 070 / WHITE	PASSENGER 'A' POST / DOOR HARNESS GAITER
CA11	20-WAY MULTILOCK 070 / WHITE	PASSENGER 'A' POST / DOOR HARNESS GAITER
CA12	8-WAY MULTILOCK 070 / YELLOW	PASSENGER 'A' POST / DOOR HARNESS GAITER
CA14	6-WAY MULTILOCK 070 / WHITE	DRIVER 'B/C' POST / DOOR HARNESS GAITER
CA16	6-WAY MULTILOCK 070 / WHITE	PASSENGER 'B/C' POST / DOOR HARNESS GAITER
CA45	4-WAY MULTILOCK 070 / WHITE	PASSENGER 'B/C' POST / DOOR HARNESS GAITER
CA46	4-WAY MULTILOCK 070 / WHITE	DRIVER 'B/C' POST / DOOR HARNESS GAITER
FC1	54-WAY THROUGH PANEL CONNECTOR / GREY	BELOW PASSENGER SIDE AIR VENT / GLOVE BOX ASSEMBLY
FC7	20-WAY MULTILOCK 070 / YELLOW	ABOVE DIMMER MODULE / COIN TRAY

GROUNDS

Ground	Location / Type
BT22L*	EYELET (PAIR) – TRUNK / RH CENTER GROUND STUD (*PREMIUM ICE)
BT24*	EYELET (SINGLE) – TRUNK / RH CENTER GROUND STUD (*STANDARD ICE)
BT28L	EYELET (PAIR) – TRUNK / RH CENTER GROUND STUD
BT34	EYELET (SINGLE) – KEY FOB ANTENNA GROUND / BACKLIGHT / CENTER
CA30R	EYELET (PAIR) – LH 'A' POST GROUND SCREW
CA31L	EYELET (PAIR) – RH DRIVE SHAFT TUNNEL GROUND STUD
CA33L	EYELET (PAIR) – RH 'A' POST GROUND SCREW
CA33R	EYELET (PAIR) – RH 'A' POST GROUND SCREW
CA33R	EYELET (PAIR) – RH 'A' POST GROUND SCREW
CA36L	EYELET (PAIR) – LH 'A' POST GROUND SCREW
CA36R	EYELET (PAIR) – LH 'A' POST GROUND SCREW
CC3L	EYELET (PAIR) – RH FRONT BULKHEAD STUD / CABIN SIDE
CC3R	EYELET (PAIR) – RH FRONT BULKHEAD STUD / CABIN SIDE
FC17L	EYELET (PAIR) – EMS BULKHEAD GROUND STUD

FOR CONTROL MODULE PIN OUT INFORMATION, UNFOLD PAGE TO LEFT.



* NOTE: BT22L Premium ICE vehicles.

** NOTE: Module identification.

1 → 6 Fig. 01.1 1 → 4 Fig. 01.1 7 → 49 Fig. 01.2 50 → 88 Fig. 01.3 5 → 49 Fig. 01.4 50 → 63 Fig. 01.5 1 → 19 Fig. 02.1

▽ Input ▽ Sensor Supply V ▽ ACP ▽ SCP
 ▽ Output ▽ Sensor Ground ▽ CAN ▽ Serial and Encoded Data

VARIANT: NAS Vehicles
 VIN RANGE: F20645 →
 DATE OF ISSUE: September 2000

CONTROL MODULE PIN OUT INFORMATION

Fig. 14.1

BODY PROCESSOR MODULE

Pin	Description	Active	Inactive
I FC15-6	WASHER FLUID LEVEL SENSOR	GROUND (FULL)	B+ (EMPTY)
I FC15-9	VARIABLE INTERMITTENT WIPE REQUEST		
I FC15-15	IGNITION SWITCHED GROUND	GROUND	B+
I FC15-16	SIDE LAMP REQUEST	GROUND	B+
O FC15-18	POWER WASH RELAY ACTIVATE	GROUND	B+
O FC15-19	WIPER FAST / SLOW RELAY ACTIVATE	GROUND (FAST)	B+ (SLOW)
O FC15-26	WINDSHIELD WASHER PUMP ACTIVATE	B+	GROUND
I FC15-34	FAST WIPE SPEED REQUEST	GROUND	B+
I FC15-37	PROGRAMMED WASH REQUEST	GROUND (MOMENTARY)	B+
O FC15-43	WIPER RUN / STOP RELAY ACTIVATE	GROUND	B+
I FC15-60	WIPER MOTOR PARK SWITCH STATUS	GROUND (PARKED)	B+ (NOT PARKED)
I FC15-80	BATTERY SUPPLY VOLTAGE	B+	B+
I FC15-94	SLOW / FLICK WIPE REQUEST	GROUND	B+
I FC15-104	BATTERY SUPPLY VOLTAGE	B+	B+

COMPONENTS

Component	Connector / Type / Color	Location / Access
BODY PROCESSOR MODULE	FC15 / 14-WAY AMP EEEC / GREY	BULKHEAD / BEHIND GLOVE BOX
FUSE BOX - ENGINE COMPARTMENT	LF5 / 10-WAY U.T.A. FUSE BOX / NATURAL LF6 / 10-WAY U.T.A. FUSE BOX / BLACK LF7 / 10-WAY U.T.A. FUSE BOX / GREEN LF8 / 10-WAY U.T.A. FUSE BOX / BLUE ST19 / EYELET	ENGINE COMPARTMENT / LH FRONT
INTERIOR REAR VIEW MIRROR	CA55 / 8-WAY MULTILOCK 070 / YELLOW	WINDSHIELD / IN FRONT OF ROOF CONSOLE
LIGHTING STALK (COLUMN SWITCHGEAR)	SC2 / 10-WAY MULTILOCK 070 / YELLOW	COLUMN SWITCHGEAR HARNESS / ADJACENT TO STEERING COLUMN MOTOR
POWER WASH PUMP	LF43 / 2-WAY REINSHAGEN / VOLKSWAGEN / BLACK	RIGHT FRONT QUARTER PANEL / WASHER FLUID CONTAINER
RAIN SENSING MODULE	EM72 / 12-WAY AMP ML42 / BLACK	ENGINE COMPARTMENT / CONTROL MODULE ENCLOSURE
RAIN SENSOR	NO CODES / 3-WAY AMP MICRO QUAD LOCK / BLACK	BEHIND INTERIOR REAR VIEW MIRROR
WASH / WIPE STALK (COLUMN SWITCHGEAR)	SC1 / 12-WAY MULTILOCK 070 / WHITE	COLUMN SWITCHGEAR HARNESS / ADJACENT TO STEERING COLUMN MOTOR
WINDSHIELD WASH PUMP AND FLUID LEVEL SENSOR	LF44 / 3-WAY AUGAT 1.6 / BLACK	RIGHT FRONT QUARTER PANEL / WASHER FLUID CONTAINER
WIPER MOTOR	EM33 / 4-WAY AUGAT 1.6 / BLACK	ENGINE COMPARTMENT / BULKHEAD

RELAYS

Relay	Case Color	Connector / Color	Location / Access
WIPER RUN / STOP RELAY	BLACK	LF11 / BLACK	ENGINE COMPARTMENT FRONT RELAYS / ENGINE COMPARTMENT
WIPER FAST / SLOW RELAY	BLACK	LF11 / BLACK	ENGINE COMPARTMENT FRONT RELAYS / ENGINE COMPARTMENT
POWERWASH RELAY	BROWN	BUS	RELAY #4, ENGINE COMPARTMENT FUSE BOX / ENGINE COMPARTMENT

HARNESSTO-HARNES CONNECTORS

Connector	Type / Color	Location / Access
EM3	18-WAY MULTILOCK 070 / WHITE	PASSENGER 'A' POST / LOWER 'A' POST FINISHER
EM51	12-WAY AUGAT 1.6 / GREY	ENGINE COMPARTMENT / ADJACENT TO ABS PUMP
FC5	54-WAY THROUGH PANEL CONNECTOR / GREY	BELOW DRIVER SIDE AIR VENT / COIN TRAY
LF3	54-WAY THROUGH PANEL CONNECTOR / GREY	LH 'A' POST / LOWER 'A' POST FINISHER

GROUND

Ground	Location / Type
EM8L	EYELET (PAIR) - EMS LH GROUND STUD
EM17	EYELET (SINGLE) - EMS BULKHEAD GROUND STUD
FC17R	EYELET (PAIR) - EMS BULKHEAD GROUND STUD
LF18R	EYELET (PAIR) - LH FORWARD GROUND STUD
LF19L	EYELET (PAIR) - RH FORWARD GROUND STUD

FOR CONTROL MODULE PIN OUT INFORMATION, UNFOLD PAGE TO LEFT.

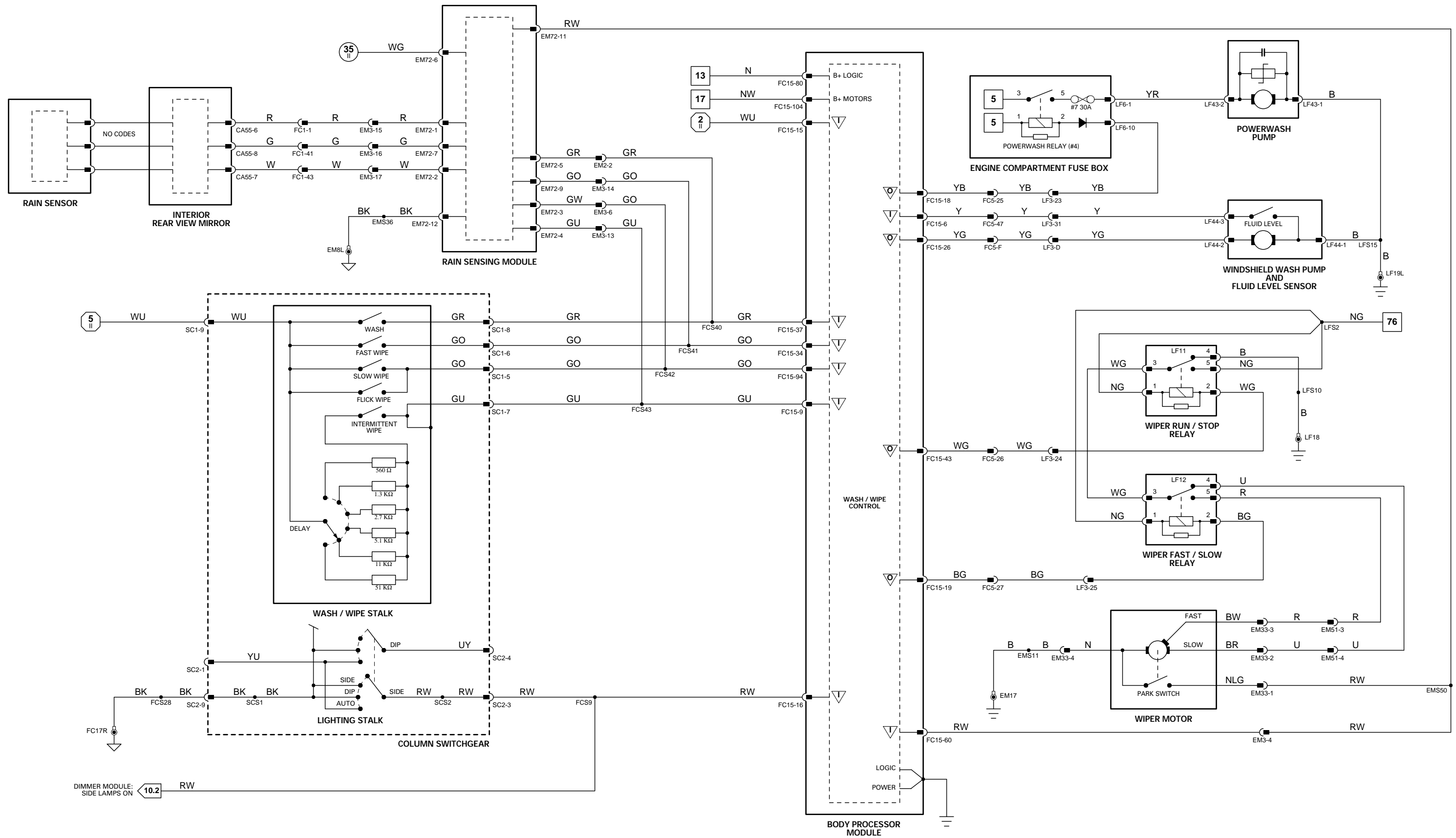
The following abbreviations are used to represent values for Control Module Pin-Out data

I	Input	SG	Sensor Ground	S	SCP Network	V	Voltage (DC)
O	Output	A	ACP Network	D	Serial and Encoded Data	Hz	Frequency
SS	Sensor Supply V	C	CAN (Network)	B+	Battery Voltage	kHz	Frequency x 1000

CAUTION: The information on this data page is furnished to aid the user in understanding circuit operation. THIS INFORMATION SHOULD BE USED FOR REFERENCE ONLY.

NOTE: The values listed are approximately those that can be expected at the control module connector pins with all circuit connections made and all components connected and fitted. "Active" means a load is applied or a switch is ON; "Inactive" means a load is not applied or a switch is OFF.

Refer to the front of this book for detailed information and illustrations regarding the location and identification of harnesses, relays, grounds, control modules and control module pins.



1 → 6 Fig. 01.1
 1 → 4 Fig. 01.1
 7 → 49 Fig. 01.2
 50 → 88 Fig. 01.3
 5 → 49 Fig. 01.4
 50 → 63 Fig. 01.5
 1 → 19 Fig. 02.1

- Input
- Output
- Sensor Supply V
- Sensor Ground
- ACP
- CAN
- SCP
- Serial and Encoded Data

VARIANT: All Vehicles
VIN RANGE: F20645 →
DATE OF ISSUE: September 2000

CONTROL MODULE PIN OUT INFORMATION

BODY PROCESSOR MODULE

Pin	Description	Active	Inactive
I FC15-15	IGNITION SWITCHED GROUND	GROUND	B+
I FC15-33	IGNITION SWITCHED GROUND	GROUND	B+
I FC15-41	STARTER ENGAGE REQUEST	GROUND (CRANKING)	B+
O FC15-46	DRIVER DOOR – SLIDING ROOF GLOBAL CLOSE REQUEST	GROUND (MOMENTARY)	B+
O FC15-47	CENTRAL LOCKING SWITCH – SLIDING ROOF GLOBAL OPEN REQUEST	GROUND (MOMENTARY)	B+
I FC15-63	CENTRAL LOCKING REQUEST	GROUND (MOMENTARY)	B+
I FC15-80	BATTERY SUPPLY VOLTAGE	B+	B+
S FC15-84	SCP NETWORK	2 – 1600 Hz	B+
S FC15-85	SCP NETWORK	2 – 1600 Hz	B+
I FC15-89	REAR WINDOW INHIBIT REQUEST	GROUND	B+

DRIVER DOOR CONTROL MODULE

Pin	Description	Active	Inactive
I DD10-1	BATTERY POWER SUPPLY	B+	B+
O DD10-7	WINDOW LIFT MOTOR DOWN SUPPLY	B+	GROUND
I DD10-8	LOGIC GROUND	GROUND	GROUND
S DD10-9	SCP NETWORK	2 – 1600 Hz	B+
I DD10-10	DRIVER DOOR SWITCH PACK DRIVER WINDOW DOWN REQUEST	GROUND (MOMENTARY)	B+
O DD10-15	DRIVER DOOR WINDOW LIFT MOTOR UP SUPPLY	B+	GROUND
S DD10-16	SCP NETWORK	2 – 1600 Hz	GROUND
I DD10-17	POWER GROUND	GROUND	GROUND (MOMENTARY)
I DD10-18	DRIVER DOOR SWITCH PACK DRIVER WINDOW UP REQUEST	GROUND (MOMENTARY)	GROUND
I DD10-19	DRIVER DOOR SWITCH PACK PASSENGER WINDOW UP REQUEST	GROUND (MOMENTARY)	GROUND
I DD11-4	DRIVER DOOR LOCK BARREL UNLOCK REQUEST	B+ (MOMENTARY)	GROUND
I DD11-6	DRIVER DOOR SWITCH PACK PASSENGER REAR WINDOW UP REQUEST	GROUND (MOMENTARY)	GROUND
I DD11-7	DRIVER DOOR SWITCH PACK PASSENGER WINDOW DOWN REQUEST	B+ (MOMENTARY)	GROUND
I DD11-12	DRIVER DOOR LOCK BARREL LOCK REQUEST	B+ (MOMENTARY)	GROUND
I DD11-15	DRIVER DOOR SWITCH PACK DRIVER REAR WINDOW DOWN REQUEST	GROUND (MOMENTARY)	B+
I DD11-21	DRIVER DOOR SWITCH PACK PASSENGER REAR WINDOW DOWN REQUEST	B+ (MOMENTARY)	GROUND
I DD11-22	DRIVER DOOR SWITCH PACK DRIVER REAR WINDOW UP REQUEST	GROUND (MOMENTARY)	GROUND

DRIVER REAR DOOR CONTROL MODULE

Pin	Description	Active	Inactive
I RD10-1	BATTERY POWER SUPPLY	B+	B+
O RD10-7	DRIVER REAR WINDOW LIFT MOTOR DOWN SUPPLY	B+	GROUND
I RD10-8	LOGIC GROUND	GROUND	GROUND
S RD10-9	SCP NETWORK	2 – 1600 Hz	B+
O RD10-15	DRIVER REAR WINDOW LIFT MOTOR UP SUPPLY	B+	GROUND
S RD10-16	SCP NETWORK	2 – 1600 Hz	GROUND
I RD10-17	POWER GROUND	GROUND	GROUND
I RD10-19	MODULE IDENTIFICATION	GROUND	GROUND
I RD11-6	DRIVER REAR DOOR SWITCH PACK WINDOW UP REQUEST	GROUND (MOMENTARY)	GROUND
I RD11-7	MODULE IDENTIFICATION	GROUND	GROUND
I RD11-21	DRIVER REAR DOOR SWITCH PACK WINDOW DOWN REQUEST	B+ (MOMENTARY)	GROUND

PASSENGER DOOR CONTROL MODULE

Pin	Description	Active	Inactive
I PD10-1	BATTERY POWER SUPPLY	B+	B+
O PD10-7	PASSENGER WINDOW LIFT MOTOR DOWN SUPPLY	B+	GROUND
I PD10-8	LOGIC GROUND	GROUND	GROUND
S PD10-9	SCP NETWORK	2 – 1600 Hz	B+
O PD10-15	PASSENGER WINDOW LIFT MOTOR UP SUPPLY	B+	GROUND
S PD10-16	SCP NETWORK	2 – 1600 Hz	GROUND
I PD10-17	POWER GROUND	GROUND	GROUND
I PD11-6	PASSENGER DOOR SWITCH PACK WINDOW UP REQUEST	GROUND (MOMENTARY)	GROUND
I PD11-21	PASSENGER DOOR SWITCH PACK WINDOW DOWN REQUEST	B+ (MOMENTARY)	GROUND

PASSENGER REAR DOOR CONTROL MODULE

Pin	Description	Active	Inactive
I RP10-1	BATTERY POWER SUPPLY	B+	B+
O RP10-7	PASSENGER REAR WINDOW LIFT MOTOR DOWN SUPPLY	B+	GROUND
I RP10-8	LOGIC GROUND	GROUND	GROUND
S RP10-9	SCP NETWORK	2 – 1600 Hz	B+
O RP10-15	PASSENGER REAR WINDOW LIFT MOTOR UP SUPPLY	B+	GROUND
S RP10-16	SCP NETWORK	2 – 1600 Hz	GROUND
I RP10-17	POWER GROUND	GROUND	GROUND
I RP11-6	PASSENGER REAR DOOR SWITCH PACK WINDOW UP REQUEST	GROUND (MOMENTARY)	GROUND
I RP11-21	PASSENGER REAR DOOR SWITCH PACK WINDOW DOWN REQUEST	B+ (MOMENTARY)	GROUND

SECURITY AND LOCKING CONTROL MODULE

Pin	Description	Active	Inactive
S BT1-8	SCP NETWORK	2 – 1600 Hz	B+
I BT1-13	LOGIC GROUND	GROUND	GROUND
I BT1-14	LOGIC GROUND	GROUND	GROUND
I BT1-15	BATTERY POWER SUPPLY	B+	B+
S BT1-16	SCP NETWORK	2 – 1600 Hz	B+
I BT6-1	KEY FOB ANTENNA		
I BT6-2	KEY FOB ANTENNA SHIELD	GROUND	GROUND

SLIDING ROOF CONTROL MODULE

Pin	Description	Active	Inactive
I CA64-1	BATTERY SUPPLY	B+	B+
I CA64-2	CENTRAL LOCKING SWITCH – SLIDING ROOF GLOBAL CLOSE REQUEST	GROUND (MOMENTARY)	B+
I CA64-3	GROUND SUPPLY	GROUND (MOMENTARY)	B+
I CA64-4	DRIVER DOOR – SLIDING ROOF GLOBAL CLOSE REQUEST	GROUND	B+
I CA64-5	SLIDING ROOF SWITCH OPEN REQUEST	GROUND (MOMENTARY)	B+
I CA64-6	SLIDING ROOF SWITCH CLOSE REQUEST	GROUND (MOMENTARY)	B+
O SR2-1	SLIDING ROOF MOTOR SUPPLY	B+	GROUND
O SR2-3	SLIDING ROOF MOTOR SUPPLY	B+	GROUND

NOTE: Refer to the Appendix at the rear of this book for CAN and SCP Network messages.

The following abbreviations are used to represent values for Control Module Pin-Out data

I	Input	SG	Sensor Ground	S	SCP Network	V	Voltage (DC)
O	Output	A	ACP Network	D	Serial and Encoded Data	Hz	Frequency
SS	Sensor Supply V	C	CAN (Network)	B+	Battery Voltage	kHz	Frequency x 1000

CAUTION: The information on this data page is furnished to aid the user in understanding circuit operation. THIS INFORMATION SHOULD BE USED FOR REFERENCE ONLY.

NOTE: The values listed are approximately those that can be expected at the control module connector pins with all circuit connections made and all components connected and fitted. "Active" means a load is applied or a switch is ON; "Inactive" means a load is not applied or a switch is OFF.

Fig. 15.1

COMPONENTS

Component	Connector / Type / Color	Location / Access
BODY PROCESSOR MODULE	FC15 / 14-WAY AMP EEEC / GREY	BULKHEAD / BEHIND GLOVE BOX
CENTRAL LOCKING SWITCH (CENTER CONSOLE SWITCH PACK)	CC1 / 16-WAY FORD IDC S.U. / BLACK	CENTER CONSOLE SWITCH PACK
DOOR CONTROL MODULE – DRIVER	DD10 / 22-WAY FORD 2.8 TIMER / BLUE DD11 / 22-WAY FORD 2.8 TIMER / BLACK	DOOR CASING / TRIM PANEL
DOOR CONTROL MODULE – DRIVER REAR	RD10 / 22-WAY FORD 2.8 TIMER / BLUE RD11 / 22-WAY FORD 2.8 TIMER / BLACK	DOOR CASING / TRIM PANEL
DOOR CONTROL MODULE – PASSENGER	PD10 / 22-WAY FORD 2.8 TIMER / BLUE PD11 / 22-WAY FORD 2.8 TIMER / BLACK	DOOR CASING / TRIM PANEL
DOOR CONTROL MODULE – PASSENGER REAR	RP10 / 22-WAY FORD 2.8 TIMER / BLUE RP11 / 22-WAY FORD 2.8 TIMER / BLACK	DOOR CASING / TRIM PANEL
DOOR LOCK SWITCHES – DRIVER INSTRUMENT PACK	DD3 / 13-WAY ECONOSEAL III LC / BLACK FC24 / 26-WAY AMP MICRO QUAD LOCK / BLACK FC25 / 26-WAY AMP MICRO QUAD LOCK / YELLOW	DOOR CASING / TRIM PANEL FASCIA
KEY FOB ANTENNA	BT33 / 1-WAY COAXIAL CONNECTOR / BLACK	TOP OF BACKLIGHT
REAR WINDOW INHIBIT SWITCH (DRIVER DOOR SWITCH PACK)	DD1 / 26-WAY AMP MICRO QUAD LOCK / YELLOW	DOOR TRIM PANEL
SECURITY AND LOCKING CONTROL MODULE	BT1 / 16-WAY FORD 2.8 TIMER / BLACK BT2 / 26-WAY FORD IDC / BLACK BT6 / 2-WAY MINI UHF / METALLIC	BELOW TRUNK FUSE BOX
SLIDING ROOF CONTROL MODULE	CA64 / 6-WAY MULTILOCK 070 / WHITE	ROOF CONSOLE
SLIDING ROOF MOTOR	SR2 / 3-WAY MULTILOCK 070 / WHITE	ROOF CONSOLE
SLIDING ROOF SWITCH (ROOF CONSOLE)	CA53 / 8-WAY MULTILOCK 040 / BLACK	ROOF CONSOLE
SWITCH PACK – DRIVER REAR DOOR	RD1 / 5-WAY JAE IL-AG5 / GREEN	DOOR TRIM PANEL
SWITCH PACK – PASSENGER DOOR	PD1 / 5-WAY JAE IL-AG5 / GREEN	DOOR TRIM PANEL
SWITCH PACK – PASSENGER REAR DOOR	RP1 / 5-WAY JAE IL-AG5 / GREEN	DOOR TRIM PANEL
WINDOW LIFT MOTOR – DRIVER	DD16 / 2-WAY ECONOSEAL III LC / BLACK	DOOR CASING / TRIM PANEL
WINDOW LIFT MOTOR – DRIVER REAR	RD16 / 2-WAY ECONOSEAL III LC / BLACK	DOOR CASING / TRIM PANEL
WINDOW LIFT MOTOR – PASSENGER	PD16 / 2-WAY ECONOSEAL III LC / BLACK	DOOR CASING / TRIM PANEL
WINDOW LIFT MOTOR – PASSENGER REAR	RP16 / 2-WAY ECONOSEAL III LC / BLACK	DOOR CASING / TRIM PANEL
WINDOW LIFT SWITCH (DRIVER DOOR SWITCH PACK)	DD1 / 26-WAY AMP MICRO QUAD LOCK / YELLOW	DOOR TRIM PANEL

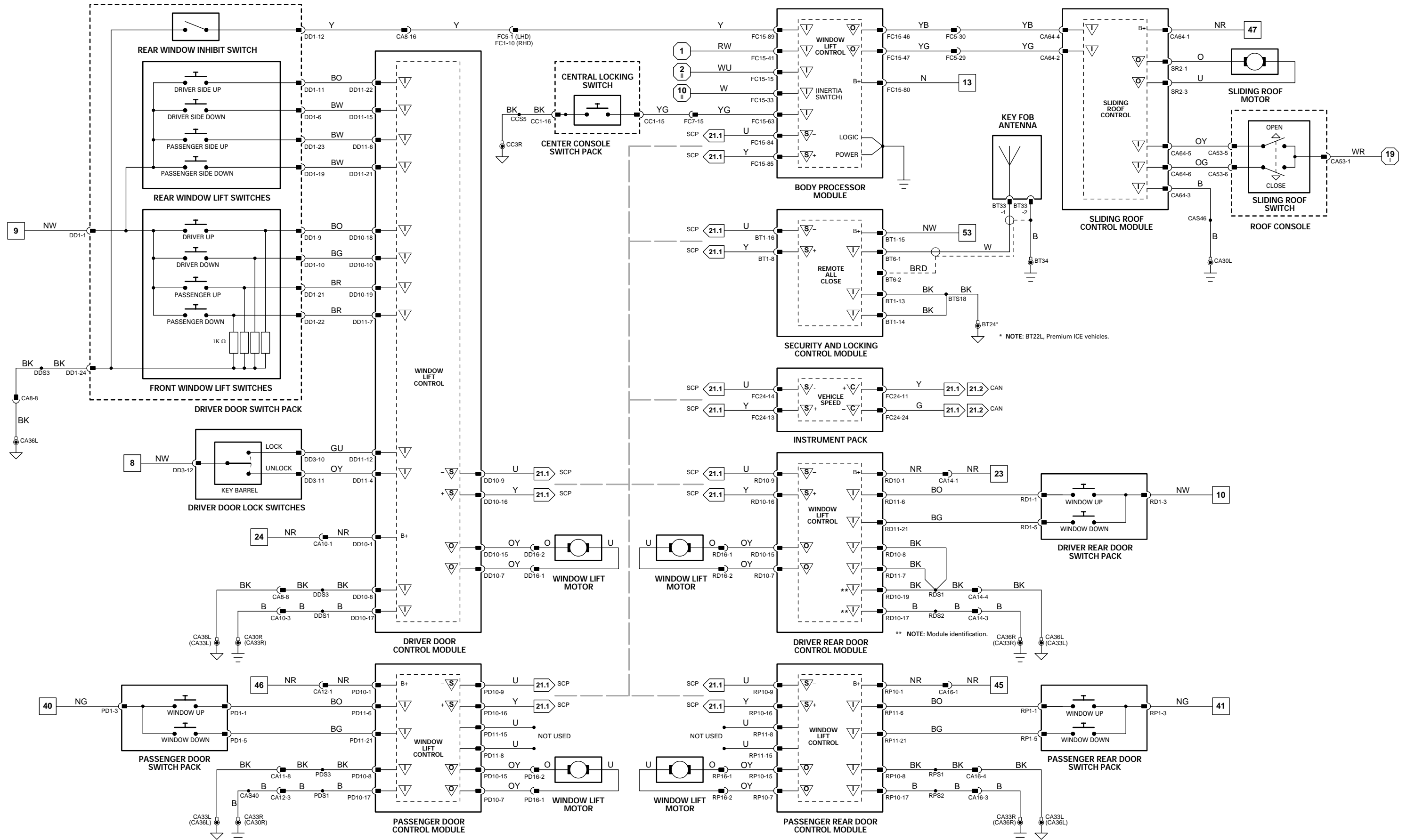
HARNESS-TO-HARNESS CONNECTORS

Connector	Type / Color	Location / Access
CA8	20-WAY MULTILOCK 070 / WHITE	DRIVER 'A' POST / DOOR HARNESS GAITER
CA10	8-WAY MULTILOCK 070 / YELLOW	DRIVER 'A' POST / DOOR HARNESS GAITER
CA11	20-WAY MULTILOCK 070 / WHITE	PASSENGER 'A' POST / DOOR HARNESS GAITER
CA12	8-WAY MULTILOCK 070 / YELLOW	PASSENGER 'A' POST / DOOR HARNESS GAITER
CA14	6-WAY MULTILOCK 070 / WHITE	DRIVER 'B/C' POST / DOOR HARNESS GAITER
CA16	6-WAY MULTILOCK 070 / WHITE	PASSENGER 'B/C' POST / DOOR HARNESS GAITER
FC1	54-WAY THROUGH PANEL CONNECTOR / GREY	BELOW PASSENGER SIDE AIR VENT / GLOVE BOX ASSEMBLY
FC5	54-WAY THROUGH PANEL CONNECTOR / GREY	BELOW DRIVER SIDE AIR VENT / COIN TRAY
FC7	20-WAY MULTILOCK 070 / YELLOW	ABOVE DIMMER MODULE / COIN TRAY

GROUNDS

Ground	Location / Type
BT22L*	EYELET (PAIR) – TRUNK / RH CENTER GROUND STUD (*PREMIUM ICE)
BT24*	EYELET (SINGLE) – TRUNK / RH CENTER GROUND STUD (*STANDARD ICE)
BT34	EYELET (SINGLE) – KEY FOB ANTENNA GROUND / BACKLIGHT / CENTER
CA30L	EYELET (PAIR) – LH 'A' POST GROUND SCREW
CA30R	EYELET (PAIR) – LH 'A' POST GROUND SCREW
CA33L	EYELET (PAIR) – RH 'A' POST GROUND SCREW
CA33R	EYELET (PAIR) – RH 'A' POST GROUND SCREW
CA36L	EYELET (PAIR) – LH 'A' POST GROUND SCREW
CA36R	EYELET (PAIR) – LH 'A' POST GROUND SCREW
CC3R	EYELET (PAIR) – RH FRONT BULKHEAD STUD / CABIN SIDE

FOR CONTROL MODULE PIN OUT INFORMATION, UNFOLD PAGE TO LEFT.



* NOTE: BT22L, Premium ICE vehicles.

** NOTE: Module identification.

1 → 6 Fig. 01.1
 1 → 4 Fig. 01.1
 7 → 49 Fig. 01.2
 50 → 88 Fig. 01.3
 5 → 49 Fig. 01.4
 50 → 63 Fig. 01.5
 1 → 19 Fig. 02.1

▽ Input ▽ Sensor Supply V ▽ ACP ▽ SCP
 ▽ Output ▽ Sensor Ground ▽ CAN ▽ Serial and Encoded Data

VARIANT: All Vehicles
VIN RANGE: F20645 →
DATE OF ISSUE: September 2000

CONTROL MODULE PIN OUT INFORMATION

Fig. 16.1

INSTRUMENT PACK

Pin	Description	Active	Inactive
C	FC24-11 CAN NETWORK	15 – 1500 Hz	
C	FC24-24 CAN NETWORK	15 – 1500 Hz	
O	FC25-20 VEHICLE SPEED	22 Hz @ 10 MPH (16 KMH); 44 Hz @ 20 MPH (32 KMH) @ B+	

RADIO / CASSETTE HEAD UNIT

Pin	Description	Active	Inactive
I	IC11-1 VEHICLE SPEED	22 Hz @ 10 MPH (16 KMH); 44 Hz @ 20 MPH (32 KMH) @ B+	
I	IC11-2 STEERING WHEEL AUDIO CONTROLS	0 V = MODE, 1.2 V = SEEK, 2.4 V = VOLUME '+', 3.7 V = VOLUME '-'	5V
O	IC11-18 ANTENNA UP	B+	GROUND

NOTE: Refer to the Appendix at the rear of this book for CAN and SCP Network messages.

COMPONENTS

Component	Connector / Type / Color	Location / Access
ANTENNA MOTOR	BT19 / 6-WAY YAZAKI TYPE C / WHITE	ANTENNA MOTOR ASSEMBLY / BATTERY COVER
CD AUTO-CHANGER	IC5 / 8-WAY ALPINE / BLACK	TRUNK LH SIDE / TRUNK CARPET
INSTRUMENT PACK	FC24 / 26-WAY AMP MICRO QUAD LOCK / BLACK FC25 / 26-WAY AMP MICRO QUAD LOCK / YELLOW	FASCIA
RADIO / CASSETTE HEAD UNIT	CA3 / COAXIAL CONNECTOR IC10 / 20-WAY MULTILOCK 070 / WHITE IC11 / 26-WAY AMP MICRO QUAD LOCK / YELLOW IC19 / 8-WAY ALPINE / BLACK	CENTER CONSOLE
RADIO ANTENNA	CA7 / COAXIAL CONNECTOR	ANTENNA MOTOR ASSEMBLY / BATTERY COVER
RADIO CONTROL SWITCHES (STEERING WHEEL)	SW4 / 3-WAY EPC / BLACK	STEERING WHEEL
RADIO TELEPHONE CONNECTOR	RT2 / 10-WAY MULTILOCK 070 / WHITE	BELOW CENTER CONSOLE GLOVE BOX
SPEAKER, 'A' POST TWEETER – LH	CA56 / 2-WAY MULTILOCK 040 / BLACK	LH 'A' POST / UPPER 'A' POST TRIM
SPEAKER, 'A' POST TWEETER – RH	CA54 / 2-WAY MULTILOCK 040 / BLACK	RH 'A' POST / UPPER 'A' POST TRIM
SPEAKER, REAR DOOR MID-BASS – DRIVER SIDE	RD6 / 2-WAY GROTE & HARTMAN MDK / BLACK	DOOR CASING / TRIM PANEL
SPEAKER, REAR DOOR MID-BASS – PASSENGER SIDE	RP6 / 2-WAY GROTE & HARTMAN MDK / BLACK	DOOR CASING / TRIM PANEL
SPEAKER, REAR DOOR TWEETER – DRIVER SIDE	RD5 / 2-WAY GROTE & HARTMAN MDK / BLACK	DOOR CASING / TRIM PANEL
SPEAKER, REAR DOOR TWEETER – PASSENGER SIDE	RP5 / 2-WAY GROTE & HARTMAN MDK / BLACK	DOOR CASING / TRIM PANEL
SPEAKER, FRONT DOOR MID-BASS – DRIVER SIDE	DD6 / 2-WAY GROTE & HARTMAN MDK / BLACK	DOOR CASING / TRIM PANEL
SPEAKER, FRONT DOOR MID-BASS – PASSENGER SIDE	PD6 / 2-WAY GROTE & HARTMAN MDK / BLACK	DOOR CASING / TRIM PANEL
SPEAKER, FRONT DOOR TWEETER – DRIVER SIDE	DD5 / 2-WAY GROTE & HARTMAN MDK / BLACK	DOOR CASING / TRIM PANEL
SPEAKER, FRONT DOOR TWEETER – PASSENGER SIDE	PD5 / 2-WAY GROTE & HARTMAN MDK / BLACK	DOOR CASING / TRIM PANEL

HARNES-TO-HARNES CONNECTORS

Connector	Type / Color	Location / Access
BT4	54-WAY THROUGH PANEL / GREY	BELOW PARCEL SHELF / TRUNK / REAR BULKHEAD / RH SIDE
CA10	8-WAY MULTILOCK 070 / YELLOW	DRIVER 'A' POST / DOOR HARNESS GAITER
CA12	8-WAY MULTILOCK 070 / YELLOW	PASSENGER 'A' POST / DOOR HARNESS GAITER
CA14	6-WAY MULTILOCK 070 / WHITE	DRIVER 'B/C' POST / DOOR HARNESS GAITER
CA16	6-WAY MULTILOCK 070 / WHITE	PASSENGER 'B/C' POST / DOOR HARNESS GAITER
FC5	54-WAY THROUGH PANEL CONNECTOR / GREY	BELOW DRIVER SIDE AIR VENT / COIN TRAY
IC1	14-WAY MULTILOCK 070 / WHITE	LH HEELBOARD
IC3	12-WAY MULTILOCK 070 / WHITE	LH HEELBOARD
SC3	12-WAY MULTILOCK 070 / GREY	ADJACENT TO STEERING COLUMN MOTOR

GROUNDS

Ground	Location / Type
BT28L	EYELET (PAIR) – TRUNK / RH CENTER GROUND STUD
FC17R	EYELET (PAIR) – EMS BULKHEAD GROUND STUD
IC8	EYELET (SINGLE) – RADIO GROUND STUD / REARWARD OF GEAR SELECTOR ASSEMBLY

FOR CONTROL MODULE PIN OUT INFORMATION, UNFOLD PAGE TO LEFT.

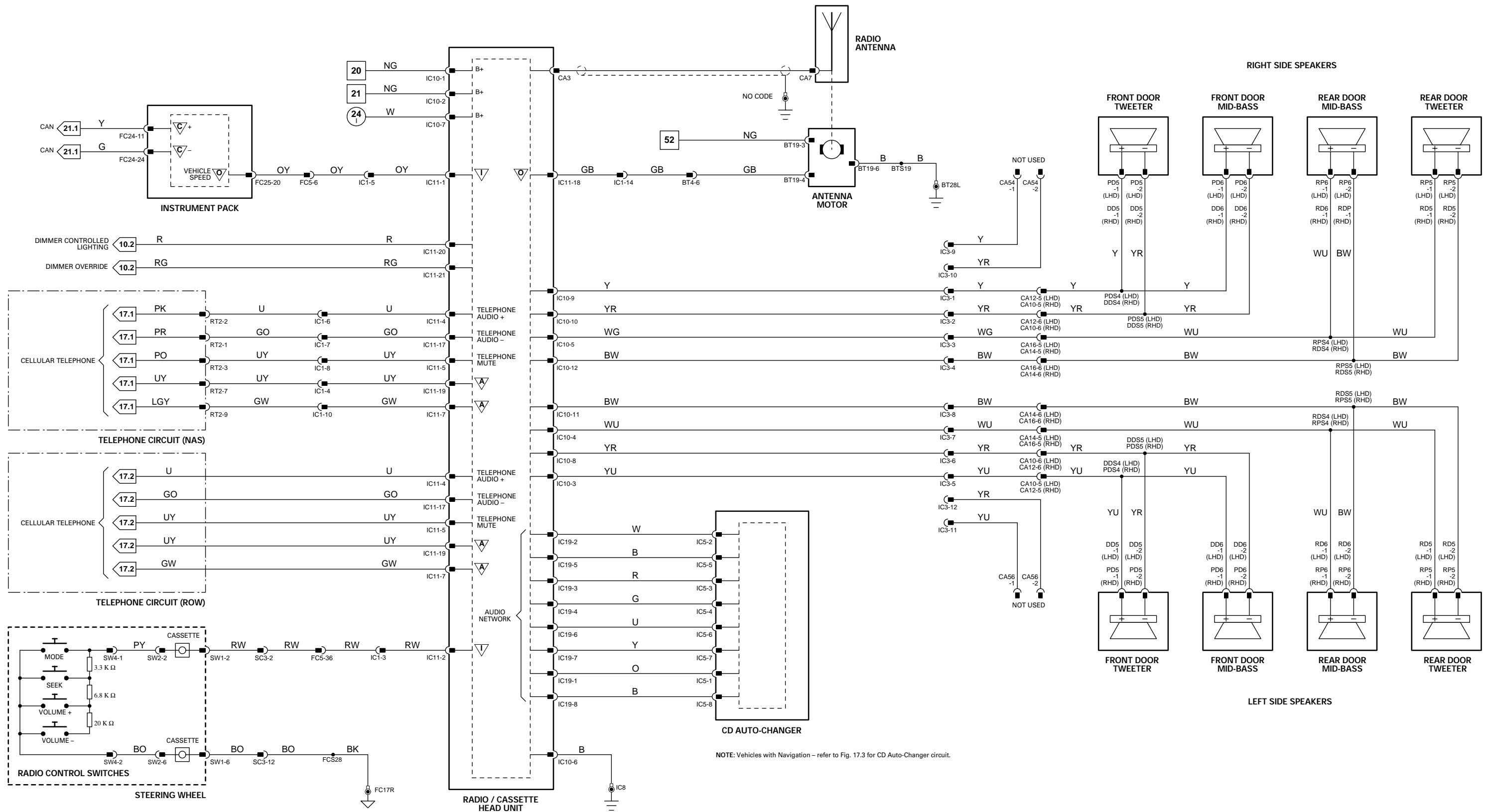
The following abbreviations are used to represent values for Control Module Pin-Out data

I	Input	SG	Sensor Ground	S	SCP Network	V	Voltage (DC)
O	Output	A	ACP Network	D	Serial and Encoded Data	Hz	Frequency
SS	Sensor Supply V	C	CAN (Network)	B+	Battery Voltage	kHz	Frequency x 1000

CAUTION: The information on this data page is furnished to aid the user in understanding circuit operation. THIS INFORMATION SHOULD BE USED FOR REFERENCE ONLY.

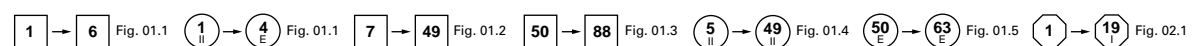
actions made and all components connected and fitted. "Active" means a load is applied or a switch is ON; "Inactive" means a load is not applied or a switch is OFF.

Refer to the front of this book for detailed information and illustrations regarding the location and identification of harnesses, relays, grounds, control modules and control module pins.



NOTE: Vehicles with Navigation - refer to Fig. 17.3 for CD Auto-Changer circuit.

CAUTION: The steering wheel contains two logic ground circuits that must remain separate. Do not connect or cross-switch the BO and BK circuits.



VARIANT: Standard ICE Vehicles
 VIN RANGE: F20645 →
 DATE OF ISSUE: September 2000

CONTROL MODULE PIN OUT INFORMATION

INSTRUMENT PACK

Pin	Description	Active	Inactive
C	FC24-11 CAN NETWORK	15 – 1500 Hz	
C	FC24-24 CAN NETWORK	15 – 1500 Hz	
O	FC25-20 VEHICLE SPEED	22 Hz @ 10 MPH (16 KMH); 44 Hz @ 20 MPH (32 KMH) @ B+	

RADIO / CASSETTE HEAD UNIT

Pin	Description	Active	Inactive
I	IC11-1 VEHICLE SPEED	22 Hz @ 10 MPH (16 KMH); 44 Hz @ 20 MPH (32 KMH) @ B+	
I	IC11-2 STEERING WHEEL AUDIO CONTROLS	0 V = MODE, 1.2 V = SEEK, 2.4 V = VOLUME '+', 3.7 V = VOLUME '-'	5V
O	IC11-18 ANTENNA UP	B+	GROUND

NOTE: Refer to the Appendix at the rear of this book for CAN and SCP Network messages.

Fig. 16.2

COMPONENTS

Component	Connector / Type / Color	Location / Access
ANTENNA MOTOR	BT19 / 6-WAY YAZAKI TYPE C / WHITE	ANTENNA MOTOR ASSEMBLY / BATTERY COVER
CD AUTO-CHANGER	CD AUTOCHANGER DATA CABLE	TRUNK LH SIDE / TRUNK CARPET
INSTRUMENT PACK	FC24 / 26-WAY AMP MICRO QUAD LOCK / BLACK FC25 / 26-WAY AMP MICRO QUAD LOCK / YELLOW	FASCIA
POWER AMPLIFIER	IC5 / 8-WAY ALPINE / BLACK IC21 / CD AUTOCHANGER DATA CABLE IC30 / 12-WAY MULTILOCK 070 / WHITE IC31 / 18-WAY MULTILOCK 070 / WHITE	TRUNK LH SIDE / TRUNK CARPET
RADIO / CASSETTE HEAD UNIT	CA3 / COAXIAL CONNECTOR IC10 / 20-WAY MULTILOCK 070 / WHITE IC11 / 26-WAY AMP MICRO QUAD LOCK / YELLOW IC19 / 8-WAY ALPINE / BLACK	CENTER CONSOLE
RADIO ANTENNA	CA7 / COAXIAL CONNECTOR	ANTENNA MOTOR ASSEMBLY / BATTERY COVER
RADIO CONTROL SWITCHES (STEERING WHEEL)	SW4 / 3-WAY EPC / BLACK	STEERING WHEEL
RADIO TELEPHONE CONNECTOR	RT2 / 10-WAY MULTILOCK 070 / WHITE	BELOW CENTER CONSOLE GLOVE BOX
SPEAKER, 'A' POST TWEETER – LH	CA56 / 2-WAY MULTILOCK 040 / BLACK	LH 'A' POST / UPPER 'A' POST TRIM
SPEAKER, 'A' POST TWEETER – RH	CA54 / 2-WAY MULTILOCK 040 / BLACK	RH 'A' POST / UPPER 'A' POST TRIM
SPEAKER, REAR DOOR MID-BASS – DRIVER SIDE	RD6 / 2-WAY GROTE & HARTMAN MDK / BLACK	DOOR CASING / TRIM PANEL
SPEAKER, REAR DOOR MID-BASS – PASSENGER SIDE	RP6 / 2-WAY GROTE & HARTMAN MDK / BLACK	DOOR CASING / TRIM PANEL
SPEAKER, REAR DOOR TWEETER – DRIVER SIDE	RD5 / 2-WAY GROTE & HARTMAN MDK / BLACK	DOOR CASING / TRIM PANEL
SPEAKER, REAR DOOR TWEETER – PASSENGER SIDE	RP5 / 2-WAY GROTE & HARTMAN MDK / BLACK	DOOR CASING / TRIM PANEL
SPEAKER, FRONT DOOR MID-BASS – DRIVER SIDE	DD6 / 2-WAY GROTE & HARTMAN MDK / BLACK	DOOR CASING / TRIM PANEL
SPEAKER, FRONT DOOR MID-BASS – PASSENGER SIDE	PD6 / 2-WAY GROTE & HARTMAN MDK / BLACK	DOOR CASING / TRIM PANEL
SUBWOOFER	BT52 / 2-WAY GROTE & HARTMAN MDK / BLACK BT53 / 2-WAY GROTE & HARTMAN MDK / BLACK	ABOVE FUEL TANK / TRUNK CARPET

HARNESSTO-HARNESSTO CONNECTORS

Connector	Type / Color	Location / Access
BT4	54-WAY THROUGH PANEL / GREY	BELOW PARCEL SHELF / TRUNK / REAR BULKHEAD / RH SIDE
CA10	8-WAY MULTILOCK 070 / YELLOW	DRIVER 'A' POST / DOOR HARNESS GAITER
CA12	8-WAY MULTILOCK 070 / YELLOW	PASSENGER 'A' POST / DOOR HARNESS GAITER
CA14	6-WAY MULTILOCK 070 / WHITE	DRIVER 'B/C' POST / DOOR HARNESS GAITER
CA16	6-WAY MULTILOCK 070 / WHITE	PASSENGER 'B/C' POST / DOOR HARNESS GAITER
FC5	54-WAY THROUGH PANEL CONNECTOR / GREY	BELOW DRIVER SIDE AIR VENT / COIN TRAY
IC1	14-WAY MULTILOCK 070 / WHITE	LH HEELBOARD
IC3	12-WAY MULTILOCK 070 / WHITE	LH HEELBOARD
SC3	12-WAY MULTILOCK 070 / GREY	ADJACENT TO STEERING COLUMN MOTOR

GROUNDSTO

Ground	Location / Type
BT22R	EYELET (PAIR) – TRUNK / RH CENTER GROUND STUD
BT28L	EYELET (PAIR) – TRUNK / RH CENTER GROUND STUD
FC17R	EYELET (PAIR) – EMS BULKHEAD GROUND STUD
IC8	EYELET (SINGLE) – RADIO GROUND STUD / REARWARD OF GEAR SELECTOR ASSEMBLY
IC20	EYELET (SINGLE) – TRUNK / LH FORWARD GROUND STUD

FOR CONTROL MODULE PIN OUT INFORMATION, UNFOLD PAGE TO LEFT.

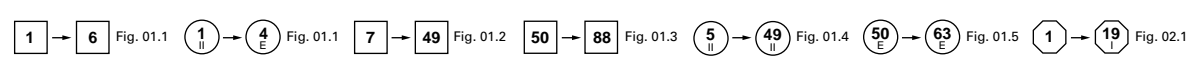
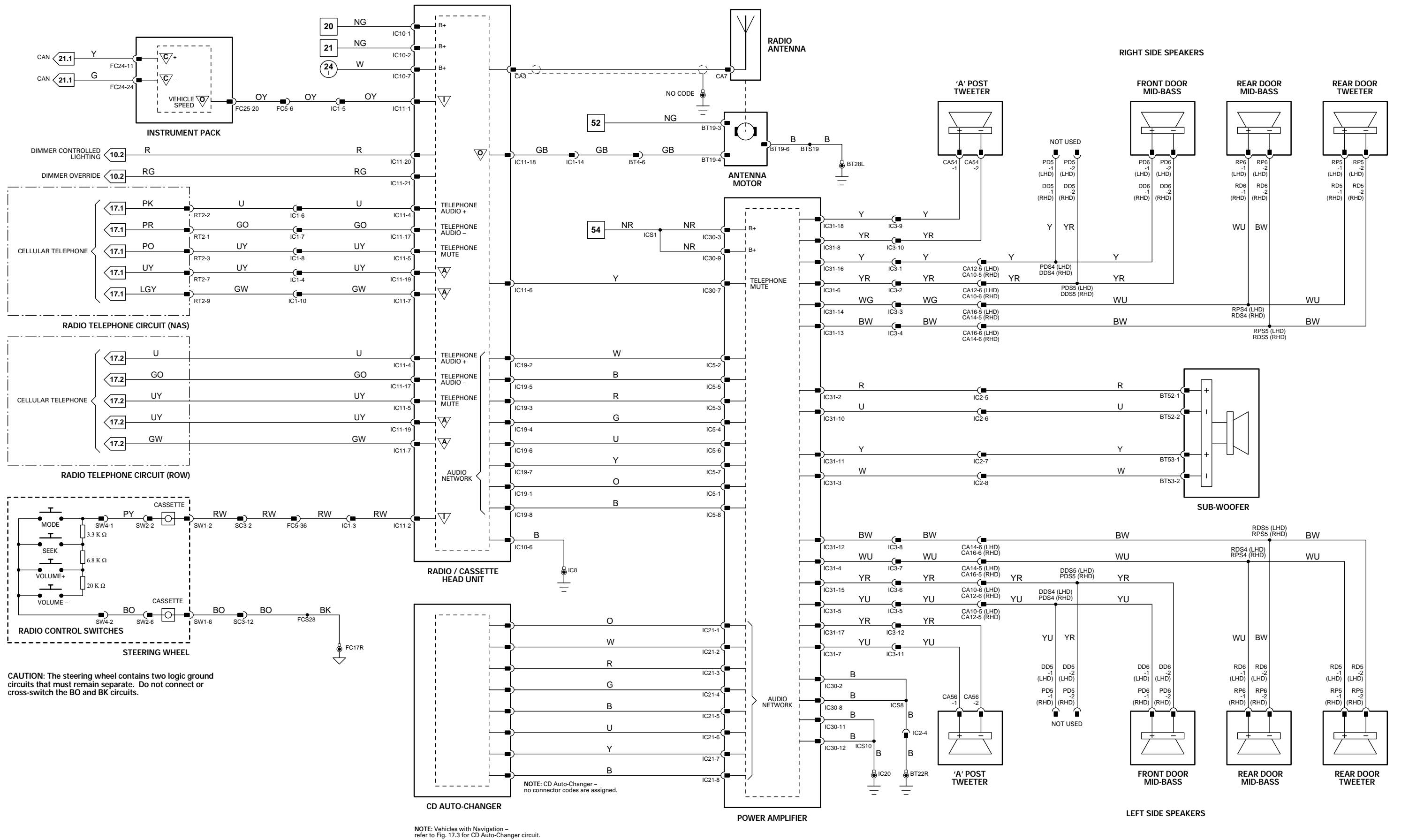
The following abbreviations are used to represent values for Control Module Pin-Out data

I	Input	SG	Sensor Ground	S	SCP Network	V	Voltage (DC)
O	Output	A	ACP Network	D	Serial and Encoded Data	Hz	Frequency
SS	Sensor Supply V	C	CAN (Network)	B+	Battery Voltage	kHz	Frequency x 1000

CAUTION: The information on this data page is furnished to aid the user in understanding circuit operation. THIS INFORMATION SHOULD BE USED FOR REFERENCE ONLY.

NOTE: The values listed are approximately those that can be expected at the control module connector pins with all circuit connections made and all components connected and fitted. "Active" means a load is applied or a switch is ON; "Inactive" means a load is not applied or a switch is OFF.

Refer to the front of this book for detailed information and illustrations regarding the location and identification of harnesses, relays, grounds, control modules and control module pins.



VARIANT: Premium ICE Vehicles
 VIN RANGE: F20645 →
 DATE OF ISSUE: September 2000

Fig. 17.1

COMPONENTS

Component	Connector / Type / Color	Location / Access
TELEPHONE ANTENNA	RT64 / COAXIAL CONNECTOR RT65 / COAXIAL CONNECTOR RT66 / COAXIAL CONNECTOR	BELOW CENTER CONSOLE GLOVE BOX HEATED BACKLIGHT / HEADLINING / REAR CENTER CONSOLE
TELEPHONE HANDSET – FRONT	RT5 / TELEPHONE / PROPRIETARY	CENTER CONSOLE
TELEPHONE HANDSET – REAR	RT10 / TELEPHONE / PROPRIETARY	CENTER CONSOLE
TELEPHONE MICROPHONE	CA67 / 2-WAY MULTILOCK 040 / BLUE	ROOF CONSOLE
CELLULAR PHONE CONTROL MODULE (PORTABLE PHONE)	RT3 / TELEPHONE / PROPRIETARY RT4 / TELEPHONE / PROPRIETARY	RH TRUNK

HARNESS-TO-HARNESS CONNECTORS

Connector	Type / Color	Location / Access
RT1	TELEPHONE / PROPRIETARY	CENTER CONSOLE
RT2	10-WAY MULTILOCK 070 / WHITE	BELOW CENTER CONSOLE GLOVE BOX

GROUNDS

Ground	Location / Type
CA38R	EYELET (PAIR) – LH HEELBOARD POST GROUND SCREW

Refer to the front of this book for detailed information and illustrations regarding the location and identification of harnesses, relays, grounds, control modules and control module pins.

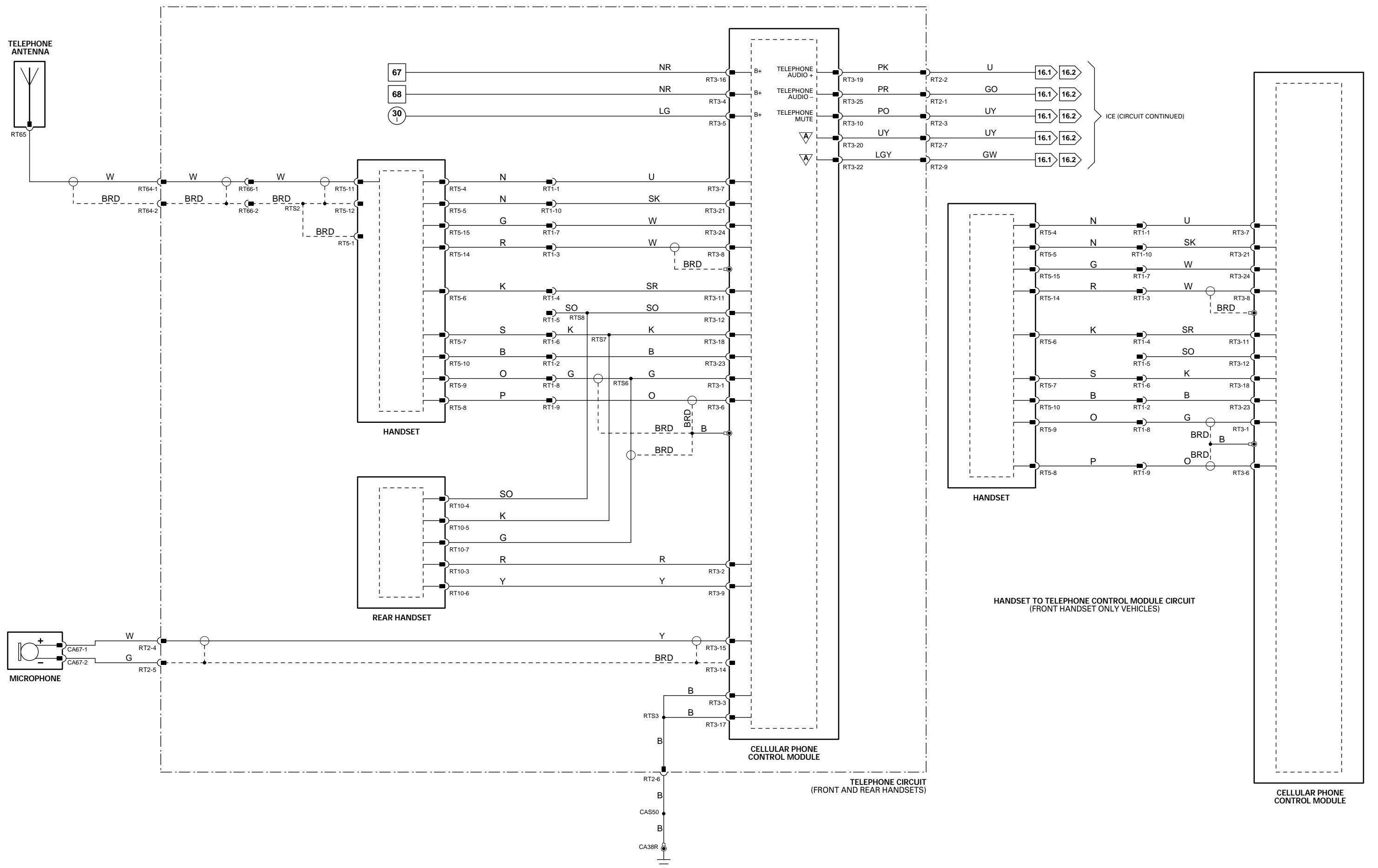


Fig. 17.2**COMPONENTS****Component**

CELLULAR PHONE CONTROL MODULE (FIXED PHONE)
TELEPHONE ANTENNA

TELEPHONE HANDSET – FRONT
TELEPHONE MICROPHONE

Connector / Type / Color

IC25 / TELEPHONE / PROPRIETARY
RT6 / COAXIAL CONNECTOR
RT7 / COAXIAL CONNECTOR
RT3 / TELEPHONE / PROPRIETARY
CA67 / 2-WAY MULTILOCK 040 / BLUE

Location / Access

RH TRUNK
BELOW CENTER CONSOLE GLOVE BOX
HEATED BACKLIGHT / HEADLINING / REAR
CENTER CONSOLE
ROOF CONSOLE

HARNESS-TO-HARNESS CONNECTORS**Connector**

RT2

Type / Color

10-WAY MULTILOCK 070 / WHITE

Location / Access

BELOW CENTER CONSOLE GLOVE BOX

GROUNDS**Ground**

CA38R

Location / Type

EYELET (PAIR) – LH HEELBOARD POST GROUND SCREW

Refer to the front of this book for detailed information and illustrations regarding the location and identification of harnesses, relays, grounds, control modules and control module pins.

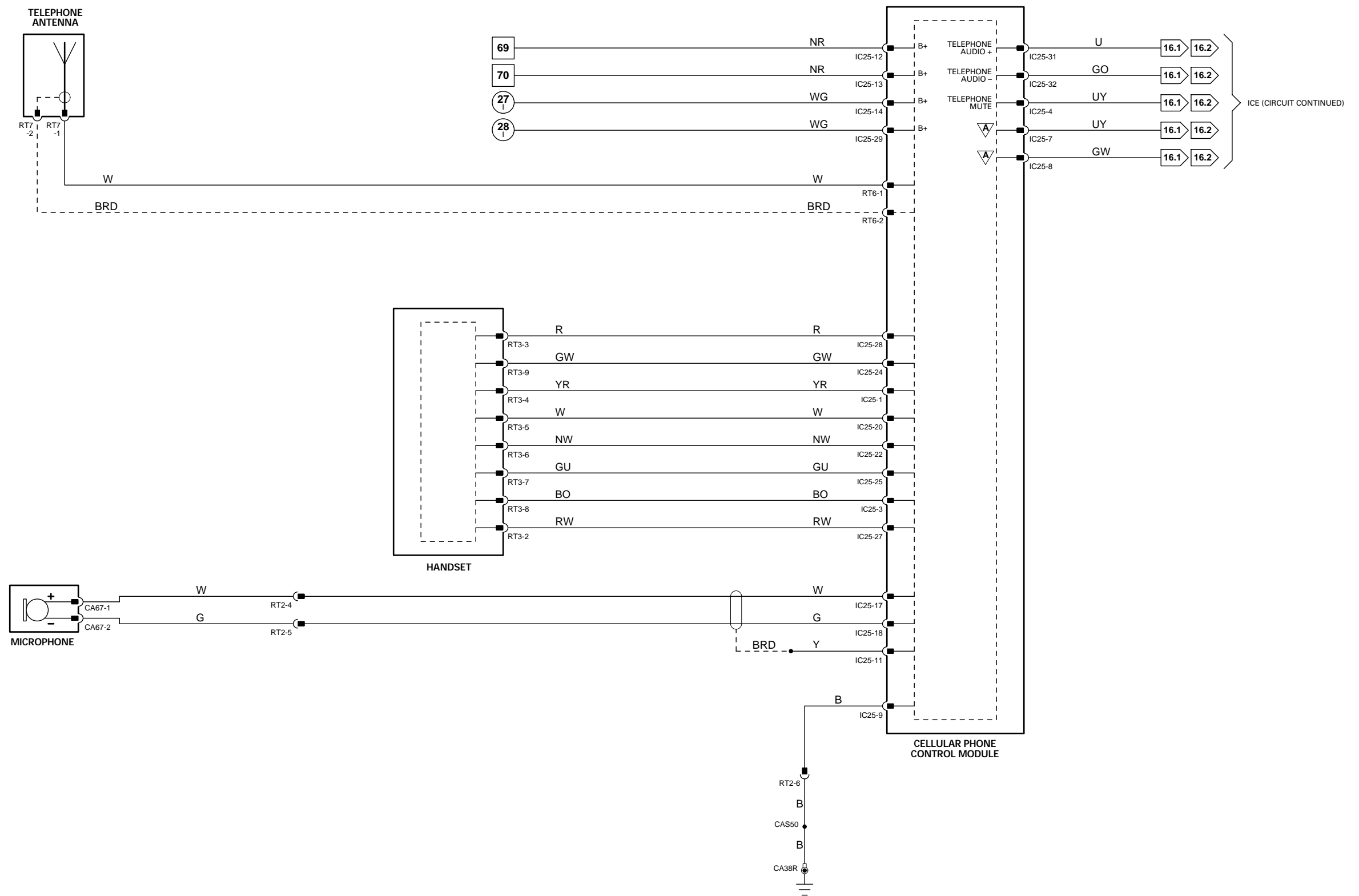


Fig. 17.3

COMPONENTS

Component

CD AUTO-CHANGER
 INSTRUMENT PACK

 NAVIGATION CONTROL MODULE

 NAVIGATION GPS ANTENNA
 POWER AMPLIFIER

RADIO / CASSETTE HEAD UNIT

Connector / Type / Color

CD AUTOCHANGER DATA CABLE
 FC24 / 26-WAY AMP MICRO QUAD LOCK / BLACK
 FC25 / 26-WAY AMP MICRO QUAD LOCK / YELLOW
 IC5 / 8-WAY ALPINE / BLACK
 IC12 / 16-WAY MULTILOCK 42 / BLACK
 IC41 / 2-WAY HIROSE COAX GT5 SERIES / GREY
 IC5 / 8-WAY ALPINE / BLACK
 IC21 / CD AUTOCHANGER DATA CABLE
 IC30 / 12-WAY MULTILOCK 070 / WHITE
 IC31 / 18-WAY MULTILOCK 070 / WHITE
 CA3 / COAXIAL CONNECTOR
 IC10 / 20-WAY MULTILOCK 070 / WHITE
 IC11 / 26-WAY AMP MICRO QUAD LOCK / YELLOW
 IC19 / 8-WAY ALPINE / BLACK

Location / Access

TRUNK LH SIDE / TRUNK CARPET
 FASCIA

 TRUNK LH SIDE / TRUNK CARPET
 INSIDE LH REAR QUARTER PANEL
 BELOW PARCEL SHELF
 TRUNK LH SIDE / TRUNK CARPET

 CENTER CONSOLE

HARNESS-TO-HARNESS CONNECTORS

Connector

NV2
 IC2

Type / Color

2-WAY MULTILOCK 070 / WHITE
 8-WAY MULTILOCK 070 / WHITE

Location / Access

RH SIDE OF TRANSMISSION TUNNEL
 REARWARD OF FUEL TANK / BATTERY COVER

GROUNDS

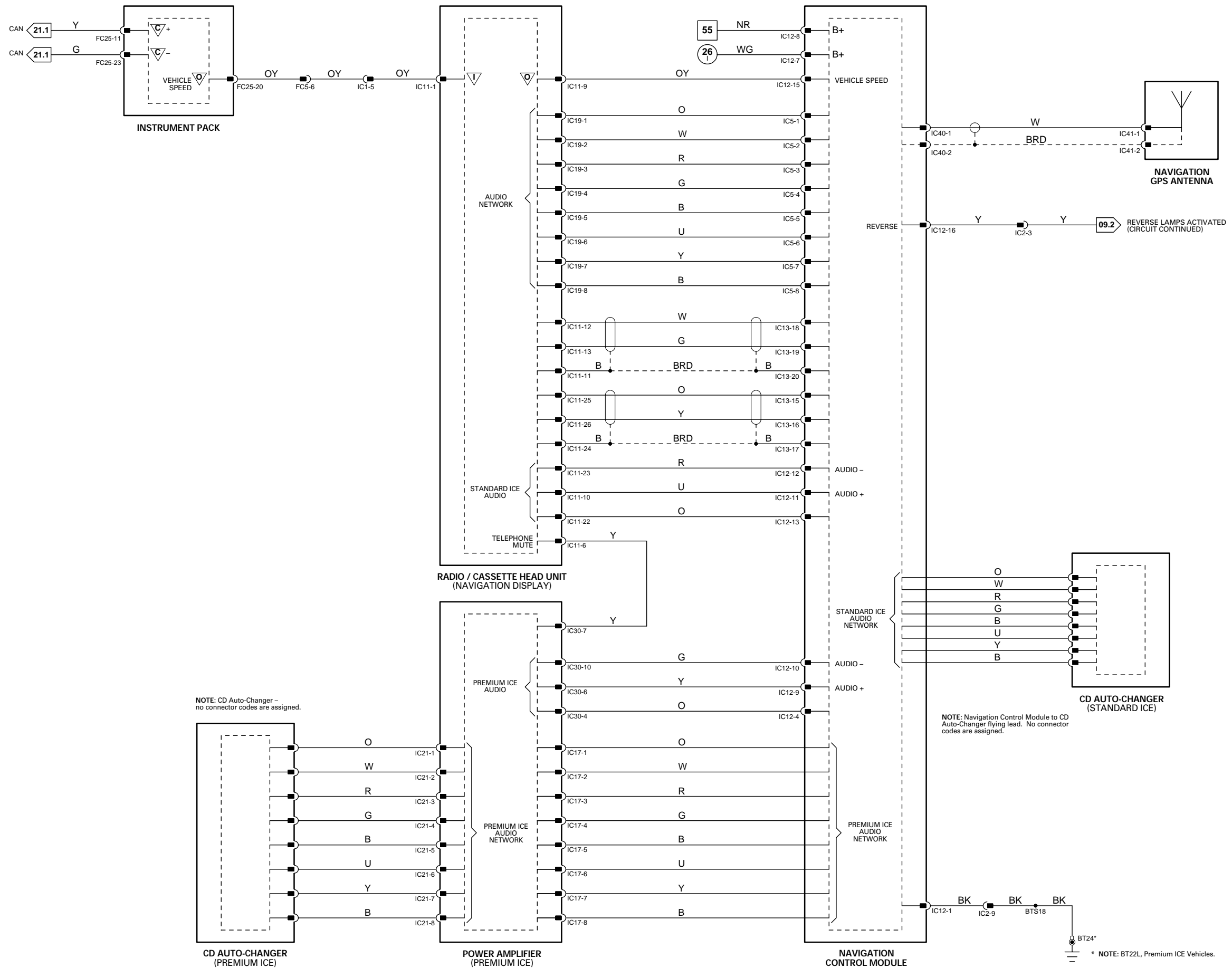
Ground

FC17L
 BT22L*
 BT24*

Location / Type

EYELET (PAIR) – EMS BULKHEAD GROUND STUD
 EYELET (PAIR) – TRUNK / RH CENTER GROUND STUD (*PREMIUM ICE)
 EYELET (SINGLE) – TRUNK / RH CENTER GROUND STUD (*STANDARD ICE)

Refer to the front of this book for detailed information and illustrations regarding the location and identification of harnesses, relays, grounds, control modules and control module pins.



CONTROL MODULE PIN OUT INFORMATION

AIRBAG / SRS SINGLE POINT SENSOR

Pin	Description	Active	Inactive
0	CA61-1	LH SEAT BELT PRETENSIONER POWER SUPPLY	B+
0	CA61-2	LH SEAT BELT PRETENSIONER GROUND SUPPLY	GROUND
0	CA61-3	RH SEAT BELT PRETENSIONER POWER SUPPLY	B+
0	CA61-4	RH SEAT BELT PRETENSIONER GROUND SUPPLY	GROUND
I	CA61-5	IGNITION SUPPLY VOLTAGE	B+
I	CA61-6	GROUND SUPPLY	GROUND
0	CA61-7	INSTRUMENT PACK 'SRS' MIL	GROUND (NO FAULT)
D	CA61-9	DIAGNOSTIC OUTPUT SERIAL OUTPUT	ENCODED COMMUNICATIONS
0	CA61-10	STEERING WHEEL AIRBAG POWER SUPPLY	B+
0	CA61-11	STEERING WHEEL AIRBAG GROUND SUPPLY	GROUND
0	CA61-13	PASSENGER FASCIA AIRBAG POWER SUPPLY	B+
0	CA61-14	PASSENGER FASCIA AIRBAG GROUND SUPPLY	GROUND
0	CA61-16	DRIVER SIDE AIRBAG POWER SUPPLY	B+
0	CA61-17	DRIVER SIDE AIRBAG GROUND SUPPLY	GROUND
0	CA61-18	PASSENGER SIDE AIRBAG POWER SUPPLY	B+
0	CA61-19	PASSENGER SIDE AIRBAG GROUND SUPPLY	GROUND
I	CA61-20	LH SIDE IMPACT SENSOR GROUND SUPPLY	GROUND
I	CA61-21	RH SIDE IMPACT SENSOR GROUND SUPPLY	GROUND
I	CA61-22	LH SIDE IMPACT SENSOR STATUS	GROUND (SHORTED)
I	CA61-23	RH SIDE IMPACT SENSOR STATUS	GROUND (SHORTED)
I	CA61-24	LH SIDE IMPACT SENSOR GROUND SUPPLY STATUS	GROUND (NO FAULT)
I	CA61-25	RH SIDE IMPACT SENSOR GROUND SUPPLY STATUS	GROUND (NO FAULT)
0	CA61-40	SRS AUDIBLE BACKUP	ENCODED COMMUNICATIONS

Fig. 18.1

COMPONENTS

Component	Connector / Type / Color	Location / Access
AIRBAG / SRS SINGLE POINT SENSOR	CA61 / 50-WAY ELO50 / YELLOW	BELOW CENTER CONSOLE ASSEMBLY
AIRBAG – DRIVER SIDE	SW11 / 3-WAY EPC / BLACK	CENTER OF STEERING WHEEL
AIRBAG – PASSENGER SIDE	CA81 / 3-WAY CARDEL / FORD / GREY	PASSENGER AIR BAG
IMPACT SENSOR – LH	CA15 / 3-WAY MOLEX C-GRID / BLACK	INSIDE 'B/C' POST / 'B/C' POST TRIM
IMPACT SENSOR – RH	CA22 / 3-WAY MOLEX C-GRID / BLACK	INSIDE 'B/C' POST / 'B/C' POST TRIM
SEAT BELT PRETENSIONER – LH	CA62 / 2-WAY FORD AIRBAG / YELLOW	INSIDE LH 'B/C' POST / 'B/C' POST TRIM
SEAT BELT PRETENSIONER – RH	CA65 / 2-WAY FORD AIRBAG / YELLOW	INSIDE RH 'B/C' POST / 'B/C' POST TRIM
SIDE AIRBAG – DRIVER	SD15 / 2-WAY FORD AIRBAG / YELLOW	DRIVER SEAT / SIDE
SIDE AIRBAG – PASSENGER	SP15 / 2-WAY FORD AIRBAG / YELLOW	PASSENGER SEAT / SIDE

HARNESSTO-HARNESSTO CONNECTORS

Connector	Type / Color	Location / Access
CA66	3-WAY EPC AIRBAG / BLACK	BELOW SEAT
CA72	3-WAY EPC AIRBAG / CARD / BLACK	BELOW SEAT
FC5	54-WAY THROUGH PANEL CONNECTOR / GREY	BELOW DRIVER SIDE AIR VENT / COIN TRAY
SW10	3-WAY FORD AIRBAG / BLACK	CENTER OF STEERING WHEEL

GROUNDS

Ground	Location / Type
CA48	EYELET (SINGLE) – RH HEELBOARD POST GROUND SCREW (AIRBAG ONLY GROUND)

FOR CONTROL MODULE PIN OUT INFORMATION, UNFOLD PAGE TO LEFT.

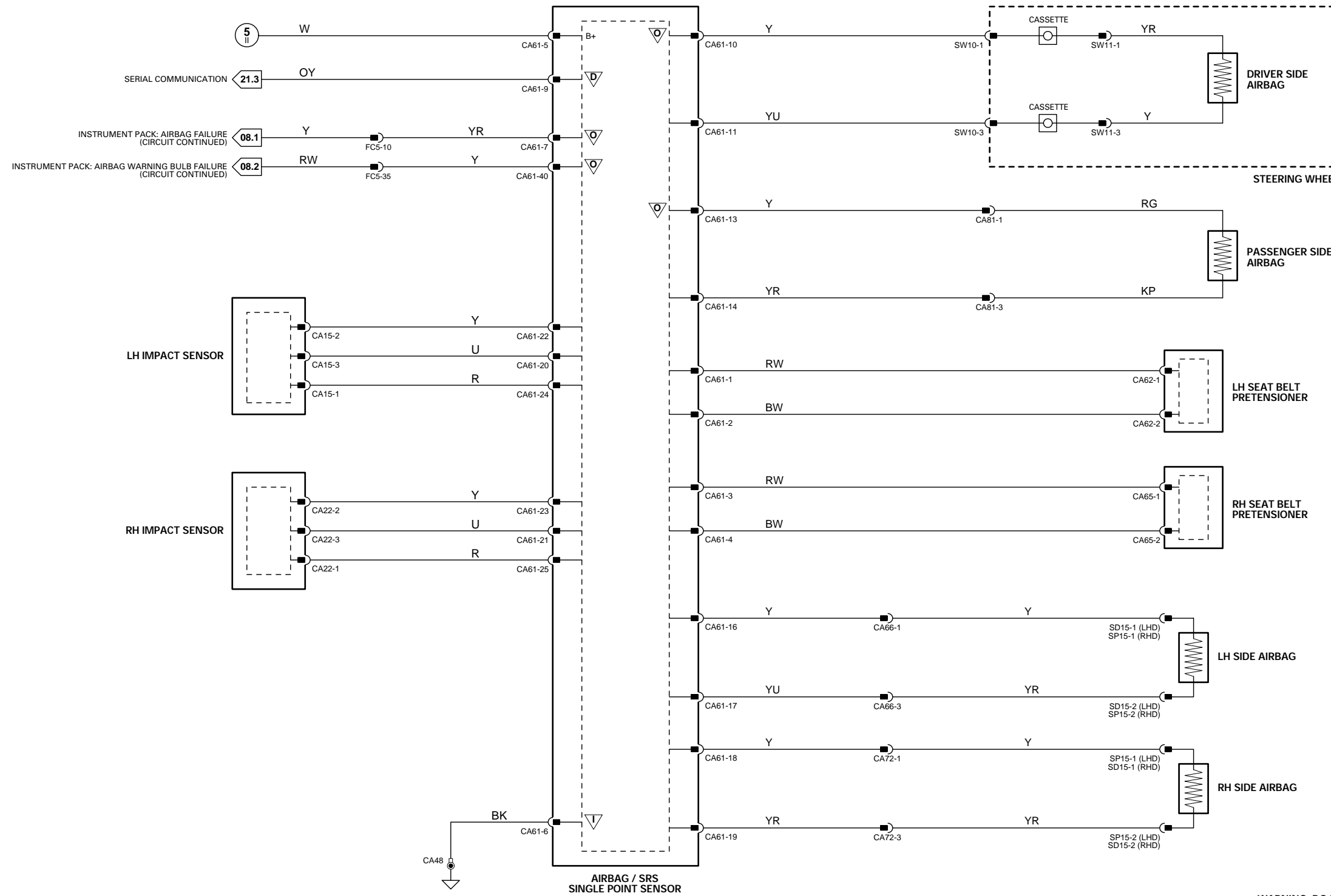
The following abbreviations are used to represent values for Control Module Pin-Out data

I	Input	SG	Sensor Ground	S	SCP Network	V	Voltage (DC)
O	Output	A	ACP Network	D	Serial and Encoded Data	Hz	Frequency
SS	Sensor Supply V	C	CAN (Network)	B+	Battery Voltage	kHz	Frequency x 1000

CAUTION: The information on this data page is furnished to aid the user in understanding circuit operation. THIS INFORMATION SHOULD BE USED FOR REFERENCE ONLY.

actions made and all components connected and fitted. "Active" means a load is applied or a switch is ON; "Inactive" means a load is not applied or a switch is OFF.

Refer to the front of this book for detailed information and illustrations regarding the location and identification of harnesses, relays, grounds, control modules and control module pins.



WARNING: DO NOT ATTEMPT TO MEASURE THE RESISTANCE THROUGH THE AIRBAG ASSEMBLY. DOING SO MAY TRIGGER AIRBAG DEPLOYMENT AND POSSIBLY RESULT IN PERSONAL INJURY.

Fig. 19.1

COMPONENTS

Component

PARKING AID CONTROL MODULE

PARKING AID SENSOR – LH
PARKING AID SENSOR – CENTER LH
PARKING AID SENSOR – RH
PARKING AID SENSOR – CENTER RH
PARKING AID SOUNDER

Connector / Type / Color

RB1 / 12-WAY / WHITE
BT71 / 16-WAY / WHITE

RB2 / 3-WAY AMP MICRO QUAD LOCK / BLACK
RB3 / 3-WAY AMP MICRO QUAD LOCK / BLACK
RB5 / 3-WAY AMP MICRO QUAD LOCK / BLACK
RB4 / 3-WAY AMP MICRO QUAD LOCK / BLACK
BT70 / 2-WAY / WHITE

Location / Access

TRUNK / LH REAR

REAR BUMPER
REAR BUMPER
REAR BUMPER
REAR BUMPER
CENTER REAR HEADLINING

GROUNDS

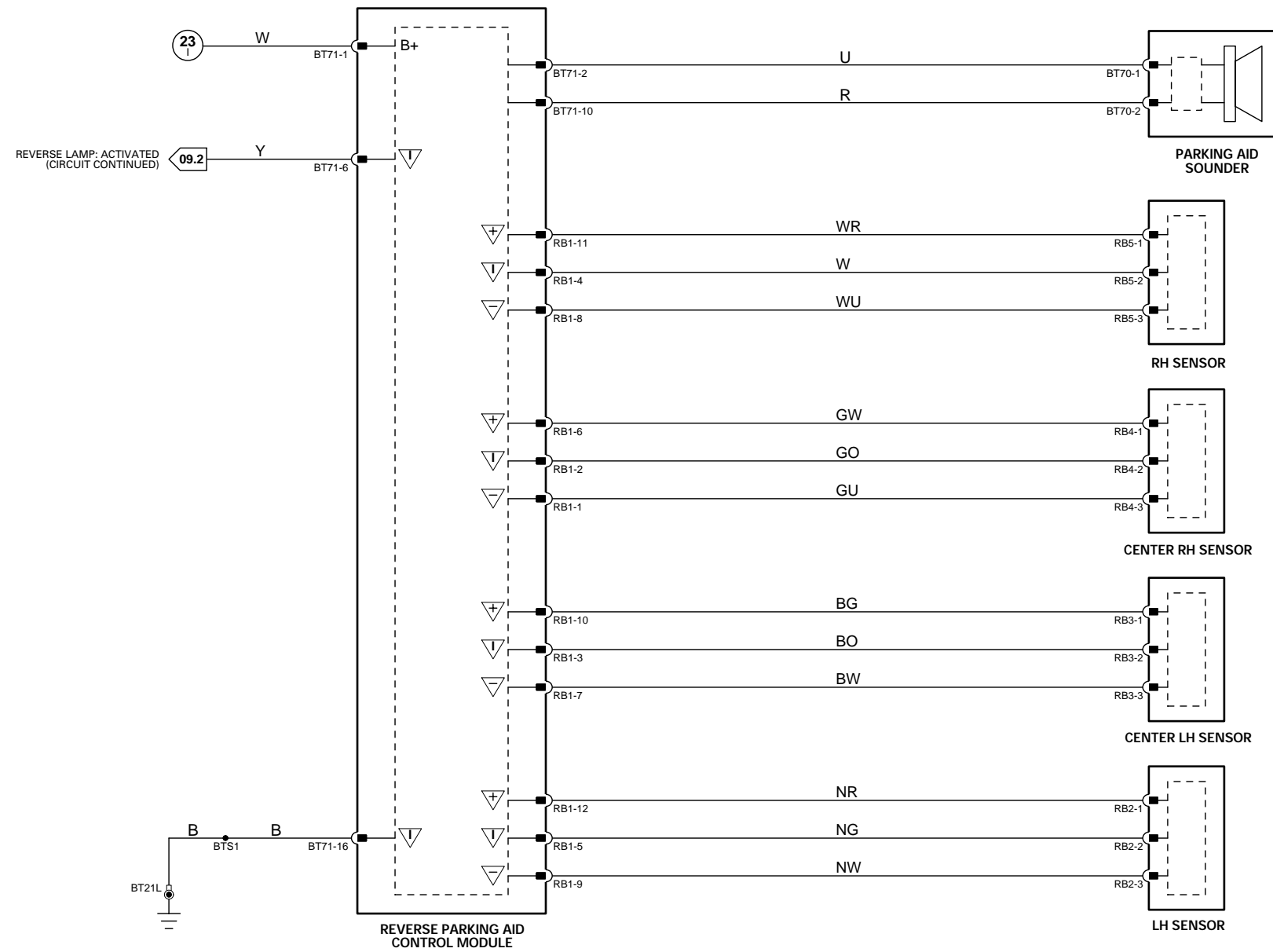
Ground

BT21L

Location / Type

EYELET (PAIR) – TRUNK / RH REAR GROUND STUD

Refer to the front of this book for detailed information and illustrations regarding the location and identification of harnesses, relays, grounds, control modules and control module pins.



CONTROL MODULE PIN OUT INFORMATION

BODY PROCESSOR MODULE

Pin	Description	Active	Inactive
I	FC15-4	HORN ACTIVATE REQUEST	B+
O	FC15-70	HORN RELAY ACTIVATE	B+
I	FC15-80	BATTERY SUPPLY VOLTAGE	B+

Fig. 20.1

COMPONENTS

Component	Connector / Type / Color	Location / Access
BODY PROCESSOR MODULE	FC15 / 14-WAY AMP EEEC / GREY	BULKHEAD / BEHIND GLOVE BOX
CIGAR LIGHTER - FRONT	CA74 / 3-WAY MULTILOCK 070 / WHITE	CENTER CONSOLE ASSEMBLY
CIGAR LIGHTER - REAR	CA75 / 2-WAY AMP / METALLIC CA76 / 1-WAY LUCAR POSILOCK MKI / BLACK	REAR CENTER CONSOLE VENT
FUSE BOX - ENGINE COMPARTMENT	LF5 / 10-WAY U.T.A. FUSE BOX / NATURAL LF6 / 10-WAY U.T.A. FUSE BOX / BLACK LF7 / 10-WAY U.T.A. FUSE BOX / GREEN LF8 / 10-WAY U.T.A. FUSE BOX / BLUE ST19 / EYELET	ENGINE COMPARTMENT / LH FRONT
FUSE BOX - TRUNK	BT10 / 10-WAY U.T.A. FUSE BOX / NATURAL BT11 / 10-WAY U.T.A. FUSE BOX / BLACK BT12 / 10-WAY U.T.A. FUSE BOX / GREEN BT13 / 10-WAY U.T.A. FUSE BOX / BLUE BT64 / EYELET	TRUNK ELECTRICAL CARRIER
HORN SWITCHES (STEERING WHEEL)	HP1 / 1-WAY BLADE HP2 / 1-WAY BLADE	CENTER OF STEERING WHEEL
HORN - LH	LF46 / 1-WAY LUCAR POSILOCK MKI / BLACK LF47 / 1-WAY LUCAR POSILOCK MKI / BLACK	FORWARD OF RADIATOR - LH SIDE / RADIATOR GRILLE
HORN - RH	LF48 / 1-WAY LUCAR POSILOCK MKI / BLACK LF49 / 1-WAY LUCAR POSILOCK MKI / BLACK	FORWARD OF RADIATOR - RH SIDE / RADIATOR GRILLE
PASSENGER COMPARTMENT ACCESSORY CONNECTOR	CA71 / 3-WAY AMP SERIES 250 PIN / BLACK	RH 'A' POST / 'A' POST TRIM
TRUNK ACCESSORY CONNECTOR	BT25 / 3-WAY AMP SERIES 250 PIN / BLACK	ADJACENT TO BATTERY / BATTERY COVER

RELAYS

Relay	Case Color	Connector / Color	Location / Access
HORN RELAY	BROWN	BUS	RELAY #6, ENGINE COMPARTMENT FUSE BOX / ENGINE COMPARTMENT
ACCESSORY CONNECTOR RELAY	BROWN	BUS	RELAY #6, TRUNK FUSE BOX / TRUNK

HARNESS-TO-HARNESS CONNECTORS

Connector	Type / Color	Location / Access
BT4	54-WAY THROUGH PANEL / GREY	BELOW PARCEL SHELF / TRUNK / REAR BULKHEAD / RH SIDE
EM1	12-WAY AUGAT 1.6 / BLACK	ENGINE COMPARTMENT / ADJACENT TO ABS PUMP
EM3	18-WAY MULTILOCK 070 / WHITE	PASSENGER 'A' POST / LOWER 'A' POST FINISHER
SC2	10-WAY MULTILOCK 070 / YELLOW	ADJACENT TO STEERING COLUMN MOTOR
SC3	12-WAY MULTILOCK 070 / GREY	ADJACENT TO STEERING COLUMN MOTOR
SW1	12-WAY MULTILOCK 040 / BLACK	INSIDE STEERING COLUMN COWL
SW2	6-WAY JST / BLACK	CENTER OF STEERING WHEEL

GROUNDS

Ground	Location / Type
BT21R	EYELET (PAIR) - TRUNK / RH REAR GROUND STUD
CA30L	EYELET (PAIR) - LH 'A' POST GROUND SCREW
CA37	EYELET (SINGLE) - RH 'A' POST GROUND SCREW
CA47L	EYELET (PAIR) - DRIVE SHAFT TUNNEL GROUND STUD - RH SIDE
CA47R	EYELET (PAIR) - DRIVE SHAFT TUNNEL GROUND STUD - RH SIDE
FC17R	EYELET (PAIR) - EMS BULKHEAD GROUND STUD
LF18R	EYELET (PAIR) - LH FORWARD GROUND STUD
LF20R	EYELET (PAIR) - RH FORWARD GROUND STUD

FOR CONTROL MODULE PIN OUT INFORMATION, UNFOLD PAGE TO LEFT.

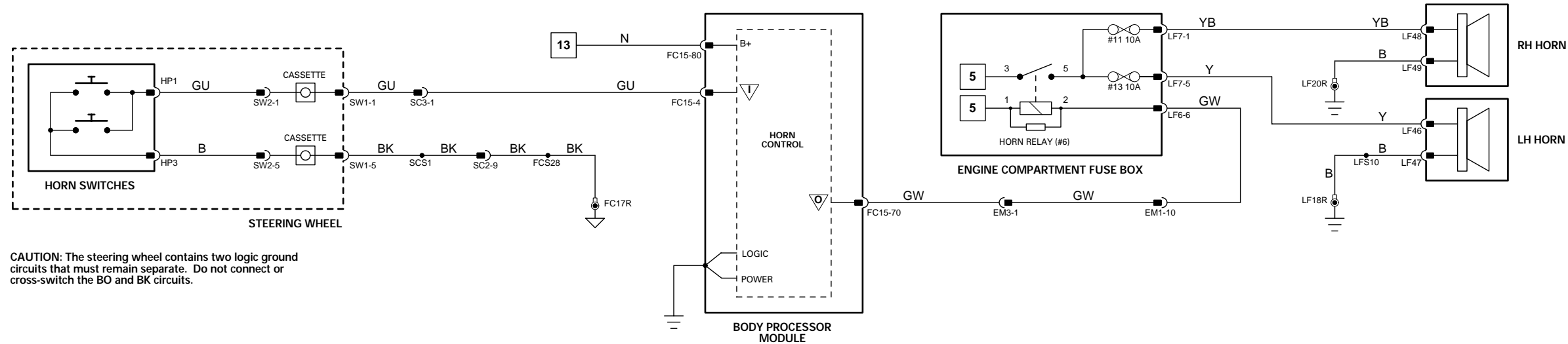
The following abbreviations are used to represent values for Control Module Pin-Out data

I	Input	SG	Sensor Ground	S	SCP Network	V	Voltage (DC)
O	Output	A	ACP Network	D	Serial and Encoded Data	Hz	Frequency
SS	Sensor Supply V	C	CAN (Network)	B+	Battery Voltage	kHz	Frequency x 1000

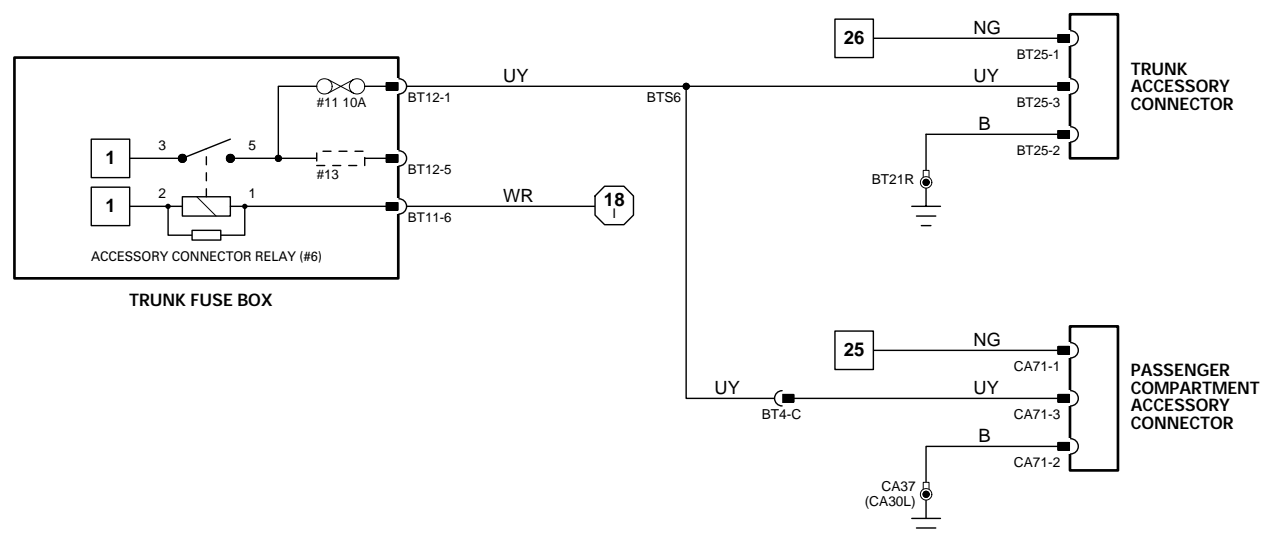
CAUTION: The information on this data page is furnished to aid the user in understanding circuit operation. THIS INFORMATION SHOULD BE USED FOR REFERENCE ONLY.

actions made and all components connected and fitted. "Active" means a load is applied or a switch is ON; "Inactive" means a load is not applied or a switch is OFF.

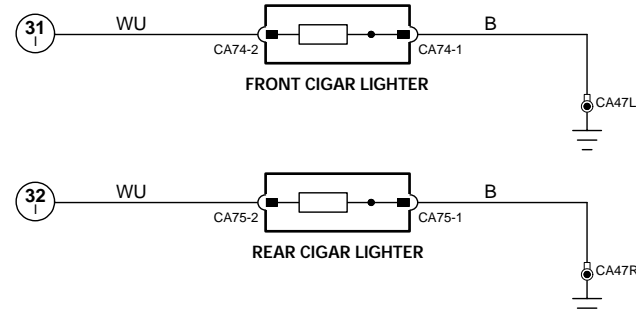
Refer to the front of this book for detailed information and illustrations regarding the location and identification of harnesses, relays, grounds, control modules and control module pins.



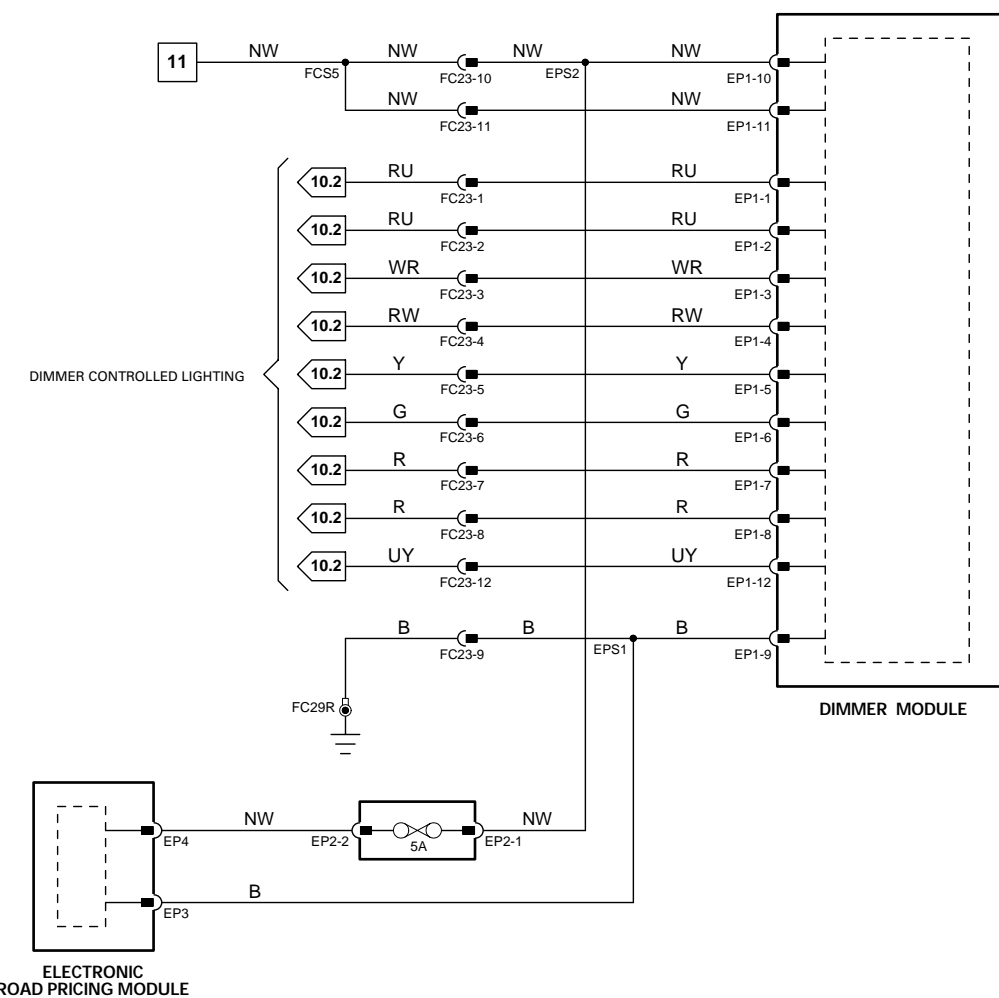
HORNS



ACCESSORY CONNECTORS



CIGAR LIGHTERS



ELECTRONIC ROAD PRICING

Fig. 21.1

COMPONENTS

Component	Connector / Type / Color	Location / Access
ABS / TRACTION CONTROL CONTROL MODULE	LF27 / 25-WAY AMP / FORD / BLACK	ENGINE COMPARTMENT / BEHIND LH HEADLAMP ASSEMBLY
BODY PROCESSOR MODULE	FC15 / 14-WAY AMP EEEC / GREY	BULKHEAD / BEHIND GLOVE BOX
DATA LINK CONNECTOR	CC6 / 16-WAY AMP (OBD2) / BLACK	TRANSMISSION TUNNEL
DOOR CONTROL MODULE – DRIVER	DD10 / 22-WAY FORD 2.8 TIMER / BLUE DD11 / 22-WAY FORD 2.8 TIMER / BLACK	DOOR CASING / TRIM PANEL
DOOR CONTROL MODULE – DRIVER REAR	RD10 / 22-WAY FORD 2.8 TIMER / BLUE RD11 / 22-WAY FORD 2.8 TIMER / BLACK	DOOR CASING / TRIM PANEL
DOOR CONTROL MODULE – PASSENGER	PD10 / 22-WAY FORD 2.8 TIMER / BLUE PD11 / 22-WAY FORD 2.8 TIMER / BLACK	DOOR CASING / TRIM PANEL
DOOR CONTROL MODULE – PASSENGER REAR	RP10 / 22-WAY FORD 2.8 TIMER / BLUE RP11 / 22-WAY FORD 2.8 TIMER / BLACK	DOOR CASING / TRIM PANEL
ENGINE CONTROL MODULE	EM80 / 31-WAY AMP 403 / NATURAL EM81 / 24-WAY AMP 403 / NATURAL EM82 / 17-WAY AMP 403 / NATURAL EM83 / 28-WAY AMP 403 / NATURAL EM84 / 22-WAY AMP 403 / NATURAL EM85 / 12-WAY MULTILOCK 070 / WHITE	ENGINE COMPARTMENT / CONTROL MODULE ENCLOSURE
GEAR SELECTOR ILLUMINATION MODULE	CC14 / 10-WAY MULTILOCK 070 / WHITE	CENTER CONSOLE ASSEMBLY
INSTRUMENT PACK	FC24 / 26-WAY AMP MICRO QUAD LOCK / BLACK FC25 / 26-WAY AMP MICRO QUAD LOCK / YELLOW	FASCIA
SEAT CONTROL MODULE – DRIVER	SD1 / 16-WAY FORD 2.8 TIMER / BLACK SD2 / 26-WAY FORD IDC / BLACK SD3 / 10-WAY FORD 2.8 TIMER / BLACK	DRIVER SEAT / UNDER
SEAT CONTROL MODULE – PASSENGER	SP1 / 16-WAY FORD 2.8 TIMER / BLACK SP3 / 10-WAY FORD 2.8 TIMER / BLACK	PASSENGER SEAT / UNDER
SPLICE HEADER – CA222	CA222 / 20-WAY SUMITOMO SPLICE HEADER / GREY	RH HEELBOARD / HEELBOARD COVER
SPLICE HEADER – CA223	CA223 / 20-WAY SUMITOMO SPLICE HEADER / BLACK	RH HEELBOARD / HEELBOARD COVER
TRANSMISSION CONTROL MODULE: AJ27 N/A	EM7 / 88-WAY BOSCH / BLACK	ENGINE COMPARTMENT / CONTROL MODULE ENCLOSURE
TRANSMISSION CONTROL MODULE: AJ27 SC	EM61 / 18-WAY AMP JUNIOR POWER TIMER / BLACK EM62 / 14-WAY AMP JUNIOR POWER TIMER / BLACK	ENGINE COMPARTMENT / CONTROL MODULE ENCLOSURE

HARNESS-TO-HARNESS CONNECTORS

Connector	Type / Color	Location / Access
BT4	54-WAY THROUGH PANEL / GREY	BELOW PARCEL SHELF / TRUNK / REAR BULKHEAD / RH SIDE
CA8	20-WAY MULTILOCK 070 / WHITE	DRIVER 'A' POST / DOOR HARNESS GAITER
CA11	20-WAY MULTILOCK 070 / WHITE	PASSENGER 'A' POST / DOOR HARNESS GAITER
CA19	20-WAY MULTILOCK 070 / YELLOW	LH 'A' POST CONNECTOR MOUNTING BRACKET / LOWER 'A' POST FINISHER
CA23	10-WAY MULTILOCK 070 / WHITE	BELOW DRIVER SEAT
CA27	10-WAY MULTILOCK 070 / WHITE	BELOW PASSENGER SEAT
CA45	6-WAY MULTILOCK 070 / WHITE	PASSENGER 'B/C' POST / DOOR HARNESS GAITER
CA46	4-WAY MULTILOCK 070 / WHITE	DRIVER 'B/C' POST / DOOR HARNESS GAITER
EM1	12-WAY AUGAT 1.6 / BLACK	ENGINE COMPARTMENT / ADJACENT TO ABS PUMP
EM2	20-WAY MULTILOCK 070 / GREY	PASSENGER 'A' POST / LOWER 'A' POST FINISHER
FC1	54-WAY THROUGH PANEL CONNECTOR / GREY	BELOW PASSENGER SIDE AIR VENT / GLOVE BOX ASSEMBLY
FC7	20-WAY MULTILOCK 070 / YELLOW	ABOVE DIMMER MODULE / COIN TRAY
FC11	18-WAY MULTILOCK 070 / WHITE	ABOVE DIMMER MODULE / COIN TRAY

GROUND

Ground	Location / Type
CC3L	EYELET (PAIR) – RH FRONT BULKHEAD STUD / CABIN SIDE

NOTE: Refer to the Appendix at the rear of this book for CAN and SCP Network messages.

The following abbreviations are used to represent values for Control Module Pin-Out data

I	Input	SG	Sensor Ground	S	SCP Network	V	Voltage (DC)
O	Output	A	ACP Network	D	Serial and Encoded Data	Hz	Frequency
SS	Sensor Supply V	C	CAN (Network)	B+	Battery Voltage	kHz	Frequency x 1000

CAUTION: The information on this data page is furnished to aid the user in understanding circuit operation. THIS INFORMATION SHOULD BE USED FOR REFERENCE ONLY.

actions made and all components connected and fitted. "Active" means a load is applied or a switch is ON; "Inactive" means a load is not applied or a switch is OFF.

Refer to the front of this book for detailed information and illustrations regarding the location and identification of harnesses, relays, grounds, control modules and control module pins.

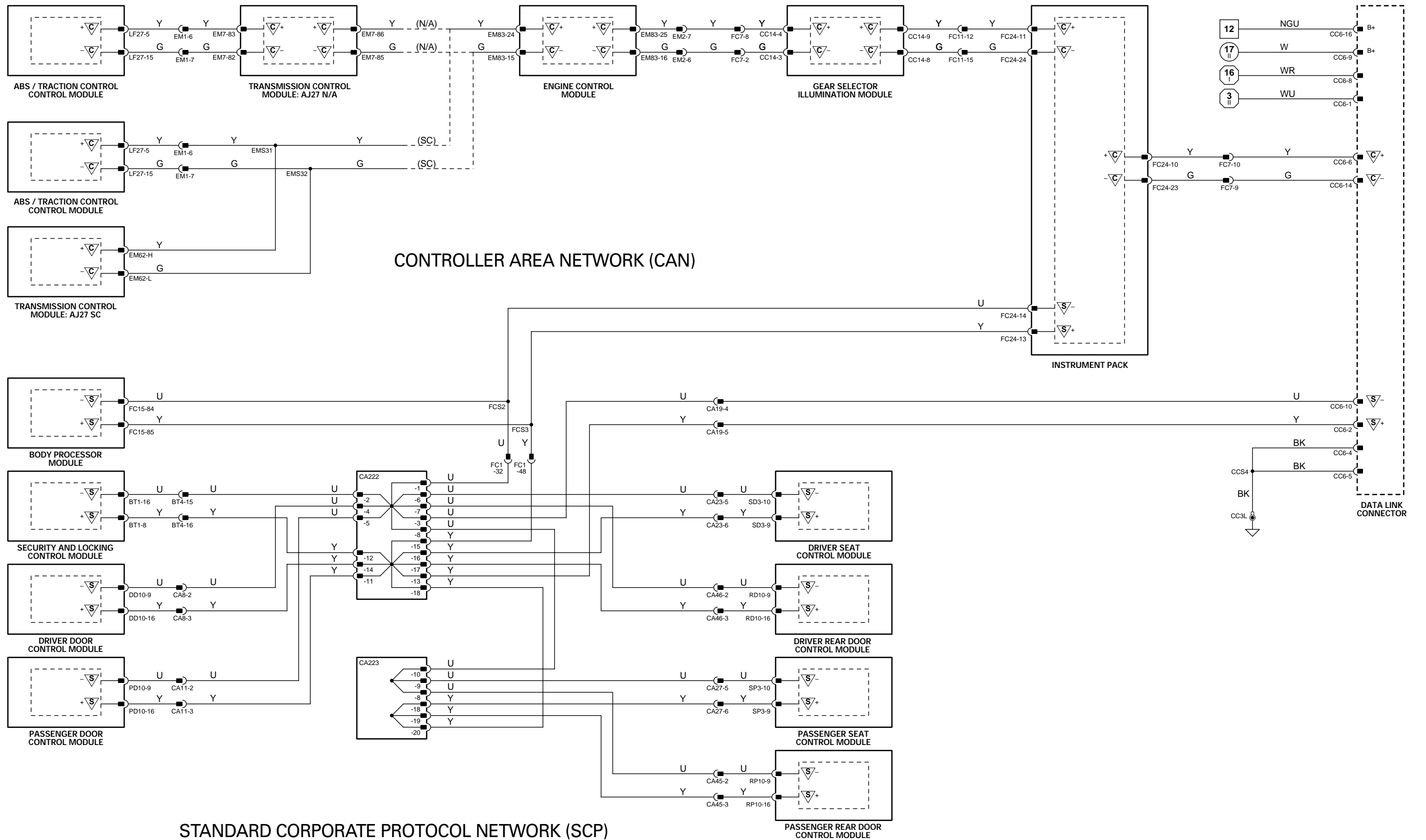


Fig. 21.2

COMPONENTS1

Component	Connector / Type / Color	Location / Access
ADAPTIVE DAMPING CONTROL MODULE	EM68 / 35-WAY AMP JUNIOR POWER TIMER / BLACK	ADJACENT TO PASSENGER SIDE BLOWER / GLOVE BOX ASSEMBLY
AIR CONDITIONING CONTROL MODULE	CC28 / 26-WAY MULTILOCK 47 / GREY CC29 / 16-WAY MULTILOCK 47 / GREY CC30 / 12-WAY MULTILOCK 47 / GREY CC31 / 22-WAY MULTILOCK 47 / GREY	RH SIDE OF TRANSMISSION TUNNEL / GLOVE BOX ASSEMBLY
AIR CONDITIONING CONTROL PANEL	CC27 / 12-WAY MULTILOCK 040 / BLUE	CENTER CONSOLE
AIRBAG / SRS SINGLE POINT SENSOR	CA61 / 50-WAY ELO50 / YELLOW	BELOW CENTER CONSOLE ASSEMBLY
BODY PROCESSOR MODULE	FC15 / 14-WAY AMP EEEC / GREY	BULKHEAD / BEHIND GLOVE BOX
DATA LINK CONNECTOR	CC6 / 16-WAY AMP (OBD2) / BLACK	TRANSMISSION TUNNEL
ENGINE CONTROL MODULE	EM80 / 31-WAY AMP 403 / NATURAL EM81 / 24-WAY AMP 403 / NATURAL EM82 / 17-WAY AMP 403 / NATURAL EM83 / 28-WAY AMP 403 / NATURAL EM84 / 22-WAY AMP 403 / NATURAL EM85 / 12-WAY MULTILOCK 070 / WHITE	ENGINE COMPARTMENT / CONTROL MODULE ENCLOSURE
KEY TRANSPONDER MODULE	FC22 / 20-WAY MULTILOCK 040 / GREEN	BELOW INSTRUMENT PACK

HARNESS-TO-HARNESS CONNECTORS

Connector	Type / Color	Location / Access
CA19	20-WAY MULTILOCK 070 / YELLOW	LH 'A' POST CONNECTOR MOUNTING BRACKET / LOWER 'A' POST FINISHER
EM2	20-WAY MULTILOCK 070 / GREY	PASSENGER 'A' POST / LOWER 'A' POST FINISHER
EM3	18-WAY MULTILOCK 070 / WHITE	PASSENGER 'A' POST / LOWER 'A' POST FINISHER
EM53	20-WAY MULTILOCK 070 / WHITE	PASSENGER 'A' POST / LOWER 'A' POST FINISHER
FC11	18-WAY MULTILOCK 070 / WHITE	ABOVE DIMMER MODULE / COIN TRAY

GROUND

Ground	Location / Type
CC3L	EYELET (PAIR) – RH FRONT BULKHEAD STUD / CABIN SIDE

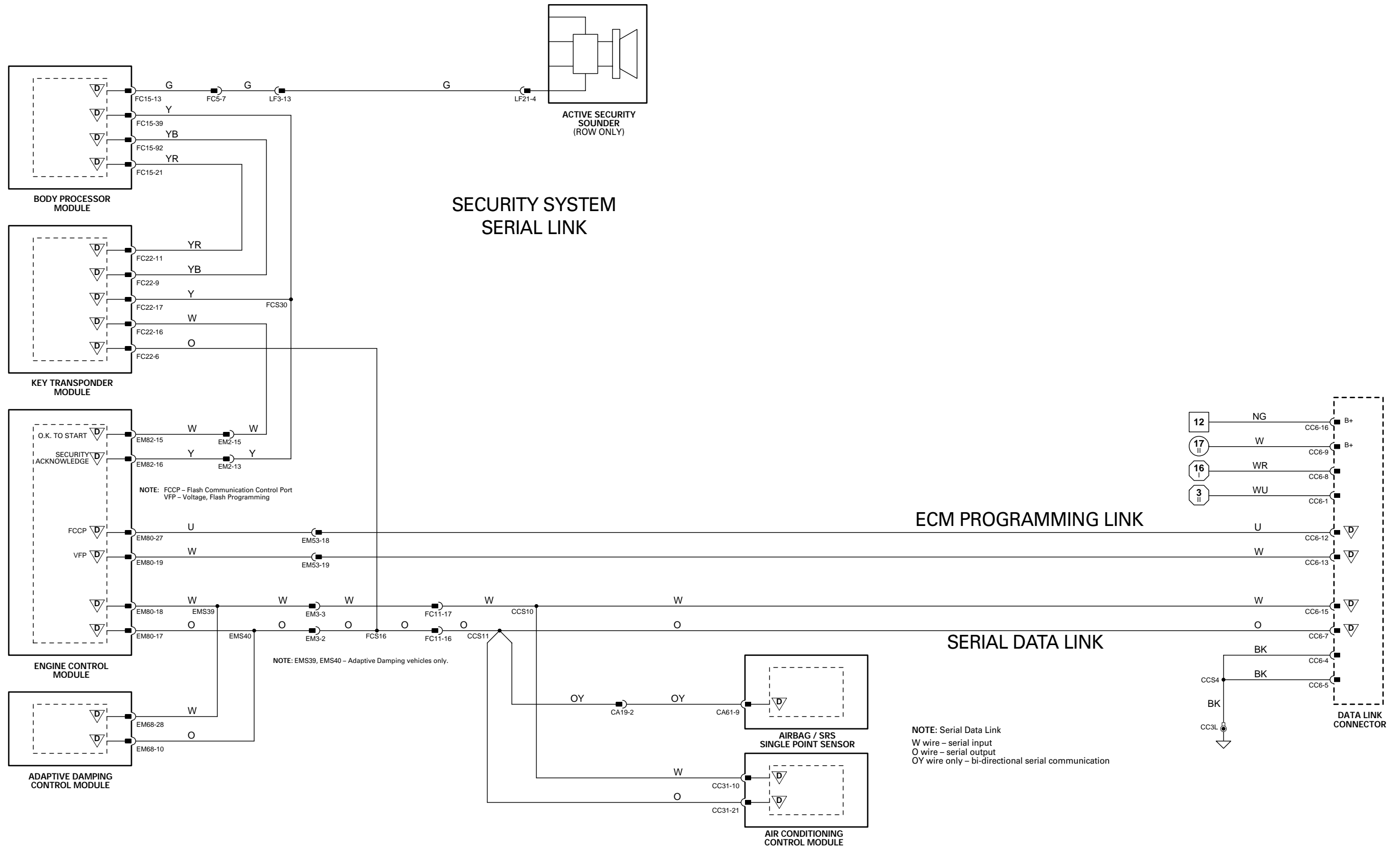
The following abbreviations are used to represent values for Control Module Pin-Out data

I	Input	SG	Sensor Ground	S	SCP Network	V	Voltage (DC)
O	Output	A	ACP Network	D	Serial and Encoded Data	Hz	Frequency
SS	Sensor Supply V	C	CAN (Network)	B+	Battery Voltage	kHz	Frequency x 1000

CAUTION: The information on this data page is furnished to aid the user in understanding circuit operation. THIS INFORMATION SHOULD BE USED FOR REFERENCE ONLY.

NOTE: The values listed are approximately those that can be expected at the control module connector pins with all circuit connections made and all components connected and fitted. "Active" means a load is applied or a switch is ON; "Inactive" means a load is not applied or a switch is OFF.

Refer to the front of this book for detailed information and illustrations regarding the location and identification of harnesses, relays, grounds, control modules and control module pins.





This Appendix contains a listing of CAN and SCP Network messages.

Abbreviations

The following abbreviations are used throughout this Appendix:

ABS/TCCM	Anti-Lock Braking / Traction Control Control Module
BPM	Body Processor Module
DIAG	Diagnostics
DDCM	Driver Door Control Module
DRDCM	Driver Rear Door Control Module
DSCM	Driver Seat Control Module
ECM	Engine Control Module
INST	Instrument Pack
J-GATE	Gear Selector Illumination Module
PDCM	Passenger Door Control Module
PRDCM	Passenger Rear Door Control Module
PSCM	Passenger Seat Control Module
R	Receive
T	Transmit
TCM	Transmission Control Module
SLCM	Security and Locking Control Module



CAN Message Matrix

Message / Function	Source	Receivers					
		ECM	TCM	ABS/TCCM	INST	J-GATE	DIAG
CAN traction acknowledge	ECM		X				
CAN traction control estimated engine torque	ECM		X				
CAN shift energy management estimated engine torque	ECM		X	X			
CAN throttle position	ECM		X	X			
CAN pedal position	ECM		X	X			
CAN torque reduction acknowledge	ECM		X				
CAN engine speed	ECM		X	X	X		
CAN brake pedal pressed	ECM			X	X		
CAN speed control status	ECM		X				
CAN parking brake status	ECM				X		
CAN OBDII clear fault codes	ECM		X	X			
CAN engine coolant temperature	ECM		X		X		
CAN engine OBDII MIL	ECM			X	X		
CAN throttle malfunction red	ECM			X	X		
CAN throttle malfunction amber	ECM			X	X		
CAN ECM fault code MIL status	ECM			X			
CAN ECM PECUS flag	ECM				X		
CAN engine fault codes	ECM			X			
CAN fuel used	ECM				X		
CAN barometric pressure	ECM		X				
CAN torque reduction request	TCM	X					
CAN transmission overload	TCM	X					
CAN transmission input speed	TCM	X		X			
CAN transmission output speed	TCM	X		X			
CAN torque converter slip	TCM	X		X			
CAN kickdown	TCM	X		X			
CAN gear position actual	TCM	X		X			
CAN torque converter status	TCM	X		X			
CAN gear position selected	TCM	X			X	X	
CAN gear selection fault	TCM	X			X	X	
CAN transmission shift map	TCM	X		X			



Message / Function	Source	Receivers					
		ECM	TCM	ABS/TCCM	INST	J-GATE	DIAG
CAN transmission oil temperature	TCM	X			X		
CAN transmission malfunction	TCM	X		X	X		
CAN TCM PECUS flag	TCM				X		
CAN gear position target (not used)	TCM			X			
CAN torque transfer in progress (not used)	TCM			X			
CAN TCM fault code MIL status	TCM	X					
CAN OBDII TCM clear acknowledge	TCM	X					
CAN transmission fault codes	TCM	X		X			
CAN torque reduction throttle	ABS/TCCM	X					
CAN fast torque reduction ignition	ABS/TCCM	X					
CAN fast torque reduction cylinder	ABS/TCCM	X					
CAN traction status	ABS/TCCM	X			X		
CAN traction shift map	ABS/TCCM		X				
CAN ABS PECUS flag	ABS/TCCM				X		
CAN vehicle reference speed	ABS/TCCM	X			X		
CAN reference distance traveled	ABS/TCCM				X		
CAN ABS fault codes	ABS/TCCM	X					
CAN OBDII ABS clear acknowledge	ABS/TCCM	X					
CAN ABS fault code MIL status	ABS/TCCM	X					
CAN ABS malfunction	ABS/TCCM	X			X		
CAN front left wheel speed	ABS/TCCM	X	X				
CAN front right wheel speed	ABS/TCCM	X	X				
CAN rear left wheel speed	ABS/TCCM	X	X				
CAN rear right wheel speed	ABS/TCCM	X	X		X		
CAN sidelight status	INST	X					
CAN dipped beam status	INST	X					
CAN main beam status	INST	X					
CAN oil pressure low	INST	X					
CAN trip units	INST	X					
CAN fuel level damped	INST	X					
CAN fuel level raw	INST	X					



CAN Message Matrix

Message / Function	Source	Receivers					
		ECM	TCM	ABS/TCCM	INST	J-GATE	DIAG
CAN NWM token ECM	ECM		X	X	X		
CAN NWM token TCM	TCM	X		X	X		
CAN NWM token INST	INST	X	X	X			
CAN NWM token ABS	ABS/TCCM	X	X		X		
CAN diagnostic data in ECM	DIAG	X					
CAN diagnostic data in TCM	DIAG		X				
CAN diagnostic data in INST	DIAG				X		
CAN diagnostic data in ABS	DIAG			X			
CAN diagnostic data out ECM	ECM						X
CAN diagnostic data out TCM	TCM						X
CAN diagnostic data out INST	INST						X
CAN diagnostic data out ABS	ABS/TCCM						X



SCP Message Matrix

#	Message Name	INST	BPM	DDCM	PDCM	DSCM	PSCM	DRDCM	PRDCM	SLCM
1	Vehicle speed	T	R	R						
2	Brake pedal pressed	T	R							R
3	Module not programmed	R	T	T	T	T	T	T	T	T
4	Left hand drive vehicle		T	R						R
5	Valet mode OFF		T							R
6	Non-superlocking vehicle		T	R						
7	Trailer disconnected		R							T
8	Right hand drive vehicle		T	R						R
9	Valet mode ON		T							R
10	Superlocking ON		T	R						
11	Trailer connected		R							T
12	Reverse gear selected	T			R					R
13	Not-in-park switch – inactive		T	R	R	R		R		
14	Not-in-park switch – active		T	R	R	R		R		
15	Engine running	T	R							
16	Charging OK	T								R
17	Inertia switch – inactive		T	R	R					
18	Inertia switch – active		T	R	R					
19	Ignition switch status	R	T	R	R	R	R	R	R	R
20	Key not-in-ignition		T	R	R	R	R	R		R
21	Key in-ignition		T	R	R	R	R	R		R
22	Seatbelt telltale OFF	R	T							
23	Low washer fluid warning OFF	R	T							
24	Seatbelt telltale ON	R	T							
25	Low washer fluid warning ON	R	T							
26	Security audible indication		R	T	T					T
27	Remote panic enabled		R	R	R					T
28	Intrusion sensing disabled									
29	Security disarm		R	R	R					T
30	Ignition key invalid		T							R
31	Intrusion breach		T							R
32	Intrusion self-check failure		T							R
33	Intrusion sensing enabled									
34	Security armed		R	R	R					T
35	Ignition key valid		T							R
36	Memory set chime		R					T		
37	Recall memory 1		R	R	R	R		T		
38	Recall memory 2		R	R	R	R		T		
39	Recall memory 3		R	R	R	R		T		
40	Set memory 1		R	R	R	R		T		
41	Set memory 2		R	R	R	R		T		
42	Set memory 3		R	R	R	R		T		
43	Stop memory recall		R	R	R	R		T		
44	Memory LED OFF			R				T		
45	Memory recall cancelled		T	T	T	T		R		
46	Memory LED ON			R				T		
47	Mirror fold-flat		R	T						
48	Mirror fold-out		R	T						
49	Stop mirror			T	R					
50	Driver mirror up			T	R					
51	Passenger mirror up			T	R					
52	Driver mirror down			T	R					
53	Passenger mirror down			T	R					
54	Passenger mirror right			T	R					
55	Passenger mirror left			T	R					
56	Unlock all doors			T / R	T / R			R	R	

continued...



SCP Message Matrix

#	Message Name	INST	BPM	DDCM	PDCM	DSCM	PSCM	DRDCM	PRDCM	SLCM
57	Unlock fuel filler flap			T						R
58	Remote unlock		R	R	R			R		T
59	Remote trunk release		R							T
60	Lock all doors		R	T	T					
61	Lock fuel filler flap			T						R
62	Superlock all doors			T / R	T / R			R	R	
63	Remote superlock			R	R					T
64	Remote lock			R	R					T
65	Vehicle unlocked		R	T						R
66	Driver front door unlocked			R	R					T
67	Passenger front door unlocked			R	R					T
68	Exterior trunk release disabled		R	T						
69	Driver door lock cylinder status		R	T	R			R	R	R
70	Passenger door lock cylinder status		R	R	T			R	R	R
71	Remote transmitter ID							R		T
72	Vehicle locked		R	T						R
73	Driver front door locked			R	R					T
74	Passenger front door locked			R	R					T
75	Exterior trunk release enabled		R	T						
76	Central locking switch active		T	R	R					R
77	Open trunk		T							R
78	Hood closed	R	T	R	R					R
79	Driver front door closed	R	R	T	R	R		R		R
80	Passenger front door closed	R	R	R	T		R			R
81	Driver rear door closed	R	R	R	R			T		R
82	Passenger rear door closed	R	R	R	R				T	R
83	Trunk closed	R	R	R	R					T
84	Hood ajar	R	T	R	R					R
85	Driver front door ajar	R	R	T	R	R		R		R
86	Passenger front door ajar	R	R	R	T		R			R
87	Driver rear door ajar	R	R	R	R			T		R
88	Passenger rear door ajar	R	R	R	R				T	R
89	Trunk ajar	R	R	R	R					T
90	Exterior trunk release active		R							T
91	Driver seat exit position		T			R				
92	Driver seat entry / exit mode initiated		T			R				
93	Sunroof position status		R	T						
94	Stop global window close		T	R	R			R	R	
95	Stop sunroof close		R	T						
96	Stop passenger front window			T	R					
97	Stop driver rear window			T				R		
98	Stop passenger rear window			T					R	
99	Rear window switches – enable		T					R	R	
100	Open passenger front window			T	R					
101	Open driver rear window			T				R		
102	Open passenger rear window			T					R	
103	Global close windows		T	R	R			R	R	
104	Close driver front window			R						
105	Close sunroof		R	T						
106	Close passenger front window			T	R					
107	Close driver rear window			T				R		
108	Close passenger rear window			T					R	
109	Inhibit rear window switches		T					R	R	
110	Tail lamp failure	R	T							
111	Stop lamp failure	R								T
112	Tail lamps OK	R	T							
113	Stop lamps OK	R								T
114	Rear fog lamps OFF		T							R



#	Message Name	INST	BPM	DDCM	PDCM	DSCM	PSCM	DRDCM	PRDCM	SLCM
115	Remote headlamps OFF		R							T
116	Rear fog lamps ON		T							R
117	Remote headlamps ON		R							T
118	Dip beam OFF	R	T							
119	Side lamps OFF	R	T							
120	Hazard lamps OFF	R	T							
121	Left DI lamps OFF	R	T							
122	Right DI lamps OFF	R	T							
123	Main beam OFF	R	T							
124	Rear fog lamps OFF		R							T
125	Main beam flash disabled		T							R
126	Dip beam ON	R	T							
127	Side lamps ON	R	T							
128	Hazard lamps ON	R	T							
129	Left DI lamps ON	R	T							
130	Right DI lamps ON	R	T							
131	Main beam ON	R	T							
132	Rear fogs status – ON		R							T
133	Main beam flash enabled		T							R
134	Interior lights OFF	R	T							
135	Interior lights ON	R	T							
136	Valet mode message OFF	R	T							
137	Valet mode message	R	T							
138	Wake-up network	T	T	T	T	T	T	T	T	T
139	Network status – awake	T/R	T/R	T/R	T/R	T/R	T/R	T/R	T/R	T/R
140	Entering sleep mode	T/R	T/R	T/R	T/R	T/R	T/R	T/R	T/R	T/R

