


# XJS Range 1993 Electrical Guide

 **WARNING:** This publication is intended for use by professional technicians with knowledge of Jaguar vehicle systems. All necessary safety precautions must be taken when servicing or handling components and systems that have the potential for causing bodily injury or death.

Publication number S-72 / 93

© 1993 Jaguar Cars Inc.

All rights reserved. All material contained herein is based on the latest information available at the time of publication. The right is reserved to make changes at any time without notice.

**Front Matter**

Component Index	i - iii
Key to Symbols and Codes	iv - v
Connector Identification	vi
ECU Identification and Location	vii
Component Panel Location	viii
Relay Identification and Location	ix
Fuse Identification and Location	x - xi

**Wiring Diagrams**

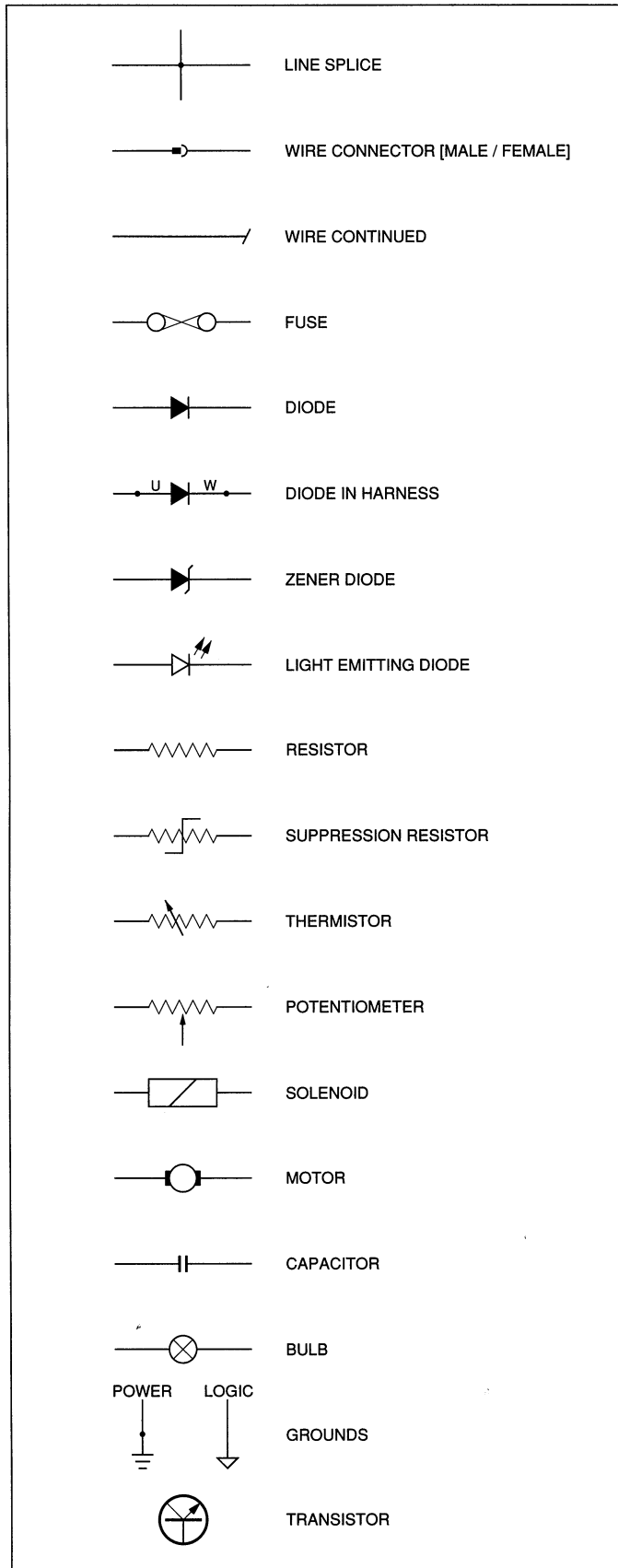
Battery Power Distribution	FIG 1
Ignition Switched Power Distribution	FIG 2
Battery; Starter; Generator; Gear Shift Interlock	FIG 3
Headlights; Fog Lights	FIG 4
Side Lights; Tail Lights	FIG 5
Turn Signals; Hazard Warning Lights; Stop Lights	FIG 6
Interior Lighting; Trunk Lighting	FIG 7
Instrument Lighting; Locate Lighting	FIG 8
Instrument Pack	FIG 9
Trip Computer	FIG 10
Audible Warnings	FIG 11
Central Locking	FIG 12
Powered Windows	FIG 13
Horns; Cigar Lighters	FIG 14
Powered Seat: Driver; Powered Mirrors	FIG 15
Powered Seat: Passenger	FIG 16
Seat Heaters	FIG 17
Heaters: Rear Window, Door Mirrors	FIG 18
Windshield Wipers; Windshield and Headlight Washers	FIG 19
Anti-Lock Braking	FIG 20
Cruise Control	FIG 21
In-Car Entertainment	FIG 22
Climate Control	FIG 23
A/C Compressor Clutch; Auxiliary Cooling Fan	FIG 24
Engine Management System; Engine Breather Heater	FIG 25
Transmission Control	FIG 26
Convertible Top	FIG 27
Security System	FIG 28

ABS ECU	FIG 20	CONVERTIBLE TOP MOTOR	FIG 27
ABS MAIN VALVE	FIG 20	CONVERTIBLE TOP SWITCH	FIG 27
ABS PUMP	FIG 20	COOLANT LEVEL SENSOR	FIG 9
ABS RESERVOIR	FIG 20	COOLANT LEVEL TRANSMITTER	FIG 9
ABS VALVE BLOCK	FIG 20	COOLANT TEMPERATURE SENSOR	FIG 25
AIR CONDITIONING COMPRESSOR	FIG 24	COOLANT TEMPERATURE SWITCH	FIG 23
AIR INJECTION PUMP	FIG 25	COOLANT TEMPERATURE TRANSMITTER	FIG 9
AIR INJECTION SOLENOID VACUUM VALVE	FIG 25	COOLANT VALVE VACUUM SOLENOID	FIG 23
AIR TEMPERATURE SENSOR	FIG 25	COOLING FAN	FIG 24
AMBIENT TEMPERATURE SENSOR	FIG 19	CRANKSHAFT SENSOR	FIG 25
AMPLIFIER	FIG 25	CRUISE CONTROL ECU	FIG 21
ANTENNA	FIG 22	CRUISE CONTROL MASTER SWITCH	FIG 21
ANTI-SLOSH MODULE	FIG 9	CRUISE CONTROL RESUME SWITCH	FIG 21
BACKUP BATTERY	FIG 28	DEFROST VACUUM SOLENOID	FIG 23
BATTERY	FIG 1	DIAGNOSTIC CONNECTOR	FIG 20
BLOWER – LEFT	FIG 23	DIMMER CONTROL	FIG 8
BLOWER – RIGHT	FIG 23	DIMMER CONTROL UNIT	FIG 8
BRAKE SWITCH	FIG 3 FIG 21	DOOR LOCK CONTROL UNIT	FIG 12
BREATHER HEATER	FIG 25	DOOR LOCK MOTOR – DRIVER'S	FIG 12
BULB CHECK UNIT	FIG 9	DOOR LOCK MOTOR – PASSENGER'S	FIG 12
BULB FAILURE UNIT – LEFT FRONT	FIG 5	DOOR SWITCH PACK – DRIVER'S	FIG 8 FIG 15 FIG 17
BULB FAILURE UNIT – LEFT REAR	FIG 5	DOOR SWITCH PACK – PASSENGER'S	FIG 8 FIG 16 FIG 17
BULB FAILURE UNIT – RIGHT FRONT	FIG 5	DOOR SWITCH – DRIVER'S	FIG 5 FIG 7 FIG 11 FIG 15 FIG 28
BULB FAILURE UNIT – RIGHT REAR	FIG 5	DOOR SWITCH – PASSENGER'S	FIG 7 FIG 16 FIG 28
BULB FAILURE UNIT – STOP LIGHT	FIG 6	DRIVER'S SEAT AND MIRROR ECU	FIG 15
CD AUTO CHANGER	FIG 22	DRIVER'S SEAT BELT SWITCH	FIG 11
CD HEAD UNIT	FIG 22	DUMP VALVE	FIG 21
CENTER VENT VACUUM SOLENOID	FIG 23	EGR SOLENOID VACUUM VALVE	FIG 25
CIGAR LIGHTER	FIG 8 FIG 14	EGR TEMPERATURE SENSOR	FIG 25
CLIMATE CONTROL ECU	FIG 23	ENGINE AND TRANS. DATA LINK CONNECTOR	FIG 25 FIG 26
CLIMATE CONTROL PANEL	FIG 8	ENGINE CONTROL MODULE	FIG 25
CLUTCH SWITCH (M5 ONLY)	FIG 21	EVAPORATOR TEMPERATURE SENSOR	FIG 23
COLUMN SWITCH GEAR	FIG 8	FAN RUN-ON DIODE UNIT	FIG 24
COMBINED PRESSURE SWITCH	FIG 20		
CONTROL VALVE	FIG 21		
CONVERTIBLE TOP ECU	FIG 27		
CONVERTIBLE TOP FUSE	FIG 27		

FEEDBACK POTENTIOMETER – LOWER	FIG 23	KEY IN SWITCH	FIG 5
FEEDBACK POTENTIOMETER – UPPER	FIG 23		FIG 11
FLASHER UNIT	FIG 6	KEY LOCK SOLENOID	FIG 3
FOG LIGHT SWITCH	FIG 4	KICKDOWN SWITCH	FIG 26
	FIG 8	LIGHTING AND TURN SIGNAL SWITCH	FIG 4
FUEL FILLER FLAP SOLENOID	FIG 12		FIG 5
FUEL INJECTORS	FIG 25		FIG 6
FUEL LEVEL TRANSMITTER	FIG 9	LIGHTS ON AUDIBLE WARNING UNIT	FIG 5
FUEL PUMP	FIG 25		FIG 11
FUSE PANEL – LEFT	FIG 1	MAP AND INTERIOR LIGHTING SWITCH	FIG 8
	FIG 2	MASS AIR FLOW METER	FIG 25
	FIG 8	MIRROR ADJUST SWITCH PACK	FIG 15
	FIG 17	MODE CONTROL SWITCH	FIG 23
	FIG 22	NEUTRAL SWITCH	FIG 3
FUSE PANEL – LEFT FRONT	FIG 1	OIL PRESSURE SWITCH	FIG 9
	FIG 4	OIL PRESSURE TRANSMITTER	FIG 9
FUSE PANEL – LEFT REAR	FIG 5	OXYGEN SENSOR	FIG 25
FUSE PANEL – RIGHT	FIG 1	PARK MICRO SWITCH	FIG 3
	FIG 2	PARKING BRAKE SWITCH	FIG 6
	FIG 5		FIG 9
	FIG 17		FIG 27
FUSE PANEL – RIGHT REAR	FIG 1	PASSENGER'S SEAT CONTROL UNIT	FIG 16
	FIG 5	PURGE VALVE	FIG 25
GEAR SELECTOR	FIG 8	QUARTER WINDOW MOTOR – LEFT	FIG 27
GEAR SELECTOR SWITCH (A4 ONLY)	FIG 21	QUARTER WINDOW MOTOR – RIGHT	FIG 27
GEAR SHIFT CONTROL MODULE	FIG 3	RADIATOR THERMAL SWITCH	FIG 24
GEAR SHIFT SOLENOID	FIG 3	RADIO	FIG 8
GENERATOR	FIG 3		FIG 22
HAZARD AND HEATED REAR WINDOW SWITCH	FIG 8	RECIRCULATION VACUUM SOLENOID	FIG 23
HAZARD SWITCH	FIG 6	RELAY – ABS MAIN	FIG 20
HEADLIGHT CONTROL UNIT	FIG 4	RELAY – ABS PUMP	FIG 20
HEATED REAR WINDOW SWITCH	FIG 18	RELAY – AIR INJECTION	FIG 25
HEATED REAR WINDOW TIMER	FIG 18	RELAY – ANTENNA DELAY	FIG 22
HORN SWITCH	FIG 14	RELAY – AUXILIARY LOAD	FIG 2
HORN S	FIG 14	RELAY – BREATHER HEATER	FIG 25
IDLE SPEED ACTUATOR	FIG 25	RELAY – COMPRESSOR CLUTCH	FIG 24
IGNITION COIL	FIG 25	RELAY – COOLING FAN	FIG 24
IGNITION SWITCH	FIG 2	RELAY – EMS MAIN	FIG 25
	FIG 3	RELAY – FRONT FOG	FIG 4
IN-CAR TEMPERATURE SENSOR	FIG 23	RELAY – FUEL PUMP	FIG 25
INERTIA SWITCH	FIG 2	RELAY – HEADLIGHT	FIG 4
INSTRUMENT PACK	FIG 8	RELAY – HEADLIGHT FLASH	FIG 28
	FIG 9		
INTERIOR LIGHT DELAY UNIT	FIG 7		
INTERIOR LIGHTING SWITCH	FIG 7		

RELAY – HORN	FIG 14	THROTTLE POSITION SENSOR	FIG 25 FIG 26
RELAY – LEFT QUARTER DOWN	FIG 27	TRANSMISSION CONTROL MODULE	FIG 26
RELAY – LEFT QUARTER UP	FIG 27	TRANSMISSION	FIG 26
RELAY – LOAD	FIG 2	TRANSMISSION MODE SWITCH	FIG 26 FIG 8
RELAY – REAR FOG	FIG 4	TRANSMISSION ROTARY SWITCH	FIG 5 FIG 15 FIG 26 FIG 27
RELAY – REVERSE LIGHTS	FIG 5 FIG 15		
RELAY – RIGHT QUARTER DOWN	FIG 27	TRIP COMPUTER	FIG 10
RELAY – RIGHT QUARTER UP	FIG 27	TRUNK LIGHT SWITCH	FIG 7 FIG 28
RELAY – SEAT HEATER	FIG 17 FIG 22	TRUNK LOCK MOTOR	FIG 12
RELAY – SIDE LIGHTS	FIG 5 FIG 8 FIG 11	VALET SWITCH	FIG 28
RELAY – START INHIBIT	FIG 3 FIG 28	WARNING LED	FIG 28
RELAY – STARTER	FIG 3	WASHER PUMPS	FIG 19
RELAY – STOP LIGHT	FIG 6	WASHER RESERVOIR LEVEL SENSOR	FIG 9
RELAY – TOP DOWN	FIG 27	WHEEL SPEED SENSORS	FIG 20
RELAY – TOP UP	FIG 27	WINDOW LIFT THERMAL BREAKER	FIG 13
RELAY – TRANSMISSION POWER	FIG 26	WINDOW MOTOR – DRIVER'S	FIG 13
RELAY – TRANSMISSION WARNING	FIG 26	WINDOW MOTOR – PASSENGER'S	FIG 13
RFI FILTER	FIG 25	WINDOW SWITCH – DRIVER'S	FIG 13
SEAT BELT LOGIC UNIT	FIG 11	WINDOW SWITCH – PASSENGER'S	FIG 13
SEAT HEATER CONTROL UNIT – DRIVER'S	FIG 17	WIPER LOGIC UNIT	FIG 19
SEAT HEATER CONTROL UNIT – PASSENGER'S	FIG 17	WIPER MOTOR UNIT	FIG 19
SEAT HEATERS – DRIVER'S	FIG 17	WIPER SWITCH	FIG 19
SEAT HEATERS – PASSENGER'S	FIG 17		
SECURITY SYSTEM ECU	FIG 28		
SERVO – LOWER	FIG 23		
SERVO – UPPER	FIG 23		
SHOCK SENSOR	FIG 28		
SIREN	FIG 28		
SPEED INTERFACE UNIT	FIG 10 FIG 21		
SPEED SENSOR	FIG 10 FIG 21		
STARTER MOTOR AND SOLENOID	FIG 3		
STOP LIGHT SWITCH	FIG 6 FIG 21		
TEMPERATURE DEMAND POTENTIOMETER	FIG 23		
TEMPERATURE DIFFERENTIAL POTENTIOMETER	FIG 23		
THERMAL BREAKERS	FIG 27		

**Wiring Symbols**



**Wiring Color Codes**

N	Brown	Y	Yellow
B	Black	O	Orange
W	White	S	Slate
K	Pink	L	Light
G	Green	U	Blue
R	Red	P	Purple

When a wire has two or more color code letters, the first letter indicates the main color and the subsequent letter(s) indicate the tracer color(s).

**Wiring Harness Codes**

Code	Description
AB	ABS harness
BL	Boot lid harness
BN	Binnacle harness
CC	Cruise control harness
CH	Console harness
CS	Column switch gear harness
DD	Driver's door harness
DS	Driver's seat harness
EM	Engine management harness
FP	Fuel pump harness
GH	Gearbox harness
GS	Gear select harness
HH	Hood harness (convertible top)
HL	High level stop light harness
LB	Bulkhead harness (left-hand drive)
LF	Left forward harness
LI	Lucas injection harness
PD	Passenger's door harness
PS	Passenger's seat harness
RC	Rear courtesy light harness
RF	Right forward harness
RH	Rearward harness
SAC	Air conditioning harness
SB	Seat belt harness
SC	Security system harness
SH	Seat harness
SM	Driver's seat ECU harness
SN	Passenger's seat control harness
SS	Steering column switch gear harness
ST	Starter motor harness

## Connector Codes

HARNESS CODE + CONNECTOR NUMBER + PIN NUMBER

EXAMPLE: LB13-24 (pin number is separated by a dash)

Note: Absence of a dash and a pin number indicates a single wire connector.

## Splice Codes

HARNESS CODE + S + IDENTIFICATION NUMBER

EXAMPLE: LBS3 (no dash is used)

## Ground Codes

HARNESS CODE + G + IDENTIFICATION NUMBER

EXAMPLE: LBG78 (no dash is used)

## Diode Codes

HARNESS CODE + D + IDENTIFICATION NUMBER

EXAMPLE: LSD3 (no dash is used)

## Reference Symbols

Two reference symbols are used to indicate the remainder of the circuit (feed and ground) and refer the reader to one of two preliminary figures.

 BATTERY POWER DISTRIBUTION (FIG 1)

 IGNITION SWITCHED POWER DISTRIBUTION (FIG 2)

## Reference Flags

 REFERENCE FLAG

This symbol refers the reader to a figure number only. It does not refer to a flag with the same number on a different figure.

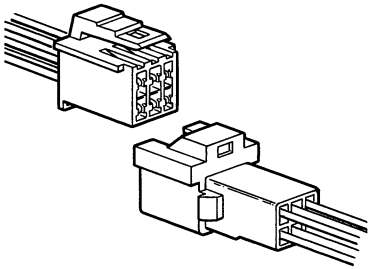
As used in figures 1, 2 and 3, the FLAG refers to a figure number where the circuit is continued. In this instance, the reader matches the BOX or DIAMOND numbers to trace the circuit.

In most other cases, it is not necessary to refer to another figure for completion of a circuit. The FLAGS are used to indicate parallel circuits and circuits which share components. Most of the circuits where this situation occurs are overlapped to avoid the necessity for cross-referencing to another figure.

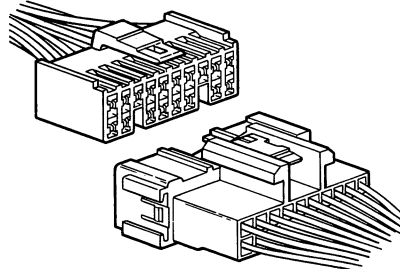
## Data Pages

Every wiring diagram has a corresponding data page to its left in the book. This information aids the reader in identifying and locating components, connectors and ground points. Additionally, where applicable, processor and logic unit INPUT / OUTPUT information is provided to aid the reader in understanding circuit operation. This information should not be used for diagnostic purposes.

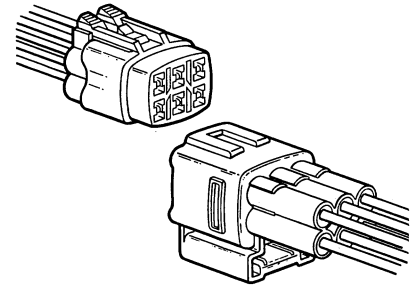
**SUMITOMO STANDARD**



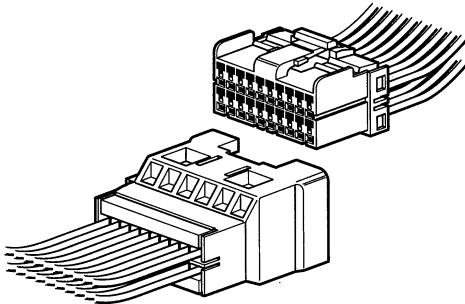
**SUMITOMO BLOCK**



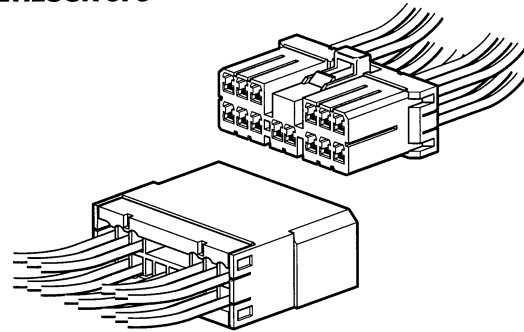
**SUMITOMO SEALED**



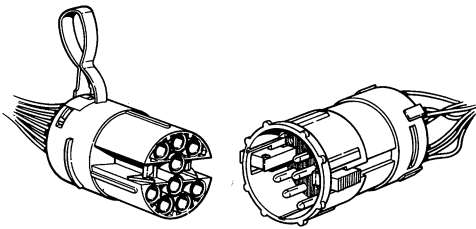
**MULTILOCK 040**



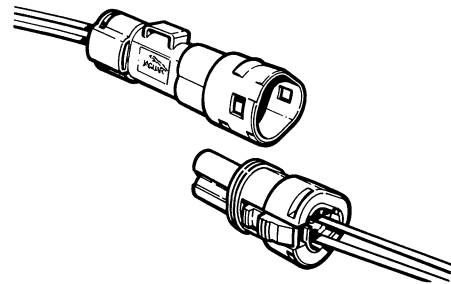
**MULTILOCK 070**



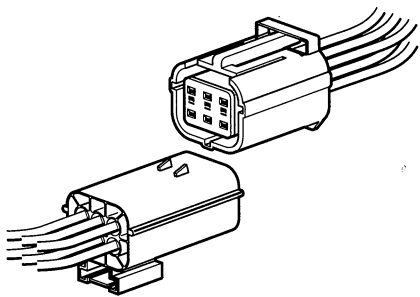
**PM 4**



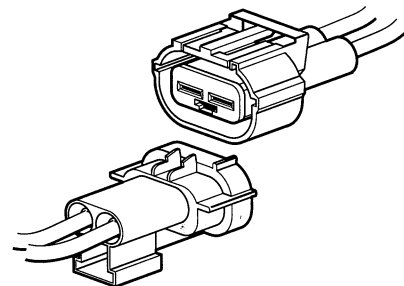
**PM 5**



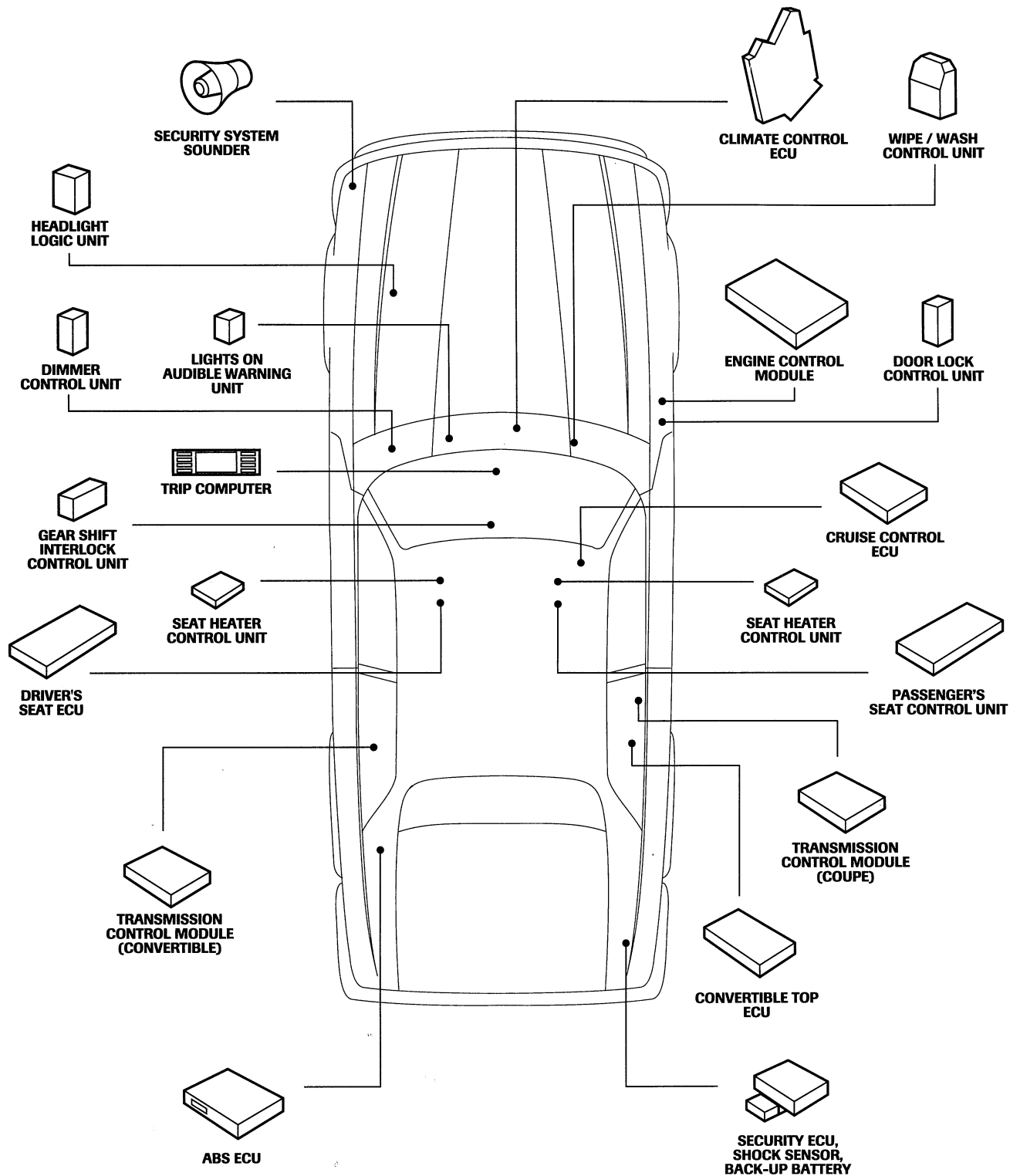
**ECONOSEAL III LC**

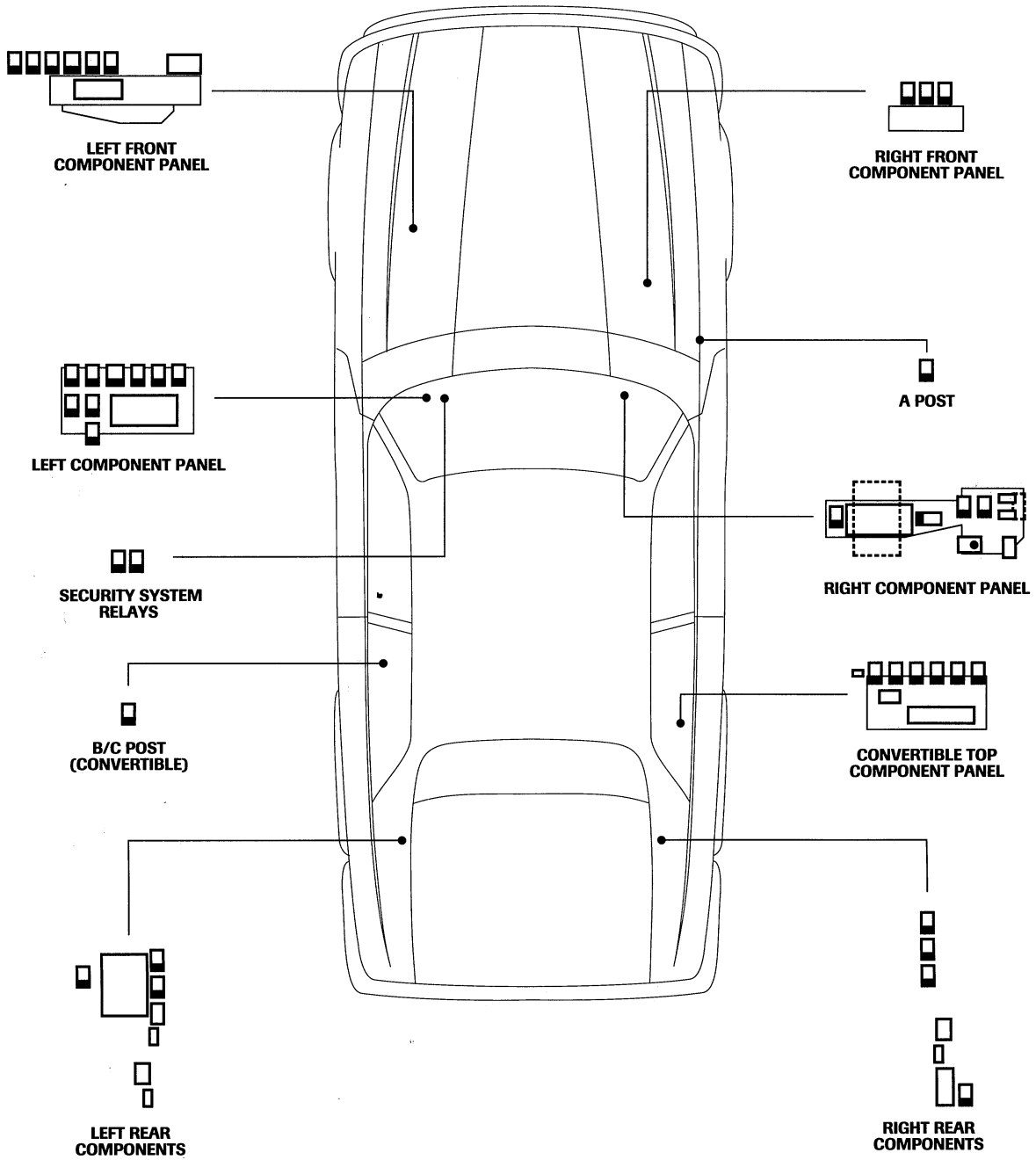


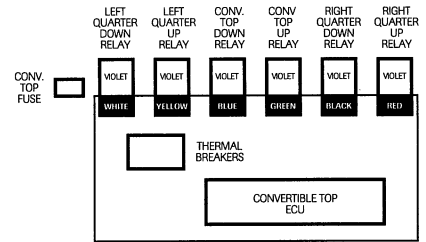
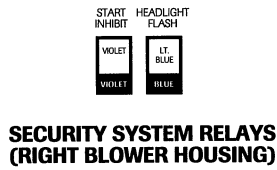
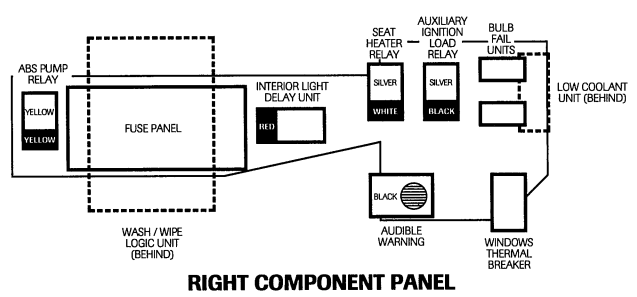
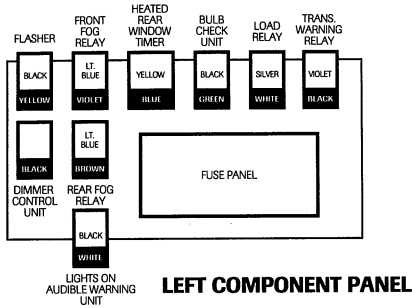
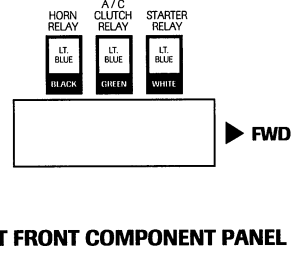
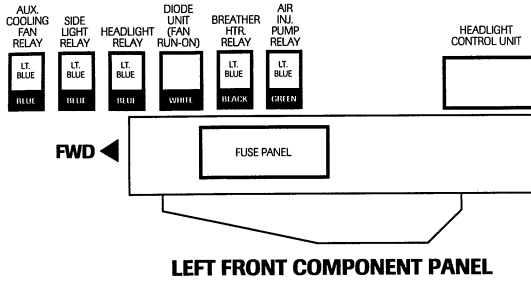
**ECONOSEAL III HC**



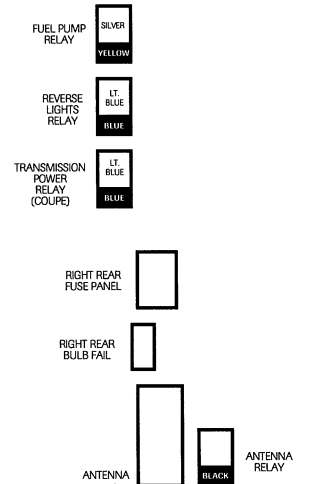
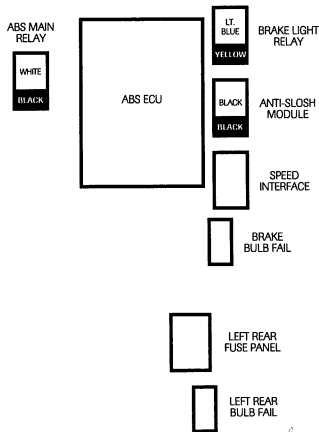








**STORAGE COMPARTMENT – LEFT SIDE, BEHIND PANEL (CONVERTIBLE)**



**Left fuse panel**

Number	Color	Value	Circuit
1	Lt. Blue	15A	Driver's seat movement – fore, aft, lumbar
2	Violet	3A	Not used
3	Yellow	20A	Left blower
4	Pink	4A	Telephone ignition power (optional)
5	Tan	5A	Telephone battery power (optional)
6	Tan	5A	Radio memory
7	Red	10A	Radio power
8	Red	10A	Windshield washer pump
9	Red	10A	Driver's seat heater
10	–	–	Not used
11	Red	10A	Trunk lighting
12	Yellow	20A	Driver's seat movement – recline
13	Violet	3A	Trip computer memory; Gear shift interlock
14	Violet	3A	Power mirrors; door switch packs; seat memory
15	Pink	4A	Heated washer jets; Engine breather heater
16	Tan	5A	Trip computer; Gear shift interlock
17	Tan	5A	Rear fog lights
18	Brown	7.5A	Locate lighting; instrument pack lighting
19	Red	10A	Hazard warning; seat belt warning logic
20	Lt. Blue	15A	Front fog lights
21	–	–	Not used
22	Lt. Blue	15A	Heated rear window; heated door mirrors

**Right fuse panel**

Number	Color	Value	Circuit
1	Lt. Blue	15A	Passenger's seat movement – fore, aft, lumbar
2	Violet	3A	Cruise control
3	Yellow	20A	Right blower
4	Red	5A	Interior lighting
5	Brown	7.5A	Turn signals
6	Red	10A	Central door locking
7	Red	10A	Cigar lighter
8	Lt. Blue	15A	Windshield wipers
9	Lt. Green	30A	Headlight power wash
10	Violet	3A	Transmission memory (A4 only)
11	Lt. Green	30A	ABS main
12	Yellow	20A	Passenger's seat movement – recline
13	Violet	3A	Left front side lights
14	Violet	3A	Right front side lights
15	Violet	3A	Climate control (ECU and control circuit); cooling fan run-on
16	Tan	5A	Air conditioning relay
17	Red	10A	Passenger's seat heater
18	Lt. Blue	15A	Horns
19	Lt. Blue	15A	Stop lights
20	Lt. Blue	15A	Not used
21	Red	10A	Transmission control (A4 only)
22	Lt. Green	30A	ABS pump

## Left front fuse panel

Number	Color	Value	Circuit
1	-	-	Not used
2	-	-	Not used
3	-	-	Not used
4	-	-	Not used
5	Red	10A	Left headlight high beam
6	Red	10A	Right headlight high beam
7	Red	10A	Cooling fan
8	Lt. Blue	15A	Not used
9	Brown	7.5A	Left headlight low beam
10	Brown	7.5A	Right headlight low beam
11	-	-	Not used
12	Violet	3A	Not used

## Left rear fuse panel

Number	Color	Value	Circuit
1	Violet	3A	Left tail, left license plate lighting
2	Violet	3A	Not used
3	Violet	3A	Not used

## Right rear fuse panel

Number	Color	Value	Circuit
1	Violet	3A	Right tail, right license plate lighting
2	Red	10A	Antenna
3	Tan	5A	Reverse lights

## Convertible top fuse

Number	Color	Value	Circuit
1	Lt. Green	30A	Convertible top

## In-line fuses

Color	Value	Circuit	Location
Violet	3A	Driver's lumbar motor	Driver's seat back
Violet	3A	Passenger's lumbar motor	Passenger's seat back
Tan	5A	Serial communications data link	Center console, right side
Brown	7.5A	Security system	Trunk, right rear
Tan	5A	Right rear side lights	Trunk, right rear
Tan	5A	Left rear side lights	Trunk, left rear

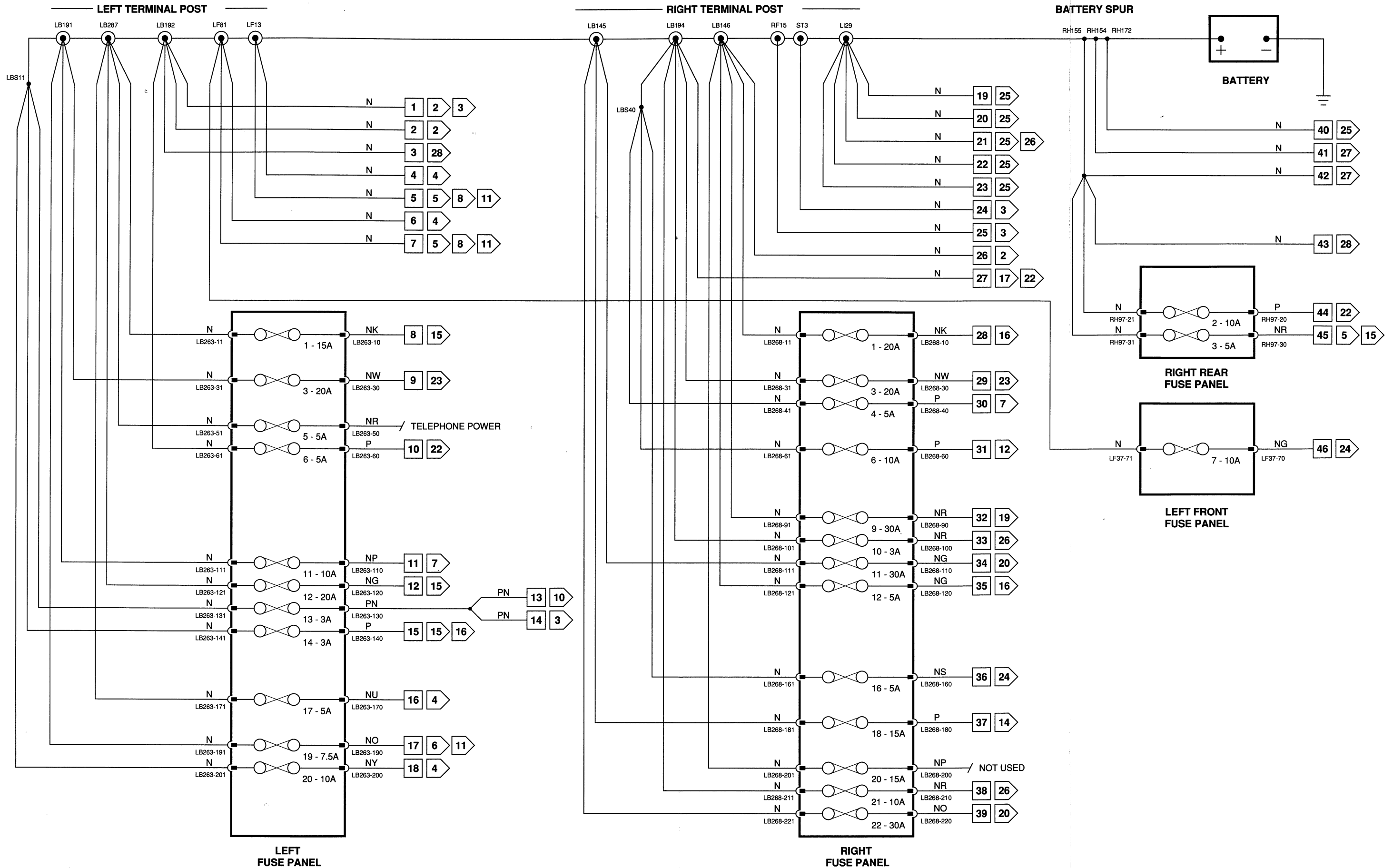
# FIG 1 DATA

## COMPONENTS

DESCRIPTION	LOCATION	ACCESS
BATTERY	TRUNK	REMOVE TRIM
FUSE PANEL — LEFT FRONT	LEFT FRONT COMPONENT PANEL	ENGINE COMPARTMENT, LEFT
FUSE PANEL — LEFT	LEFT COMPONENT PANEL	LEFT DASH UNDER PANEL
FUSE PANEL — RIGHT REAR	RIGHT TAIL LIGHT	TRUNK, RIGHT LIGHT TRIM
FUSE PANEL — RIGHT	RIGHT COMPONENT PANEL	RIGHT DASH UNDER PANEL

## CONNECTORS

CODE	DESCRIPTION	LOCATION / INTERFACE
LB145	EYELET	RIGHT BULKHEAD, BEHIND DASH / BATTERY POSITIVE STUD
LB146	EYELET	RIGHT BULKHEAD, BEHIND DASH / BATTERY POSITIVE STUD
LB191	EYELET	LEFT BULKHEAD, BEHIND DASH / BATTERY POSITIVE STUD
LB192	EYELET	LEFT BULKHEAD, BEHIND DASH / BATTERY POSITIVE STUD
LB194	EYELET	RIGHT BULKHEAD, BEHIND DASH / BATTERY POSITIVE STUD
LB263	22-WAY FUSE PANEL	DRIVER'S FOOTWELL / LEFT FUSE PANEL
LB268	22-WAY FUSE PANEL	PASSENGER'S FOOTWELL / RIGHT FUSE PANEL
LB287	EYELET	LEFT BULKHEAD, BEHIND DASH / BATTERY POSITIVE STUD
LF13	EYELET	LEFT BULKHEAD, ENGINE COMPARTMENT / BATTERY POSITIVE STUD
LF37	12-WAY FUSE PANEL	LEFT FRONT INNER FENDER / LEFT FRONT FUSE PANEL
LF81	EYELET	LEFT BULKHEAD, ENGINE COMPARTMENT / LF HARNESS
LI29	EYELET	RIGHT BULKHEAD, BEHIND DASH / BATTERY POSITIVE STUD
RF15	EYELET	RIGHT BULKHEAD, ENGINE COMPARTMENT / ALTERNATOR
RH97	3-WAY FUSE PANEL	RIGHT REAR FUSE PANEL / POWER ANTENNA
RH154	SPUR	TRUNK, BATTERY POSITIVE CABLE / CONVERTIBLE TOP
RH155	SPUR	TRUNK, BATTERY POSITIVE CABLE / CONVERTIBLE TOP
RH172	SPADE	TRUNK, BATTERY POSITIVE CABLE / FUEL PUMP RELAY
ST3	EYELET	RIGHT BULKHEAD, ENGINE COMPARTMENT / STARTER SOLENOID



NOTE: ONLY FUSES WITH DIRECT BATTERY POWER SUPPLY ARE SHOWN.

# FIG 2 DATA

## COMPONENTS

### DESCRIPTION

FUSE PANEL — LEFT  
FUSE PANEL — RIGHT  
IGNITION SWITCH  
INERTIA SWITCH  
RELAY — AUXILIARY LOAD (LB139)  
RELAY — LOAD (LB175)

### LOCATION

LEFT COMPONENT PANEL  
RIGHT COMPONENT PANEL  
STEERING COLUMN, RIGHT  
RIGHT 'A' POST  
RIGHT COMPONENT PANEL  
LEFT COMPONENT PANEL

### ACCESS

LEFT DASH UNDER PANEL  
RIGHT DASH UNDER PANEL  
REMOVE STEERING COLUMN TRIM  
TRIM COVER  
RIGHT DASH UNDER PANEL  
LEFT DASH UNDER PANEL

---

## CONNECTORS

### CODE

LB139  
LB175  
LB202  
LB212  
LB263  
LB268

### DESCRIPTION

RELAY BASE (BLACK)  
RELAY BASE (WHITE)  
6-WAY PM 4 (BLACK)  
3-WAY PM 4 (NATURAL)  
22-WAY FUSE PANEL  
22-WAY FUSE PANEL

### LOCATION / INTERFACE

RIGHT COMPONENT PANEL / AUX. LOAD RELAY  
LEFT COMPONENT PANEL / LOAD RELAY  
STEERING COLUMN / IGNITION SWITCH  
RIGHT 'A' POST / INERTIA SWITCH  
DRIVER'S FOOTWELL / LEFT FUSE PANEL  
PASSENGER'S FOOTWELL / RIGHT FUSE PANEL

---

## GROUND

### CODE

LBG201  
LBG261

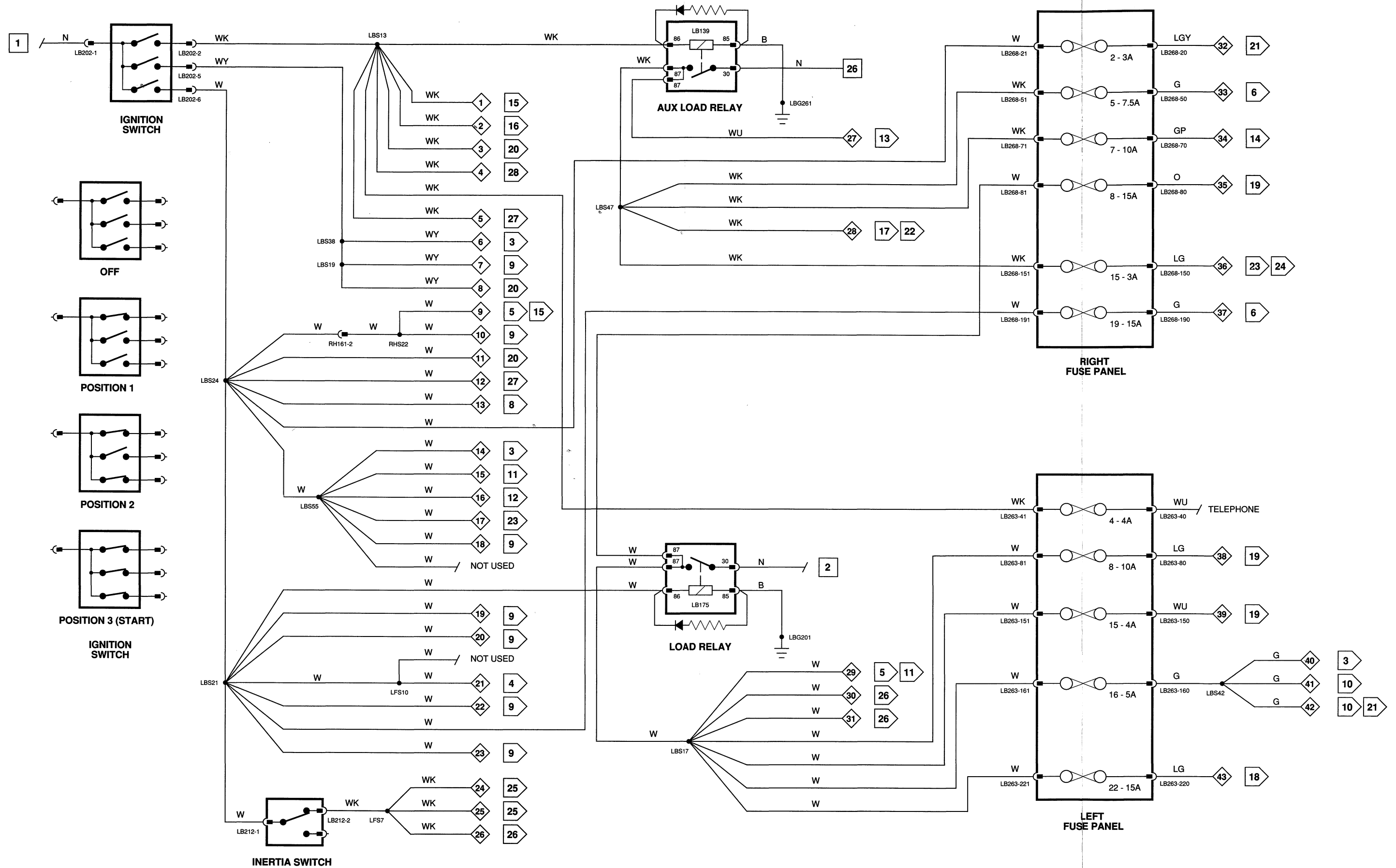
### DESCRIPTION

EYELET  
EYELET

### LOCATION / INTERFACE

LEFT 'A' POST FASCIA END PANEL / POWER GROUND  
RIGHT 'A' POST FASCIA END PANEL / POWER GROUND





□ BATTERY POWER (FIG 1)

◇ IGNITION POWER (FIG 2)

▢ FIG NUMBER REFERENCE

NOTE: ONLY FUSES WITH IGNITION SWITCHED POWER ARE SHOWN.

# FIG 3 DATA

## COMPONENTS

DESCRIPTION	LOCATION	ACCESS
DIODE — RFD(A)	ENGINE COMPARTMENT	TOP CENTER OF RADIATOR SHROUD
DIODE — RFD(B)	ENGINE COMPARTMENT, RIGHT	BELOW ABS MOTOR PUMP UNIT
GEAR SHIFT CONTROL MODULE	CENTER CONSOLE, REAR OF GEARSHIFT	CENTER CONSOLE WOOD TRIM
GEAR SHIFT SOLENOID	CENTER CONSOLE, FRONT OF GEARSHIFT	CENTER CONSOLE WOOD TRIM
GENERATOR	LEFT FRONT OF ENGINE	ENGINE COMPARTMENT
IGNITION SWITCH	STEERING COLUMN, RIGHT	REMOVE STEERING COLUMN TRIM
KEY LOCK SOLENOID	ABOVE IGNITION SWITCH	STEERING COLUMN COWL
PARK MICRO SWITCH	CENTER CONSOLE, FRONT OF GEARSHIFT	CENTER CONSOLE WOOD TRIM
RELAY — START INHIBIT (SC3)	LEFT COMPONENT PANEL	LEFT DASH UNDER PANEL
RELAY — STARTER (RF26)	RIGHT FRONT COMPONENT PANEL	ENGINE COMPARTMENT, RIGHT
STARTER MOTOR AND SOLENOID	ENGINE	—
STOP LIGHT SWITCH	ABOVE BRAKE PEDAL	LEFT DASH UNDER PANEL
TRANSMISSION ROTARY SWITCH	LEFT SIDE OF GEARBOX	ON GEARBOX

NOTE: COMPONENT IDENTIFICATIONS WITH [A] OR [B] RATHER THAN A NUMBER INDICATE COMPONENTS WITHOUT JDS DATA BASE IDENTIFICATION. THESE IDENTIFICATIONS ARE PENDING.

## CONNECTORS

CODE	DESCRIPTION	LOCATION / INTERFACE
GH7	24-WAY PMHD (YELLOW)	LEFT SIDE OF TRANSMISSION / TRANSMISSION ROTARY SWITCH
GH9	14-WAY SUMITOMO BLOCK (WHITE)	BELOW RIGHT A/C OUTLET / BULKHEAD HARNESS
GH11	SPADE (NATURAL)	CENTER CONSOLE / NEUTRAL SWITCH
GH12	SPADE (NATURAL)	CENTER CONSOLE / NEUTRAL SWITCH
GS1	6-WAY SUMITOMO STD. (NATURAL)	BELOW RIGHT A/C OUTLET / GEAR SELECT HARNESS
GS9	.250 BLADE (YELLOW)	CENTER CONSOLE PARK SWITCH / PARK MICRO SWITCH
GS10	.250 BLADE (YELLOW)	CENTER CONSOLE PARK SWITCH / PARK MICRO SWITCH
GS11	9-WAY AMP (BLACK / YELLOW)	CENTER CONSOLE, LEFT OF GEARSHIFT / GEARSHIFT CONTROL MODULE
GS12	2-WAY MULTILOCK 70 (WHITE)	CENTER CONSOLE, REAR / GEARSHIFT INTERLOCK MODULE
LB167	4-WAY SUMITOMO STD. (RED)	ABOVE BRAKE PEDAL / STOP LIGHT SWITCH
LB202	6-WAY PM 4 (BLACK)	STEERING COLUMN / IGNITION SWITCH
LB269	2-WAY MULTILOCK 40 (BLUE)	LEFT DASH UNDER PANEL BY STEERING COLUMN / KEY LOCK SOLENOID
LI86	3-WAY NIPPON DENSO (WHITE)	LEFT FRONT OF ENGINE / GENERATOR
LI134	20-WAY MULTILOCK 70 (WHITE)	LEFT DASH UNDER PANEL / ENGINE TO BULKHEAD HARNESS
RF1	18-WAY SUMITOMO BLOCK (BLACK)	RIGHT 'A' POST / ENGINE HARNESS
RF5	9-WAY PM 4 (BLACK)	ENGINE COMPARTMENT 'A' BANK, REAR / BULKHEAD HARNESS
RF14	EYELET	STARTER SOLENOID / ENGINE, RIGHT
RF26	RELAY BASE (WHITE)	RIGHT FRONT COMPONENT PANEL / STARTER RELAY
SC3	RELAY BASE (VIOLET)	LEFT COMPONENT PANEL / SECURITY SYSTEM START INHIBIT RELAY
SS2	10-WAY SUMITOMO STD. (RED)	STEERING COLUMN, RIGHT / BULKHEAD HARNESS
ST1	EYELET	STARTER SOLENOID / ENGINE, RIGHT

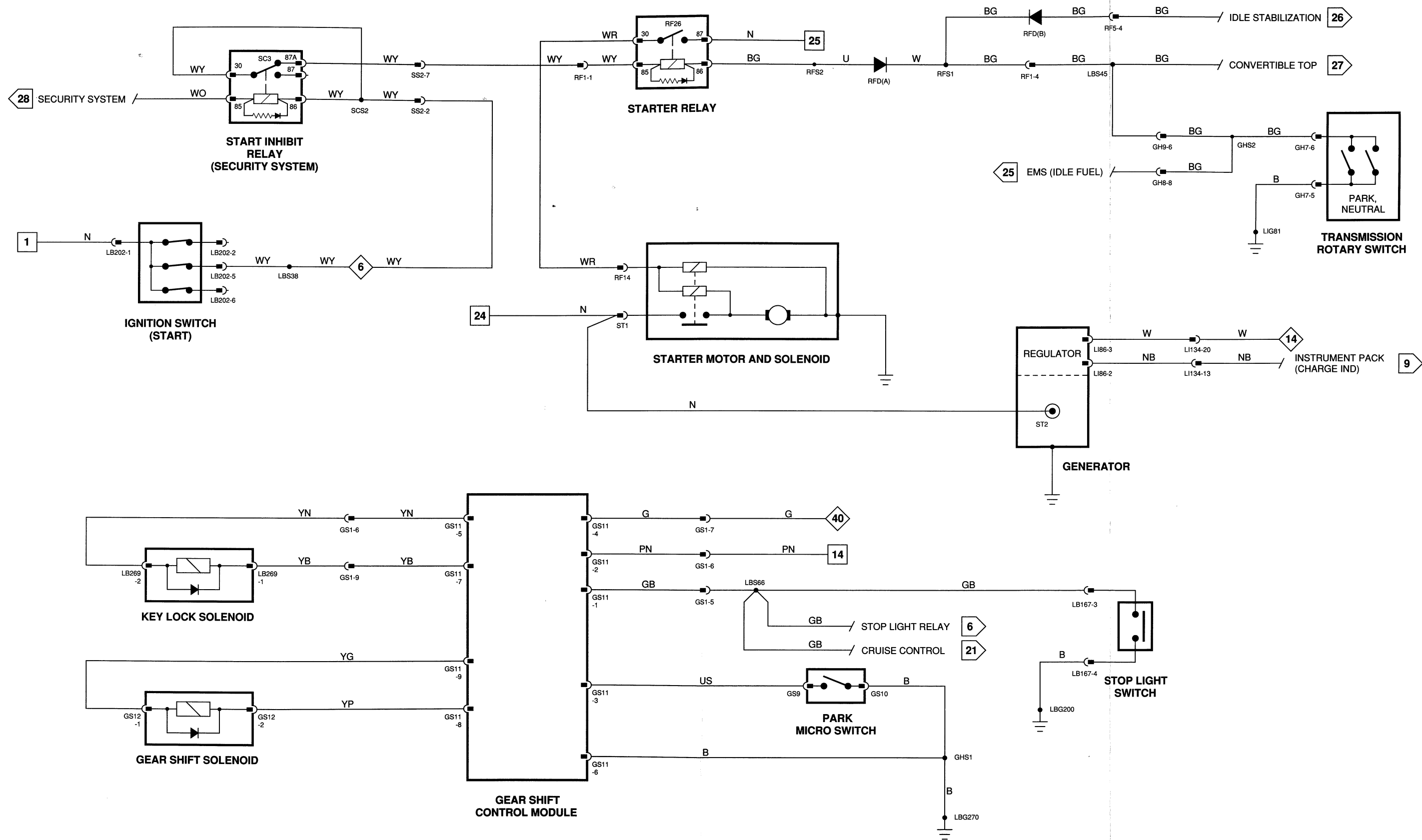
## GROUNDS

CODE	DESCRIPTION	LOCATION / INTERFACE
LBG200	EYELET	LEFT 'A' POST FASCIA END PANEL / GROUND
LBG270	EYELET	RIGHT 'A' POST FASCIA END PANEL / POWER GROUND
LIG81	EYELET	ENGINE COMPARTMENT, BULKHEAD STUD BEHIND ABS PUMP / GROUND

## INPUTS / OUTPUTS

### GEAR SHIFT CONTROL MODULE

CODE	IN / OUT	CIRCUIT	ACTIVE	INACTIVE
GS11-1	INPUT	BRAKE SWITCH	KEY ON, BRAKE APPLIED: GROUND	BRAKE RELEASED: 12V
GS11-2	INPUT	BATTERY POWER	12V	12V
GS11-3	INPUT	PARK MICRO SWITCH	KEY ON, "P": 12V	KEY ON, "R", "N", "D", "3", "2": GROUND
GS11-4	INPUT	IGNITION SWITCHED POWER	KEY ON: 12V	KEY OFF: OPEN CIRCUIT
GS11-5	OUTPUT	KEY LOCK SOLENOID	KEY ON, "P": GROUND	KEY OFF: OPEN CIRCUIT
GS11-6	INPUT	POWER GROUND	GROUND	GROUND
GS11-7	INPUT	KEY LOCK SOLENOID	PARK: GROUND	"R", "N", "D", "3", "2": OPEN CIRCUIT
GS11-8	INPUT	GEAR SHIFT SOLENOID	PARK: GROUND	"R", "N", "D", "3", "2": OPEN CIRCUIT
GS11-9	OUTPUT	GEAR SHIFT SOLENOID	KEY ON, BRAKE RELEASED: GROUND	BRAKE APPLIED: 12V



# FIG 4 DATA

## COMPONENTS

### DESCRIPTION

DIODE — LBD1  
DIODE — LBD2  
FOG LIGHT SWITCH  
FUSE PANEL — LEFT FRONT  
HEADLIGHT CONTROL UNIT  
LIGHTING AND TURN SIGNAL SWITCH  
RELAY — FRONT FOG (LB259)  
RELAY — HEADLIGHT (LF9)  
RELAY — REAR FOG (LB260)

### LOCATION

STEERING COLUMN  
STEERING COLUMN  
LEFT DASH UNDER PANEL  
LEFT FRONT COMPONENT PANEL  
LEFT FRONT COMPONENT PANEL  
STEERING COLUMN, LEFT  
LEFT COMPONENT PANEL  
LEFT FRONT COMPONENT PANEL  
LEFT COMPONENT PANEL

### ACCESS

LEFT DASH UNDER PANEL  
LEFT DASH UNDER PANEL  
—  
ENGINE COMPARTMENT  
ENGINE COMPARTMENT  
STEERING COLUMN TRIM  
LEFT DASH UNDER PANEL  
ENGINE COMPARTMENT  
LEFT DASH UNDER PANEL

## CONNECTORS

### CODE

### DESCRIPTION

### LOCATION / INTERFACE

BL4	4-WAY SUMITOMO STD. (WHITE)	TRUNK LID, LEFT CENTER / LEFT REAR FOG LIGHTS
BL10	4-WAY SUMITOMO STD. (WHITE)	TRUNK LID, RIGHT CENTER / RIGHT REAR FOG LIGHTS
BL11	10-WAY SUMITOMO STD. (NATURAL)	ABOVE EFI ECU / REAR HARNESS
CS1	24-WAY SUMITOMO BLOCK (NATURAL)	ADJACENT TO STEERING COLUMN / LIGHTING AND TURN SIGNAL SWITCH
CS2	6-WAY SUMITOMO STD. (NATURAL)	LIGHTING STALK SWITCH GEAR / LIGHTING AND TURN SIGNAL SWITCH
CS5	SPADE	LIGHTING AND TURN SIGNAL SWITCH / BULKHEAD HARNESS, HIGH BEAMS
LB176	6-WAY SUMITOMO STD. (NATURAL)	FASCIA PANEL, LEFT / STEERING COLUMN FOG LIGHT SWITCH
LB189	6-WAY SUMITOMO STD. (BLACK)	ABOVE LEFT FUSE PANEL / FRONT FOG RELAY
LB259	RELAY BASE (VIOLET)	LEFT COMPONENT PANEL / FRONT FOG LIGHT RELAY
LB260	RELAY BASE (BROWN)	LEFT COMPONENT PANEL / REAR FOG LIGHT RELAY
LF1	18-WAY SUMITOMO BLOCK (BLACK)	LEFT 'A' POST / LF HARNESS
LF6	6-WAY AMP (BLACK)	LEFT FRONT COMPONENT PANEL / HEADLIGHT CONTROL UNIT
LF9	RELAY BASE (BLUE)	LEFT FRONT COMPONENT PANEL / HEADLIGHT RELAY
LF22	4-WAY SUMITOMO SEALED (GREEN)	RIGHT FRONT RADIATOR SUPPORT / RIGHT HEADLIGHTS
LF25	3-WAY PM 5 (YELLOW)	BEHIND FRONT VALENCE / RIGHT FRONT FOG LIGHT
LF29	4-WAY SUMITOMO SEALED (GREEN)	LEFT FRONT HEADLIGHT, INNER PANEL / LEFT HEADLIGHTS
LF33	3-WAY PM 5 (YELLOW)	BEHIND FRONT VALENCE / LEFT FRONT FOG LIGHTS
LF37	FUSE PANEL	DRIVER'S FOOTWELL / LEFT FUSE PANEL
RH117	10-WAY SUMITOMO (WHITE)	ABOVE LEFT REAR TAIL LIGHT / RIGHT REAR HARNESS
RH161	20-WAY SUMITOMO BLOCK (NATURAL)	BELOW LEFT A/C OUTLET / REAR HARNESS

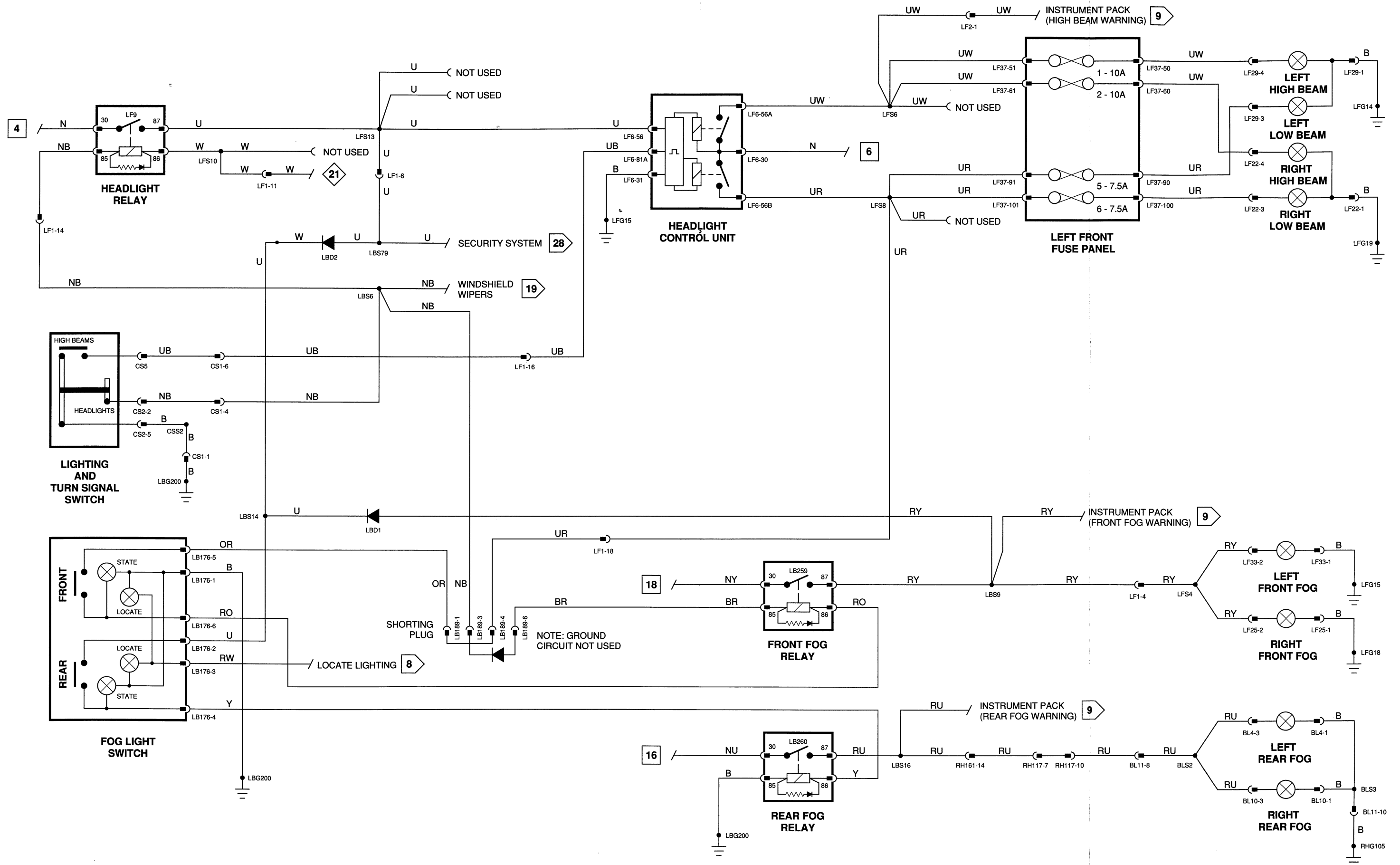
## GROUNDS

### CODE

### DESCRIPTION

### LOCATION / INTERFACE

LBG200	EYELET	LEFT 'A' POST FASCIA END PANEL / POWER GROUND
LFG14	EYELET	TOP LEFT RADIATOR SUPPORT MOUNTING / POWER GROUND
LFG15	EYELET	TOP LEFT RADIATOR SUPPORT MOUNTING / POWER GROUND
LFG18	EYELET	TOP RIGHT RADIATOR SUPPORT MOUNTING / POWER GROUND
LFG19	EYELET	TOP RIGHT RADIATOR SUPPORT MOUNTING / POWER GROUND
RHG105	EYELET	BETWEEN BATTERY AND INNER WHEEL ARCH / POWER GROUND



# FIG 5 DATA

## COMPONENTS

### DESCRIPTION

BULB FAILURE UNIT — LEFT FRONT  
 BULB FAILURE UNIT — LEFT REAR  
 BULB FAILURE UNIT — RIGHT FRONT  
 BULB FAILURE UNIT — RIGHT REAR  
 DOOR SWITCH — DRIVER'S  
 FUSE PANEL — LEFT REAR  
 FUSE PANEL — RIGHT REAR  
 FUSE PANEL — RIGHT  
 KEY IN SWITCH  
 LIGHTING AND TURN SIGNAL SWITCH  
 LIGHTS ON AUDIBLE WARNING UNIT  
 RELAY — REVERSE LIGHTS (RH184)  
 RELAY — SIDE LIGHTS (LF10)  
 TRANSMISSION ROTARY SWITCH

### LOCATION

RIGHT COMPONENT PANEL  
 LEFT TAIL LIGHT  
 RIGHT COMPONENT PANEL  
 RIGHT TAIL LIGHT  
 LEFT 'A' POST  
 LEFT TAIL LIGHT  
 RIGHT TAIL LIGHT  
 RIGHT COMPONENT PANEL  
 RIGHT COMPONENT PANEL  
 IGNITION SWITCH  
 STEERING COLUMN, LEFT  
 LEFT COMPONENT PANEL  
 ABOVE RIGHT REAR WHEEL ARCH  
 LEFT FRONT COMPONENT PANEL  
 LEFT SIDE OF GEARBOX

### ACCESS

RIGHT DASH UNDER PANEL  
 TRUNK, LEFT LIGHT TRIM  
 RIGHT DASH UNDER PANEL  
 TRUNK, RIGHT LIGHT TRIM  
 LEFT DASH UNDER PANEL  
 TRUNK, LEFT LIGHT TRIM  
 TRUNK, RIGHT LIGHT TRIM  
 RIGHT DASH UNDER PANEL  
 STEERING COLUMN TRIM  
 STEERING COLUMN TRIM  
 LEFT DASH UNDER PANEL  
 RIGHT TRUNK TRIM PANEL  
 ENGINE COMPARTMENT  
 ON GEARBOX

## CONNECTORS

### CODE

### DESCRIPTION

BL4 4-WAY SUMITOMO STD. (WHITE)  
 BL5 SPADE  
 BL6 SPADE  
 BL8 SPADE  
 BL9 SPADE  
 BL10 4-WAY SUMITOMO STD. (WHITE)  
 BL11 10-WAY SUMITOMO STD. (NATURAL)  
 CS1 24-WAY SUMITOMO BLOCK (NATURAL)  
 CS2 6-WAY SUMITOMO STD. (NATURAL)  
 GH7 24-WAY PMHD (YELLOW)  
 GH9 14-WAY SUMITOMO BLOCK (WHITE)  
 LB120 SPADE  
 LB121 SPADE  
 LB122 SPADE  
 LB123 SPADE  
 LB124 SPADE  
 LB125 SPADE  
 LB126 SPADE  
 LB188 2-WAY SUMITOMO STD. (WHITE)  
 LB203 2-WAY SUMITOMO STD. (WHITE)  
 LB268 FUSE PANEL  
 LB286 RELAY BASE (NATURAL)  
 LF1 18-WAY SUMITOMO BLOCK (BLACK)  
 LF10 RELAY BASE (BLUE)  
 LF22 4-WAY SUMITOMO SEALED (BLUE)  
 LF26 2-WAY SUMITOMO SEALED (BLUE)  
 LF29 4-WAY SUMITOMO SEALED (BLUE)  
 LF30 2-WAY SUMITOMO SEALED (BLUE)  
 LI83 13-WAY SUMITOMO BLOCK (WHITE)  
 RH95 2-WAY SUMITOMO SEALED (BLUE)  
 RH96 4-WAY SUMITOMO STD. (NATURAL)  
 RH97 3-WAY FUSE HOLDER (BLACK)  
 RH98 SPADE  
 RH99 SPADE  
 RH100 SPADE  
 RH115 3-WAY FUSE HOLDER (BLACK)  
 RH116 2-WAY SUMITOMO SEALED (BLUE)  
 RH119 4-WAY SUMITOMO STD. (NATURAL)  
 RH120 SPADE  
 RH121 SPADE  
 RH122 SPADE  
 RH160 4-WAY SUMITOMO BLOCK (NATURAL)  
 RH161 20-WAY SUMITOMO BLOCK (NATURAL)  
 RH184 RELAY BASE (BLUE)

### LOCATION / INTERFACE

TRUNK LID, CENTER / LEFT REVERSE LIGHTS  
 RIGHT REAR LICENSE / RIGHT LICENSE BULB  
 RIGHT REAR LICENSE / RIGHT LICENSE BULB  
 LEFT REAR LICENSE / LEFT LICENSE BULB  
 LEFT REAR LICENSE / LEFT LICENSE BULB  
 TRUNK LID, CENTER / RIGHT REVERSE LIGHTS  
 ABOVE EFI ECU / REAR LIGHTING HARNESS  
 ADJACENT TO STEERING COLUMN / BULKHEAD HARNESS  
 ADJACENT TO STEERING COLUMN / LIGHTING AND TURN SIGNAL SWITCH  
 LEFT SIDE OF TRANSMISSION / TRANSMISSION ROTARY SWITCH  
 BELOW A/C OUTLET, RIGHT / BULKHEAD HARNESS  
 RIGHT COMPONENT PANEL / BULB FAIL. UNIT — LEFT FRONT  
 RIGHT COMPONENT PANEL / BULB FAIL. UNIT — LEFT FRONT  
 RIGHT COMPONENT PANEL / BULB FAIL. UNIT — LEFT FRONT  
 RIGHT COMPONENT PANEL / BULB FAIL. UNIT — LEFT FRONT  
 RIGHT COMPONENT PANEL / BULB FAIL. UNIT — LEFT FRONT  
 RIGHT COMPONENT PANEL / BULB FAIL. UNIT — RIGHT FRONT  
 RIGHT COMPONENT PANEL / BULB FAIL. UNIT — RIGHT FRONT  
 RIGHT COMPONENT PANEL / BULB FAIL. UNIT — RIGHT FRONT  
 LEFT DASH UNDER PANEL / DRIVER'S DOOR SWITCH  
 STEERING COLUMN, UNDER DASH / KEY IN BUZZER  
 PASSENGER'S FOOTWELL / RIGHT FUSE PANEL  
 LEFT COMPONENT PANEL / LIGHTS ON AUDIBLE WARNING UNIT  
 LEFT 'A' POST / LEFT FORWARD HARNESS  
 LEFT FRONT COMPONENT PANEL / SIDELIGHTS RELAY  
 RIGHT FRONT INNER WHEEL ARCH / RIGHT FRONT MARKER  
 LF HARNESS / LEFT FRONT SIDE MARKER  
 LEFT FRONT INNER WHEEL ARCH / LEFT FRONT MARKER  
 RF HARNESS / RIGHT FRONT SIDE MARKER  
 BELOW RIGHT A/C OUTLET / TRANSMISSION HARNESS  
 RIGHT REAR SIDE MARKER / RIGHT SIDE MARKER BULB  
 RIGHT TAIL LIGHT / RIGHT TAIL LIGHT  
 ABOVE RIGHT TAIL / RIGHT TAIL AND MARKER LIGHTS, LEFT LICENSE LIGHT  
 ABOVE RIGHT TAIL LIGHT / BULB FAIL. UNIT — RIGHT REAR  
 ABOVE RIGHT TAIL LIGHT / BULB FAIL. UNIT — RIGHT REAR  
 ABOVE RIGHT TAIL LIGHT / BULB FAIL. UNIT — RIGHT REAR  
 ABOVE LEFT TAIL LIGHT / LEFT TAIL AND MARKER LIGHTS, RIGHT LICENSE LIGHT  
 LEFT REAR SIDE MARKER / LEFT SIDE MARKER BULB  
 LEFT TAIL LIGHT / LEFT TAIL LIGHT  
 ABOVE LEFT TAIL LIGHT / BULB FAIL. UNIT — LEFT REAR  
 ABOVE LEFT TAIL LIGHT / BULB FAIL. UNIT — LEFT REAR  
 ABOVE LEFT TAIL LIGHT / BULB FAIL. UNIT — LEFT REAR  
 BELOW LEFT A/C OUTLET / BULKHEAD HARNESS  
 BELOW LEFT A/C OUTLET / REAR HARNESS  
 ABOVE RIGHT REAR WHEEL ARCH / REVERSE LIGHTS RELAY

## GROUNDS

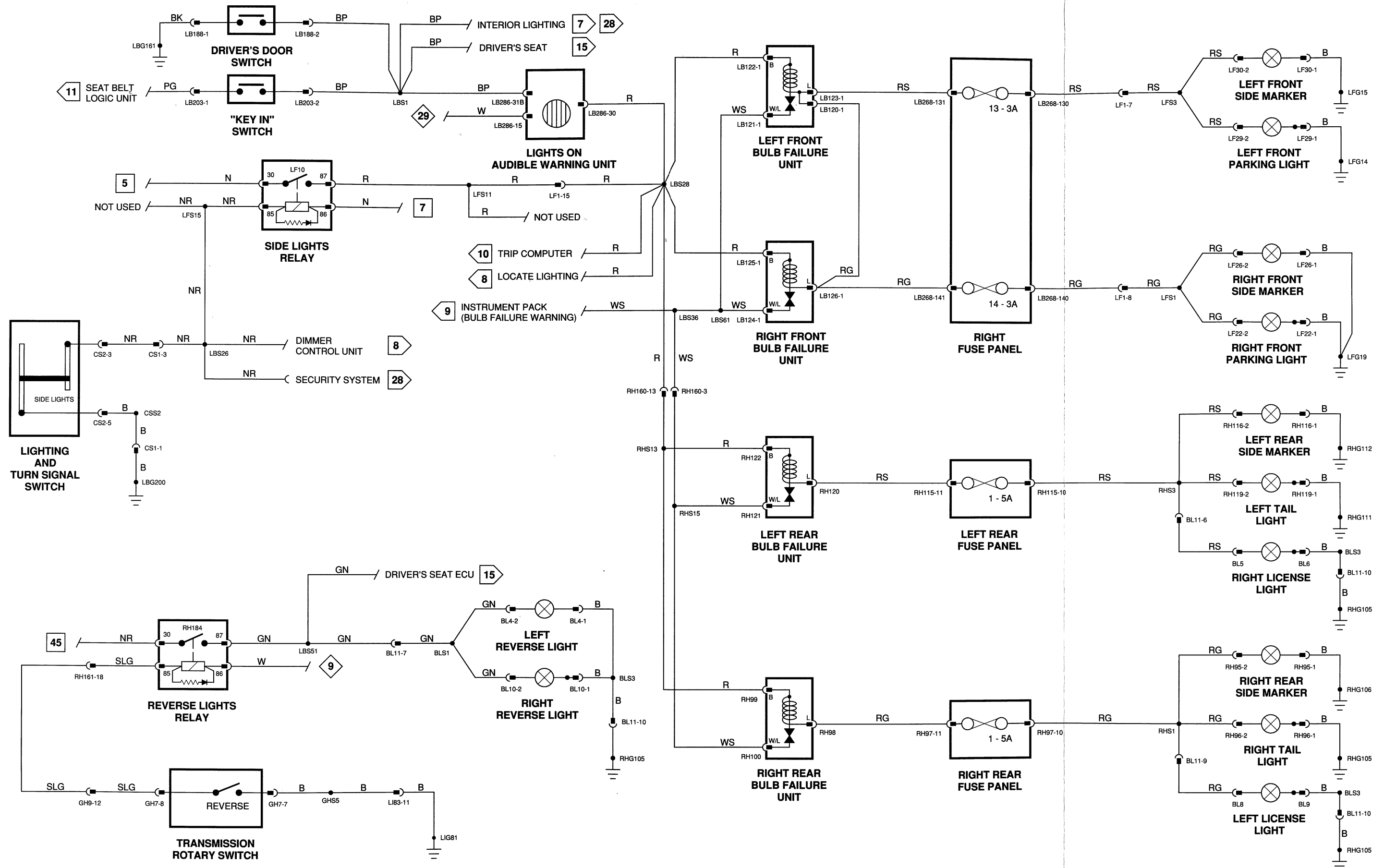
### CODE

### DESCRIPTION

LBG161 EYELET  
 LBG200 EYELET  
 LFG14 EYELET  
 LFG15 EYELET  
 LFG19 EYELET  
 LIG81 EYELET  
 RHG105 EYELET  
 RHG106 EYELET  
 RHG111 EYELET  
 RHG112 EYELET

### LOCATION / INTERFACE

LEFT TRANSMISSION TUNNEL BY A/C STRUT / LOGIC GROUND  
 LEFT 'A' POST FASCIA END PANEL / POWER GROUND  
 TOP LEFT RADIATOR SUPPORT MOUNT / POWER GROUND  
 TOP LEFT RADIATOR SUPPORT MOUNT / POWER GROUND  
 TOP RIGHT RADIATOR SUPPORT MOUNT / POWER GROUND  
 ENGINE COMPARTMENT, BULKHEAD STUD BEHIND ABS PUMP / GROUND  
 BETWEEN BATTERY AND INNER WHEEL ARCH / POWER GROUND  
 BETWEEN BATTERY AND INNER WHEEL ARCH / POWER GROUND  
 BETWEEN SPARE TIRE AND INNER WHEEL ARCH / POWER GROUND  
 TRUNK BETWEEN SPARE AND WHEEL ARCH / POWER GROUND



BATTERY POWER (FIG 1)
  IGNITION POWER (FIG 2)
  FIG NUMBER REFERENCE

# FIG 6 DATA

## COMPONENTS

### DESCRIPTION

BULB FAILURE UNIT — STOP LIGHT  
 DIODE — RHD1  
 FLASHER UNIT  
 HAZARD SWITCH  
 LIGHTING AND TURN SIGNAL SWITCH  
 PARKING BRAKE SWITCH  
 RELAY — STOP LIGHT (RH113)  
 STOP LIGHT SWITCH

### LOCATION

LEFT COMPONENT PANEL  
 BEHIND LEFT TRUNK LID GAS STRUT SUPPORT  
 LEFT COMPONENT  
 LEFT OF TRIP COMPUTER  
 STEERING COLUMN, LEFT  
 PARKING BRAKE HANDLE  
 ABOVE ABS ECU  
 BRAKE PEDAL

### ACCESS

LEFT DASH UNDER PANEL  
 LEFT TRUNK TRIM  
 LEFT DASH UNDER PANEL  
 —  
 REMOVE STEERING COLUMN TRIM  
 REMOVE BRAKE HANDLE TRIM  
 LEFT TRUNK TRIM PANEL  
 LEFT DASH UNDER PANEL

## CONNECTORS

### CODE

### DESCRIPTION

BN2 10-WAY SUMITOMO STD. (NATURAL)  
 BN5 20-WAY SUMITOMO BLOCK (NATURAL)  
 CS1 24-WAY SUMITOMO BLOCK (NATURAL)  
 CS7 SPADE  
 CS8 SPADE  
 CS9 SPADE  
 HL1 3-WAY PM 5 (BLACK)  
 HL2 DOUBLE SPADE  
 LB168 6-WAY SUMITOMO STD. (RED)  
 LB172 RELAY BASE (YELLOW)  
 LF1 18-WAY SUMITOMO BLOCK (BLACK)  
 LF24 3-WAY PM 5 (BLACK)  
 LF31 2-WAY PM 5 (BLACK)  
 RH96 4-WAY SUMITOMO STD. (NATURAL)  
 RH113 RELAY BASE (YELLOW)  
 RH119 4-WAY SUMITOMO STD. (NATURAL)  
 RH127 SPADE  
 RH128 SPADE  
 RH129 3-WAY SPADE (BLACK)  
 RH133 SPADE  
 RH134 SPADE  
 RH135 SPADE  
 RH160 4-WAY SUMITOMO  
 RH161 20-WAY SUMITOMO BLOCK (NATURAL)

### LOCATION / INTERFACE

BEHIND HAZARD SWITCH ASSEMBLY / HAZARD SWITCH  
 BELOW RIGHT A/C OUTLET / BINNACLE HARNESS  
 ADJACENT TO STEERING COLUMN / LIGHTING AND TURN SIGNAL SWITCH  
 LIGHTING AND TURN SIGNAL SWITCH / BULKHEAD HARNESS, RIGHT TURN  
 LIGHTING AND TURN SIGNAL SWITCH / DIRECTIONAL INPUT  
 LIGHTING AND TURN SIGNAL SWITCH / BULKHEAD HARNESS, LEFT TURN  
 INSIDE LR WHEEL ARCH BY ABS ECU / HIGH MOUNTED STOP LIGHT HARNESS  
 HIGH MOUNTED STOP LIGHT / HIGH MOUNTED STOP LIGHT  
 LEFT DASH UNDER PANEL BY STEERING COLUMN / BRAKE SWITCH  
 LEFT COMPONENT PANEL / FLASHER UNIT  
 RIGHT 'A' POST / RF HARNESS  
 RIGHT FRONT TURN SIGNAL / RF HARNESS  
 LEFT FRONT TURN SIGNAL / LF HARNESS  
 RIGHT TAIL LIGHT / RIGHT STOP LIGHT  
 ABOVE ABS ECU / STOP LIGHT RELAY  
 LEFT TAIL LIGHT / LEFT STOP LIGHT  
 BEHIND LEFT TRUNK LID GAS STRUT SUPPORT / REAR BRAKE LT. WIRING CIRCUIT  
 BEHIND LEFT TRUNK LID GAS STRUT SUPPORT / REAR BRAKE LT. WIRING CIRCUIT  
 BEHIND LEFT TRUNK LID GAS STRUT SUPPORT / REAR BRAKE LT. WIRING CIRCUIT  
 PARKING BRAKE SWITCH / STOP LIGHT BULB FAIL. UNIT  
 PARKING BRAKE SWITCH / BULB CHECK UNIT  
 PARKING BRAKE SWITCH / GROUND  
 BELOW LEFT A/C OUTLET / REAR HARNESS  
 BELOW LEFT A/C OUTLET / REAR HARNESS

## GROUNDS

### CODE

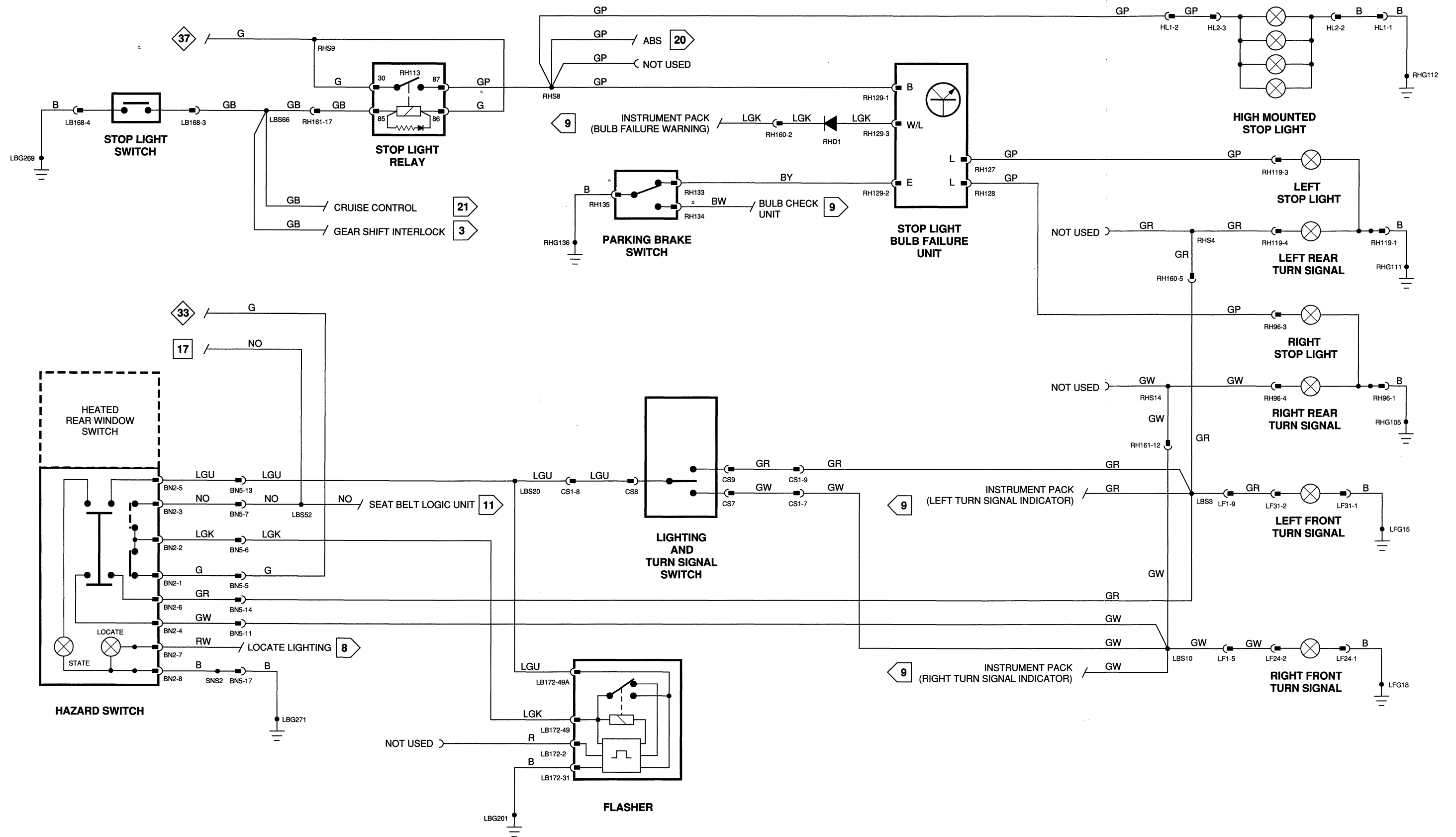
### DESCRIPTION

LBG201 EYELET  
 LBG269 EYELET  
 LBG271 EYELET  
 LFG15 EYELET  
 LFG18 EYELET  
 RHG105 EYELET  
 RHG111 EYELET  
 RHG112 EYELET  
 RHG136 EYELET

### LOCATION / INTERFACE

LEFT 'A' POST FASCIA END PANEL / POWER GROUND  
 LEFT 'A' POST FASCIA END PANEL / POWER GROUND  
 LEFT 'A' POST FASCIA END PANEL / POWER GROUND  
 TOP LEFT RADIATOR SUPPORT MOUNT / POWER GROUND  
 TOP RIGHT RADIATOR SUPPORT MOUNT / POWER GROUND  
 BETWEEN BATTERY AND INNER WHEEL ARCH / POWER GROUND  
 BETWEEN SPARE TIRE AND INNER WHEEL ARCH / POWER GROUND  
 BETWEEN SPARE TIRE AND INNER WHEEL ARCH / POWER GROUND  
 BASE OF HANDBRAKE / POWER GROUND





# FIG 7 DATA

## COMPONENTS

DESCRIPTION	LOCATION	ACCESS
DIODE — LBD(A)	BEHIND RIGHT BLOWER MOTOR	RIGHT BLOWER
DIODE — LBD(B)	BEHIND RIGHT BLOWER MOTOR	RIGHT BLOWER
DOOR SWITCH — DRIVER'S	LEFT 'A' POST	LEFT DASH UNDER PANEL
DOOR SWITCH — PASSENGER'S	RIGHT 'A' POST	RIGHT DASH UNDER PANEL
INTERIOR LIGHT DELAY UNIT	RIGHT COMPONENT PANEL	RIGHT DASH UNDER PANEL
INTERIOR LIGHTING SWITCH	RIGHT OF TRIP COMPUTER	—
TRUNK LIGHT SWITCH	TRUNK LATCH ASSEMBLY	REMOVE LATCH

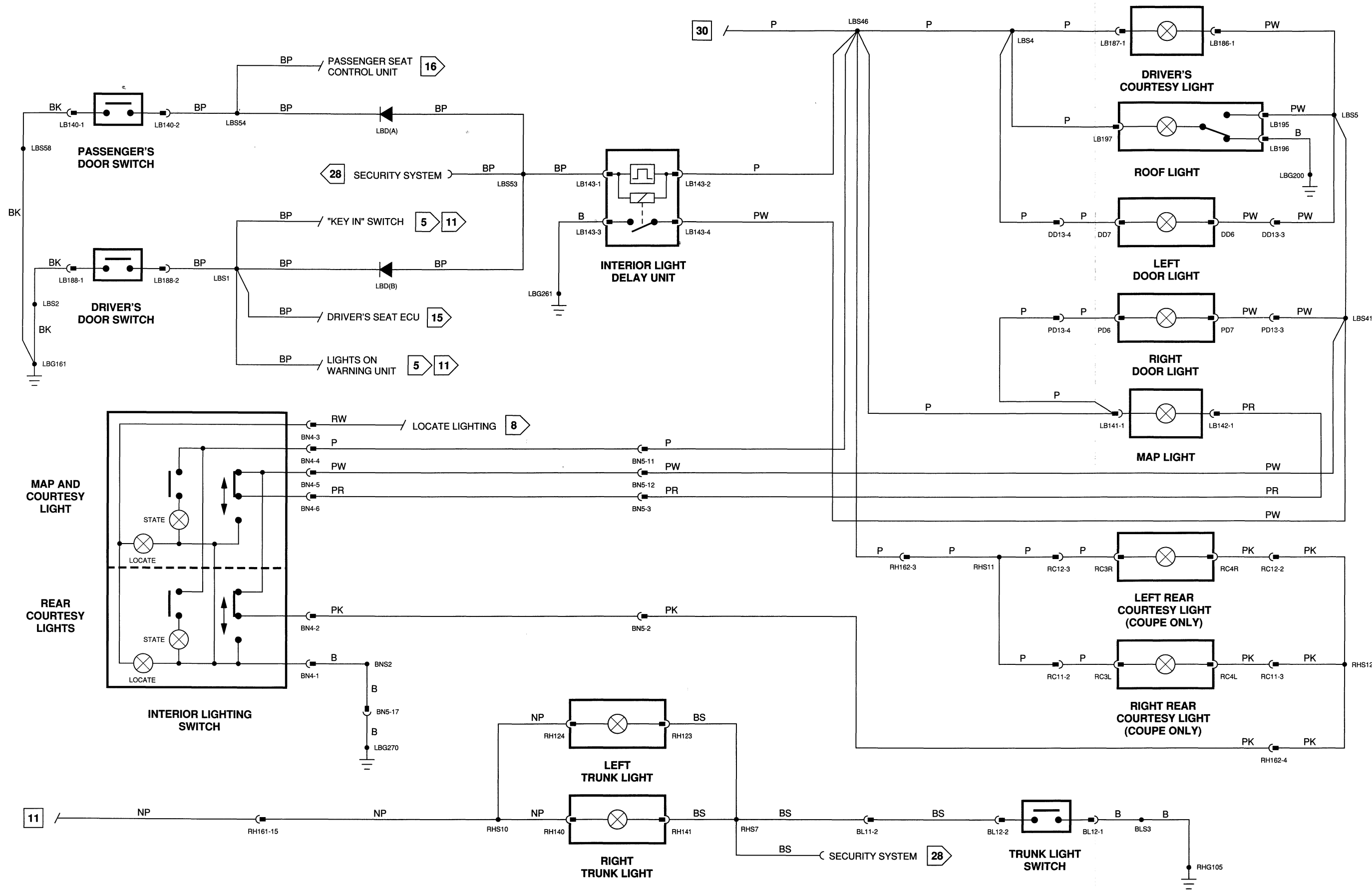
NOTE: COMPONENT IDENTIFICATIONS WITH [A] OR [B] RATHER THAN A NUMBER INDICATE COMPONENTS WITHOUT JDS DATA BASE IDENTIFICATION. THESE IDENTIFICATIONS ARE PENDING.

## CONNECTORS

CODE	DESCRIPTION	LOCATION / INTERFACE
BL11	10-WAY SUMITOMO STD. (NATURAL)	ABOVE EFI ECU / REAR TRUNK LIGHTING HARNESS
BL12	2-WAY AMP	ABOVE TRUNK LATCH MECHANISM / TRUNK LIGHT SWITCH
BN4	6-WAY SUMITOMO STD. (NATURAL)	BEHIND INTERIOR LIGHTING SWITCH / INTERIOR LIGHTING SWITCH
BN5	20-WAY SUMITOMO BLOCK (NATURAL)	BELOW RIGHT A/C OUTLET / BINNACLE HARNESS
DD6	BULLET	BEHIND DRIVER'S DOOR PANEL / DRIVER'S DOOR LIGHT
DD7	BULLET	BEHIND DRIVER'S DOOR PANEL / DRIVER'S DOOR LIGHT
DD13	20-WAY SUMITOMO BLOCK (YELLOW)	LEFT 'A' POST / BULKHEAD HARNESS
LB140	2-WAY SUMITOMO STD. (NATURAL)	R/UNDER DASH 6 IN. FROM 'A' POST / PASSENGER'S DOOR SWITCH
LB141	SPADE	ABOVE LEFT BOLSTER / DRIVER'S SIDE MAP LIGHT
LB142	SPADE	ABOVE LEFT BOLSTER / DRIVER'S SIDE MAP LIGHT
LB143	RELAY BASE (RED)	RIGHT COMPONENT PANEL / INTERIOR LIGHT DELAY UNIT
LB186	SPADE	DRIVER'S COURTESY LIGHT / BULKHEAD HARNESS
LB187	SPADE	DRIVER'S COURTESY LIGHT / BULKHEAD HARNESS
LB188	2-WAY SUMITOMO STD. (NATURAL)	L/UNDER DASH 6 IN. FROM 'A' POST / DRIVER'S DOOR SWITCH
LB195	BULLET	BEHIND ROOF LIGHT / INTERIOR LIGHTS AND ROOF LIGHTING
LB196	BULLET	BEHIND ROOF LIGHT / ROOF LIGHT GROUND
LB197	BULLET	BEHIND ROOF LIGHT / ROOF LIGHT POWER SUPPLY
PD6	BULLET	BEHIND PASSENGER'S DOOR PANEL / PASSENGER'S DOOR LIGHT
PD7	BULLET	BEHIND PASSENGER'S DOOR PANEL / PASSENGER'S DOOR LIGHT
PD13	20-WAY SUMITOMO BLOCK (YELLOW)	RIGHT 'A' POST / BULKHEAD HARNESS
RC3	SPADE (COUPE)	REAR COURTESY LIGHT / REAR HARNESS
RC4	SPADE (COUPE)	REAR COURTESY LIGHT / REAR HARNESS
RC11	3-WAY PM 5 (BLACK)	(COUPE ONLY) BEHIND RIGHT REAR TRIM PANEL / RIGHT REAR COURTESY LIGHT
RC12	3-WAY PM 5 (BLACK)	(COUPE ONLY) BEHIND LEFT REAR TRIM PANEL / LEFT REAR COURTESY LIGHT
RH123	SPADE	TRUNK PANEL, LEFT INNER / LEFT TRUNK LIGHT
RH124	SPADE	TRUNK PANEL, LEFT INNER / LEFT TRUNK LIGHT
RH140	SPADE	TRUNK PANEL, RIGHT INNER / RIGHT TRUNK LIGHT
RH141	SPADE	TRUNK PANEL, RIGHT INNER / RIGHT TRUNK LIGHT
RH161	20-WAY SUMITOMO BLOCK (NATURAL)	BELOW LEFT A/C OUTLET / REAR HARNESS
RH162	6-WAY SUMITOMO STD. (RED)	BELOW RIGHT A/C OUTLET / REAR HARNESS

## GROUND

CODE	DESCRIPTION	LOCATION / INTERFACE
LBG161	EYELET	LEFT TRANSMISSION TUNNEL BY A/C SUPPORT / LOGIC GROUND
LBG200	EYELET	LEFT 'A' POST FASCIA END PANEL / POWER GROUND
LBG261	EYELET	RIGHT 'A' POST FASCIA END PANEL / POWER GROUND
LBG270	EYELET	RIGHT 'A' POST FASCIA END PANEL / POWER GROUND
RHG105	EYELET	BETWEEN BATTERY AND INNER WHEEL ARCH / POWER GROUND



BATTERY POWER (FIG 1)
  IGNITION POWER (FIG 2)
  FIG NUMBER REFERENCE

# FIG 8 DATA

## COMPONENTS

DESCRIPTION	LOCATION	ACCESS
CIGAR LIGHTER	CENTER CONSOLE	—
CLIMATE CONTROL PANEL	CENTER CONSOLE	—
COLUMN SWITCH GEAR	STEERING COLUMN	—
DIMMER CONTROL	LEFT DASH UNDER PANEL	—
DIMMER CONTROL UNIT	LEFT COMPONENT PANEL	LEFT DASH UNDER PANEL
DOOR SWITCH PACK — DRIVER'S	DRIVER'S DOOR	—
DOOR SWITCH PACK — PASSENGER'S	PASSENGER'S DOOR	—
FOG LIGHT SWITCH	LEFT DASH UNDER PANEL	—
FUSE PANEL — LEFT	LEFT COMPONENT PANEL	LEFT DASH UNDER PANEL
GEAR SELECTOR	CENTER CONSOLE	—
HAZARD AND HEATED REAR WINDOW SWITCH	CENTER CONSOLE, LEFT	—
INSTRUMENT PACK	DRIVER'S SIDE DASH	—
MAP AND INTERIOR LIGHTING SWITCH	RIGHT OF TRIP COMPUTER	—
RADIO	CENTER CONSOLE	—
RELAY — SIDE LIGHTS (LF10)	LEFT FRONT COMPONENT PANEL	ENGINE COMPARTMENT
TRANSMISSION MODE SWITCH	ADJACENT TO GEAR SELECTOR	CENTER CONSOLE TRIM

## CONNECTORS

CODE	DESCRIPTION	LOCATION / INTERFACE
BN2	10-WAY SUMITOMO STD. (NATURAL)	BEHIND HAZARD LIGHT SW. / HAZARD/REAR WINDOW HEAT. LOCATE ILLUM.
BN4	6-WAY SUMITOMO STD. (NATURAL)	BEHIND INTERIOR LIGHT SWITCH / INTERIOR SWITCH LOCATE ILLUMINATION
BN5	20-WAY SUMITOMO BLOCK (NATURAL)	BELOW RIGHT A/C OUTLET / BINNACLE HARNESS
CH10	BULLET	GEAR SHIFT LINKAGE / GEAR SHIFT LOCATE ILLUMINATION
CH11	BULLET	GEAR SHIFT LINKAGE / GEAR SHIFT LOCATE ILLUMINATION
CH13	SPADE	CIGAR LIGHTER / LOCATE ILLUMINATION
CH14	BULLET	CIGAR LIGHTER / LOCATE ILLUMINATION
CH17	10-WAY SUMITOMO STD. (NATURAL)	BELOW RT. A/C OUTLET / CIGAR LIGHTER AND GEAR SLCT. LOCATE ILLUM.
CS1	24-WAY SUMITOMO BLOCK (NATURAL)	ADJACENT TO STEERING COLUMN / COLUMN SWITCH GEAR HARNESS
CS11	SPADE	COLUMN SWITCH GEAR / SWITCH GEAR LOCATE ILLUMINATION
CS12	SPADE	COLUMN SWITCH GEAR / SWITCH GEAR LOCATE ILLUMINATION
DD4	14-WAY SUMITOMO BLOCK (NATURAL)	DRIVER'S DOOR / DRIVER'S DOOR SWITCH PACK ILLUMINATION
DD12	16-WAY SUMITOMO BLOCK (GREEN)	LEFT 'A' POST / DRIVER'S DOOR HARNESS
GH6	6-WAY SUMITOMO STD. (WHITE)	ADJACENT TO GEAR SELECTOR / MODE CONTROL SWITCH
LB155	2-WAY MATE AND LOCK (NATURAL)	BEHIND A/C PANEL / A/C PANEL LOCATE ILLUMINATION
LB160	13-WAY MULTILOCK (NATURAL)	BEHIND RADIO / RADIO ILLUMINATION
LB170	RELAY BASE (BLACK)	LEFT COMPONENT PANEL / DIMMER CONTROL UNIT
LB176	6-WAY SUMITOMO STD. (NATURAL)	BEHIND FOG LIGHT SWITCH / FOG LIGHT SWITCH ILLUMINATION
LB247	14-WAY HEWLETT PACKARD (BLACK)	BEHIND INSTRUMENT PACK / INSTRUMENT PACK ILLUMINATION
LB263	22-WAY FUSE PANEL	DRIVER'S FOOTWELL / LEFT FUSE PANEL
LB267	3-WAY PM 5 (PURPLE)	LEFT COMPONENT PANEL / DIMMER CONTROL UNIT
LF1	18-WAY SUMITOMO BLOCK (BLACK)	LEFT 'A' POST / BULKHEAD HARNESS
LF10	RELAY BASE (BLUE)	LEFT FRONT COMPONENT PANEL / SIDE LIGHT RELAY
PD4	14-WAY SUMITOMO BLOCK (NATURAL)	PASSENGER'S DOOR HARNESS / PASSENGER'S DOOR SWITCH PACK ILLUM.
PD12	16-WAY SUMITOMO BLOCK (GREEN)	RIGHT 'A' POST / PASSENGER'S DOOR HARNESS

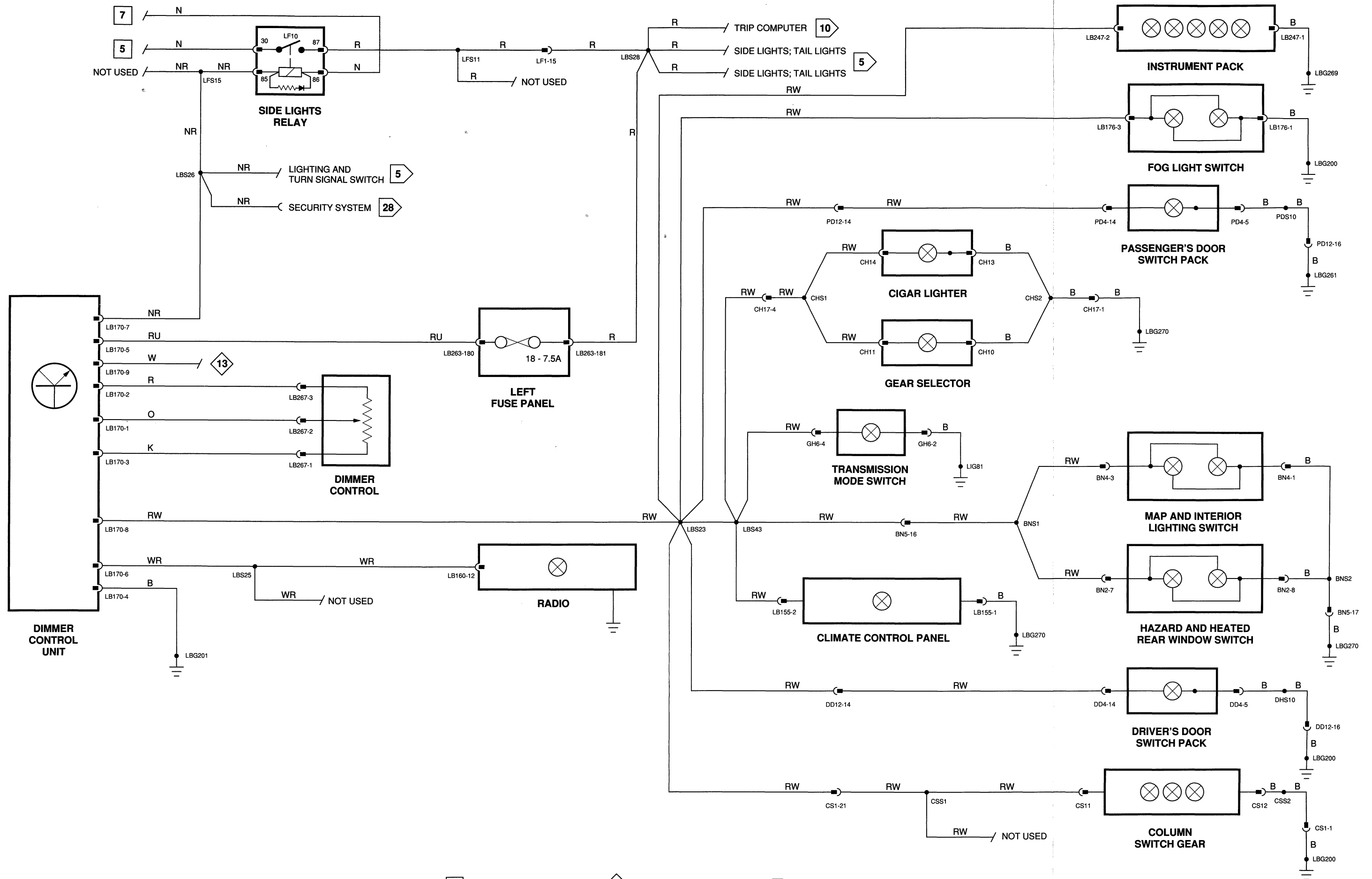
## GROUND

CODE	DESCRIPTION	LOCATION / INTERFACE
LBG200	EYELET	LEFT 'A' POST FASCIA END PANEL / POWER GROUND
LBG201	EYELET	LEFT 'A' POST FASCIA END PANEL / POWER GROUND
LBG269	EYELET	LEFT 'A' POST FASCIA END PANEL / POWER GROUND
LBG261	EYELET	RIGHT 'A' POST FASCIA END PANEL / POWER GROUND
LBG270	EYELET	RIGHT 'A' POST FASCIA END PANEL / POWER GROUND
LIG81	EYELET	ENGINE COMPARTMENT, BULKHEAD STUD BEHIND ABS PUMP / POWER GROUND

## INPUTS / OUTPUTS

### DIMMER CONTROL UNIT

CODE	IN / OUT	CIRCUIT	ACTIVE	INACTIVE
LB170-1	INPUT	LIGHTING DIMMER POTENTIOMETER	MAX: APPROX. 13V	MIN: APPROX. 6V
LB170-2	INPUT	LIGHTING DIMMER POTENTIOMETER	MAX: APPROX. 14V	MIN: APPROX. 6V
LB170-3	INPUT	LIGHTING DIMMER POTENTIOMETER	MAX: APPROX. 13V	MIN: APPROX. 7V
LB170-4	INPUT	POWER GROUND	GROUND	GROUND
LB170-5	INPUT	BATTERY POWER	12V	12V
LB170-6	OUTPUT	RADIO ILLUMINATION	LIGHTS ON: 12V	LIGHTS OFF: 0V
LB170-7	INPUT	SIDE LIGHTS	LIGHTS ON: GROUND	LIGHTS OFF: 12V
LB170-8	OUTPUT	INSTRUMENT LIGHTING	MAX: APPROX. 11V	MIN: APPROX. 4.5V
LB170-9	INPUT	IGNITION SWITCHED POWER	KEY ON: 12V	KEY OFF: 0V



□ BATTERY POWER (FIG 1)

◇ IGNITION POWER (FIG 2)

◡ FIG NUMBER REFERENCE

# FIG 9 DATA

## COMPONENTS

DESCRIPTION	LOCATION	ACCESS
ANTI-SLOSH MODULE	LEFT REAR COMPONENT PANEL	LEFT TRUNK WHEEL ARCH
BULB CHECK UNIT	LEFT COMPONENT PANEL	LEFT DASH UNDER PANEL
COOLANT LEVEL SENSOR	BELOW B BANK AIR CLEANER, ON COOL. RESERVOIR	ENGINE COMPARTMENT
COOLANT LEVEL TRANSMITTER	RIGHT COMPONENT PANEL	RIGHT DASH UNDER PANEL
COOLANT TEMPERATURE TRANSMITTER	RIGHT FRONT WATER MANIFOLD	ENGINE COMPARTMENT
DIODE — LBD64	BEHIND INSTRUMENT PACK	INSTRUMENT PACK
DIODE — RHD(A)	CENTER CONSOLE, LEFT, UNDER INSULATION	CENTER CONSOLE
FUEL LEVEL TRANSMITTER	FUEL TANK	TRUNK
INSTRUMENT PACK	DRIVER'S SIDE DASH	LEFT DASH UNDER PANEL
OIL PRESSURE SWITCH	BETWEEN A&B BANK, REAR OF ENGINE	ENGINE COMPARTMENT
OIL PRESSURE TRANSMITTER	BETWEEN A&B BANK, REAR OF ENGINE	ENGINE COMPARTMENT
PARKING BRAKE SWITCH	PARKING BRAKE HANDLE	REMOVE BRAKE HANDLE TRIM
WASHER RESERVOIR LEVEL SENSOR	BELOW UPPER RADIATOR HOSE	ENGINE COMPARTMENT

NOTE: COMPONENT IDENTIFICATIONS WITH [A] OR [B] RATHER THAN A NUMBER INDICATE COMPONENTS WITHOUT JDS DATA BASE IDENTIFICATION. THESE IDENTIFICATIONS ARE PENDING.

## CONNECTORS

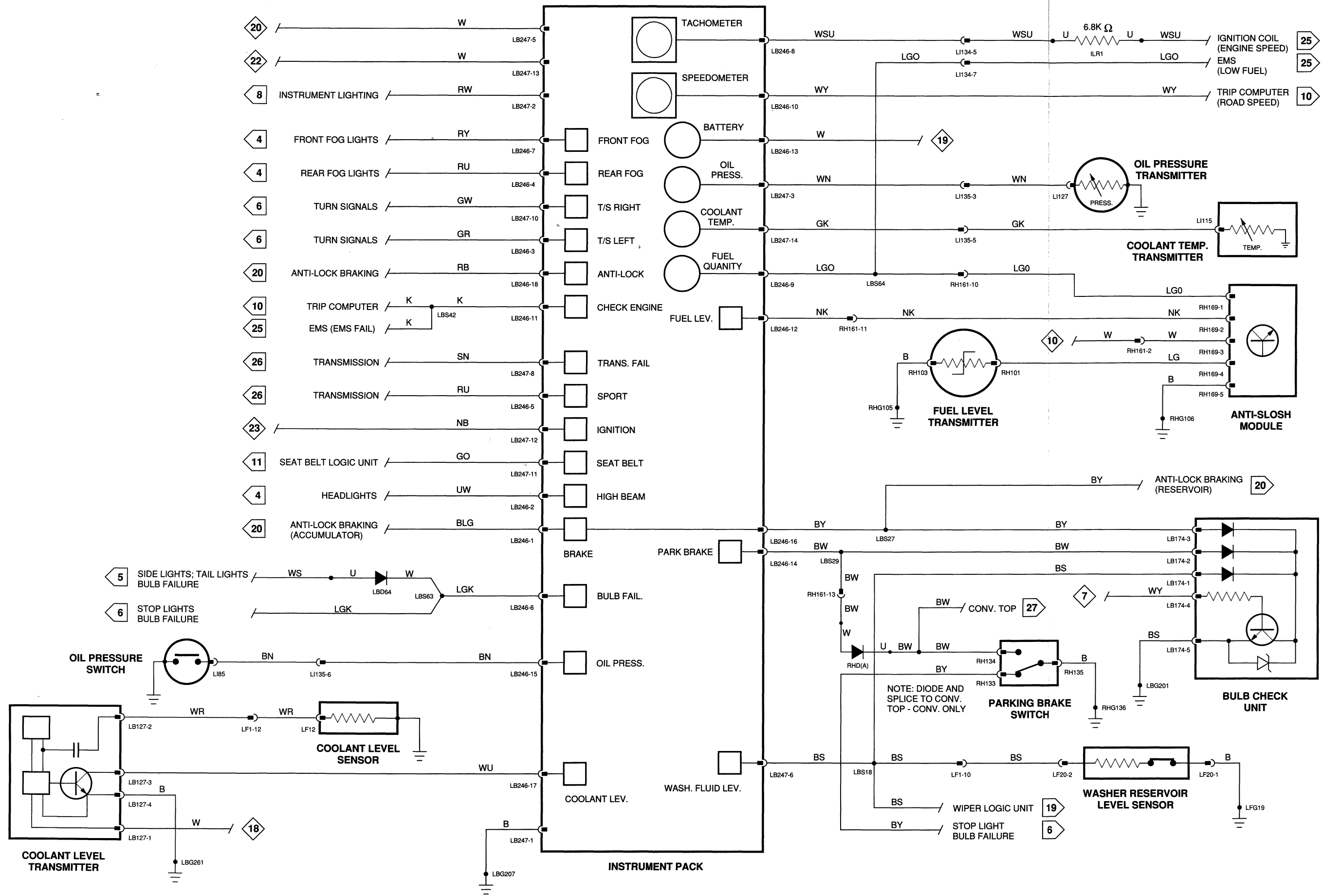
CODE	DESCRIPTION	LOCATION / INTERFACE
LB127	5-WAY AMP (WHITE)	BEHIND RIGHT COMPONENT PANEL / COOLANT LEVEL TRANSMITTER
LB174	RELAY BASE (GREEN)	LEFT COMPONENT PANEL / BULB CHECK UNIT
LB246	18-WAY HEWLETT PACKARD (BLACK)	BEHIND INSTRUMENT PACK / INSTRUMENT PACK
LB247	14-WAY HEWLETT PACKARD (BLACK)	BEHIND INSTRUMENT PACK / INSTRUMENT PACK
LF1	18-WAY SUMITOMO BLOCK (BLACK)	LEFT 'A' POST / COOLANT LEVEL SENSOR HARNESS
LF12	SPADE	COOLANT RESERVOIR / COOLANT LEVEL SENSOR
LF20	3-WAY PM 5 (BLACK)	BELOW UPPER RADIATOR HOSE / WASHER RESERVOIR LEVEL SENSOR
LI85	SPADE	ENGINE COMPARTMENT / OIL PRESSURE TRANSMITTER
LI115	SPADE (BLACK)	ABOVE THERMOSTAT HOUSING / COOLANT TEMPERATURE TRANSMITTER
LI134	20-WAY MULTILOCK 70 (WHITE)	LEFT DASH UNDER PANEL / ENGINE TO BULKHEAD HARNESS
LI135	4-WAY ECONOSEAL III LC (BLACK)	RIGHT DASH UNDER PANEL / ENGINE TO BULKHEAD HARNESS
RH101	SPADE	FUEL TANK / FUEL LEVEL TRANSMITTER
RH103	SPADE	FUEL TANK / FUEL LEVEL TRANSMITTER
RH133	SPADE	UNDER PARK BRAKE TRIM / PARK BRAKE SWITCH
RH134	SPADE	UNDER PARK BRAKE TRIM / PARK BRAKE SWITCH
RH135	SPADE	UNDER PARK BRAKE TRIM / PARK BRAKE SWITCH
RH161	20-WAY SUMITOMO BLOCK (NATURAL)	BELOW LEFT A/C OUTLET / REAR HARNESS
RH169	RELAY BASE (BLACK)	LEFT TRUNK BEHIND GAS STRUT SUPPORT / ANTI-SLOSH UNIT

## GROUND

CODE	DESCRIPTION	LOCATION / INTERFACE
LBG201	EYELET	LEFT 'A' POST FASCIA END PANEL / POWER GROUND
LBG207	EYELET	LEFT 'A' POST FASCIA END PANEL / POWER GROUND
LBG261	EYELET	RIGHT 'A' POST FASCIA END PANEL / POWER GROUND
LFG19	EYELET	TOP RIGHT RADIATOR SUPPORT MOUNT / POWER GROUND
RHG105	EYELET	BETWEEN BATTERY AND INNER WHEEL ARCH / POWER GROUND
RHG106	EYELET	BETWEEN BATTERY AND INNER WHEEL ARCH / POWER GROUND

## INPUTS / OUTPUTS

ANTI-SLOSH MODULE		NOTE: PERFORM TEST WITH ANTI-SLOSH UNIT DISCONNECTED / PROBE RELAY BASE		
CODE	IN / OUT	CIRCUIT	ACTIVE	INACTIVE
RH169-1	OUTPUT	FUEL QUANTITY — DASH	KEY ON: 12V	KEY OFF: 0V
RH169-2	OUTPUT	FUEL LEVEL — DASH	KEY ON: 12V	KEY OFF: 0V
RH169-3	INPUT	IGNITION SWITCHED POWER	KEY ON: 12V	KEY OFF: 0V
RH169-4	INPUT	FUEL LEVEL TRANSMITTER	RESISTANCE VARIES W/FUEL LEVEL; MAX: APPROX. 18Ω, MIN: APPROX. 250Ω	GROUND
RH169-5	INPUT	POWER GROUND	GROUND	GROUND



- 5 SIDE LIGHTS; TAIL LIGHTS BULB FAILURE
- 6 STOP LIGHTS BULB FAILURE

BATTERY POWER (FIG 1)
  IGNITION POWER (FIG 2)
  FIG NUMBER REFERENCE

# FIG 10 DATA

## COMPONENTS

**DESCRIPTION**  
SPEED INTERFACE UNIT  
SPEED SENSOR  
TRIP COMPUTER

**LOCATION**  
TRUNK, LEFT  
DIFFERENTIAL  
CENTER CONSOLE

**ACCESS**  
REMOVE LEFT TRIM  
BENEATH VEHICLE  
—

## CONNECTORS

CODE	DESCRIPTION	LOCATION / INTERFACE
BN3	10-WAY SUMITOMO STD. (RED)	BEHIND TRIP COMPUTER / TRIP COMPUTER
BN5	20-WAY SUMITOMO BLOCK (NATURAL)	BELOW RIGHT A/C OUTLET / BINNACLE HARNESS
L1134	20-WAY MULTILOCK 70 (WHITE)	LEFT DASH UNDER PANEL / ENGINE TO BULKHEAD HARNESS
RH114	4-WAY PM HD (BLACK)	BEHIND LEFT TRUNK LID GAS STRUT SUPPORT / SPEED INTERFACE UNIT
RH160	14-WAY SUMITOMO BLOCK (NATURAL)	BELOW LEFT A/C OUTLET / REAR HARNESS

## GROUNDS

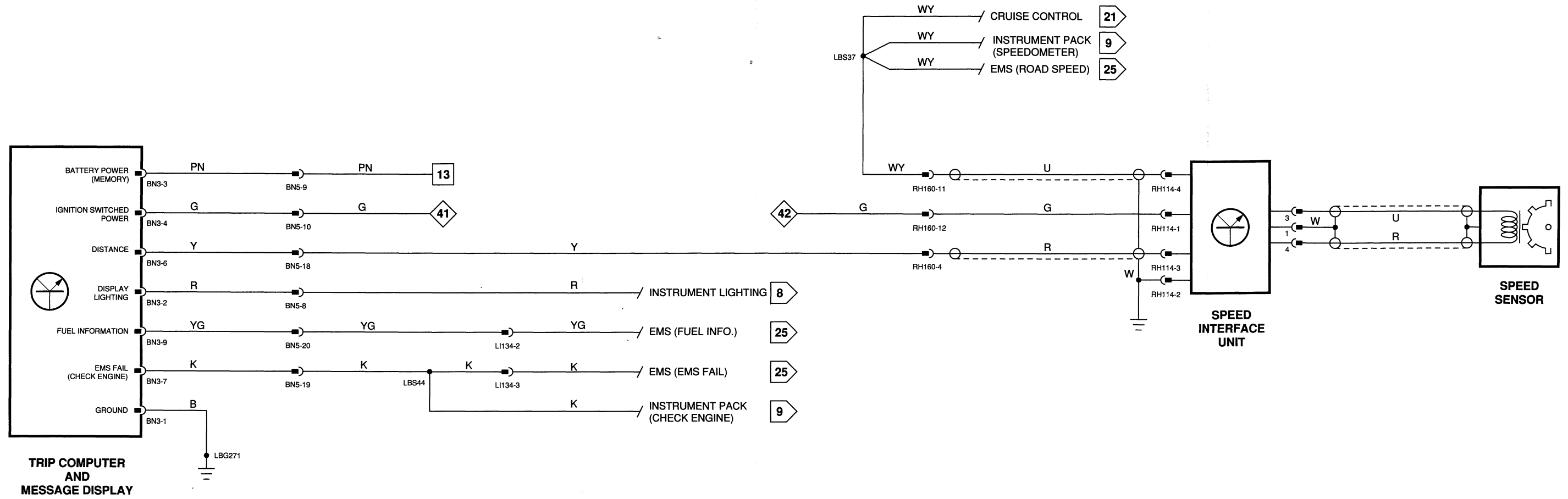
CODE	DESCRIPTION	LOCATION / INTERFACE
LBG271	EYELET	LEFT 'A' POST FASCIA END PANEL / POWER GROUND

## INPUTS / OUTPUTS

### TRIP COMPUTER AND MESSAGE DISPLAY

CODE	IN / OUT	CIRCUIT	ACTIVE	INACTIVE
BN3-1	INPUT	POWER GROUND	LIGHTS ON: GROUND	LIGHTS OFF: GROUND
BN3-2	INPUT	LIGHTING DISPLAY	LIGHTS ON: 12V	LIGHTS OFF: 0V
BN3-3	INPUT	BATTERY POWER	12V	12V
BN3-4	INPUT	IGNITION SWITCHED POWER	12V	0V
BN3-6	INPUT	DISTANCE TRAVELED	AC VOLTS INCREASE W/ROAD SPEED	KEY ON: APPROX. 5V AC
BN3-7	INPUT	CHECK ENGINE LIGHT	LIGHTS ON: APPROX. 1V	LIGHTS OFF: 12V
BN3-9	INPUT	FUEL INFORMATION	AC VOLTS INCREASE W/ENGINE RPM	0 ENGINE RPM: 0V AC





□ BATTERY POWER (FIG 1)

◇ IGNITION POWER (FIG 2)

▢ FIG NUMBER REFERENCE

# FIG 11 DATA

## COMPONENTS

### DESCRIPTION

DOOR SWITCH — DRIVER'S  
DRIVER'S SEAT BELT SWITCH  
KEY IN SWITCH  
LIGHTING AND TURN SIGNAL SWITCH  
LIGHTS ON AUDIBLE WARNING UNIT  
RELAY — SIDE LIGHTS (LF10)  
SEAT BELT LOGIC UNIT

### LOCATION

LEFT 'A' POST  
SEAT BELT LATCH  
STEERING COLUMN, RIGHT  
STEERING COLUMN, LEFT  
LEFT COMPONENT PANEL  
LEFT FRONT COMPONENT PANEL  
RIGHT COMPONENT PANEL

### ACCESS

LEFT DASH UNDER PANEL  
BASE OF LEFT SEAT MECHANISM  
COLUMN TRIM  
REMOVE STEERING COLUMN TRIM  
LEFT DASH UNDER PANEL  
LEFT DASH UNDER PANEL  
RIGHT DASH UNDER PANEL

## CONNECTORS

### CODE

### DESCRIPTION

CS1 24-WAY SUMITOMO BLOCK (NATURAL)  
CS2 6-WAY SUMITOMO STD. (NATURAL)  
LB130 6-WAY PRESSAC PEKTRON  
LB188 2-WAY SUMITOMO STD. (NATURAL)  
LB203 2-WAY SUMITOMO STD. (NATURAL)  
LB286 RELAY BASE (NATURAL)  
LF1 18-WAY SUMITOMO BLOCK (BLACK)  
LF10 RELAY BASE (BLUE)  
RH161 20-WAY SUMITOMO BLOCK (WHITE)  
SB1 3-WAY PM 5 (GREEN)  
SB2 3-WAY PM 5 (NATURAL)  
SH13 3-WAY PM 5 (BLACK)

### LOCATION / INTERFACE

STEERING COLUMN, LEFT / COLUMN SWITCH GEAR HARNESS  
LIGHTING STALK SWITCH GEAR / LIGHTING AND TURN SIGNAL SWITCH  
RIGHT COMPONENT PANEL / SEAT BELT LOGIC UNIT  
LEFT UNDER DASH 6 IN. FROM 'A' POST SWITCH / DRIVER'S DOOR SWITCH  
STEERING COLUMN UNDER DASH / KEY IN SWITCH  
LEFT COMPONENT PANEL / LIGHTS ON AUDIBLE WARNING UNIT  
LEFT 'A' POST / BULKHEAD HARNESS  
LEFT FRONT COMPONENT PANEL / SIDE LIGHTS RELAY  
BELOW LEFT A/C OUTLET / REAR HARNESS  
FRONT OF DRIVER'S SEAT / DRIVER'S SEAT BELT SWITCH  
BELOW DRIVER'S SEAT / DRIVER'S SEAT BELT SWITCH HARNESS  
BELOW DRIVER'S SEAT / DRIVER'S SEAT BELT SWITCH

## GROUND

### CODE

### DESCRIPTION

LBG161 EYELET  
LBG200 EYELET  
LBG261 EYELET  
RHG149 EYELET

### LOCATION / INTERFACE

LEFT TRANSMISSION TUNNEL BY A/C SUPPORT / LOGIC GROUND  
LEFT 'A' POST FASCIA END PANEL / POWER GROUND  
RIGHT 'A' POST FASCIA END PANEL / POWER GROUND  
TRANSMISSION TUNNEL / LOGIC GROUND

## INPUTS / OUTPUTS

### SEAT BELT LOGIC UNIT

### CODE

### IN / OUT

### CIRCUIT

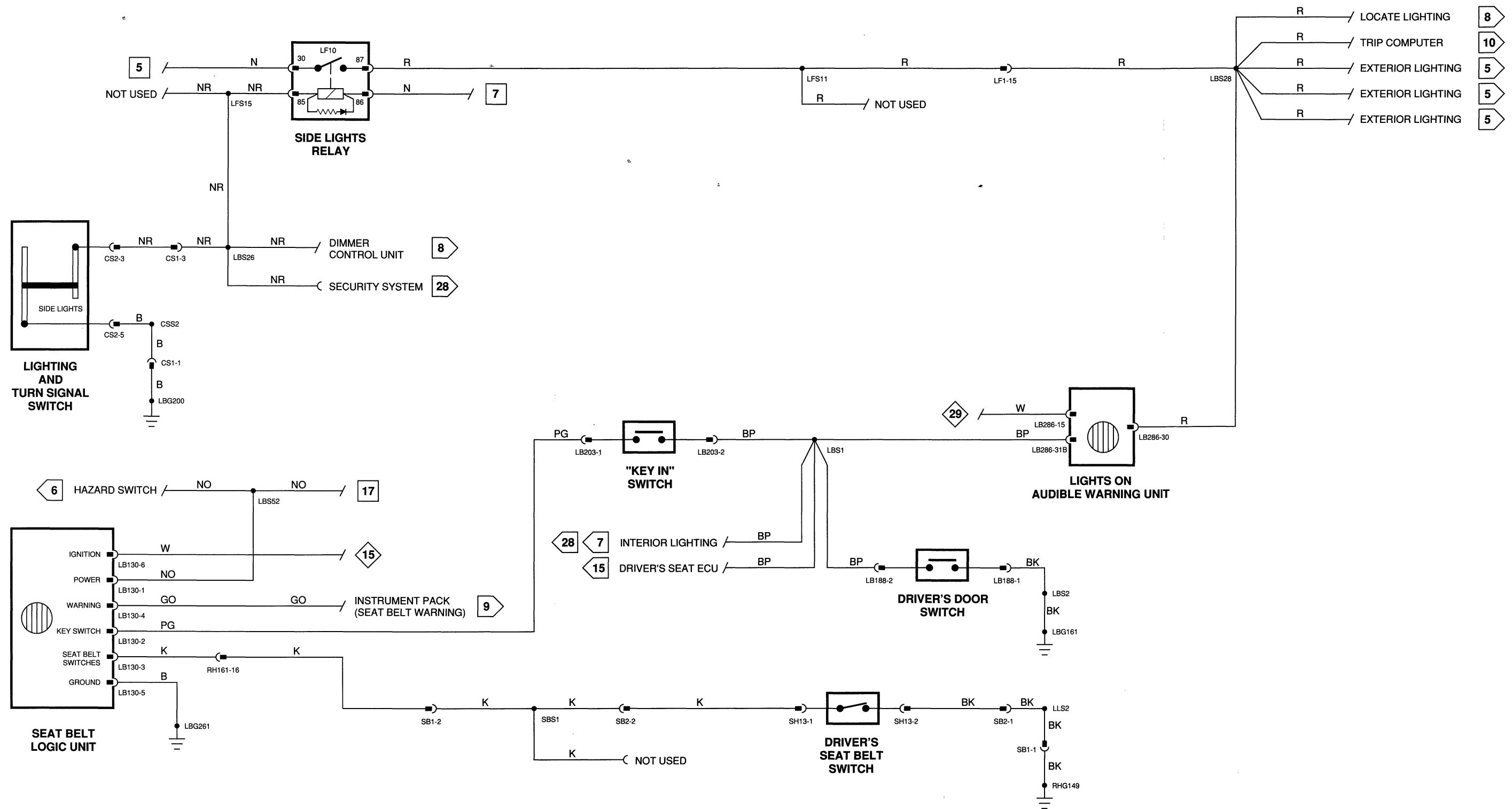
LB130-1 INPUT SEAT BELT LOGIC  
LB130-2 INPUT KEY IN AUDIO BUZZER  
LB130-3 INPUT DRIVER'S SEAT BELT SWITCH  
LB130-4 OUTPUT INSTRUMENT PACK SEAT BELT WARNING  
LB130-5 INPUT POWER GROUND  
LB130-6 INPUT IGNITION SWITCHED POWER

### ACTIVE

12V  
DRIVER'S DOOR OPEN: GROUND  
BELT LATCHED: OPEN CIRCUIT  
APPROX. 7V  
GROUND  
12V

### INACTIVE

12V  
DRIVER'S DOOR CLOSED: 12V  
BELT UNLATCHED: GROUND  
12V  
GROUND  
0V



□ BATTERY POWER (FIG 1)

◇ IGNITION POWER (FIG 2)

◁ FIG NUMBER REFERENCE

# FIG 12 DATA

## COMPONENTS

DESCRIPTION	LOCATION	ACCESS
DOOR LOCK CONTROL UNIT	INSIDE RIGHT 'A' POST	RIGHT DASH UNDER PANEL, 'A' POST TRIM
DOOR LOCK MOTOR — DRIVER'S	DRIVER'S DOOR	REMOVE DOOR TRIM
DOOR LOCK MOTOR — PASSENGER'S	PASSENGER'S DOOR	REMOVE DOOR TRIM
FUEL FILLER FLAP SOLENOID	LEFT REAR FENDER	REMOVE LEFT TRUNK TRIM
TRUNK LOCK MOTOR	ABOVE TRUNK LINKAGE	TRUNK LID

## CONNECTORS

CODE	DESCRIPTION	LOCATION / INTERFACE
BL7	2-WAY SUMITOMO (NATURAL)	TRUNK LOCK / TRUNK LOCK MOTOR
BL11	10-WAY SUMITOMO STD. (NATURAL)	ABOVE EFI ECU / REAR HARNESS
DD5	6-WAY SUMITOMO STD. (WHITE)	DRIVER'S DOOR / DRIVER'S DOOR LOCK MOTOR
DD13	20-WAY SUMITOMO BLOCK (NATURAL)	LEFT 'A' POST / DD HARNESS
LB138	14-WAY REINSHAGEN (BLACK)	INSIDE RIGHT LOWER 'A' POST / DOOR LOCK CONTROL UNIT
PD5	6-WAY SUMITOMO STD. (WHITE)	PASSENGER'S DOOR / PASSENGER'S DOOR LOCK MOTOR
PD13	20-WAY SUMITOMO BLOCK (YELLOW)	RIGHT 'A' POST / PD HARNESS
RH125	3-WAY PM 5 (YELLOW)	TOP OF FUEL TANK AT FILLER NECK / FUEL FILLER FLAP SOLENOID
RH161	20-WAY SUMITOMO BLOCK (NATURAL)	BELOW LEFT A/C OUTLET / REAR HARNESS

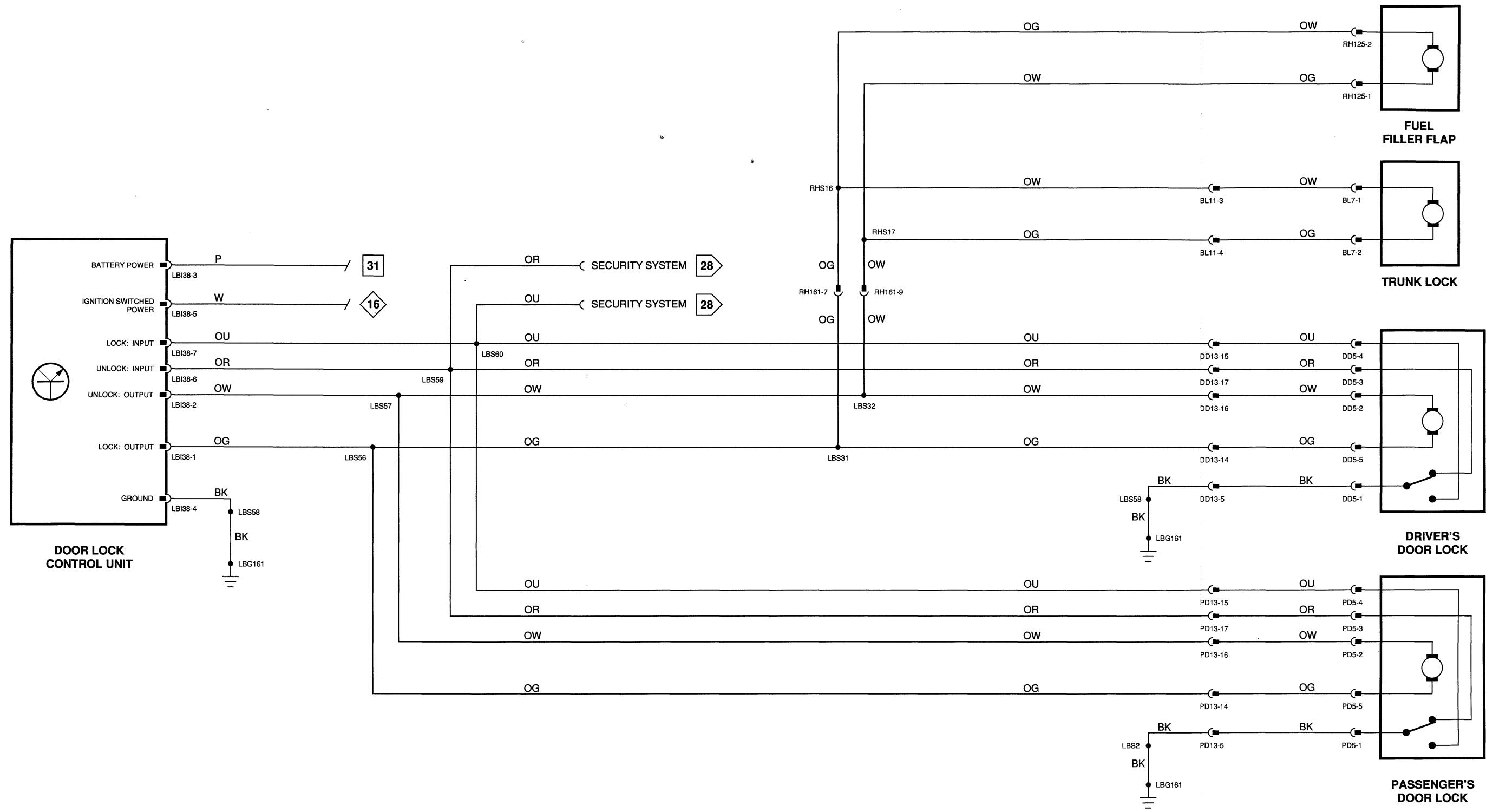
## GROUNDS

CODE	DESCRIPTION	LOCATION / INTERFACE
LBG161	EYELET	LEFT TRANSMISSION TUNNEL BY A/C SUPPORT / LOGIC GROUND

## INPUTS / OUTPUTS

### DOOR LOCK CONTROL UNIT

CODE	IN / OUT	CIRCUIT	ACTIVE	INACTIVE
LB138-1	OUTPUT	LOCK MOTOR DRIVE	12V	0V
LB138-2	OUTPUT	LOCK MOTOR DRIVE	12V	0V
LB138-3	INPUT	BATTERY POWER	12V	12V
LB138-4	INPUT	POWER GROUND	GROUND	GROUND
LB138-5	INPUT	IGNITION SWITCHED POWER	12V	0V
LB138-6	INPUT	DOOR LOCK INPUT	GROUND	OPEN CIRCUIT
LB138-7	INPUT	DOOR LOCK INPUT	GROUND	OPEN CIRCUIT



□ BATTERY POWER (FIG 1)

◇ IGNITION POWER (FIG 2)

▢ FIG NUMBER REFERENCE

# FIG 13 DATA

## COMPONENTS

DESCRIPTION	LOCATION	ACCESS
WINDOW LIFT THERMAL BREAKER	RIGHT COMPONENT PANEL	RIGHT DASH UNDER PANEL
WINDOW MOTOR — DRIVER'S	DRIVER'S DOOR	REMOVE TRIM
WINDOW MOTOR — PASSENGER'S	PASSENGER'S DOOR	REMOVE TRIM
WINDOW SWITCH — DRIVER'S	CENTER CONSOLE, LEFT	—
WINDOW SWITCH — PASSENGER'S	CENTER CONSOLE, RIGHT	—

---

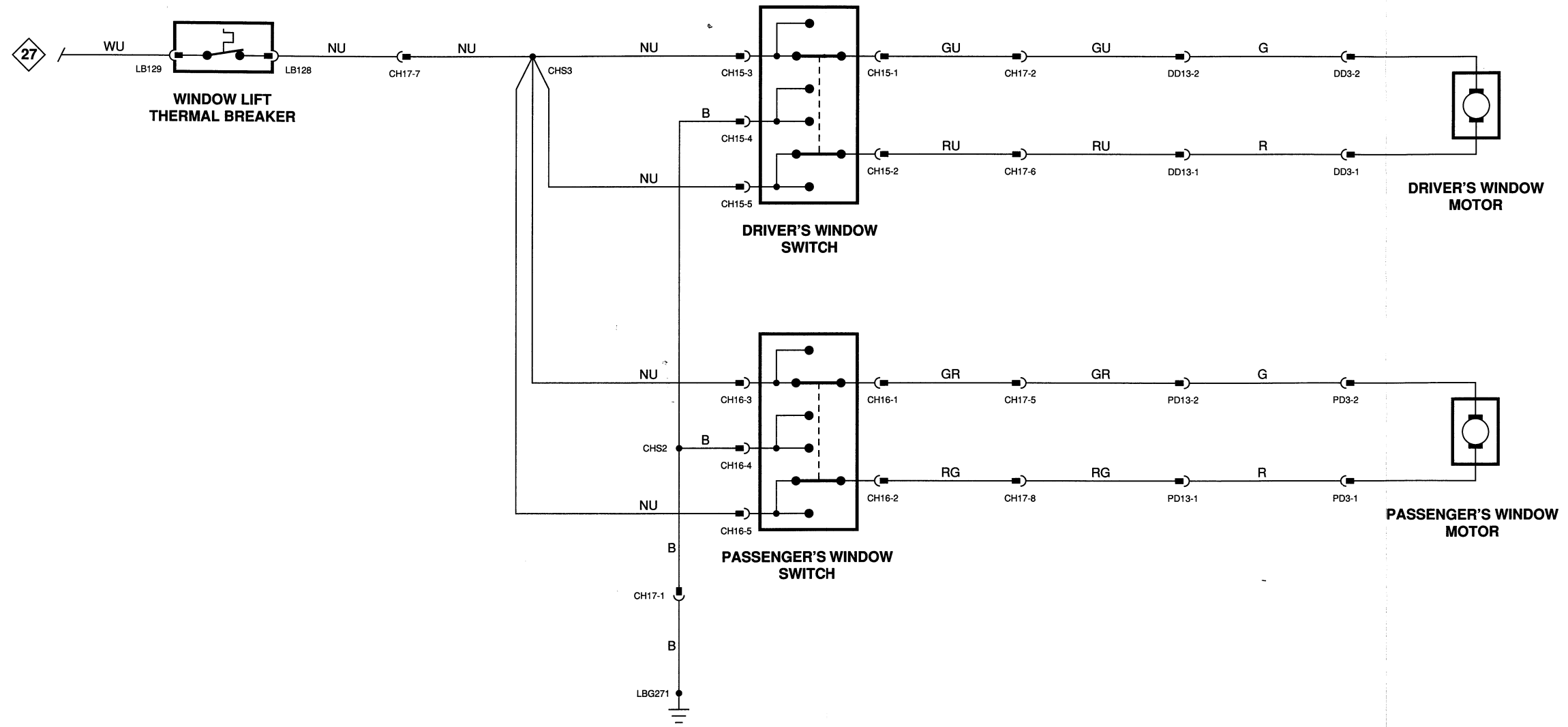
## CONNECTORS

CODE	DESCRIPTION	LOCATION / INTERFACE
CH15	6-WAY SUMITOMO BLOCK (WHITE)	CENTER CONSOLE / DRIVER'S WINDOW SWITCH
CH16	6-WAY SUMITOMO BLOCK (WHITE)	CENTER CONSOLE / PASSENGER'S WINDOW SWITCH
CH17	10-WAY SUMITOMO BLOCK (NATURAL)	BELOW RIGHT A/C OUTLET / CENTER CONSOLE HARNESS
DD3	3-WAY PM 5 (BLACK)	DRIVER'S DOOR / DRIVER'S WINDOW LIFT MOTOR
DD13	20-WAY SUMITOMO BLOCK (YELLOW)	LEFT 'A' POST / DD HARNESS
LB128	SPADE	RIGHT COMPONENT PANEL / WINDOW LIFT THERMAL BREAKER
LB129	SPADE	RIGHT COMPONENT PANEL / WINDOW LIFT THERMAL BREAKER
PD3	3-WAY PM 5 (BLACK)	PASSENGER'S DOOR / PASSENGER'S WINDOW LIFT MOTOR
PD13	20-WAY SUMITOMO BLOCK (YELLOW)	RIGHT 'A' POST / PD HARNESS

---

## GROUND

CODE	DESCRIPTION	LOCATION / INTERFACE
LBG271	EYELET	LEFT 'A' POST FASCIA END PANEL / POWER GROUND



□ BATTERY POWER (FIG 1)

◇ IGNITION POWER (FIG 2)

▢ FIG NUMBER REFERENCE

# FIG 14 DATA

## COMPONENTS

DESCRIPTION	LOCATION	ACCESS
CIGAR LIGHTER	CENTER CONSOLE	—
HORN SWITCH	STEERING WHEEL	—
HORN — LEFT	BELOW FRONT BUMPER, CENTER LEFT	—
RELAY — HORN (RF2)	RIGHT FRONT COMPONENT PANEL	ENGINE COMPARTMENT, RIGHT
HORN — RIGHT	BELOW FRONT BUMPER, CENTER RIGHT	—

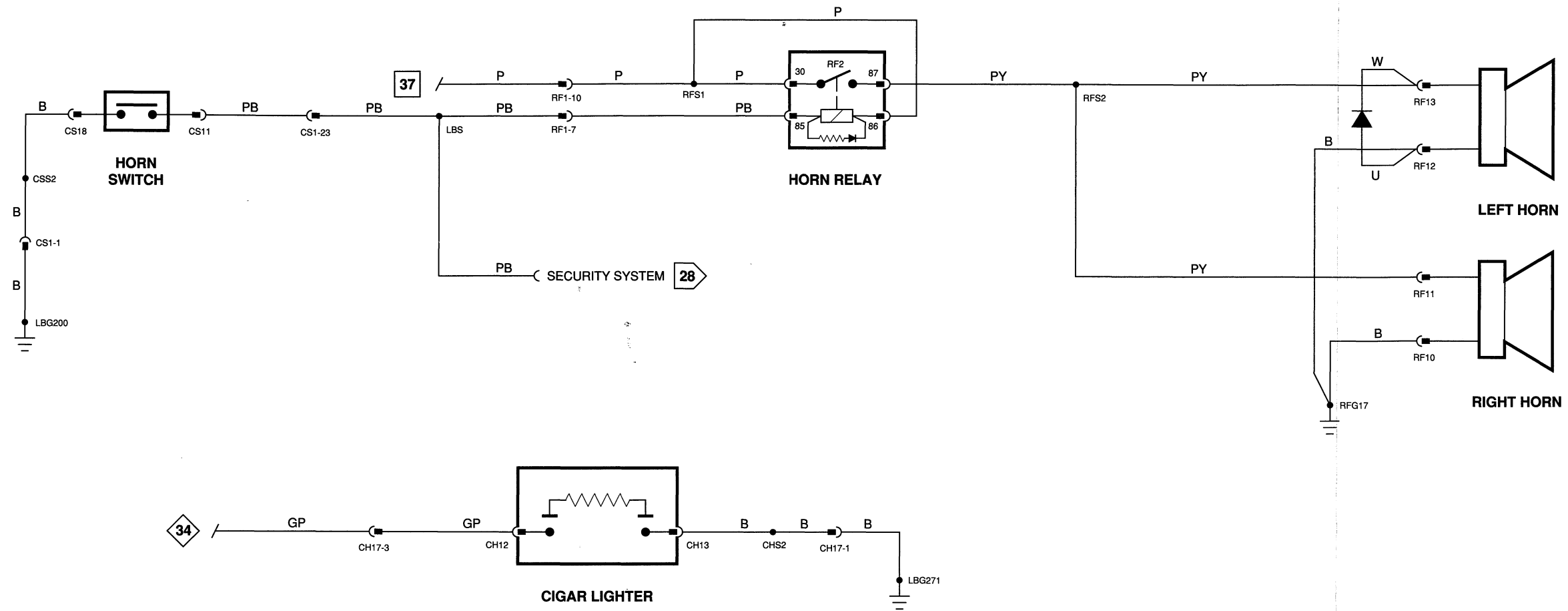
## CONNECTORS

CODE	DESCRIPTION	LOCATION / INTERFACE
CH12	WHITE SOCKET	CENTER CONSOLE / CIGAR LIGHTER
CH13	SPADE (BLACK)	CENTER CONSOLE / CIGAR LIGHTER GROUND
CH17	10-WAY SUMITOMO BLOCK (NATURAL)	BELOW RIGHT A/C OUTLET / CENTER CONSOLE HARNESS
CS1	24-WAY SUMITOMO BLOCK (NATURAL)	ADJACENT TO STEERING COLUMN / COLUMN SWITCH GEAR HARNESS
CS11	1-WAY BULLET	BEHIND STEERING WHEEL ON COLUMN / HORN POWER FEED
CS18	SOCKET	STEERING COLUMN / HORN GROUNDING RING
EM35	SPADE	TRANSMISSION CASE CONNECTOR / KICKDOWN SOLENOID
LB266	3-WAY PM 5 (PURPLE)	UNDER CARPET BEHIND ACCELERATOR / KICKDOWN SWITCH
RF1	18-WAY SUMITOMO BLOCK (BLACK)	RIGHT 'A' POST / RF HARNESS
RF2	RELAY BASE (BLACK)	RIGHT FRONT COMPONENT PANEL / HORN RELAY
RF5	9-WAY PM 4 (BLACK)	BEHIND BANK A CYLINDER HEAD / KICKDOWN SWITCH
RF10	SPADE	RIGHT FRONT HORN / HORN
RF11	SPADE	RIGHT FRONT HORN / HORN
RF12	SPADE	LEFT FRONT HORN / HORN
RF13	SPADE	LEFT FRONT HORN / HORN

## GROUNDS

CODE	DESCRIPTION	LOCATION / INTERFACE
LBG200	EYELET	FRONT RIGHT INNER FENDER BEHIND HORN RELAY / POWER GROUND
LBG271	EYELET	LEFT 'A' POST FASCIA END PANEL / POWER GROUND
RF17	EYELET	FRONT RIGHT INNER FENDER BEHIND HORN RELAY / POWER GROUND





□ BATTERY POWER (FIG 1)

◇ IGNITION POWER (FIG 2)

◻ FIG NUMBER REFERENCE

# FIG 15 DATA

## COMPONENTS

DESCRIPTION	LOCATION	ACCESS
DOOR SWITCH — DRIVER'S	LEFT 'A' POST	LEFT DASH UNDER PANEL
DOOR SWITCH PACK — DRIVER'S	DRIVER'S DOOR	REMOVE TRIM
DRIVER'S SEAT AND MIRROR ECU	FRONT OF DRIVER'S SEAT	REMOVE FOOTWELL COVER
MIRROR ADJUST SWITCH PACK	RIGHT OF STEERING COLUMN ON FASCIA	LEFT DASH UNDER PANEL
RELAY — REVERSE LIGHTS (RH184)	ABOVE RIGHT REAR WHEEL ARCH	RIGHT TRUNK TRIM PANEL
TRANSMISSION ROTARY SWITCH	LEFT SIDE OF GEARBOX	ON GEARBOX

## CONNECTORS

CODE	DESCRIPTION	LOCATION / INTERFACE
DD1	4-WAY SUMITOMO SEALED (GREEN)	INNER DRIVER'S DOOR BELOW MIRROR / DRIVER'S MIRROR MOTORS
DD2	6-WAY SUMITOMO SEALED (GREEN)	INNER DRIVER'S DOOR BELOW MIRROR / DRIVER'S MIRROR MOTORS
DD4	14-WAY SUMITOMO BLOCK (NATURAL)	BEHIND DRIVER'S DOOR TRIM / DRIVER'S DOOR SWITCH PACK
DD12	16-WAY SUMITOMO BLOCK (GREEN)	LEFT 'A' POST / DD HARNESS
DD13	20-WAY SUMITOMO BLOCK (YELLOW)	LEFT INNER 'A' POST / DD HARNESS
DS1	20-WAY SUMITOMO BLOCK (RED)	LEFT 'A' POST / DRIVER'S SEAT HARNESS
DS2	48-WAY GROTE & HARTMAN (BLACK)	UNDER CARPET, FRONT OF DRIVER'S SEAT / DRIVER'S SEAT AND MIRROR ECU
DS3	12-WAY AMP PCB POWER (BLACK)	UNDER CARPET, FRONT OF DRIVER'S SEAT / DRIVER'S SEAT AND MIRROR ECU
DS6	20-WAY SUMITOMO BLOCK (NATURAL)	LEFT 'A' POST / DRIVER'S SEAT HARNESS
GH7	24-WAY PMHD (YELLOW)	LEFT SIDE OF TRANSMISSION / TRANSMISSION ROTARY SWITCH
GH9	14-WAY SUMITOMO BLOCK (WHITE)	BELOW RIGHT A/C OUTLET / BULKHEAD HARNESS
LB171	8-WAY MULTI-PLUG (BLACK)	BEHIND MIRROR SWITCH / MIRROR ADJUST SWITCH PACK
LB188	2-WAY SUMITOMO STD. (NATURAL)	LEFT DASH UNDER PANEL 6 IN. FROM DOOR SWITCH / DRIVER'S DOOR SWITCH
PD1	4-WAY SUMITOMO SEALED (GREEN)	INNER PASSENGER'S DOOR BELOW MIRROR / PASSENGER'S MIRROR MOTORS
PD2	6-WAY SUMITOMO SEALED (GREEN)	INNER PASSENGER'S DOOR BELOW MIRROR / PASSENGER'S MIRROR MOTORS
PD13	20-WAY SUMITOMO BLOCK (YELLOW)	RIGHT INNER 'A' POST / PD HARNESS
RH161	2-WAY SUMITOMO BLOCK (NATURAL)	BELOW LEFT A/C OUTLET / REAR HARNESS
RH184	RELAY BASE (BLUE)	ABOVE RIGHT REAR WHEEL ARCH / REVERSE LIGHTS RELAY
SM1	19-WAY AMP PCB POWER (BLACK)	FRONT OF DRIVER'S SEAT / ECU OUTPUT TO SEAT MOTORS
SM5	5-WAY AMP (BLUE)	BELOW DRIVER'S SEAT PAD / DRIVER'S SEAT RECLINE MOTOR
SM6	3-WAY PM 5 (YELLOW)	BELOW DRIVER'S SEAT PAD / DRIVER'S SEAT LUMBAR PUMP
SM7	5-WAY AMP (BLACK)	BELOW DRIVER'S SEAT PAD / DRIVER'S SEAT FORE/AFT MOTOR

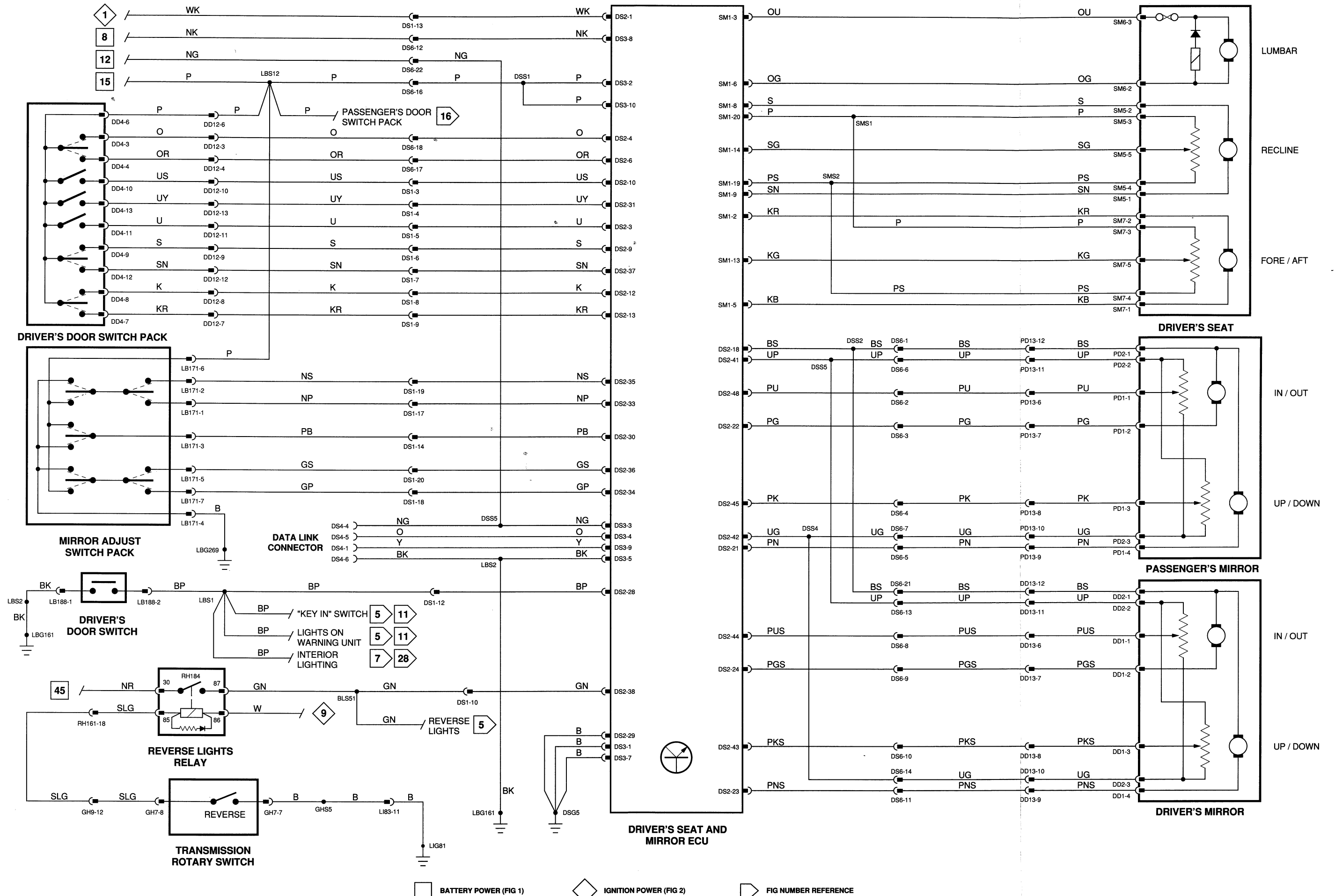
## GROUND

CODE	DESCRIPTION	LOCATION / INTERFACE
DSG5	EYELET	UNDER PANEL BELOW DRIVER'S SEAT / POWER GROUND
LBG161	EYELET	LEFT TRANSMISSION TUNNEL BY A/C SUPPORT / LOGIC GROUND
LBG269	EYELET	LEFT 'A' POST FASCIA END PANEL / POWER GROUND
LIG81	EYELET	ENGINE COMPARTMENT, BULKHEAD STUD BEHIND ABS PUMP / POWER GROUND

## INPUTS / OUTPUTS

### DRIVER'S SEAT AND MIRRORS ECU

CODE	IN / OUT	CIRCUIT	ACTIVE	INACTIVE
DS2-1	INPUT	IGNITION SWITCHED POWER	12V	0V
DS2-3	INPUT	SEAT MEMORY "M"	BUTTON IN: 12V	BUTTON OUT: 0V
DS2-4	INPUT	DRIVER'S LUMBAR PUMP INFLATE	BUTTON IN: 12V	BUTTON OUT: 0V
DS2-6	INPUT	DRIVER'S LUMBAR PUMP DEFLATE	BUTTON IN: 12V	BUTTON OUT: 0V
DS2-9	INPUT	DRIVER'S SEAT BACK UP	BUTTON IN: 12V	BUTTON OUT: 0V
DS2-10	INPUT	SEAT MEMORY "1"	12V	0V
DS2-12	INPUT	DRIVER'S SEAT MOTOR AFT	BUTTON IN: 12V	BUTTON OUT: 0V
DS2-13	INPUT	DRIVER'S SEAT MOTOR FORWARD	BUTTON IN: 12V	BUTTON OUT: 0V
DS2-18	OUTPUT	PASSENGER'S MIRROR MOTOR DRIVE	IN OR DOWN POSITION: 12V	0V
DS2-21	OUTPUT	PASSENGER'S MIRROR MOTOR DRIVE	IN OR UP POSITION: 12V	0V
DS2-22	OUTPUT	PASSENGER'S MIRROR MOTOR DRIVE	DOWN OR OUT POSITION: 12V	0V
DS2-23	OUTPUT	DRIVER'S MIRROR MOTOR DRIVE	UP OR OUT POSITION: 12V	0V
DS2-24	OUTPUT	DRIVER'S MIRROR MOTOR DRIVE	IN OR DOWN POSITION: 12V	0V
DS2-28	INPUT	DRIVER'S 'A' POST SWITCH	DOOR OPEN: GROUND	DOOR CLOSED: 12V
DS2-29	OUTPUT	POWER GROUND	GROUND	GROUND
DS2-30	INPUT	("REVERSE SELECT") MIRROR MOTOR DRIVE	MIRROR BUTTON PRESSED: 12V	BUTTON RELEASED: 0V
DS2-31	INPUT	SEAT MEMORY "2"	BUTTON IN: 12V	BUTTON OUT: 0V
DS2-33	INPUT	DRIVER'S MIRROR UP	12V	0V
DS2-34	INPUT	DRIVER'S MIRROR IN	12V	0V
DS2-35	INPUT	PASSENGER'S MIRROR UP	12V	0V
DS2-36	INPUT	PASSENGER'S MIRROR OUT	12V	0V
DS2-37	INPUT	DRIVER'S SEAT BACK RECLINE	BUTTON IN: 12V	BUTTON OUT: 0V
DS2-38	INPUT	REVERSE SWITCH	"R" SELECTED: 12V	0V
DS2-41	OUTPUT	MIRROR POTENTIOMETER REF. VOLTAGE	"M" DEPRESSED: APPROX. 4.5V	0V
DS2-42	OUTPUT	MIRROR POTENTIOMETER GROUND	GROUND	GROUND
DS2-43	INPUT	DRIVER'S MIRROR POTENTIOMETER SWEEP	MIRROR FULL UP: APPROX. 4.5V	DOWN: .3V
DS2-44	INPUT	DRIVER'S MIRROR POTENTIOMETER SWEEP	MIRROR FULL OUT: APPROX. 1V	IN: 3.5V
DS2-45	INPUT	PASSGR'S MIRROR POTENTIOMETER SWEEP	MIRROR FULL UP: APPROX. 4.5V	DOWN .3V
DS2-48	INPUT	PASSGR'S MIRROR POTENTIOMETER SWEEP	MIRROR FULL OUT: APPROX. 3.5V	IN: 1V
DS3-1	INPUT	POWER GROUND	GROUND	GROUND
DS3-2	INPUT	BATTERY POWER	12V	12V
DS3-3	INPUT	BATTERY POWER	12V	12V
DS3-4	OUTPUT	DIAGNOSTIC SOCKET	—	—
DS3-5	OUTPUT	DIAGNOSTIC SOCKET	—	—
DS3-7	INPUT	POWER GROUND	GROUND	GROUND
DS3-8	INPUT	BATTERY POWER	12V	12V
DS3-9	OUTPUT	DIAGNOSTIC SOCKET	—	—
DS3-10	INPUT	BATTERY POWER	12V	12V
SM1-2	OUTPUT	DRIVER'S SEAT FORE/AFT MOTOR	12V	0V
SM1-3	OUTPUT	DRIVER'S LUMBAR PUMP	12V	0V
SM1-5	OUTPUT	DRIVER'S SEAT FORE/AFT MOTOR	12V	0V
SM1-6	OUTPUT	DRIVER'S LUMBAR PUMP	12V	0V
SM1-8	OUTPUT	DRIVER'S SEAT RECLINE MOTOR	12V	0V
SM1-9	OUTPUT	DRIVER'S SEAT RECLINE MOTOR	12V	0V
SM1-13	INPUT	DRIVER'S SEAT FORE/AFT POTENTIOMETER	FULL BACK: APPROX. 0.3V	FORWARD: 4.0V
SM1-14	INPUT	DRIVER'S SEAT RECLINE POTENTIOMETER	RECLINED: 4.0V	VERTICAL: 1.0V
SM1-19	OUTPUT	DRIVER'S SEAT POTENTIOMETER REFERENCE GROUND	GROUND	GROUND
SM1-20	OUTPUT	DRIVER'S SEAT POTENTIOMETER REFERENCE VOLTAGE	"M" DEPRESSED: APPROX. 4.5V	0V



# FIG 16 DATA

## COMPONENTS

DESCRIPTION	LOCATION	ACCESS
DOOR SWITCH — PASSENGER'S	RIGHT 'A' POST	RIGHT DASH UNDER PANEL
DOOR SWITCH PACK — PASSENGER'S	PASSENGER'S DOOR	REMOVE TRIM
PASSENGER'S SEAT CONTROL UNIT	IN FRONT OF PASSENGER'S SEAT	REMOVE FOOTWELL COVER

## CONNECTORS

CODE	DESCRIPTION	LOCATION / INTERFACE
LB140	2-WAY SUMITOMO STD. (NAT.)	LEFT DASH UNDER PANEL 6" FROM DOOR SWITCH / PASSENGER'S DOOR SWITCH
PD4	14-WAY SUMITOMO BLOCK (NAT.)	BEHIND PASSENGER'S DOOR TRIM / PASSENGER'S DOOR SWITCH PACK
PD12	16-WAY SUMITOMO BLOCK (GREEN)	RIGHT 'A' POST / PD HARNESS
PS1	20-WAY SUMITOMO BLOCK (RED)	RIGHT 'A' POST / PASSENGER'S SEAT HARNESS
PS2	48-WAY GROTE & HARTMAN (BLACK)	UNDER CARPET, FRONT OF PASSENGER'S SEAT / PASSENGER'S SEAT CONTROL UNIT
PS3	12-WAY AMP PCB (BLACK)	UNDER CARPET, FRONT OF PASSENGER'S SEAT / PASSENGER'S SEAT CONTROL UNIT
SN1	12-WAY AMP PCB (YELLOW)	UNDER CARPET, FRONT OF PASSENGER'S SEAT / PASSENGER'S SEAT CONTROL UNIT
SN5	5-WAY AMP (BLUE)	BELOW PASSENGER'S SEAT PAD / PASSENGER'S SEAT RECLINE MOTOR
SN6	3-WAY PM 5 (YELLOW)	BELOW PASSENGER'S SEAT PAD / PASSENGER'S SEAT LUMBAR PUMP
SN7	5-WAY AMP (BLACK)	BELOW PASSENGER'S SEAT PAD / PASSENGER'S SEAT FORE/AFT MOTOR

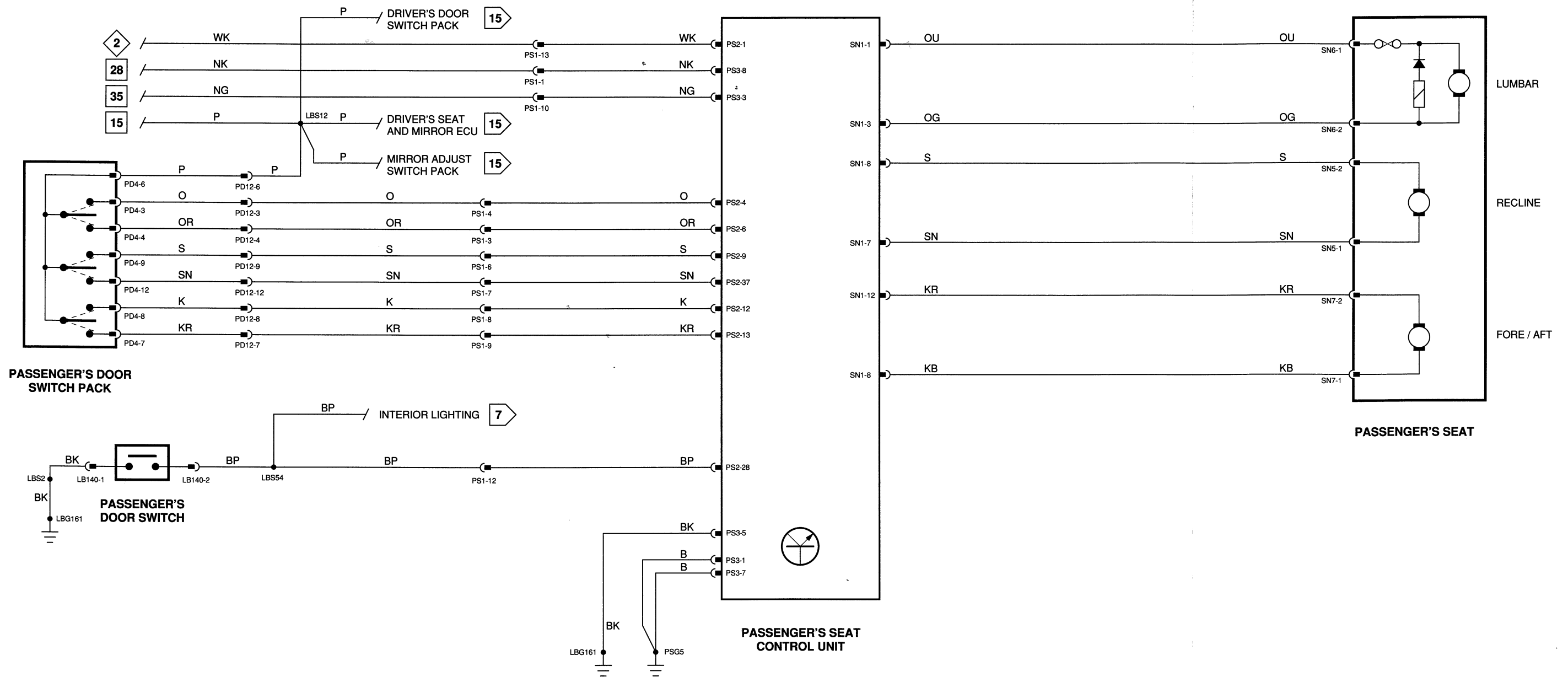
## GROUND

CODE	DESCRIPTION	LOCATION / INTERFACE
LBG161	EYELET	LEFT TRANSMISSION TUNNEL BY A/C SUPPORT / LOGIC GROUND
PSG5	EYELET	UNDER PANEL BELOW PASSENGER'S SEAT / POWER GROUND

## INPUTS / OUTPUTS

### PASSENGER'S SEAT CONTROL UNIT

CODE	IN / OUT	CIRCUIT	ACTIVE	INACTIVE
PS2-1	INPUT	IGNITION SWITCHED POWER	12V	0V
PS2-4	INPUT	PASSENGER'S LUMBAR PUMP INFLATE	BUTTON IN: 12V	BUTTON OUT: 0V
PS2-6	INPUT	PASSENGER'S LUMBAR PUMP DEFLATE	BUTTON IN: 12V	BUTTON OUT: 0V
PS2-9	INPUT	PASSENGER'S SEAT BACK UP SWITCH	BUTTON IN: 12V	BUTTON OUT: 0V
PS2-12	INPUT	PASSENGER'S SEAT AFT SWITCH	BUTTON IN: 12V	BUTTON OUT: 0V
PS2-13	INPUT	PASSENGER'S SEAT FORWARD SWITCH	BUTTON IN: 12V	BUTTON OUT: 0V
PS2-28	INPUT	PASSENGER'S 'A' POST SWITCH	DOOR OPEN: GROUND	DOOR CLOSED: 12V
PS2-37	INPUT	PASSENGER'S SEAT BACK RECLINE	BUTTON IN: 12V	BUTTON OUT: 0V
PS3-1	INPUT	POWER GROUND	GROUND	GROUND
PS3-3	INPUT	BATTERY POWER	12V	12V
PS3-5	INPUT	LOGIC GROUND	GROUND	GROUND
PS3-7	INPUT	POWER GROUND	GROUND	GROUND
PS3-8	INPUT	BATTERY POWER	12V	12V
SN1	OUTPUT	PASSENGER'S LUMBAR PUMP	12V	0V
SN1-3	OUTPUT	PASSENGER'S LUMBAR PUMP	12V	0V
SN1-6	OUTPUT	PASSENGER'S SEAT RECLINE MOTOR	12V	0V
SN1-7	OUTPUT	PASSENGER'S SEAT RECLINE MOTOR	12V	0V
SN1-8	OUTPUT	PASSENGER'S SEAT FORE/AFT MOTOR	12V	0V
SN1-12	OUTPUT	PASSENGER'S SEAT FORE/AFT MOTOR	12V	0V



# FIG 17 DATA

## COMPONENTS

DESCRIPTION	LOCATION	ACCESS
DOOR SWITCH PACK — DRIVER'S	DRIVER'S DOOR	REMOVE TRIM
DOOR SWITCH PACK — PASSENGER'S	PASSENGER'S DOOR	REMOVE TRIM
FUSE PANEL — LEFT	LEFT COMPONENT PANEL	LEFT DASH UNDER PANEL
FUSE PANEL — RIGHT	RIGHT COMPONENT PANEL	RIGHT DASH UNDER PANEL
RELAY — SEAT HEATER (LB283)	RIGHT COMPONENT PANEL	RIGHT DASH UNDER PANEL
SEAT HEATER CONTROL UNIT — DRIVER'S	FRONT OF DRIVER'S SEAT	REMOVE SEAT ECU COVER
SEAT HEATER CONTROL UNIT — PASSENGER'S	FRONT OF PASSENGER'S SEAT	REMOVE SEAT ECU COVER
SEAT HEATERS — DRIVER'S	DRIVER'S SEAT CUSHION	
SEAT HEATERS — PASSENGER'S	PASSENGER'S SEAT CUSHION	

## CONNECTORS

CODE	DESCRIPTION	LOCATION / INTERFACE
DD4	14-WAY SUMITOMO STD. (NATURAL)	DRIVER'S DOOR / DRIVER'S DOOR SWITCH PACK
DD12	16-WAY SUMITOMO BLOCK	DRIVER'S LEFT 'A' POST / BULKHEAD HARNESS
DS1	20-WAY SUMITOMO BLOCK (RED)	LEFT 'A' POST / DRIVER'S SEAT HARNESS
DS7	5-WAY AMP (GREEN)	FRONT OF DRIVER'S SEAT / SEAT HEATER CONTROL UNIT
LB263	FUSE PANEL	LEFT UNDER DASH / BULKHEAD HARNESS
LB268	FUSE PANEL	RIGHT UNDER DASH / BULKHEAD HARNESS
LB283	RELAY BASE (NATURAL)	RIGHT COMPONENT PANEL / SEAT HEATER RELAY
PD4	14-WAY SUMITOMO STD. (NATURAL)	PASSENGER'S DOOR / PASSENGER'S DOOR SWITCH PACK
PD12	16-WAY SUMITOMO BLOCK (GREEN)	RIGHT 'A' POST / BULKHEAD HARNESS
PS1	16-WAY SUMITOMO BLOCK (GREEN)	RIGHT 'A' POST / BULKHEAD HARNESS
PS7	5-WAY AMP (GREEN)	FRONT OF PASSENGER'S SEAT / PASSENGER'S SEAT HEATER CONTROL UNIT
SM2	5-WAY AMP (BLACK)	FRONT OF DRIVER'S SEAT / SEAT HEATER CONTROL UNIT
SM4	5-WAY AMP (WHITE)	BELOW DRIVER'S SEAT / SEAT HEATER ELEMENT
SN2	5-WAY AMP (BLACK)	FRONT OF PASSENGER'S SEAT / PASSENGER'S SEAT HEATER CONTROL UNIT
SN4	5-WAY AMP (WHITE)	BELOW PASSENGER'S SEAT / SEAT HEATER ELEMENT

## GROUNDS

CODE	DESCRIPTION	LOCATION / INTERFACE
DSG5	EYELET	UNDER PANEL BELOW DRIVER'S SEAT / POWER GROUND
LBG200	EYELET	LEFT 'A' POST FASCIA END PANEL / POWER GROUND
LBG261	EYELET	RIGHT 'A' POST FASCIA END PANEL / POWER GROUND
PSG5	EYELET	UNDER PANEL BELOW PASSENGER'S SEAT / POWER GROUND

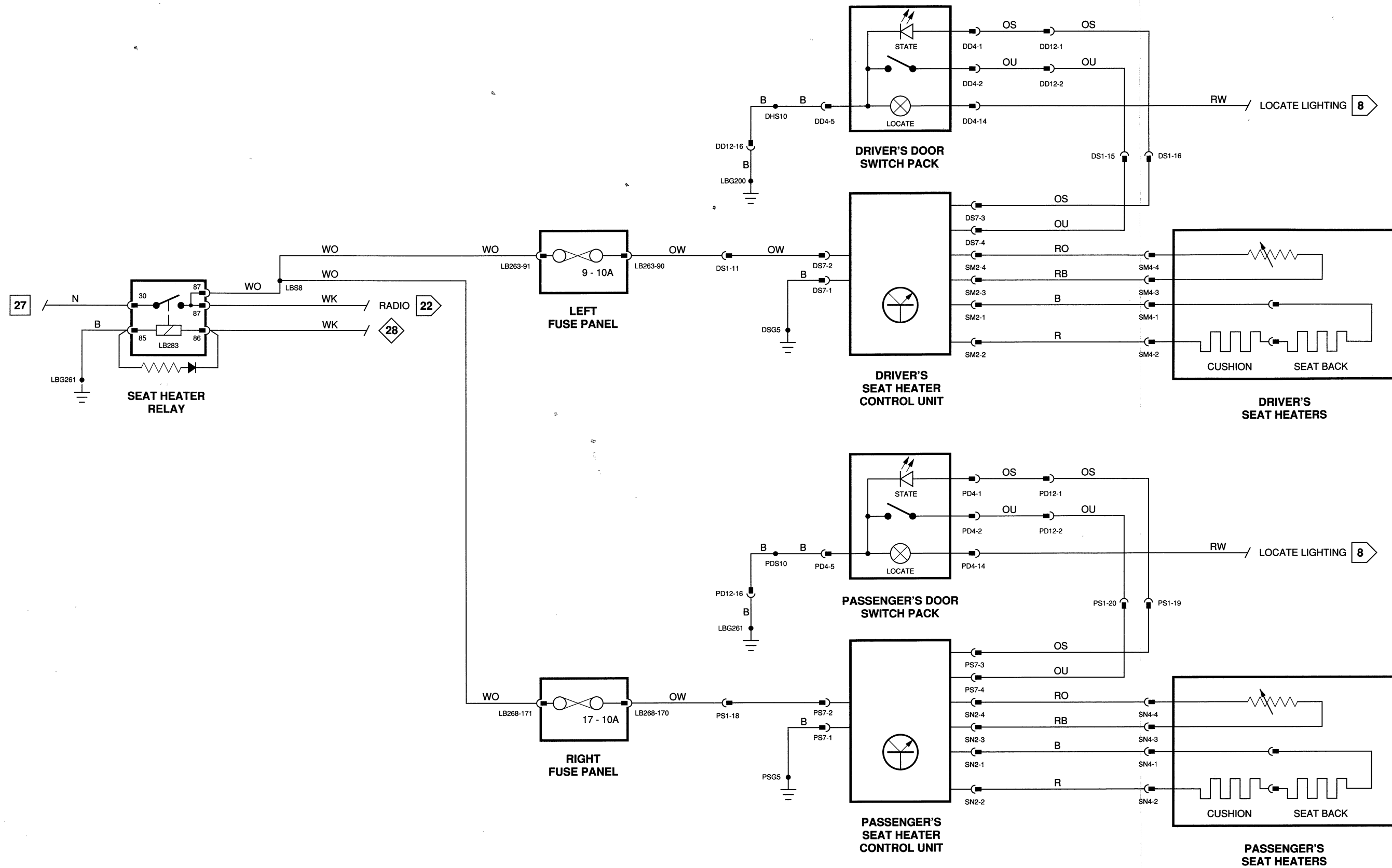
## INPUTS / OUTPUTS

### DRIVER'S SEAT HEATER CONTROL UNIT

CODE	IN / OUT	CIRCUIT	ACTIVE	INACTIVE
DS7-1	INPUT	POWER GROUND	GROUND	GROUND
DS7-2	INPUT	IGNITION SWITCHED POWER	12V	0V
DS7-3	OUTPUT	HEATER CONTROL UNIT	HEATER ON: 8V	OPEN CIRCUIT
DS7-4	INPUT	DRIVER'S SEAT HEATER "ON" BUTTON	BUTTON IN: GROUND	BUTTON OUT: 12V
SM2-1	INPUT	DRIVER'S SEAT HEATER ELEMENT GROUND	GROUND	OPEN CIRCUIT
SM2-2	OUTPUT	DRIVER'S SEAT HEATER ELEMENT	12V	GROUND
SM2-3	INPUT	SEAT HEATER THERMOSTAT INPUT (ROOM TEMP.)	HEATER ON: APPROX. 9V	KEY OFF: 0V
SM2-4	OUTPUT	SEAT HEATER THERMOSTAT REFERENCE VOLTAGE	APPROX. 12V	KEY OFF: 0V

### PASSENGER'S SEAT HEATER CONTROL UNIT

CODE	IN / OUT	CIRCUIT	ACTIVE	INACTIVE
PS7-1	INPUT	POWER GROUND	GROUND	GROUND
PS7-2	INPUT	IGNITION SWITCHED POWER	12V	0V
PS7-3	OUTPUT	HEATER CONTROL UNIT	HEATER ON: 8V	OPEN CIRCUIT
PS7-4	INPUT	PASSENGER'S SEAT HEATER "ON" BUTTON	BUTTON IN: GROUND	BUTTON OUT: 12V
SN2-1	INPUT	PASSENGER'S SEAT HEATER ELEMENT GROUND	GROUND	OPEN CIRCUIT
SN2-2	OUTPUT	PASSENGER'S SEAT HEATER ELEMENT	12V	GROUND
SN2-3	INPUT	SEAT HEATER THERMOSTAT INPUT (ROOM TEMP.)	HEATER ON: APPROX. 9V	KEY OFF: 0V
SN2-4	OUTPUT	SEAT HEATER THERMOSTAT REFERENCE VOLTAGE	APPROX. 12V	KEY OFF: 0V



□ BATTERY POWER (FIG 1)

◇ IGNITION POWER (FIG 2)

▢ FIG NUMBER REFERENCE

# FIG 18 DATA

## COMPONENTS

### DESCRIPTION

HEATED REAR WINDOW SWITCH  
HEATED REAR WINDOW TIMER

### LOCATION

LEFT OF TRIP COMPUTER  
LEFT COMPONENT PANEL

### ACCESS

SNAP IN BEZEL  
LEFT DASH UNDER PANEL

---

## CONNECTORS

### CODE

### DESCRIPTION

BN2 10-WAY SUMITOMO STD. (NATURAL)  
BN5 20-WAY SUMITOMO BLOCK (NATURAL)  
DD2 6-WAY SUMITOMO SEALED (GREEN)  
DD13 20-WAY SUMITOMO BLOCK (YELLOW)  
LB173 RELAY BASE (BLUE)  
PD2 6-WAY SUMITOMO SEALED (GREEN)  
PD15 6-WAY SUMITOMO BLOCK (GREEN)  
RH10 SPADE  
RH148 SPADE  
RH160 14-WAY SUMITOMO BLOCK (NATURAL)  
RH161 20-WAY SUMITOMO BLOCK (NATURAL)

### LOCATION / INTERFACE

BEHIND HEATED REAR WINDOW SW. / HEATED REAR WINDOW SWITCH  
BELOW RIGHT A/C OUTLET / BINNACLE HARNESS  
INNER DRIVER'S DOOR BELOW MIRROR / MIRROR HEATER  
LEFT 'A' POST / DD HARNESS  
LEFT COMPONENT PANEL / HEATED REAR WINDOW TIMER  
INNER PASSENGER'S DOOR BELOW MIRROR / MIRROR HEATER  
PASSENGER'S DOOR / BELOW MIRROR  
REAR WINDSCREEN / REAR WINDOW HEATER GRID  
CONVERTIBLE TOP LINKAGE, LEFT / OVERRIDE SWITCH  
BELOW RIGHT A/C OUTLET / REAR HARNESS  
BELOW LEFT A/C OUTLET / REAR HARNESS

---

## GROUND

### CODE

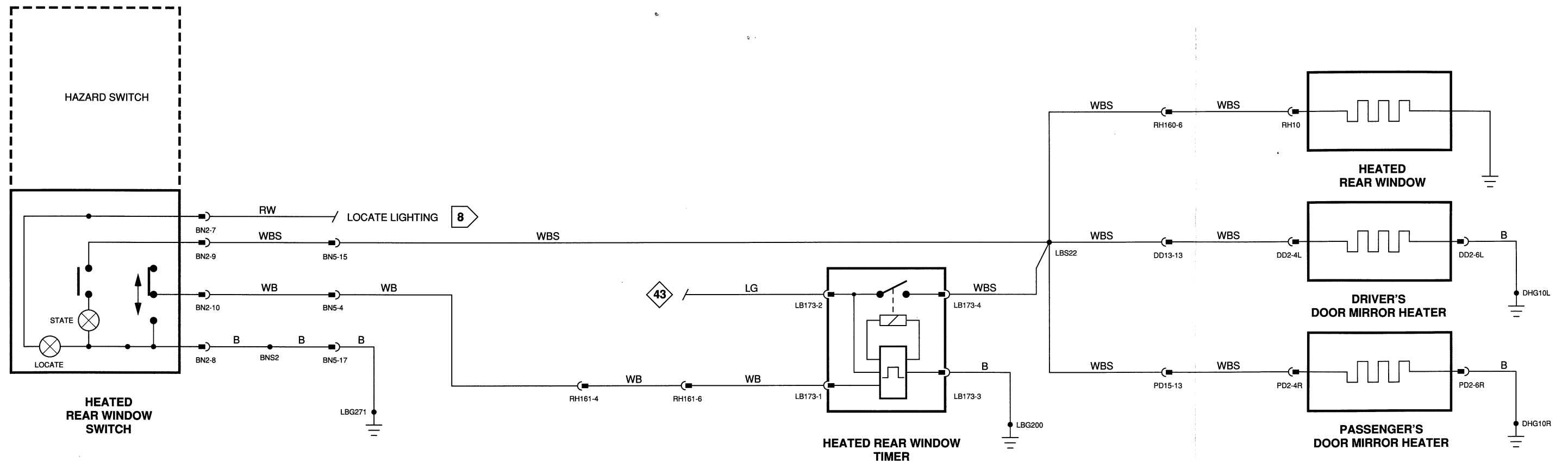
### DESCRIPTION

DHG10L EYELET  
LBG200 EYELET  
LBG271 EYELET  
PHG10R EYELET

### LOCATION / INTERFACE

LEFT DOOR BELOW MIRROR / POWER GROUND  
LEFT 'A' POST FASCIA END PANEL / POWER GROUND  
LEFT 'A' POST FASCIA END PANEL / POWER GROUND  
RIGHT DOOR BELOW MIRROR / POWER GROUND





□ BATTERY POWER (FIG 1)

◇ IGNITION POWER (FIG 2)

▢ FIG NUMBER REFERENCE

# FIG 19 DATA

## COMPONENTS

DESCRIPTION	LOCATION	ACCESS
AMBIENT TEMPERATURE SENSOR	IN FRONT OF A/C CONDENSER, RIGHT	BELOW FRONT BUMPER
WIPER SWITCH	RIGHT STEERING COLUMN	REMOVE COLUMN TRIM
WIPER LOGIC UNIT	BEHIND RIGHT COMPONENT PANEL	RIGHT DASH UNDER PANEL
WIPER MOTOR UNIT	FRONT PLENUM	REMOVE COWL
WASHER PUMPS	RIGHT FRONT FENDER	INNER FENDER TRIM

## CONNECTORS

CODE	DESCRIPTION	LOCATION / INTERFACE
CS1	24-WAY SUMITOMO BLOCK (NATURAL)	ADJACENT TO STEERING COLUMN / BULKHEAD HARNESS
CS4	4-WAY SUMITOMO STD. (RED)	STEERING COLUMN ABOVE IGNITION SWITCH / WIPER SWITCH
CS13	SPADE	STEERING COLUMN ABOVE IGNITION SWITCH / WIPER SWITCH
CS14	SPADE	STEERING COLUMN ABOVE IGNITION SWITCH / WIPER SWITCH
CS15	SPADE	STEERING COLUMN ABOVE IGNITION SWITCH / WIPER SWITCH
CS16	SPADE	STEERING COLUMN ABOVE IGNITION SWITCH / WIPER SWITCH
CS17	SPADE	STEERING COLUMN ABOVE IGNITION SWITCH / WIPER SWITCH
LB148	16-WAY SUMITOMO BLOCK (NATURAL)	BEHIND RIGHT COMPONENT PANEL / WIPER LOGIC UNIT
LB149	THREADED 12-WAY AMP	BELOW WIPER PLENUM / WIPER MOTOR
LF1	18-WAY SUMITOMO BLOCK (BLACK)	LEFT 'A' POST / LEFT FRONT HARNESS
LF2	14-WAY SUMITOMO BLOCK	LEFT 'A' POST / LF HARNESS
LF17	3-WAY PM 5 (BROWN)	FRONT OF A/C CONDENSER, CENTER / AMBIENT TEMP. SENSOR
LF21	4-WAY SUMITOMO SEALED (GREEN)	ADJACENT TO RADIATOR TOP HOSE / WASHER PUMPS
LF27	3-WAY PM 5 (PURPLE)	RIGHT HEADLIGHT / HEADLIGHT WASHER HEATER
LF32	3-WAY PM 5 (YELLOW)	LEFT HEADLIGHT / HEADLIGHT WASHER HEATER

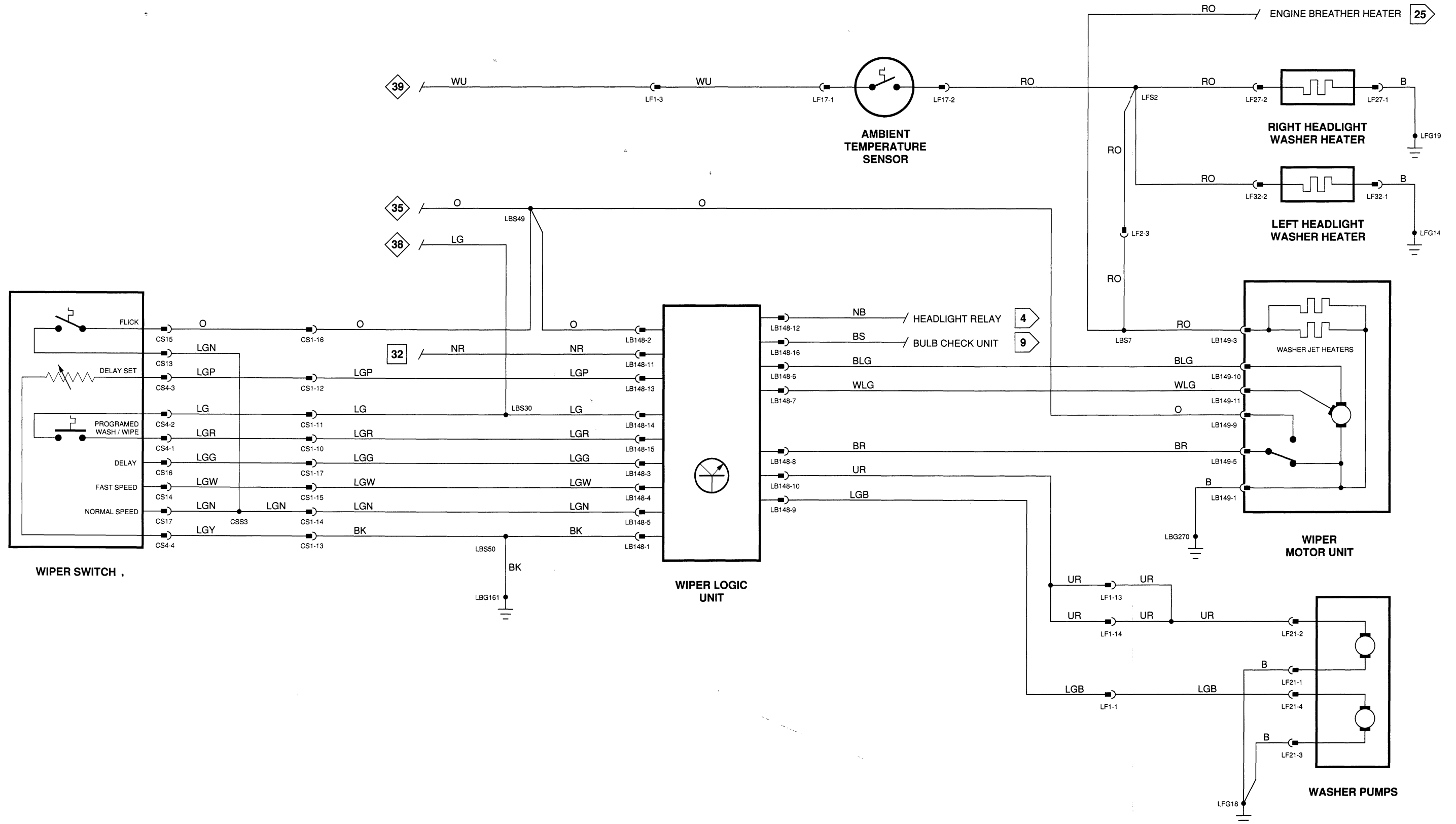
## GROUND

CODE	DESCRIPTION	LOCATION / INTERFACE
LBG161	EYELET	LEFT TRANSMISSION TUNNEL BY A/C SUPPORT / LOGIC GROUND
LBG270	EYELET	RIGHT 'A' POST FASCIA END POST / POWER GROUND
LFG14	EYELET	TOP LEFT RADIATOR SUPPORT MOUNT / POWER GROUND
LFG18	EYELET	TOP RIGHT RADIATOR SUPPORT MOUNT / POWER GROUND
LFG19	EYELET	TOP RIGHT RADIATOR SUPPORT MOUNT / POWER GROUND

## INPUTS / OUTPUTS

### WIPER LOGIC UNIT

CODE	IN / OUT	CIRCUIT	ACTIVE	INACTIVE
LB148-1	INPUT	LOGIC GROUND	GROUND	GROUND
LB148-2	INPUT	IGNITION SWITCHED POWER	12V	0V
LB148-3	INPUT	WINDSHIELD WIPER DELAY	12V	0V
LB148-4	INPUT	WINDSHIELD WIPER FAST SPEED	12V	0V
LB148-5	INPUT	WINDSHIELD WIPER NORMAL SPEED	12V	0V
LB148-6	OUTPUT	WINDSHIELD WIPER MOTOR NORMAL	12V	0V
LB148-7	OUTPUT	WINDSHIELD WIPER MOTOR FAST	12V	0V
LB148-8	INPUT	WINDSHIELD WIPER PARK	GROUND	12V
LB148-9	OUTPUT	WINDSHIELD WASHER PUMP	12V	OPEN CIRCUIT
LB148-10	OUTPUT	HEADLIGHT WASHER PUMP	12V	OPEN CIRCUIT
LB148-11	INPUT	BATTERY POWER	12V	12V
LB148-12	INPUT	HEADLIGHT RELAY	GROUND	12V
LB148-13	INPUT	DELAY SET	MIN. DELAY: 0.2V	MAX. DELAY: 10.5V
LB148-14	INPUT	IGNITION SWITCHED POWER	12V	0V
LB148-15	INPUT	WINDSHIELD PROGRAM WIPE	12V	OPEN CIRCUIT
LB148-16	INPUT	BULB CHECK UNIT	12V	12V



# FIG 20 DATA

## COMPONENTS

DESCRIPTION	LOCATION	ACCESS
ABS ECU	LEFT REAR TRUNK WHEEL ARCH	TRUNK TRIM
ABS MAIN VALVE	FRONT OF BRAKE ACTUATOR UNIT	ENGINE COMPARTMENT,
ABS PUMP	RIGHT FRONT BULKHEAD	ENGINE COMPARTMENT
ABS RESERVOIR	TOP OF BRAKE ACTUATOR UNIT	ENGINE COMPARTMENT,
ABS VALVE BLOCK	SIDE OF BRAKE ACTUATOR UNIT	ENGINE COMPARTMENT,
COMBINED PRESSURE SWITCH	BRAKE PUMP UNIT	ENGINE COMPARTMENT
DIAGNOSTIC CONNECTOR	LEFT REAR TRUNK WHEEL ARCH	TRUNK TRIM
DIODE — ABD2	BEHIND ABS MOTOR PUMP UNIT	ENGINE COMPARTMENT, RIGHT BULKHEAD
DIODE — ABRD(A)	6 IN. BELOW ABS ECU	LEFT TRUNK TRIM
DIODE — LBD6	RIGHT COMPONENT PANEL 6 IN. FROM PUMP RELAY	RIGHT DASH UNDER PANEL
RELAY — ABS MAIN (AB16)	LEFT REAR TRUNK WHEEL ARCH	TRUNK TRIM
RELAY — ABS PUMP (LB144)	RIGHT COMPONENT PANEL	RIGHT DASH UNDER PANEL
WHEEL SPEED SENSORS	EACH WHEEL ASSEMBLY	BENEATH VEHICLE

NOTE: COMPONENT IDENTIFICATIONS WITH [A] OR [B] RATHER THAN A NUMBER INDICATE COMPONENTS WITHOUT JDS DATA BASE IDENTIFICATION. THESE IDENTIFICATIONS ARE PENDING.

## CONNECTORS

CODE	DESCRIPTION	LOCATION / INTERFACE
AB1	35-WAY ECU CONNECTOR (BLACK)	TRUNK, LEFT WHEEL ARCH / ABS ECU
AB2	3-WAY ECONOSEAL (RED)	TRUNK, LEFT WHEEL ARCH / ABS DIAGNOSTIC SOCKET
AB4	3-WAY ECONOSEAL (BLACK)	BELOW REAR SEAT RH SIDE (LUGGAGE LOCKER, CONV.) / RIGHT REAR WHEEL SENSOR
AB5	3-WAY ECONOSEAL (BLACK)	BELOW REAR SEAT LH SIDE (LUGGAGE LOCKER, CONV.) / LEFT REAR WHEEL SENSOR
AB6	3-WAY ECONOSEAL (BLACK)	LEFT FRONT INNER FENDER / LEFT FRONT WHEEL SENSOR
AB7	5-WAY SPADE (BLACK)	LEFT FRONT BULKHEAD / RESERVOIR
AB8	7-WAY SPADE (BLACK)	LEFT FRONT BULKHEAD / ABS VALVE BLOCK
AB9	2-WAY BOSCH (BLACK)	LEFT FRONT BULKHEAD / ABS MAIN VALVE
AB11	3-WAY ECONOSEAL (BLACK)	RIGHT FRONT INNER FENDER / RIGHT FRONT WHEEL SENSOR
AB14	2-WAY SPADE (BLACK)	RIGHT FRONT BULKHEAD / ABS PUMP
AB15	5-WAY SPADE (BLUE)	RIGHT FRONT BULKHEAD / COMBINED PRESSURE SWITCH
AB16	RELAY BASE (BLACK)	LEFT REAR WHEEL ARCH / ABS MAIN RELAY
AB17	3-WAY AMP POWER BLOCK	BELOW LEFT A/C OUTLET / ABS PUMP AND ECU SUPPLY
AB18	8-WAY SUMITOMO STD. (RED)	BELOW LEFT A/C OUTLET / ABS HARNESS
LB144	RELAY BASE (YELLOW)	RIGHT COMPONENT PANEL / ABS PUMP RELAY
RH161	20-WAY SUMITOMO BLOCK (NATURAL)	BELOW LEFT A/C OUTLET / REAR HARNESS

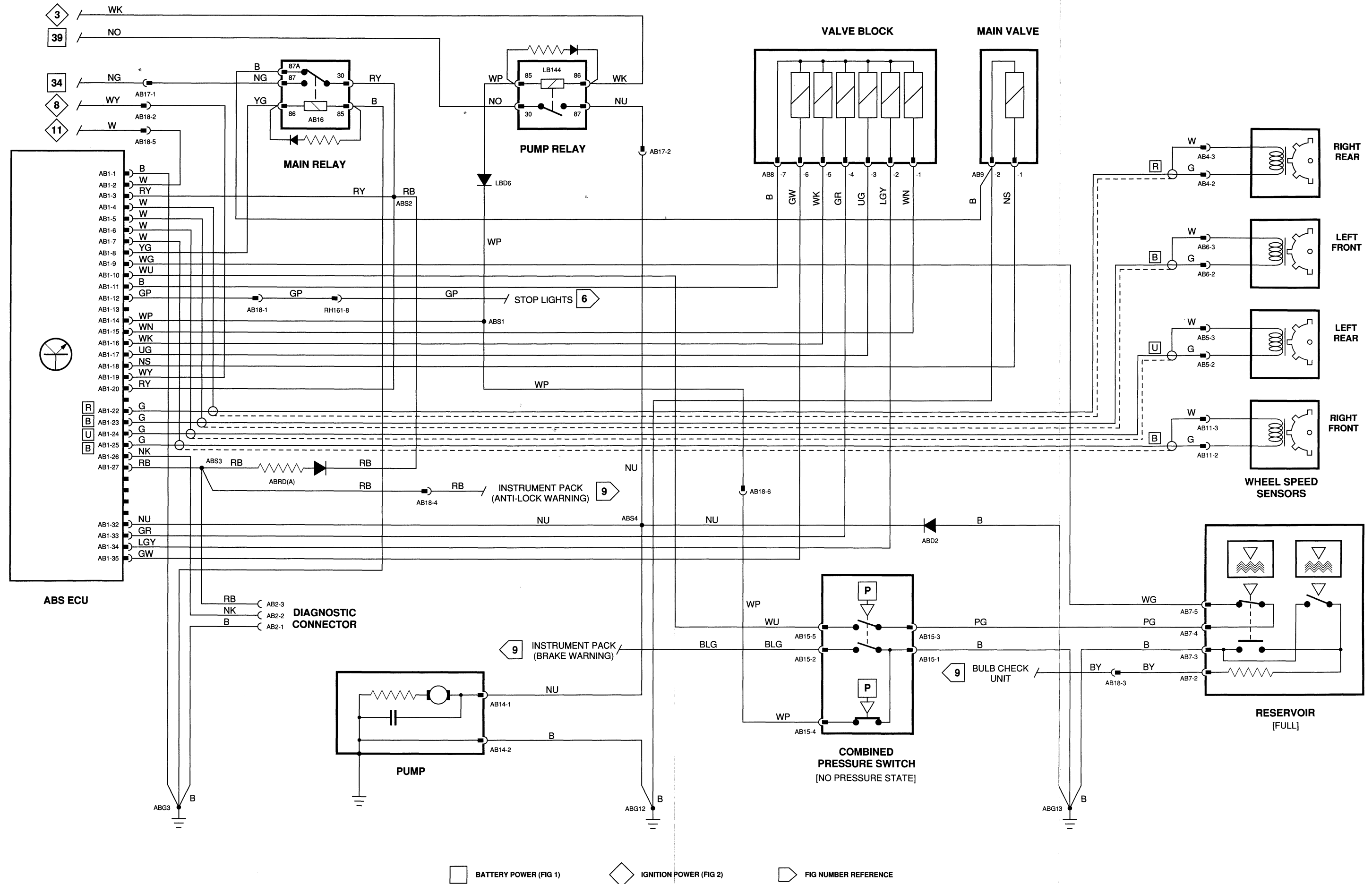
## GROUND

CODE	DESCRIPTION	LOCATION / INTERFACE
ABG3	EYELET	BEHIND LEFT REAR WHEEL ARCH / POWER GROUND
ABG12	EYELET	FRONT BULKHEAD BEHIND BRAKE FLUID RES. / POWER GROUND
ABG13	EYELET	FRONT OF BRAKE ACTUATOR UNIT / POWER GROUND

## INPUTS / OUTPUTS

### ABS ECU

CODE	IN / OUT	CIRCUIT	ACTIVE	INACTIVE
AB1-1	INPUT	POWER GROUND	GROUND	GROUND
AB1-2	INPUT	IGNITION SWITCHED POWER	12V	0V
AB1-3	INPUT	ABS ECU RELAY	12V	0V
AB1-4	OUTPUT	RR WHEEL SPEED SENSOR SCREEN	GROUND	GROUND
AB1-5	OUTPUT	LF WHEEL SPEED SENSOR SCREEN	GROUND	GROUND
AB1-6	OUTPUT	LR WHEEL SPEED SENSOR SCREEN	GROUND	GROUND
AB1-7	OUTPUT	RF WHEEL SPEED SENSOR SCREEN	GROUND	GROUND
AB1-8	INPUT	ABS ECU MAIN RELAY	GROUND	12V
AB1-9	OUTPUT	FLUID RESERVOIR FULL SWITCH	5V	0V
AB1-10	INPUT	MPU COMBINED PRESSURE SWITCH	5V	0V
AB1-11	INPUT	ABS ACTUATOR VALVE BLOCK	GROUND	GROUND
AB1-12	INPUT	STOP LIGHT RELAY	GROUND	12V
AB1-13	NOT USED			
AB1-14	INPUT	ABS MOTOR PUMP UNIT RELAY	GROUND	12V
AB1-15	OUTPUT	INLET VALVE, RIGHT FRONT	12V	0V
AB1-16	OUTPUT	OUTLET VALVE, LEFT FRONT	12V	0V
AB1-17	OUTPUT	INLET VALVE, REAR	12V	0V
AB1-18	OUTPUT	ABS MAIN VALVE	12V	0V
AB1-19	INPUT	IGNITION SWITCHED POWER	12V	0V
AB1-20	INPUT	ABS ECU MAIN RELAY	12V	GROUND
AB1-22	INPUT	RR WHEEL SPEED SENSOR	PULSED AC VOLTAGE	0V
AB1-23	INPUT	LF WHEEL SPEED SENSOR	PULSED AC VOLTAGE	0V
AB1-24	INPUT	LR WHEEL SPEED SENSOR	PULSED AC VOLTAGE	0V
AB1-25	INPUT	RF WHEEL SPEED SENSOR	PULSED AC VOLTAGE	0V
AB1-26	OUTPUT	DIAGNOSTIC SOCKET	—	—
AB1-27	OUTPUT	DIAGNOSTIC SOCKET	—	—
AB1-32	INPUT	MOTOR PUMP UNIT	12V	0V
AB1-33	OUTPUT	OUTLET VALVE, REAR	12V	0V
AB1-34	OUTPUT	OUTLET VALVE, RIGHT FRONT	12V	0V
AB1-35	OUTPUT	INLET VALVE, LEFT FRONT	12V	0V



# FIG 21 DATA

## COMPONENTS

DESCRIPTION	LOCATION	ACCESS
BRAKE SWITCH	ABOVE BRAKE PEDAL	LEFT DASH UNDER PANEL
CLUTCH SWITCH (M5 ONLY)	BRAKE PEDAL	LEFT UNDER DASH
CONTROL VALVE	LEFT FRONT INNER FENDER	ENGINE COMPARTMENT
CRUISE CONTROL ECU	FRONT OF PASSENGER'S SEAT	FOOTWELL COVER
DIODE — LFD4	BELOW LEFT FRONT COMPONENT PANEL	ENGINE COMPARTMENT
DUMP VALVE	LEFT FRONT INNER FENDER	ENGINE COMPARTMENT
GEAR SELECTOR SWITCH (A4 ONLY)	GEAR SHIFT LINKAGE	CENTER CONSOLE
CRUISE CONTROL MASTER SWITCH	CENTER CONSOLE	REMOVE TRIM
CRUISE CONTROL RESUME SWITCH	LIGHTING AND TURN SIGNAL SWITCH	STEERING COLUMN TRIM
SPEED INTERFACE UNIT	TRUNK BEHIND LEFT GAS STRUT SUPPORT	TRUNK TRIM
SPEED SENSOR	DIFFERENTIAL COVER	BENEATH VEHICLE
STOP LIGHT SWITCH	BRAKE PEDAL	LEFT UNDER DASH

## CONNECTORS

CODE	DESCRIPTION	LOCATION / INTERFACE
CC1	6-WAY S/T SOCKET (WHITE)	CENTER CONSOLE / CRUISE CONTROL MASTER SWITCH
CC2	20-WAY AMP PCB POWER (BLACK)	FRONT OF PASSENGER'S SEAT / CRUISE CONTROL ECU
CC3	8-WAY SUMITOMO STD. (NATURAL)	BELOW RIGHT A/C OUTLET / BULKHEAD HARNESS
CC4	6-WAY SUMITOMO STD. (NATURAL)	BELOW LEFT A/C OUTLET / BULKHEAD HARNESS
CS1	24-WAY SUMITOMO BLOCK (NATURAL)	ADJACENT TO STEERING COLUMN / COLUMN SWITCH GEAR HARNESS
CS2	6-WAY SUMITOMO STD. (NATURAL)	ABOVE TURN SIGNAL SWITCH / RESUME SWITCH
GH1	SPADE	GEAR SELECTOR LINKAGE / GEAR SELECTOR SWITCH
GH2	SPADE	GEAR SELECTOR LINKAGE / GEAR SELECTOR SWITCH
GH9	6-WAY SUMITOMO STD. (NATURAL)	BELOW RIGHT A/C OUTLET / GEAR SELECTOR SWITCH
LB167	4-WAY SUMITOMO STD. (RED)	BRAKE PEDAL / STOP LIGHT SWITCH
LF2	14-WAY SUMITOMO BLOCK (BLUE)	LEFT 'A' POST / LF HARNESS
LF13	3-WAY PM 5 (BLACK)	LEFT FRONT INNER FENDER / DUMP VALVE
LF16	3-WAY AMP SOCKET (BLACK)	LEFT FRONT INNER FENDER / CONTROL VALVE
LF40	.250 BLADE (WHITE)	ENGINE COMPARTMENT, BEHIND BRAKE FLUID RESERVOIR / CLUTCH SWITCH
LF41	.250 BLADE (WHITE)	ENGINE COMPARTMENT, BEHIND BRAKE FLUID RESERVOIR / CLUTCH SWITCH
RH114	4-WAY PM HD (BLACK)	BEHIND LEFT TRUNK LID GAS STRUT SUPPORT / SPEED INTERFACE
RH160	14-WAY SUMITOMO BLOCK (NATURAL)	BELOW LEFT A/C OUTLET / BULKHEAD HARNESS

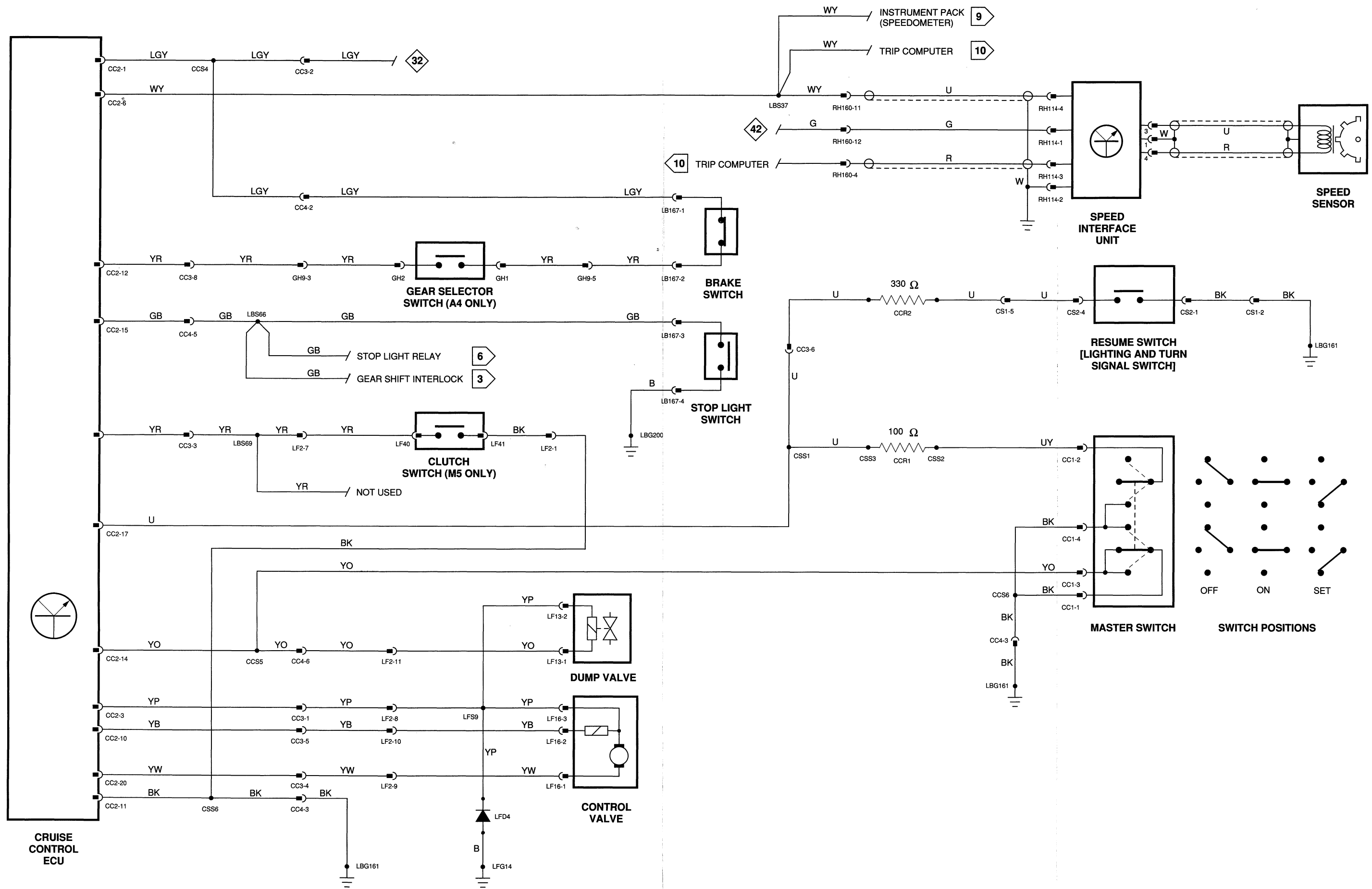
## GROUND

CODE	DESCRIPTION	LOCATION / INTERFACE
LBG161	EYELET	LEFT OF TRANSMISSION TUNNEL BY A/C SUPPORT / LOGIC GROUND
LBG200	EYELET	LEFT 'A' POST FASCIA END PANEL / POWER GROUND
LFG14	EYELET	TOP LEFT RADIATOR SUPPORT MOUNT / POWER GROUND

## INPUTS / OUTPUTS

### CRUISE CONTROL ECU

CODE	IN / OUT	CIRCUIT	ACTIVE	INACTIVE
CC2-1	INPUT	IGNITION SWITCHED POWER	12V	0V
CC2-3	OUTPUT	CRUISE VACUUM CONTROL PUMP	PUMP ON: 12V	PUMP OFF: 0V
CC2-6	INPUT	ROAD SPEED INPUT	AC VOLTS INCREASE W/ROAD SPEED	LESS THAN 1V
CC2-10	OUTPUT	CRUISE VACUUM DUTY CYCLE VALVE	SYSTEM ON: GROUND	SYSTEM OFF: 12V
CC2-11	INPUT	POWER GROUND	GROUND	GROUND
CC2-12	INPUT	BRAKE/GEAR SELECT SWITCH	"D", "2", "1": 12V	"P", "R", "N": 0V
CC2-14	OUTPUT	CRUISE DUMP VALVE	VALVE CLOSED: APPROX. 0.5V	VALVE OPEN: 12V
CC2-15	INPUT	STOP LIGHT SWITCH	BRAKE ON: GROUND	12V
CC2-17	INPUT	CRUISE "SET", "RESUME"	"SET" PRESSED: 100Ω, "RESUME" PRESSED: 300Ω	OPEN CIRCUIT
CC2-20	INPUT	CRUISE VACUUM CONTROL PUMP	GROUND	OPEN CIRCUIT



BATTERY POWER (FIG 1)
  IGNITION POWER (FIG 2)
  FIG NUMBER REFERENCE

# FIG 22 DATA

## COMPONENTS

### DESCRIPTION

ANTENNA  
CD AUTO CHANGER  
CD HEAD UNIT  
FUSE PANEL — LEFT  
RADIO  
RELAY — ANTENNA DELAY (RH143)  
RELAY — SEAT HEATER (LB283)

### LOCATION

RIGHT REAR TRUNK  
TRUNK  
CENTER CONSOLE  
LEFT COMPONENT PANEL  
CENTER CONSOLE  
RIGHT REAR TRUNK  
RIGHT COMPONENT PANEL

### ACCESS

RIGHT TRUNK TRIM  
LEFT TRUNK TRIM  
  
LEFT DASH UNDER PANEL  
REMOVE TRIM  
RIGHT TRUNK TRIM  
RIGHT DASH UNDER PANEL

## CONNECTORS

### CODE

### DESCRIPTION

### LOCATION / INTERFACE

DD8	SPADE	DRIVER'S DOOR / LEFT FRONT SPEAKER
DD9	SPADE	DRIVER'S DOOR / LEFT FRONT SPEAKER
DD13	20-WAY SUMITOMO BLOCK (YELLOW)	LEFT 'A' POST / DD HARNESS
LB160	13-WAY MULTILOCK (NATURAL)	BEHIND RADIO / RADIO
LB263	FUSE PANEL	DRIVER'S FOOTWELL / LEFT FUSE PANEL
PD8	SPADE	PASSENGER'S DOOR / RIGHT FRONT SPEAKER
PD9	SPADE	PASSENGER'S DOOR / RIGHT FRONT SPEAKER
PD13	20-WAY SUMITOMO BLOCK (YELLOW)	RIGHT 'A' POST / PD HARNESS
RH107	BULLET — COUPE; PM 5 (GREEN) — CONV.	LEFT REAR SEAT TRIM / LEFT REAR SPEAKER
RH108	BULLET — COUPE; PM 5 (GREEN) — CONV.	LEFT REAR SEAT TRIM / LEFT REAR SPEAKER
RH131	BULLET — COUPE; PM 5 (GREEN) — CONV.	RIGHT REAR SEAT TRIM / RIGHT REAR SPEAKER
RH132	BULLET — COUPE; PM 5 (GREEN) — CONV.	RIGHT REAR SEAT TRIM / RIGHT REAR SPEAKER
RH142	23-WAY PM 5 (BLACK)	RIGHT REAR TRUNK / ANTENNA MOTOR
RH143	RELAY BASE (BLACK)	RIGHT REAR TRUNK / ANTENNA DELAY RELAY
RH160	14-WAY SUMITOMO BLOCK (NATURAL)	BELOW RIGHT A/C OUTLET / REAR HARNESS

## GROUNDS

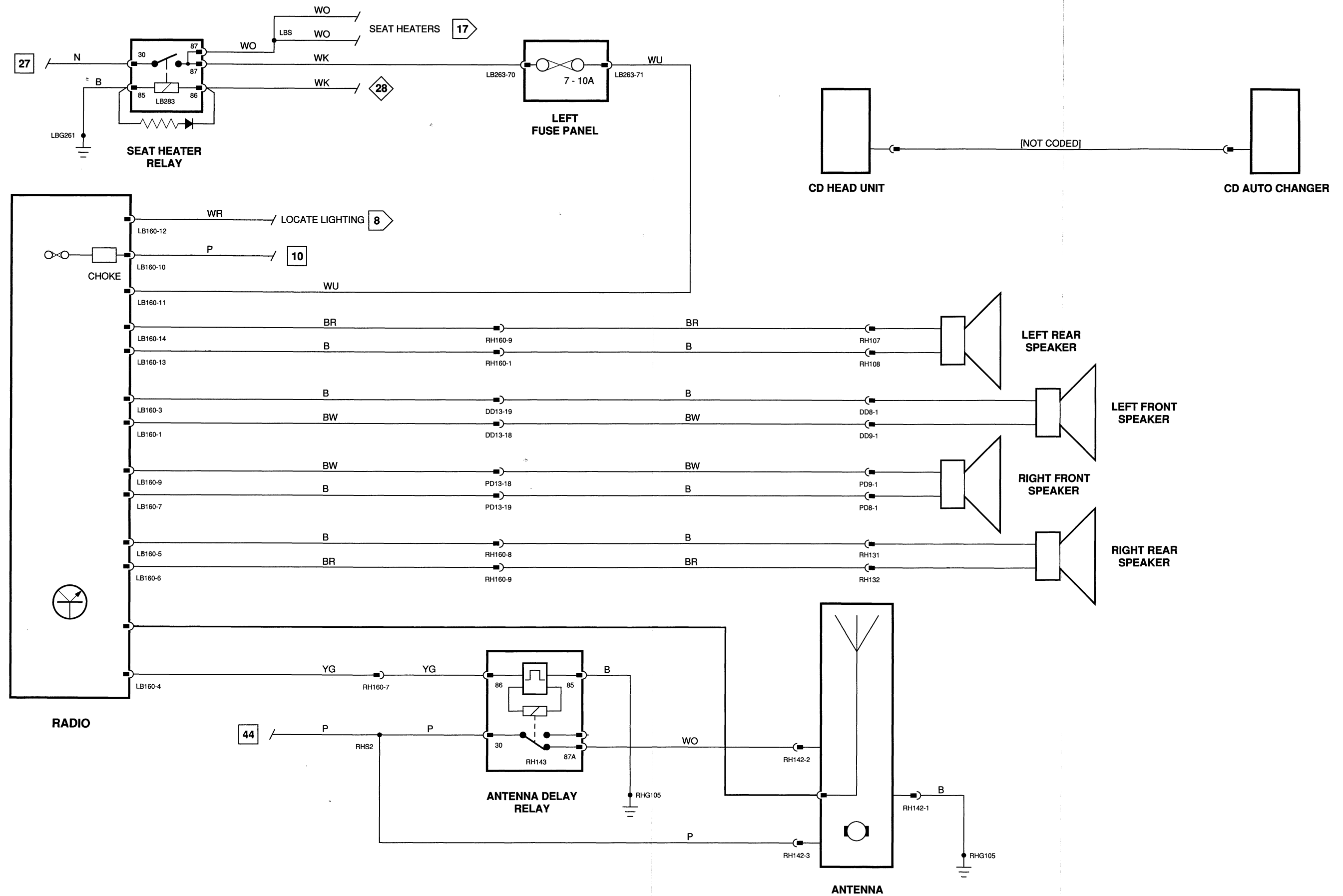
### CODE

### DESCRIPTION

### LOCATION / INTERFACE

LBG261	EYELET	RIGHT 'A' POST FASCIA END PANEL / POWER GROUND
RHG105	EYELET	RIGHT REAR TAIL LIGHT BRACKET / POWER GROUND





□ BATTERY POWER (FIG 1)

◇ IGNITION POWER (FIG 2)

▢ FIG NUMBER REFERENCE

# FIG 23 DATA

## COMPONENTS

DESCRIPTION	LOCATION	ACCESS
BLOWER — LEFT	LEFT BULKHEAD	LEFT UNDER DASH
BLOWER — RIGHT	RIGHT BULKHEAD	RIGHT UNDER DASH
CENTER VENT VACUUM SOLENOID	BENEATH A/C UNIT	RIGHT UNDER DASH
CLIMATE CONTROL ECU	A/C UNIT, RIGHT	RIGHT UNDER DASH
COOLANT TEMPERATURE SWITCH	LEFT HOT WATER PIPE	LEFT UNDER DASH
COOLANT VALVE VACUUM SOLENOID	BENEATH A/C UNIT	LEFT UNDER DASH
DEFROST VACUUM SOLENOID	BENEATH A/C UNIT	RIGHT UNDER DASH
EVAPORATOR TEMPERATURE SENSOR	A/C UNIT, RIGHT SIDE	RIGHT UNDER DASH
FEEDBACK POTENTIOMETER — LOWER	A/C UNIT, LEFT	LEFT UNDER DASH
FEEDBACK POTENTIOMETER — UPPER	A/C UNIT, LEFT	RIGHT UNDER DASH
IN-CAR TEMPERATURE SENSOR	RIGHT DASH UNDER PANEL	INSTRUMENT PACK
MODE CONTROL SWITCH	CONTROL PANEL FAN SWITCH	RIGHT UNDER DASH
RECIRCULATION VACUUM SOLENOID	BENEATH A/C UNIT	TRIM
SERVO — LOWER	A/C UNIT, RIGHT	LEFT UNDER DASH
SERVO — UPPER	A/C UNIT, RIGHT	RIGHT UNDER DASH
TEMPERATURE DEMAND POTENTIOMETER	CONTROL PANEL	REMOVE GLOVEBOX
TEMPERATURE DIFFERENTIAL POTENTIOMETER	CONTROL PANEL	TRIM

## CONNECTORS

CODE	DESCRIPTION	LOCATION / INTERFACE	CODE	DESCRIPTION	LOCATION / INTERFACE
LB150	6-WAY SUMITOMO. STD. (NAT)	RIGHT DASH UNDER PANEL / BULKHEAD HARNESS	SAC13	3-WAY JST (BLACK)	A/C UNIT, LEFT / UPPER SERVO MOTOR
LB190	2-WAY PM 5	LEFT BLOWER MOTOR / BLOWER MOTOR POWER FEED	SAC15	SPADE	A/C UNIT, LEFT / COOLANT TEMPERATURE SWITCH
LB213	2-WAY PM 5	RIGHT BLOWER MOTOR / BLOWER MOTOR POWER FEED	SAC16	SPADE	BENEATH A/C UNIT / RECIRCULATION SOLENOID
RF1	18-WAY SUMIT. BLOCK (BLK.)	RIGHT 'A' POST / BULKHEAD HARNESS	SAC17	SPADE	BENEATH A/C UNIT / RECIRCULATION SOLENOID
SAC2	15-WAY JST (WHITE)	TOP CONNECTOR ON ECU / CLIMATE CONTROL ECU	SAC18	SPADE	BENEATH A/C UNIT / COOLANT VALVE VACUUM SOLENOID
SAC3	15-WAY JST (WHITE)	CENTER CONNECTOR ON ECU / CLIMATE CONTROL ECU	SAC19	SPADE	BENEATH A/C UNIT / COOLANT VALVE VACUUM SOLENOID
SAC4	15-WAY JST (WHITE)	BOTTOM CONNECTOR ON ECU / CLIMATE CONTROL ECU	SAC21	SPADE	BENEATH A/C UNIT / CENTER VENT SOLENOID
SAC5	4-WAY JST (BLACK)	ABOVE LEFT BLOWER MOTOR / LEFT BLOWER MOTOR	SAC22	SPADE	BENEATH A/C UNIT / CENTER VENT SOLENOID
SAC6	7-WAY JST (BLACK)	ABOVE RIGHT BLOWER MOTOR / RIGHT BLOWER MOTOR	SAC23	SPADE	BENEATH A/C UNIT / DEFROST SOLENOID
SAC9	3-WAY JST (BLACK)	A/C UNIT, RIGHT / EVAPORATOR TEMPERATURE SENSOR	SAC24	SPADE	BENEATH A/C UNIT / DEFROST SOLENOID
SAC10	3-WAY JST (BLACK)	A/C UNIT, LEFT / UPPER FEEDBACK POT.	SAC26	3-WAY JST (BLACK)	BEHIND TEMP. DIFF. CONTROL / TEMP. DIFFERENTIAL POT.
SAC11	3-WAY JST (BLACK)	A/C UNIT, LEFT / LOWER FEEDBACK POT.	SAC28	5-WAY JST (BLACK)	A/C UNIT, LEFT / TEMPERATURE DEMAND POT.
SAC12	3-WAY JST (BLACK)	A/C UNIT, LEFT / LOWER SERVO MOTOR	SAC29	8-WAY JST (BLACK)	A/C UNIT, RIGHT / MODE CONTROL SWITCH
SAC14	SPADE	A/C UNIT, LEFT / COOLANT TEMPERATURE SWITCH	SAC30	6-WAY SUMITOMO STD. (NAT.)	RIGHT DASH UNDER PANEL / IN CAR TEMP. SENSOR

## GROUNDS

CODE	DESCRIPTION	LOCATION / INTERFACE
LBG201	EYELET	LEFT 'A' POST FASCIA END PANEL / POWER GROUND
LBG270	EYELET	RIGHT 'A' POST FASCIA END PANEL / POWER GROUND
LBG271	EYELET	LEFT 'A' POST FASCIA END PANEL / POWER GROUND

## INPUTS / OUTPUTS

### CLIMATE CONTROL ECU

CODE	IN / OUT	CIRCUIT	ACTIVE	INACTIVE
SAC2-1	INPUT	IGNITION SWITCHED POWER	12V	0V
SAC2-2	INPUT	POWER GROUND	GROUND	GROUND
SAC2-3	OUTPUT	RECIRCULATION VACUUM SOLENOID	12V	0V
SAC2-4	INPUT	IN-CAR TEMP. SENSOR	SYSTEM ON: 2.73V @0°C	SYSTEM OFF: 0V
SAC2-5	INPUT	EVAPORATOR TEMP. SENSOR	SYSTEM ON: 2.73V @0°C	SYSTEM OFF: 0V
SAC2-6	INPUT	POWER GROUND	GROUND	GROUND
SAC2-7	NOT USED			
SAC2-8	NOT USED			
SAC2-9	INPUT	MODE CONTROL SWITCH	GROUND	4V
SAC2-10	INPUT	IN-CAR TEMP. SENSOR GROUND	GROUND	GROUND
SAC2-11	INPUT	DEFROST VACUUM SOLENOID	12V	GROUND
SAC2-12	OUTPUT	DEFROST SOLENOID / MODE SWITCH	12V	12V
SAC2-13	INPUT	MODE SWITCH — LOW	GROUND	4V
SAC2-14	INPUT	MODE SWITCH — MED.	GROUND	4V
SAC2-15	INPUT	MODE SWITCH — HIGH	GROUND	4V
SAC3-1	OUTPUT	HIGH SPEED BLOWER MOTOR RELAYS	10V	0V
SAC3-2	OUTPUT	COOLANT VALVE VACUUM SOLENOID	CLOSED: 12V	OPEN: 0V
SAC3-3	OUTPUT	CENTER VENT VACUUM SOLENOID	OPEN: 12V	CLOSED: 0V
SAC3-4	INPUT	MANUAL MODE SWITCH	ON: GROUND	OFF: 4V
SAC3-5	OUTPUT	COMPRESSOR CLUTCH RELAY	12V	0V
SAC3-6	INPUT	COOLANT TEMP. SWITCH	ABOVE 40°C: 5V	BELOW 40°C: 0V
SAC3-7	INPUT	LEFT BLOWER MOTOR FEEDBACK	LOW: 5V, MED: 2V, HIGH: 1V	
SAC3-8	NOT USED			
SAC3-9	INPUT	POWER GROUND	GROUND	GROUND
SAC3-10	NOT USED			
SAC3-11	NOT USED			
SAC3-12	INPUT	MODE SWITCH — DEFROST	GROUND	4V
SAC3-13	INPUT	TEMPERATURE DIFFERENTIAL POTENTIOMETER	COOL: 2.885V	WARM: 0V
SAC3-14	INPUT	LOWER FEEDBACK POTENTIOMETER	FULL COOL: 0.1V, FULL HOT: 1.2V, DEFROST: 2.9V	
SAC3-15	INPUT	UPPER FEEDBACK POTENTIOMETER	FULL COOL: 0.2V, FULL HOT: 1.9V, DEFROST: 1.9V	
SAC4-1	OUTPUT	LEFT BLOWER MOTOR POWER TRANSISTOR	LOW: 1-2V, NORM: INCREASE, HIGH: APPROX. 1V	
SAC4-2	OUTPUT	RIGHT BLOWER MOTOR POWER TRANSISTOR	LOW: 1-2V, NORMAL: INCREASE, HIGH: APPROX. 1V	
SAC4-3	INPUT	RIGHT BLOWER MOTOR FEEDBACK	LOW: 5V, MED: 2V, HIGH: 1V	
SAC4-4	INPUT	AMBIENT TEMP. SENSOR	SYSTEM ON: 2.93V @0°C	SYSTEM OFF: 0V
SAC4-5	INPUT	TEMPERATURE DEMAND POTENTIOMETER	FULL COOL: 0V	FULL HOT: 2.885V
SAC4-6	NOT USED			
SAC4-7	OUTPUT	LOWER SERVO	DRIVE: 7V	NO DRIVE: 0V
SAC4-8	INPUT	POWER GROUND	GROUND	GROUND
SAC4-9	NOT USED			
SAC4-10	OUTPUT	UPPER SERVO	DRIVE: 7V	NO DRIVE: 0V
SAC4-11	OUTPUT	LOWER SERVO	DRIVE: 7V	NO DRIVE: 0V
SAC4-12	OUTPUT	UPPER SERVO	DRIVE: 7V	NO DRIVE: 0V
SAC4-13	OUTPUT	SENSOR REFERENCE VOLTAGE	5V	0V
SAC4-14	INPUT	MODE CONTROL SWITCH	SWITCH ON: 12V	SWITCH OFF: 0V
SAC4-15	INPUT	POWER GROUND	GROUND	GROUND



# FIG 24 DATA

## COMPONENTS

DESCRIPTION	LOCATION	ACCESS
AIR CONDITIONING COMPRESSOR	RIGHT FRONT OF ENGINE	ENGINE COMPARTMENT
COOLING FAN	BEHIND RADIATOR, RIGHT	ENGINE COMPARTMENT
FAN RUN-ON DIODE UNIT	LEFT FRONT COMPONENT PANEL	ENGINE COMPARTMENT
RADIATOR THERMAL SWITCH	WATER PUMP INLET	ENGINE, LEFT FRONT
RELAY — COMPRESSOR CLUTCH (RF3)	RIGHT FRONT COMPONENT PANEL	ENGINE COMPARTMENT
RELAY — COOLING FAN (LF11)	LEFT FRONT COMPONENT PANEL	ENGINE COMPARTMENT

## CONNECTORS

CODE	DESCRIPTION	LOCATION / INTERFACE
LF2	14-WAY SUMITOMO BLOCK (BLUE)	LEFT 'A' POST / LF HARNESS
LF8	RELAY BASE (NATURAL)	LEFT FRONT COMPONENT PANEL / FAN RUN-ON DIODE UNIT
LF11	RELAY BASE (BLUE)	LEFT FRONT COMPONENT PANEL / COOLING FAN RELAY
LF34	SPADE (WHITE)	WATER PUMP INLET / RADIATOR THERMAL SWITCH
LF35	SPADE (WHITE)	WATER PUMP INLET / RADIATOR THERMAL SWITCH
LF39	BULLET	RADIATOR FAN SHRULD, LEFT / COOLING FAN
LI124	PM 5 (GREEN)	BENEATH DISTRIBUTOR / COMPRESSOR CLUTCH
LI125	.250 BLADE (WHITE)	ON A/C COMPRESSOR HEAD / HIGH SIDE LOW PRESSURE SWITCH
LI126	.250 BLADE (WHITE)	ON A/C COMPRESSOR HEAD / HIGH SIDE LOW PRESSURE SWITCH
LI134	20-WAY MULTILOCK 70 (WHITE)	RIGHT DASH UNDER PANEL / BULKHEAD TO ENGINE HARNESS
LI135	4-WAY ECONOSEAL III (BLACK)	RIGHT DASH UNDER PANEL / BULKHEAD TO ENGINE HARNESS
RF1	18-WAY SUMITOMO (BLACK)	RIGHT 'A' POST / RIGHT FRONT HARNESS
RF3	RELAY BASE (GREEN)	RIGHT FRONT COMPONENT PANEL / A/C COMPRESSOR CLUTCH RELAY

## GROUNDINGS

CODE	DESCRIPTION	LOCATION / INTERFACE
EHG11	EYELET	MOUNTING BRACKET / POWER GROUND
LFG14	EYELET	TOP LEFT RADIATOR MOUNT / POWER GROUND
LFG18	EYELET	BEHIND LEFT HEADLIGHT BY AIR FILTER / POWER GROUND
LIG107	EYELET	ABOVE #1 INTAKE RUNNER ON ENGINE / POWER GROUND



# FIG 25 DATA

## COMPONENTS

### DESCRIPTION

AIR INJECTION PUMP  
 AIR INJECTION SOLENOID VACUUM VALVE  
 AIR TEMPERATURE SENSOR  
 AMPLIFIER  
 BREATHER HEATER  
 COOLANT TEMPERATURE SENSOR  
 CRANKSHAFT SENSOR  
 EGR SOLENOID VACUUM VALVE  
 EGR TEMPERATURE SENSOR  
 ENGINE CONTROL MODULE  
 ENGINE AND TRANS. DATA LINK CONNECTOR  
 FUEL INJECTORS  
 FUEL PUMP  
 IDLE SPEED ACTUATOR  
 IGNITION COIL  
 MASS AIR FLOW METER  
 OXYGEN SENSOR  
 PURGE VALVE  
 RELAY — AIR INJECTION (LI130)  
 RELAY — BREATHER HEATER (LI131)  
 RELAY — EMS MAIN (LI95)  
 RELAY — FUEL PUMP (RH173)  
 RFI FILTER  
 THROTTLE POSITION SENSOR

### LOCATION

LEFT FRONT OF ENGINE  
 LEFT FRONT OF ENGINE, ABOVE AIR PUMP  
 AIR INTAKE ELBOW  
 RIGHT FRONT INNER FENDER  
 BEHIND AIR INTAKE ELBOW  
 THERMOSTAT HOUSING  
 ENGINE FRONT COVER  
 BETWEEN INJECTORS #5 & #6  
 BELOW THROTTLE BODY  
 PASSENGER'S FOOTWELL  
 RIGHT SIDE OF TRUNK BELOW BATTERY TRAY  
 ALONG INTAKE MANIFOLD  
 INSIDE FUEL TANK  
 BETWEEN INJECTORS #2 & #3  
 RIGHT FRONT INNER FENDER  
 ADJACENT TO AIR INLET  
 EXHAUST DOWN PIPE  
 ENGINE COMPARTMENT BELOW AIR FILTER  
 LEFT FRONT COMPONENT PANEL  
 LEFT FRONT COMPONENT PANEL  
 RIGHT 'A' EMS POST TRIM PANEL  
 ABOVE RIGHT REAR WHEEL ARCH  
 ABOVE FUEL TANK  
 BELOW THROTTLE BODY

### ACCESS

ENGINE COMPARTMENT, LEFT  
 ENGINE COMPARTMENT, LEFT  
 ENGINE COMPARTMENT, LEFT  
 ENGINE COMPARTMENT, RIGHT  
 ENGINE COMPARTMENT  
 LEFT FRONT OF CYLINDER HEAD  
 ENGINE COMPARTMENT, FRONT  
 ENGINE COMPARTMENT  
 ENGINE COMPARTMENT  
 RIGHT DASH UNDER PANEL  
 BATTERY TRIM  
 ENGINE COMPARTMENT  
 FUEL TANK  
 ENGINE COMPARTMENT  
 ENGINE COMPARTMENT, RIGHT  
 ENGINE COMPARTMENT, LEFT  
 ENGINE COMPARTMENT, RIGHT  
 ENGINE COMPARTMENT, LEFT  
 ENGINE COMPARTMENT, LEFT  
 ENGINE COMPARTMENT, LEFT  
 PASSENGER'S FOOTWELL, EMS TRIM  
 RIGHT TRUNK TRIM PANEL  
 FUEL TANK TRIM / FUEL TANK  
 ENGINE COMPARTMENT

## CONNECTORS

### CODE

### DESCRIPTION

FP1 2-WAY ECONOSEAL III HC (BLACK)  
 LI82 2-WAY NIPPON DENSO (BLUE)  
 LI84 2-WAY ECONOSEAL III LC (BLACK)  
 LI92 25-WAY ECM CONNECTOR (BLUE)  
 LI93 25-WAY ECM CONNECTOR (YELLOW)  
 LI95 RELAY BASE (RED)  
 LI98 2-WAY LUCAR (BROWN)  
 LI100 4-WAY PACKARD (BLACK)  
 LI101 2-WAY LUCAR (BROWN)  
 LI102 3-WAY PM 5 (BLACK)  
 LI103 6-WAY SUMITOMO SEALED (BLACK)  
 LI104 6-WAY LUCAR (BLACK)  
 LI106 2-WAY LUCAR (BLUE)  
 LI109 3-WAY PM 5 (BLACK)  
 LI110 EYELET (WHITE)  
 LI111 EYELET (WHITE)  
 LI112 EYELET (WHITE)  
 LI113 7-WAY LUCAR (BLACK)  
 LI116 2-WAY LUCAR (SLATE)  
 LI117 2-WAY LUCAR (SLATE)  
 LI118 2-WAY LUCAR (SLATE)  
 LI119 2-WAY LUCAR (SLATE)  
 LI120 2-WAY LUCAR (SLATE)  
 LI121 2-WAY LUCAR (SLATE)  
 LI122 2-WAY LUCAR (BLACK)  
 LI123 .250 BLADE (WHITE)  
 LI130 RELAY BASE (GREEN)  
 LI131 RELAY BASE (BLACK)  
 LI132 6-WAY PM 4 (BROWN)  
 LI133 IN-LINE FUSE CONNECTOR (BLACK)  
 LI134 20-WAY MULTILOCK 70 (WHITE)  
 LI135 4-WAY ECONOSEAL III LC (BLACK)  
 LI142 2-WAY LUCAR (BLACK)  
 RH104 2-WAY ECONOSEAL III HC (BLACK)  
 RH160 14-WAY SUMITOMO BLOCK (WHITE)  
 RH173 RELAY BASE (YELLOW)

### LOCATION / INTERFACE

ABOVE FUEL TANK / FUEL PUMP  
 BETWEEN INJECTOR #5 & 6 / EGR SOLENOID VACUUM VALVE  
 ABOVE ENGINE OIL FILTER / EGR TEMPERATURE SENSOR  
 PASSENGER'S FOOTWELL TRIM / ENGINE CONTROL MODULE, LOW POWER  
 PASSENGER'S FOOTWELL TRIM / ENGINE CONTROL MODULE, HIGH POWER  
 RIGHT 'A' POST TRIM / ECM MAIN RELAY  
 AIR INTAKE ELBOW / ENGINE BREATHER HEATER  
 BETWEEN INJECTOR #2 & 3 / IDLE SPEED ACTUATOR  
 ON THERMOSTAT HOUSING / COOLANT TEMPERATURE SENSOR  
 ABOVE AIR PUMP / AIR INJECTION PUMP  
 ADJACENT TO THROTTLE BODY / THROTTLE POSITION SENSOR  
 ADJACENT TO MASS AIR FLOW METER / MASS AIR FLOW METER  
 ABOVE AIR INJECTION PUMP / AIR INJECTION SOLENOID VACUUM VALVE  
 FRONT OF ENGINE / CRANKSHAFT SENSOR  
 BEHIND RIGHT HEADLIGHT ON INNER FENDER / IGNITION COIL "+"  
 BEHIND RIGHT HEADLIGHT ON INNER FENDER / IGNITION COIL "-"  
 BEHIND RIGHT HEADLIGHT ON INNER FENDER / IGNITION AMPLIFIER GROUND  
 BEHIND RIGHT HEADLIGHT ON INNER FENDER / IGNITION AMPLIFIER  
 INTAKE MANIFOLD / INJECTOR #1  
 INTAKE MANIFOLD / INJECTOR #2  
 INTAKE MANIFOLD / INJECTOR #3  
 INTAKE MANIFOLD / INJECTOR #4  
 INTAKE MANIFOLD / INJECTOR #5  
 INTAKE MANIFOLD / INJECTOR #6  
 RIGHT PLENUM DRAIN PIPE / OXYGEN SENSOR HEATER  
 RIGHT PLENUM DRAIN PIPE / OXYGEN SENSOR FEEDBACK  
 LEFT FRONT COMPONENT PANEL / AIR INJECTION RELAY  
 LEFT FRONT COMPONENT PANEL / BREATHER HEATER RELAY  
 BELOW RIGHT A/C OUTLET / DIAGNOSTIC DATA LINK CONNECTOR (JDS)  
 BELOW RIGHT A/C OUTLET / DIAGNOSTIC DATA FUSE (JDS)  
 RIGHT DASH UNDER PANEL / FUEL INJECTION HARNESS  
 RIGHT DASH UNDER PANEL / FUEL INJECTION HARNESS  
 ADJACENT TO AIR INJ. PUMP / CHARCOAL CANISTER PURGE VALVE  
 ABOVE FUEL TANK, RIGHT / FUEL PUMP HARNESS  
 BY LEFT LOWER A/C OUTLET / RIGHT SIDE INJECTION HARNESS  
 ABOVE RIGHT REAR WHEEL ARCH / FUEL PUMP RELAY

## GROUNDS

### CODE

### DESCRIPTION

LIG30 EYELET  
 LIG31 EYELET  
 LIG32 EYELET  
 LIG80 EYELET  
 LIG81 EYELET  
 LIG107 EYELET  
 RHG106 EYELET

### LOCATION / INTERFACE

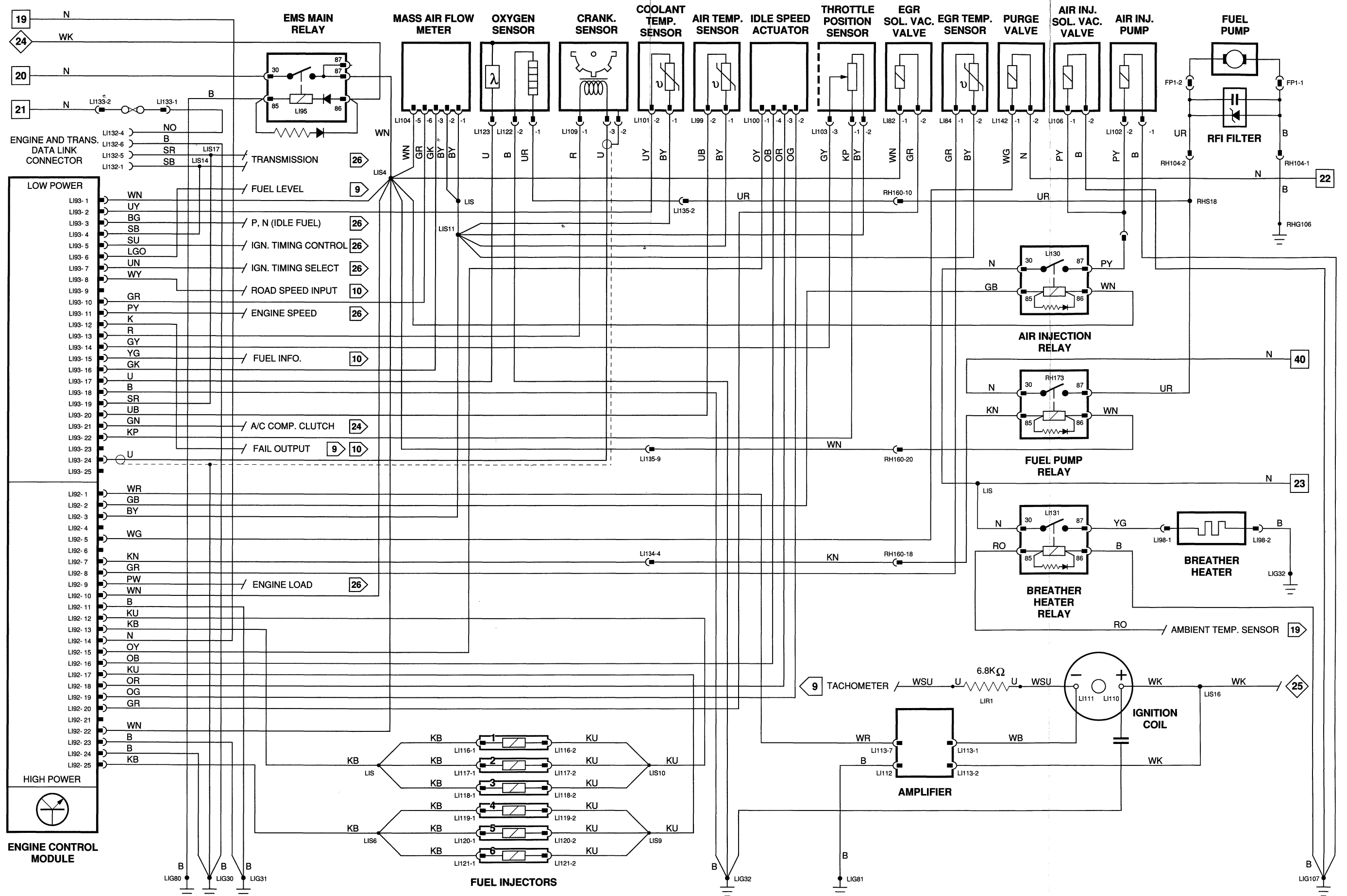
ENGINE COMPARTMENT, BEHIND ABS PUMP ON BULKHEAD / POWER GROUND  
 ENGINE COMPARTMENT, BEHIND ABS PUMP ON BULKHEAD / POWER GROUND  
 ENGINE COMPARTMENT, BEHIND ABS PUMP ON BULKHEAD / POWER GROUND  
 ENGINE COMPARTMENT, BEHIND ABS PUMP ON BULKHEAD / POWER GROUND  
 ENGINE COMPARTMENT, BEHIND ABS PUMP ON BULKHEAD / POWER GROUND  
 ABOVE #1 INTAKE RUNNER ON ENGINE / POWER GROUND  
 RIGHT OF BATTERY AT WHEEL ARCH / BATTERY NEGATIVE CABLE

## INPUTS / OUTPUTS

### ENGINE CONTROL MODULE

CODE	IN / OUT	CIRCUIT	ACTIVE	INACTIVE
LI92-1	OUTPUT	IGNITION AMPLIFIER DRIVE	PULSED DRIVE: 0.5V CRANKING; APPROX. 0.6V @1000 RPM;	1.5V @2000 RPM
LI92-2	OUTPUT	AIR INJECTION PUMP RELAY	GROUND	12V
LI92-3	OUTPUT	AIR MASS AND SENSOR GROUNDS	GROUND	GROUND
LI92-4	NOT USED			
LI92-5	OUTPUT	CANISTER PURGE	GROUND	12V
LI92-6	NOT USED			
LI92-7	OUTPUT	FUEL PUMP RELAY	GROUND	12V
LI92-8	INPUT	EGR TEMPERATURE SENSOR	2000 RPM, EGR VALVE CLOSED: 4.9V	2000 RPM, VALVE OPEN: VOLTAGE DROPS
LI92-9	OUTPUT	ENGINE LOAD TO TRANSMISSION CONTROL MODULE	PULSED SIGNAL: 13V AT IDLE, DECREASES WITH ENGINE LOAD	LOAD
LI92-10	INPUT	IGNITION SWITCHED POWER	KEY ON: 12V	KEY OFF: OPEN CIRCUIT
LI92-11	INPUT	POWER GROUND	GROUND	GROUND
LI92-12	OUTPUT	INJECTOR SUPPLY	ENGINE RUNNING: 12V	KEY OFF: OPEN CIRCUIT
LI92-13	OUTPUT	INJECTOR DRIVE	PULSED SIGNAL: 2.6 MS @ IDLE	KEY OFF: OPEN CIRCUIT
LI92-14	INPUT	BATTERY POWER	12V	12V
LI92-15	OUTPUT	IDLE SPEED ACTUATOR	STEPPER MOVING: 12V - 0.8V	NOT MOVING: OPEN CIRCUIT
LI92-16	OUTPUT	IDLE SPEED ACTUATOR	STEPPER MOVING: 12V - 0.8V	NOT MOVING: OPEN CIRCUIT
LI92-17	OUTPUT	INJECTOR SUPPLY	ENGINE RUNNING: 12V	KEY OFF: OPEN CIRCUIT
LI92-18	OUTPUT	IDLE SPEED ACTUATOR	STEPPER MOVING: 12V - 0.8V	NOT MOVING: OPEN CIRCUIT
LI92-19	OUTPUT	IDLE SPEED ACTUATOR	STEPPER MOVING: 12V - 0.8V	NOT MOVING: OPEN CIRCUIT
LI92-20	OUTPUT	EGR SOLENOID VACUUM VALVE	GROUND	12V

CONTINUED AT LEFT ON FOLDOUT



□ BATTERY POWER (FIG 1)

◇ IGNITION POWER (FIG 2)

◻ FIG NUMBER REFERENCE

# FIG 26 DATA

## COMPONENTS

### DESCRIPTION

ENGINE AND TRANS. DATA LINK CONNECTOR  
KICKDOWN SWITCH  
RELAY — TRANSMISSION POWER (GH4)

RELAY — TRANSMISSION WARNING (LB280)  
THROTTLE POSITION SENSOR  
TRANSMISSION CONTROL MODULE

TRANSMISSION MODE SWITCH  
TRANSMISSION ROTARY SWITCH

### LOCATION

TRUNK, RIGHT BELOW BATTERY TRAY  
BENEATH ACCELERATOR PEDAL  
COUPE: ABOVE RIGHT REAR WHEEL ARCH  
CONV: LEFT SIDE OF STOWAGE COMPARTMENT  
LEFT COMPONENT PANEL  
BELOW THROTTLE BODY  
COUPE: PASSENGER'S 'B/C' POST  
CONV: LEFT SIDE OF STOWAGE COMPARTMENT  
ADJACENT TO GEAR SELECTOR  
LEFT SIDE OF GEARBOX

### ACCESS

BATTERY TRIM  
DRIVER'S FOOTWELL CARPET  
RIGHT TRUNK TRIM  
REMOVE STOWAGE COMPARTMENT  
LEFT DASH UNDER PANEL  
ENGINE COMPARTMENT  
'B/C' POST TRIM  
REMOVE STOWAGE COMPARTMENT  
CENTER CONSOLE TRIM  
ON GEARBOX

## CONNECTORS

### CODE DESCRIPTION

GH4 RELAY BASE (BLUE)  
GH5 55-WAY AMP CONNECTOR (BLACK)  
GH6 6-WAY SUMITOMO STD. (WHITE)  
GH7 24-WAY PMHD (YELLOW)  
GH8 13-WAY SUMITOMO BLOCK (WHITE)  
GH9 14-WAY SUMITOMO BLOCK (WHITE)  
LB166 3-WAY PM 5 (PURPLE)  
LB280 RELAY BASE (BLACK)  
LI103 6-WAY SUMITOMO SEALED (BLACK)  
LI133 IN-LINE FUSE CONNECTOR

### LOCATION / INTERFACE

COUPE: ABOVE RIGHT REAR WHEEL ARCH / TRANSMISSION POWER RELAY  
CONV: LEFT SIDE OF STOWAGE COMPARTMENT / TRANSMISSION POWER RELAY  
COUPE: RIGHT 'B/C' POST / TRANSMISSION CONTROL MODULE  
CONV: LEFT SIDE OF STOWAGE COMPARTMENT / TRANSMISSION CONTROL MODULE  
ADJACENT TO GEAR SELECTOR MODULE / MODE CONTROL SWITCH  
CENTER CONSOLE, LEFT, BY LOWER A/C OUTLET / ROTARY SWITCH HARNESS  
BELOW RIGHT A/C OUTLET / ROTARY SWITCH HARNESS  
BELOW RIGHT A/C OUTLET / ROTARY SWITCH HARNESS  
BEHIND ACCELERATOR PEDAL / KICKDOWN SWITCH  
LEFT COMPONENT PANEL / TRANSMISSION WARNING RELAY  
ADJACENT TO THROTTLE BODY / THROTTLE POSITION SENSOR  
BELOW RIGHT A/C OUTLET / SERIAL COMMUNICATIONS CONNECTOR

## GROUND S

### CODE DESCRIPTION

LIG30 EYELET  
LIG80 EYELET  
LIG81 EYELET  
LIG161 EYELET

### LOCATION / INTERFACE

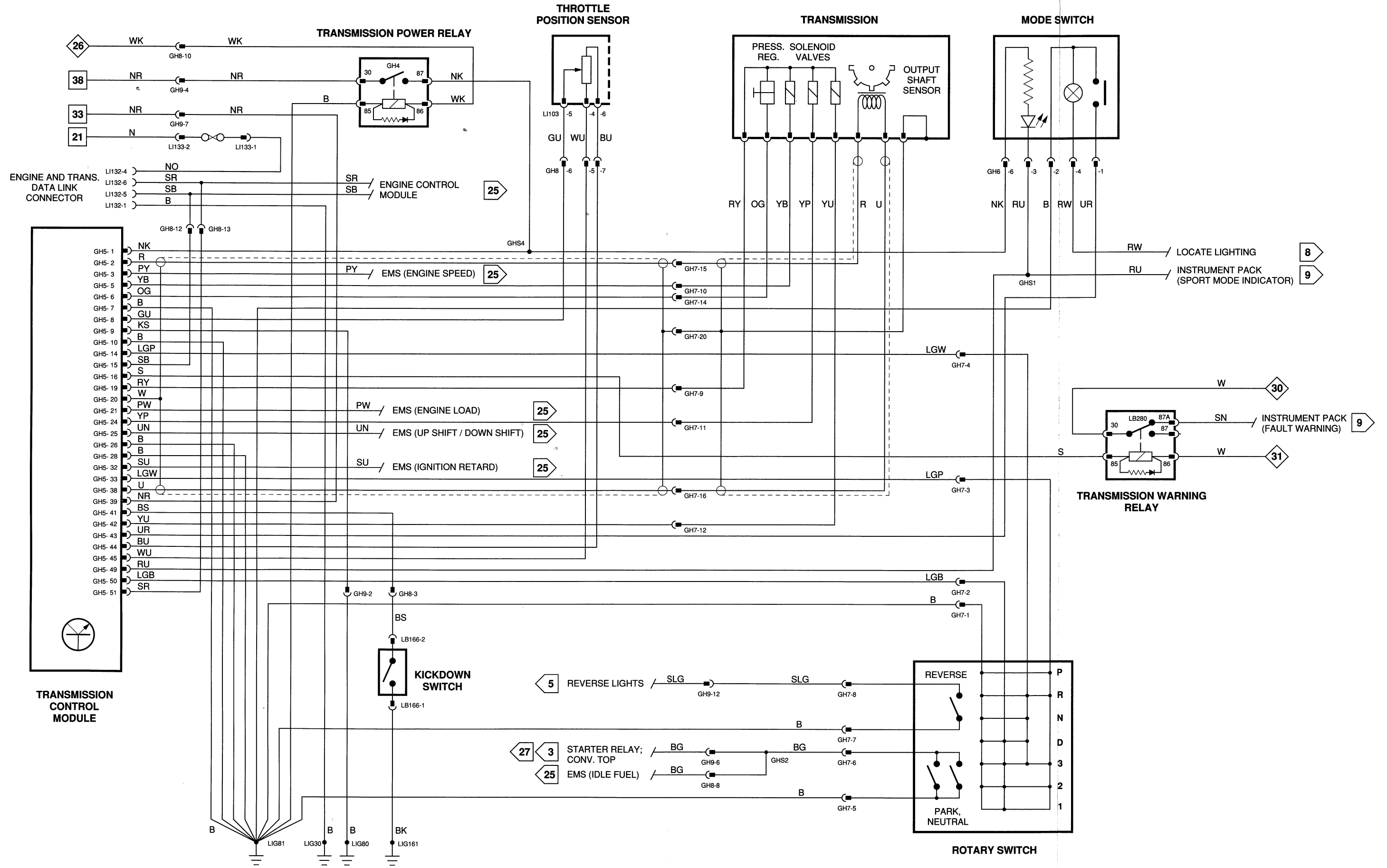
ENGINE COMPARTMENT BEHIND ABS PUMP ON BULKHEAD / POWER GROUND  
ENGINE COMPARTMENT BEHIND ABS PUMP ON BULKHEAD / POWER GROUND  
ENGINE COMPARTMENT BEHIND ABS PUMP ON BULKHEAD / POWER GROUND  
LEFT SIDE OF TRANSMISSION TUNNEL BY A/C BRACKET / LOGIC GROUND

## INPUTS / OUTPUTS

### TRANSMISSION CONTROL MODULE

CODE	IN / OUT	CIRCUIT	ACTIVE	INACTIVE
GH5-1	INPUT	TRANSMISSION POWER RELAY	KEY ON: 12V	KEY OFF: OPEN CIRCUIT
GH5-2	INPUT	OUTPUT SHAFT SPEED SENSOR	0 MPH: 1.6 MV AC; 10 MPH: 2.2V AC; 30 MPH: 6.5V AC	
GH5-3	INPUT	ENGINE SPEED SIGNAL	PULSED VOLTAGE	0V
GH5-5	OUTPUT	SOLENOID VALVE #1 (MV1)	"2", "3": GROUND	"P", "R", "N", "1", "4": 12V
GH5-6	OUTPUT	PRESSURE REGULATOR SOLENOID	PULSED GROUND	MAXIMUM PRESSURE: 12V
GH5-7	INPUT	POWER GROUND	GROUND	GROUND
GH5-8	INPUT	THROTTLE POSITION SENSOR WIPER: MIN: 0.58V - 0.62V IDLE POS. MAX: 4.9V WOT	GROUND	GROUND
GH5-9	INPUT	POWER GROUND	GROUND	GROUND
GH5-10	INPUT	POWER GROUND	GROUND	GROUND
GH5-14	INPUT	ROTARY SWITCH	KEY ON, "P", "2": 12V	"R", "N", "3", "2": GROUND
GH5-15	INPUT	SERIAL COMMUNICATIONS DATA LINK	JDS	—
GH5-16	OUTPUT	TRANSMISSION WARNING RELAY	LIGHT ON: 12V	LIGHT OFF: GROUND
GH5-19	OUTPUT	TRANSMISSION SOLENOIDS	ENGINE RUNNING, NO FAULTS: 12V	KEY OFF: OPEN CIRCUIT
GH5-20	OUTPUT	SHIELD OUTPUT SHAFT SPEED SENSOR	SHIELD GROUND	SHIELD GROUND
GH5-21	INPUT	ENGINE CONTROL MODULE — ENGINE LOAD	BATTERY VOLTAGE / REDUCING WITH ENGINE LOAD	
GH5-24	OUTPUT	SOLENOID VALVE #2 (MV2)	"P", "R", "N", "D", "1", "2": GROUND	"3", "4": 12V
GH5-25	INPUT	ENGINE CONTROL MODULE — IGNITION TIMING SELECT	ENGINE RUNNING: 12V	KEY OFF: OPEN CIRCUIT
GH5-26	INPUT	POWER GROUND	GROUND	GROUND
GH5-28	INPUT	POWER GROUND	GROUND	GROUND
GH5-32	OUTPUT	IGNITION TIMING RETARD	ENGINE RUNNING: 11V	KEY OFF: OPEN CIRCUIT
GH5-33	INPUT	ROTARY SWITCH	KEY ON, "P", "R", "N": 12V	"D", "3", "2": GROUND
GH5-38	INPUT	OUTPUT SHAFT SPEED SENSOR	GROUND	GROUND
GH5-39	INPUT	BATTERY POWER	12V	12V
GH5-41	INPUT	KICKDOWN SWITCH	SWITCH PRESSED: GROUND	SWITCH RELEASED: 12V
GH5-42	OUTPUT	SOLENOID VALVE #3 — LOCK-UP	LOCK-UP ON: GROUND	RELEASED: 12V
GH5-43	INPUT	TRANSMISSION MODE SWITCH	BUTTON PRESSED: GROUND	BUTTON RELEASED: 12V
GH5-44	INPUT	THROTTLE POSITION SENSOR GROUND	GROUND	GROUND
GH5-45	OUTPUT	THROTTLE POSITION SENSOR OUTPUT	KEY ON: 5V	KEY OFF: OPEN CIRCUIT
GH5-49	OUTPUT	SPORT MODE INDICATOR	SPORT LIGHT ON: 12V	SPORT LIGHT OFF: 12V
GH5-50	INPUT	ROTARY SWITCH	KEY ON, "P", "R", "3", "2": GROUND	"D", "N": 12V
GH5-51	OUTPUT	SERIAL COMMUNICATIONS DATA LINK	JDS	—





# FIG 27 DATA

## COMPONENTS

DESCRIPTION	LOCATION	ACCESS
CONVERTIBLE TOP ECU	LUGGAGE LOCKER	REMOVE COVER
CONVERTIBLE TOP FUSE	LUGGAGE LOCKER	REMOVE COVER
CONVERTIBLE TOP MOTOR	LUGGAGE LOCKER	REMOVE COVER
CONVERTIBLE TOP SWITCH	CENTER CONSOLE	REMOVE TRIM
DIODE — RHD(A)	CENTER CONSOLE, LEFT, UNDER INSULATION	CENTER CONSOLE
PARKING BRAKE SWITCH	PARKING BRAKE	REMOVE TRIM
QUARTER WINDOW MOTOR — LEFT	LEFT REAR WINDOW	BEHIND TRIM COVER
QUARTER WINDOW MOTOR — RIGHT	RIGHT REAR WINDOW	BEHIND TRIM COVER
RELAY — LEFT QUARTER DOWN (HH20)	CONVERTIBLE TOP COMPONENT PANEL	LUGGAGE LOCKER, RIGHT
RELAY — LEFT QUARTER UP (HH21)	CONVERTIBLE TOP COMPONENT PANEL	LUGGAGE LOCKER, RIGHT
RELAY — RIGHT QUARTER DOWN (HH24)	CONVERTIBLE TOP COMPONENT PANEL	LUGGAGE LOCKER, RIGHT
RELAY — RIGHT QUARTER UP (HH25)	CONVERTIBLE TOP COMPONENT PANEL	LUGGAGE LOCKER, RIGHT
RELAY — TOP DOWN (HH22)	CONVERTIBLE TOP COMPONENT PANEL	LUGGAGE LOCKER, RIGHT
RELAY — TOP UP (HH23)	CONVERTIBLE TOP COMPONENT PANEL	LUGGAGE LOCKER, RIGHT
THERMAL BREAKERS	LUGGAGE LOCKER	REMOVE COVER
TRANSMISSION ROTARY SWITCH	LEFT SIDE OF GEARBOX	ON GEARBOX

NOTE: COMPONENT IDENTIFICATIONS WITH [A] OR [B] RATHER THAN A NUMBER INDICATE COMPONENTS WITHOUT JDS DATA BASE IDENTIFICATION. THESE IDENTIFICATIONS ARE PENDING.

## CONNECTORS

CODE	DESCRIPTION	LOCATION / INTERFACE
GH7	24-WAY PMHD (YELLOW)	CENTER CONSOLE BY LOWER A/C OUTLET / ROTARY SWITCH HARNESS
GH8	13-WAY SUMITOMO BLOCK (WHITE)	BELOW RIGHT A/C OUTLET / ROTARY SWITCH HARNESS
GH9	14-WAY SUMITOMO BLOCK (WHITE)	BELOW RIGHT A/C OUTLET / ROTARY SWITCH HARNESS
HH18	2-WAY SPADE (WHITE)	LUGGAGE LOCKER / TOP MOTOR
HH19	2-WAY FUSEHOLDER (BLACK)	LUGGAGE LOCKER / CONVERTIBLE TOP FUSE
HH20	RELAY BASE (NATURAL)	CONVERTIBLE TOP RELAY PANEL / LEFT QUARTER DOWN RELAY
HH21	RELAY BASE (YELLOW)	CONVERTIBLE TOP RELAY PANEL / LEFT QUARTER UP RELAY
HH22	RELAY BASE (BLUE)	CONVERTIBLE TOP RELAY PANEL / TOP DOWN RELAY
HH23	RELAY BASE (GREEN)	CONVERTIBLE TOP RELAY PANEL / TOP UP RELAY
HH24	RELAY BASE (BLACK)	CONVERTIBLE TOP RELAY PANEL / RIGHT QUARTER DOWN RELAY
HH25	RELAY BASE (RED)	CONVERTIBLE TOP PANEL / RIGHT QUARTER UP RELAY
HH26	3-WAY SUMITOMO BLOCK (NAT.)	BELOW CONVERTIBLE TOP RELAY PANEL / CONVERTIBLE TOP ECU
HH27	SPADE	FRONT OF CONV. TOP RELAY PANEL / LEFT QUARTER MOTOR THERMAL BREAKER
HH28	SPADE	FRONT OF CONV. TOP RELAY PANEL / LEFT QUARTER MOTOR THERMAL BREAKER
HH29	SPADE	REAR OF CONV. TOP RELAY PANEL / RIGHT QUARTER MOTOR THERMAL BREAKER
HH30	SPADE	REAR OF CONV. TOP RELAY PANEL / RIGHT QUARTER MOTOR THERMAL BREAKER
HH31	6-WAY PM 4 (BLACK)	BETWEEN TOP & REAR QUARTER MOTORS / REAR HARNESS
HH32	6-WAY SUMITOMO STD. (NAT.)	BETWEEN HOOD PUMP & REAR QUARTER / REAR HARNESS
RF5	9-WAY PM 4 (BLACK)	ENGINE COMPARTMENT BY RIGHT PLENUM DRAIN / RF HARNESS
RH133	SPADE	BELOW HAND BRAKE TRIM / PARKING BRAKE SWITCH
RH134	SPADE	BELOW HAND BRAKE TRIM / PARKING BRAKE SWITCH
RH135	SPADE	BELOW HAND BRAKE TRIM / PARKING BRAKE SWITCH
RH145	3-WAY PM 5 (BLACK)	BEHIND REAR QUARTER TRIM / RIGHT QUARTER MOTOR
RH147	3-WAY PM 5 (BLACK)	BEHIND REAR QUARTER TRIM / LEFT QUARTER MOTOR
RH150	6-WAY S/T BLOCK (WHITE)	CENTER CONSOLE / CONVERTIBLE TOP SWITCH
RH161	20-WAY SUMITOMO BLOCK (NAT.)	BELOW LEFT A/C OUTLET / REAR HARNESS

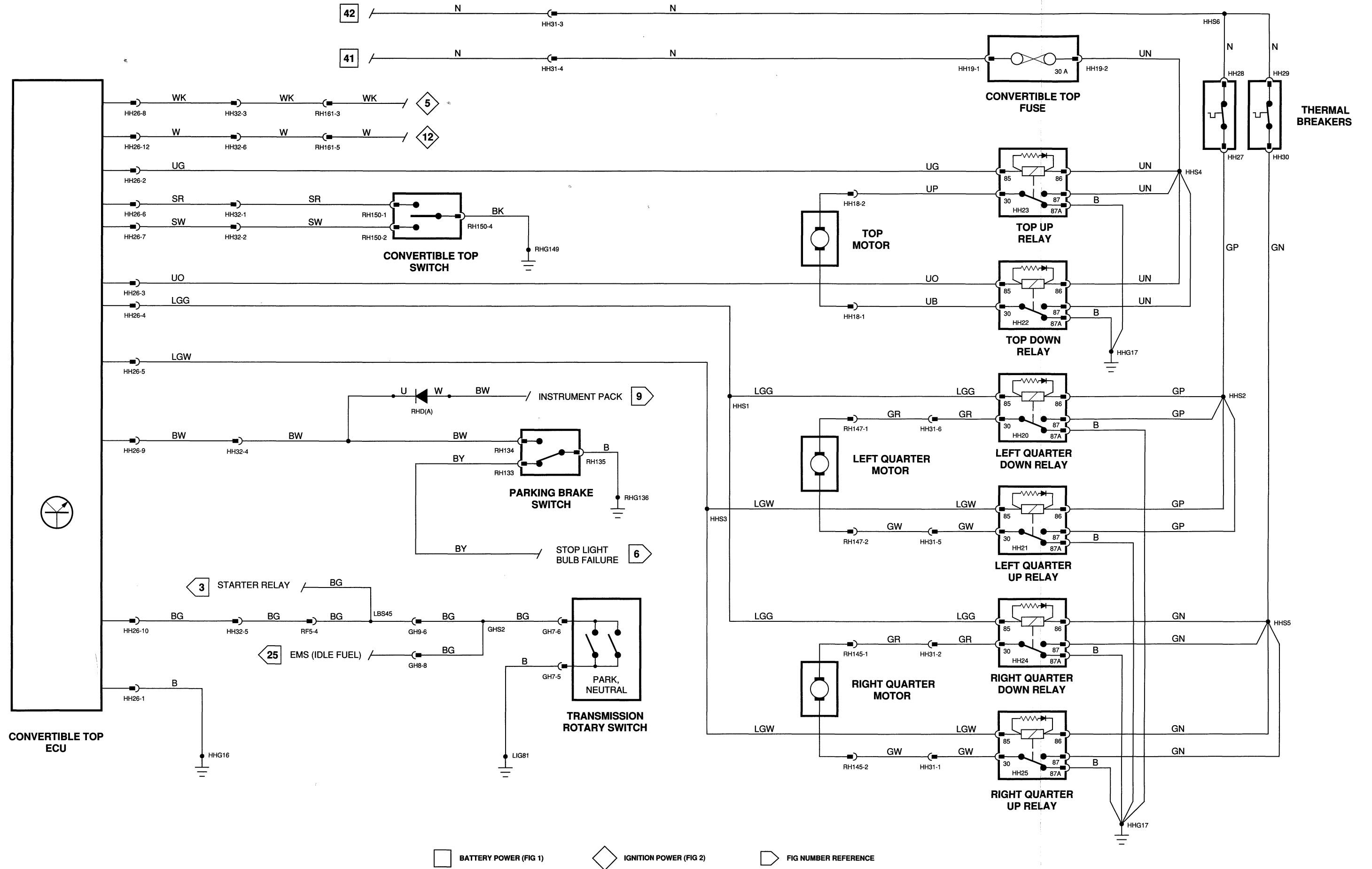
## GROUNDS

CODE	DESCRIPTION	LOCATION / INTERFACE
HHG16	EYELET	BETWEEN POWER HOOD PUMP AND REAR QUARTER / POWER GROUND
HHG17	EYELET	BETWEEN POWER HOOD PUMP AND REAR QUARTER / POWER GROUND
LIG81	EYELET	ENGINE COMPARTMENT BEHIND ABS PUMP ON BULKHEAD / POWER GROUND
RHG136	EYELET	BASE OF HAND BRAKE / POWER GROUND
RHG149	EYELET	TRANSMISSION TUNNEL / LOGIC GROUND

## INPUTS / OUTPUTS

### CONVERTIBLE TOP ECU

CODE	IN / OUT	CIRCUIT	ACTIVE	INACTIVE
HH26-1	INPUT	POWER GROUND	GROUND	GROUND
HH26-2	OUTPUT	CONVERTIBLE TOP UP RELAY	GROUND	12V
HH26-3	OUTPUT	CONVERTIBLE TOP DOWN RELAY	GROUND	12V
HH26-4	OUTPUT	LEFT/RIGHT QUARTER DOWN RELAY	GROUND	12V
HH26-5	OUTPUT	LEFT/RIGHT QUARTER UP RELAY	GROUND AFTER 8 SEC. DELAY	12V
HH26-6	INPUT	CONVERTIBLE TOP SWITCH — UP	BUTTON IN: GROUND	BUTTON OUT: 5V
HH26-7	INPUT	CONVERTIBLE TOP SWITCH — DOWN	BUTTON IN: GROUND	BUTTON OUT: 5V
HH26-8	INPUT	IGNITION SWITCHED POWER	12V	0V
HH26-9	INPUT	PARKING BRAKE SWITCH	BRAKE ON: GROUND	OFF: 12V
HH26-10	INPUT	NEUTRAL SWITCH	"P" OR "N": GROUND	"D" OR "R": 12V
HH26-12	INPUT	IGNITION SWITCHED POWER	12V	0V



# FIG 28 DATA

## COMPONENTS

### DESCRIPTION

BACKUP BATTERY  
 DIODE — LBD(A)  
 DIODE — LBD(B)  
 DOOR SWITCH — DRIVER'S  
 DOOR SWITCH — PASSENGER'S  
 RELAY — HEADLIGHT FLASH (SC1)  
 RELAY — START INHIBIT (SC3)  
 SECURITY SYSTEM ECU  
 SHOCK SENSOR  
 SIREN  
 TRUNK LIGHT SWITCH  
 VALET SWITCH  
 WARNING LED

### LOCATION

RIGHT TAIL LIGHT  
 BEHIND RIGHT BLOWER MOTOR  
 BEHIND RIGHT BLOWER MOTOR  
 DRIVER'S 'A' POST  
 RIGHT 'A' POST  
 LEFT BLOWER MOTOR  
 LEFT BLOWER MOTOR  
 RIGHT TAIL LIGHT  
 RIGHT TAIL LIGHT  
 LEFT FRONT WHEEL ARCH  
 TRUNK LATCH ASSEMBLY  
 LEFT FRONT WHEEL ARCH  
 STEERING COLUMN, LEFT

### ACCESS

LENS TRIM PANEL  
 RIGHT BLOWER  
 RIGHT BLOWER  
 LEFT DASH UNDER PANEL  
 RIGHT DASH UNDER PANEL  
 LEFT DASH UNDER PANEL  
 LEFT DASH UNDER PANEL  
 LENS TRIM PANEL  
 LENS TRIM PANEL  
 BEHIND ARCH PANEL  
 REMOVE LATCH  
 BEHIND ARCH PANEL

NOTE: COMPONENT IDENTIFICATIONS WITH [A] OR [B] RATHER THAN A NUMBER INDICATE COMPONENTS WITHOUT JDS DATA BASE IDENTIFICATION. THESE IDENTIFICATIONS ARE PENDING.

## CONNECTORS

### CODE DESCRIPTION

BL11 10-WAY SUMITOMO STD. (NATURAL)  
 BL12 2-WAY AMP  
 LB140 2-WAY SUMITOMO STD. (NATURAL)  
 LB188 2-WAY SUMITOMO STD. (WHITE)  
 LF1 18-WAY SUMITOMO BLOCK (BLACK)  
 LF44 BULLET  
 LF45 BULLET  
 RH174 14-WAY SUMITOMO BLOCK (BLUE)  
 SC1 SPADE  
 SC2 RELAY BASE (BLUE)  
 SC3 RELAY BASE (PURPLE)  
 SC4 SPADE  
 SS1 16-WAY SUMITOMO BLOCK (NATURAL)  
 SS2 10-WAY SUMITOMO STD. (RED)  
 ST2 14-WAY ECU BOARD CONNECTOR  
 ST3 16-WAY ECU BOARD CONNECTOR  
 ST4 3-WAY SUMITOMO STD. (NATURAL)  
 ST5 2-WAY SUMITOMO STD. (NATURAL)

### LOCATION / INTERFACE

ABOVE EFI ECU / REAR HARNESS  
 ABOVE TRUNK LATCH MECHANISM / TRUNK LIGHT SWITCH  
 RIGHT DASH UNDER PANEL, 6 IN. FROM 'A' POST / PASSENGER'S DOOR SWITCH  
 LEFT DASH UNDER PANEL, 6 IN. FROM 'A' POST / DRIVER'S DOOR SWITCH  
 LEFT 'A' POST / SIREN  
 LEFT FRONT INNER WHEEL ARCH / SIREN  
 LEFT FRONT INNER WHEEL ARCH / SIREN  
 BELOW LEFT A/C OUTLET / SECURITY SYSTEM HARNESS  
 STEERING COLUMN COWL / VALET SWITCH  
 LEFT FUSE PANEL / HEADLIGHT FLASH RELAY  
 LEFT FUSE PANEL / START INHIBIT RELAY  
 STEERING COLUMN COWL / VALET SWITCH  
 RIGHT TAIL LIGHT / SECURITY SYSTEM ECU  
 ABOVE LEFT FUSE PANEL / SECURITY SYSTEM RELAY HARNESS  
 RIGHT TAIL LIGHT / SECURITY SYSTEM ECU  
 RIGHT TAIL LIGHT / SECURITY SYSTEM ECU  
 RIGHT TAIL LIGHT / MOTION DETECTOR  
 RIGHT TAIL LIGHT / BACKUP BATTERY

## GROUND

### CODE DESCRIPTION

LGB161 EYELET  
 LGB201 EYELET  
 RHG105 EYELET  
 RHG106 EYELET

### LOCATION / INTERFACE

LEFT SIDE OF TRANSMISSION TUNNEL / LOGIC GROUND  
 LEFT 'A' POST FASCIA / POWER GROUND  
 BETWEEN BATTERY AND INNER WHEEL ARCH / POWER GROUND  
 BETWEEN BATTERY AND INNER WHEEL ARCH / POWER GROUND

## INPUTS / OUTPUTS

### SECURITY SYSTEM ECU

### CODE IN / OUT CIRCUIT

ST2-1 OUTPUT LED WARNING LIGHT  
 ST2-2 INPUT IGNITION SWITCHED POWER  
 ST2-3 INPUT VALET SWITCH  
 ST2-4 INPUT TRUNK LIGHT MICRO SWITCH  
 ST2-5 OUTPUT SIREN VOLTAGE SUPPLY  
 ST2-6 INPUT POWER GROUND  
 ST2-7 INPUT BATTERY POWER  
 ST2-8 INPUT SHOCK SENSOR  
 ST2-9 OUTPUT PASSIVE ARMING  
 ST2-10 OUTPUT LED DRIVE GROUND  
 ST2-11 OUTPUT SIREN DRIVE VOLTAGE  
 ST2-12 OUTPUT HEADLIGHT FLASH RELAY  
 ST2-13 INPUT DOOR OPEN  
 ST2-14 NOT USED

ST3-1 INPUT BACK-UP BATTERY  
 ST3-2 NOT USED  
 ST3-3 OUTPUT PARKING LIGHT FLASH  
 ST3-4 NOT USED  
 ST3-5 NOT USED  
 ST3-6 NOT USED  
 ST3-7 NOT USED  
 ST3-8 NOT USED  
 ST3-9 NOT USED  
 ST3-10 OUTPUT DOOR UNLOCK  
 ST3-11 OUTPUT DOOR LOCK  
 ST3-12 OUTPUT PASSIVE ARMING  
 ST3-13 NOT USED  
 ST3-14 NOT USED  
 ST3-15 OUTPUT HORN  
 ST3-16 INPUT START INHIBIT RELAY

### ACTIVE

LED ON STEADY: 12V  
 KEY ON: 12V  
 VALET TO ON: GROUND  
 TRUNK OPEN: GROUND  
 12V  
 GROUND  
 12V  
 SHOCK DETECTED: PULSE TO GROUND  
 LINK INSTALLED: GROUND SENSED  
 LIGHT ON STEADY: 0.7V  
 PULSES WITH VOLTAGE TO SOUND SIREN  
 LIGHTS ON: GROUND  
 DOOR OPEN: GROUND

FULL CHARGE: 6V  
 LIGHTS ON: GROUND

UNLOCK SIGNAL: PULSE TO GROUND  
 LOCK: PULSE TO GROUND  
 LINK INSTALLED: GROUND SENSED

HORNS ON: GROUND  
 STARTER DISABLED: GROUND

### INACTIVE

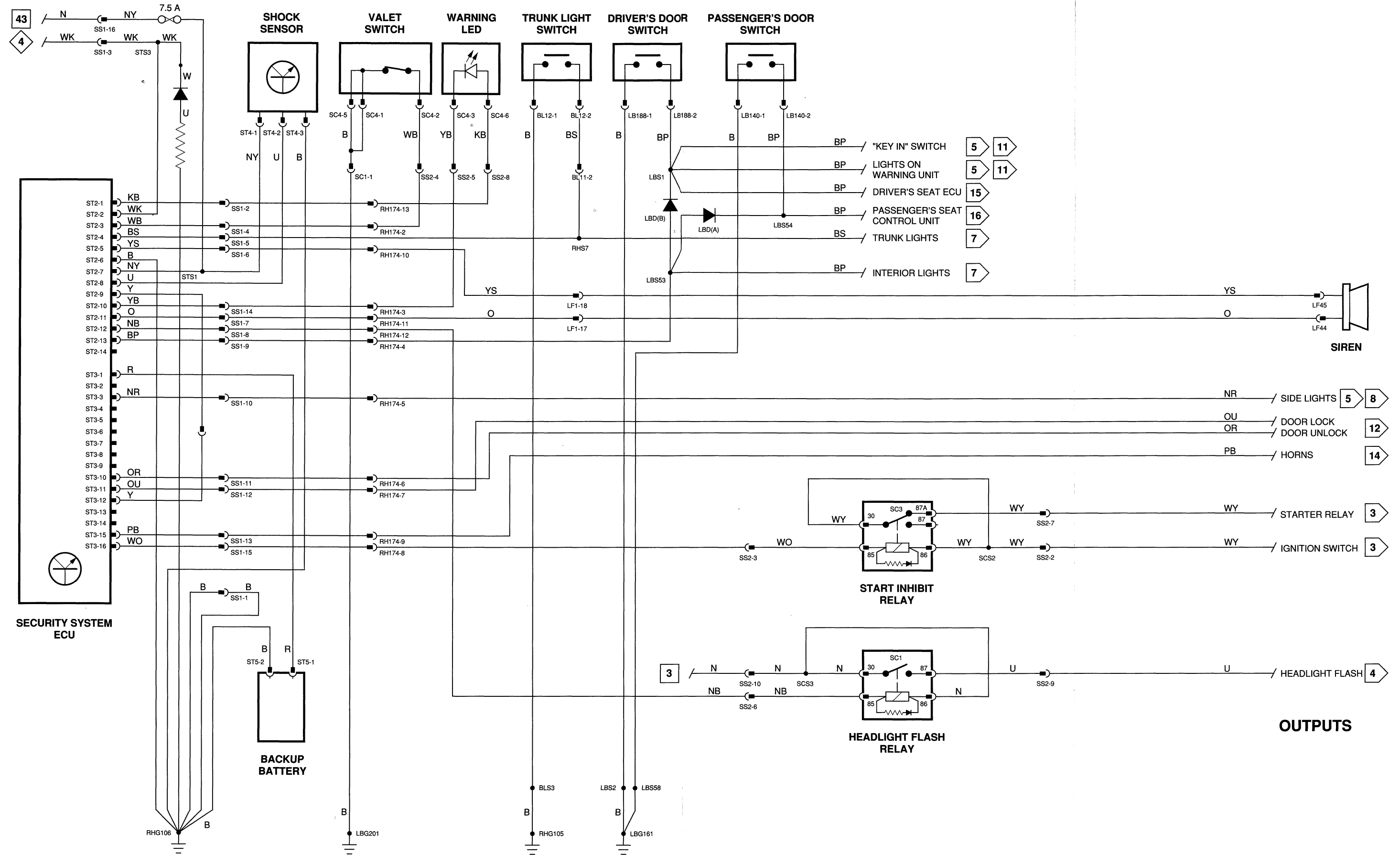
LIGHT FLASHING: PULSED VOLTAGE  
 KEY OFF: OPEN CIRCUIT  
 VALET TO OFF: OPEN CIRCUIT  
 TRUNK CLOSED: 12V  
 12V  
 GROUND  
 12V  
 VEHICLE STILL: 5V  
 LINK REMOVED: OPEN CIRCUIT  
 LIGHT FLASHING: PULSED GROUND

LIGHTS OFF: 12V  
 DOOR CLOSED: 12V

LIGHTS OFF: 12V

OPEN CIRCUIT  
 OPEN CIRCUIT  
 LINK REMOVED: 5V

HORNS OFF: 12V  
 STARTER ENABLED: 12V



BATTERY POWER (FIG 1)
 
 IGNITION POWER (FIG 2)
 

 FIG NUMBER REFERENCE