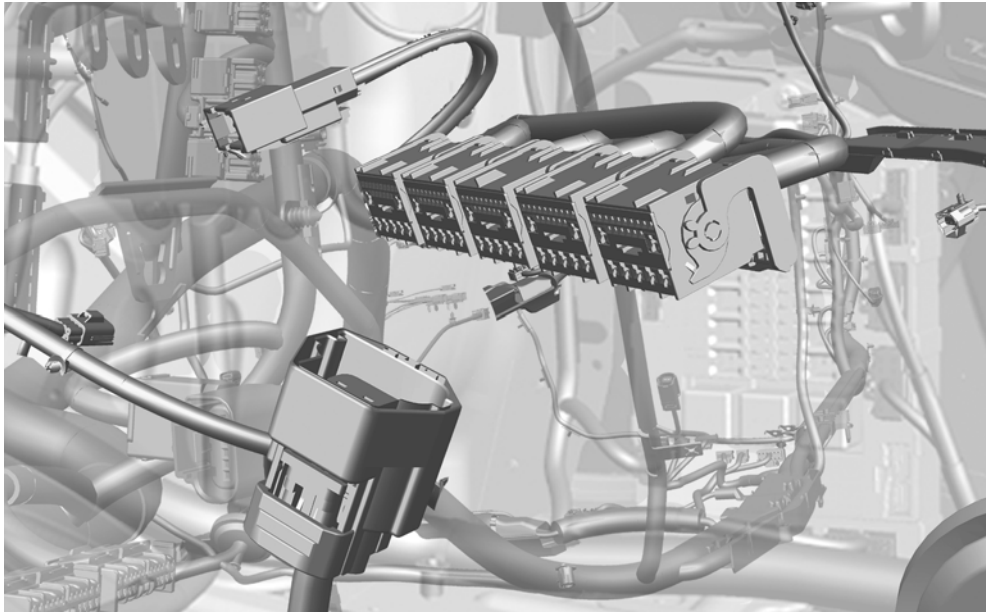




Electrical Wiring Diagrams



XF

VIN: R47154 >



BY APPOINTMENT TO
HER MAJESTY QUEEN ELIZABETH II
MANUFACTURERS OF DAIMLER AND JAGUAR CARS
JAGUAR CARS LIMITED COVENTRY



BY APPOINTMENT TO
HIS ROYAL HIGHNESS THE PRINCE OF WALES
MANUFACTURERS OF DAIMLER AND JAGUAR CARS
JAGUAR CARS LIMITED COVENTRY

Electrical Wiring Diagrams

XF

VIN: R47154 >

Published by Technical Communications, Jaguar Cars Limited
Publication Part No. JLR 14 30 10_2E

PREFACE

While every effort is made to ensure accuracy, design changes to the vehicle may be made in the period between the completion of this publication and the introduction of vehicles.

All rights reserved. No part of this publication may be reproduced, stored in a retrieval system or transmitted in any form, electronic, mechanical, recording or other means without prior written permission from Jaguar Cars Limited.

Paper copies of this document are uncontrolled, always refer to the electronic source material for the latest information.

© 2009 Jaguar Cars Limited

ABBREVIATIONS

..... vi

USING THIS PUBLICATION

Health and safety vii
Using this publication vii
Section numbering viii
Understanding the circuit diagrams viii

COMPONENT INDEX follows USING THIS PUBLICATION

CONNECTOR INDEX follows COMPONENT INDEX

204-04 - WHEELS AND TIRES

Tire pressure monitoring system 1

204-05 - VEHICLE DYNAMIC SUSPENSION

Adaptive Damping 2

205-02 - REAR DRIVE AXLE AND DIFFERENTIAL

Electronic rear differential 3

206-05 - PARKING BRAKE AND ACTUATION

..... 4

206-09 - ANTI-LOCK CONTROL

PV8 (4.2L) and PV6 5

PV8 (5.0L) and DV6 6

211-04 - STEERING COLUMN

Steering wheel 7

Steering Column Adjustment 8

303-03 - ENGINE COOLING

Petrol - PV8 5.0L 9

Petrol - except PV8 5.0L 10

Diesel 11

303-06 - STARTING SYSTEM

PV8 5.0L 12

PV8 4.2L 13

PV6 14

DV6 15

303-14B - ELECTRONIC ENGINE CONTROLS - DV6 (3.0L)

Vehicle interface - Part 1 16

Vehicle interface - Part 2 17

Vehicle interface - Part 3 18

Sensors - Part 1 19

Sensors - Part 2 20

Sensors - Part 3 21

Sensors - Part 4 22

Actuators - Part 1 23

Actuators - Part 2 24

Actuators - Part 3 25

Actuators - Part 4 26

Emissions - Part 1 27

Emissions - Part 2 28

303-14C - ELECTRONIC ENGINE CONTROLS - PV6

Throttle control	29
Actuators - Part 1	30
Actuators - Part 2	31
Actuators - Part 3	32
IMT valves	33
SAI without MAP	34
Sensors - Part 1	35
Sensors - Part 2	36
Emissions	37

303-14D - ELECTRONIC ENGINE CONTROLS - PV8 (4.2L)

Throttle control	38
Actuators - Part 1	39
Actuators - Part 2	40
SAI with MAP	41
Sensors - Part 1	42
Sensors - Part 2	43
Emissions	44

303-14E - ELECTRONIC ENGINE CONTROLS - PV8 (5.0L)

Vehicle interface	45
Actuators - Part 1	46
Actuators - Part 2	47
Actuators - Part 3	48
Actuators - Part 4	49
Sensors - Part 1	50
Sensors - Part 2	51
Sensors - Part 3	52
Sensors - Part 4	53
Sensors - Part 5	54
Emissions - Part 1	55
Emissions - Part 2	56
Coolant pump - PV8SC	57

307-01 - AUTOMATIC TRANSMISSION

PV8 5.0L	58
PV8 4.2L	59
PV6	60
DV6	61

310-01 - FUEL TANK AND FUEL LINES

Petrol - PV8 5.0L	62
Petrol - except PV8 5.0L	63
Diesel	64

310-03 - SPEED CONTROL

Petrol - PV8 5.0L	65
Petrol - except PV8 5.0L	66
Diesel	67
Adaptive	68

412-01 - CLIMATE CONTROL

Part 1	69
Part 2	70
Part 3	71
Part 4	72

412-02 - AUXILIARY CLIMATE CONTROL

Heated - front	73
Heated - rear	74

413-01 - INSTRUMENT CLUSTER

Part 1	75
Part 2	76
Part 3	77
Part 4	78

413-13 - PARKING AID

Front	79
Rear view camera	80
Rear	81

414-01 - BATTERY, MOUNTING AND CABLES

Battery cables - Petrol (PV8 5.0L)	82
Battery cables - Petrol (except PV8 5.0L)	83
Battery cables - Diesel	84
Engine junction box - PV8 EMS (5.0L)	85
Engine junction box - PV8 EMS (4.2L)	86
Engine junction box - PV6 EMS	87
Engine junction box - Petrol Emissions	88
Engine junction box - Common 1	89
Engine junction box - Common 2	90
Engine junction box - DV6 EMS	91
Engine junction box - Visibility	92
Central junction box	93 -103
Rear junction box	104 -110
Ground distribution	111 -112
Ground distribution - PV6 and PV8 4.2L	113
Ground distribution - DV6 and PV8 5.0L	114
Ground distribution	115 -122

414-02 - GENERATOR AND REGULATOR

Charging - PV8 5.0L	123
Charging - PV8 4.2L	124
Charging - PV6	125
Charging - DV6	126

415-00 - INFORMATION AND ENTERTAINMENT SYSTEM

Audio control (without power amplifier)	127
Audio control (with power amplifier)	128
14-Speaker system	129
8-Speaker system	130
9-Speaker system	131
Audio antennae	132
Portable audio interface - Part 1	133
Portable audio interface - Part 2	134
SDARS or DAB	135
In-band On-channel (IBOC)	136
Television	137

417-01 - EXTERIOR LIGHTING

Headlamps	138
Headlamps - high intensity discharge	139
Side lamps	140
Daylight running lamps	141
Brake and reverse lamps	142
Turn signal indicators and hazard flashers	143
Turn signal repeaters	144
Fog lamps	145

417-02 - INTERIOR LIGHTING

Map and Courtesy	146
Doors and Luggage compartment	147
Ambient lighting	148
Switch Illumination	149
Tread plate illumination	150

418-00 - MODULE COMMUNICATIONS NETWORK

CAN bus - medium speed - Part 1 (Common)	151
CAN bus - medium speed - Part 2 (LHD)	152
CAN bus - medium speed - Part 3 (LHD)	153
CAN bus - medium speed - Part 2 (RHD)	154
CAN bus - medium speed - Part 3 (RHD)	155
CAN bus - high speed	156 -160
MOST	161 - 164

419-01 - ANTI-THEFT SYSTEM

Part 1	165
Part 2	166
Part 3	167
Passive	168

419-07 - NAVIGATION SYSTEM

.....	169
-------	-----

419-08 - CELLULAR PHONE

.....	170
-------	-----

419-15 - ELECTRONIC FEATURES MODULES

Glove compartment release	171
---------------------------------	-----

501-09 - REAR VIEW MIRRORS

Mirror Movement	172
Electrochromic	173
Blind spot monitoring (LHD)	174
Blind spot monitoring (RHD)	175

501-10 - SEATING

Heated - front	176
Driver seat - 16 way memory (LHD)	177
Driver seat - 10 way memory (LHD)	178
Driver seat - 10 way non-memory (LHD)	179
Passenger seat - 8 and 12 way (LHD)	180
Driver seat - 16 way memory (RHD)	181
Driver seat - 10 way memory (RHD)	182
Driver seat - 10 way non-memory (RHD)	183
Passenger seat - 8 and 12 way (RHD)	184
Climate controlled - Front (RHD)	185
Climate controlled - Front (LHD)	186
Driver seat - lumbar and bolster control	187
Passenger seat - lumbar and bolster control	188

501-11 - GLASS, FRAMES AND MECHANISMS

Window lift - front	189
Window lift - rear	190

501-12 - INSTRUMENT PANEL AND CONSOLE

Accessory socket(s)	191
---------------------------	-----

501-14 - HANDLES, LOCKS, LATCHES AND ENTRY SYSTEMS

Keyless entry - Front (RHD)	192
Keyless entry - Antennae	193
Front power locks	194
Keyless entry - Front (LHD)	195
Keyless entry - Rear	196
Front dead locks	197
Rear power locks	198
Rear dead locks	199
Luggage compartment and fuel flap	200

501-16 - WIPERS AND WASHERS

.....	201
-------	-----

501-17 - ROOF OPENING PANEL

Roof opening panel and sun blind	202
--	-----

501-20A - SAFETY BELT SYSTEM	
.....	203
501-20B - SUPPLEMENTAL RESTRAINT SYSTEM	
LHD	204
RHD	205
Passenger air bag deactivation	206
501-20C - PEDESTRIAN PROTECTION SYSTEM	
.....	207

Abbreviation	Description
ABS	Anti-lock braking system
ADRC	Adaptive damping
AFS	Adaptive front lighting system
AMP	Audio amplifier
AUTO	Automatic transmission
AUU	Portable audio interface
BSM	Blind spot monitoring
CAN	Controller area network
CVD	Continuously variable damping
DAB	Digital audio broadcasting
DSC	Dynamic stability control
D4	Diesel engine - Straight-four
DPF	Diesel particulate filter
DV6	Diesel engine - V6
DV8	Diesel engine - V8
EGR	Exhaust gas recirculation
EMS	Engine management system
ETS	Electronic transmission shift
FET	Field effect transistor
GPS	Global positioning system
HID	High intensity discharge
HS CAN	High speed controller area network bus
IC	Instrument cluster
IMT	Intake manifold tuning
IP	Instrument panel
PV6	Petrol engine - V6
PV8	Petrol engine - V8
PV8NA	Naturally aspirated engine - V8
PV8SC	Super charged engine - V8
LH	Left-hand
LIN	Local interconnect network
MAF/IAT	Mass air flow / intake air temperature
MS CAN	Medium speed controller area network bus
MMM	Navigation system module
N/A	Normally aspirated
NAS	North American specification
PDC	Park distance control
RF	Radio frequency
RH	Right-hand
SAI	Secondary air injection
SCL	Steering column locking
SDARS	Satellite digital audio receiver system
TPMS	Tire pressure monitoring system
TSD	Touch screen display
TV	Television
ULEV	Ultra low emission vehicle
USB	Universal serial bus
VICS	Vehicle information control system

Health and safety

Always follow health and safety guidelines, specifically those detailed in the Workshop Manual.

Using this publication

The information provided in this publication is for use only by competent, qualified auto-electricians. Good product knowledge is assumed, as well as the ability to access and use recommended test equipment and other reference material provided.

Test equipment and other reference material

The information in this publication should be used in conjunction with the recommended test equipment; refer to Workshop Manual. Other reference material includes: Technical Service Bulletins (TSB) and the Workshop Manual.

The Electrical Reference Library (ERL) may also prove useful since it provides detailed connector information.

Battery disconnection and reconnection

It is imperative that any information relating to battery disconnection and reconnection is followed; refer to the appropriate sections in the Workshop Manual.

Fault Diagnosis

Always use the recommended test equipment for correct and reliable fault diagnosis, refer to the Workshop Manual.

Harness Repair

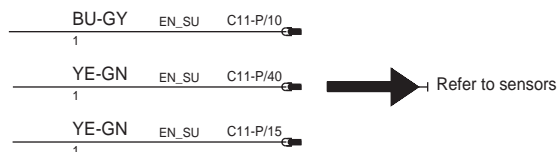
Repairs should only be undertaken for connectors where a Service Repair Kit is available; refer to the appropriate Electrical Reference Library (ERL).

Note: Fibre Optic circuits cannot be repaired; refer to the Workshop Manual.

Engine Harness In-line Connector Designations

It has been necessary to draw certain wiring diagrams to support and permit the sharing of common electrical harnesses, as a result the in-line connectors linking the engine compartment harness and the engine harness appear on separate pages.

In addition, it should be noted that the connector designations may not match; where this is the case, the matching connector designations are identified at the bottom right-hand side of the drawing, for example C11-P = C11-A. An arrow or a diamond is used to highlight the connectors that are affected by this convention.



C11-P = C11-A
C11-N = C11-B
C11-M = C11-C

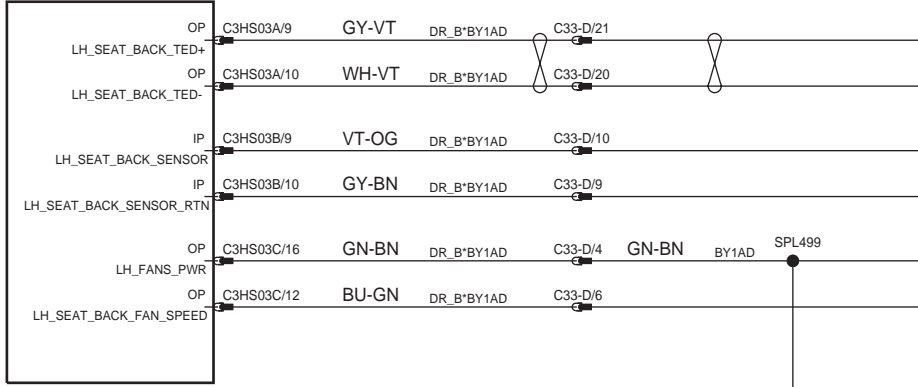
USING THIS PUBLICATION

Section numbering

The sections in this publication are ordered to match the Global Outline numbering system as found in the current Workshop Manual. The Power and Ground distribution circuits can be found under section 414-01, BATTERY, MOUNTING AND CABLES.

Note: Where circuit diagrams show more than one sub-system, the circuit will be located in the section that carries the first-named sub-system, for example: Starting and Charging will be located under section 303-06 Starting System, since 'Starting' is the first-named sub-system.

Understanding the circuit diagrams



Connectors, Ground and Splices

Harnesses for the vehicle originate from a variety of different sources and therefore the connector nomenclature is inconsistent.

Wire Length

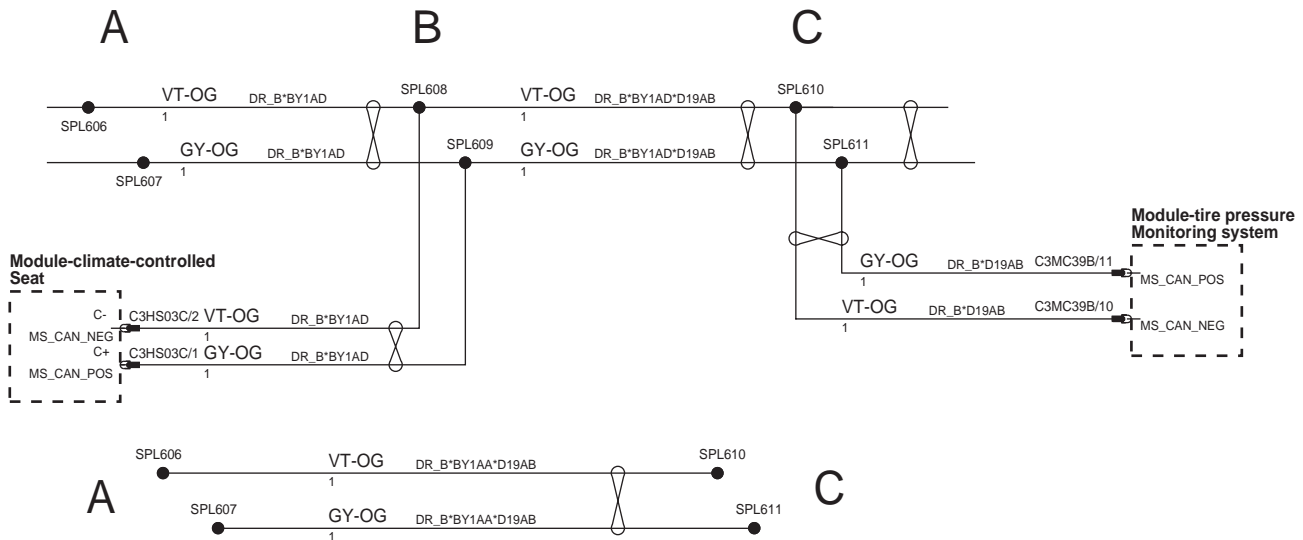
Wire length (where stated) is in millimeters and appear directly below the color code for each wire. Wire length values are displayed for LHD vehicles only, values for RHD vehicles may vary.

Twisted Wires

The 'figure-of-eight' symbol indicates that wires are twisted together.

By-pass Wires

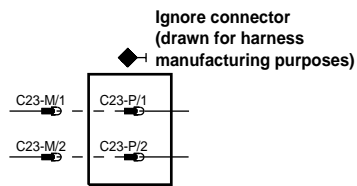
Vehicles are customized to suit market or customer selected options. To reduce the number of circuits drawn, by-pass wires are shown. By-pass wires are identified by large, upper case letters designed to correspond with the alternative connection arrangement; refer to figure below.



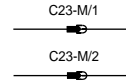
Connector Designation

Certain connectors have been drawn for harness manufacturing purposes only. In Example 1, the left-hand connector is always used, the connector drawn to the right-hand side of the dotted line is a dummy connector which should be ignored; refer to Service Interpretation 1.

Example 1:

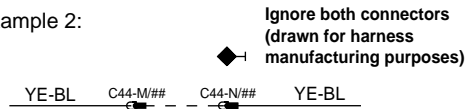


Service Interpretation 1:



Example 2 depicts that some pairs of connectors have also been drawn for harness manufacturing purposes, these connectors do not appear in the vehicle and therefore should be ignored; refer to Service Interpretation 2.

Example 2:



Service Interpretation 2:



Control Module Pins

B+	Battery voltage
C-	CAN negative
C+	CAN positive
D	Data
GND	Ground
GREF	Sensor / signal ground **
IP	Input signal
LIN	Local interconnect network
MOST_RX	MOST receive
MOST_TX	MOST transmit
NEG	Negative
OP	Output signal
P	Power ground
POS	Positive
PWR	Power
SW	Switch
VBATT	Battery voltage
VREF	Sensor / signal supply V *

*May also indicate Reference Voltage.

**May also indicate Reference Ground or Logic Ground.

Wire Codes

CODE	COLOR
BK or B	BLACK
BN or N	BROWN
BU or U	BLUE
GN or G	GREEN
GY or S	GREY
OG or O	ORANGE
OPT	FIBER OPTIC
PK or K	PINK
RD or R	RED
SCR	SCREEN BRAID
VT or P	PURPLE
WH or W	WHITE
YE or Y	YELLOW

USING THIS PUBLICATION

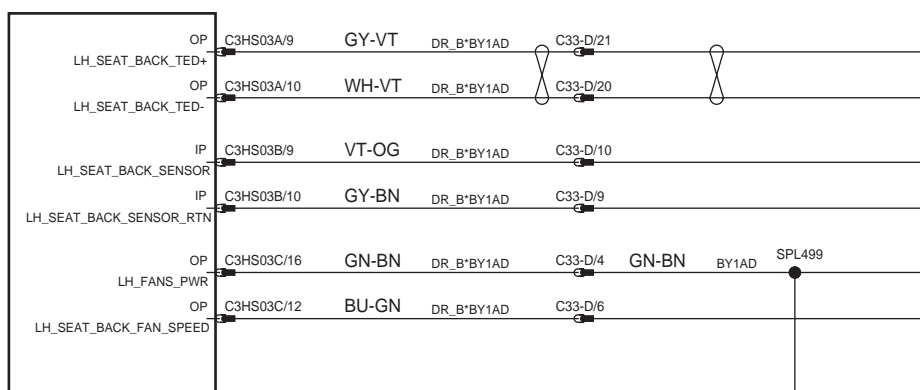
Option Code

A code identifying an optional wiring arrangement, for example BY1AD, may be allocated to certain wires; refer to the Option Code Table.

The asterisk (*) represents 'and'; the colon (:) represents 'or'; for example:

DR_B*BY1AD, represents: left-hand drive AND heated & cooled seats

IBYAD*IESAB:IBYAC*IESAB, represents: satellite digital audio AND television OR digital audio AND television.



Option Code Table

Cct	Vehicle Option or Feature
2W_LUM	2way lumbar
A2CAA	without secondary air injection
A2CAB	secondary air injection
A2CAC	secondary air injection map sensor
A2EAA	without USB
A2EAB	USB
A3RAA	without deployable bonnet
A3RAB	deployable bonnet
ADJ_BOL	adjustable bolster
B3MAB	heated front screen
BDAAD	power rear sunblind
BPW	brake pad wear
BSBAF	electrochromic interior mirror
BSHDF	fold back mirrors
BY1AA	without heated seats
BY1AC	heated seats
BY1AD	heated & cooled seats
BYPAM	10way drivers seat movement
BYPAN	16way drivers seat movement
BYQAH	12way passengers seat movement
BYRAA	without programmable drivers seat
BYRAB	programmable drivers seat
CBAAB	power door locks
CBAAD	power dead locks
CBGAG	keyless entry
CBGAJ	without keyless entry
CFKAB	headlamp washer
CHAAL	power tilt/slide sunroof
CP5AB	beltminder
CP5AC	occupancy sensing
D19AA	without TPMS
D19AB	TPMS
DR_B	LHD
DR_D	RHD
DWMAA	without ADRC
DWMAB	ADRC
DWMAC	Continuously variable damping

USING THIS PUBLICATION

Cct	Vehicle Option or Feature
EGJAE	without electronic differential
EGJAL	electronic differential
EM_N	ULEV 2 requirements
EN_A5	2.7L diesel engine
EN_AJ	4.2L PV8NA engine
EN_AK	4.2L PV8SC engine
EN_RX	5.0L PV8NA engine
EN_RY	5.0L PV8SC engine
EN_SU	3.0 DV6 engine
EN_WD	3.0 PV6 engine
G1DAA	without smog sensor
G1DAB	smog sensor
GRBAA	without steering column lock
GRBAB	steering column lock
GTBAA	without heated steering wheel
GTBAB	heated steering wheel
GTDAB	speed control
GTDAD	adaptive stop/go speed control
HKCAA	without navigation
HKCAB	navigation
HKCAD	traffic master
HKCAF	VICS
HLLAA	without blindspot monitoring
HLLAC	blindspot monitoring
HNHAB	battery backed security siren
HNHAC	passive sounder
HNLAB	front parking aid
IBUAB	bluetooth phone
IBYAB	analog audio
IBYAC	digital audio
IBYAD	satellite digital audio
IBYAH	IBOC
IDAAA	standard ice
IDAAB	premium ice
IDAAR	hi line ice
IESAA	without television
IESAB	television
IF9AB	voice activated controls
J3GAA	without electronic road pricing
J3GAB	electronic road pricing
J3KAA	without park aid camera
J3KAB	park aid camera
JBBAB	halogen headlamps
JBBAC	hid headlamps
JEAAC	automatic headlamp leveling
NO_EN_AK	without 4.2L SC engine
NO_HD	without IBOC
NO_OCS	without occupant classification system
NO_SAIMAP	without secondary air injection map sensor
NO_TMC	without TMC
NO_VICS	without VICS

USING THIS PUBLICATION

Component Depictions

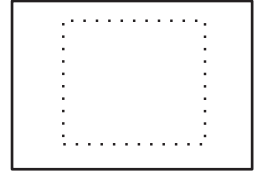
Example:



1.



2.



3.

1. Complete Components and Control Modules
2. Incomplete Components
3. Components with Internal Electronic Components

- ABS module 5, 6, 89, 99, 112, 158, 202
- Accelerometer-Front left 2
- Accelerometer-Front right 2
- Accelerometer-Rear left 2
- Actuator-EGR-Bank 1 21
- Actuator-EGR-Bank 2 21
- Actuator-Hood latch-LH 207
- Actuator-Hood latch-RH 207
- Actuator-Rear differential 3
- Actuator-Vane VGT 21
- Air bag-Side curtain-LH 204, 205
- Air bag-Side curtain-RH 204, 205
- Air bag-Side-Driver 204, 205
- Air bag-Side-Passenger 204, 205
- Air Conditioning (A/C) compressor Solenoid 45
- AM/FM diversity antenna amplifier 127, 128, 132, 135, 136, 169
- Amplifier-Audio 105, 121, 128, 129, 131
- Antenna-DAB 135
- Antenna-LF-Rear-External 193
- Antenna-LF-Rear-Internal 168
- Antenna-Triple TV 137
- Antenna-TV 137
- Antenna-VICS 169
- Assembly-Climate-Seat backrest-Driver 185, 186
- Assembly-Climate-Seat backrest-Passenger 185, 186
- Assembly-Climate-Seat cushion-Driver 185, 186
- Assembly-Climate-Seat cushion-Passenger 185, 186
- Assembly-Steering column 8, 75, 115
- Camera-Rear view 80, 107, 109, 120
- Capacitor 47
- Center console antenna-Front 168
- Center console antenna-Rear 168
- Center speaker 129
- Cigar lighter-Front 89, 101, 119, 149, 191
- Clock spring 7, 65, 66, 67, 89, 99, 101, 109, 115, 127, 128, 149, 167, 204, 205
- Clutch-Compressor-Air-conditioning (A/C) 16, 72
- Connector-MOST diagnostic 161
- Connector-Road pricing 95, 104, 116, 191
- Console-Portable audio interface 133, 134
- Control Unit-Cooling Fan 9, 10, 11, 85, 86, 87, 91, 111
- Cruise controls-Remote 7, 65, 66, 67, 149
- Diagnostic Connector 5, 6, 82, 83, 84, 93, 115, 151, 156, 159, 160
- Downshift paddle switch 7
- Driver seat module 94, 117, 152, 154, 177, 178, 181, 182, 187
- Drivers seat height motor 177, 178, 179, 181, 182, 183
- ECU-Glow plug 26, 91
- Front Tweeter-LH 129, 130, 131
- Front Tweeter-RH 129, 130, 131
- Fuel injector-No.1 24, 32, 39, 48
- Fuel injector-No.2 24, 32, 39, 48
- Fuel injector-No.3 24, 32, 39, 48
- Fuel injector-No.4 24, 32, 39, 48
- Fuel injector-No.5 24, 32, 39, 48
- Fuel injector-No.6 24, 32, 39, 48
- Fuel injector-No.7 39, 48
- Fuel injector-No.8 39, 48
- Fuel tank-Diesel 64, 106, 107, 109, 119
- Fuel Tank-Petrol 62, 63, 107, 109
- Generator 16, 45, 82, 83, 84, 123, 124, 125, 126
- Glow plug 26
- GPS antenna 169
- Handle-Driver door 116, 192, 193, 195
- Handle-Passenger door 116, 192, 193, 195
- Headlamp-LH 90, 102, 108, 111, 112, 138, 139, 140, 141, 143
- Headlamp-RH 90, 102, 108, 111, 112, 138, 139, 140, 143
- Heated rear window (HRW) 106
- Heater-Block 111
- Heater-Electric booster 70, 84
- Heater-Seat backrest-Driver 117, 176
- Heater-Seat backrest-Passenger 118, 176
- Heater-Seat cushion-Driver 96, 100, 103, 176
- Heater-Seat cushion-Passenger 96, 100, 103, 176
- Heater-Steering wheel 7, 176
- Hood ajar switch 98, 111, 166
- Horn (s) 89, 111, 167
- Ignition coil-1 31, 40, 47
- Ignition coil-2 31, 40, 47
- Ignition coil-3 31, 40, 47
- Ignition coil-4 31, 40, 47
- Ignition coil-5 31, 40, 47
- Ignition coil-6 31, 40, 47
- Ignition coil-7 40, 47
- Ignition coil-8 40, 47
- Ignition coils 86, 87, 90
- Information and entertainment control module 105, 115, 127, 128, 151, 161
- Initiator-Front-LH 1
- Initiator-Front-RH 1
- Initiator-Rear-LH 1
- Initiator-Rear-RH 1
- Injectors 86, 87
- Instrument cluster 8, 65, 66, 67, 68, 69, 75, 76, 77, 82, 83, 84, 90, 93, 97, 115, 140, 143, 144, 145, 148, 149, 151, 156, 165, 168, 200, 201, 203
- Integrated audio module 105, 115, 127, 128, 130, 133, 161, 170
- Integrated control panel 78, 94, 115, 151
- Ipod connector 134
- Keyless vehicle module 93, 102, 110, 121, 153, 155, 165, 168, 192, 193, 195, 196, 200
- Lamp-Daylight running-LH 141
- Lamp-Daylight running-RH 141
- Lamp-Door sill-Front-LH 150
- Lamp-Door sill-Front-RH 150
- Lamp-Fog-Rear-LH 108, 120, 145
- Lamp-Fog-Rear-RH 108, 120, 145
- Lamp-Footwell-Front-LH 95, 109, 146
- Lamp-Footwell-Front-RH 95, 109, 146
- Lamp-Glove compartment 95, 146
- Lamp-High mounted stop 108, 119, 142
- Lamp-Interior-Rear 95, 109, 119, 146
- Lamp-Luggage compartment 108, 120, 147
- Lamp-number plate and switch-Luggage compartment lid release 108, 110, 120, 140, 200
- Lamp-Sun visor-LH 95, 119, 146
- Lamp-Sun visor-RH 95, 119, 146
- Latch-Glove compartment 101, 115, 171
- LED-Ambient-Door-Driver 148
- LED-Ambient-Door-Passenger 148
- LED-Door handle-Front-LH 101, 116
- LED-Door handle-Front-RH 101, 116
- LH rear door handle module 193, 196
- LH rear door latch module 98, 119, 146, 166, 196, 198, 199
- LH rear surround sound speaker 129
- Liftgate Latch/Luggage Compartment Lid Latch 98, 108, 120, 147, 166, 200
- Megafuse-Electric booster heater 70, 84
- Mirror-Door-Driver side 74, 144, 147, 172, 173, 174, 175
- Mirror-Door-Passenger side 74, 144, 147, 172, 173, 174, 175

- Mirror-Interior 99, 101, 119, 173
- Module-Heated steering wheel 7, 176
- Module-Navigation system 105, 121, 169
- Module-Parking aid 79, 81, 109, 120, 153, 155
- Module-Speed control 68, 89, 99, 115, 156
- Module-Air bag--Driver 7, 204, 205
- Module-Air bag-Passenger 204, 205
- Module-Blind spot monitoring-LH 109, 120, 153, 155, 174, 175
- Module-Blind spot monitoring-RH 109, 119, 120, 153, 155, 174, 175
- Module-Blower-motor control-Front 69, 116
- Module-Climate Control 69, 70, 71, 72, 91, 93, 115, 151
- Module-Climate-controlled seat 93, 99, 119, 152, 154, 185, 186
- Module-Damping-Continuously variable 2, 95, 119, 157
- Module-Door latch-Driver 98, 116, 116, 146, 166, 192, 194, 195, 197
- Module-Door latch-Passenger 98, 116, 116, 146, 166, 192, 194, 195, 197
- Module-Driver door 74, 104, 116, 144, 147, 152, 154, 166, 172, 174, 175, 177, 178, 181, 182, 189, 190, 194, 197, 198, 199
- Module-Fuel-pump driver 62, 63, 94, 106, 119
- Module-Glove compartment control 95, 97, 115, 171
- Module-Headlamp control 90, 112, 139, 158
- Module-IBOC Radio 105, 121, 136
- Module-Lamp-Daylight running 141
- Module-Parking brake 4, 93, 99, 104, 120, 157
- Module-Passenger door 74, 104, 116, 144, 147, 152, 154, 166, 172, 174, 175, 189, 190, 194, 197, 198, 199
- Module-Portable audio interface 105, 119, 133, 134, 162
- Module-Rear door-LH 93, 119, 166, 190, 198, 199
- Module-Rear door-RH 93, 119, 166, 190, 198, 199
- Module-SDARS 105, 119, 135
- Module-Seat-occupancy 106, 118, 157, 203
- Module-steering column locking 102, 109, 156, 165
- Module-Telephone 105, 119, 170
- Module-Tire pressure monitoring system 1, 99, 104, 119, 152, 154
- Module-Transmission shift 4, 12, 13, 14, 15, 58, 59, 60, 61, 89, 97, 99, 102, 103, 110, 119, 157, 168
- Module-Tuner-DAB 135
- Motor-Air distribution-Feet 70
- Motor-Blower 69, 106
- Motor-Head restraint 177, 180, 181, 184
- Motor-LH inner register 70, 115
- Motor-LH outer register 70, 115
- Motor-Mode-Air-mix-LH 70
- Motor-Mode-Air-mix-RH 70
- Motor-Recirculated air 70
- Motor-Release-Fuel flap 108, 110, 120, 200
- Motor-RH inner register 70, 115
- Motor-RH outer register 70, 115
- Motor-Seat-Tilt-Driver 177, 178, 179, 181, 182, 183
- Motor-Seat-Tilt-Passenger 180, 184
- Motor-Seat-Cushion extension-Driver 177, 181
- Motor-Seat-Forward rearward-Driver 177, 178, 179, 181, 182, 183
- Motor-Seat-Forward rearward-Passenger 180, 184
- Motor-Seat-Recline-Driver 177, 178, 179, 181, 182, 183
- Motor-Seat-Recline-Passenger 180, 184
- Motor-Sun blind 95, 119, 202
- Motor-Throttle 29, 38
- Motor-Window-Passenger 189
- Motor-Window-Rear-LH 190
- Motor-Window-Rear-RH 190
- Motor-Window-Driver 189
- Motor-Wiper-Windscreen 92, 97, 112, 201
- Overhead console 79, 81, 95, 96, 98, 100, 101, 102, 109, 116, 146, 148, 165, 170, 202, 203
- Parking Brake Actuator 4
- Passenger door switch pack 189
- Passenger seat height motor 180, 184
- Passive-sounder 102, 112, 167
- Pedestrian protection module 106, 158, 207
- Pedestrian protection accelerometer-LH 207
- Pedestrian protection accelerometer-RH 207
- Pre-tensioner-Driver 203
- Pre-tensioner-Passenger 203
- Pump 1-High pressure fuel 49
- Pump 2-High pressure fuel 49
- Pump-Aircon water-Diesel 71, 111
- Pump-Aircon water-Petrol 71, 111
- Pump-Auxiliary coolant 100
- Pump-Auxiliary coolant - DV6 100
- Pump-Lumbar-Driver 117, 117, 177, 178, 179, 181, 182, 183, 187
- Pump-Lumbar-Passenger 118, 118, 180, 184, 188
- Pump-Power wash 92, 112, 201
- Pump-Washer-Windscreen 100, 112, 201
- Purge control valve 30, 39, 48, 86, 87
- Rear differential control module 3, 157
- Rear window heater element 74
- Receiver-Radio-frequency (RF) 93, 119, 165, 168, 192, 193, 195, 196
- Receiver-Television 105, 121, 137
- Receiver-Tire-pressure monitoring 1, 104, 119
- Refrigerant solenoid valve 16, 72
- Relay-Transit 82, 83, 84, 120
- Restraints Control Module (RCM) 62, 63, 64, 106, 110, 115, 157, 203, 204, 205, 206
- RF filter 74
- RF filter (with TV installed grounds through fixing) 74
- RH rear door handle module 119, 193, 196
- RH rear door latch module 98, 119, 146, 166, 196, 198, 199
- RH rear surround sound speaker 129
- Roof opening panel control module 5, 6, 93, 96, 101, 116, 202
- Screen air distribution door motor 70
- SDARS antenna 135
- Secondary Air Injection (SAI) pump 34, 41, 88, 111
- Sensor 1-Engine coolant temperature (ECT) - PV8 52
- Sensor 2-Engine coolant temperature (ECT)-PV8 52
- Sensor-Engine coolant-level-PV8_5L 77, 111
- Sensor-Outlet temperature-Fixed turbocharger 28
- Sensor-Sunlight 69, 77, 165
- Sensor-Air quality 69, 99, 111
- Sensor-ambient air temperature (part of LH door mirror assembly) 19, 29, 38, 50
- Sensor-Boost air pressure 22
- Sensor-Camshaft position-Bank 1-Inlet 54
- Sensor-Camshaft position-Bank 1-Outlet 54
- Sensor-Camshaft position-Bank 2-Inlet 54
- Sensor-Camshaft position-Bank 2-Outlet 54
- Sensor-Camshaft-position (CMP) 20
- Sensor-Camshaft-position (CMP)-bank 1 35, 42
- Sensor-Camshaft-position (CMP)-bank 2 35, 42
- Sensor-Crankshaft-position (CKP) 20, 35, 42, 54
- Sensor-Differential pressure 18, 28
- Sensor-Driver-seat track 117, 203
- Sensor-DSC 5
- Sensor-Engine coolant-level 77, 111
- Sensor-Engine coolant-temperature (ECT) 36, 43
- Sensor-Engine coolant temperature (ECT) - DV6 20

- Sensor-Engine coolant-level - DV6 77, 111
- Sensor-Evaporator 70
- Sensor-Front impact-Driver side 204, 205
- Sensor-Front impact-Passenger side 204, 205
- Sensor-Fuel rail-pressure 53
- Sensor-Height-Front-LH 2
- Sensor-Height-Front-RH 2, 139
- Sensor-Height-Rear-LH 2
- Sensor-Height-Rear-RH 2, 139
- Sensor-Knock-Bank 1 35
- Sensor-Knock-Bank 1-Front 51
- Sensor-Knock-Bank 1-Rear 51
- Sensor-Knock-Bank 2 35
- Sensor-Knock-Bank 2-Front 51
- Sensor-Knock-Bank 2-Rear 51
- Sensor-Low fuel-pressure 50
- Sensor-Low pressure fuel 53
- Sensor-Low washer-fluid level 97, 112, 201
- Sensor-MAF/IAT-Bank 1 27, 51, 91
- Sensor-MAF/IAT-Bank 2 27, 51, 91
- Sensor-Manifold Absolute-Pressure (MAP) 21, 53
- Sensor-MAP-Secondary air injection (SAI) 41
- Sensor-Mass air-flow (MAF) 36, 43, 86, 87
- Sensor-Oil temperature-level 22, 51
- Sensor-Oil-temperature 35, 42
- Sensor-Oxygen-Pre catalyst 28
- Sensor-Oxygen-Even-Post catalyst 37, 44, 56
- Sensor-Oxygen-Even-Pre-catalyst 37, 44, 56
- Sensor-Oxygen-Odd-Post catalyst 37, 44, 56, 88
- Sensor-Oxygen-Odd-Pre-catalyst 37, 44, 56, 88
- Sensor-Pad wear-Front-LH 76
- Sensor-Pad wear-Rear-RH 76
- Sensor-Parking aid-Inner-Front-LH 79
- Sensor-Parking aid-Inner-Front-RH 79
- Sensor-Parking aid-Inner-Rear-LH 81
- Sensor-Parking aid-Inner-Rear-RH 81
- Sensor-Parking aid-Outer-Front-LH 79
- Sensor-Parking aid-Outer-Front-RH 79
- Sensor-Parking aid-Outer-Rear-LH 81
- Sensor-Parking aid-Outer-Rear-RH 81
- Sensor-Position-Accelerator pedal 19, 29, 38, 50
- Sensor-Pressure-Fuel rail 20, 35, 42
- Sensor-Pressure-mat 118, 203
- Sensor-Pressure-Refrigerant 69
- Sensor-Rain-Ambient light 96, 101, 140, 201
- Sensor-Safety belt tension 203
- Sensor-Seat position-Passenger 118, 203
- Sensor-Seat-occupant classification 203
- Sensor-Side impact-Driver door 204, 205
- Sensor-Side impact-LH side-Rear 204, 205
- Sensor-Side impact-Passenger door 204, 205
- Sensor-Side impact-RH side-Rear 204, 205
- Sensor-Steering-angle 5, 6, 99
- Sensor-Temperature and Manifold-Absolute Pressure (TMAP) 35, 42, 53
- Sensor-Temperature-Air charge 17, 20
- Sensor-Temperature-Differential oil 3
- Sensor-Temperature-DPF-Intake 28
- Sensor-Temperature-DPF-Outlet 28
- Sensor-Temperature-Fuel rail 35, 42
- Sensor-Temperature-In-car 69, 99, 115
- Sensor-Temperature-Catalytic converter-Downstream 28
- Sensor-Temperature-Catalytic converter-Upstream 28
- Sensor-Temperature-fuel 20
- Sensor-Throttle-position (TP) 21
- Sensor-Tire-Front-LH 1
- Sensor-Tire-Front-RH 1
- Sensor-Tire-Rear-LH 1
- Sensor-Tire-Rear-RH 1
- Sensor-twin knock 42
- Sensor-Valve position-Turbine intake 22
- Sensor-Yaw Rate 5, 6, 99, 119
- Slip rings-Steering wheel 7, 100, 115, 176
- Socket-Accessory-Front 95, 119, 191
- Socket-Accessory-Rear 95
- Socket-auxiliary-trailer 104, 191
- Solenoid-EGR cooling bypass 25
- Solenoid-Manifold intake tuning or symposer 48
- Solenoid-Turbine intake 25
- Solenoid-Boost air 25
- Solenoid-Boost air recirculation 25
- Solenoid-Camshaft profile switching-bank 1 48
- Solenoid-Camshaft profile switching-bank 2 48
- Solenoid-Damper-Front-LH 2
- Solenoid-Damper-Front-RH 2
- Solenoid-Damper-Rear-LH 2
- Solenoid-Damper Rear-RH 2
- Solenoid-Lumbar-pump 118, 177, 181, 188
- Solenoid-Power steering 76
- Solenoid-Seat bolster-Driver 117, 187
- Solenoid-Seat bolster-Passenger 118, 188
- Solenoid-Vacuum (SAI) 34, 41, 88, 89
- Solenoid-VVT-Bank 1-Exhaust 48
- Solenoid-VVT-Bank 1-Intake 48
- Solenoid-VVT-Bank 2-Intake 48
- Solenoid-VVT-Bank 2-Exhaust 48
- Sounder-Battery backed plus tilt sensor 96, 102, 167
- Speaker-Low range-Front door-LH 129, 130, 131
- Speaker-Low range-Front door-RH 129, 130, 131
- Speaker-Low range-Rear door-LH 129, 130, 131
- Speaker-Low range-Rear door-RH 129, 130, 131
- Speaker-Mid range-Front door-LH 129
- Speaker-Mid range-Front door-RH 129
- Speaker-Subwoofer 129, 131
- Speed control sensor 68, 89, 99, 111
- Start control unit 76, 82, 83, 84, 93, 115, 168
- Starter motor 12, 13, 14, 15, 16, 45, 82, 83, 83, 84, 90, 123, 124, 125, 126
- Stepper Motor-EGR 39, 86
- Super charger coolant pump 57, 85, 111
- Suppressor-Ignition-coil 31, 40
- Switch pack-Center Instrument panel 78, 94, 98, 101, 109, 110, 115, 143, 144, 149
- Switch pack-Seat-Driver 94, 94, 117, 117, 177, 178, 179, 181, 182, 183, 187
- Switch pack-Seat-Passenger 94, 118, 180, 184, 188
- Switch pack-Mirror-window-Driver 94, 116, 172, 189
- Switch-Auxiliary lighting 68, 75, 90, 101, 112, 115, 138, 145, 148, 149, 200
- Switch-Brake pedal 4, 65, 66, 67, 93, 97, 99, 110, 112, 142
- Switch-Brake-fluid level 76
- Switch-Buckle-Driver 117, 203
- Switch-Buckle-Passenger 118, 203
- Switch-Glove-compartment 115, 146
- Switch-Horn-LH 7, 167
- Switch-Horn-RH 7, 167
- Switch-Oil pressure 16, 76
- Switch-Passenger air bag disable (dealer installation) 115, 206
- Switch-Remote-ICE 7, 65, 66, 67, 127, 128, 149, 167
- Switch-Seat memory-Driver 116, 177, 178, 181, 182
- Switch-Steering column adjustment 8, 75
- Switch-Steering column-Lighting 75, 140, 143, 144, 145
- Switch-Steering column-Wiper 75, 201
- Switch-Window-Rear-LH 190
- Switch-Window-Rear-RH 190

Tail lamp unit-LH 108, 120, 140, 142, 143
Tail lamp unit-RH 108, 120, 140, 142, 143
TCM and Control Valve Body 16, 58, 59, 60, 61, 89, 99,
113, 114, 159, 160
Touch screen display 80, 105, 115, 137, 161, 169, 176,
185, 186
Transmission control module 45
Tweeter-Rear-LH 129, 130, 131
Tweeter-Rear-RH 129, 130, 131
Unit-Electric throttle 54
Unit-Leak detection 62, 63, 85, 86, 87
Upshift paddle switch 7
Valve-Control-Fuel pressure 24
Valve-Control-Fuel volume 24
Valve-Inlet manifold tuning bank 1 33, 87
Valve-Inlet manifold tuning bank 2 33, 87
Valve-Oil-Variable-valve timing 86, 86, 87, 87
Variable Camshaft Timing (VCT) Unit-Bank 1 30, 39
Variable Camshaft Timing (VCT) Unit-Bank 2 30, 39
Water in fuel sensor 64, 91
Wheel speed sensor-LH front 5, 6
Wheel speed sensor-LH rear 5, 6
Wheel speed sensor-RH front 5, 6
Wheel speed sensor-RH rear 5, 6
Windshield LH heater element 73, 92, 116
Windshield RH heater element 73, 92, 116

Connector	Description	Color	Cav	Location	Harness
C11-A	Engine harness to knock sensor link harness	Black	12	Top of engine - RH side	ENGINE PETROL AJ133 N/A
C11-A	Engine harness to knock sensor link harness	Black	12	Top of engine - RH side	ENGINE PETROL AJ133 S/C
C11-A	Knock sensor link harness to engine harness	Black	12	Top of engine - RH side	KNOCK SENSORS PETROL
C11-A	Engine harness to engine compartment harness	Black	42	Top of engine - RH side	ENGINE DIESEL 3.0L
C11-B	Engine harness to link harness	Black	16	Rear RH side of engine compartment	ENGINE DIESEL 3.0L
C11-B	Link harness to engine compartment harness	Dark grey	6	Rear LH side of engine compartment	ANTI THEFT SOUNDER
C11-B	Engine compartment harness to link harness	Black	6	Rear LH side of engine compartment	ENGINE COMPARTMENT LH
C11-B	Engine compartment harness to link harness	Black	6	Rear LH side of engine compartment	ENGINE COMPARTMENT RH
C11-C	Engine harness to transmission harness	Black	12	Lower rear of engine - center	ENGINE DIESEL 3.0L
C11-E	Engine compartment harness to bumper harness	Black	10	Behind LH front wheel arch liner	ENGINE COMPARTMENT LH
C11-E	Engine compartment harness to bumper harness	Black	10	Behind LH front wheel arch liner	ENGINE COMPARTMENT RH
C11-E	Bumper harness to engine compartment harness	Black	10	Behind LH front wheel arch liner	BUMPER FRONT
C11-F	Cooling fan harness to engine compartment harness	Black	10	Behind RH side of front bumper	HARNES
C11-G	Cooling fan harness to engine compartment harness	Dark grey	4	Behind RH side of front bumper	HARNES
C11-G	Link harness to engine compartment harness	Dark grey	4	Behind RH side of front bumper	COOLING PACK DIESEL
C11-G	Engine compartment harness to link harness	Dark grey	4	Behind RH side of front bumper	ENGINE COMPARTMENT LH
C11-G	Engine compartment harness to link harness	Dark grey	4	Behind RH side of front bumper	ENGINE COMPARTMENT RH
C11-H	Link-Glow-plug	Black	3	Top of engine - LH side	ENGINE COMPARTMENT LH
C11-H	Link-Glow-plug	Black	3	Top of engine - LH side	ENGINE COMPARTMENT RH
C11-H	Link-Glow-plug	Black	3	Top of engine - LH side	GLOWPLUG LINK
C11-J	Link-Glow-plug	Black	3	Top of engine - RH side	ENGINE COMPARTMENT LH
C11-J	Link-Glow-plug	Black	3	Top of engine - RH side	ENGINE COMPARTMENT RH
C11-J	Link-Glow-plug	Black	3	Top of engine - RH side	GLOWPLUG LINK
C11-M	Transmission harness to engine harness	Black	12	Gearbox - front	GEARBOX AUTO DIESEL 3.0L
C11-N	Transmission harness to engine harness	Black	16	Gearbox - front	GEARBOX AUTO DIESEL 3.0L
C11-P	Engine harness to engine compartment harness	Black	42	Passenger side of engine compartment	ENGINE PETROL AJ133 N/A
C11-P	Engine harness to engine compartment harness	Black	42	Passenger side of engine compartment	ENGINE PETROL AJ133 S/C
C11-P	Engine compartment harness to engine harness	Black	42	Rear RH side of engine compartment	ENGINE COMPARTMENT LH
C11-P	Engine compartment harness to engine harness	Black	42	Rear LH side of engine compartment	ENGINE COMPARTMENT RH
C11-P	Engine harness to engine compartment harness	Black	42	Passenger side of engine compartment	ENGINE PETROL V8 N/A
C11-P	Engine harness to engine compartment harness	Black	42	Passenger side of engine compartment	ENGINE PETROL V6
C11-R	Engine compartment harness to cooling fan harness	Black	6	Behind RH side of front bumper	ENGINE COMPARTMENT RH
C11-R	Cooling fan harness to engine compartment harness	Black	6	Behind RH side of front bumper	COOLING FAN DIESEL
C11-R	Cooling fan harness to engine compartment harness	Black	6	Behind RH side of front bumper	COOLING FAN PETROL
C11-R	Engine compartment harness to cooling fan harness	Black	6	Behind RH side of front bumper	ENGINE COMPARTMENT LH
C11-R	Cooling fan harness to engine compartment harness	Black	6	Behind RH side of front bumper	COOLING PACK PETROL
C12-A	Instrument panel harness to engine compartment harness	Grey	20	Base of RH 'A' post	INSTRUMENT PANEL LHD
C12-A	Engine compartment harness to instrument panel harness	Grey	20	Base of RH 'A' post	ENGINE COMPARTMENT LH
C12-A	Instrument panel harness to engine compartment harness	Grey	20	Base of RH 'A' post	INSTRUMENT PANEL RHD
C12-A	Engine compartment harness to instrument panel harness	Grey	20	Base of RH 'A' post	ENGINE COMPARTMENT RH

Connector	Description	Color	Cav	Location	Harness
C12-B	Instrument panel harness to engine compartment harness	Green	16	Base of RH 'A' post	INSTRUMENT PANEL LHD
C12-B	Engine compartment harness to instrument panel harness	Green	16	Base of RH 'A' post	ENGINE COMPARTMENT LH
C12-B	Instrument panel harness to engine compartment harness	Green	16	Base of RH 'A' post	INSTRUMENT PANEL RHD
C12-B	Engine compartment harness to instrument panel harness	Green	16	Base of RH 'A' post	ENGINE COMPARTMENT RH
C12-D	Air conditioning (A/C) harness to instrument panel harness	Light grey	2	Behind center of instrument panel	ATC LHD
C12-D	Instrument panel harness to A/C harness	Light grey	2	Behind center of instrument panel	INSTRUMENT PANEL LHD
C12-D	Air conditioning (A/C) harness to instrument panel harness	Light grey	2	Behind center of instrument panel	ATC RHD
C12-D	Instrument panel harness to A/C harness	Light grey	2	Behind center of instrument panel	INSTRUMENT PANEL RHD
C13-A	Engine compartment harness to main harness	Black	20	RH 'A' post	ENGINE COMPARTMENT LH
C13-A	Engine compartment harness to main harness	Black	20	RH 'A' post	ENGINE COMPARTMENT RH
C13-A	Main harness to engine compartment harness	Black	20	RH 'A' post	CABIN LH
C13-A	Main harness to engine compartment harness	Black	20	RH 'A' post	CABIN RH
C13-B	Engine compartment harness to main harness	Black	20	Base of LH 'A' post	ENGINE COMPARTMENT LH
C13-B	Main harness to engine compartment harness	Black	20	Base of LH 'A' post	CABIN LH
C13-B	Engine compartment harness to main harness	Black	20	Base of LH 'A' post	ENGINE COMPARTMENT RH
C13-B	Main harness to engine compartment harness	Black	20	Base of LH 'A' post	CABIN RH
C13-C	Engine compartment harness to main harness	Blue	16	LH 'A' post	ENGINE COMPARTMENT RH
C13-C	Main harness to engine compartment harness	Blue	16	LH 'A' post	CABIN RH
C13-C	Main harness to engine compartment harness	Blue	16	RH 'A' post	CABIN LH
C13-C	Engine compartment harness to main harness	Black	20	RH 'A' post	ENGINE COMPARTMENT LH
C13-D	Engine compartment harness to main harness	Light grey	14	RH 'A' post	ENGINE COMPARTMENT LH
C13-D	Engine compartment harness to main harness	Light grey	14	RH 'A' post	ENGINE COMPARTMENT RH
C13-D	Main harness to engine compartment harness	Light grey	14	RH 'A' post	CABIN LH
C13-D	Main harness to engine compartment harness	Light grey	14	RH 'A' post	CABIN RH
C13-E	Engine compartment harness to main harness	Light grey	14	Base of LH 'A' post	ENGINE COMPARTMENT LH
C13-E	Main harness to engine compartment harness	Light grey	14	Base of LH 'A' post	CABIN LH
C13-E	Engine compartment harness to main harness	Light grey	14	Base of LH 'A' post	ENGINE COMPARTMENT RH
C13-E	Main harness to engine compartment harness	Light grey	14	Base of LH 'A' post	CABIN RH
C1A101	Valve-Control-Fuel volume - DV6	Black	2	Top of engine	ENGINE DIESEL 3.0L
C1A102	Valve-Pressure-control	Black	2	LH side of engine	ENGINE DIESEL 3.0L
C1A233	Sensor-Boost air pressure	Black	3	RH side of engine	ENGINE DIESEL 3.0L
C1BB01A	Junction-box engine		1	Beneath engine compartment fusebox	ENGINE COMPARTMENT LH
C1BB01A	Junction-box engine		1	Beneath engine compartment fusebox	ENGINE COMPARTMENT RH
C1BB01A	Junction-box engine		1	Beneath engine compartment fusebox	BATTERY CABLE THROUGH STUD LEGACY ENGINES
C1BB01B	Junction-box engine	Black	168	Beneath engine compartment fusebox	ENGINE COMPARTMENT LH
C1BB01B	Junction-box engine	Black	168	Beneath engine compartment fusebox	ENGINE COMPARTMENT RH
C1BB01C	Junction-box engine		1	Beneath engine compartment fusebox	ENGINE COMPARTMENT LH
C1BB01C	Junction-box engine		1	Beneath engine compartment fusebox	ENGINE COMPARTMENT RH
C1BB01C	Junction-box engine		1	Beneath engine compartment fusebox	BATTERY CABLE THROUGH STUD NEW ENGINES

Connector	Description	Color	Cav	Location	Harness
C1BB01D	Junction-box engine		1	Beneath engine compartment fusebox	ENGINE COMPARTMENT LH
C1BB01D	Junction-box engine		1	Beneath engine compartment fusebox	ENGINE COMPARTMENT RH BATTERY CABLE THROUGH STUD LEGACY ENGINES
C1BB01D	Junction-box engine		1	Beneath engine compartment fusebox	ENGINE COMPARTMENT LH
C1BB01E	Junction-box engine		1	Beneath engine compartment fusebox	ENGINE COMPARTMENT RH
C1BB01E	Junction-box engine		1	Beneath engine compartment fusebox	ENGINE COMPARTMENT RH
C1CA01A	Modulator-ABS	Black	38	Rear RH side of engine compartment	ENGINE COMPARTMENT LH
C1CA01A	Modulator-ABS	Black	38	Rear LH side of engine compartment	ENGINE COMPARTMENT RH
C1CA01B	ABS module	Black	38	Rear RH side of engine compartment	ENGINE COMPARTMENT LH
C1CA01B	ABS module	Black	38	Rear LH side of engine compartment	ENGINE COMPARTMENT RH
C1CA03	Wheel speed sensor-LH front	Black	2	Behind LH front wheel arch liner	ENGINE COMPARTMENT LH
C1CA03	Wheel speed sensor-LH front	Black	2	Behind LH front wheel arch liner	ENGINE COMPARTMENT RH
C1CA05	Wheel speed sensor-RH front	Black	2	Behind RH front wheel arch liner	ENGINE COMPARTMENT LH
C1CA05	Wheel speed sensor-RH front	Black	2	Behind RH front wheel arch liner	ENGINE COMPARTMENT RH
C1CA37	Sensor-Dynamic-stability control	Black	4	Rear LH side of engine compartment	ENGINE COMPARTMENT LH
C1CA37	Sensor-Dynamic-stability control	Black	4	Rear RH side of engine compartment	ENGINE COMPARTMENT RH
C1CD03	Solenoid-Damper-Front-LH	Black	2	Under bonnet, LH suspension turret	ENGINE COMPARTMENT LH
C1CD03	Solenoid-Damper-Front-LH	Black	2	Under bonnet, LH suspension turret	ENGINE COMPARTMENT RH
C1CD04	Solenoid-Damper-Front-RH	Black	2	Under bonnet, RH suspension turret	ENGINE COMPARTMENT LH
C1CD04	Solenoid-Damper-Front-RH	Black	2	Under bonnet, RH suspension turret	ENGINE COMPARTMENT RH
C1CD07	Accelerometer-Front left	Black	3	Behind LH front wheel arch liner	ENGINE COMPARTMENT LH
C1CD07	Accelerometer-Front left	Black	3	Behind LH front wheel arch liner	ENGINE COMPARTMENT RH
C1CD08	Accelerometer-Front right	Black	3	Behind RH front wheel arch liner	ENGINE COMPARTMENT LH
C1CD08	Accelerometer-Front right	Black	3	Behind RH front wheel arch liner	ENGINE COMPARTMENT RH
C1CD10	Sensor-Height-Front-LH	Black	3	Behind LH front wheel arch liner	ENGINE COMPARTMENT LH
C1CD10	Sensor-Height-Front-LH	Black	3	Behind LH front wheel arch liner	ENGINE COMPARTMENT RH
C1CD11	Sensor-Height-Front-RH	Black	6	Behind RH front wheel arch liner	ENGINE COMPARTMENT LH
C1CD11	Sensor-Height-Front-RH	Black	6	Behind RH front wheel arch liner	ENGINE COMPARTMENT RH
C1CS09A	Power steering solenoid	Natural	2	Lower RH rear of engine compartment	ENGINE COMPARTMENT RH
C1CS09A	Power steering solenoid	Natural	2	Lower LH rear of engine compartment	ENGINE COMPARTMENT LH
C1CS09B	Link harness to engine compartment harness	Black	2	Lower LH rear of engine compartment	JUMPER
C1CS09C	Power steering solenoid	Natural	2	Lower LH rear of engine compartment	JUMPER
C1D101	Starter motor - PV8		1	Lower rear of engine - RH side	STARTER V8
C1D101	Starter motor - PV8		1	Lower rear of engine - RH side	STARTER AJ133
C1D101	Starter motor - DV6		1	Lower rear of engine - RH side	STARTER 3.0L DIESEL
C1D101	Starter motor - PV6		1	Lower rear of engine - RH side	STARTER V6 BATTERY CABLE THROUGH STUD LEGACY ENGINES
C1DC11A	Stud-cable junction		1	Behind RH front wheel arch liner	ENGINE COMPARTMENT LH
C1DC11A	Stud-cable junction		1	Behind RH front wheel arch liner	ENGINE COMPARTMENT LH
C1DC11A	Stud-cable junction		1	Behind RH front wheel arch liner	ENGINE COMPARTMENT RH

Connector	Description	Color	Cav	Location	Harness
C1DC11B	Stud-cable junction		1	Behind RH front wheel arch liner	BATTERY CABLE THROUGH STUD NEW ENGINES
C1DC11B	Stud-cable junction		1	Behind RH front wheel arch liner	ENGINE COMPARTMENT LH
C1DC11B	Stud-cable junction		1	Behind RH front wheel arch liner	ENGINE COMPARTMENT RH
C1DC12A	Stud-cable junction		1	Behind RH front wheel arch liner	MEGAFUSE FUSE BOX TO DASH PETROL
C1DC12A	Stud-cable junction		1	Behind RH front wheel arch liner	MEGAFUSE FUSE BOX TO DASH DIESEL
C1DC12B	Stud-cable junction - DV6		1	Behind RH front wheel arch liner	STARTER 3.0L DIESEL
C1DC12B	Stud-cable junction - PV6		1	Behind RH front wheel arch liner	STARTER V6
C1DC12B	Stud-cable junction - PV8		1	Behind RH front wheel arch liner	STARTER V8
C1DC12B	Stud-cable junction - PV8		1	Behind RH front wheel arch liner	STARTER AJ133
C1DC14	Alternator-generator - PV8NA	Black	2	Lower rear of engine - RH side	ENGINE PETROL AJ133 N/A
C1DC14	Alternator-generator - PV8SC	Black	2	Lower rear of engine - RH side	ENGINE PETROL AJ133 S/C
C1DC16	Generator - PV8		1	RH side of engine	STARTER V8
C1DC16	Generator	Grey	10	Front RH side of engine	STARTER AJ133
C1DC16	Alternator-generator - DV6		1	RH side of engine	STARTER 3.0L DIESEL
C1DC16	Alternator-generator - DV6		1	RH side of engine	LINK STARTER/ALTERNATOR 3.0L DIESEL
C1DC16	Generator - PV6		1	RH side of engine	STARTER V6
C1DC16A	Alternator-generator - DV6		2	RH side of engine	ENGINE DIESEL 3.0L
C1DC35	Starter motor - DV6	Black	1	RH side of engine	ENGINE DIESEL 3.0L
C1DC35A	Starter motor - PV8		1	Lower rear of engine - RH side	STARTER V8
C1DC35A	Starter motor - PV8		1	Lower rear of engine - RH side	STARTER AJ133
C1DC35A	Starter motor - DV6		1	Lower rear of engine - RH side	STARTER 3.0L DIESEL
C1DC35A	Starter motor - PV6		1	Lower rear of engine - RH side	STARTER V6
C1DC35B	Starter motor - PV8		1	Lower rear of engine - RH side	STARTER V8
C1DC35B	Starter motor - DV6		1	Lower rear of engine - RH side	LINK STARTER/ALTERNATOR 3.0L DIESEL
C1E112	Solenoid-Boost air recirculation	Black	2	Lower front of engine - RH side	ENGINE DIESEL 3.0L
C1E114	Solenoid-Boost air	Black	2	Front of engine - center	ENGINE DIESEL 3.0L
C1E116A	Engine control-module (ECM) - DV6	Black	96	Passenger side of engine compartment	ENGINE DIESEL 3.0L
C1E116B	Engine control-module (ECM) - DV6	Black	58	Passenger side of engine compartment	ENGINE COMPARTMENT LH
C1E116B	Engine control-module (ECM) - DV6	Black	58	Passenger side of engine compartment	ENGINE COMPARTMENT RH
C1E117	Engine control-module (ECM) - PV8NA	Black	96	Passenger side of engine compartment	ENGINE PETROL AJ133 N/A
C1E117	Engine control-module (ECM) - PV8SC	Black	96	Passenger side of engine compartment	ENGINE PETROL AJ133 S/C
C1E117B	Engine control-module (ECM)	Black	58	Passenger side of engine compartment	ENGINE COMPARTMENT LH
C1E117B	Engine control-module (ECM)	Black	58	Passenger side of engine compartment	ENGINE COMPARTMENT RH
C1E120A	Engine control-module (ECM) - PV8	Black	58	Passenger side of engine compartment	ENGINE COMPARTMENT LH
C1E120A	Engine control-module (ECM) - PV8	Black	58	Passenger side of engine compartment	ENGINE COMPARTMENT RH
C1E135	Purge control valve - PV8NA	Grey	2	LH side of engine	ENGINE PETROL AJ133 N/A
C1E135	Purge control valve - PV8SC	Grey	2	LH side of engine	ENGINE PETROL AJ133 S/C
C1E137	Motor-Throttle - PV8NA	Black	6	Front of engine - center	ENGINE PETROL AJ133 N/A
C1E137	Motor-Throttle - PV8SC	Black	6	Front LH side of engine	ENGINE PETROL AJ133 S/C
C1E205	Fuel injector-No.1 - PV8NA	Black	2	RH side of engine	ENGINE PETROL AJ133 N/A

Connector	Description	Color	Cav	Location	Harness
C1E205	Fuel injector-No.1 - PV8SC	Black	2	RH side of engine	ENGINE PETROL AJ133 S/C
C1E205	Fuel injector-No.1 - DV6	Black	2	Top of engine - RH side	ENGINE DIESEL 3.0L
C1E206	Fuel injector-No.2 - PV8NA	Black	2	RH side of engine	ENGINE PETROL AJ133 N/A
C1E206	Fuel injector-No.2 - PV8SC	Black	2	RH side of engine	ENGINE PETROL AJ133 S/C
C1E206	Fuel injector-No.2 - DV6	Black	2	Top of engine - RH side	ENGINE DIESEL 3.0L
C1E207	Fuel injector-No.5 - PV8NA	Black	2	RH side of engine	ENGINE PETROL AJ133 N/A
C1E207	Fuel injector-No.5 - PV8SC	Black	2	RH side of engine	ENGINE PETROL AJ133 S/C
C1E207	Fuel injector-No.3 - DV6	Black	2	Top of engine - RH side	ENGINE DIESEL 3.0L
C1E208	Fuel injector-No.7 - PV8NA	Black	2	RH side of engine	ENGINE PETROL AJ133 N/A
C1E208	Fuel injector-No.7 - PV8SC	Black	2	RH side of engine	ENGINE PETROL AJ133 S/C
C1E208	Fuel injector-No.4 - DV6	Black	2	Top of engine - RH side	ENGINE DIESEL 3.0L
C1E209	Fuel injector-No.2 - PV8NA	Black	2	LH side of engine	ENGINE PETROL AJ133 N/A
C1E209	Fuel injector-No.2 - PV8SC	Black	2	LH side of engine	ENGINE PETROL AJ133 S/C
C1E209	Fuel injector-No.5 - DV6	Black	2	Top of engine - LH side	ENGINE DIESEL 3.0L
C1E210	Fuel injector-No.6 - PV8NA	Black	2	LH side of engine	ENGINE PETROL AJ133 N/A
C1E210	Fuel injector-No.6 - PV8SC	Black	2	LH side of engine	ENGINE PETROL AJ133 S/C
C1E210	Fuel injector-No.6 - DV6	Black	2	Top of engine - LH side	ENGINE DIESEL 3.0L
C1E211	Fuel injector-No.7 - PV8NA	Black	2	LH side of engine	ENGINE PETROL AJ133 N/A
C1E211	Fuel injector-No.7 - PV8SC	Black	2	LH side of engine	ENGINE PETROL AJ133 S/C
C1E212	Fuel injector-No.8 - PV8NA	Black	2	Rear LH side of engine	ENGINE PETROL AJ133 N/A
C1E212	Fuel injector-No.8 - PV8SC	Black	2	Rear LH side of engine	ENGINE PETROL AJ133 S/C
C1E303	Ignition coil-1 - PV8NA	Black	3	RH side of engine	ENGINE PETROL AJ133 N/A
C1E303	Ignition coil-1 - PV8SC	Black	3	RH side of engine	ENGINE PETROL AJ133 S/C
C1E304	Ignition coil-3 - PV8NA	Black	3	RH side of engine	ENGINE PETROL AJ133 N/A
C1E304	Ignition coil-3 - PV8SC	Black	3	RH side of engine	ENGINE PETROL AJ133 S/C
C1E305	Ignition coil-5 - PV8NA	Black	3	RH side of engine	ENGINE PETROL AJ133 N/A
C1E305	Ignition coil-5 - PV8SC	Black	3	RH side of engine	ENGINE PETROL AJ133 S/C
C1E306	Ignition coil-7 - PV8NA	Black	3	RH side of engine	ENGINE PETROL AJ133 N/A
C1E306	Ignition coil-7 - PV8SC	Black	3	RH side of engine	ENGINE PETROL AJ133 S/C
C1E307	Ignition coil-2 - PV8NA	Black	3	LH side of engine	ENGINE PETROL AJ133 N/A
C1E307	Ignition coil-2 - PV8SC	Black	3	LH side of engine	ENGINE PETROL AJ133 S/C
C1E308	Ignition coil-4 - PV8NA	Black	3	LH side of engine	ENGINE PETROL AJ133 N/A
C1E308	Ignition coil-4 - PV8SC	Black	3	LH side of engine	ENGINE PETROL AJ133 S/C
C1E309	Ignition coil-5 - PV8NA	Black	3	LH side of engine	ENGINE PETROL AJ133 N/A
C1E309	Ignition coil-6 - PV8SC	Black	3	LH side of engine	ENGINE PETROL AJ133 S/C
C1E310	Ignition coil-8 - PV8NA	Black	3	Rear LH side of engine	ENGINE PETROL AJ133 N/A
C1E310	Ignition coil-8 - PV8SC	Black	3	Rear LH side of engine	ENGINE PETROL AJ133 S/C
C1E316	Solenoid-Manifold intake tuning or symposer	Grey	2	Top of engine	KNOCK SENSORS PETROL HARNES
C1E318A	Pump-Aircon water-Petrol	Black	2	Behind radiator RH side	COOLING FAN DIESEL
C1E318A	Pump-Aircon water-Petrol	Black	2	Behind radiator RH side	

Connector	Description	Color	Cav	Location	Harness
C1E318B	Pump-Auxiliary coolant	Black	2	Behind radiator RH side	HARNES
C1E318B	Pump-Supercharge-coolant	Black	2	Behind radiator RH side	COOLING PACK PETROL
C1E318C	Pump-Aircon water-Diesel	Black	2	Behind radiator RH side	HARNES
C1E402	Secondary Air Injection (SAI) pump	Dark grey	2	Behind LH front wheel arch liner	ENGINE COMPARTMENT LH
C1E402	Secondary Air Injection (SAI) pump	Dark grey	2	Behind LH front wheel arch liner	ENGINE COMPARTMENT RH
C1E421	Sensor-Camshaft position-Bank 1-Inlet	Black	2	Front RH side of engine	ENGINE PETROL AJ133 N/A
C1E421	Sensor-Camshaft position-Bank 1-Inlet	Black	2	Front RH side of engine	ENGINE PETROL AJ133 S/C
C1E421A	Variable Camshaft Timing (VCT) Unit-Bank 1	Black	2	Front RH side of engine	ENGINE PETROL AJ133 N/A
C1E421A	Variable Camshaft Timing (VCT) Unit-Bank 1	Black	2	Front RH side of engine	ENGINE PETROL AJ133 S/C
C1E422	Variable Camshaft Timing (VCT) Unit-Bank 2	Black	2	Front LH side of engine	ENGINE PETROL AJ133 N/A
C1E422	Variable Camshaft Timing (VCT) Unit-Bank 2	Black	2	Front LH side of engine	ENGINE PETROL AJ133 S/C
C1E422A	Variable Camshaft Timing (VCT) Unit-Bank 1	Black	2	Front LH side of engine	ENGINE PETROL AJ133 N/A
C1E422A	Variable Camshaft Timing (VCT) Unit-Bank 1	Black	2	Front LH side of engine	ENGINE PETROL AJ133 S/C
C1E435	Solenoid-Turbine intake	Black	2	Front of engine - center	ENGINE DIESEL 3.0L
C1E437	Sensor-Valve position-Turbine intake	Black	3	Lower rear of engine - RH side	ENGINE DIESEL 3.0L
C1E513A	Unit-Timer-Glow-plug	Black	5	RH side of engine compartment	ENGINE COMPARTMENT LH
C1E513A	Unit-Timer-Glow-plug	Black	5	RH side of engine compartment	ENGINE COMPARTMENT RH
C1E513B	Unit-Timer-Glow-plug	Black	6	RH side of engine compartment	GLOW/PLUG LINK
C1E515	Pump-Fuel	Black	2	Lower front of engine - RH side	ENGINE PETROL AJ133 N/A
C1E515	Pump-Fuel	Black	2	Lower front of engine - RH side	ENGINE PETROL AJ133 S/C
C1E515A	Pump 1-High pressure fuel	Black	2	Lower front of engine - RH side	ENGINE PETROL AJ133 N/A
C1E515A	Pump 1-High pressure fuel	Black	2	Lower front of engine - RH side	ENGINE PETROL AJ133 S/C
C1E706	Sensor-Camshaft position-Bank 1-Inlet	Black	3	Front RH side of engine	ENGINE PETROL AJ133 N/A
C1E706	Sensor-Camshaft position-Bank 1-Inlet	Black	3	Front RH side of engine	ENGINE PETROL AJ133 S/C
C1E706	Sensor-Camshaft position-Bank 1-Inlet	Grey	3	Front RH side of engine	ENGINE DIESEL 3.0L
C1E706A	Sensor-Camshaft-position (CMP)-bank 1 - PV8NA	Black	3	Front RH side of engine	ENGINE PETROL AJ133 N/A
C1E706A	Sensor-Camshaft-position (CMP)-bank 1 - PV8SC	Black	3	Front RH side of engine	ENGINE PETROL AJ133 S/C
C1E707	Sensor-Camshaft position-Bank 2-Inlet	Black	3	Front LH side of engine	ENGINE PETROL AJ133 N/A
C1E707	Sensor-Camshaft position-Bank 2-Inlet	Black	3	Front LH side of engine	ENGINE PETROL AJ133 S/C
C1E707A	Sensor-Camshaft-position (CMP)-bank 2 - PV8NA	Black	3	Front LH side of engine	ENGINE PETROL AJ133 N/A
C1E707A	Sensor-Camshaft-position (CMP)-bank 2 - PV8SC	Black	3	Front LH side of engine	ENGINE PETROL AJ133 S/C
C1E708	Sensor-Differential pressure	Dark grey	3	Front RH side of engine compartment	ENGINE COMPARTMENT LH
C1E708	Sensor-Differential pressure	Dark grey	3	Front RH side of engine compartment	ENGINE COMPARTMENT RH
C1E708B	Sensor-Differential pressure	Dark grey	3	Above gearbox	GEARBOX AUTO DIESEL 3.0L
C1E709C	Sensor-Temperature-Catalytic converter-Downstream	Dark grey	2	LH side of gearbox	GEARBOX AUTO DIESEL 3.0L
C1E710C	Sensor-Temperature-Catalytic converter-Upstream	Black	2	LH side of gearbox	GEARBOX AUTO DIESEL 3.0L
C1E711	Sensor-Crankshaft position-(CKP)/cylinder sensor	Black	2	Lower rear of engine - LH side	ENGINE PETROL AJ133 N/A
C1E711	Sensor-Crankshaft position-(CKP)/cylinder sensor	Black	2	Lower rear of engine - LH side	ENGINE PETROL AJ133 S/C
C1E711	Sensor-Crankshaft position-(CKP)/cylinder sensor	Black	3	Lower rear of engine - LH side	ENGINE DIESEL 3.0L
C1E716	Sensor 1-Engine coolant temperature (ECT) - PV8NA	Grey	2	Rear RH side of engine	ENGINE PETROL AJ133 N/A
C1E716	Sensor 1-Engine coolant temperature (ECT) - PV8SC	Grey	2	Rear RH side of engine	ENGINE PETROL AJ133 S/C

Connector	Description	Color	Cav	Location	Harness
C1E716	Sensor 1-Engine coolant temperature (ECT) - DV6	Grey	2	Front of engine - center	ENGINE DIESEL 3.0L
C1E716A	Sensor 2-Engine coolant temperature (ECT)-PV8	Grey	2	LH side of engine compartment	ENGINE PETROL AJ133 N/A
C1E717	Sensor-Oil temperature-level	Black	3	Lower front of engine - LH side	ENGINE PETROL AJ133 N/A
C1E717	Sensor-Oil temperature-level	Black	3	Lower front of engine - LH side	ENGINE PETROL AJ133 S/C
C1E717	Sensor-Oil temperature-level	Black	3	Lower front of engine - LH side	ENGINE DIESEL 3.0L
C1E720A	Valve-EGR	Grey	6	RH side of engine	ENGINE DIESEL 3.0L
C1E720B	Valve-EGR	Grey	6	LH side of engine	ENGINE DIESEL 3.0L
C1E727	Sensor-Pressure-Fuel rail - PV8NA	Black	3	Rear RH side of engine	ENGINE PETROL AJ133 N/A
C1E727	Sensor-Pressure-Fuel rail - PV8SC	Black	3	Rear RH side of engine	ENGINE PETROL AJ133 S/C
C1E727	Sensor-Pressure-Fuel rail - DV6	Black	3	RH side of engine	ENGINE DIESEL 3.0L
C1E728	Sensor-Temperature and fuel level	Black	2	Top of engine	ENGINE DIESEL 3.0L
C1E731	Sensor-Oxygen-Odd-Post catalyst - PV8NA	Dark grey	4	RH side of gearbox	ENGINE PETROL AJ133 N/A
C1E731	Sensor-Oxygen-Odd-Post catalyst - PV8SC	Dark grey	4	RH side of gearbox	ENGINE PETROL AJ133 S/C
C1E733	Sensor-Oxygen-Even-Post catalyst - PV8NA	Dark grey	4	LH side of gearbox	ENGINE PETROL AJ133 N/A
C1E733	Sensor-Oxygen-Odd-Post catalyst - PV8SC	Dark grey	4	LH side of gearbox	ENGINE PETROL AJ133 S/C
C1E735	Sensor-Oxygen-Odd-Pre-catalyst - PV8NA	Black	4	RH side of gearbox	ENGINE PETROL AJ133 N/A
C1E735	Sensor-Oxygen-Odd-Pre-catalyst - PV8SC	Black	4	RH side of gearbox	ENGINE PETROL AJ133 S/C
C1E735B	Sensor-Temperature-Catalytic converter-Upstream	Black	6	LH side of gearbox	GEARBOX AUTO DIESEL 3.0L
C1E737	Sensor-Oxygen-Odd-Pre-catalyst - PV8NA	Black	4	LH side of gearbox	ENGINE PETROL AJ133 N/A
C1E737	Sensor-Oxygen-Odd-Pre-catalyst - PV8SC	Black	4	LH side of gearbox	ENGINE PETROL AJ133 S/C
C1E743	Solenoid-EGR cooling bypass	Black	2	Rear RH side of engine	ENGINE DIESEL 3.0L
C1E747B	Sensor-Temperature-DPF-Intake	Brown	2	RH side of gearbox	GEARBOX AUTO DIESEL 3.0L
C1E748B	Sensor-Temperature-DPF-Outlet	Dark grey	2	LH side of gearbox	GEARBOX AUTO DIESEL 3.0L
C1E752B	Sensor-Outlet temperature-Fixed turbocharger	Black	2	RH side of gearbox	GEARBOX AUTO DIESEL 3.0L
C1E801	Sensor-Knock (KS)	Black	2	Top of engine - RH side	KNOCK SENSORS PETROL
C1E802	Sensor-Knock (KS) - PV8	Black	2	Top front of engine - RH side	KNOCK SENSORS PETROL
C1E803	Sensor-Manifold Absolute-Pressure (MAP) - PV8NA	Grey	3	Front of engine - center	ENGINE PETROL AJ133 N/A
C1E803	Sensor-Manifold Absolute-Pressure (MAP) - PV8SC	Grey	3	Front of engine - center	ENGINE PETROL AJ133 S/C
C1E803	Sensor-Manifold Absolute-Pressure (MAP) - DV6	Black	3	Top of engine - RH side	ENGINE DIESEL 3.0L
C1E803B	Sensor-MAP-Secondary air injection (SAI)	Black	3	Behind LH front wheel arch liner	ENGINE COMPARTMENT LH
C1E803B	Sensor-MAP-Secondary air injection (SAI)	Black	3	Behind LH front wheel arch liner	ENGINE COMPARTMENT RH
C1E804	Sensor-Temperature and Manifold-Absolute Pressure (TMAP) - PV8SC	Black	4	Rear LH side of engine	ENGINE PETROL AJ133 S/C
C1E804	Sensor-Temperature and Manifold-Absolute Pressure (TMAP)	Black	2	Top front of engine - RH side	ENGINE DIESEL 3.0L
C1E807	Sensor-Mass air-flow (MAF) - PV8NA	Black	5	Front RH side of engine compartment	ENGINE PETROL AJ133 N/A
C1E807	Sensor-Mass air-flow (MAF) - PV8SC	Black	5	Front RH side of engine compartment	ENGINE PETROL AJ133 S/C
C1E807B	Sensor-Mass air-flow (MAF) - DV6	Black	4	Front LH side of engine compartment	ENGINE COMPARTMENT LH
C1E807B	Sensor-Mass air-flow (MAF) - DV6	Black	4	Front LH side of engine compartment	ENGINE COMPARTMENT RH
C1E808	Sensor-Mass air-flow (MAF) - PV8NA	Black	5	Front LH side of engine compartment	ENGINE PETROL AJ133 N/A
C1E808	Sensor-Mass air-flow (MAF) - PV8SC	Black	5	Front LH side of engine compartment	ENGINE PETROL AJ133 S/C
C1E808B	Sensor-Mass air-flow (MAF) - DV6	Black	4	Front LH side of engine compartment	ENGINE COMPARTMENT LH

Connector	Description	Color	Cav	Location	Harness
C1E808B	Sensor-Mass air-flow (MAF) - DV6	Black	4	Front LH side of engine compartment	ENGINE COMPARTMENT RH
C1E814B	Actuator-Vane VGT - DV6	Black	5	Lower rear of engine - LH side	ENGINE DIESEL 3.0L
C1E818	Unit-Electric throttle - DV6	Black	6	RH side of engine	ENGINE DIESEL 3.0L
C1E823	Water in fuel sensor	Black	3	LH side of engine compartment	ENGINE COMPARTMENT LH
C1E823	Water in fuel sensor	Black	3	LH side of engine compartment	ENGINE COMPARTMENT RH
C1E830	Sensor-Low fuel-pressure	Black	3	Behind LH front wheel arch liner	ENGINE COMPARTMENT LH
C1E830	Sensor-Low fuel-pressure	Black	3	Behind LH front wheel arch liner	ENGINE COMPARTMENT RH
C1EC01D	Engine compartment harness to cooling fan harness	Black	4	Behind RH side of front bumper	ENGINE COMPARTMENT LH
C1EC01D	Engine compartment harness to cooling fan harness	Black	4	Behind RH side of front bumper	ENGINE COMPARTMENT RH
C1EC01D	Cooling fan harness to engine compartment harness	Black	4	Behind RH side of front bumper	ENGINE COMPARTMENT RH
C1EC01E	Engine compartment harness to cooling fan harness	Black	1	Behind RH side of front bumper	COOLING FAN EARTH
C1EC01E	Engine compartment harness to cooling fan harness	Black	4	Behind RH side of front bumper	ENGINE COMPARTMENT LH
C1EC01E	Engine compartment harness to cooling fan harness	Black	4	Behind RH side of front bumper	ENGINE COMPARTMENT RH
C1ET34	Module-Transmission-control	Black	16	RH side of gearbox	ENGINE PETROL AJ133 N/A
C1ET34	Module-Transmission-control	Black	16	RH side of gearbox	ENGINE PETROL AJ133 S/C
C1H401	Air Conditioning (A/C) compressor Solenoid	Black	2	LH side of engine	ENGINE DIESEL 3.0L
C1H401A	Air Conditioning (A/C) compressor Solenoid	Black	1	LH side of engine	ENGINE DIESEL 3.0L
C1H421	Air Conditioning (A/C) compressor Solenoid	Black	2	Lower front of engine - LH side	ENGINE PETROL AJ133 N/A
C1H421	Air Conditioning (A/C) compressor Solenoid	Black	2	Lower front of engine - LH side	ENGINE PETROL AJ133 S/C
C1H433	Sensor-Pressure-Air Conditioning	Black	3	Behind LH headlamp	ENGINE COMPARTMENT LH
C1H433	Sensor-Pressure-Air Conditioning	Black	3	Behind LH headlamp	ENGINE COMPARTMENT RH
C1H454	Sensor-Air quality	Black	6	Behind the front grille	ENGINE COMPARTMENT LH
C1H454	Sensor-Air quality	Black	6	Behind the front grille	ENGINE COMPARTMENT RH
C1LF08	Headlamp-LH	Black	16	Behind LH headlamp	ENGINE COMPARTMENT LH
C1LF08	Headlamp-LH	Black	16	Behind LH headlamp	ENGINE COMPARTMENT LH
C1LF09	Headlamp-RH	Black	16	Behind RH headlamp	ENGINE COMPARTMENT RH
C1LF09	Headlamp-RH	Black	16	Behind RH headlamp	ENGINE COMPARTMENT LH
C1LF39	Module-Headlamp control	Black	18	Behind footwell trim panel - RH side	ENGINE COMPARTMENT LH
C1LF39	Module-Headlamp control	Black	18	Behind footwell trim panel - LH side	ENGINE COMPARTMENT RH
C1MC06	Sensor-Pad wear-Front	Black	2	Behind LH front wheel arch liner	ENGINE COMPARTMENT LH
C1MC06	Sensor-Pad wear-Front	Black	2	Behind LH front wheel arch liner	ENGINE COMPARTMENT RH
C1MC19	Switch-Brake-fluid level	Black	2	Rear LH side of engine compartment	ENGINE COMPARTMENT LH
C1MC19	Switch-Brake-fluid level	Black	2	Rear RH side of engine compartment	ENGINE COMPARTMENT RH
C1MC20	Sensor-Low washer-fluid level	Black	2	Behind RH front wheel arch liner	ENGINE COMPARTMENT LH
C1MC20	Sensor-Low washer-fluid level	Black	2	Behind RH front wheel arch liner	ENGINE COMPARTMENT RH
C1MC21A	Sensor-Engine coolant-level - DV6	Black	2	Behind radiator RH side	COOLING FAN DIESEL
C1MC21A	Sensor-Engine coolant-level - DV6	Black	2	Behind radiator RH side	COOLING PACK DIESEL
C1MC21A	Sensor-Engine coolant-level - PV6	Black	2	Behind radiator RH side	COOLING FAN PETROL
C1MC21A	Sensor-Engine coolant-level - PV8NA	Black	2	Behind radiator RH side	HARNES
C1MC21B	Sensor-Engine coolant-level-PV8_5L	Black	2	LH side of engine compartment	ENGINE COMPARTMENT LH
C1MC21B	Sensor-Engine coolant-level-PV8_5L	Black	2	LH side of engine compartment	ENGINE COMPARTMENT RH
C1MC24	Sensor-Oil pressure	Black	1	Top of engine	ENGINE DIESEL 3.0L

Connector	Description	Color	Cav	Location	Harness
C1MC40	Initiator-Front-LH	Black	2	Behind LH front wheel arch liner	ENGINE COMPARTMENT LH
C1MC40	Initiator-Front-LH	Black	2	Behind LH front wheel arch liner	ENGINE COMPARTMENT RH
C1MC41	Initiator-Front-RH	Black	2	Behind RH front wheel arch liner	ENGINE COMPARTMENT LH
C1MC41	Initiator-Front-RH	Black	2	Behind RH front wheel arch liner	ENGINE COMPARTMENT RH
C1MF04	Adaptive speed control sensor	Black	5	Behind center of bumper	ENGINE COMPARTMENT LH
C1MF04	Adaptive speed control sensor	Black	5	Behind center of bumper	ENGINE COMPARTMENT RH
C1MP10	Parking aid sensor-Inner-Front-LH	Black	3	Behind LH side of front bumper	BUMPER FRONT
C1MP11	Parking aid sensor-Outer-Front-LH	Black	3	Behind LH side of front bumper	BUMPER FRONT
C1MP12	Parking aid sensor-Inner-Front-RH	Black	3	Behind RH side of front bumper	BUMPER FRONT
C1MP13	Parking aid sensor-Outer-Front-RH	Black	3	Behind RH side of front bumper	BUMPER FRONT
C1PL25	Hood ajar switch	Black	2	Behind the front grille	ENGINE COMPARTMENT LH
C1PL25	Hood ajar switch	Black	2	Behind the front grille	ENGINE COMPARTMENT RH
C1PR02	Accelerometer-Front right	Black	2	Behind RH side of front bumper	BUMPER FRONT
C1R213	Sensor-Front impact-Driver side	Black	2	Behind LH headlamp	ENGINE COMPARTMENT LH
C1R213	Sensor-Front impact-Passenger side	Black	2	Behind LH headlamp	ENGINE COMPARTMENT RH
C1R214	Sensor-Front impact-Driver side	Black	2	Behind RH headlamp	ENGINE COMPARTMENT RH
C1R214	Sensor-Front impact-Passenger side	Black	2	Behind RH headlamp	ENGINE COMPARTMENT LH
C1RH02	Horn (s)	Black	2	In front of radiator	ENGINE COMPARTMENT LH
C1RH02	Horn (s)	Black	2	In front of radiator	ENGINE COMPARTMENT RH
C1RP01	Pedestrian protection accelerometer-LH	Black	2	Behind LH side of front bumper	BUMPER FRONT
C1RP04	Actuator-Hood latch-RH	Yellow	2	Rear RH side of engine compartment	ENGINE COMPARTMENT LH
C1RP04	Actuator-Hood latch-RH	Yellow	2	Rear RH side of engine compartment	ENGINE COMPARTMENT RH
C1RP05	Actuator-Hood latch-LH	Yellow	2	Rear LH side of engine compartment	ENGINE COMPARTMENT LH
C1RP05	Actuator-Hood latch-LH	Yellow	2	Rear LH side of engine compartment	ENGINE COMPARTMENT RH
C1RT02A	Passive-sounder	Red	1	Rear LH side of engine compartment	ANTI THEFT SOUNDER
C1RT02B	Passive-sounder	Red	1	Rear LH side of engine compartment	ANTI THEFT SOUNDER
C1RT16	Sounder-Battery backed	Black	3	Rear LH side of engine compartment	ANTI THEFT SOUNDER
C1RW01	Motor-Wiper-Windscreen	Black	4	Rear LH side of engine compartment	ENGINE COMPARTMENT LH
C1RW01	Motor-Wiper-Windscreen	Black	4	Rear LH side of engine compartment	ENGINE COMPARTMENT RH
C1RW14	Pump-Washer-Windscreen	Black	2	Behind RH front wheel arch liner	ENGINE COMPARTMENT LH
C1RW14	Pump-Washer-Windscreen	Black	2	Behind RH front wheel arch liner	ENGINE COMPARTMENT RH
C1RW18	Pump-Power wash	Dark grey	2	Behind RH front wheel arch liner	ENGINE COMPARTMENT LH
C1RW18	Pump-Power wash	Dark grey	2	Behind RH front wheel arch liner	ENGINE COMPARTMENT RH
C23-A	Main harness to instrument panel harness	Green	16	Behind LH side of Instrument panel	CABIN LH
C23-A	Instrument panel harness to main harness	Green	16	Behind LH side of Instrument panel	INSTRUMENT PANEL LHD
C23-A	Main harness to instrument panel harness	Green	16	Behind LH side of Instrument panel	CABIN RH
C23-A	Instrument panel harness to main harness	Green	16	Behind LH side of Instrument panel	INSTRUMENT PANEL RHD
C23-B	Main harness to link harness	Grey	4	Behind RH side of Instrument panel	CABIN LH
C23-B	Passenger air bag harness to main harness	Grey	4	Behind RH side of Instrument panel	PASSENGER AIRBAG LINK
C23-B	Main harness to link harness	Grey	4	Behind LH side of Instrument panel	CABIN RH

Connector	Description	Color	Cav	Location	Harness
C23-B	Passenger air bag harness to main harness	Grey	4	Behind LH side of Instrument panel	PASSENGER AIRBAG LINK
C23-C	Main harness to instrument panel harness	Grey	4	Behind LH side of Instrument panel	CABIN LH
C23-C	Instrument panel harness to main harness	Grey	4	Behind LH side of Instrument panel	INSTRUMENT PANEL LHD
C23-C	Main harness to instrument panel harness	Light grey	6	Behind RH side of Instrument panel	CABIN RH
C23-C	Instrument panel harness to main harness	Grey	4	Behind RH side of Instrument panel	INSTRUMENT PANEL RHD
C23-D	Main harness to instrument panel harness	Light grey	14	Behind RH side of Instrument panel	CABIN LH
C23-D	Instrument panel harness to main harness	Light grey	14	Behind RH side of Instrument panel	INSTRUMENT PANEL LHD
C23-D	Main harness to instrument panel harness	Light grey	14	Behind RH side of Instrument panel	CABIN RH
C23-D	Instrument panel harness to main harness	Light grey	14	Behind RH side of Instrument panel	INSTRUMENT PANEL RHD
C23-E	Main harness to instrument panel harness	Light grey	12	Behind LH side of Instrument panel	CABIN LH
C23-E	Instrument panel harness to main harness	Light grey	12	Behind LH side of Instrument panel	INSTRUMENT PANEL LHD
C23-E	Main harness to instrument panel harness	Light grey	12	Behind LH side of Instrument panel	CABIN RH
C23-E	Instrument panel harness to main harness	Light grey	12	Behind LH side of Instrument panel	INSTRUMENT PANEL RHD
C23-F	Instrument panel harness to main harness	Light grey	12	Behind LH side of Instrument panel	INSTRUMENT PANEL LHD
C23-F	Main harness to instrument panel harness	Light grey	1	Beneath center console	INSTRUMENT PANEL RHD
C23-F	Main harness to instrument panel harness	Light grey	1	Beneath center console	INSTRUMENT PANEL LHD
C23-F	Main harness to instrument panel harness	Light grey	1	Beneath center console	INSTRUMENT PANEL RHD
C23-G	Instrument panel harness to main harness	Light grey	1	Beneath center console	CABIN LH
C23-G	Instrument panel harness to main harness	Light grey	1	Beneath center console	CABIN RH
C23-G	Main harness to instrument panel harness	Light grey	1	Beneath center console	INSTRUMENT PANEL LHD
C23-G	Instrument panel harness to main harness	Light grey	1	Beneath center console	INSTRUMENT PANEL RHD
C23-G	Main harness to instrument panel harness	Light grey	1	Beneath center console	CABIN LH
C23-G	Main harness to instrument panel harness	Light grey	1	Beneath center console	CABIN RH
C23-H	Instrument panel harness to main harness	Light grey	2	Beneath center console	INSTRUMENT PANEL LHD
C23-H	Instrument panel harness to main harness	Light grey	2	Beneath center console	INSTRUMENT PANEL RHD
C23-H	Main harness to instrument panel harness	Light grey	1	Beneath center console	CABIN LH
C23-H	Main harness to instrument panel harness	Light grey	1	Beneath center console	CABIN RH
C23-H	Link harness to main harness	Black	2	Beneath center console	REAR LINK MOST SET
C23-J	Instrument panel harness to main harness	Black	2	Beneath center console	INSTRUMENT PANEL LHD
C23-J	Instrument panel harness to main harness	Black	2	Beneath center console	INSTRUMENT PANEL RHD
C23-J	Main harness to instrument panel harness	Black	1	Beneath center console	CABIN LH
C23-J	Main harness to instrument panel harness	Black	1	Beneath center console	CABIN RH
C23-J	Link harness to main harness	Black	2	Beneath center console	SEAT LINK MOST SET
C23-J	Link harness to main harness	Black	2	Beneath center console	MOST LOOP
C23-K	Instrument panel harness to main harness	Black	1	Beneath center console	INSTRUMENT PANEL LHD
C23-K	Instrument panel harness to main harness	Black	1	Beneath center console	INSTRUMENT PANEL RHD
C23-K	Main harness to instrument panel harness	Natural	1	Beneath center console	CABIN LH
C23-K	Main harness to instrument panel harness	Natural	1	Beneath center console	CABIN RH
C23-L	Main harness to air conditioning (A/C) harness	Natural	2	Beneath center console RH side	CABIN LH
C23-L	Main harness to air conditioning (A/C) harness	Natural	2	Beneath center console RH side	CABIN RH
C23-L	Air conditioning (A/C) harness to main harness	Natural	2	Beneath center console RH side	ATC RHD
C23-L	Air conditioning (A/C) harness to main harness	Natural	2	Beneath center console RH side	ATC LHD
C23-M	Instrument panel harness to main harness	Natural	1	Beneath center console	INSTRUMENT PANEL LHD

Connector	Description	Color	Cav	Location	Harness
C23-M	Instrument panel harness to main harness	Natural	1	Beneath center console	INSTRUMENT PANEL RHD
C23-R	Main harness to instrument panel harness	Light grey	20	Behind RH side of Instrument panel	CABIN LH
C23-R	Instrument panel harness to main harness	Natural	10	Behind RH side of Instrument panel	INSTRUMENT PANEL LHD
C23-R	Main harness to instrument panel harness	Natural	20	Behind RH side of Instrument panel	CABIN RH
C23-R	Instrument panel harness to main harness	Natural	20	Behind RH side of Instrument panel	INSTRUMENT PANEL RHD
C2CA29	Switch-Brake pedal	Natural	4	Driver footwell	ENGINE COMPARTMENT LH
C2CA29	Switch-Brake pedal	Natural	4	Driver footwell	ENGINE COMPARTMENT RH
C2CS06	Sensor-Steering-angle	Grey	4	Underside of steering column	INSTRUMENT PANEL LHD
C2CS06	Sensor-Steering-angle	Grey	4	Underside of steering column	INSTRUMENT PANEL RHD
C2DB04A	Connector-MOST diagnostic	Grey	4	Underside of steering column	INSTRUMENT PANEL LHD
C2DB04A	Connector-MOST diagnostic	Grey	4	Underside of steering column	INSTRUMENT PANEL RHD
C2DB04B	Diagnostic Connector	Black	1	Behind footwell trim panel - LH side	INSTRUMENT PANEL LHD
C2DB04B	Diagnostic Connector	Black	1	Under RH side of Instrument panel	INSTRUMENT PANEL RHD
C2DB04B	Diagnostic Connector	Black	16	Behind footwell trim panel - LH side	INSTRUMENT PANEL LHD
C2DC06	Start control unit	Grey	16	Under RH side of Instrument panel	INSTRUMENT PANEL RHD
C2DC06	Start control unit	Grey	6	Behind driver side of Instrument panel	INSTRUMENT PANEL LHD
C2DC06	Start control unit	Grey	6	Behind driver side of Instrument panel	INSTRUMENT PANEL RHD
C2E818A	Sensor-Position-Accelerator pedal	Black	6	Driver footwell	ENGINE COMPARTMENT LH
C2E818A	Sensor-Position-Accelerator pedal	Black	6	Driver footwell	ENGINE COMPARTMENT RH
C2H101A	Module-Climat Control	Natural	26	Under RH side of Instrument panel	INSTRUMENT PANEL LHD
C2H101A	Module-Climat Control	Natural	26	Under LH side of Instrument panel	INSTRUMENT PANEL RHD
C2H101C	Module-Climat Control	Natural	30	Under RH side of Instrument panel	ATC LHD
C2H101C	Module-Climat Control	Natural	30	Under LH side of Instrument panel	ATC RHD
C2H102	Module-Blower-motor control-Front	Black	5	Climate control assembly	ATC LHD
C2H102	Module-Blower-motor control-Front	Black	5	Climate control assembly	ATC RHD
C2H123	Motor-Blower	Black	2	Climate control assembly	ATC LHD
C2H123	Motor-Blower	Black	2	Climate control assembly	ATC RHD
C2H201	Motor-Air distribution-Feet	Black	6	Climate control assembly	ATC LHD
C2H201	Motor-Air distribution-Feet	Black	6	Climate control assembly	ATC RHD
C2H206	Motor-Recirculated air	Green	7	Climate control assembly	ATC LHD
C2H206	Motor-Recirculated air	Green	7	Climate control assembly	ATC RHD
C2H211	Motor-Mode-Air-mix-RH	Black	4	Climate control assembly	ATC LHD
C2H211	Motor-Mode-Air-mix-RH	Black	4	Climate control assembly	ATC RHD
C2H227	Screen air distribution door motor	Black	4	Climate control assembly	ATC LHD
C2H227	Screen air distribution door motor	Black	4	Climate control assembly	ATC RHD
C2H237	Motor-Mode-Air-mix-LH	Black	4	Climate control assembly	ATC LHD
C2H237	Motor-Mode-Air-mix-LH	Black	4	Climate control assembly	ATC RHD
C2H406	Sensor-Evaporator	Natural	2	Climate control assembly	ATC LHD
C2H406	Sensor-Evaporator	Natural	2	Climate control assembly	ATC RHD
C2H414	Sensor-Temperature-In-car	Grey	6	Behind passenger side of Instrument panel	INSTRUMENT PANEL LHD
C2H414	Sensor-Temperature-In-car	Grey	6	Behind LH side of Instrument panel	INSTRUMENT PANEL RHD
C2H415	Sensor-Sunlight	Black	6	Instrument panel - top center	INSTRUMENT PANEL LHD

Connector	Description	Color	Cav	Location	Harness
C2H415	Sensor-Sunlight	Black	6	Instrument panel - top center	INSTRUMENT PANEL RHD
C2H427	Motor-LH outer register	Black	4	Behind driver side of Instrument panel	INSTRUMENT PANEL LHD
C2H427	Motor-LH outer register	Black	4	Behind passenger side of Instrument panel	INSTRUMENT PANEL RHD
C2H428	Motor-RH inner register	Black	4	Behind passenger side of Instrument panel	INSTRUMENT PANEL LHD
C2H428	Motor-RH inner register	Black	4	Behind driver side of Instrument panel	INSTRUMENT PANEL RHD
C2H429	Motor-LH inner register	Black	4	Behind driver side of Instrument panel	INSTRUMENT PANEL LHD
C2H429	Motor-LH inner register	Black	4	Behind passenger side of Instrument panel	INSTRUMENT PANEL RHD
C2H430	Motor-RH outer register	Black	4	Behind RH side of Instrument panel	INSTRUMENT PANEL LHD
C2H430	Motor-RH outer register	Black	4	Behind driver side of Instrument panel	INSTRUMENT PANEL RHD
C2HP01A	Heater-Electric booster	Black	2	Under LH side of Instrument panel	ATC RHD
C2HP01A	Heater-Electric booster	Black	2	Under LH side of Instrument panel	ATC LHD
C2HP01B	Heater-Electric booster	Red	1	Under LH side of Instrument panel	PTC CABLE POSITIVE
C2HP01C	Heater-Electric booster	Black	1	Under LH side of Instrument panel	PTC CABLE NEGATIVE
C2LF23	Switch-Auxiliary lighting	Black	12	Behind driver side of Instrument panel	INSTRUMENT PANEL LHD
C2LF23	Switch-Auxiliary lighting	Black	12	Behind driver side of Instrument panel	INSTRUMENT PANEL RHD
C2LF27	Switch-Steering column-Lighting	Black	6	Behind steering column cowl	INSTRUMENT PANEL LHD
C2LF27	Switch-Steering column-Lighting	Black	6	Behind steering column cowl	INSTRUMENT PANEL RHD
C2LN12	Switch-Glove-compartment	Black	2	Behind glove compartment	INSTRUMENT PANEL LHD
C2LN12	Switch-Glove-compartment	Black	2	Behind glove compartment	INSTRUMENT PANEL RHD
C2LN15	Lamp-Glove compartment	Black	2	Behind glove compartment	INSTRUMENT PANEL LHD
C2LN15	Lamp-Glove compartment	Black	2	Behind glove compartment	INSTRUMENT PANEL RHD
C2LN38	Lamp-Footwell-Front-LH	Natural	2	Glove compartment - inside	INSTRUMENT PANEL LHD
C2LN38	Lamp-Footwell-Front-LH	Natural	2	Driver footwell	INSTRUMENT PANEL RHD
C2LN38	Lamp-Footwell-Front-LH	Natural	2	Behind footwell trim panel - LH side	INSTRUMENT PANEL LHD
C2LN39	Lamp-Footwell-Front-RH	Natural	2	Passenger footwell	INSTRUMENT PANEL RHD
C2LN39	Lamp-Footwell-Front-RH	Natural	2	Under RH side of Instrument panel	INSTRUMENT PANEL LHD
C2MC01A	Instrument cluster	Black	32	Behind instrument cluster	INSTRUMENT PANEL LHD
C2MC01A	Instrument cluster	Black	32	Behind instrument cluster	INSTRUMENT PANEL RHD
C2MC01B	Instrument cluster	Black	32	Behind instrument cluster	INSTRUMENT PANEL LHD
C2MC01B	Instrument cluster	Black	32	Behind instrument cluster	INSTRUMENT PANEL RHD
C2MC02A	Touch screen display	Grey	12	Behind front touch screen display	INSTRUMENT PANEL LHD
C2MC02A	Touch screen display	Grey	12	Behind front touch screen display	INSTRUMENT PANEL RHD
C2MC02B	Touch screen display		1	Behind front touch screen display	INSTRUMENT PANEL LHD
C2MC02B	Touch screen display		1	Behind front touch screen display	INSTRUMENT PANEL RHD
C2MC02C	Touch screen display		1	Behind front touch screen display	INSTRUMENT PANEL LHD
C2MC02C	Touch screen display		1	Behind front touch screen display	INSTRUMENT PANEL RHD
C2MC02D	Touch screen display		1	Behind front touch screen display	INSTRUMENT PANEL LHD
C2MC02D	Touch screen display		1	Behind front touch screen display	INSTRUMENT PANEL RHD
C2MC02E	Touch screen display		1	Behind front touch screen display	INSTRUMENT PANEL LHD
C2MC02E	Touch screen display		1	Behind front touch screen display	INSTRUMENT PANEL RHD
C2ME03A	Integrated audio module	Light grey	14	Behind front touch screen display	INSTRUMENT PANEL LHD
C2ME03A	Integrated audio module	Light grey	14	Behind front touch screen display	INSTRUMENT PANEL RHD

Connector	Description	Color	Cav	Location	Harness
C2ME03B	Integrated audio module	Grey	12	Behind front touch screen display	INSTRUMENT PANEL LHD
C2ME03B	Integrated audio module	Grey	12	Behind front touch screen display	INSTRUMENT PANEL RHD
C2ME03C	Integrated audio module		1	Behind front touch screen display	INSTRUMENT PANEL LHD
C2ME03C	Integrated audio module		1	Behind front touch screen display	INSTRUMENT PANEL RHD
C2ME03D	Integrated audio module		1	Behind front touch screen display	INSTRUMENT PANEL LHD
C2ME03D	Integrated audio module		1	Behind front touch screen display	INSTRUMENT PANEL RHD
C2ME06	Center speaker	Black	3	Instrument panel - top center	INSTRUMENT PANEL LHD
C2ME06	Center speaker	Black	3	Instrument panel - top center	INSTRUMENT PANEL RHD
C2ME14	Integrated control panel	Black	10	Behind heater control panel	INSTRUMENT PANEL LHD
C2ME14	Integrated control panel	Black	10	Behind heater control panel	INSTRUMENT PANEL RHD
C2MF01	Module-speed control	Black	10	Behind heater control panel	INSTRUMENT PANEL LHD
C2MF01	Module-speed control	Black	10	Behind heater control panel	INSTRUMENT PANEL RHD
C2MT01A	Information and entertainment control module	Beige	30	Behind driver side of Instrument panel	INSTRUMENT PANEL LHD
C2MT01A	Information and entertainment control module	Beige	30	Behind driver side of Instrument panel	INSTRUMENT PANEL RHD
C2MT01B	Information and entertainment control module	Green	10	Instrument panel-Center	INSTRUMENT PANEL LHD
C2MT01B	Information and entertainment control module	Green	10	Instrument panel-Center	INSTRUMENT PANEL RHD
C2MT01B	Information and entertainment control module		1	Instrument panel-Center	INSTRUMENT PANEL LHD
C2MT01B	Information and entertainment control module		1	Instrument panel-Center	INSTRUMENT PANEL RHD
C2MT02A	Antenna-VICS		1	LH 'A' post	CABIN LH
C2MT02A	Antenna-VICS		1	LH 'A' post	CABIN RH
C2PL22	Switch pack-Center Instrument panel	Black	10	Instrument panel-Center	INSTRUMENT PANEL LHD
C2PL22	Switch pack-Center Instrument panel	Black	10	Instrument panel-Center	INSTRUMENT PANEL RHD
C2PP03	Unit-Steering column	Black	10	Underside of steering column	INSTRUMENT PANEL LHD
C2PP03	Unit-Steering column	Black	10	Underside of steering column	INSTRUMENT PANEL RHD
C2PP11	Switch-Steering column adjustment	Black	8	Underside of steering column	INSTRUMENT PANEL LHD
C2PP11	Switch-Steering column adjustment	Black	8	Behind steering column cowl	INSTRUMENT PANEL RHD
C2PR07	Latch-Glove compartment	Black	2	Behind steering column cowl	INSTRUMENT PANEL LHD
C2PR07	Latch-Glove compartment	Black	2	Behind glove compartment	INSTRUMENT PANEL RHD
C2PR08	Module-Glove compartment control	Black	3	Behind glove compartment	INSTRUMENT PANEL LHD
C2PR08	Module-Glove compartment control	Black	3	Behind passenger side of Instrument panel	INSTRUMENT PANEL RHD
C2R103A	Passenger air bag module		1	Behind passenger air bag module	PASSENGER AIRBAG LINK
C2R103A	Passenger air bag module		2	Behind passenger air bag module	PASSENGER AIRBAG LINK
C2R103B	Passenger air bag module	Black	2	Behind passenger air bag module	PASSENGER AIRBAG LINK
C2R103B	Passenger air bag module	Black	2	Behind passenger air bag module	PASSENGER AIRBAG LINK
C2R115A	Clock spring	Natural	10	Behind steering column cowl	INSTRUMENT PANEL LHD
C2R115A	Clock spring	Natural	10	Behind steering column cowl	INSTRUMENT PANEL RHD
C2R115D	Slip rings-Steering wheel	Light grey	2	Behind steering column cowl	INSTRUMENT PANEL LHD
C2R115D	Slip rings-Steering wheel	Light grey	2	In center of steering wheel	INSTRUMENT PANEL RHD
C2RP03A	Pedestrian protection module	Grey	24	In center of steering wheel	INSTRUMENT PANEL LHD
C2RP03A	Pedestrian protection module	Grey	24	Base of LH 'A' post	ENGINE COMPARTMENT LH
C2RP03B	Pedestrian protection module	Black	40	Base of LH 'A' post	ENGINE COMPARTMENT RH
C2RP03B	Pedestrian protection module	Black	40	Base of LH 'A' post	ENGINE COMPARTMENT LH
C2RP03B	Pedestrian protection module	Black	40	Base of LH 'A' post	ENGINE COMPARTMENT RH

Connector	Description	Color	Cav	Location	Harness
C2RT03	Module-steering column locking	Black	4	Behind instrument cluster	INSTRUMENT PANEL LHD
C2RT03	Module-steering column locking	Black	4	Behind instrument cluster	INSTRUMENT PANEL RHD
C2RW08	Switch-Steering column-Wiper	Black	6	Behind steering column cowl	INSTRUMENT PANEL LHD
C2RW08	Switch-Steering column-Wiper	Black	6	Behind steering column cowl	INSTRUMENT PANEL RHD
C33-A	Link harness to main harness	Light grey	3	Beneath LH Front seat	MOST LINK
C33-A	Link harness to main harness	Light grey	3	Beneath LH Front seat	MOST LINK AUU
C33-A	Link harness to main harness	Light grey	3	Beneath LH Front seat	MOST LINK BLUETOOTH-AUU
C33-A	Main harness to link harness	Light grey	3	Beneath LH Front seat	CABIN LH
C33-A	Main harness to link harness	Light grey	3	Beneath LH Front seat	CABIN RH
C33-B	Link harness to main harness	Light grey	2	Beneath LH Front seat	MOST LINK
C33-B	Link harness to main harness	Light grey	2	Beneath LH Front seat	MOST LINK
C33-B	Link harness to main harness	Light grey	2	Beneath LH Front seat	MOST LINK AUU
C33-B	Link harness to main harness	Light grey	2	Beneath LH Front seat	MOST LINK BLUETOOTH-AUU
C33-B	Link harness to main harness	Light grey	2	Beneath LH Front seat	MOST LINK
C33-B	Main harness to link harness	Light grey	1	Beneath LH Front seat	CABIN LH
C33-B	Main harness to link harness	Light grey	1	Beneath LH Front seat	CABIN RH
C33-B	Link harness to main harness	Black	2	Beneath LH Front seat	SEAT LINK MOST SET
C33-C	Main harness to console harness	Grey	24	Beneath center console LH side	CABIN LH
C33-C	Main harness to console harness	Grey	24	Beneath center console LH side	CABIN RH
C33-C	Console harness to main harness	Grey	24	Beneath center console LH side	CONSOLE MIDDLE
C33-D	Main harness to seat harness	Dark grey	22	Beneath driver seat	CABIN RH
C33-D	Seat harness to main harness	Dark grey	22	Beneath driver seat	SEAT DRIVER RHD
C33-D	Main harness to seat harness	Dark grey	22	Beneath driver seat	CABIN LH
C33-D	Seat harness to main harness	Dark grey	22	Beneath driver seat	SEAT DRIVER LHD
C33-E	Seat harness to main harness	Light grey	10	Beneath driver seat	SEAT DRIVER RHD
C33-E	Seat harness to seat harness	Light grey	10	Beneath driver seat	CABIN RH
C33-E	Seat harness to main harness	Light grey	10	Beneath driver seat	SEAT DRIVER LHD
C33-E	Main harness to seat harness	Light grey	10	Beneath driver seat	CABIN LH
C33-F	Main harness to seat harness	Grey	4	Beneath driver seat	CABIN RH
C33-F	Seat harness to main harness	Grey	4	Beneath driver seat	SEAT DRIVER RHD
C33-F	Main harness to seat harness	Grey	4	Beneath driver seat	CABIN LH
C33-F	Seat harness to main harness	Grey	4	Beneath driver seat	SEAT DRIVER LHD
C33-G	Main harness to main harness	Dark grey	22	Beneath front passenger seat	CABIN RH
C33-G	Seat harness to seat harness	Dark grey	22	Beneath front passenger seat	SEAT PASSENGER RHD
C33-G	Main harness to main harness	Dark grey	22	Beneath front passenger seat	CABIN LH
C33-G	Seat harness to seat harness	Dark grey	22	Beneath front passenger seat	SEAT PASSENGER LHD
C33-H	Seat harness to main harness	Light grey	10	Beneath front passenger seat	SEAT PASSENGER RHD
C33-H	Main harness to seat harness	Light grey	10	Beneath front passenger seat	CABIN RH
C33-H	Seat harness to main harness	Light grey	10	Beneath front passenger seat	SEAT PASSENGER LHD
C33-H	Main harness to seat harness	Light grey	10	Beneath front passenger seat	CABIN LH
C33-J	Main harness to seat harness	Grey	4	Beneath front passenger seat	CABIN RH

Connector	Description	Color	Cav	Location	Harness
C33-J	Seat harness to main harness	Grey	4	Beneath front passenger seat	SEAT PASSENGER RHD
C33-J	Main harness to seat harness	Grey	4	Beneath front passenger seat	CABIN LH
C33-J	Seat harness to main harness	Grey	4	Beneath front passenger seat	SEAT PASSENGER LHD
C33-K	Main harness to PTC heater harness	Grey	1	Beneath center console RH side	CABIN RH
C33-K	PTC heater harness to main harness	Grey	21	Beneath center console RH side	PTC MEGAFUSE TO INLINE
C33-K	PTC heater harness to main harness	Natural	1	Beneath center console RH side	PTC CABLE POSITIVE
C33-K	Main harness to PTC heater harness	Natural	1	Beneath center console RH side	CABIN LH
C33-L	Module-Tuner-DAB/SDARS		2	Beneath LH Front seat	MOST LINK BLUETOOTH
C33-L	Module-Tuner-DAB/SDARS		2	Beneath LH Front seat	MOST LINK BLUETOOTH-AUU
C33-L	Module-Tuner-DAB/SDARS		2	Beneath LH Front seat	MOST LINK
C33-L	Module-Tuner-DAB/SDARS		2	Beneath LH Front seat	MOST LINK
C33-M	Module-Tuner-DAB/SDARS		2	Beneath LH Front seat	MOST LINK
C33-M	Module-Tuner-DAB/SDARS		2	Beneath LH Front seat	MOST LINK
C37-A	Main harness to door harness	Grey	24	In LH 'B' post	CABIN LH
C37-A	Main harness to door harness	Grey	24	In LH 'B' post	CABIN RH
C37-A	Rear door harness to main harness	Grey	24	In LH 'B' post	REAR DOOR LHS
C38-A	Main harness to door harness	Grey	24	In RH 'B' post	CABIN LH
C38-A	Main harness to door harness	Grey	24	In RH 'B' post	CABIN RH
C38-A	Rear door harness to main harness	Grey	24	In RH 'B' post	REAR DOOR RHS
C3A-A	Driver door harness to main harness	Dark grey	22	LH 'A' post	DRIVER DOOR LHD
C3A-A	Main harness to driver door harness	Dark grey	22	LH 'A' post	CABIN LH
C3A-A	Main harness to driver door harness	Dark grey	22	RH 'A' post	CABIN RH
C3A-A	Driver door harness to main harness	Dark grey	22	RH 'A' post	DRIVER DOOR RHD
C3A-B	Driver door harness to main harness	Light grey	10	LH 'A' post	DRIVER DOOR LHD
C3A-B	Main harness to driver door harness	Light grey	10	LH 'A' post	CABIN LH
C3A-B	Driver door harness to main harness	Light grey	10	RH 'A' post	DRIVER DOOR RHD
C3A-B	Main harness to driver door harness	Light grey	10	RH 'A' post	CABIN RH
C3B-A	Main harness to passenger door harness	Dark grey	22	LH 'A' post	CABIN RH
C3B-A	Passenger door harness to main harness	Dark grey	22	LH 'A' post	PASSENGER DOOR RHD
C3B-A	Main harness to passenger door harness	Dark grey	22	RH 'A' post	CABIN LH
C3B-A	Passenger door harness to main harness	Dark grey	22	RH 'A' post	PASSENGER DOOR LHD
C3B-B	Passenger door harness to main harness	Light grey	10	LH 'A' post	PASSENGER DOOR RHD
C3B-B	Main harness to passenger door harness	Light grey	10	LH 'A' post	CABIN RH
C3B-B	Passenger door harness to main harness	Light grey	10	RH 'A' post	PASSENGER DOOR LHD
C3B-B	Main harness to passenger door harness	Light grey	10	RH 'A' post	CABIN LH
C3BF10A	Megafuse-Electric booster heater		1	Beneath RH Front seat	CABIN LH
C3BF10A	Megafuse-Electric booster heater		1	Beneath RH Front seat	CABIN RH
C3BF10A	Megafuse-Electric booster heater		1	Beneath RH Front seat	PTC MEGAFUSE TO INLINE
C3BP01A	Junction box-Central		1	RH 'A' post	CABIN LH
C3BP01A	Junction box-Central		1	RH 'A' post	CABIN RH

Connector	Description	Color	Cav	Location	Harness
C3BP01A	Junction box-Central		1	RH 'A' post	MEGAFUSE FUSE BOX TO PANEL STUD
C3BP01A	Junction box-Central		1	RH 'A' post	MEGAFUSE FUSE BOX TO PANEL STUD + FSJB
C3BP01B	Junction box-Central	Grey	6	RH 'A' post	CABIN LH
C3BP01B	Junction box-Central	Grey	6	RH 'A' post	CABIN RH
C3BP01C	Junction box-Central	Grey	4	RH 'A' post	CABIN LH
C3BP01C	Junction box-Central	Grey	4	RH 'A' post	CABIN RH
C3BP01D	Junction box-Central	Green	12	RH 'A' post	CABIN LH
C3BP01D	Junction box-Central	Green	12	RH 'A' post	CABIN RH
C3BP01E	Junction box-Central	Black	20	RH 'A' post	CABIN LH
C3BP01E	Junction box-Central	Black	20	RH 'A' post	CABIN RH
C3BP01F	Junction box-Central	Natural	20	RH 'A' post	CABIN LH
C3BP01F	Junction box-Central	Natural	20	RH 'A' post	CABIN RH
C3BP01G	Junction box-Central	Grey	20	RH 'A' post	ENGINE COMPARTMENT LH
C3BP01G	Junction box-Central	Grey	20	RH 'A' post	ENGINE COMPARTMENT RH
C3BP01H	Junction box-Central	Blue	20	RH 'A' post	ENGINE COMPARTMENT LH
C3BP01H	Junction box-Central	Blue	20	RH 'A' post	ENGINE COMPARTMENT RH
C3BP01J	Junction box-Central	Green	20	RH 'A' post	ENGINE COMPARTMENT LH
C3BP01J	Junction box-Central	Green	20	RH 'A' post	ENGINE COMPARTMENT RH
C3BP01K	Junction box-Central	Brown	20	RH 'A' post	CABIN LH
C3BP01K	Junction box-Central	Brown	20	RH 'A' post	CABIN RH
C3BP01L	Junction box-Central	Violet	20	RH 'A' post	CABIN LH
C3BP01L	Junction box-Central	Violet	20	RH 'A' post	CABIN RH
C3BP01M	Junction box-Central		1	RH 'A' post	CABIN LH
C3BP01M	Junction box-Central		1	RH 'A' post	CABIN RH
C3CD01A	Module-Adaptive Damping	Green	30	Beneath RH Front seat	CABIN LH
C3CD01A	Module-Adaptive Damping	Green	30	Beneath RH Front seat	CABIN RH
C3CD01B	Module-Adaptive Damping	Grey	2	Beneath RH Front seat	CABIN LH
C3CD01B	Module-Adaptive Damping	Grey	2	Beneath RH Front seat	CABIN RH
C3DC07A	Cigar lighter	Natural	3	Beneath center console	CONSOLE MIDDLE
C3DC07B	Connector-Road pricing	Light grey	3	Behind RH side of Instrument panel	CABIN LH
C3DC07B	Connector-Road pricing	Light grey	3	Behind RH side of Instrument panel	CABIN RH
C3DC08	Socket-Accessory-Front	Orange	2	Beneath center console	CABIN LH
C3DC08	Socket-Accessory-Front	Orange	2	Beneath center console	CABIN RH
C3DC11A	Stud-through panel		1	Behind footwell trim panel - RH side	CABIN LH
C3DC11A	Stud-through panel	Yellow	10	Behind footwell trim panel - RH side	MEGAFUSE FUSE BOX TO PANEL STUD
C3DC11A	Stud-through panel		1	Driver footwell	CABIN RH
C3DC11A	Stud-through panel		1	Driver footwell	MEGAFUSE FUSE BOX TO PANEL STUD + FSJB
C3DC11C	Stud-through panel		1	Behind footwell trim panel - RH side	CABIN LH
C3DC11C	Stud-through panel		1	Driver footwell	CABIN RH
C3DF10A	Megafuse-Electric booster heater		1	Beneath RH Front seat	CABIN RH
C3DF10A	Megafuse-Electric booster heater	Black	3	Beneath RH Front seat	CABIN LH

Connector	Description	Color	Cav	Location	Harness
C3DF10A	Megafuse-Electric booster heater	Dark grey	1	Beneath RH Front seat	MEGAFUSE FUSE BOX TO PANEL STUD
C3ET37	Module-Transmission shift	Black	22	Beneath center console	CONSOLE MIDDLE
C3HS01A	Heater-Seat backrest-Driver	Black	2	Behind driver seat backrest	SEAT DRIVER RHD
C3HS01A	Heater-Seat backrest-Driver	Black	2	Behind driver seat backrest	SEAT DRIVER LHD
C3HS01B	Assembly-Climate-Seat backrest-Driver	Light grey	8	Behind driver seat backrest	SEAT DRIVER RHD
C3HS01B	Assembly-Climate-Seat backrest-Driver	Light grey	8	Behind driver seat backrest	SEAT DRIVER LHD
C3HS02A	Heater-Seat cushion-Driver	Black	4	Beneath driver seat	SEAT DRIVER RHD
C3HS02A	Heater-Seat cushion-Driver	Black	4	Beneath driver seat	SEAT DRIVER LHD
C3HS02B	Assembly-Climate-Seat cushion-Driver	Light grey	8	Beneath driver seat	SEAT DRIVER RHD
C3HS02B	Assembly-Climate-Seat cushion-Driver	Light grey	8	Beneath driver seat	SEAT DRIVER LHD
C3HS03A	Module-Climate-controlled seat	Black	12	Beneath RH Front seat	CABIN LH
C3HS03A	Module-Climate-controlled seat	Black	12	Beneath RH Front seat	CABIN RH
C3HS03B	Module-Climate-controlled seat	Black	10	Beneath RH Front seat	CABIN LH
C3HS03B	Module-Climate-controlled seat	Black	10	Beneath RH Front seat	CABIN RH
C3HS03C	Module-Climate-controlled seat	Black	16	Beneath RH Front seat	CABIN LH
C3HS03C	Module-Climate-controlled seat	Black	16	Beneath RH Front seat	CABIN RH
C3HS06A	Heater-Seat backrest-Passenger	Black	2	Behind passenger seat backrest	SEAT PASSENGER RHD
C3HS06A	Heater-Seat backrest-Passenger	Black	2	Behind passenger seat backrest	SEAT PASSENGER LHD
C3HS06B	Assembly-Climate-Seat backrest-Passenger	Light grey	8	Behind passenger seat backrest	SEAT PASSENGER RHD
C3HS06B	Assembly-Climate-Seat backrest-Passenger	Light grey	8	Behind passenger seat backrest	SEAT PASSENGER LHD
C3HS07A	Heater-Seat cushion-Passenger	Black	4	Beneath front passenger seat	SEAT PASSENGER RHD
C3HS07A	Heater-Seat cushion-Passenger	Black	4	Beneath front passenger seat	SEAT PASSENGER LHD
C3HS07B	Assembly-Climate-Seat cushion-Passenger	Light grey	8	Beneath front passenger seat	SEAT PASSENGER RHD
C3HS07B	Assembly-Climate-Seat cushion-Passenger	Light grey	8	Beneath front passenger seat	SEAT PASSENGER LHD
C3MC39A	Module-Tire pressure monitoring system	Blue	16	Beneath RH Front seat	CABIN LH
C3MC39A	Module-Tire pressure monitoring system	Blue	16	Beneath RH Front seat	CABIN RH
C3MC39B	Module-Tire pressure monitoring system	Green	16	Beneath RH Front seat	CABIN LH
C3MC39B	Module-Tire pressure monitoring system	Green	16	Beneath RH Front seat	CABIN RH
C3MC45	Receiver-Tire-pressure monitoring	Violet	3	Beneath center console LH side	CABIN LH
C3MC45	Receiver-Tire-pressure monitoring	Violet	3	Beneath center console LH side	CABIN RH
C3ME17A	Module-Portable audio interface	Black	6	Beneath LH Front seat	MOST LINK AUU
C3ME17A	Module-Portable audio interface	Black	6	Beneath LH Front seat	MOST LINK
C3ME17B	Module-Portable audio interface	Black	1	Beneath LH Front seat	LINK AUU
C3ME24	Module-Tuner-DAB/SDARS		1	Beneath LH Front seat	CABIN LH
C3ME24	Module-Tuner-DAB/SDARS		1	Beneath LH Front seat	CABIN RH
C3ME37A	Console-Portable audio interface	Black	4	Beneath LH Front seat	CABIN LH
C3ME37A	Console-Portable audio interface	Black	4	Beneath center console	CABIN LH
C3ME37B	Console-Portable audio interface	Black	1	Beneath center console	CABIN RH
C3ME41A	Module-Tuner-DAB/SDARS	Black	2	Beneath LH Front seat	LINK AUU
C3ME41A	Module-Tuner-DAB/SDARS	Black	2	Beneath LH Front seat	CABIN LH
					CABIN RH

Connector	Description	Color	Cav	Location	Harness
C3ME41B	Module-Tuner-DAB/SDARS		1	Beneath LH Front seat	CABIN LH
C3ME41B	Module-Tuner-DAB/SDARS		1	Beneath LH Front seat	CABIN RH
C3MM01A	Module-Telephone	Black	32	Beneath LH Front seat	CABIN LH
C3MM01A	Module-Telephone	Black	32	Beneath LH Front seat	CABIN RH
C3PK05	Center console antenna-Front	Grey	4	Behind front of center console	CABIN LH
C3PK05	Center console antenna-Front	Grey	4	Behind front of center console	CABIN RH
C3PK06	Center console antenna-Rear	Grey	4	Beneath center console	CABIN LH
C3PK06	Center console antenna-Rear	Grey	4	Beneath center console	CABIN RH
C3PS02A	Driver seat module	Light grey	26	Beneath driver seat	SEAT DRIVER RHD
C3PS02A	Driver seat module	Light grey	26	Beneath driver seat	SEAT DRIVER LHD
C3PS02B	Driver seat module	Light grey	16	Beneath driver seat	SEAT DRIVER RHD
C3PS02B	Driver seat module	Light grey	16	Beneath driver seat	SEAT DRIVER LHD
C3PS02C	Driver seat module	Light grey	12	Beneath driver seat	SEAT DRIVER RHD
C3PS02C	Driver seat module	Light grey	12	Beneath driver seat	SEAT DRIVER LHD
C3PS02D	Driver seat module	Black	14	Beneath driver seat	SEAT DRIVER RHD
C3PS02D	Driver seat module	Black	14	Beneath driver seat	SEAT DRIVER LHD
C3PS12A	Pump-Lumbar-Driver	Black	3	Behind driver seat backrest	SEAT DRIVER RHD
C3PS12A	Pump-Lumbar-Driver	Black	3	Behind driver seat backrest	SEAT DRIVER LHD
C3PS12B	Pump-Lumbar-Driver	Black	3	Behind driver seat backrest	SEAT DRIVER RHD
C3PS12B	Pump-Lumbar-Driver	Black	3	Behind driver seat backrest	SEAT DRIVER LHD
C3PS13A	Pump-Lumbar-Passenger	Black	3	Behind passenger seat backrest	SEAT PASSENGER RHD
C3PS13A	Pump-Lumbar-Passenger	Black	3	Behind passenger seat backrest	SEAT PASSENGER LHD
C3PS13B	Pump-Lumbar-Passenger	Black	3	Behind passenger seat backrest	SEAT PASSENGER RHD
C3PS13B	Pump-Lumbar-Passenger	Black	3	Behind passenger seat backrest	SEAT PASSENGER LHD
C3PS19	Solenoid-Lumbar-pump	Black	6	Behind driver seat backrest	SEAT DRIVER RHD
C3PS19	Solenoid-Lumbar-pump	Black	6	Behind driver seat backrest	SEAT DRIVER LHD
C3PS21	Solenoid-Lumbar-pump	Black	12	Behind passenger seat backrest	SEAT PASSENGER RHD
C3PS21	Solenoid-Lumbar-pump	Black	6	Behind passenger seat backrest	SEAT PASSENGER LHD
C3PS22D	Switch-Seat memory-Driver	Black	20	Beneath driver seat	SEAT DRIVER RHD
C3PS22D	Switch-Seat memory-Driver	Black	20	Beneath driver seat	SEAT DRIVER LHD
C3PS22E	Switch-Seat-Driver	Black	20	Beneath driver seat	SEAT DRIVER RHD
C3PS22E	Switch-Seat-Driver	Black	20	Beneath driver seat	SEAT DRIVER LHD
C3PS23A	Motor-seat-forward rearward-driver	Black	4	Beneath driver seat	SEAT DRIVER RHD
C3PS23A	Motor-seat-forward rearward-driver	Black	4	Beneath driver seat	SEAT DRIVER LHD
C3PS23B	Motor-seat-forward rearward-driver	Black	4	Beneath driver seat	SEAT DRIVER RHD
C3PS23B	Motor-seat-forward rearward-driver	Black	4	Beneath driver seat	SEAT DRIVER LHD
C3PS25A	Motor-Seat-Tilt-Driver	Black	4	Beneath driver seat	SEAT DRIVER RHD
C3PS25A	Motor-Seat-Tilt-Driver	Black	4	Beneath driver seat	SEAT DRIVER LHD
C3PS25B	Motor-Seat-Tilt-Driver	Black	4	Beneath driver seat	SEAT DRIVER RHD
C3PS25B	Motor-Seat-Tilt-Driver	Black	4	Beneath driver seat	SEAT DRIVER LHD
C3PS27A	Drivers seat height motor	Black	4	Beneath driver seat	SEAT DRIVER RHD

Connector	Description	Color	Cav	Location	Harness
C3PS27A	Drivers seat height motor	Black	4	Beneath driver seat	SEAT DRIVER LHD
C3PS27B	Drivers seat height motor	Black	4	Beneath driver seat	SEAT DRIVER RHD
C3PS27B	Drivers seat height motor	Black	4	Beneath driver seat	SEAT DRIVER LHD
C3PS30A	Motor-Seat-Backrest recline	Black	5	Behind driver seat backrest	SEAT DRIVER RHD
C3PS30A	Motor-Seat-Backrest recline	Black	5	Behind driver seat backrest	SEAT DRIVER LHD
C3PS30B	Motor-Seat-Backrest recline	Black	5	Behind driver seat backrest	SEAT DRIVER RHD
C3PS30B	Motor-Seat-Backrest recline	Black	5	Behind driver seat backrest	SEAT DRIVER LHD
C3PS32C	Switch pack-Seat-Passenger	Black	20	Beneath front passenger seat	SEAT PASSENGER RHD
C3PS32C	Switch pack-Seat-Passenger	Black	20	Beneath front passenger seat	SEAT PASSENGER LHD
C3PS33	Motor-seat-forward rearward-passenger	Black	4	Beneath front passenger seat	SEAT PASSENGER RHD
C3PS33	Motor-seat-forward rearward-passenger	Black	4	Beneath front passenger seat	SEAT PASSENGER LHD
C3PS35	Motor-Seat-Tilt-Passenger	Black	4	Beneath front passenger seat	SEAT PASSENGER RHD
C3PS35	Motor-Seat-Tilt-Passenger	Black	4	Beneath front passenger seat	SEAT PASSENGER LHD
C3PS37	Passenger seat height motor	Black	4	Beneath front passenger seat	SEAT PASSENGER RHD
C3PS37	Motor-Seat-Tilt-Passenger	Black	4	Beneath front passenger seat	SEAT PASSENGER LHD
C3PS40	Motor-Seat-Back recline	Black	5	Behind passenger seat backrest	SEAT PASSENGER RHD
C3PS40	Motor-Seat-Back recline	Black	5	Behind passenger seat backrest	SEAT PASSENGER LHD
C3PS46	Motor-Seat-Cushion extension-Driver	Black	4	Beneath driver seat	SEAT DRIVER RHD
C3PS46	Motor-Seat-Cushion extension-Driver	Black	4	Beneath driver seat	SEAT DRIVER LHD
C3PS59	Motor-Head restraint	Black	4	Behind driver seat backrest	SEAT DRIVER RHD
C3PS59	Motor-Head restraint	Black	4	Behind driver seat backrest	SEAT DRIVER LHD
C3PS69	Motor-Head restraint	Black	4	Behind passenger seat backrest	SEAT PASSENGER RHD
C3PS69	Motor-Head restraint	Black	4	Behind passenger seat backrest	SEAT PASSENGER LHD
C3PS91	Solenoid-Seat bolster-Driver	Black	6	Behind driver seat backrest	SEAT DRIVER RHD
C3PS91	Solenoid-Seat bolster-Driver	Black	6	Behind driver seat backrest	SEAT DRIVER LHD
C3PS93	Solenoid-Seat bolster-Passenger	Black	6	Behind passenger seat backrest	SEAT PASSENGER RHD
C3PS93	Solenoid-Seat bolster-Passenger	Black	6	Behind passenger seat backrest	SEAT PASSENGER LHD
C3R105	Air bag-Side-Driver	Black	1	Side of driver seat backrest	SEAT DRIVER RHD
C3R105	Air bag-Side-Driver	Black	1	Side of driver seat backrest	SEAT DRIVER LHD
C3R106	Air bag-Side-Passenger	Black	1	Side of passenger seat backrest	SEAT PASSENGER RHD
C3R106	Air bag-Side-Passenger	Black	1	Side of passenger seat backrest	SEAT PASSENGER LHD
C3R114A	Restraints Control Module (RCM)	Black	24	Beneath center console	CABIN LH
C3R114A	Restraints Control Module (RCM)	Black	24	Beneath center console	CABIN RH
C3R114B	Restraints Control Module (RCM)	Black	38	Beneath center console	CABIN LH
C3R114B	Restraints Control Module (RCM)	Black	38	Beneath center console	CABIN RH
C3R116	Sensor-Seat-occupancy	Light grey	2	Beneath front passenger seat	SEAT PASSENGER RHD
C3R116	Sensor-Seat-occupancy	Light grey	2	Beneath front passenger seat	SEAT PASSENGER LHD
C3R118	Module-Seat-occupancy	Black	18	Beneath front passenger seat	SEAT PASSENGER LHD
C3R120	Pre-tensioner and buckle switch-Driver	Black	4	Beneath driver seat	SEAT DRIVER RHD
C3R120	Pre-tensioner and buckle switch-Driver	Black	4	Beneath driver seat	SEAT DRIVER LHD

Connector	Description	Color	Cav	Location	Harness
C3R122	Pre-tensioner and buckle switch-Passenger	Black	4	Beneath front passenger seat	SEAT PASSENGER RHD
C3R122	Pre-tensioner and buckle switch-Passenger	Black	4	Beneath front passenger seat	SEAT PASSENGER LHD
C3R210	Sensor-Safety belt tension	Grey	4	Side of passenger seat backrest	SEAT PASSENGER LHD
C3R215	Sensor-Driver-seat track	Light grey	2	Beneath driver seat	SEAT DRIVER RHD
C3R215	Sensor-Driver-seat track	Light grey	2	Beneath driver seat	SEAT DRIVER LHD
C3R216	Sensor-Seat position-Passenger	Light grey	2	Beneath front passenger seat	SEAT PASSENGER RHD
C3R216	Sensor-Seat position-Passenger	Light grey	2	Beneath front passenger seat	SEAT PASSENGER LHD
C3R217B	Sensor-Side impact-LH side-Rear	Black	2	LH 'C' post	CABIN LH
C3R217B	Sensor-Side impact-LH side-Rear	Black	2	LH 'C' post	CABIN RH
C3R218A	Sensor-Side impact-RH side-Rear	Black	2	RH 'C' post	CABIN LH
C3R218A	Sensor-Side impact-RH side-Rear	Black	2	RH 'C' post	CABIN RH
C3R223	Sensor-Pressure-mat	Grey	3	Beneath front passenger seat	SEAT PASSENGER LHD
C43-A	Link harness to main harness	Grey	6	LH 'C' post	ICE HIGH SPEC
C43-A	Main harness to link harness	Grey	6	LH 'C' post	CABIN LH
C43-A	Main harness to link harness	Grey	6	LH 'C' post	CABIN RH
C44-A	Trunk lid link harness to main harness	Black	16	Parcel shelf - under right hand side	BOOTLID LINK
C44-A	Main harness to trunk lid link harness	Black	16	Parcel shelf - under right hand side	CABIN LH
C44-A	Main harness to trunk lid link harness	Black	16	Parcel shelf - under right hand side	CABIN RH
C44-AC	Navigation system module		2	Luggage compartment - LH side	MOST LINK STACK 1
C44-AE	Navigation system module		2	Luggage compartment - LH side	MOST LINK STACK 2
C44-AF	Navigation system module		2	Luggage compartment - LH side	MOST LINK STACK 2
C44-AJ	Navigation system module		2	Luggage compartment - LH side	MOST LINK STACK 3
C44-AK	Amplifier-power		2	Luggage compartment - LH side	MOST LINK STACK 3
C44-B	Main harness to trunk lid link harness		1	Parcel shelf - under right hand side	CABIN LH
C44-B	Main harness to trunk lid link harness		1	Parcel shelf - under right hand side	CABIN RH
C44-B	Trunk lid link harness to main harness		2	Parcel shelf - under right hand side	BOOTLID LINK
C44-C	Trunk lid link harness to trunk lid harness	Black	16	RH side of boot lid	BOOTLID LINK
C44-C	Trunk lid harness to trunk lid link harness	Black	16	RH side of boot lid	BOOTLID MAIN
C44-D	Trunk lid harness to trunk lid link harness		1	RH side of boot lid	BOOTLID MAIN
C44-D	Trunk lid link harness to trunk lid harness		1	RH side of boot lid	BOOTLID LINK
C44-E	Fuel tank harness to main harness	Dark grey	8	Beneath rear of vehicle RH side	FUEL TANK PETROL
C44-E	Fuel tank harness to main harness	Dark grey	8	Beneath rear of vehicle RH side	FUEL TANK DIESEL
C44-E	Fuel tank harness to main harness	Dark grey	8	Beneath rear of vehicle RH side	FUEL TANK PETROL (NON LEV)
C44-E	Main harness to fuel tank harness	Dark grey	8	Beneath rear of vehicle RH side	CABIN LH
C44-E	Main harness to fuel tank harness	Dark grey	8	Beneath rear of vehicle RH side	CABIN RH
C44-F	Rear bumper harness to main harness	Black	8	Behind LH side of rear bumper	BUMPER REAR
C44-F	Main harness to rear bumper harness	Black	8	Behind LH side of rear bumper	CABIN LH
C44-F	Main harness to rear bumper harness	Black	8	Behind LH side of rear bumper	CABIN RH
C44-G	Main harness to main harness	Green	16	Luggage compartment - LH side	CABIN LH
C44-G	Main harness to main harness	Green	16	Luggage compartment - LH side	CABIN RH
C44-H	Audio system harness to main harness		2	Luggage compartment - LH side	REAR LINK MOST SET

Connector	Description	Color	Cav	Location	Harness
C44-H	Main harness to audio system harness		1	Luggage compartment - LH side	CABIN LH
C44-H	Main harness to audio system harness		1	Luggage compartment - LH side	CABIN RH
C44-H	Audio system harness to main harness	Black	2	Luggage compartment - LH side	MOST LINK STACK 1
C44-H	Audio system harness to main harness	Black	2	Luggage compartment - LH side	MOST LINK STACK 2
C44-H	Audio system harness to main harness	Black	2	Luggage compartment - LH side	MOST LINK STACK 3
C44-P	Main harness to rear axle harness	Black	8	Beneath rear of vehicle RH side	CABIN LH
C44-P	Main harness to rear axle harness	Black	8	Beneath rear of vehicle RH side	CABIN RH
C44-P	Rear axle harness to main harness	Black	8	Beneath rear of vehicle RH side	EMS CONTROL VALVE
C44-R	Main harness to rear axle harness	Black	12	Beneath rear of vehicle RH side	CABIN LH
C44-R	Main harness to rear axle harness	Black	12	Beneath rear of vehicle RH side	CABIN RH
C44-R	Rear axle harness to main harness	Black	12	Beneath rear of vehicle RH side	EMS CONTROL VALVE
C44-S	Main harness to main harness	Light grey	4	Behind luggage compartment carpet RH side	CABIN LH
C44-S	Main harness to main harness	Light grey	4	Behind luggage compartment carpet RH side	CABIN RH
C44-T	Main harness to main harness	Light grey	4	Behind luggage compartment carpet RH side	CABIN LH
C44-T	Main harness to main harness	Light grey	4	Behind luggage compartment carpet RH side	CABIN RH
C44-V	Main harness to audio system harness	Light grey	3	Luggage compartment - LH side	CABIN RH
C44-V	Main harness to audio system harness	Light grey	3	Luggage compartment - LH side	CABIN LH
C44-V	Audio system harness to main harness	Light grey	3	Luggage compartment - LH side	MOST LINK STACK 1
C44-V	Audio system harness to main harness	Light grey	3	Luggage compartment - LH side	MOST LINK STACK 2
C44-V	Audio system harness to main harness	Light grey	3	Luggage compartment - LH side	MOST LINK STACK 3
C44-W	TPMS link harness to main harness	Black	2	Beneath rear of vehicle LH side	LINK LH ABS/TPMS
C44-W	Main harness to TPMS link harness	Black	2	Beneath rear of vehicle LH side	CABIN LH
C44-W	Main harness to TPMS link harness	Black	2	Beneath rear of vehicle LH side	CABIN RH
C44-Y	Main harness to TPMS link harness	Black	3	Beneath rear of vehicle RH side	CABIN LH
C44-Y	Main harness to TPMS link harness	Black	3	Beneath rear of vehicle RH side	CABIN RH
C44-Y	TPMS link harness to main harness	Black	3	Beneath rear of vehicle RH side	LINK RH ABS/TPMS
C49-A	Roof harness to main harness	Green	16	Beneath parcel shelf trim-RH side	ROOF
C49-A	Main harness to roof harness	Green	16	Beneath parcel shelf trim-RH side	CABIN LH
C49-A	Main harness to roof harness	Green	16	Beneath parcel shelf trim-RH side	CABIN RH
C4BF10A	Junction box-Battery		1	Luggage compartment - RH side	MEGAFUSE FUSE BOX TO DASH PETROL
C4BF10A	Junction box-Battery		1	Luggage compartment - RH side	MEGAFUSE FUSE BOX TO DASH DIESEL
C4BF10B	Junction box-Battery		1	Luggage compartment - RH side	CABIN LH
C4BF10B	Junction box-Battery		1	Luggage compartment - RH side	CABIN RH
C4BF10B	Junction box-Battery		1	Luggage compartment - RH side	MEGAFUSE FUSE BOX TO RSJB
C4BF10C	Junction box-Battery		1	Luggage compartment - RH side	CABIN LH
C4BF10C	Junction box-Battery		1	Luggage compartment - RH side	MEGAFUSE FUSE BOX TO PANEL STUD
C4BF10C	Junction box-Battery		1	Luggage compartment - RH side	MEGAFUSE FUSE BOX TO PANEL STUD + FSJB
C4BF10C	Junction box-Battery		1	Luggage compartment - RH side	CABIN RH
C4BF10D	Junction box-Battery		1	Luggage compartment - RH side	CABIN LH
C4BF10D	Junction box-Battery		1	Luggage compartment - RH side	CABIN RH

Connector	Description	Color	Cav	Location	Harness
C4BP01A	Junction box-Rear		1	Luggage compartment - RH side	CABIN LH
C4BP01A	Junction box-Rear		1	Luggage compartment - RH side	CABIN RH
C4BP01A	Junction box-Rear		1	Luggage compartment - RH side	MEGAFUSE FUSE BOX TO RSJB
C4BP01B	Junction box-Rear	Grey	6	Luggage compartment - RH side	CABIN LH
C4BP01B	Junction box-Rear	Grey	6	Luggage compartment - RH side	CABIN RH
C4BP01C	Junction box-Rear	Grey	4	Luggage compartment - RH side	CABIN LH
C4BP01C	Junction box-Rear	Grey	4	Luggage compartment - RH side	CABIN RH
C4BP01D	Junction box-Rear	Green	12	Luggage compartment - RH side	CABIN LH
C4BP01D	Junction box-Rear	Green	12	Luggage compartment - RH side	CABIN RH
C4BP01F	Junction box-Rear	Natural	20	Luggage compartment - RH side	CABIN LH
C4BP01F	Junction box-Rear	Natural	20	Luggage compartment - RH side	CABIN RH
C4BP01G	Junction box-Rear	Grey	20	Luggage compartment - RH side	CABIN LH
C4BP01G	Junction box-Rear	Grey	20	Luggage compartment - RH side	CABIN RH
C4BP01H	Junction box-Rear	Blue	20	Luggage compartment - RH side	CABIN LH
C4BP01H	Junction box-Rear	Blue	20	Luggage compartment - RH side	CABIN RH
C4BP01K	Junction box-Rear	Brown	20	Luggage compartment - RH side	CABIN LH
C4BP01K	Junction box-Rear	Brown	20	Luggage compartment - RH side	CABIN RH
C4BP01L	Junction box-Rear	Violet	20	Luggage compartment - RH side	CABIN LH
C4BP01L	Junction box-Rear	Violet	20	Luggage compartment - RH side	CABIN RH
C4CA04	Wheel speed Sensor-Rear-LH	Black	2	Below LH rear wheelarch	EMS CONTROL VALVE
C4CA06	Wheel speed Sensor-Rear-RH	Black	2	Below RH rear wheelarch	EMS CONTROL VALVE
C4CA06	Wheel speed Sensor-Rear-RH	Black	2	Below RH rear wheelarch	EMS CONTROL VALVE
C4CA09	Sensor-Yaw Rate	Black	4	Beneath parcel shelf trim-LH side	CABIN LH
C4CA09	Sensor-Yaw Rate	Black	4	Beneath parcel shelf trim-LH side	CABIN RH
C4CB01A	Module-Parking brake	Light grey	14	Behind luggage compartment carpet RH side	CABIN LH
C4CB01A	Module-Parking brake	Light grey	14	Behind luggage compartment carpet RH side	CABIN RH
C4CB01B	Module-Parking brake	Grey	24	Behind luggage compartment carpet RH side	CABIN LH
C4CB01B	Module-Parking brake	Grey	24	Behind luggage compartment carpet RH side	CABIN RH
C4CB18	Parking Brake Actuator	Dark grey	6	Beneath rear of vehicle RH side	EMS CONTROL VALVE
C4CD05	Solenoid-Damper-Rear-LH	Black	2	Luggage compartment - LH side	CABIN LH
C4CD05	Solenoid-Damper-Rear-LH	Black	2	Luggage compartment - LH side	CABIN RH
C4CD06	Solenoid-Damper Rear-RH	Black	2	Behind luggage compartment carpet RH side	CABIN LH
C4CD06	Solenoid-Damper Rear-RH	Black	2	Behind luggage compartment carpet RH side	CABIN RH
C4CD09	Accelerometer-Rear left	Black	3	Luggage compartment - LH side	CABIN LH
C4CD09	Accelerometer-Rear left	Black	3	Luggage compartment - LH side	CABIN RH
C4CD12	Sensor-Height-Rear-LH	Black	3	Below LH rear wheelarch	EMS CONTROL VALVE
C4CD13	Sensor-Height-Rear-RH	Black	6	Below RH rear wheelarch	EMS CONTROL VALVE
C4D101	Battery		1	Behind luggage compartment carpet RH side	BATTERY NEGATIVE
C4DC02A	Battery		1	Behind luggage compartment carpet RH side	CABIN LH
C4DC02A	Battery		1	Behind luggage compartment carpet RH side	CABIN RH
C4DC02A	Battery		1	Behind luggage compartment carpet RH side	MEGAFUSE B+ PETROL

Connector	Description	Color	Cav	Location	Harness
C4DC02B	Battery		1	Behind luggage compartment carpet RH side	CABIN LH
C4DC02B	Battery		1	Behind luggage compartment carpet RH side	CABIN RH
C4DC02B	Battery		1	Behind luggage compartment carpet RH side	MEGAFUSE B+ DIESEL
C4DC05A	Ground point	Black	2	Behind luggage compartment carpet RH side	CABIN LH
C4DC05A	Ground point	Black	2	Behind luggage compartment carpet RH side	CABIN RH
C4DC05B	Battery		1	Luggage compartment - RH side	CABIN RH
C4DC05B	Battery		1	Behind luggage compartment carpet RH side	CABIN LH
C4DC10	Main harness to trailer connector	Light grey	3	Behind luggage compartment carpet RH side	CABIN LH
C4DC10	Main harness to trailer connector	Light grey	3	Behind luggage compartment carpet RH side	CABIN RH
C4DC27	Relay-Transit	White	2	Behind luggage compartment carpet RH side	CABIN LH
C4DC27	Relay-Transit	White	2	Behind luggage compartment carpet RH side	CABIN RH
C4DF10A	Junction box-Battery		1	Luggage compartment - RH side	CABIN LH
C4DF10A	Junction box-Battery		1	Luggage compartment - RH side	CABIN RH
C4DF10A	Junction box-Battery		1	Luggage compartment - RH side	MEGAFUSE B+ PETROL
C4DF10B	Junction box-Battery		1	Luggage compartment - RH side	CABIN LH
C4DF10B	Junction box-Battery		1	Luggage compartment - RH side	CABIN RH
C4DF10B	Junction box-Battery		1	Luggage compartment - RH side	MEGAFUSE B+ DIESEL
C4E730	Unit-Leak detection	Black	4	Beneath rear of vehicle LH side	CABIN LH
C4E730	Unit-Leak detection	Black	4	Beneath rear of vehicle LH side	CABIN RH
C4E515	Module-Fuel-pump driver	Dark grey	6	Beneath rear of vehicle RH side	FUEL TANK PETROL
C4ET63A	Rear differential control module	Black	17	Luggage compartment - RH side	CABIN LH
C4ET63A	Rear differential control module	Black	17	Luggage compartment - RH side	CABIN RH
C4ET63B	Rear differential control module	Yellow	9	Luggage compartment - RH side	CABIN LH
C4ET63B	Rear differential control module	Yellow	9	Luggage compartment - RH side	CABIN RH
C4ET63C	Rear differential control module	Purple	15	Luggage compartment - RH side	CABIN LH
C4ET63C	Rear differential control module	Purple	15	Luggage compartment - RH side	CABIN RH
C4ET64A	Main harness to rear axle harness	Black	12	Beneath rear of vehicle LH side	CABIN LH
C4ET64A	Main harness to rear axle harness	Black	12	Beneath rear of vehicle LH side	CABIN RH
C4LN13	Lamp-Trunk	Red	2	Parcel shelf - under center	CABIN LH
C4LN13	Lamp-Trunk	Red	2	Parcel shelf - under center	CABIN RH
C4LS35	Tail lamp unit-LH	Black	6	Luggage compartment - LH side	CABIN LH
C4LS35	Tail lamp unit-LH	Black	6	Luggage compartment - LH side	CABIN RH
C4LS36	Tail lamp unit-RH	Black	6	Luggage compartment - RH side	CABIN LH
C4LS36	Tail lamp unit-RH	Black	6	Luggage compartment - RH side	CABIN RH
C4LS38	Lamp-number plate and switch-Luggage compartment lid release	Black	4	LH side of boot lid	BOOTLID MAIN
C4LS45A	Lamp-Fog-Rear-LH	Black	2	LH side of boot lid	BOOTLID MAIN
C4LS45B	Lamp-Fog-Rear-RH	Black	2	RH side of boot lid	BOOTLID MAIN
C4LS50	Lamp-High mounted stop	White	3	RH 'C' post	CABIN LH
C4LS50	Lamp-High mounted stop	White	3	RH 'C' post	CABIN RH
C4MC09	Sensor-Pad wear-Rear	Black	2	Below RH rear wheelarch	EMS CONTROL VALVE

Connector	Description	Color	Cav	Location	Harness
C4MC11A	Fuel Tank-Petrol	Black	6	Beneath rear seat - RH Side	FUEL TANK PETROL
C4MC11B	Unit-Fuel Tank - D6	Black	6	Beneath rear seat - RH Side	FUEL TANK DIESEL
C4MC42	Initiator-Rear-LH	Black	2	Behind LH rear wheel arch liner	LINK LH ABS/TPMS
C4MC43	Initiator-Rear-RH	Black	2	Behind RH rear wheel arch liner	LINK RH ABS/TPMS
C4ME01	Speaker-Subwoofer	Black	4	Behind luggage compartment carpet RH side	CABIN LH
C4ME01	Speaker-Subwoofer	Black	4	Behind luggage compartment carpet RH side	CABIN RH
C4ME09	LH rear surround sound speaker	Black	3	Behind luggage compartment carpet RH side	ICE HIGH SPEC
C4ME12	RH rear surround sound speaker	Black	3	Parcel shelf - under left hand side	ICE HIGH SPEC
C4ME18A	Module-IBOC Radio	Black	4	Behind luggage compartment carpet LH side	MOST LINK STACK 1
C4ME18A	Module-IBOC Radio	Black	4	Behind luggage compartment carpet LH side	MOST LINK STACK 2
C4ME18A	Module-IBOC Radio	Black	4	Behind luggage compartment carpet LH side	MOST LINK STACK 3
C4ME18B	Module-IBOC Radio				
C4ME18B	Module-IBOC Radio				
C4ME22A	Amplifier-power	Grey	1	Behind luggage compartment carpet LH side	CABIN LH
C4ME22A	Amplifier-power	Grey	2	Behind luggage compartment carpet LH side	CABIN RH
C4ME22A	Amplifier-power	Grey	2	Luggage compartment - LH side	CABIN LH
C4ME22B	Amplifier-power	Green	16	Luggage compartment - LH side	CABIN RH
C4ME22B	Amplifier-power	Green	16	Luggage compartment - LH side	CABIN LH
C4ME22B	Amplifier-power	Light grey	10	Luggage compartment - LH side	CABIN RH
C4ME22D	Amplifier-power	Light grey	10	Luggage compartment - LH side	CABIN LH
C4ME33A	Receiver-Television	Grey	20	Luggage compartment - LH side	CABIN RH
C4ME33A	Receiver-Television	Grey	20	Luggage compartment - LH side	CABIN LH
C4ME33B	Receiver-Television	Grey	20	Luggage compartment - LH side	CABIN RH
C4ME33B	Receiver-Television	Grey	20	Luggage compartment - LH side	CABIN LH
C4ME33B	Receiver-Television	Grey	1	Luggage compartment - LH side	CABIN RH
C4ME33B	Receiver-Television	Grey	1	Luggage compartment - LH side	CABIN LH
C4ME33C	Receiver-Television	Grey	1	Luggage compartment - LH side	CABIN RH
C4ME33C	Receiver-Television	Grey	1	Luggage compartment - LH side	CABIN LH
C4ME33C	Receiver-Television	Grey	1	Luggage compartment - LH side	CABIN RH
C4ME33C	Receiver-Television	Grey	1	Luggage compartment - LH side	CABIN LH
C4MN23A	Navigation system module	Grey	12	Luggage compartment - LH side	CABIN RH
C4MN23A	Navigation system module	Grey	12	Luggage compartment - LH side	CABIN LH
C4MN23B	Navigation system module	Grey	12	Luggage compartment - LH side	CABIN RH
C4MN23B	Navigation system module	Grey	12	Luggage compartment - LH side	CABIN LH
C4MN23B	Navigation system module	Grey	1	Luggage compartment - LH side	CABIN RH
C4MN23C	Navigation system module	Grey	1	Luggage compartment - LH side	CABIN LH
C4MN23C	Navigation system module	Grey	1	Luggage compartment - LH side	CABIN RH
C4MN23C	Navigation system module	Grey	1	Luggage compartment - LH side	CABIN LH
C4MN23E	Navigation system module	Grey	1	Luggage compartment - LH side	CABIN RH
C4MN23E	Navigation system module	Grey	1	Luggage compartment - LH side	CABIN LH
C4MN23E	Navigation system module	Grey	1	Luggage compartment - LH side	CABIN RH
C4MN23F	Navigation system module	Grey	1	Luggage compartment - LH side	CABIN LH
C4MN23F	Navigation system module	Grey	1	Luggage compartment - LH side	CABIN RH
C4MP01A	Parking aid module	Black	16	Luggage compartment - LH side	CABIN LH
C4MP01A	Parking aid module	Black	16	Luggage compartment - LH side	CABIN RH
C4MP01B	Parking aid module	Black	12	Luggage compartment - LH side	CABIN LH
C4MP01B	Parking aid module	Black	12	Luggage compartment - LH side	CABIN RH
C4MP01C	Parking aid module	Black	12	Luggage compartment - LH side	CABIN LH
C4MP01C	Parking aid module	Black	12	Luggage compartment - LH side	CABIN RH

Connector	Description	Color	Cav	Location	Harness
C4MP14	Parking aid sensor-Inner-Rear-LH	Black	3	Behind LH side of rear bumper	BUMPER REAR
C4MP15	Parking aid sensor-Outer-Rear-LH	Black	3	Behind LH side of rear bumper	BUMPER REAR
C4MP16	Parking aid sensor-Inner-Rear-RH	Black	3	Behind RH side of rear bumper	BUMPER REAR
C4MP17	Parking aid sensor-Outer-Rear-RH	Black	3	Behind RH side of rear bumper	BUMPER REAR
C4MP19A	Camera-Rear view	Black	4	LH side of boot lid	BOOTLID MAIN
C4MP19B	Camera-Rear view	Black	1	LH side of boot lid	BOOTLID MAIN
C4PK07	Antenna-LF-Rear-External	Grey	4	Behind Center of rear bumper	CABIN LH
C4PK07	Antenna-LF-Rear-External	Grey	4	Behind Center of rear bumper	CABIN RH
C4PK08	Antenna-LF-Rear-Internal	Grey	4	Parcel shelf - under center	CABIN LH
C4PK08	Antenna-LF-Rear-Internal	Grey	4	Parcel shelf - under center	CABIN RH
C4PK28A	Keyless vehicle module	Grey	23	Luggage compartment - LH side	CABIN LH
C4PK28A	Keyless vehicle module	Grey	23	Luggage compartment - LH side	CABIN RH
C4PK28B	Keyless vehicle module	Green	23	Luggage compartment - LH side	CABIN LH
C4PK28B	Keyless vehicle module	Green	23	Luggage compartment - LH side	CABIN RH
C4PK28C	Keyless vehicle module	Blue	23	Luggage compartment - LH side	CABIN LH
C4PK28C	Keyless vehicle module	Blue	23	Luggage compartment - LH side	CABIN RH
C4PK28D	Keyless vehicle module	Natural	23	Luggage compartment - LH side	CABIN LH
C4PK28D	Keyless vehicle module	Natural	23	Luggage compartment - LH side	CABIN RH
C4PK28E	Keyless vehicle module	Brown	23	Luggage compartment - LH side	CABIN LH
C4PK28E	Keyless vehicle module	Brown	23	Luggage compartment - LH side	CABIN RH
C4PL17	Liftgate Latch/Luggage Compartment Lid Latch	Natural	6	LH side of boot lid	BOOTLID MAIN
C4PL18	Motor-Release-Fuel flap	Black	3	Behind RH rear wheel arch liner	CABIN LH
C4PL18	Motor-Release-Fuel flap	Black	3	Behind RH rear wheel arch liner	CABIN RH
C4RB02A	Module-Blind spot monitoring-RH	Black	6	Behind RH side of rear bumper	CABIN LH
C4RB02A	Module-Blind spot monitoring-RH	Black	6	Behind RH side of rear bumper	CABIN RH
C4RB02B	Module-Blind spot monitoring-LH	Black	6	Behind LH side of rear bumper	CABIN LH
C4RB02B	Module-Blind spot monitoring-LH	Black	6	Behind LH side of rear bumper	CABIN RH
C7ME12	Speaker-Low range-Rear door-LH	Natural	4	Behind LH side of rear bumper	CABIN LH
C7ME40	Tweeter-Rear-LH	Black	3	Behind LH rear door trim panel	REAR DOOR LHS
C7PK12	LH rear door latch module	Black	4	Behind LH rear door trim panel	REAR DOOR LHS
C7PK25	LH rear door handle module	Black	6	Behind LH rear door trim panel	REAR DOOR LHS
C7PL01	Module-Rear door-LH	Black	22	Behind LH rear door trim panel	REAR DOOR LHS
C7PL72	LH rear door latch module	Black	10	Behind LH rear door trim panel	REAR DOOR LHS
C7PW23	Switch-Window-Rear-LH	Light blue	5	Behind LH rear door trim panel	REAR DOOR LHS
C7PW24	Motor-Window-Rear-LH	Dark grey	6	Behind LH rear door trim panel	REAR DOOR LHS
C8ME12	Speaker-Low range-Rear door-RH	Natural	4	Behind RH rear door trim panel	REAR DOOR RHS
C8ME40	Tweeter-Rear-RH	Black	3	Behind RH rear door trim panel	REAR DOOR RHS
C8PK11	RH rear door latch module	Black	4	Behind RH rear door trim panel	REAR DOOR RHS
C8PK26	RH rear door handle module	Black	6	Behind RH rear door trim panel	REAR DOOR RHS
C8PL01	Module-Rear door-RH	Black	22	Behind RH rear door trim panel	REAR DOOR RHS

Connector	Description	Color	Cav	Location	Harness
C8PL72	RH rear door latch module	Black	10	Behind RH rear door trim panel	REAR DOOR RHS
C8PW23	Switch-Window-Rear-RH	Light blue	5	Behind RH rear door trim panel	REAR DOOR RHS
C8PW24	Motor-Window-Rear-RH	Dark grey	6	Behind RH rear door trim panel	REAR DOOR RHS
C9LN23	Mirror-Vanity-LH	Black	2	Headlining - Front LH side	ROOF
C9LN24	Mirror-Vanity-RH	Black	2	Headlining - Front RH side	ROOF
C9LN27	Lamp-Interior-Rear	Green	3	Rear of headlining	ROOF
C9LN28	Overhead console	Grey	20	Behind interior light	CABIN LH
C9LN28	Overhead console	Grey	20	Behind interior light	CABIN RH
C9ME31A	Antenna-Triple TV		1	Behind 'C' post upper trim panel-RH side	CABIN LH
C9ME31A	Antenna-Triple TV		1	Behind 'C' post upper trim panel-RH side	CABIN RH
C9ME31B	Antenna-Triple TV		1	Behind 'C' post upper trim panel-RH side	CABIN LH
C9ME31B	Antenna-Triple TV		1	Behind 'C' post upper trim panel-RH side	CABIN RH
C9ME32	Antenna-TV		1	Behind 'C' post upper trim panel-LH side	CABIN LH
C9ME32	Antenna-TV		1	Behind 'C' post upper trim panel-LH side	CABIN RH
C9ME35A	AM/FM diversity antenna amplifier		1	Behind 'C' post upper trim panel-LH side	CABIN LH
C9ME35A	AM/FM diversity antenna amplifier		1	Behind 'C' post upper trim panel-LH side	CABIN RH
C9ME35B	AM/FM diversity antenna amplifier	Red	1	Behind 'C' post upper trim panel-LH side	CABIN LH
C9ME35B	AM/FM diversity antenna amplifier	Red	1	Behind 'C' post upper trim panel-LH side	CABIN RH
C9ME35C	AM/FM diversity antenna amplifier		1	Behind 'C' post upper trim panel-LH side	CABIN LH
C9ME35C	AM/FM diversity antenna amplifier		1	Behind 'C' post upper trim panel-LH side	CABIN RH
C9ME35D	AM/FM diversity antenna amplifier		1	Behind 'C' post upper trim panel-LH side	CABIN LH
C9ME35D	AM/FM diversity antenna amplifier		1	Behind 'C' post upper trim panel-LH side	CABIN RH
C9ME35E	AM/FM diversity antenna amplifier		1	Behind 'C' post upper trim panel-LH side	CABIN LH
C9ME35E	AM/FM diversity antenna amplifier		1	Behind 'C' post upper trim panel-LH side	CABIN RH
C9MN03A	GPS antenna		1	Rear of headlining	CABIN LH
C9MN03A	GPS antenna		1	Rear of headlining	CABIN RH
C9MN03B	SDARS antenna		1	Rear of headlining	CABIN LH
C9MN03B	SDARS antenna		1	Rear of headlining	CABIN RH
C9MN03C	Antenna-DAB		1	Rear of headlining	CABIN LH
C9MN03C	Antenna-DAB		1	Rear of headlining	CABIN RH
C9PM05	Mirror-Interior	Grey	8	Top of windshield	ROOF
C9PR32	Roof opening panel control module	Light grey	10	Behind interior light	CABIN LH
C9PR32	Roof opening panel control module	Light grey	10	Behind interior light	CABIN RH
C9PR88	Motor-Sun blind	Light grey	4	RH 'C' post	CABIN LH
C9PR88	Motor-Sun blind	Light grey	4	RH 'C' post	CABIN RH
C9R109	Air bag-Side curtain-LH		1	Top of LH 'B' post, behind headlining	CABIN LH
C9R109	Air bag-Side curtain-LH		1	Top of LH 'B' post, behind headlining	CABIN RH
C9R111	Air bag-Side curtain-RH		1	Behind headlining top of RH 'B' post	CABIN LH
C9R111	Air bag-Side curtain-RH		1	Behind headlining top of RH 'B' post	CABIN RH
C9RD03A	Windshield LH heater element	Black	1	LH 'A' post	CABIN LH
C9RD03A	Windshield LH heater element	Black	1	LH 'A' post	CABIN RH

Connector	Description	Color	Cav	Location	Harness
C9RD03B	Windshield LH heater element	Black	1	LH 'A' post	CABIN LH
C9RD03B	Windshield LH heater element	Black	1	LH 'A' post	CABIN RH
C9RD04A	Windshield RH heater element	Black	1	RH 'A' post	CABIN LH
C9RD04A	Windshield RH heater element	Black	1	RH 'A' post	CABIN RH
C9RD04B	Windshield RH heater element	Black	1	RH 'A' post	CABIN LH
C9RD04B	Windshield RH heater element	Black	1	RH 'A' post	CABIN RH
C9RD09B	Heated rear window (HRW)	Black	1	Behind 'C' post upper trim panel-RH side	ANTENNA LINK
C9RD0A	RF filter	Black	1	Behind 'C' post upper trim panel-LH side	CABIN LH
C9RD0A	RF filter	Black	1	Behind 'C' post upper trim panel-LH side	CABIN RH
C9RT03	Receiver-Radio-frequency (RF)	Black	3	Rear of headlining	ROOF
C9RW06	Sensor-Rain	Black	3	Top of windshield	ROOF
CALN45	LED-Door handle-Front-LH	Light grey	2	Behind driver door trim panel	DRIVER DOOR LHD
CALN45	LED-Door handle-Front-RH	Light grey	2	Behind driver door trim panel	DRIVER DOOR RHD
CAME07	Speaker-Low range-Front door-LH	Natural	4	Behind driver door trim panel	DRIVER DOOR LHD
CAME07	Speaker-Low range-Front door-RH	Natural	4	Behind driver door trim panel	DRIVER DOOR RHD
CAME08	Front Tweeter-LH	Black	3	Behind driver door cheater panel	DRIVER DOOR LHD
CAME08	Front Tweeter-Driver	Black	3	Behind driver door cheater panel	DRIVER DOOR RHD
CAME26	Speaker-Low range-Front door-LH	Black	3	Behind driver door trim panel	DRIVER DOOR LHD
CAME26	Speaker-Low range-Front door-RH	Black	3	Behind driver door trim panel	DRIVER DOOR RHD
CAPK09	Module-Door latch-Driver	Black	4	Behind driver door trim panel	DRIVER DOOR LHD
CAPK09	Module-Door latch-Driver	Black	4	Behind driver door trim panel	DRIVER DOOR RHD
CAPK23	Handle-Driver door	Black	6	Behind driver door trim panel	DRIVER DOOR LHD
CAPK23	Handle-Driver door	Black	6	Behind driver door trim panel	DRIVER DOOR RHD
CAPL63	Motor-Central door-locking-Driver	Black	10	Behind driver door trim panel	DRIVER DOOR LHD
CAPL63	Motor-Central door-locking-Driver	Black	10	Behind driver door trim panel	DRIVER DOOR RHD
CAPM26	Mirror-Door-Driver side	Dark grey	22	Behind driver door trim panel	DRIVER DOOR LHD
CAPM26	Mirror-Door-Driver side	Dark grey	22	Behind driver door trim panel	DRIVER DOOR RHD
CAPS15	Switch-Seat memory-Driver	Black	8	Behind driver door trim panel	DRIVER DOOR LHD
CAPS15	Switch-Seat memory-Driver	Black	8	Behind driver door trim panel	DRIVER DOOR RHD
CAPW02A	Module-Driver-door	Black	22	Behind driver door trim panel	DRIVER DOOR LHD
CAPW02A	Module-Driver-door	Black	22	Behind driver door trim panel	DRIVER DOOR RHD
CAPW02B	Module-Driver-door	Black	24	Behind driver door trim panel	DRIVER DOOR LHD
CAPW02B	Module-Driver-door	Black	24	Behind driver door trim panel	DRIVER DOOR RHD
CAPW10	Switch-Window-Driver door	Light blue	5	Behind driver door trim panel	DRIVER DOOR LHD
CAPW10	Switch-Window-Driver door	Light blue	5	Behind driver door trim panel	DRIVER DOOR RHD
CAPW11	Motor-Window-Driver	Dark grey	6	Behind driver door trim panel	DRIVER DOOR LHD
CAPW11	Motor-Window-Driver	Dark grey	6	Behind driver door trim panel	DRIVER DOOR RHD
CAR217A	Sensor-Side impact-Driver door	Black	2	Behind driver door trim panel	DRIVER DOOR LHD
CAR217A	Sensor-Side impact-Driver door	Black	2	Behind driver door trim panel	DRIVER DOOR RHD
CBLN46	LED-Door handle-Front-RH	Light grey	2	Behind passenger door trim panel	PASSENGER DOOR LHD

Connector	Description	Color	Cav	Location	Harness
CBLN46	LED-Door handle-Front-LH	Light grey	2	Behind passenger door trim panel	PASSENGER DOOR RHD
CBME10	Speaker-Low range-Front door-RH	Natural	4	Behind passenger door trim panel	PASSENGER DOOR LHD
CBME10	Speaker-Low range-Front door-LH	Natural	4	Behind passenger door trim panel	PASSENGER DOOR RHD
CBME11	Front Tweeter-RH	Black	3	Behind passenger door trim panel	PASSENGER DOOR LHD
CBME11	Front Tweeter-LH	Black	3	Behind passenger door trim panel	PASSENGER DOOR RHD
CBME25	Speaker-Low range-Front door-RH	Black	3	Behind passenger door trim panel	PASSENGER DOOR LHD
CBME25	Speaker-Low range-Front door-LH	Black	3	Behind passenger door trim panel	PASSENGER DOOR RHD
CBPK10	Module-Door latch-Passenger	Black	4	Behind passenger door trim panel	PASSENGER DOOR LHD
CBPK10	Module-Door latch-Passenger	Black	4	Behind passenger door trim panel	PASSENGER DOOR RHD
CBPK24	Handle-Passenger door	Black	6	Behind passenger door trim panel	PASSENGER DOOR LHD
CBPK24	Handle-Passenger door	Black	6	Behind passenger door trim panel	PASSENGER DOOR RHD
CBPL64	Motor-Central door-locking-Passenger	Black	10	Behind passenger door trim panel	PASSENGER DOOR LHD
CBPL64	Motor-Central door-locking-Passenger	Black	10	Behind passenger door trim panel	PASSENGER DOOR RHD
CBPM31	Mirror-Door-Passenger side	Dark grey	22	Behind passenger door trim panel	PASSENGER DOOR LHD
CBPM31	Mirror-Door-Passenger side	Dark grey	22	Behind passenger door trim panel	PASSENGER DOOR RHD
CBPW04A	Module-Passenger-door	Grey	22	Behind passenger door trim panel	PASSENGER DOOR LHD
CBPW04A	Module-Passenger-door	Grey	22	Behind passenger door trim panel	PASSENGER DOOR RHD
CBPW04B	Module-Passenger-door	Grey	24	Behind passenger door trim panel	PASSENGER DOOR LHD
CBPW04B	Module-Passenger-door	Grey	24	Behind passenger door trim panel	PASSENGER DOOR RHD
CBPW19	Switch-Window-Passenger door	Light blue	5	Behind passenger door trim panel	PASSENGER DOOR LHD
CBPW19	Switch-Window-Passenger door	Light blue	5	Behind passenger door trim panel	PASSENGER DOOR RHD
CBPW20	Motor-Window-Passenger	Dark grey	6	Behind passenger door trim panel	PASSENGER DOOR LHD
CBPW20	Motor-Window-Passenger	Dark grey	6	Behind passenger door trim panel	PASSENGER DOOR RHD
CBR218B	Sensor-Side impact-Passenger door	Black	2	Behind passenger door trim panel	PASSENGER DOOR LHD
CBR218B	Sensor-Side impact-Passenger door	Black	2	Behind passenger door trim panel	PASSENGER DOOR RHD
G1D108	Ground-Electronic-control module (ECM)		1	Behind RH front wheel arch liner	ENGINE COMPARTMENT LH
G1D108	Ground-Electronic-control module (ECM)		1	Behind LH front wheel arch liner	ENGINE COMPARTMENT RH
G1D120	Ground-ABS		1	Rear RH side of engine compartment	ENGINE COMPARTMENT LH
G1D120	Ground-ABS		1	Rear LH side of engine compartment	ENGINE COMPARTMENT RH
G1D123	Ground point		1	Rear RH side of engine compartment	ENGINE COMPARTMENT LH
G1D123	Ground point		1	Rear LH side of engine compartment	ENGINE COMPARTMENT RH
G1D124	Ground - DV6		1	Behind RH front wheel arch liner	ENGINE COMPARTMENT LH
G1D124	Ground - PV6		1	Behind RH front wheel arch liner	STARTER 3.0L DIESEL
G1D124	Ground - PV8		1	Behind RH front wheel arch liner	STARTER V6
G1D124	Ground - PV8		1	Behind RH front wheel arch liner	STARTER AJ133
G1D129	Ground point		1	Behind LH headlamp	STARTER V8
G1D129	Ground point		1	Behind LH headlamp	ENGINE COMPARTMENT LH
G1D131	Ground point		1	Behind RH headlamp	ENGINE COMPARTMENT RH
G1D131	Ground point		1	Behind RH headlamp	ENGINE COMPARTMENT LH
G1D132A	Ground point		1	Behind RH headlamp	ENGINE COMPARTMENT RH
G1D132A	Ground point		1	Behind RH headlamp	ENGINE COMPARTMENT LH

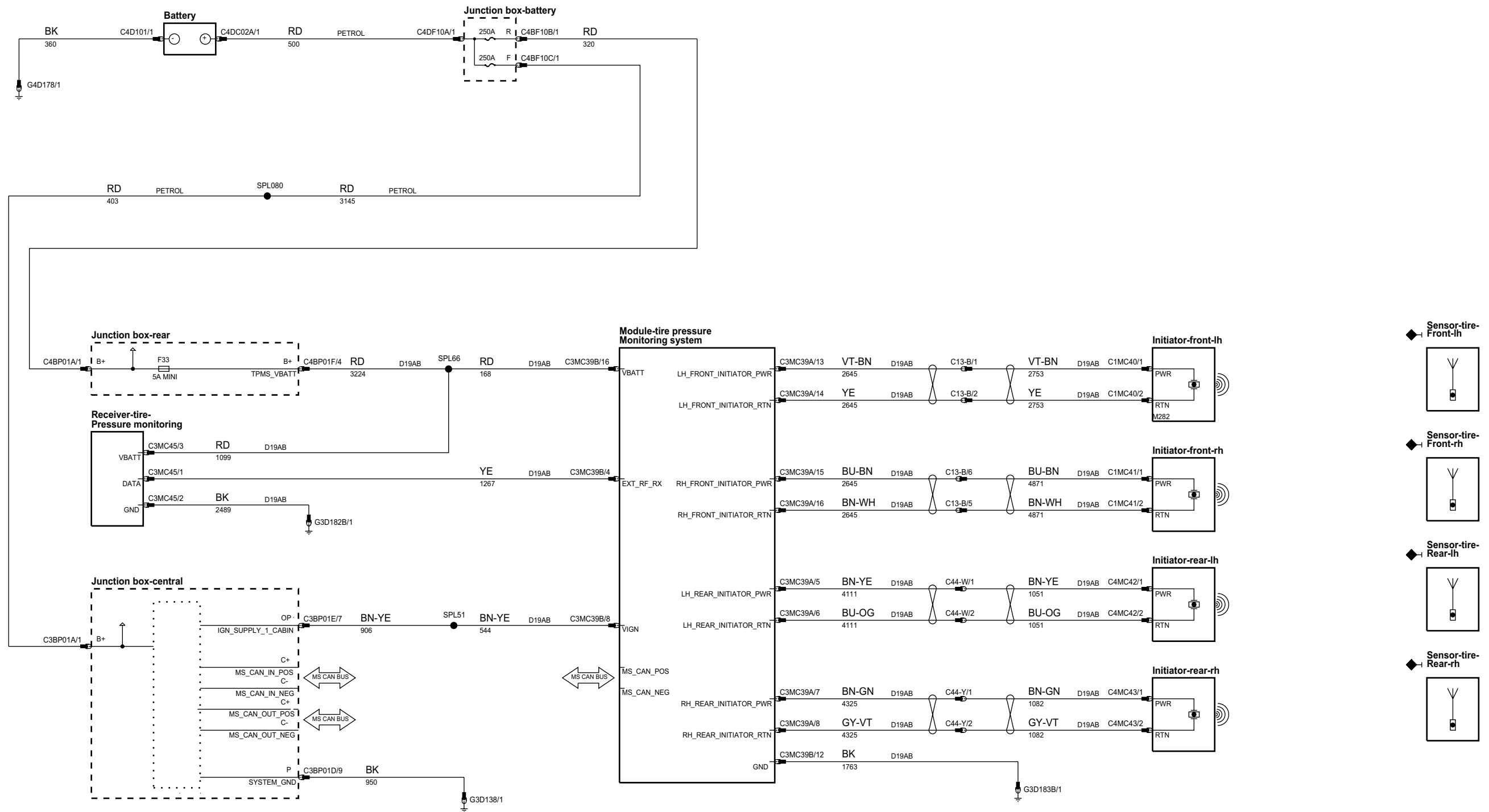
Connector	Description	Color	Cav	Location	Harness
G1D132B	Ground point		1	Behind RH headlamp	ENGINE COMPARTMENT LH
G1D132B	Ground point		1	Behind RH headlamp	ENGINE COMPARTMENT RH
G2D114	Ground point		1	Behind center of Instrument panel	INSTRUMENT PANEL LHD
G2D114	Ground point		1	Behind center of Instrument panel	INSTRUMENT PANEL RHD
G2D115	Ground point		1	Behind instrument cluster	INSTRUMENT PANEL LHD
G2D115	Ground point		1	Behind instrument cluster	INSTRUMENT PANEL RHD
G2D116	Ground point		1	Behind instrument cluster	INSTRUMENT PANEL LHD
G2D116	Ground point		1	Behind instrument cluster	INSTRUMENT PANEL RHD
G3D133	Ground point		1	LH 'A' post	CABIN LH
G3D133	Ground point		1	LH 'A' post	CABIN RH
G3D138	Ground point		1	RH 'A' post	CABIN RH
G3D138	Ground point		1	RH 'A' post	CABIN LH
G3D161	Ground point		1	LH 'C' post	CABIN LH
G3D161	Ground point		1	LH 'C' post	CABIN RH
G3D162	Ground point		1	RH 'C' post	CABIN LH
G3D162	Ground point		1	RH 'C' post	CABIN RH
G3D169	Ground point		1	Beneath center console LH side	PTC CABLE NEGATIVE
G3D174	Ground-SRS		1	Beneath center console	CABIN LH
G3D174	Ground-SRS		1	Beneath center console	CABIN RH
G3D182A	Ground point		1	Beneath LH Front seat	CABIN LH
G3D182A	Ground point		1	Beneath LH Front seat	CABIN RH
G3D182B	Ground point		1	Beneath LH Front seat	CABIN LH
G3D182B	Ground point		1	Beneath LH Front seat	CABIN RH
G3D183A	Ground point		1	Beneath RH Front seat	CABIN LH
G3D183A	Ground point		1	Beneath RH Front seat	CABIN RH
G3D183B	Ground point		1	Beneath RH Front seat	CABIN LH
G3D183B	Ground point		1	Beneath RH Front seat	CABIN RH
G4D171	Ground point		1	Luggage compartment - LH side	CABIN LH
G4D171	Ground point		1	Luggage compartment - LH side	CABIN RH
G4D172	Ground point		1	Luggage compartment - LH side	CABIN LH
G4D172	Ground point		1	Luggage compartment - LH side	CABIN RH
G4D173	Ground point		1	Luggage compartment - LH side	CABIN LH
G4D173	Ground point		1	Luggage compartment - LH side	CABIN RH
G4D178	Ground point		1	Behind luggage compartment carpet RH side	CABIN LH
G4D178	Ground point		1	Behind luggage compartment carpet RH side	CABIN RH
G9D149	Ground point		1	Behind luggage compartment carpet RH side	BATTERY NEGATIVE
GB002	TCM and Control Valve Body - DV6	Black	16	Behind 'C' post upper trim panel-RH side	ANTENNA LINK
GB002	TCM and Control Valve Body - PV6	Black	16	RH side of gearbox	GEARBOX AUTO DIESEL 3.0L
GB002	TCM and Control Valve Body - PV8NA	Black	16	RH side of gearbox	ENGINE PETROL V6
IL003	Fuel injector-No.1 - PV6	Grey	2	Top of engine	ENGINE PETROL V8 N/A
IL004	Fuel injector-No.3 - PV6	Grey	2	Top of engine	INJECTOR

Connector	Description	Color	Cav	Location	Harness
IL005	Fuel injector-No.5 - PV6	Grey	2	Top of engine	INJECTOR
IL006	Fuel injector-No.2 - PV6	Black	2	Top of engine	INJECTOR
IL007	Fuel injector-No.4 - PV6	Black	2	Top of engine	INJECTOR
IL008	Fuel injector-No.6 - PV6	Black	2	Top of engine	INJECTOR
IL009	Sensor-Temperature-Fuel rail - PV6	Natural	2	Top of engine	INJECTOR
IL010	Injector harness to engine harness	Black	12	Top of engine	INJECTOR
IL010	Engine harness to injector harness	Black	12	Rear RH side of engine	ENGINE PETROL V6
IL012	Sensor-Pressure-Fuel rail	Black	3	Top of engine	INJECTOR
PI002	Ignition coil-1 - PV6	Black	4	Top of engine - RH side	ENGINE PETROL V6
PI002	Ignition coil-1 - PV8NA	Black	4	Top of engine - RH side	ENGINE PETROL V8 N/A
PI003	Ignition coil-2 - PV6	Black	4	Top of engine - RH side	ENGINE PETROL V6
PI003	Ignition coil-2 - PV8NA	Black	4	Top of engine - RH side	ENGINE PETROL V8 N/A
PI004	Ignition coil-3 - PV6	Black	4	Top of engine - RH side	ENGINE PETROL V6
PI004	Ignition coil-3 - PV8NA	Black	4	Top of engine - RH side	ENGINE PETROL V8 N/A
PI005	Ignition coil-4 - PV8NA	Black	4	Top of engine - RH side	ENGINE PETROL V8 N/A
PI006	Ignition coil-4 - PV6	Black	4	Top of engine - LH side	ENGINE PETROL V6
PI006	Ignition coil-5 - PV8NA	Black	4	Top of engine - LH side	ENGINE PETROL V8 N/A
PI007	Ignition coil-5 - PV6	Black	4	Top of engine - LH side	ENGINE PETROL V6
PI007	Ignition coil-6 - PV8NA	Black	4	Top of engine - LH side	ENGINE PETROL V8 N/A
PI008	Ignition coil-6 - PV6	Black	4	Top of engine - LH side	ENGINE PETROL V6
PI008	Ignition coil-7 - PV8NA	Black	4	Top of engine - LH side	ENGINE PETROL V8 N/A
PI009	Ignition coil-8 - PV8NA	Black	4	Top of engine - LH side	ENGINE PETROL V8 N/A
PI010	Sensor-Oxygen-Odd-Pre-catalyst - PV8NA	Dark grey	4	RH side of gearbox	ENGINE PETROL V8 N/A
PI010	Sensor-Oxygen-Odd-Pre-catalyst - PV6	Dark grey	4	RH side of gearbox	ENGINE PETROL V6
PI011	Sensor-Oxygen-Odd-Post catalyst - PV8NA	Black	4	RH side of gearbox	ENGINE PETROL V8 N/A
PI011	Sensor-Oxygen-Odd-Post catalyst - PV6	Black	4	RH side of gearbox	ENGINE PETROL V6
PI012	Sensor-Oxygen-Even-Pre-catalyst - PV8NA	Dark grey	4	LH side of gearbox	ENGINE PETROL V8 N/A
PI012	Sensor-Oxygen-Even-Pre-catalyst - PV6	Dark grey	4	LH side of gearbox	ENGINE PETROL V6
PI013	Sensor-Oxygen-Even-Post catalyst - PV8NA	Black	4	LH side of gearbox	ENGINE PETROL V8 N/A
PI013	Sensor-Oxygen-Even-Post catalyst - PV6	Black	4	LH side of gearbox	ENGINE PETROL V6
PI014	Sensor-Mass air-flow (MAF) - PV6	Black	5	Front LH side of engine compartment	ENGINE PETROL V6
PI014	Sensor-Mass air-flow (MAF) - PV8NA	Black	5	Front LH side of engine compartment	ENGINE PETROL V8 N/A
PI015	Stepper Motor-EGR - PV8NA	Dark grey	6	Top of engine - RH side	ENGINE PETROL V8 N/A
PI016	Valve-Oil-Variable-valve timing - PV6	Black	2	Top front of engine - RH side	ENGINE PETROL V6
PI016	Valve-Oil-Variable-valve timing - PV8NA	Black	2	Top front of engine - RH side	ENGINE PETROL V8 N/A
PI017	Valve-Oil-Variable-valve timing - PV6	Black	2	Top front of engine - LH side	ENGINE PETROL V6
PI017	Valve-Oil-Variable-valve timing - PV8NA	Black	2	Top front of engine - LH side	ENGINE PETROL V8 N/A
PI019	Sensor-twin knock - PV8NA	Black	4	Top of engine - LH side	ENGINE PETROL V8 N/A
PI021	Sensor-Crankshaft-position (CKP) - PV6	Black	2	Lower front of engine - RH side	ENGINE PETROL V6
PI021	Sensor-Crankshaft-position (CKP) - PV8NA	Black	2	Bottom of engine	ENGINE PETROL V8 N/A
PI022	Sensor-Camshaft-position (CMP)-bank 2 - PV6	Black	2	Front LH side of engine	ENGINE PETROL V6

Connector	Description	Color	Cav	Location	Harness
PI022	Sensor-Camshaft-position (CMP)-bank 2 - PV8NA	Black	2	Rear LH side of engine	ENGINE PETROL V8 N/A
PI023	Sensor-Camshaft-position (CMP)-bank 1 - PV6	Black	2	Front RH side of engine	ENGINE PETROL V6
PI023	Sensor-Camshaft-position (CMP)-bank 1 - PV8NA	Black	2	Rear RH side of engine	ENGINE PETROL V8 N/A
PI024	Sensor-Oil-temperature - PV6	Grey	2	LH side of engine	ENGINE PETROL V6
PI024	Sensor-Oil-temperature - PV8NA	Grey	2	Lower front of engine - RH side	ENGINE PETROL V8 N/A
PI025	Sensor-Engine coolant-temperature (ECT) - PV6	Grey	2	Front of engine - center	ENGINE PETROL V6
PI025	Sensor-Engine coolant-temperature (ECT) - PV8NA	Black	2	Top of engine - LH side	ENGINE PETROL V8 N/A
PI027	Sensor-Temperature-Fuel rail - PV8NA	Grey	2	Rear RH side of engine	ENGINE PETROL V8 N/A
PI028	Sensor-Pressure-Fuel rail - PV8NA	Black	3	Top of engine - RH side	ENGINE PETROL V8 N/A
PI029	Sensor-Temperature and Manifold-Absolute Pressure (TMAP) - PV6	Black	4	Rear RH side of engine	ENGINE PETROL V6
PI029	Sensor-Temperature and Manifold-Absolute Pressure (TMAP) - PV8NA	Black	4	Center rear of engine	ENGINE PETROL V8 N/A
PI030	Valve-Inlet manifold tuning bank 1	Black	2	Rear RH side of engine	ENGINE PETROL V6
PI031	Valve-Inlet manifold tuning bank 2	Black	2	Rear RH side of engine	ENGINE PETROL V6
PI032	Fuel injector-No.1 - PV8NA	Black	2	Rear RH side of engine	ENGINE PETROL V6
PI033	Fuel injector-No.2 - PV8NA	Black	2	Top of engine - RH side	ENGINE PETROL V8 N/A
PI034	Fuel injector-No.3 - PV8NA	Black	2	Top of engine - RH side	ENGINE PETROL V8 N/A
PI035	Fuel injector-No.4 - PV8NA	Black	2	Top of engine - RH side	ENGINE PETROL V8 N/A
PI036	Fuel injector-No.5 - PV8NA	Black	2	Top of engine - RH side	ENGINE PETROL V8 N/A
PI037	Fuel injector-No.6 - PV8NA	Black	2	Top of engine - LH side	ENGINE PETROL V8 N/A
PI038	Fuel injector-No.7 - PV8NA	Black	2	Top of engine - LH side	ENGINE PETROL V8 N/A
PI039	Fuel injector-No.8 - PV8NA	Black	2	Top of engine - LH side	ENGINE PETROL V8 N/A
PI040	Motor-Throttle - PV6	Black	6	Top of engine	ENGINE PETROL V6
PI043	Sensor-Knock (KS) - PV6	Black	2	RH side of engine	ENGINE PETROL V6
PI044	Sensor-Knock (KS) - PV6	Black	2	Rear RH side of engine	ENGINE PETROL V6
PI046	Switch-Oil pressure - PV6	Black	1	LH side of engine	ENGINE PETROL V6
PI046	Switch-Oil pressure - PV8NA	Grey	1	Lower front of engine - RH side	ENGINE PETROL V8 N/A
PI048	Generator - PV6	Black	2	RH side of engine	ENGINE PETROL V6
PI048	Generator - PV8NA	Black	2	RH side of engine	ENGINE PETROL V8 N/A
PI049	Valve-Solenoid-Refrigerant - PV6	Black	2	LH side of engine	ENGINE PETROL V6
PI049	Valve-Solenoid-Refrigerant - PV8NA	Black	2	Front LH side of engine	ENGINE PETROL V8 N/A
PI051	Ground-Coil - PV6		1	Rear LH side of engine	ENGINE PETROL V6
PI051	Ground-Coil - PV8NA		1	Top of engine - RH side	ENGINE PETROL V8 N/A
PI052	Ground-Coil - PV8NA		1	Top of engine - LH side	ENGINE PETROL V8 N/A
PI054	Capacitor - PV6	Black	2	Rear LH side of engine	ENGINE PETROL V6
PI054	Capacitor - PV8NA	Black	2	Top of engine - RH side	ENGINE PETROL V8 N/A
PI054	Capacitor - PV8NA	Waterblue	2	Rear RH side of engine	ENGINE PETROL AJ133 N/A
PI054	Capacitor - PV8SC	Waterblue	2	Rear LH side of engine	ENGINE PETROL AJ133 S/C
PI061	Solenoid-Camshaft profile switching-bank 1	Grey	2	Rear RH side of engine compartment	ENGINE PETROL AJ133 N/A
PI063	Solenoid-Camshaft profile switching-bank 2	Grey	2	Rear LH side of engine compartment	ENGINE PETROL AJ133 N/A
PI080	Ground-Coil - PV8NA		1	Front RH side of engine	ENGINE PETROL AJ133 N/A

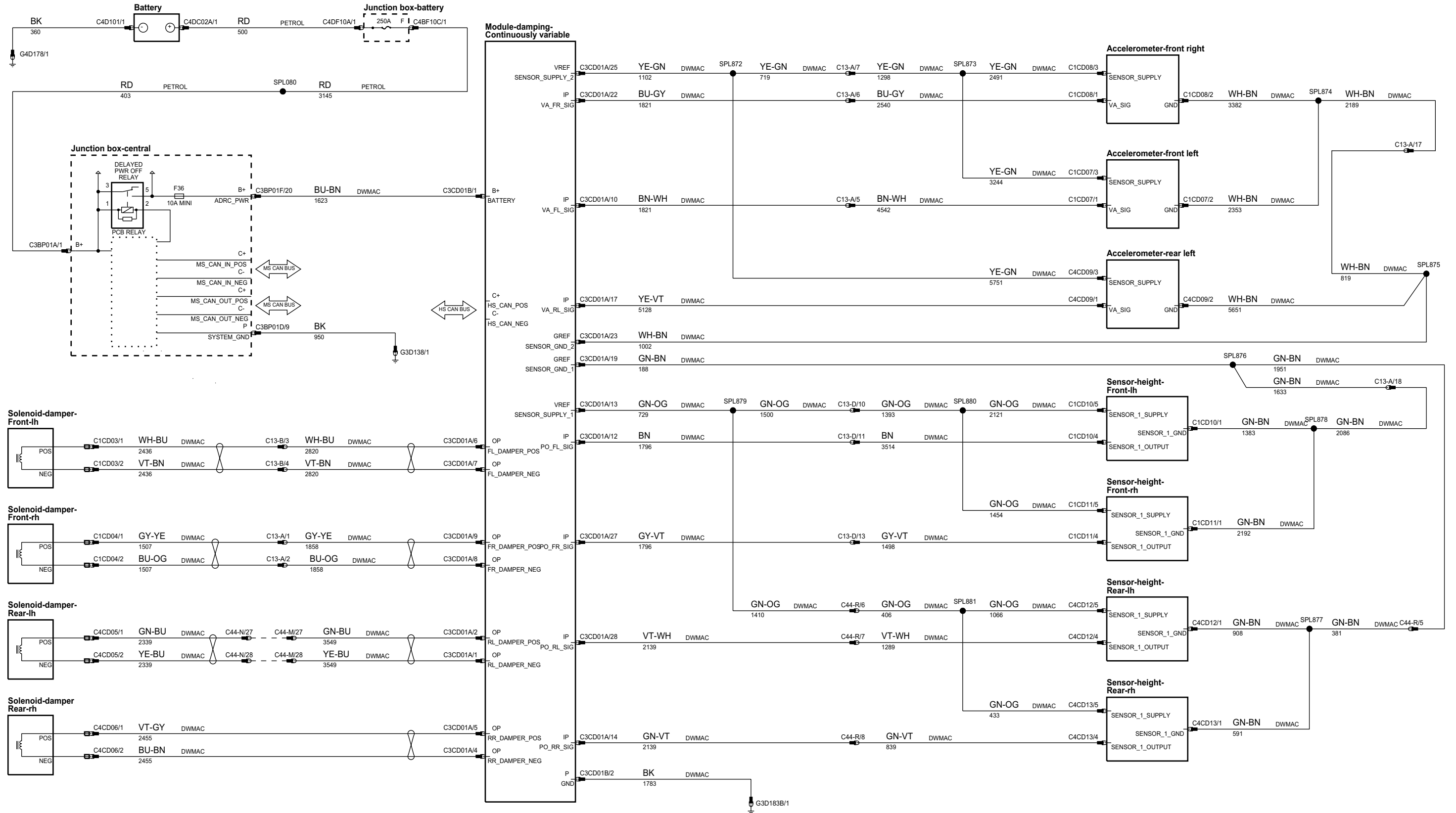
Connector	Description	Color	Cav	Location	Harness
PI080	Ground-Coil - PV8SC		1	Front RH side of engine	ENGINE PETROL AJ133 S/C
PI082	Ground-Coil - PV8NA		1	Front LH side of engine	ENGINE PETROL AJ133 N/A
PI082	Ground-Coil - PV8SC		1	Front LH side of engine	ENGINE PETROL AJ133 S/C
PI099	Solenoid-Starter-motor - PV8NA		1	Lower rear of engine - RH side	ENGINE PETROL AJ133 N/A
PI099	Solenoid-Starter-motor - PV8SC		1	Lower rear of engine - RH side	ENGINE PETROL AJ133 S/C
PI300	Engine control-module (ECM) - PV6	Black	96	Passenger side of engine compartment	ENGINE PETROL V6
PI300	Engine control-module (ECM) - PV8NA	Black	96	Passenger side of engine compartment	ENGINE PETROL V8 N/A
PI302	Solenoid-Vacuum (SAI) - PV6	Black	2	Front RH side of engine	ENGINE PETROL V6
PI302	Solenoid-Vacuum (SAI) - PV8NA	Black	2	Front RH side of engine	ENGINE PETROL V8 N/A
PI303	Motor-Throttle - PV8NA	Black	2	Front RH side of engine	ENGINE PETROL V8 N/A
PI304	Purge control valve - PV6	Black	6	Top front of engine - LH side	ENGINE PETROL V8 N/A
PI304	Purge control valve - PV8NA	Black	2	Top front of engine - RH side	ENGINE PETROL V6
PI306	Starter motor - PV6	Black	2	Top front of engine - RH side	ENGINE PETROL V8 N/A
PI306	Starter motor - PV8NA	Black	2	Top of engine - LH side	ENGINE PETROL V6
SA001	Clock spring	Black	1	RH side of engine	ENGINE PETROL V8 N/A
SA002	Air bag-Driver	Black	1	Lower rear of engine - RH side	STEERING WHEEL AIRBAG
SA003	Air bag-Driver	Black	4	In center of steering wheel	STEERING WHEEL AIRBAG
SA004	Clock spring	Black	2	In center of steering wheel	STEERING WHEEL AIRBAG
SW001	Slip rings-Steering wheel	Black	2	In center of steering wheel	STEERING WHEEL AIRBAG
SW002	Steering wheel inline link	Black	1	In center of steering wheel	STEERING WHEEL REMOTE ICE SWITCH
SW003	Switch-Remote-ICE	Black	1	In center of steering wheel	STEERING WHEEL HEATED
SW004	Switch-Remote-ICE	Black	6	In center of steering wheel	STEERING WHEEL REMOTE ICE SWITCH
SW005	Switch-Remote-ICE	Black	6	Behind steering column cowl	STEERING WHEEL REMOTE ICE SWITCH
SW006	ECU-Heated steering-wheel	Black	4	Behind steering column cowl	STEERING WHEEL REMOTE CRUISE SWITCH
SW007	Heater-Steering wheel	Black	5	Behind steering column cowl	STEERING WHEEL REMOTE PADDLE SWITCH
SW008	Switch-Horn	White	1	In center of steering wheel	STEERING WHEEL HEATED
SW009	Cruise controls-Remote	Black	1	In center of steering wheel	STEERING WHEEL HEATED
SW010	Upshift paddle switch	Black	4	Steering Wheel	STEERING WHEEL REMOTE ICE SWITCH
SW011	Downshift paddle switch	Black	3	Steering Wheel	STEERING WHEEL REMOTE CRUISE SWITCH
SW012	Switch-Horn	Black	3	Steering Wheel	STEERING WHEEL REMOTE PADDLE SWITCH
SW013	Switch-Horn	White	1	In center of steering wheel	STEERING WHEEL REMOTE PADDLE SWITCH
SW014	Switch-Horn	Natural	1	In center of steering wheel	STEERING WHEEL REMOTE ICE SWITCH
SW015	Slip rings-Steering wheel	Natural	1	In center of steering wheel	STEERING WHEEL REMOTE ICE SWITCH
VL002	Sensor-Knock (KS)	Black	1	In center of steering wheel	STEERING WHEEL REMOTE ICE SWITCH
VL004	Sensor-Knock (KS)	Black	2	Top of engine - LH side	STEERING WHEEL HEATED
		Black	2	Top of engine - LH side	KNOCK SENSORS PETROL
		Black	2	Top of engine - LH side	KNOCK SENSORS PETROL

phar83-70267-a-ae

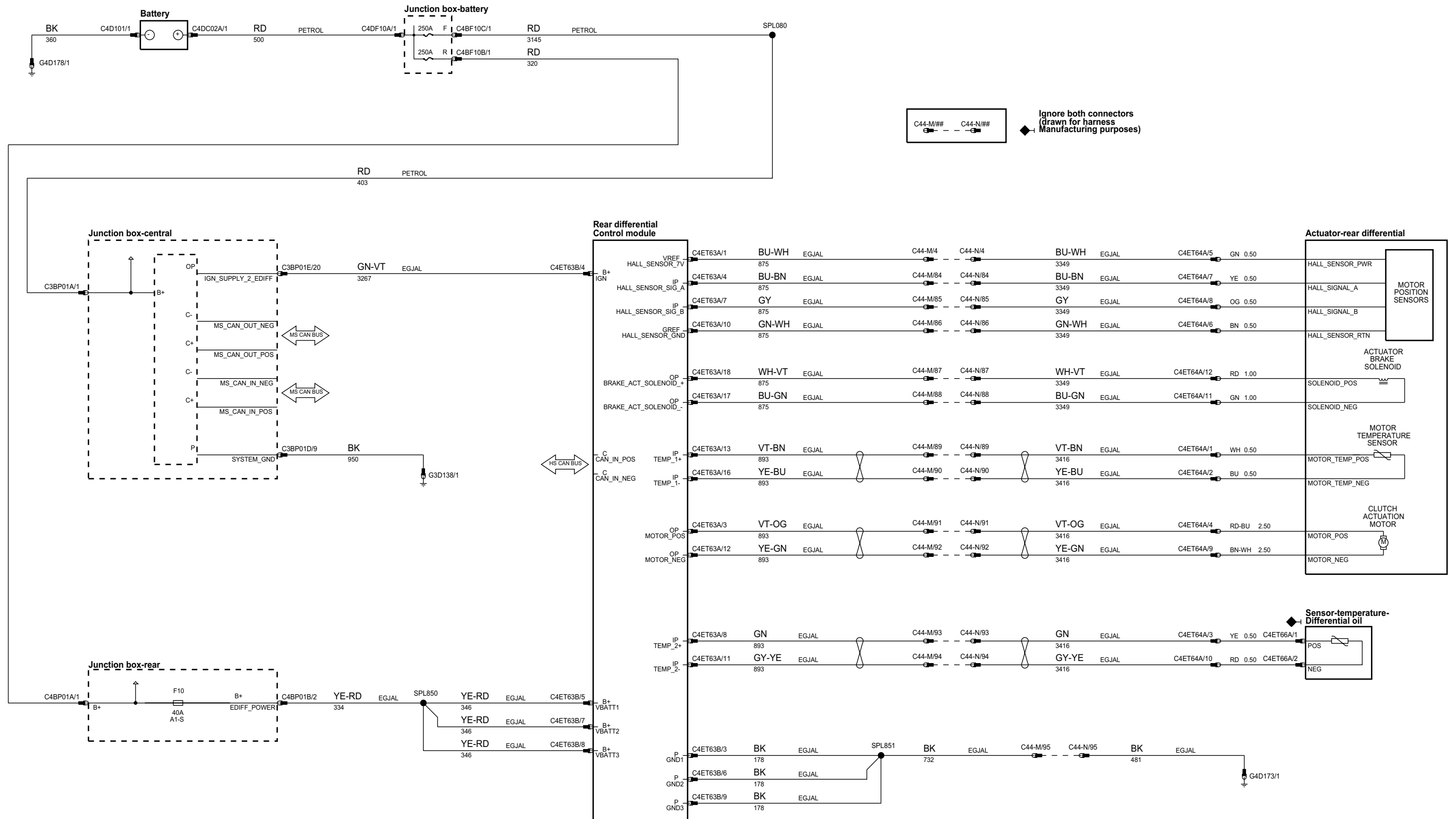


- ◆ **Sensor-tire-Front-lh**
- ◆ **Sensor-tire-Front-rh**
- ◆ **Sensor-tire-Rear-lh**
- ◆ **Sensor-tire-Rear-rh**

phar83-70180-a-ae

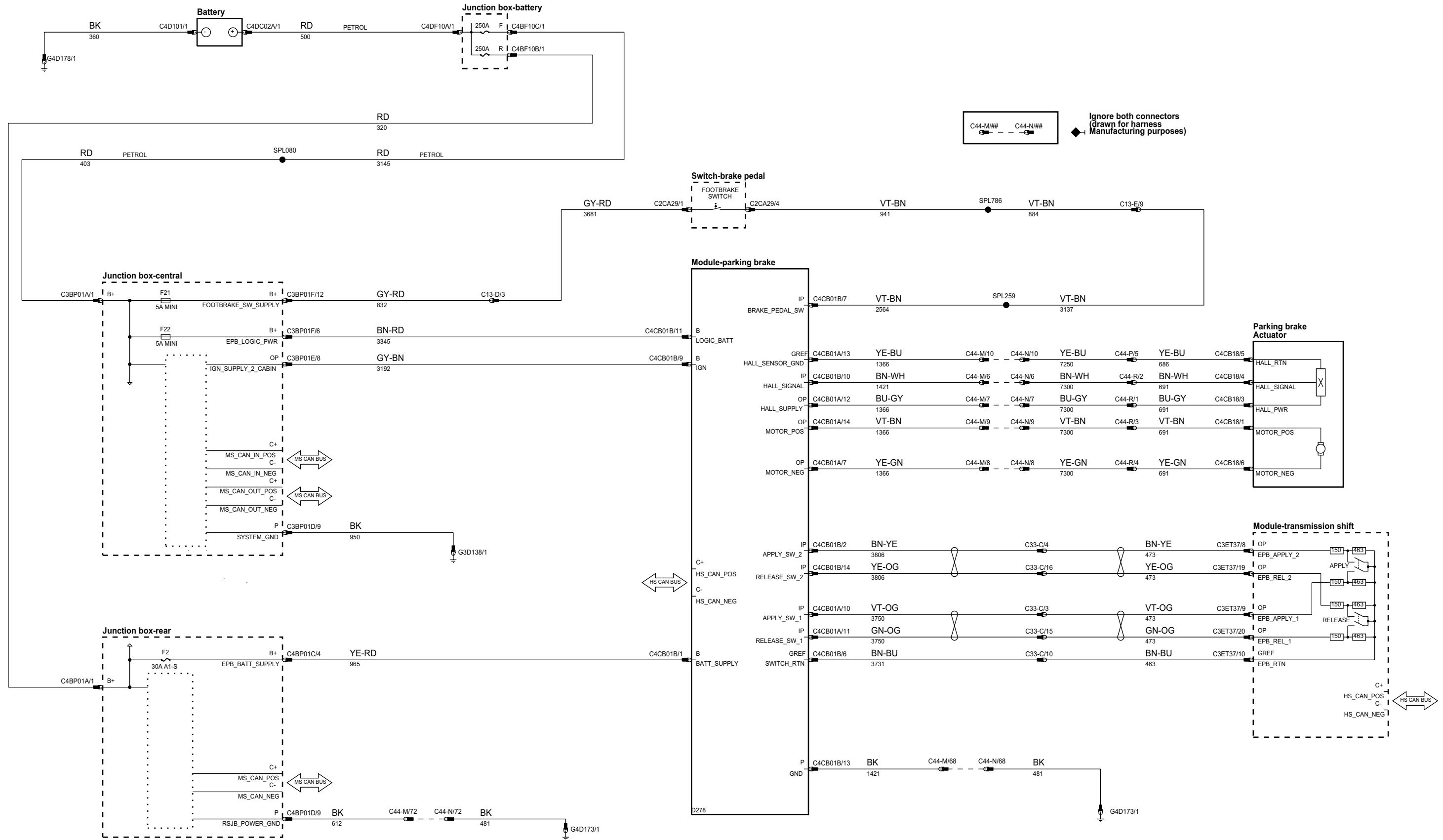


phar83-70046-a-ae

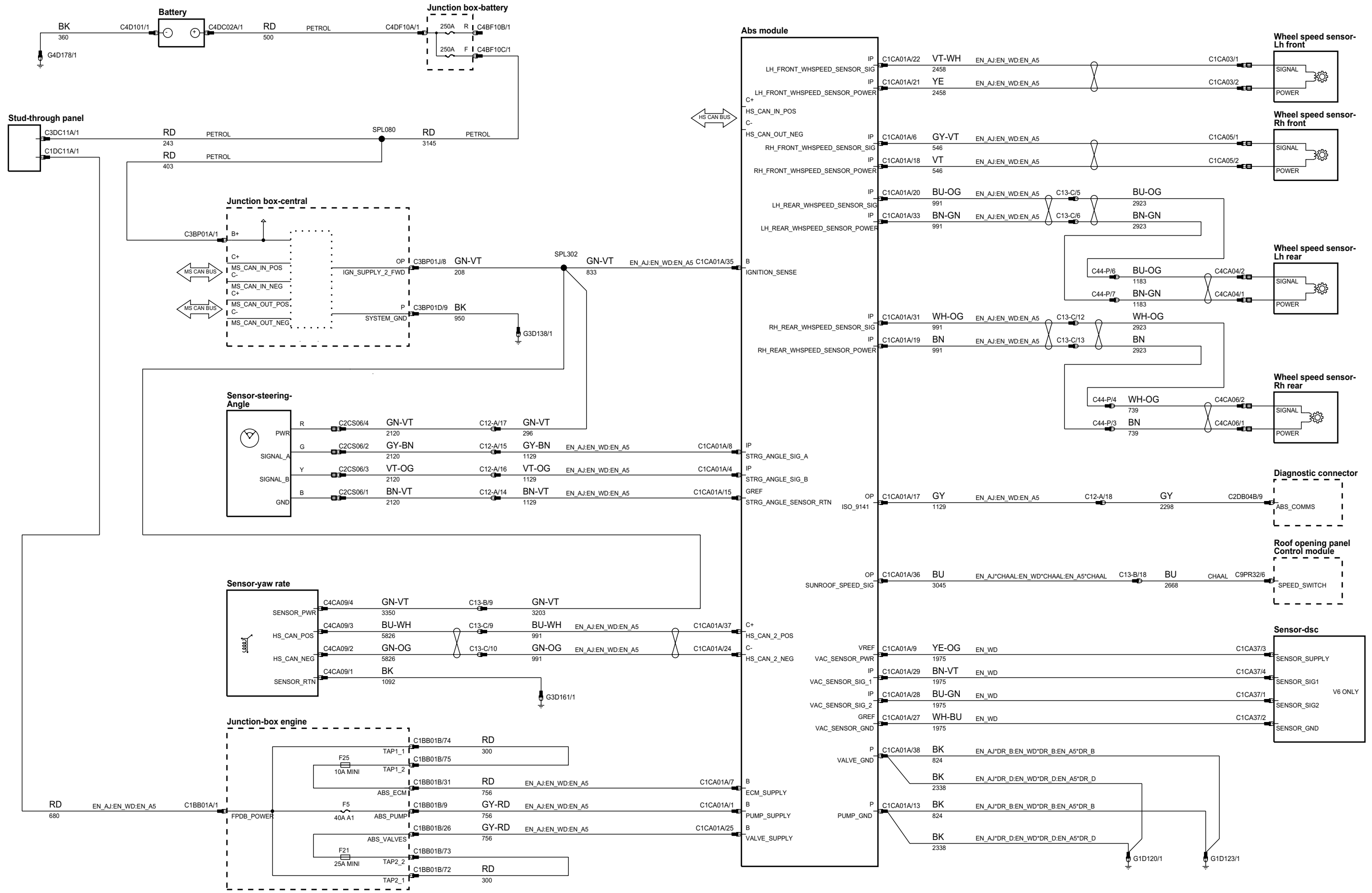


206-05 - PARKING BRAKE AND ACTUATION

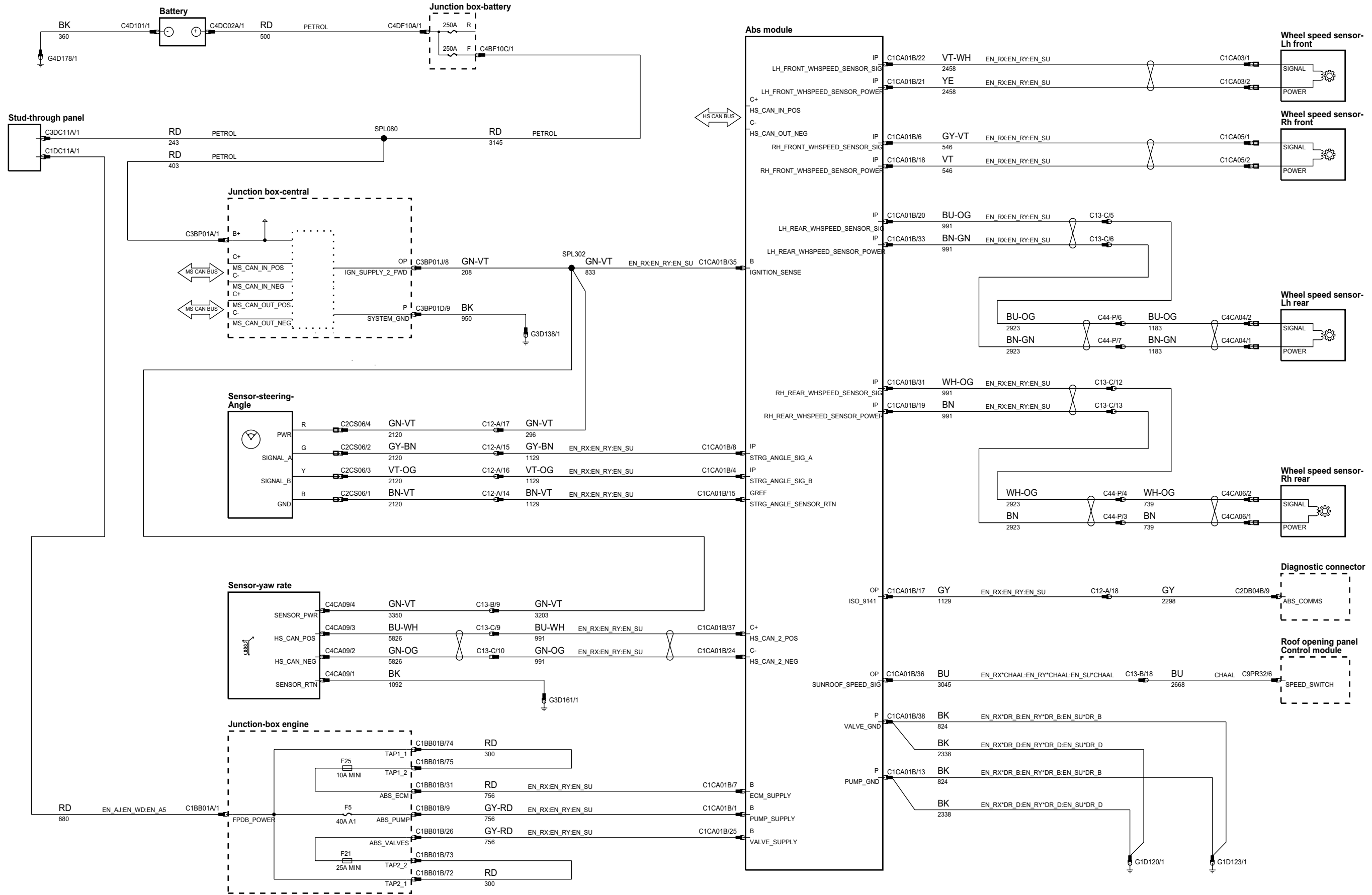
phar83-70167-a-ae



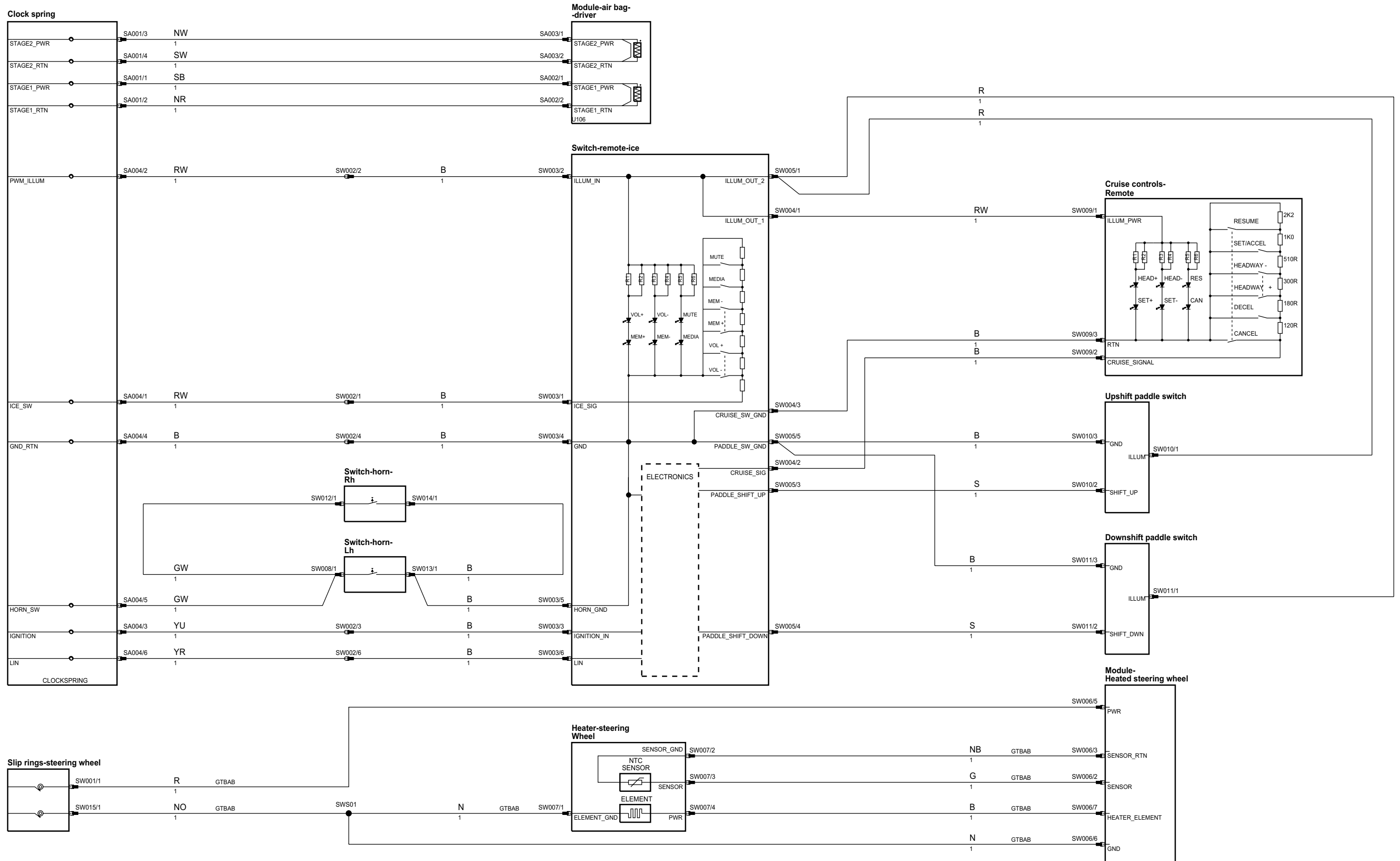
phar83-70165-a-ae



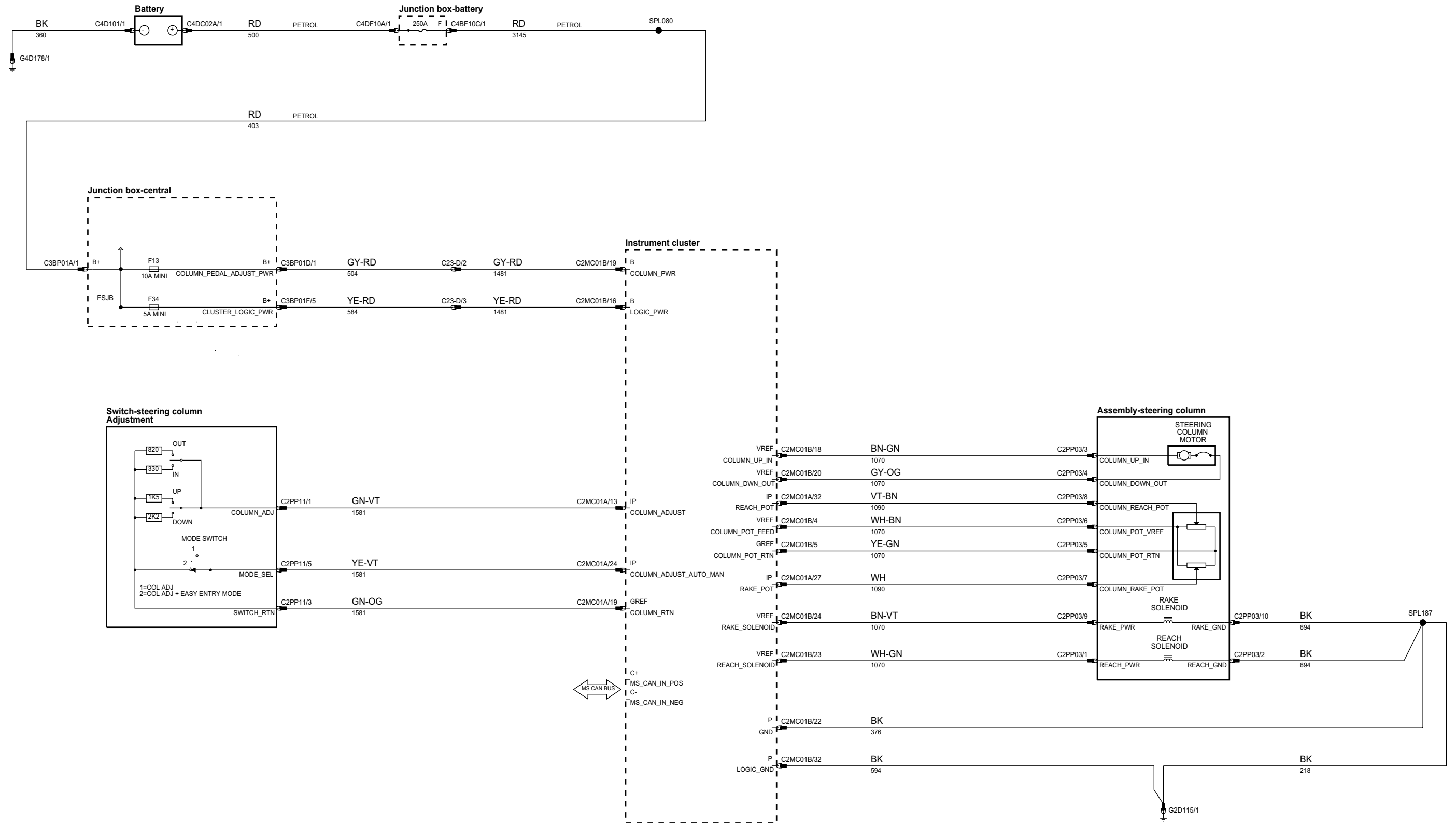
phar83-70165-b-ae



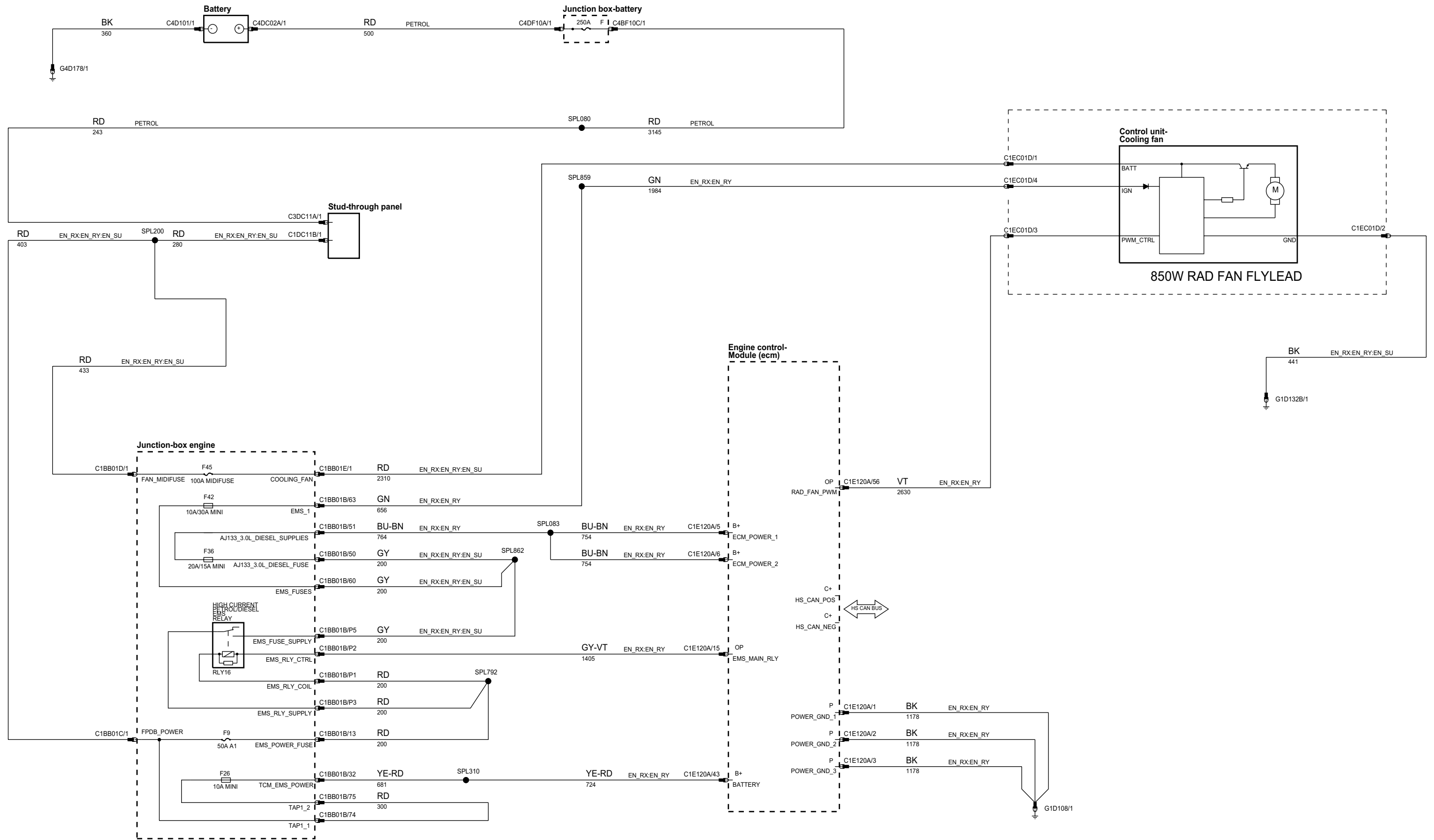
phar83-70170-a-ae



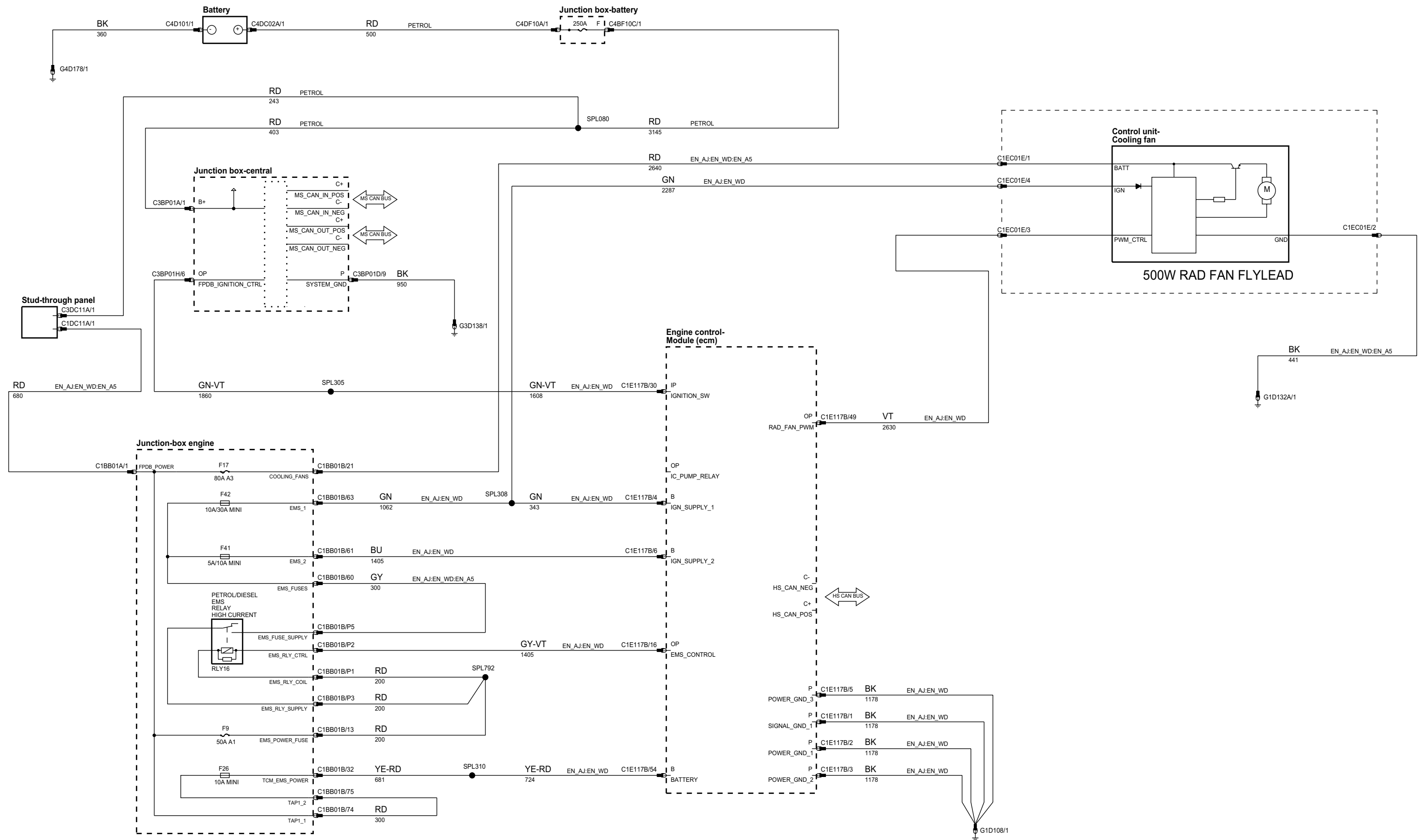
phar83-70360-a-ae



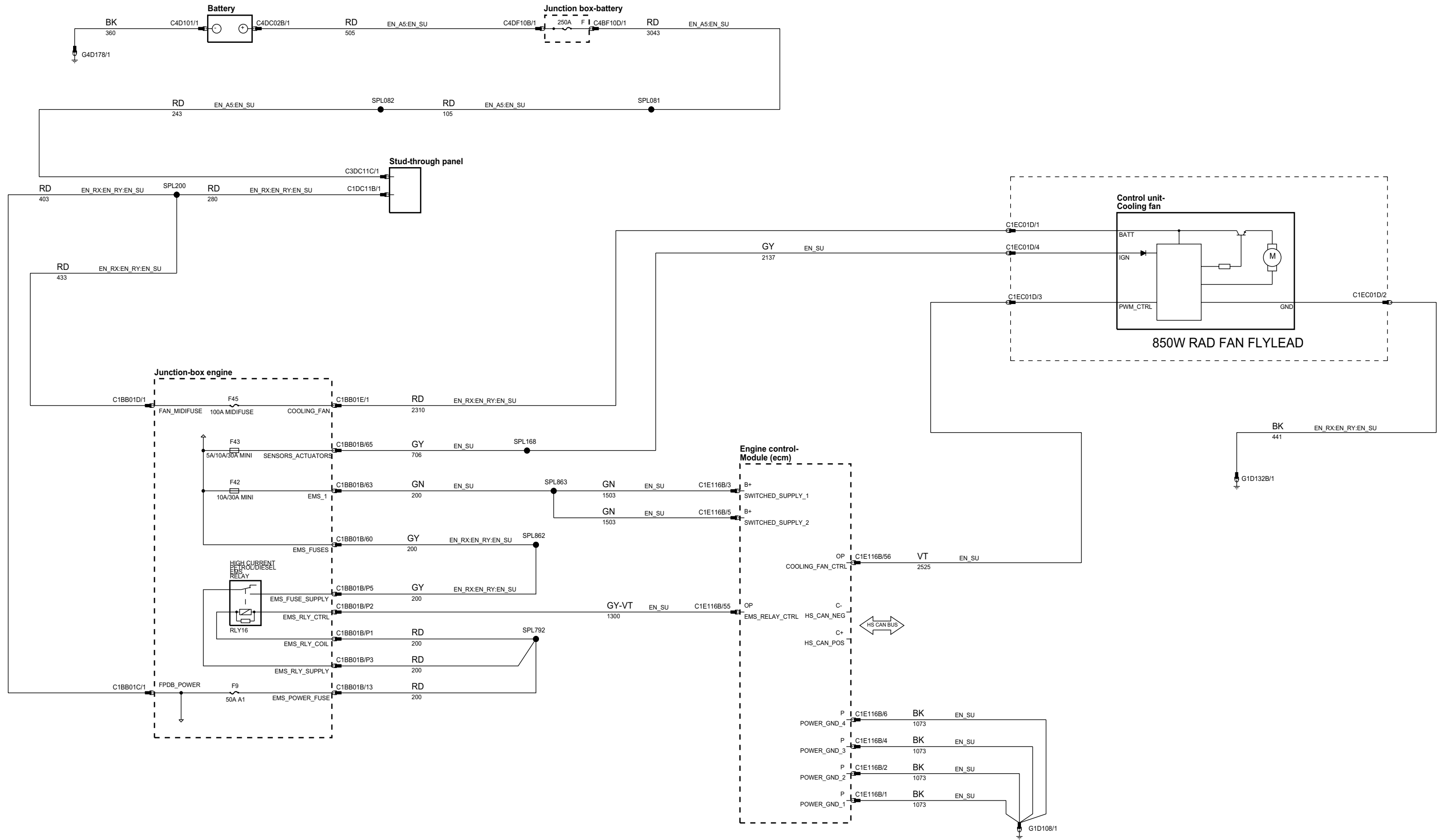
phar83-70033-a-ae



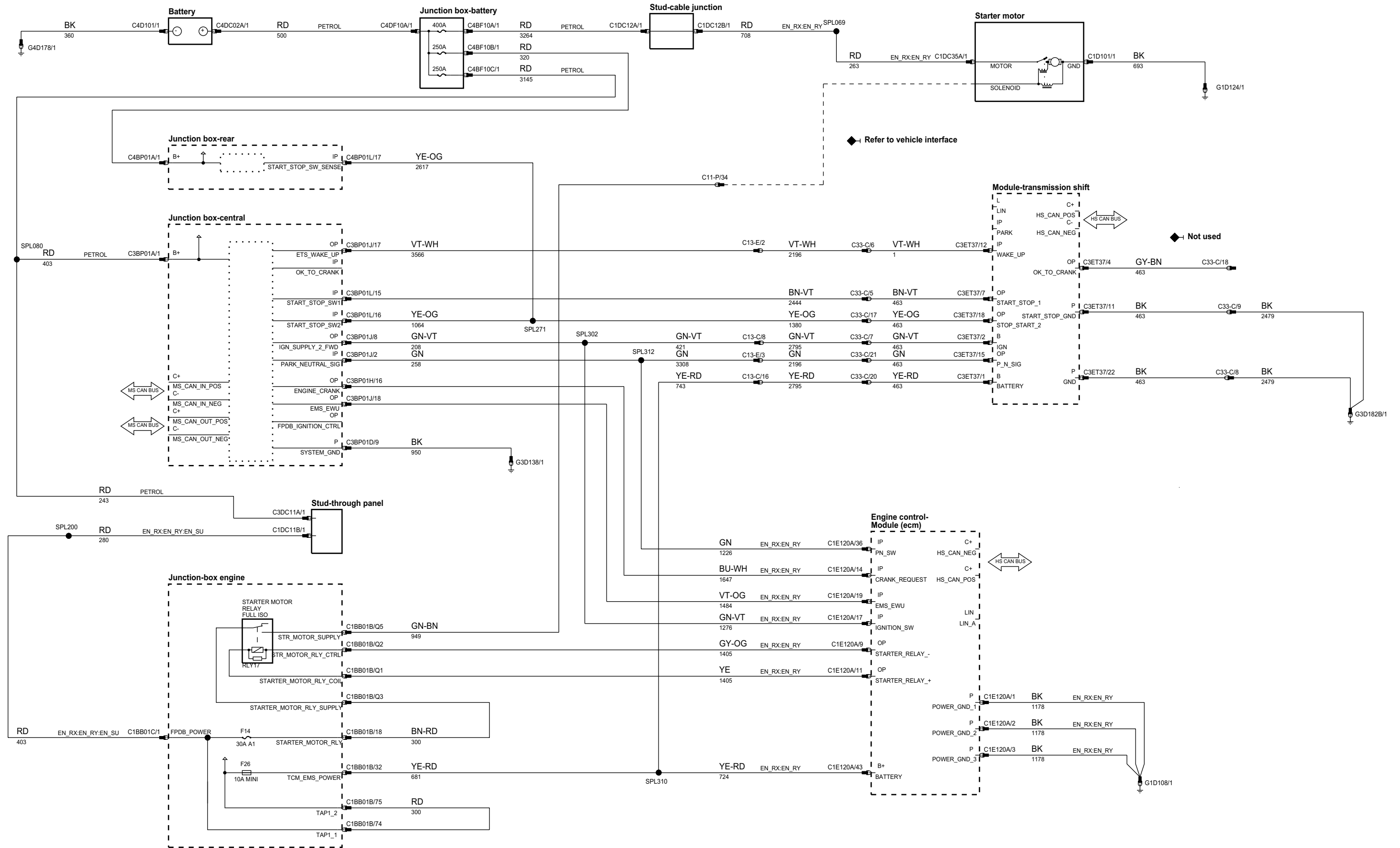
phar83-70033-a-ae



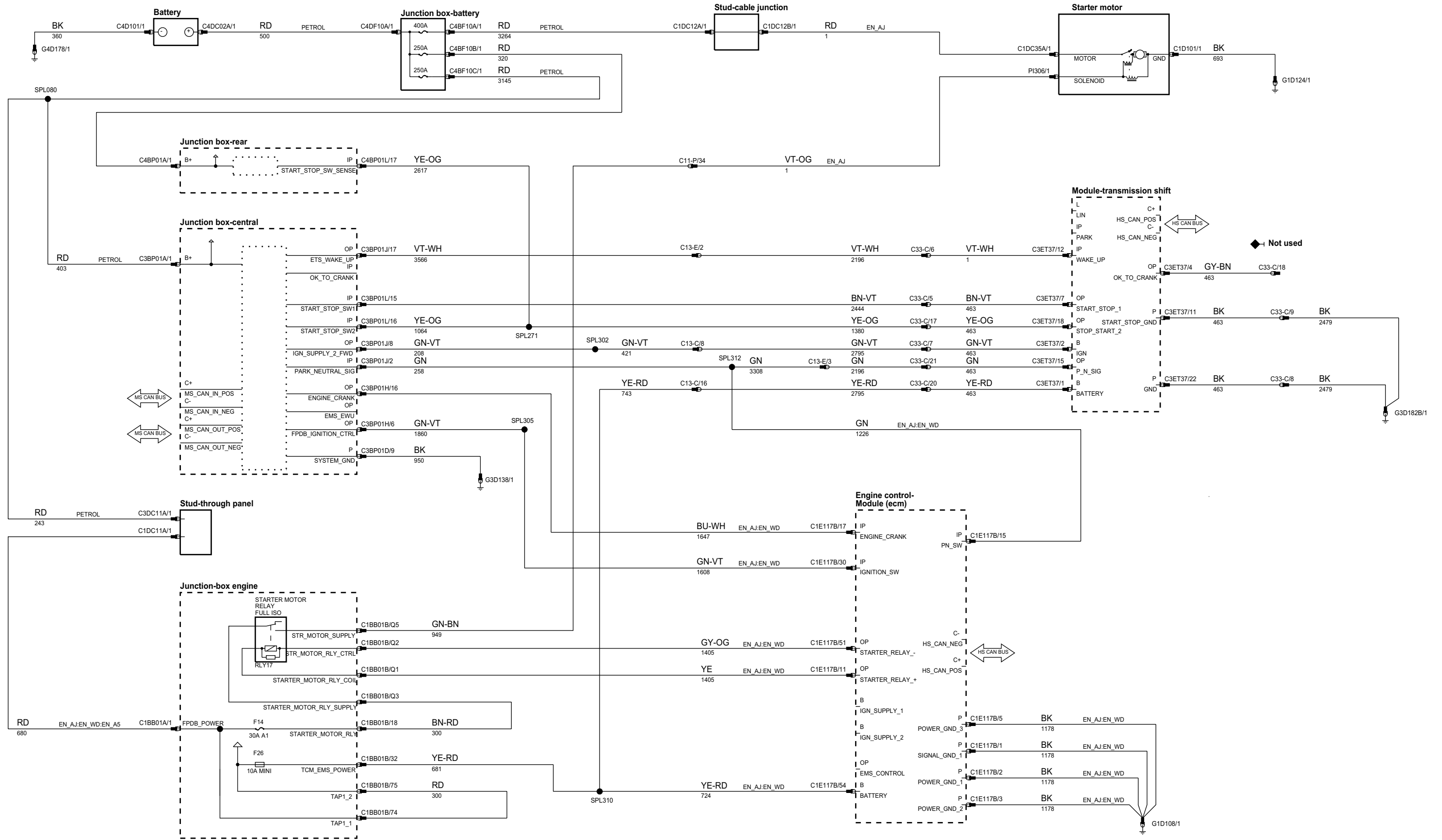
phar83-70033-d2-ae



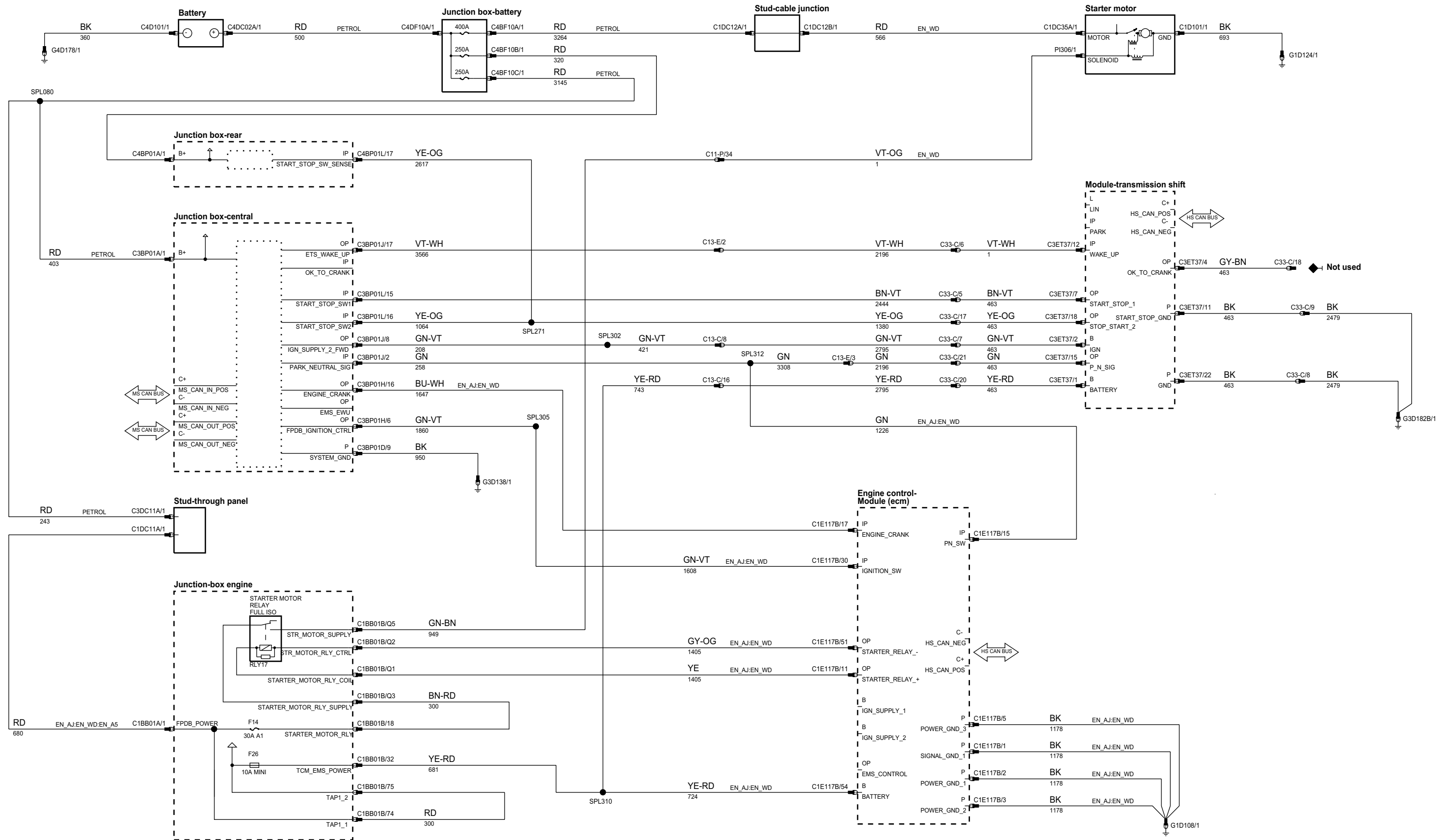
phar83-70021-b-ae



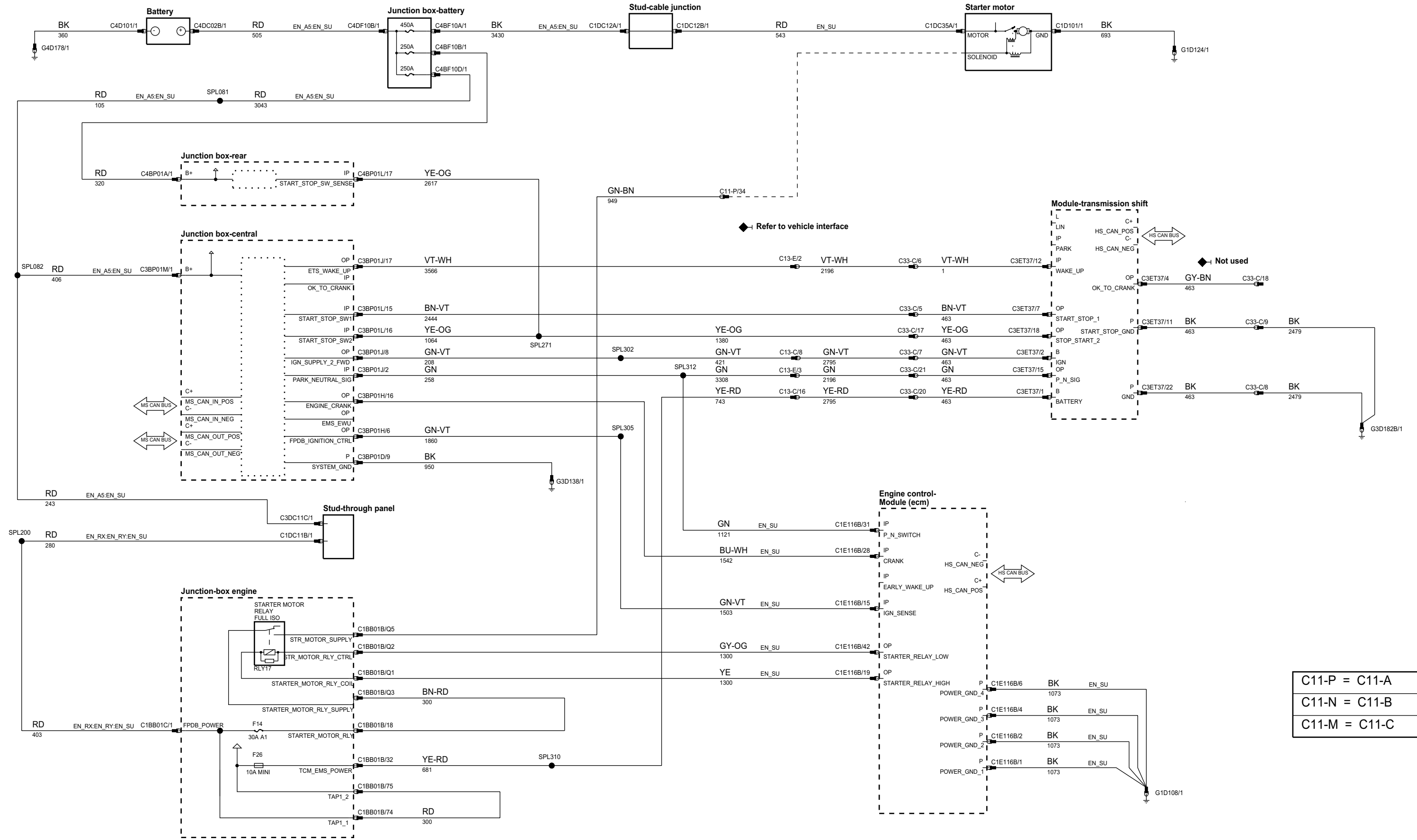
phar83-70021-a-ae



phar83-70021-c-ae



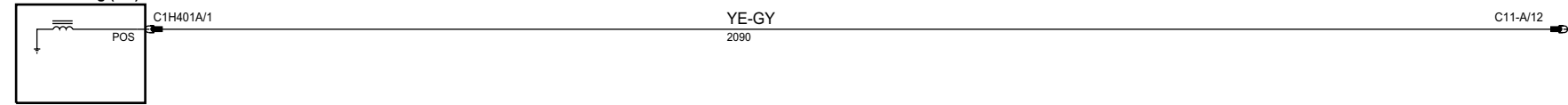
phar83-70021-d2-ae



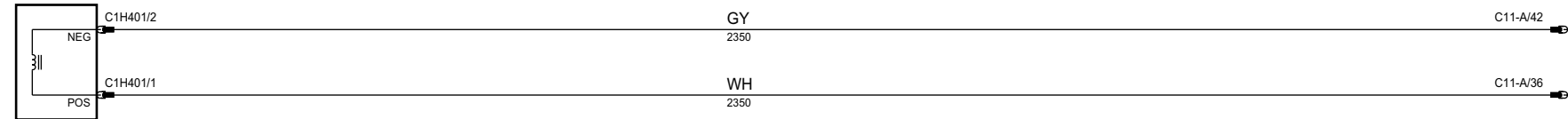
C11-P	=	C11-A
C11-N	=	C11-B
C11-M	=	C11-C

phidv6-70032-a

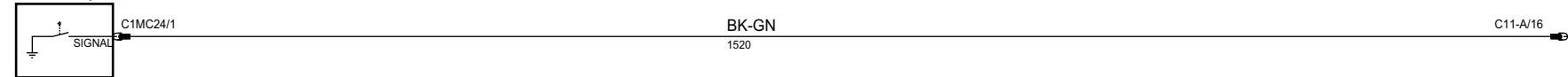
Clutch-compressor-air-Conditioning (a/c)



Refrigerant solenoid Valve



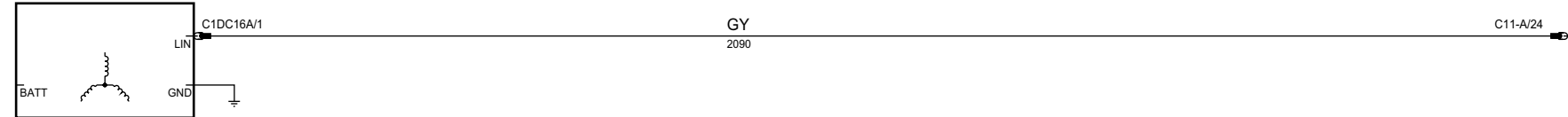
Switch-oil pressure



Starter motor



Generator



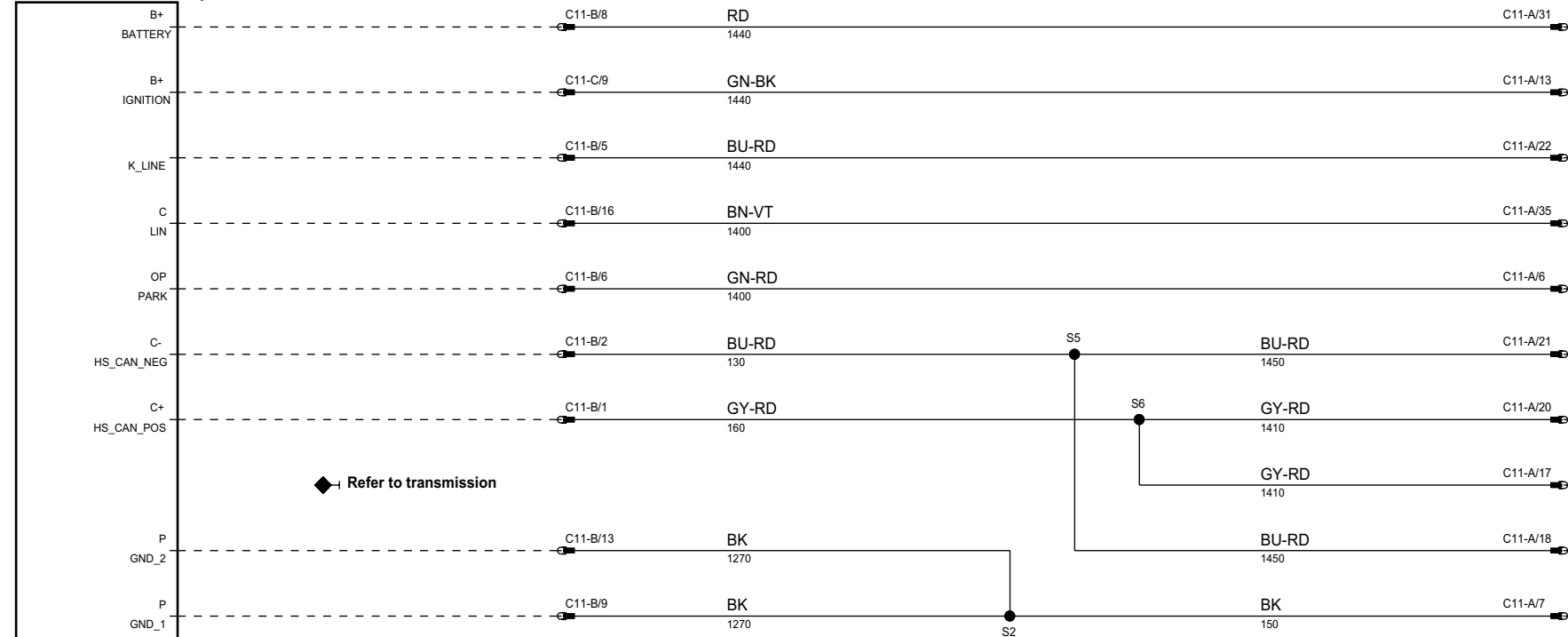
← Refer to climate control

← Refer to instrument cluster

← Refer to dv6 - starting

← Refer to dv6 - charging

TCM and control valve body

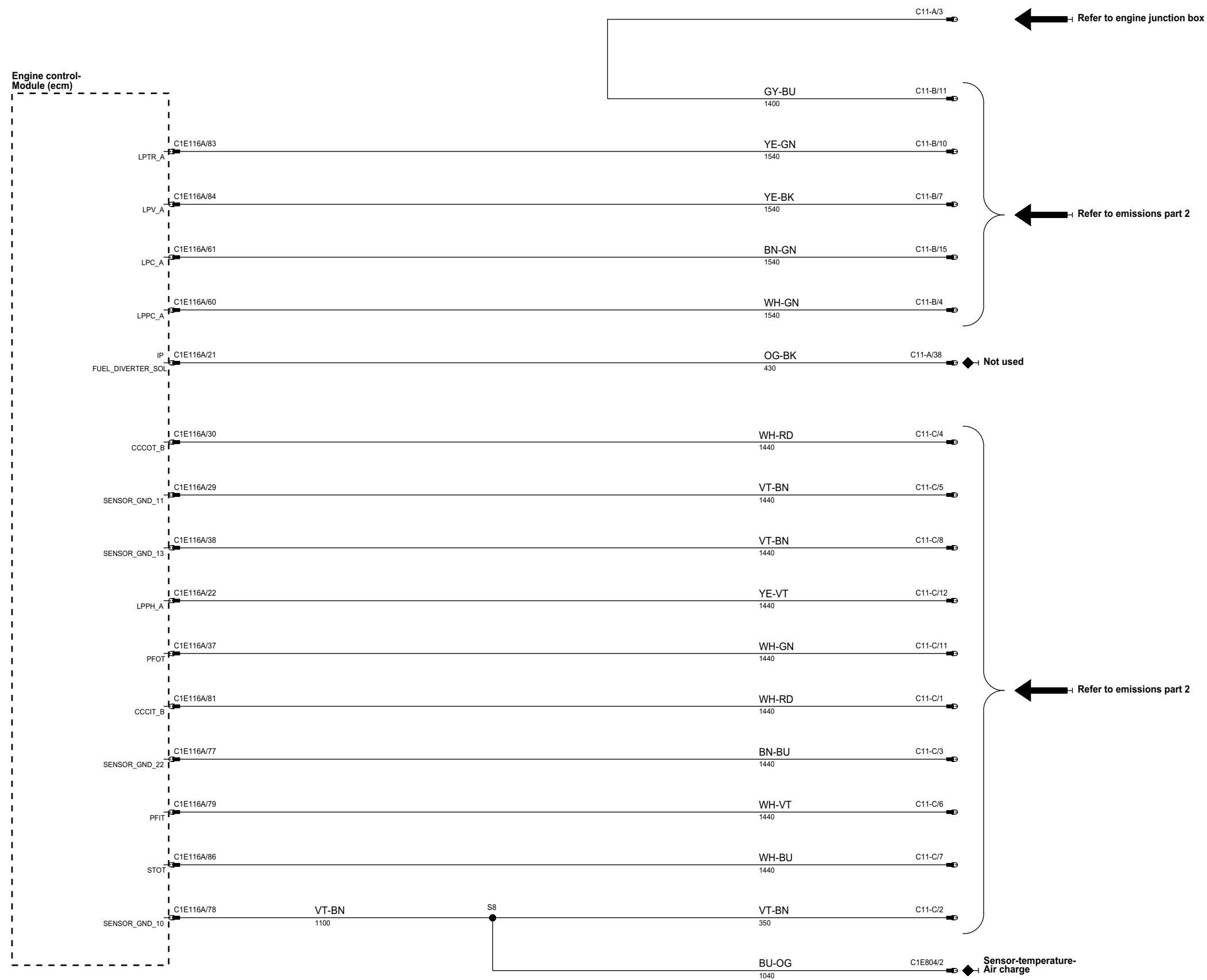


◆ Refer to transmission

← Refer to transmission

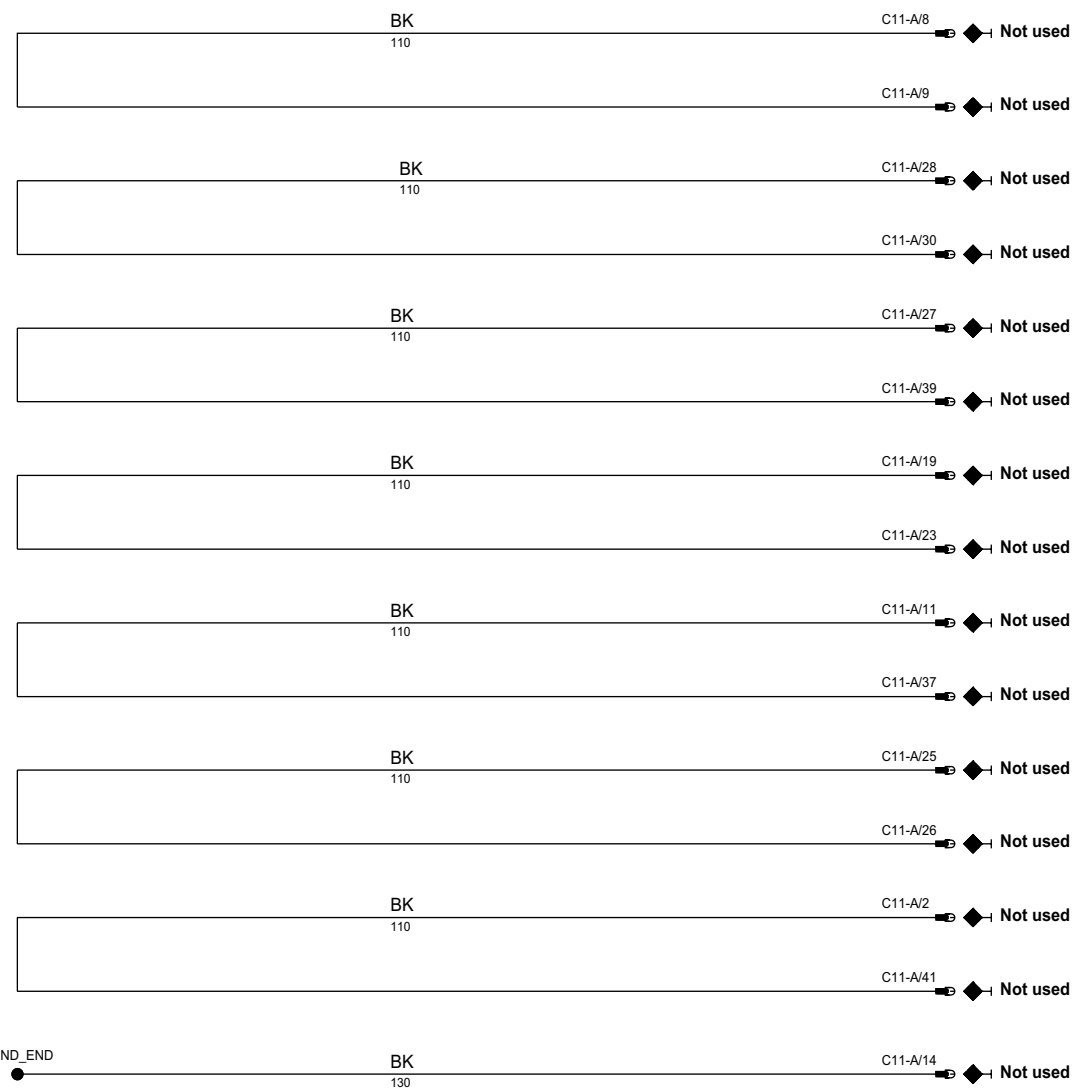
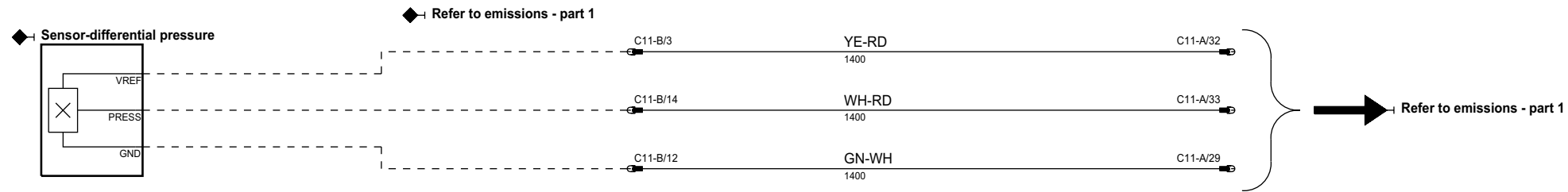
C11-A	=	C11-P
C11-B	=	C11-N
C11-C	=	C11-M

phdv6-70032-b



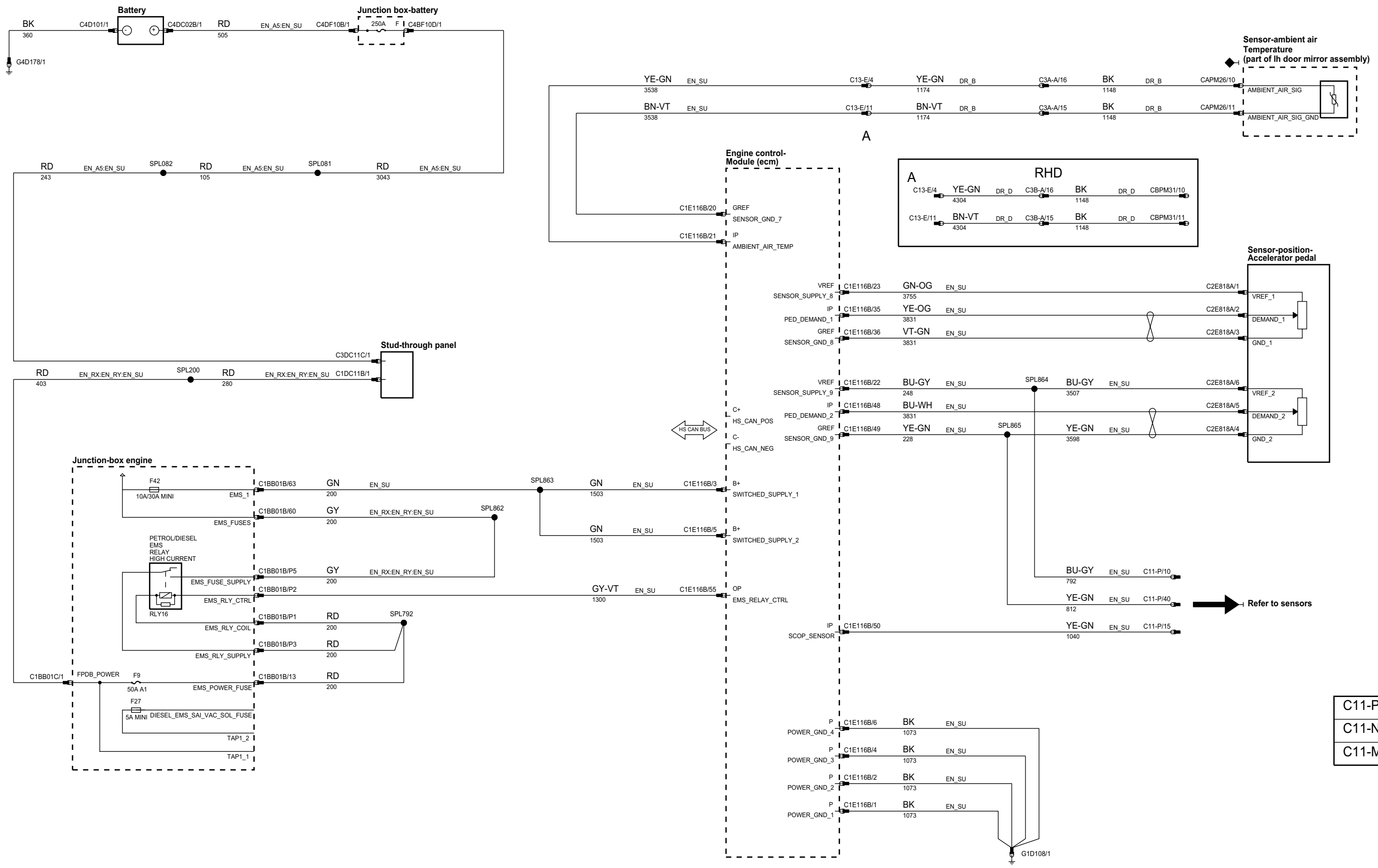
C11-A = C11-P
C11-B = C11-N
C11-C = C11-M

phdv6-70032-c

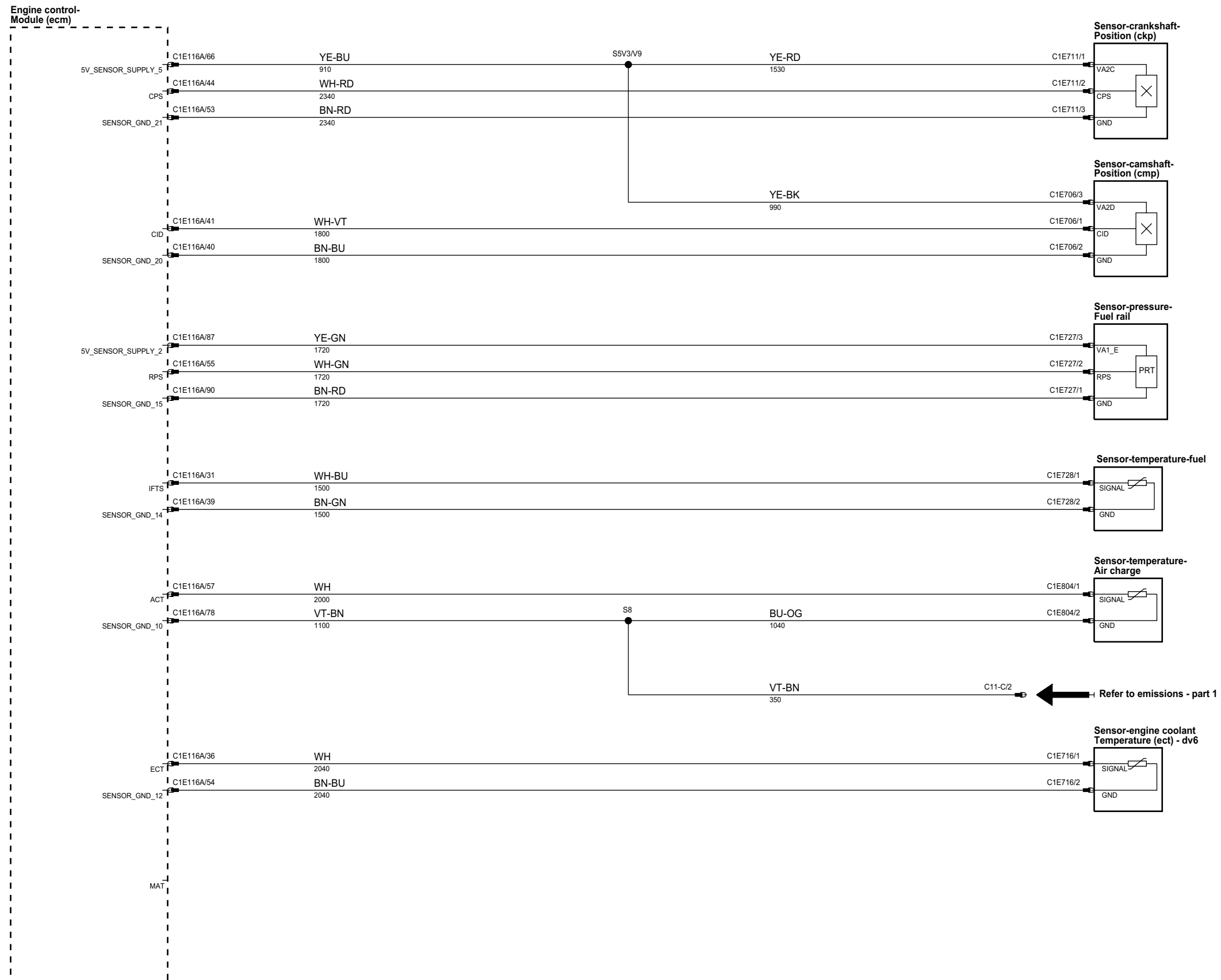


C11-A	=	C11-P
C11-B	=	C11-N
C11-C	=	C11-M

phar83-70034-d2-ae

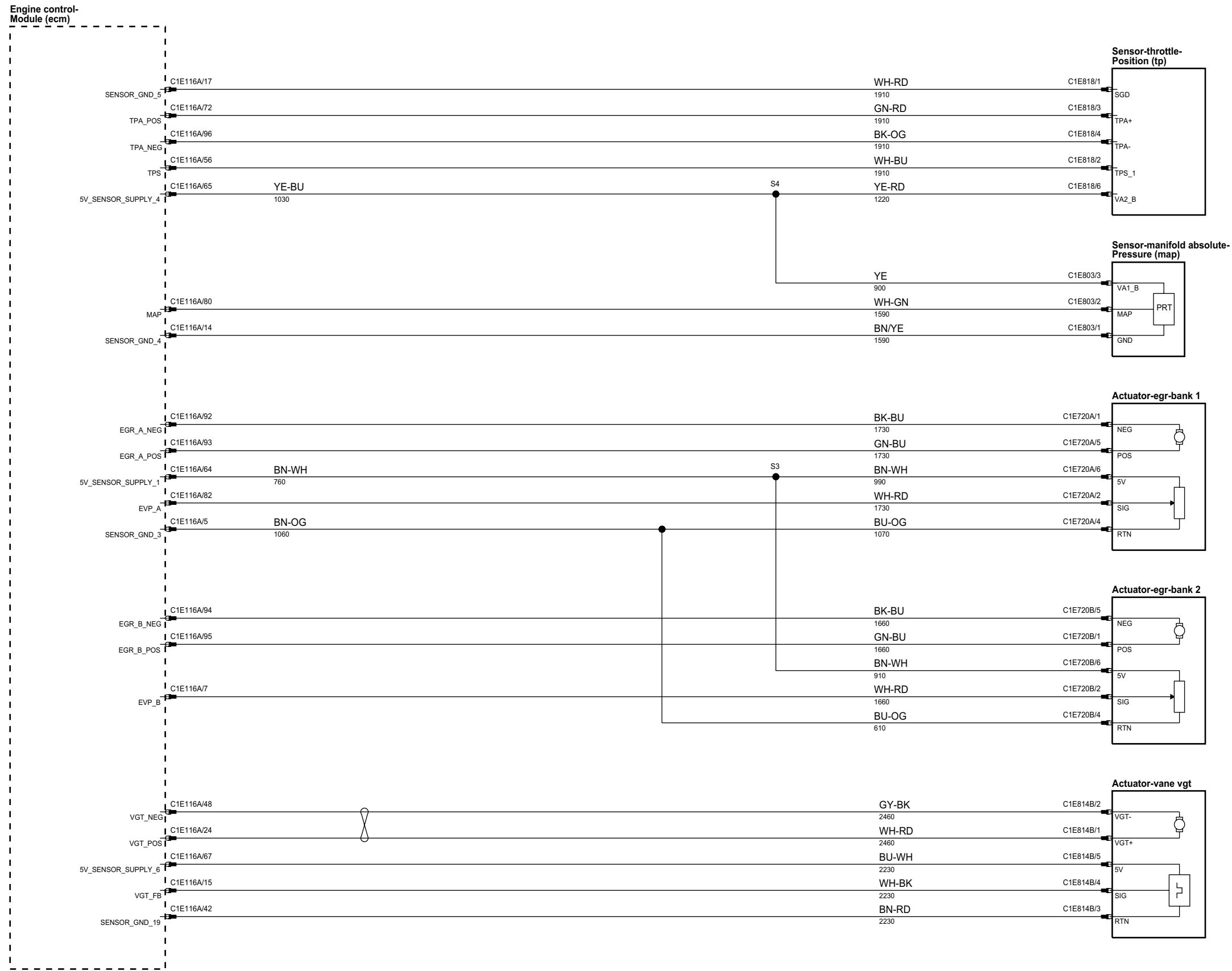


phtdv6-70034-a



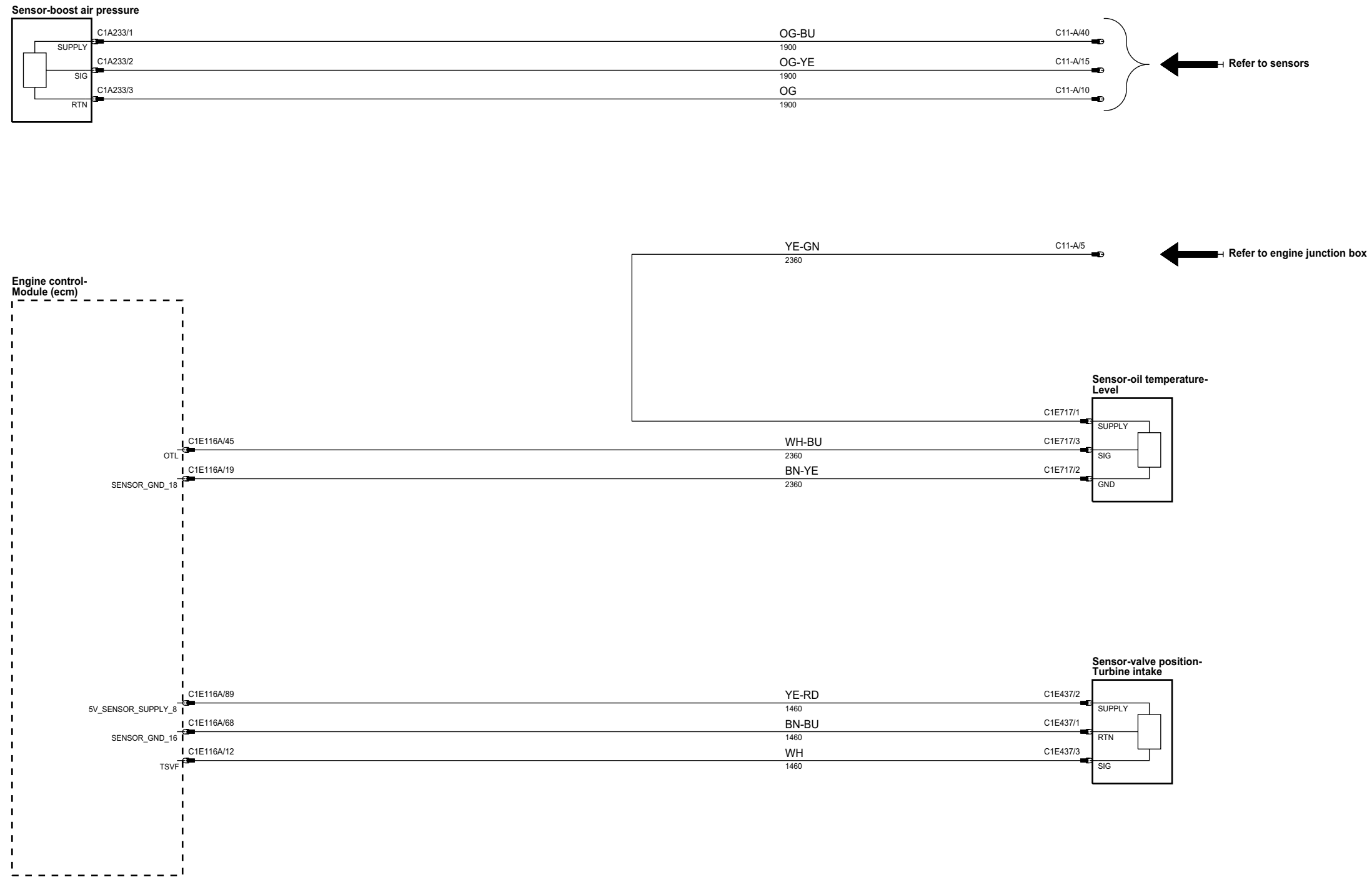
C11-A	=	C11-P
C11-B	=	C11-N
C11-C	=	C11-M

phdv6-70034-b

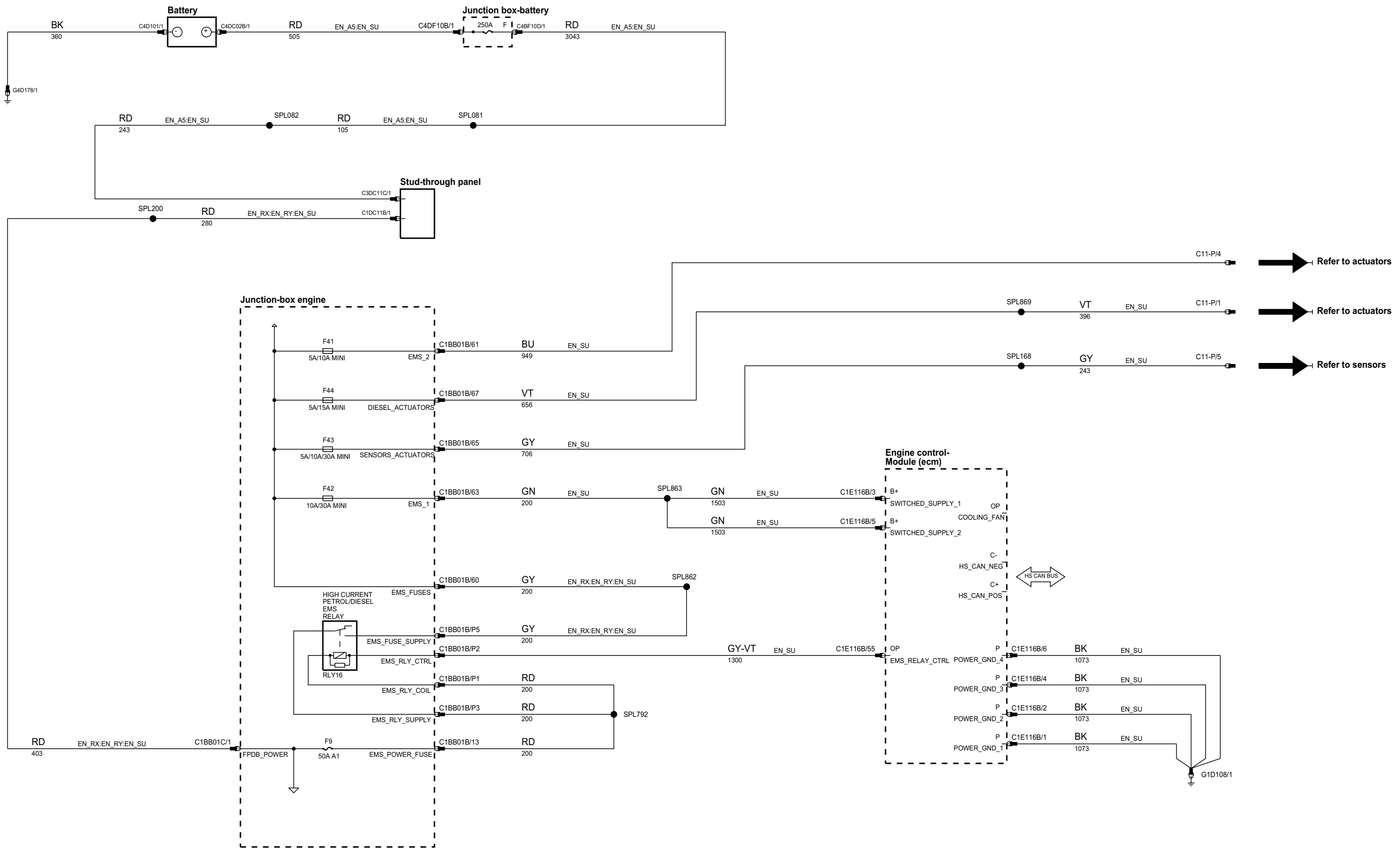


C11-A	=	C11-P
C11-B	=	C11-N
C11-C	=	C11-M

phtdv6-70034-c

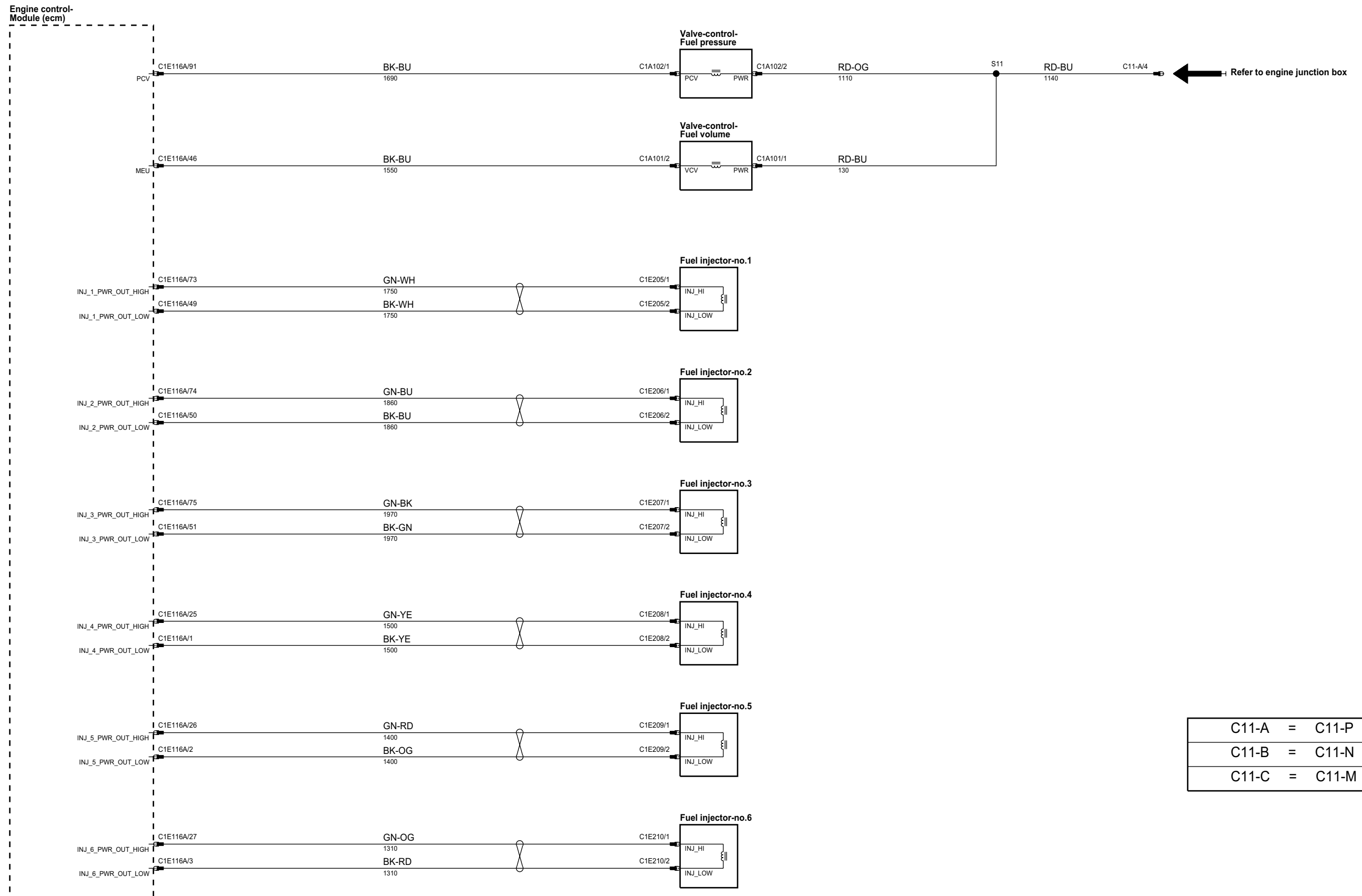


phar83-70038-d2-ae



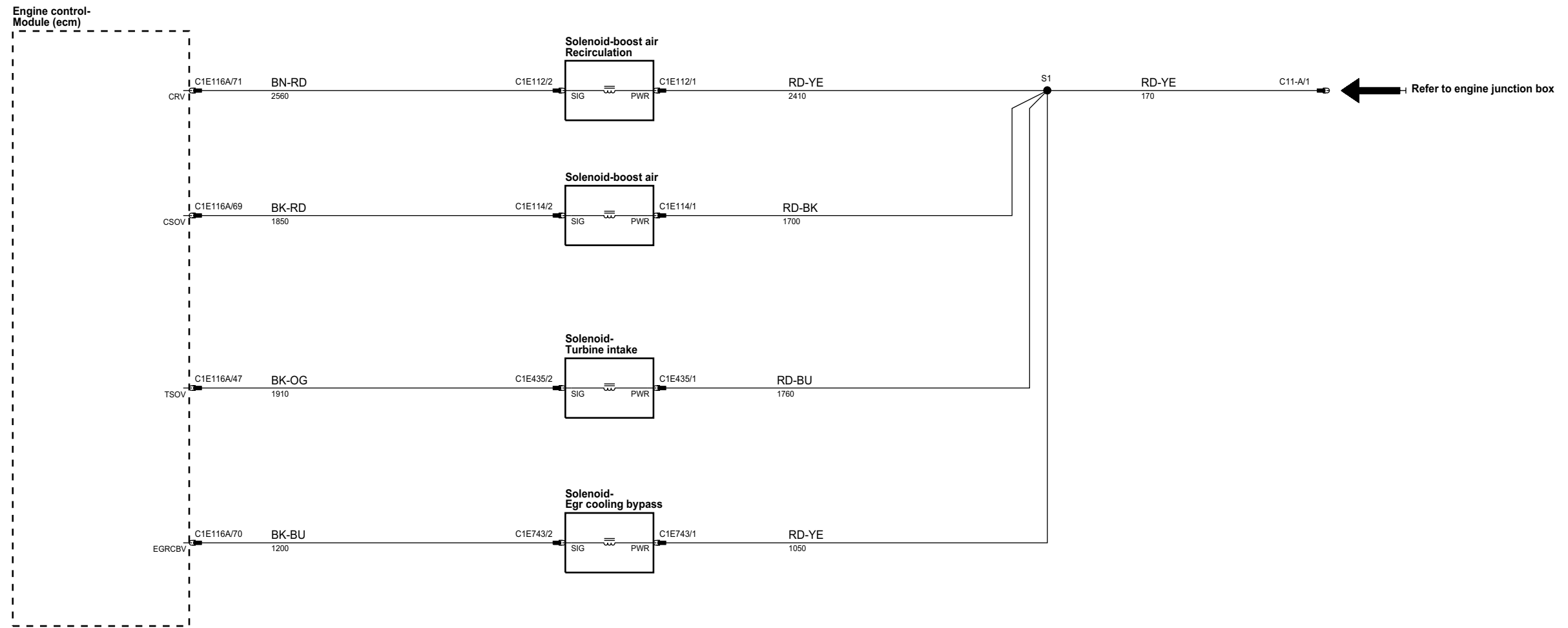
C11-P = C11-A
C11-N = C11-B
C11-M = C11-C

phtdv6-70038-a



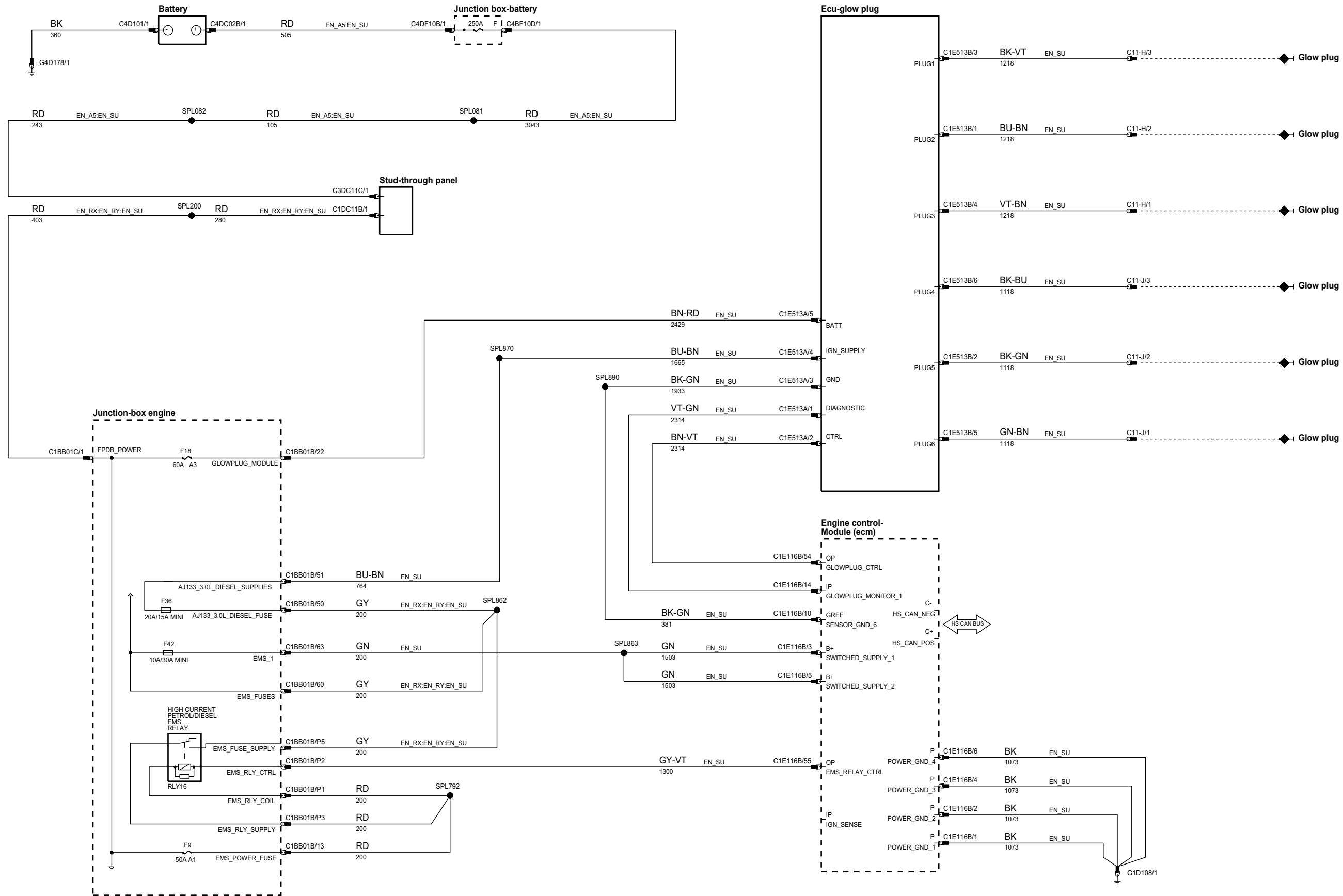
C11-A	=	C11-P
C11-B	=	C11-N
C11-C	=	C11-M

phdv6-70038-b

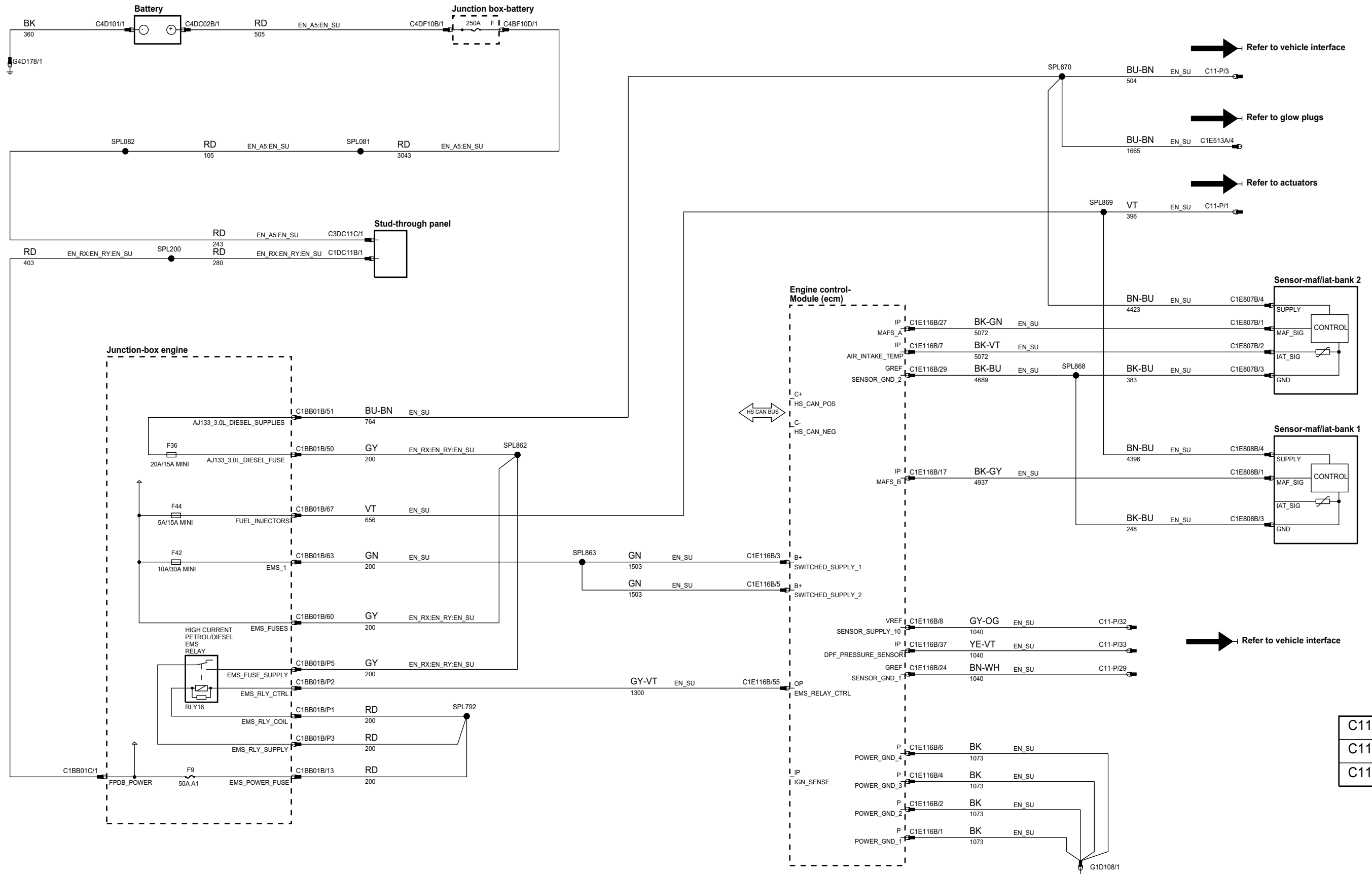


C11-A	=	C11-P
C11-B	=	C11-N
C11-C	=	C11-M

phar83-70037-d2-ae



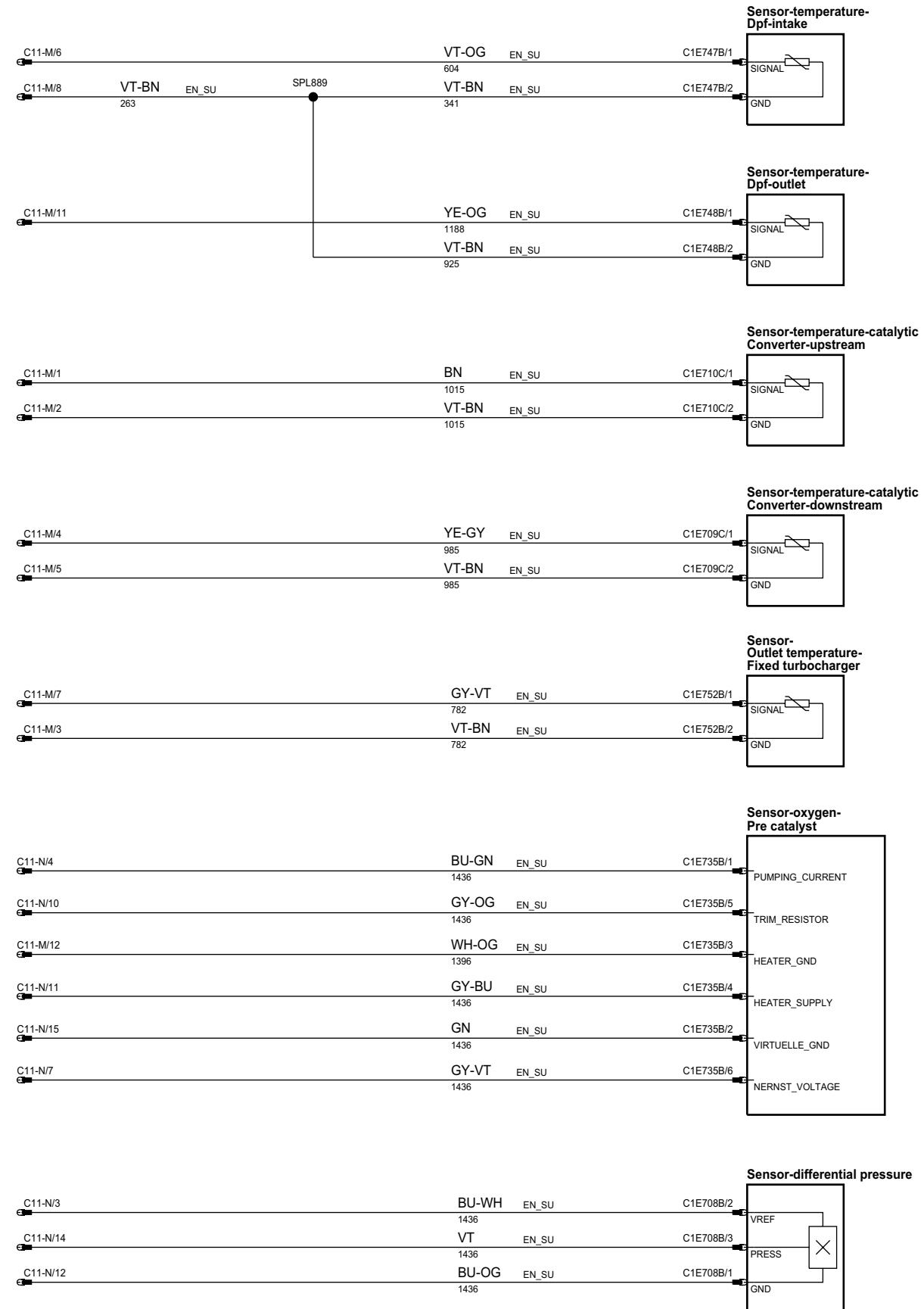
phar83-70035-d2-ae



C11-P = C11-A
C11-N = C11-B
C11-M = C11-C

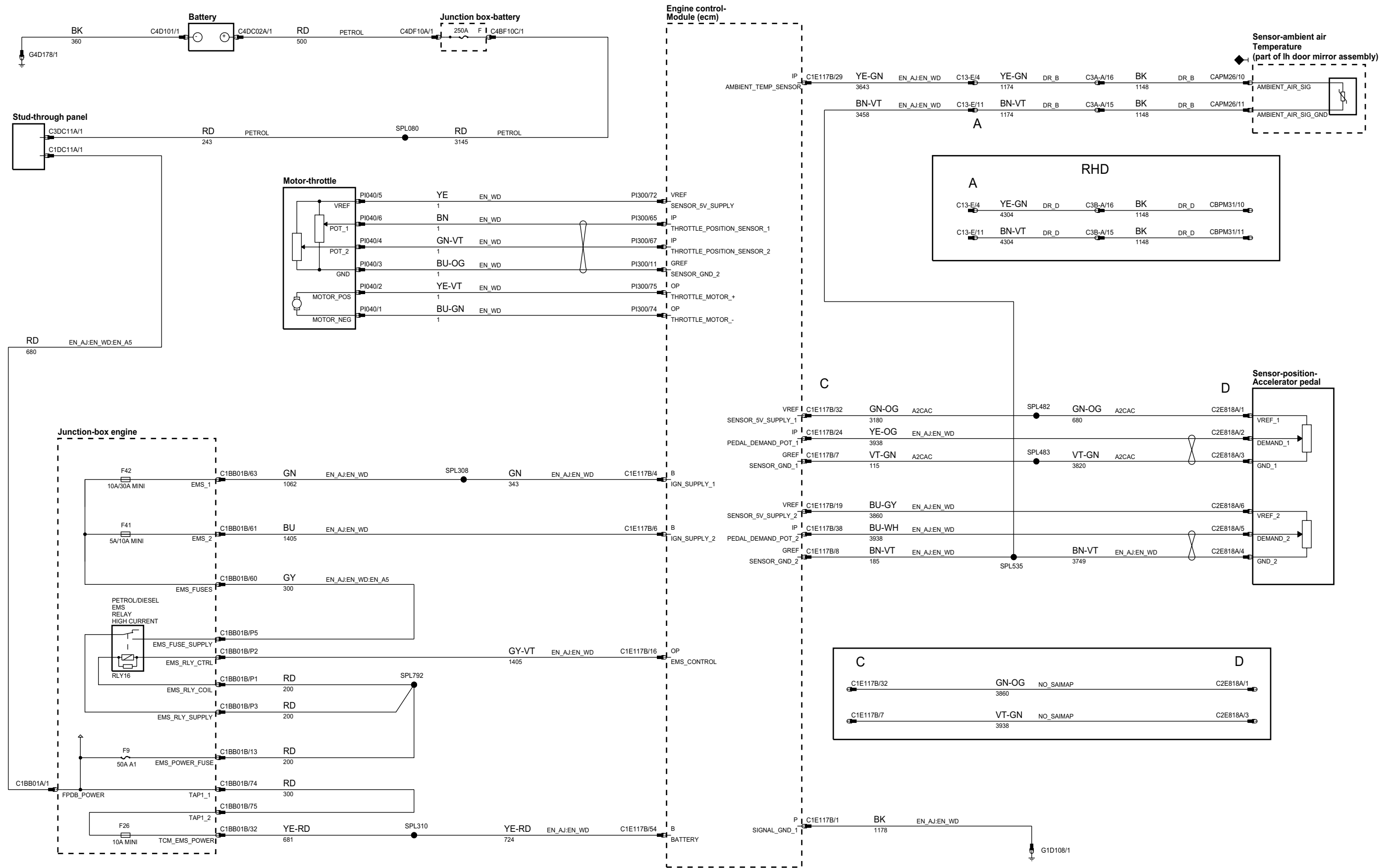
phar83-70035-d3-ae

← Refer to vehicle interface

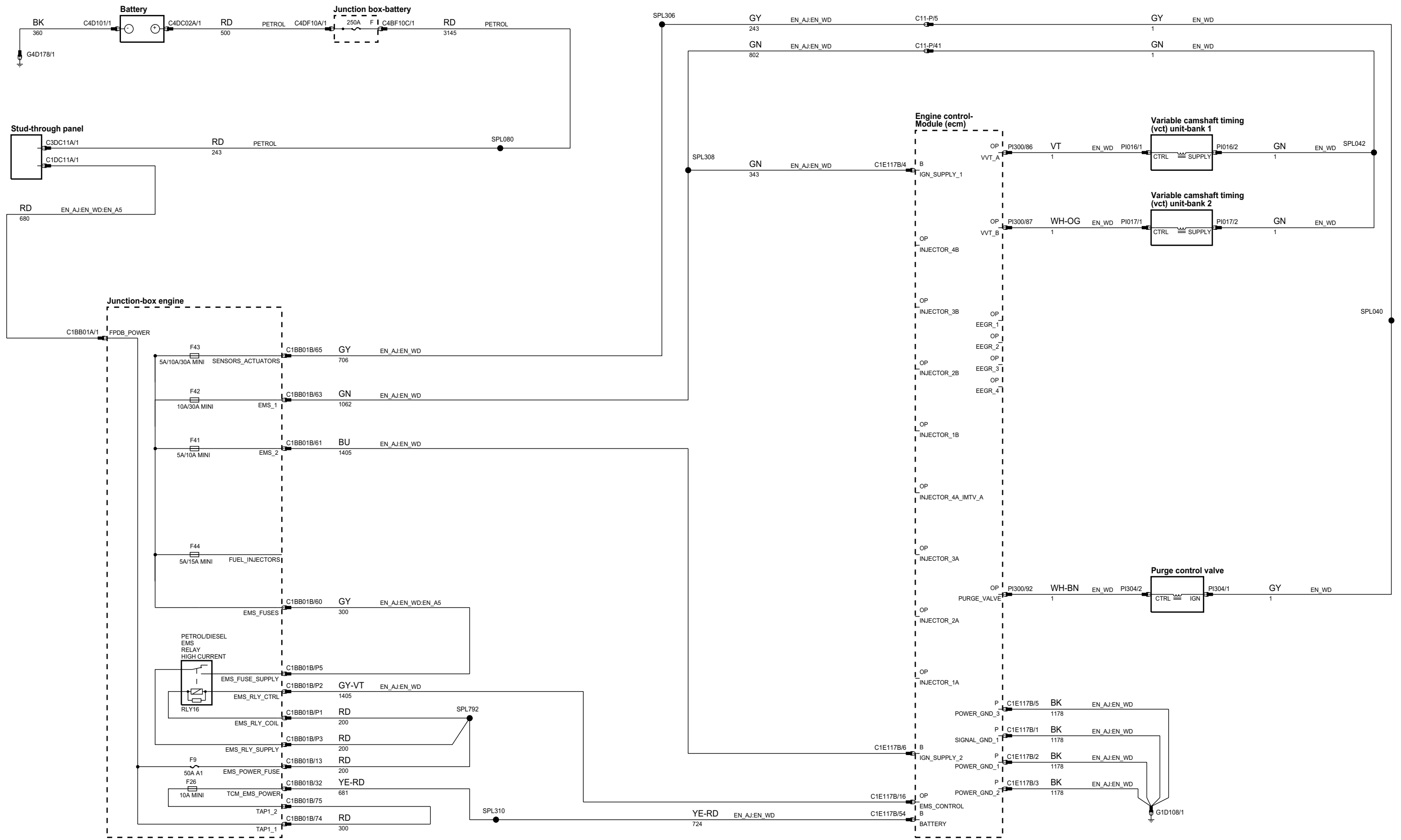


C11-P = C11-A
C11-N = C11-B
C11-M = C11-C

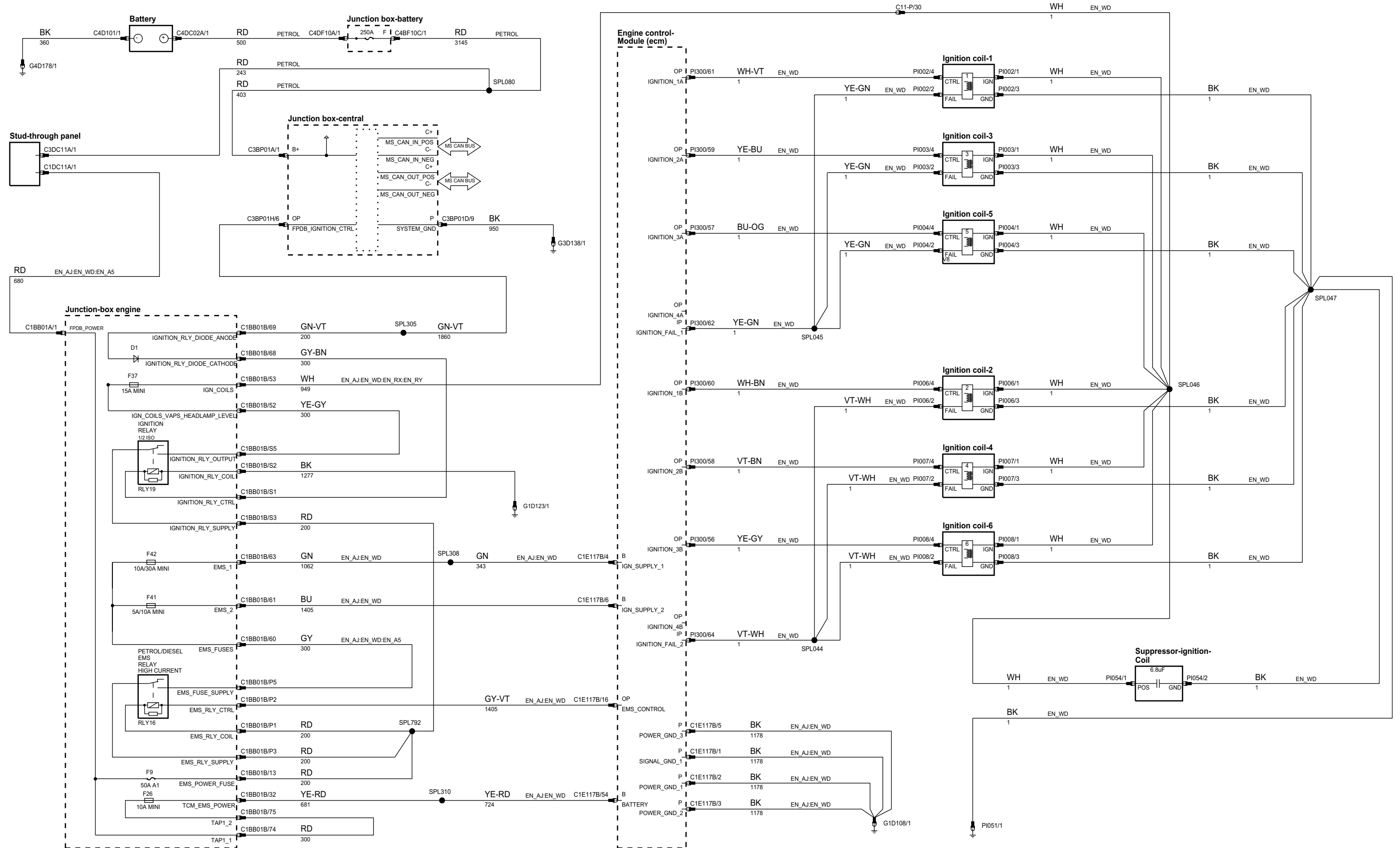
phar83-70035-g-ae



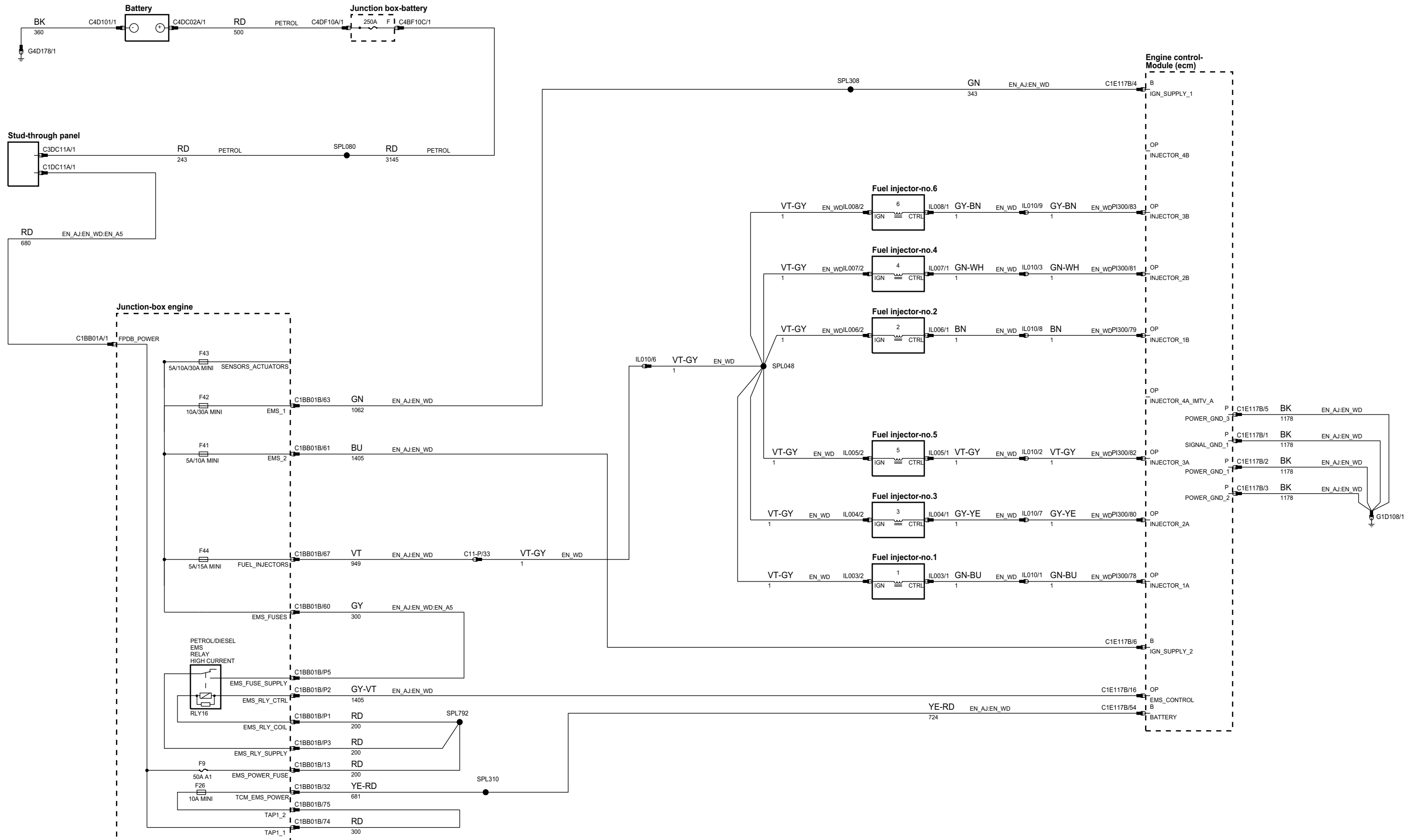
phar83-70038-c-ae



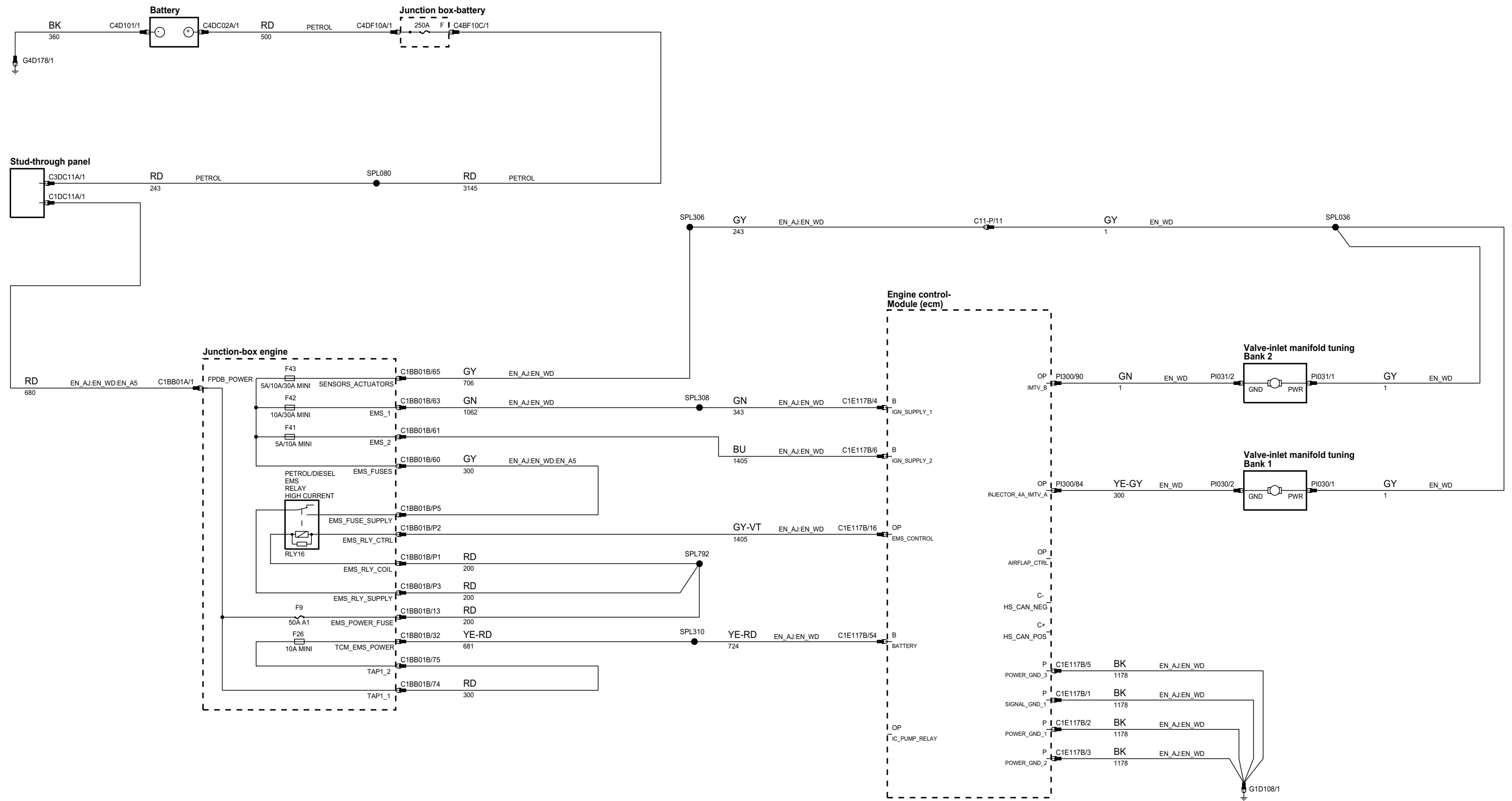
phar83-70038-h-ae



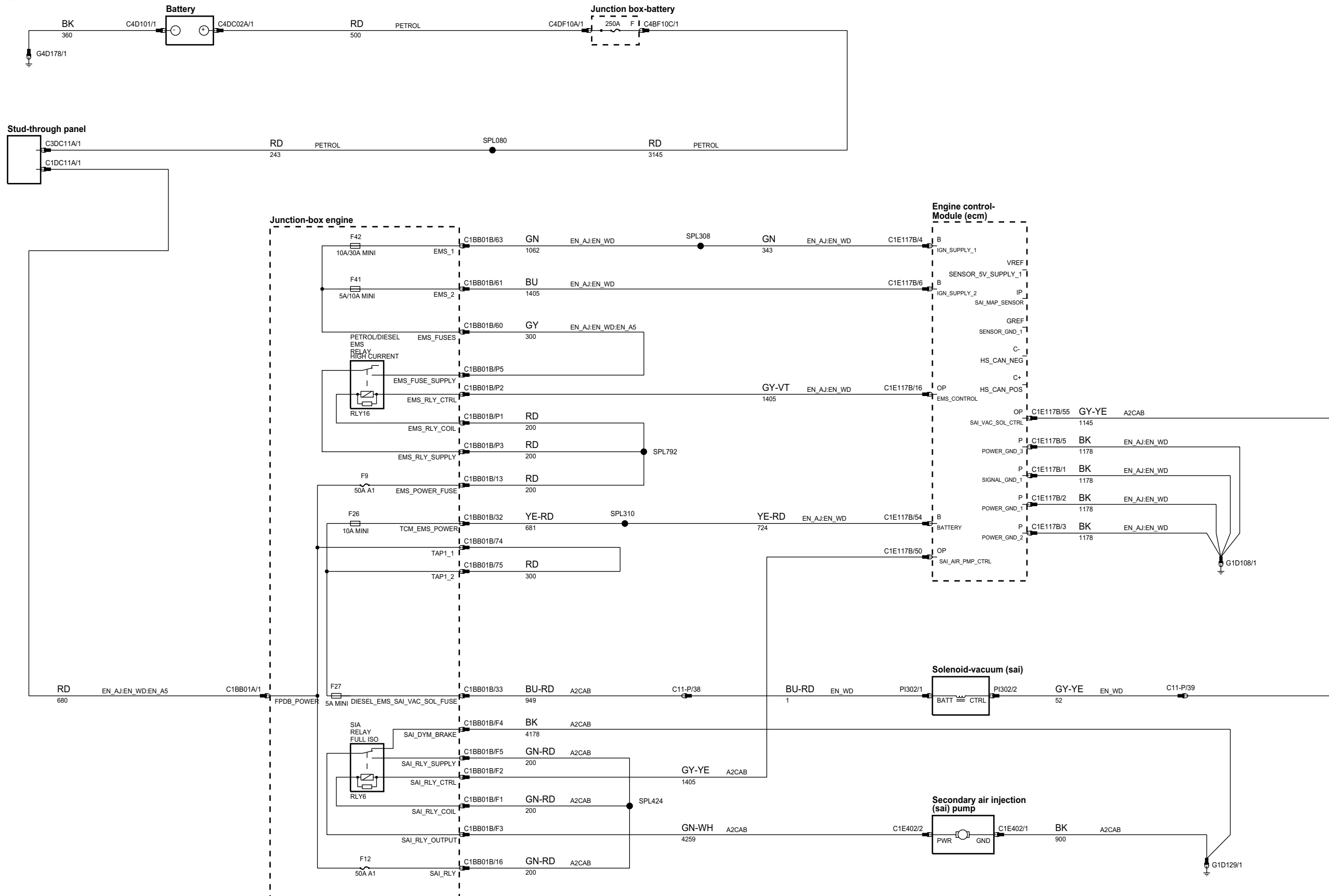
phar83-70038+ae



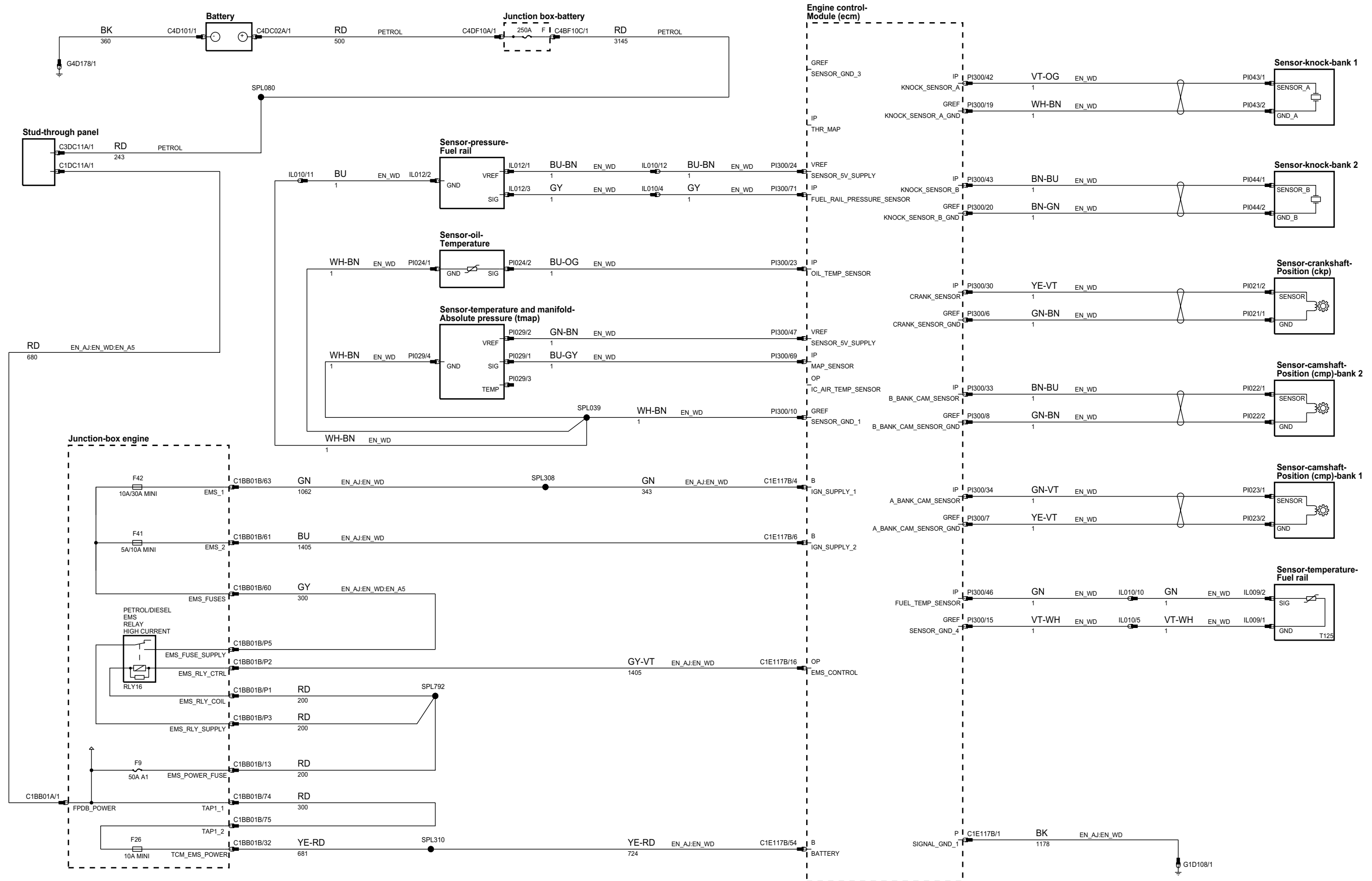
phar83-700031-c-ae



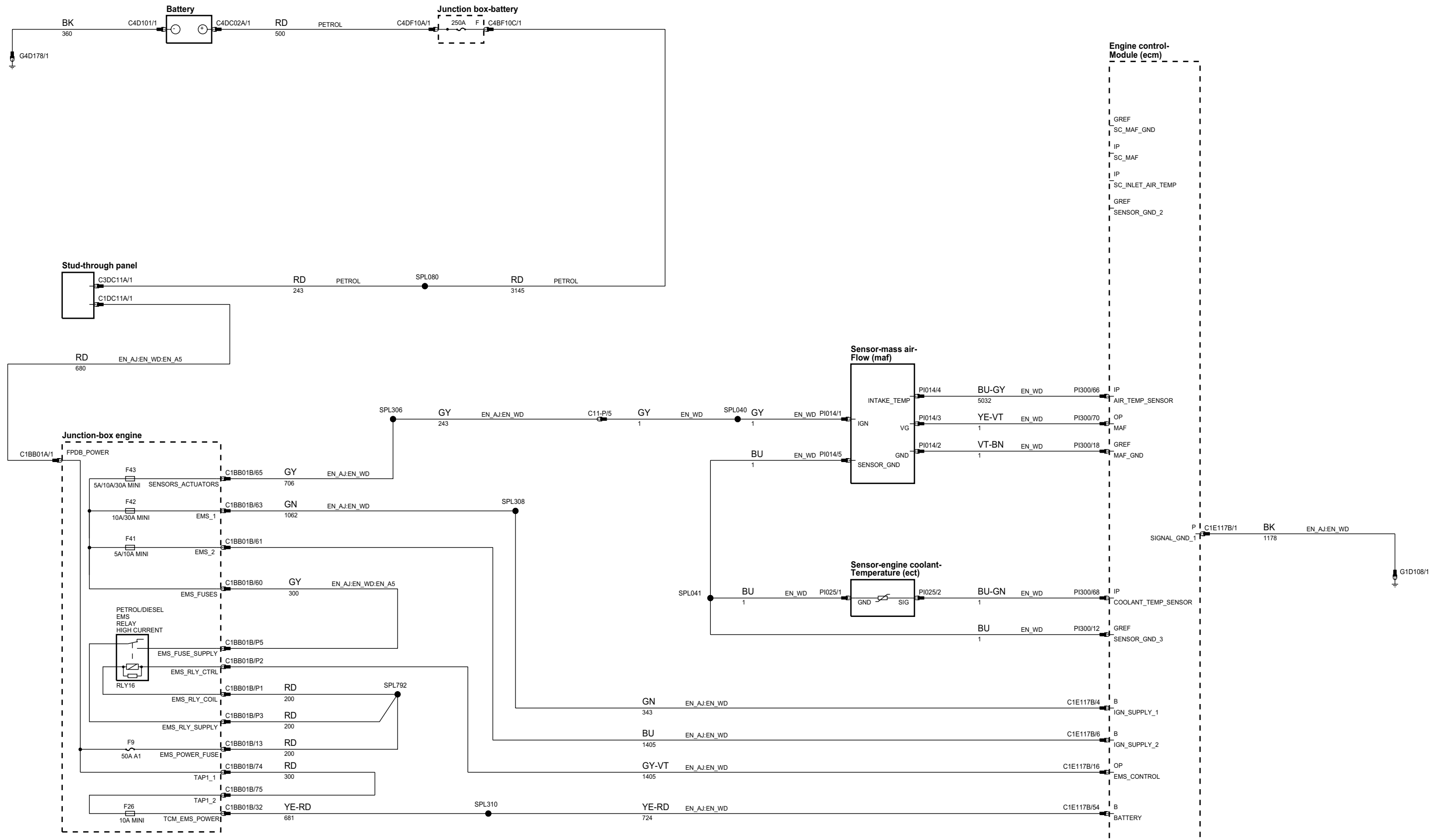
phar83-70030-c-ae



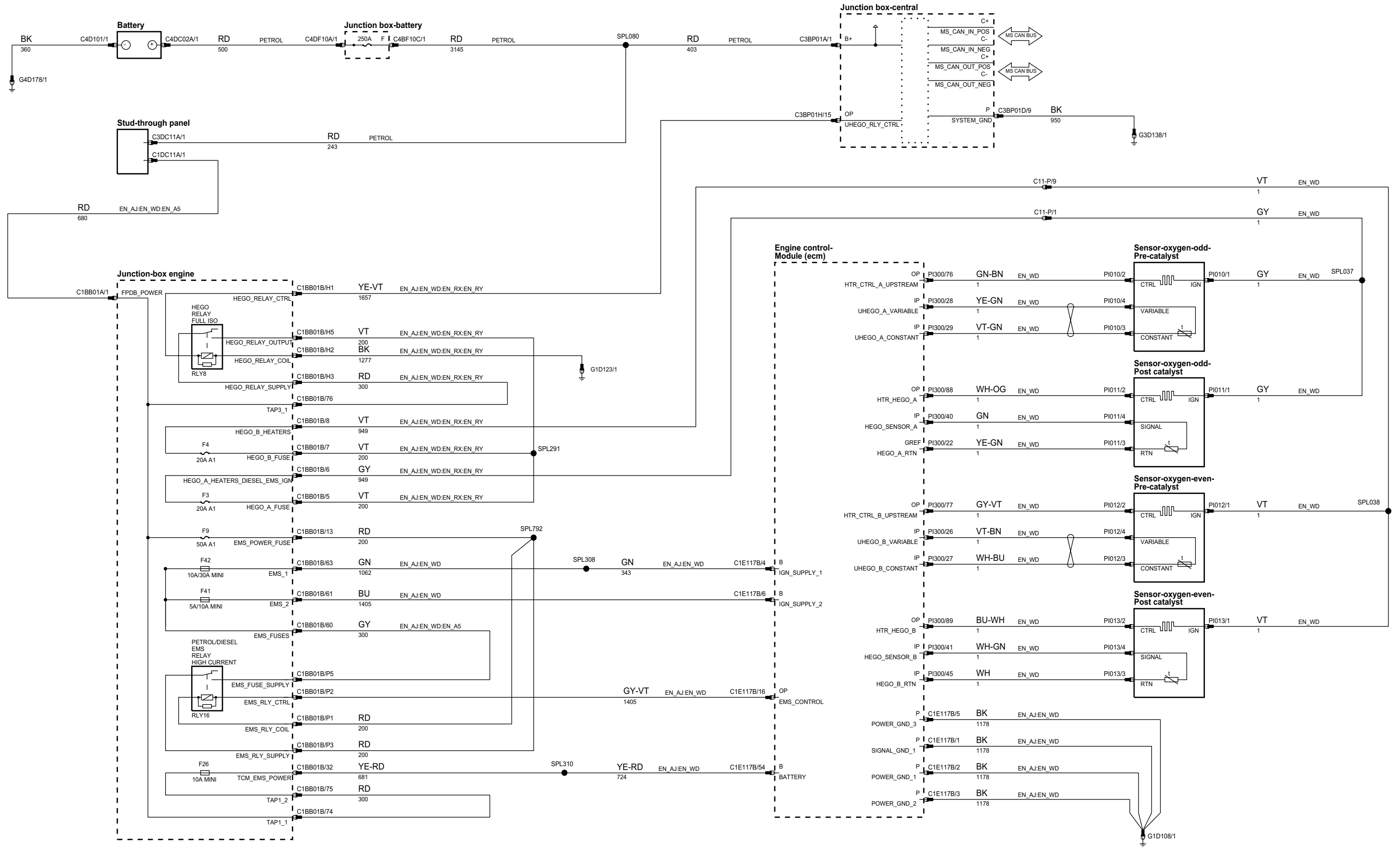
phar83-70034-c-ae



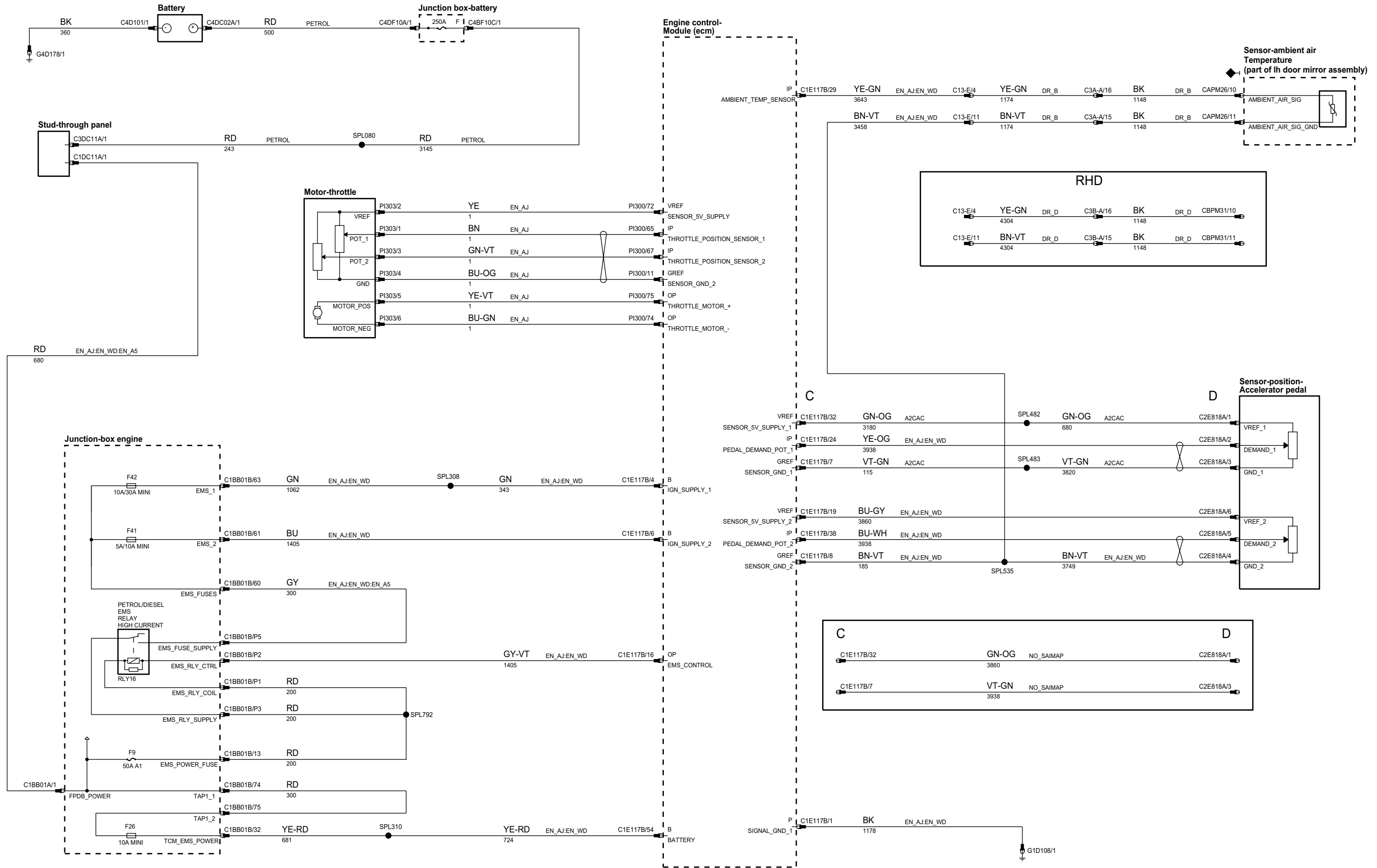
phar83-70034-g-ae



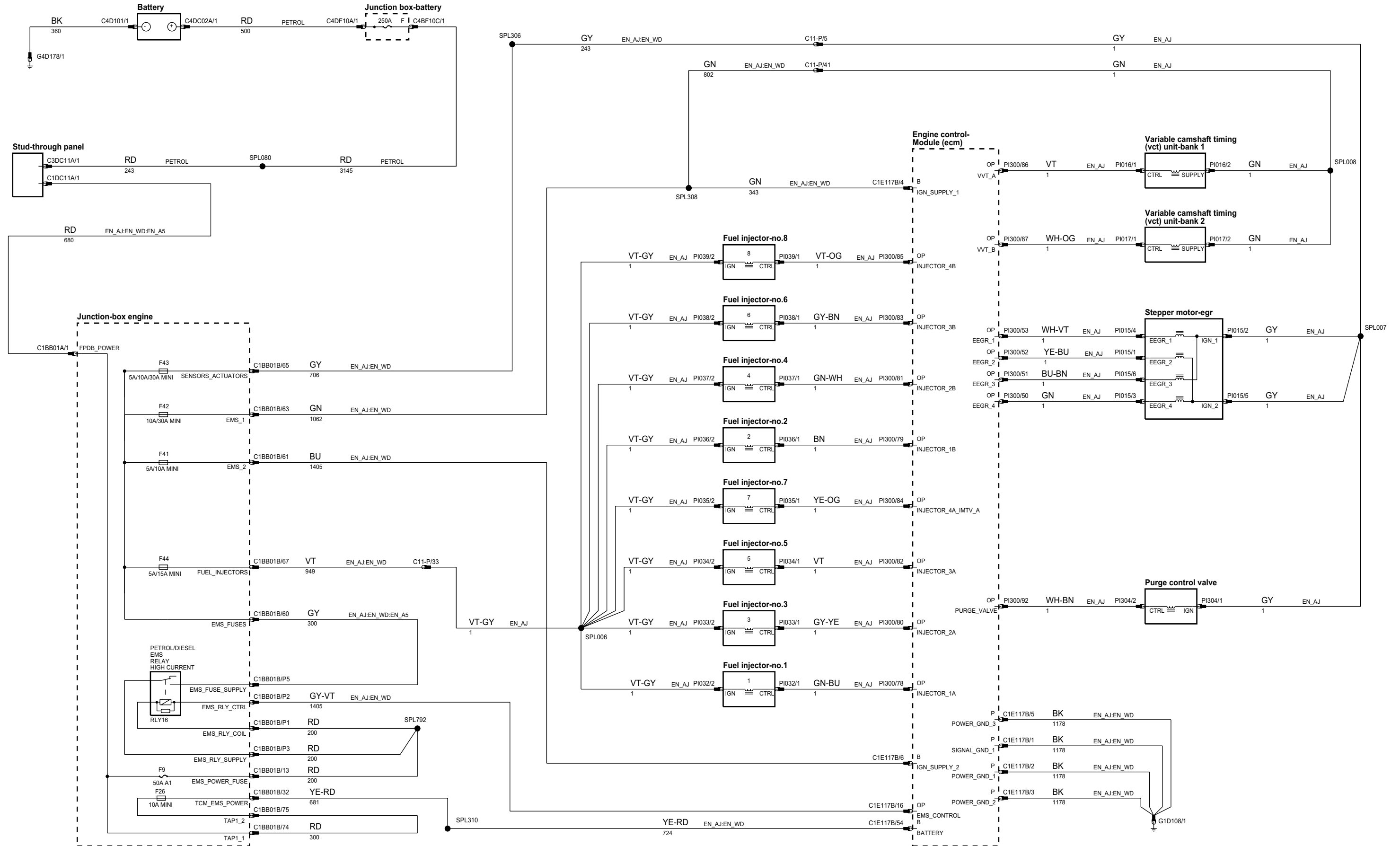
phar83-70035-c-ae



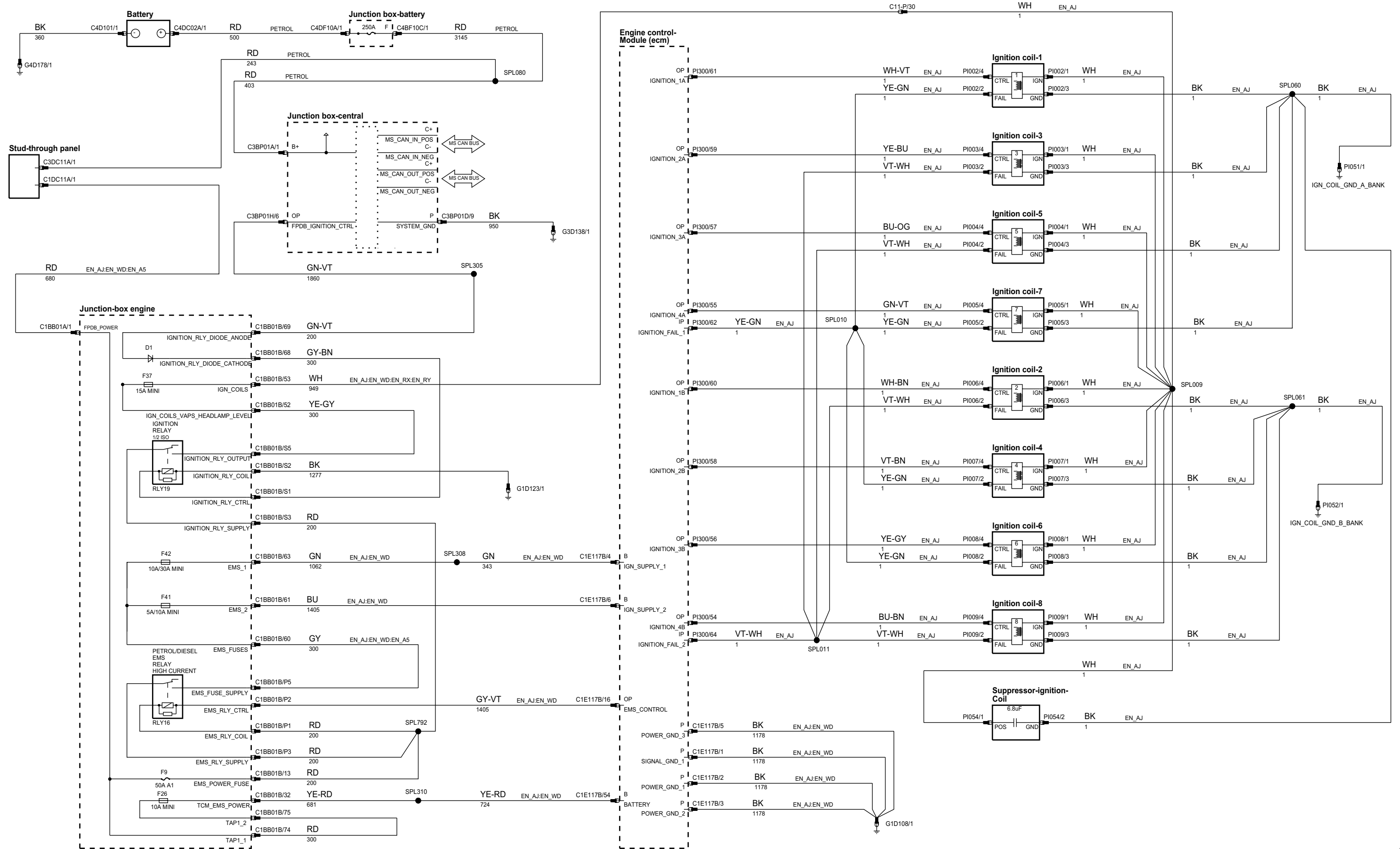
phar83-70035-e-ae



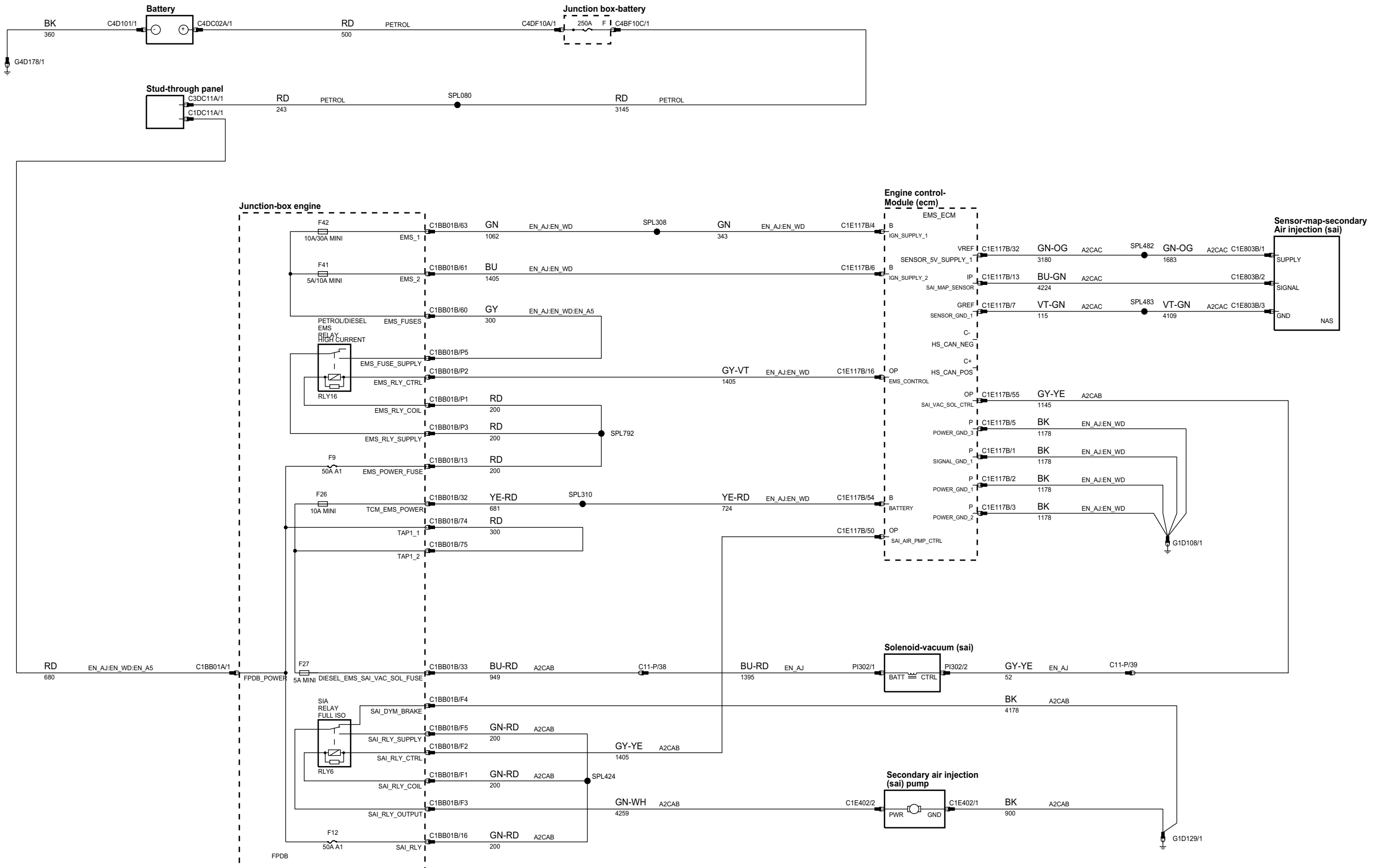
phar83-70038-a-ae



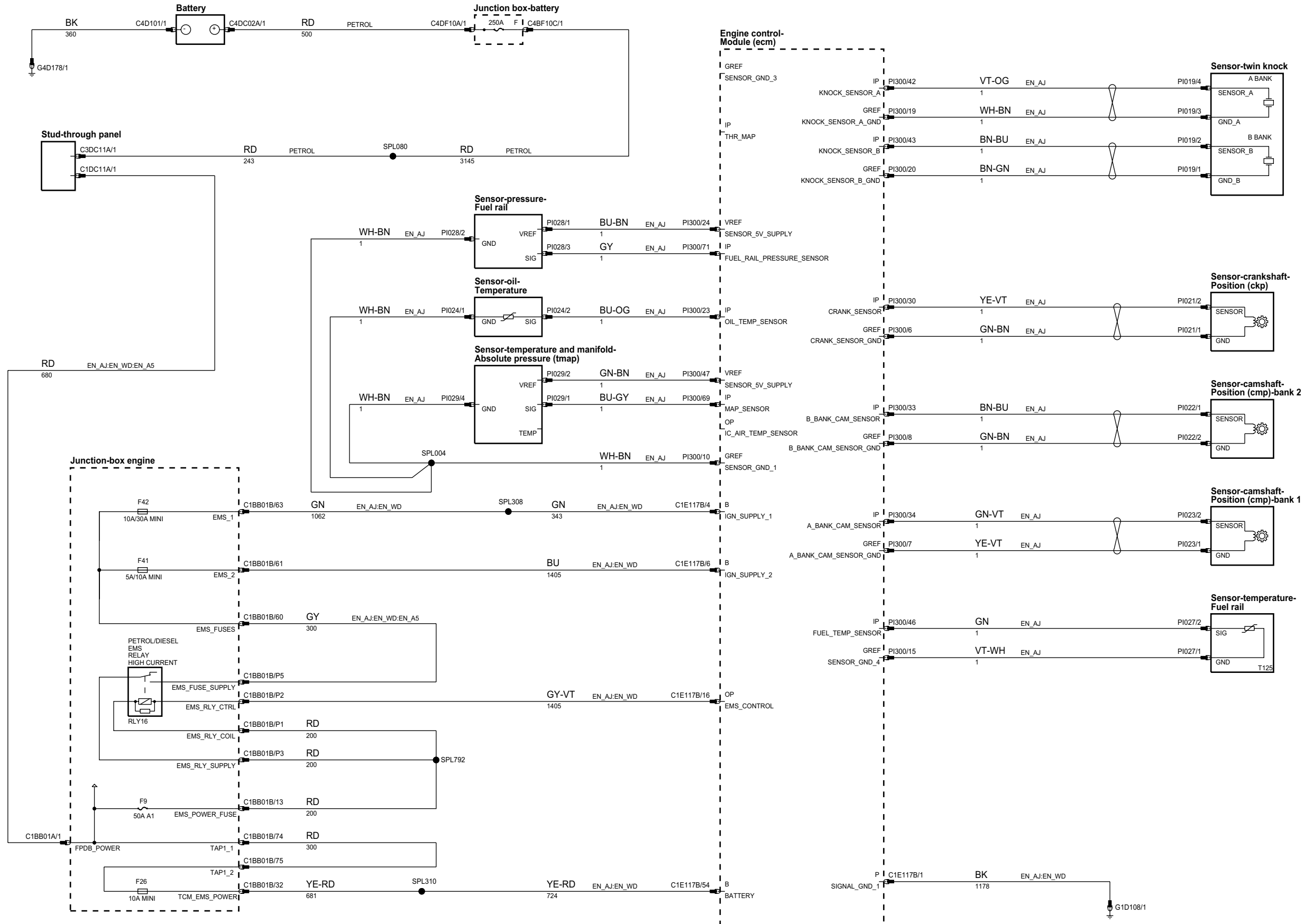
phar83-70038-e-ae



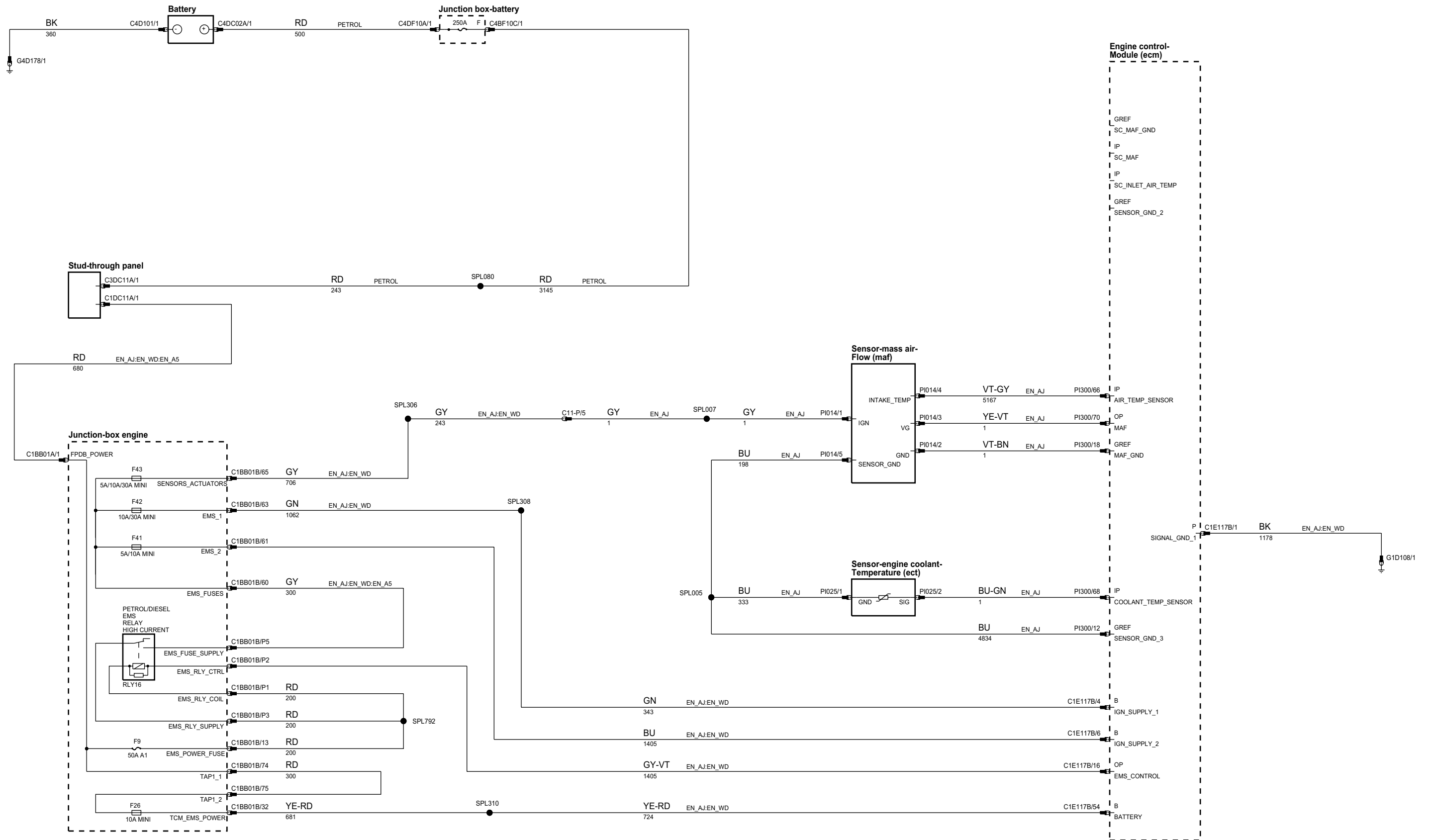
pha83-70030-a-ae



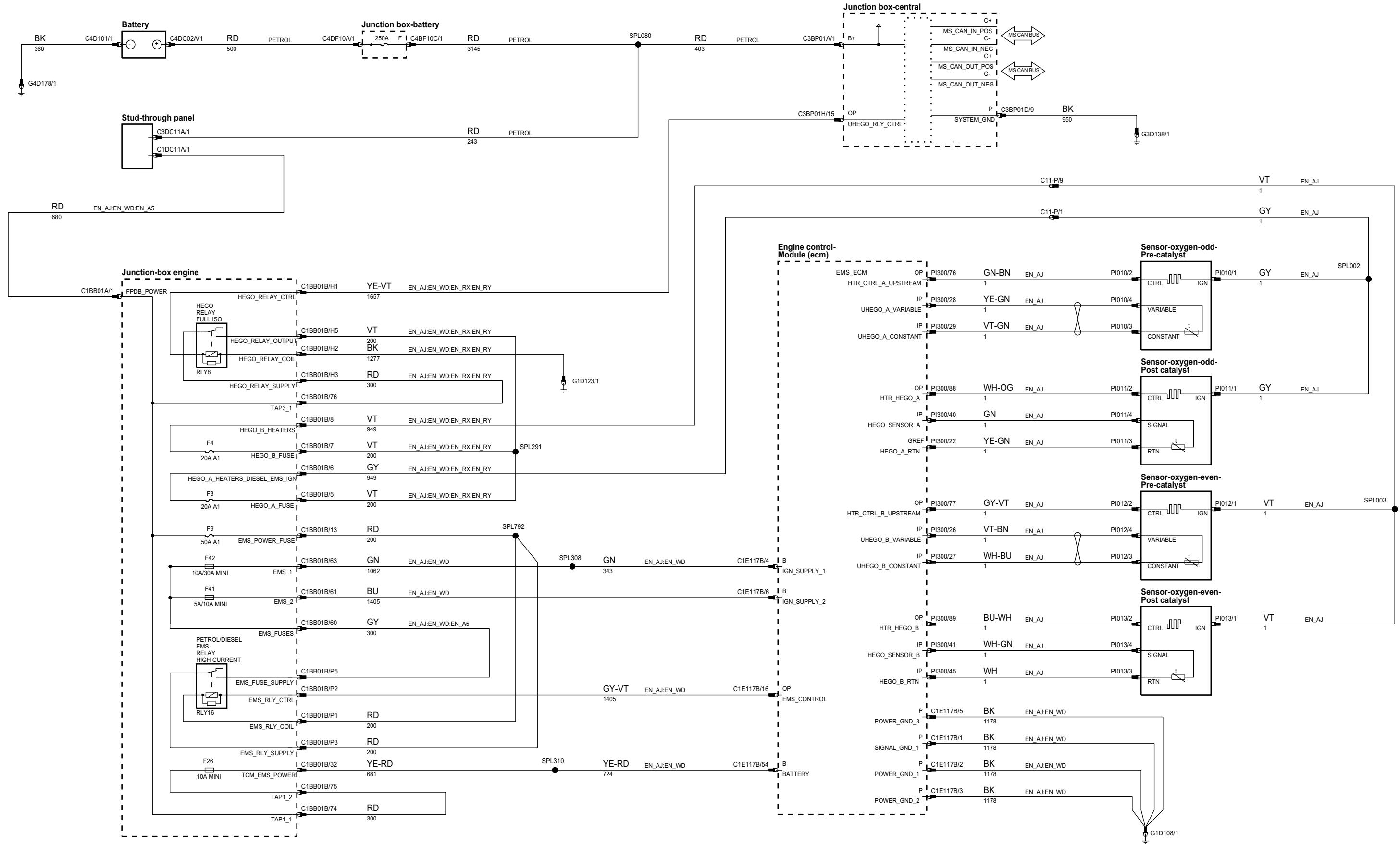
phar83-70034-a-ae



phar83-70034-f-ae

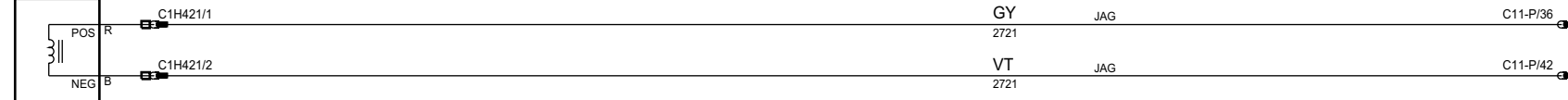


phar83-70035-a-ae



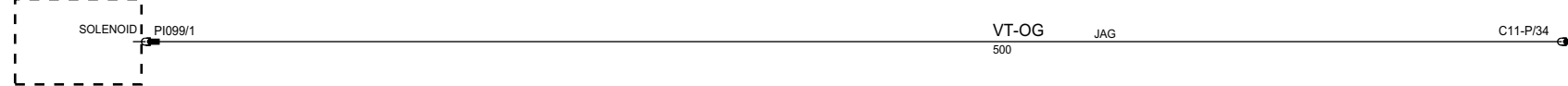
pha133-70031-a-a5

**Air conditioning (a/c)
Compressor solenoid**



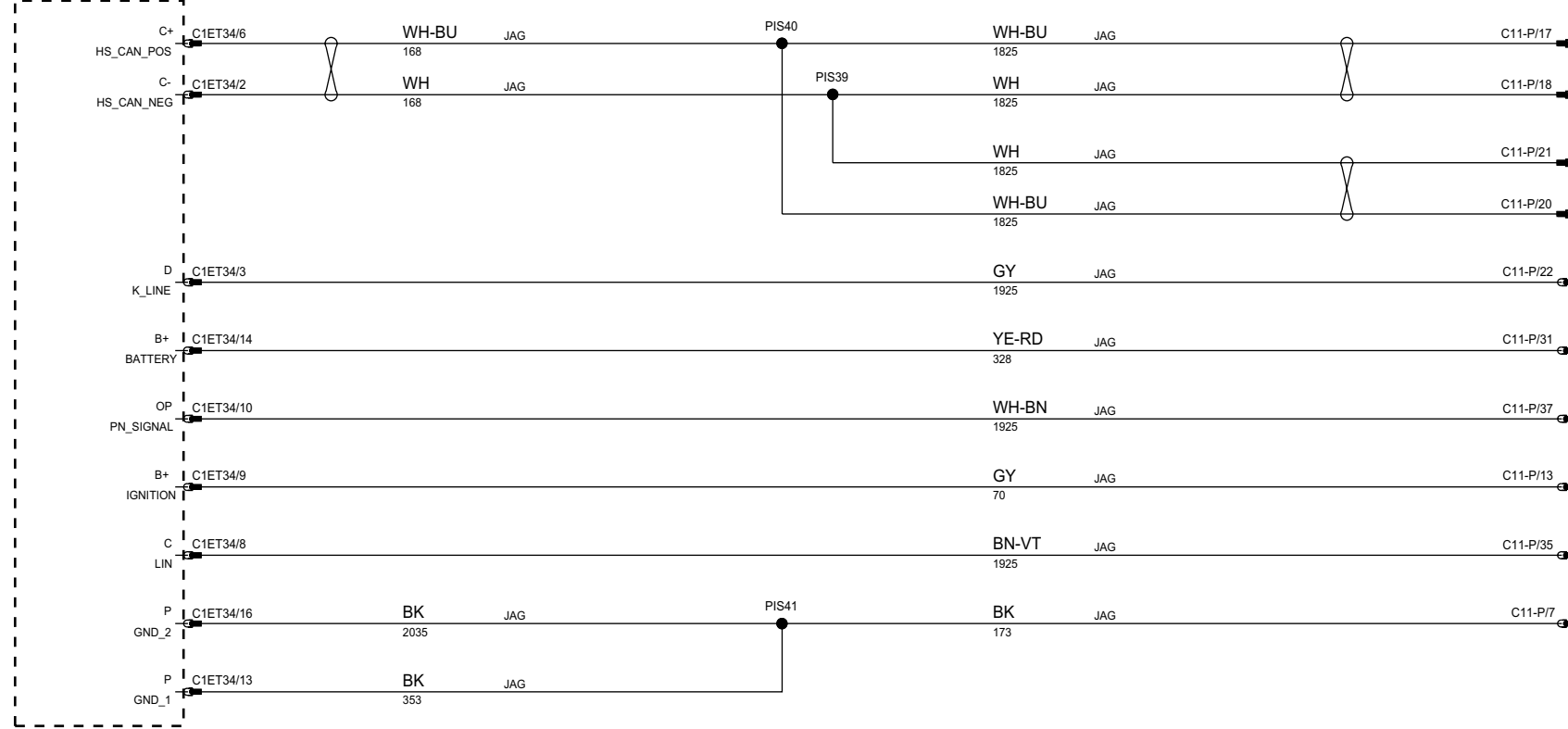
← Refer to climate control

Starter motor



← Refer to engine junction box

**Transmission control
Module**

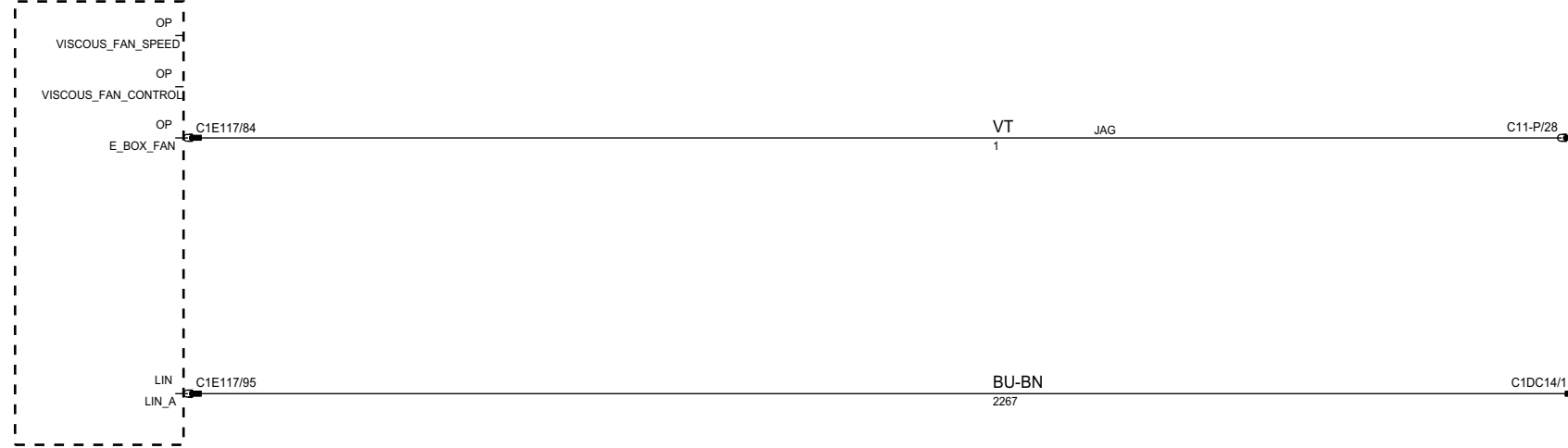


→ Refer to can bus - high speed

← Refer to engine junction box

→ Refer to transmission

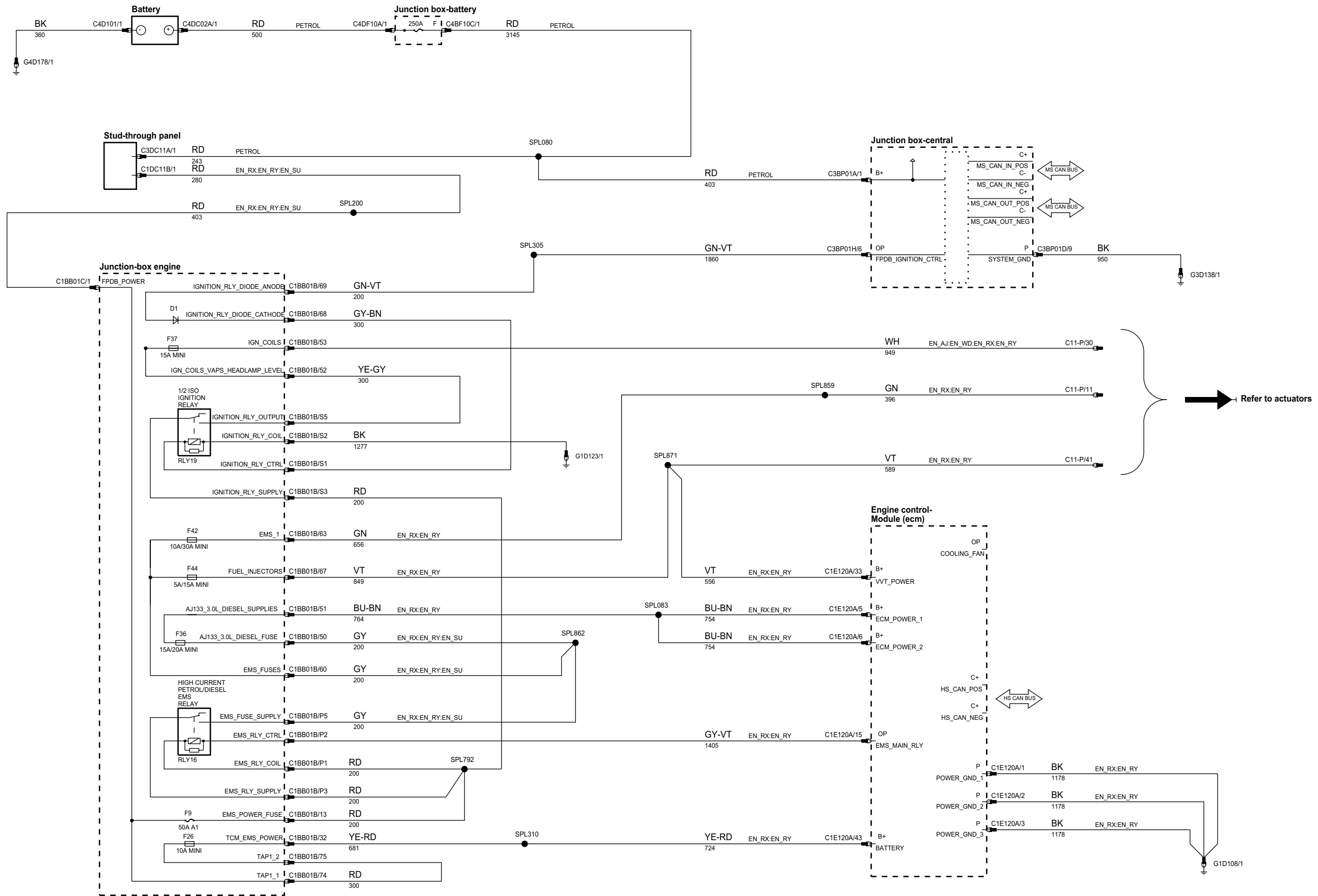
**Engine control-
Module (ecm)**



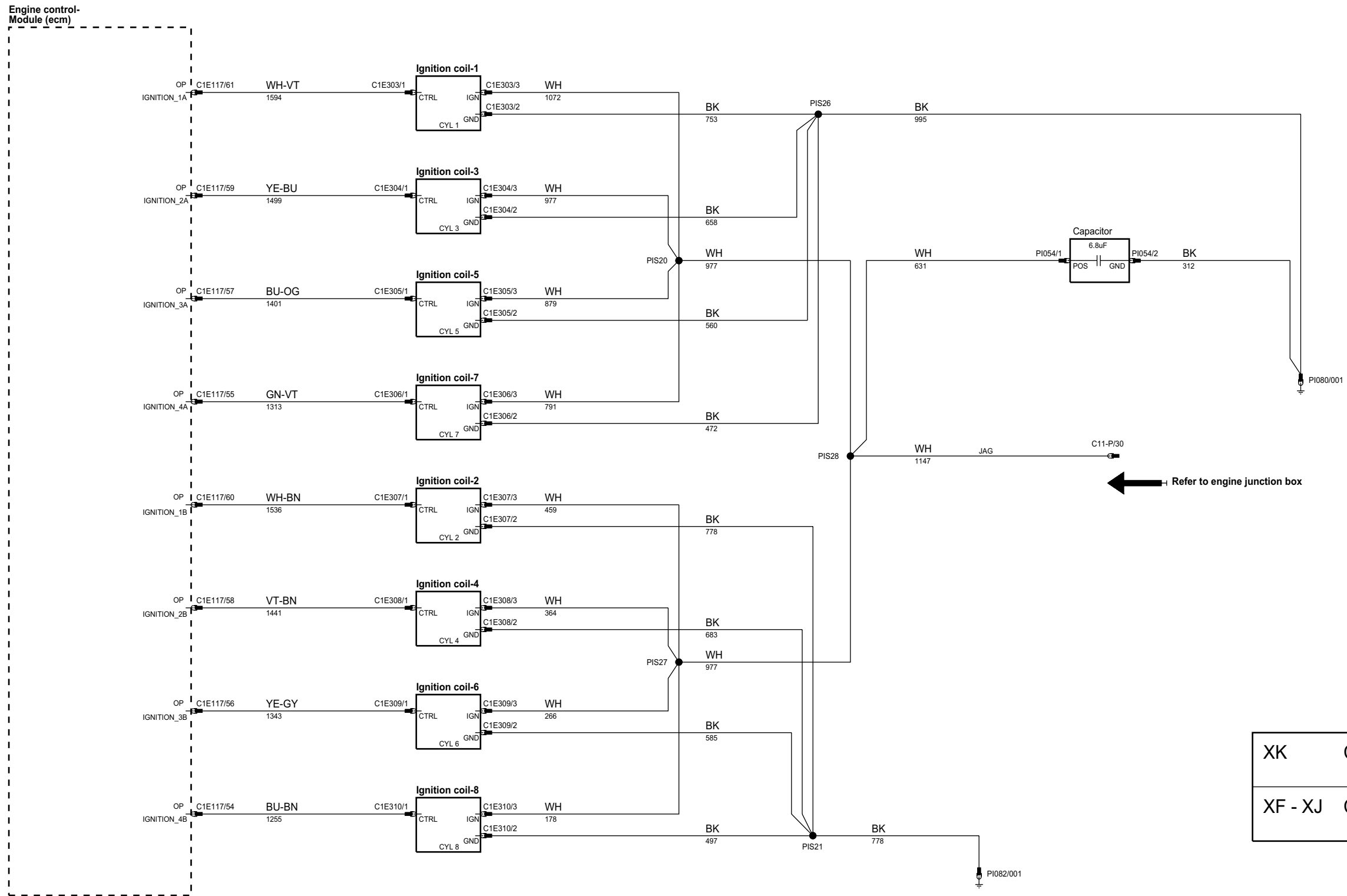
← Refer to engine junction box

XK	C11-P = PI041
XF - XJ	C11-P = C11-P

phar83-70038-b-ae

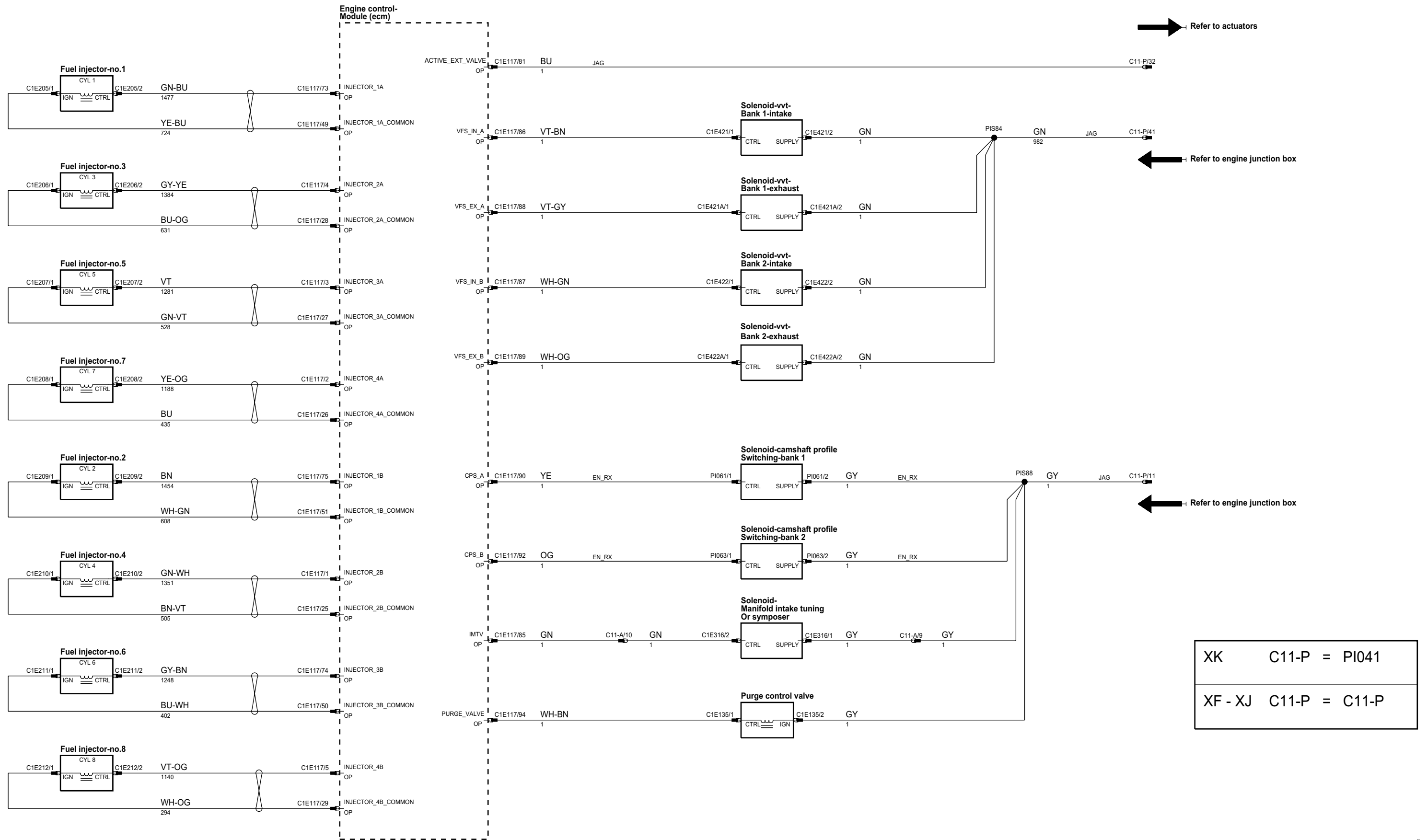


pha133-70035-f-a5



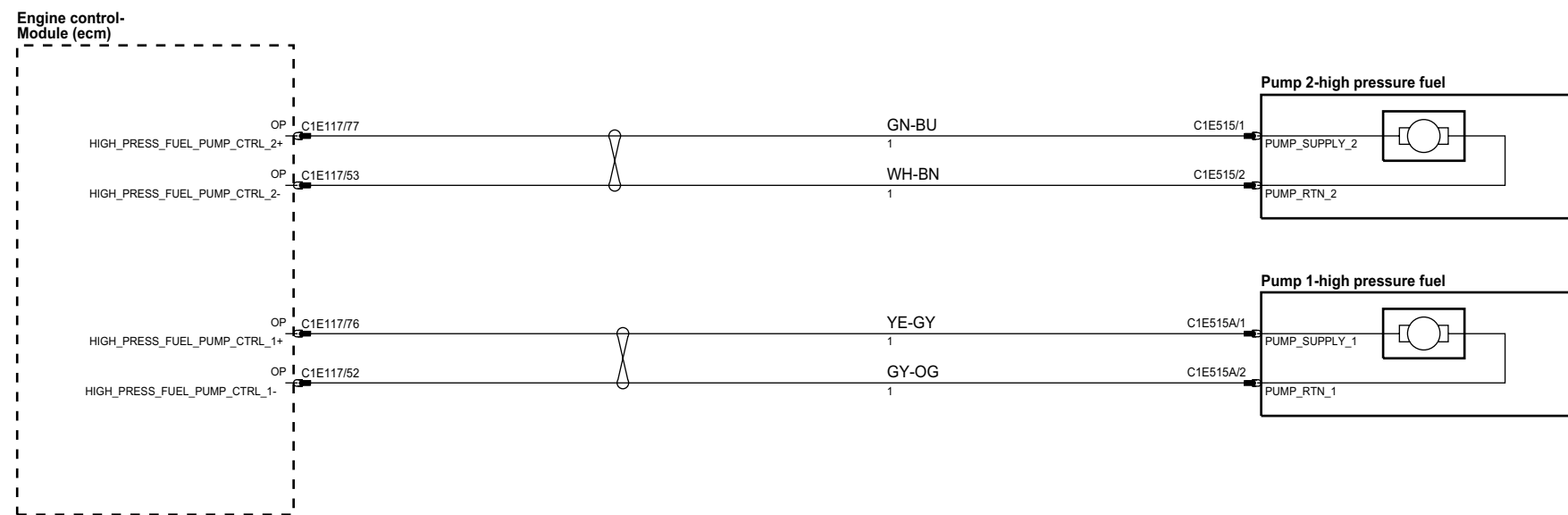
XK	C11-P = PI041
XF - XJ	C11-P = C11-P

phaj133-70035-g-a5

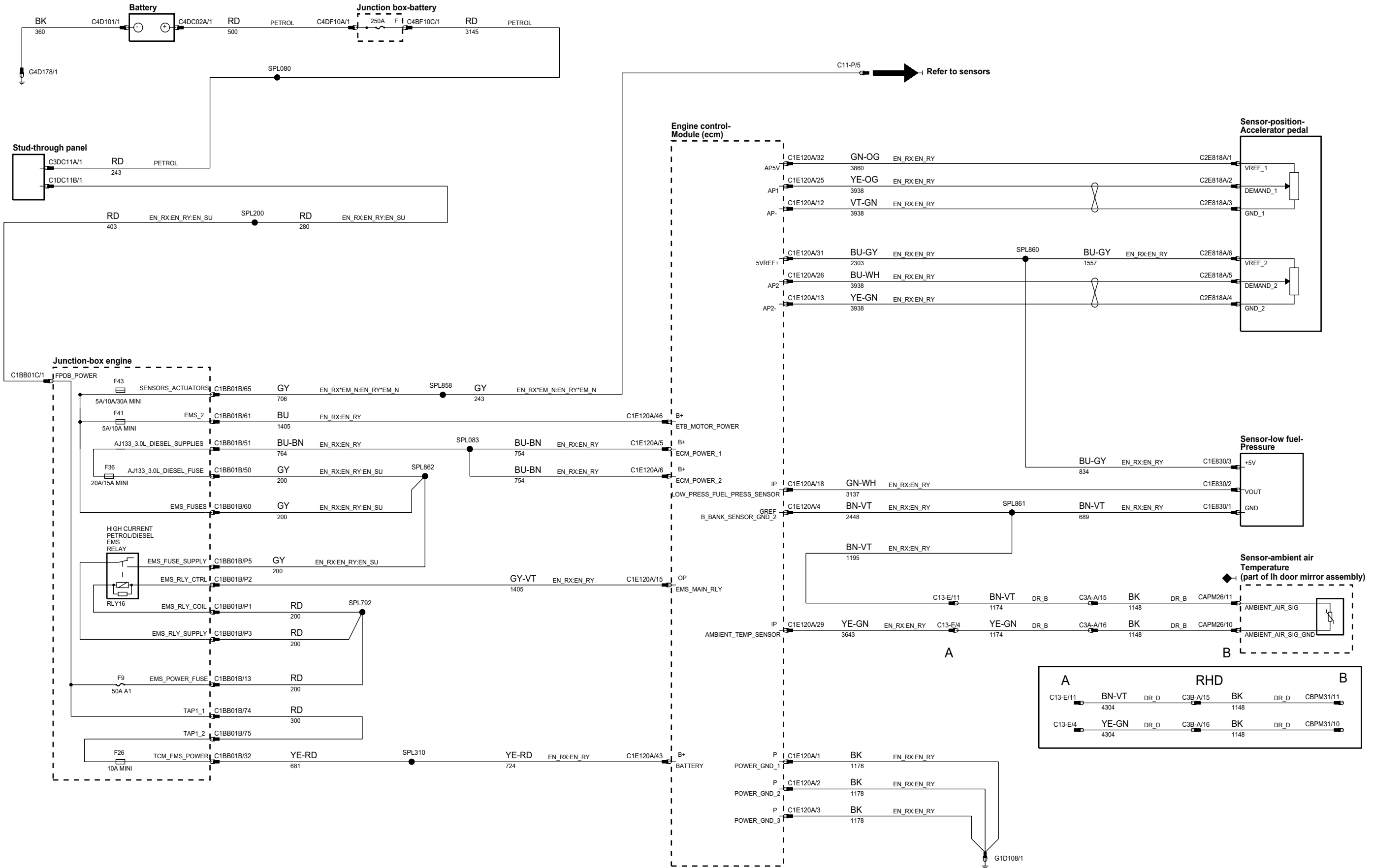


XK	C11-P = PI041
XF - XJ	C11-P = C11-P

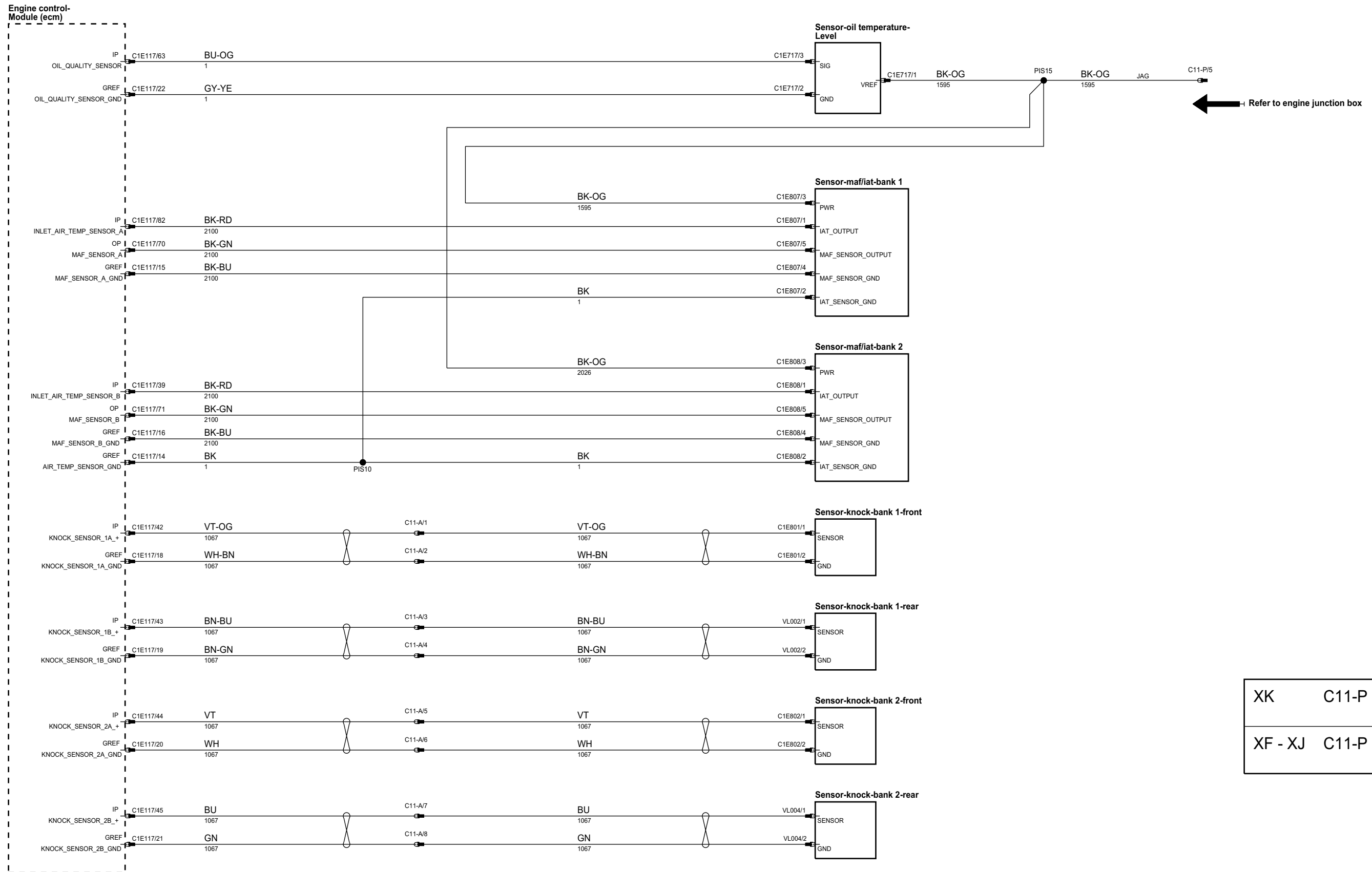
pha133-70035-h-a5



phar83-70034-b-ae

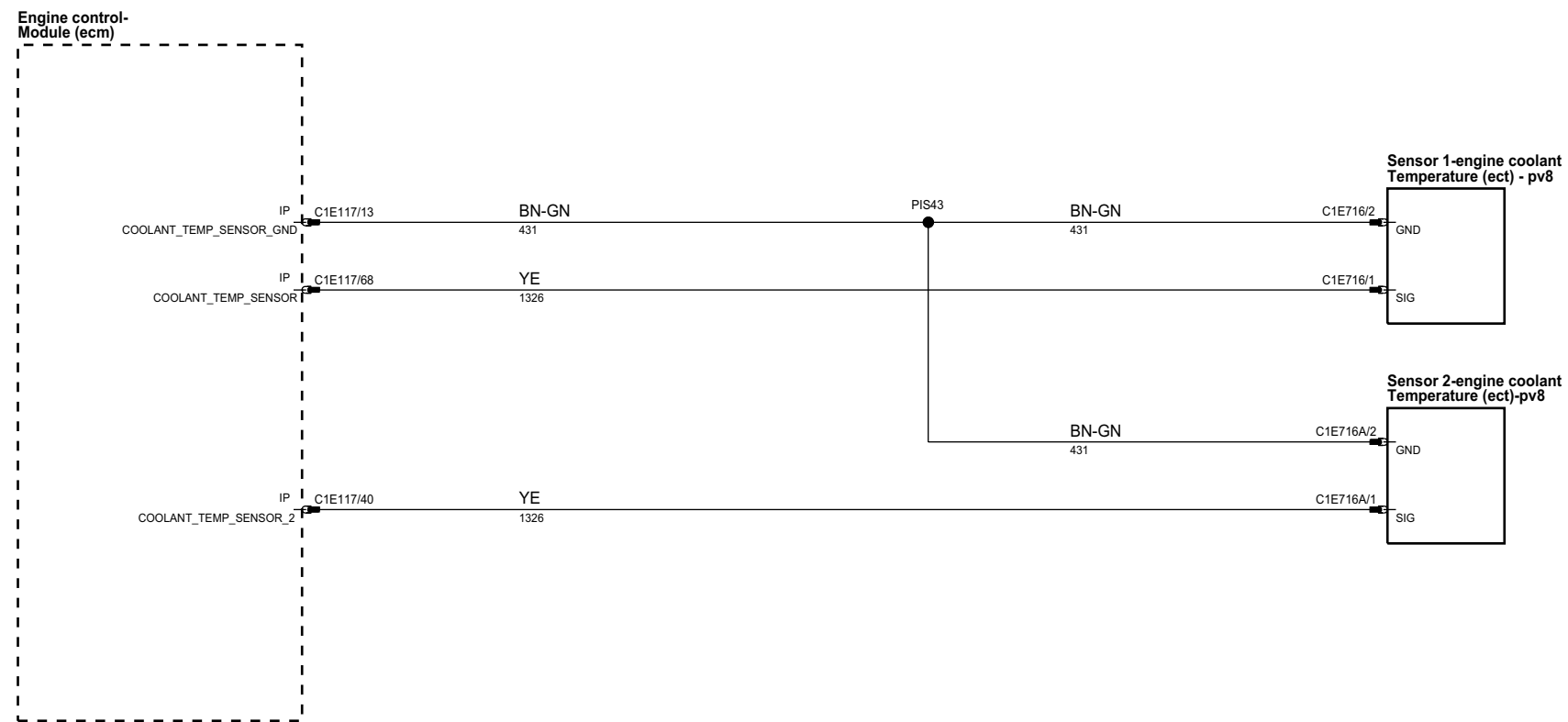


pha133-70035-j-a5

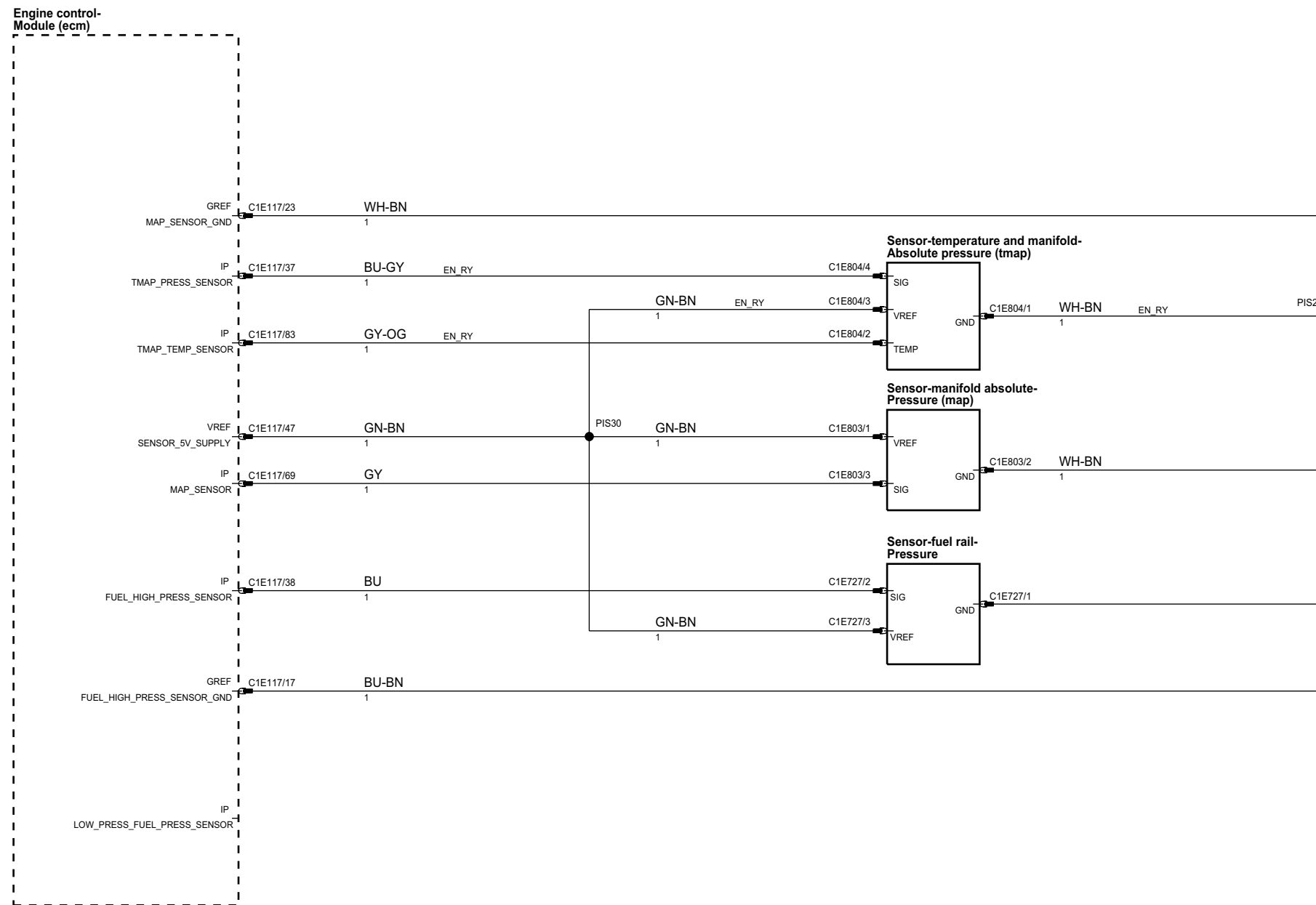


XK	C11-P = PI041
XF - XJ	C11-P = C11-P

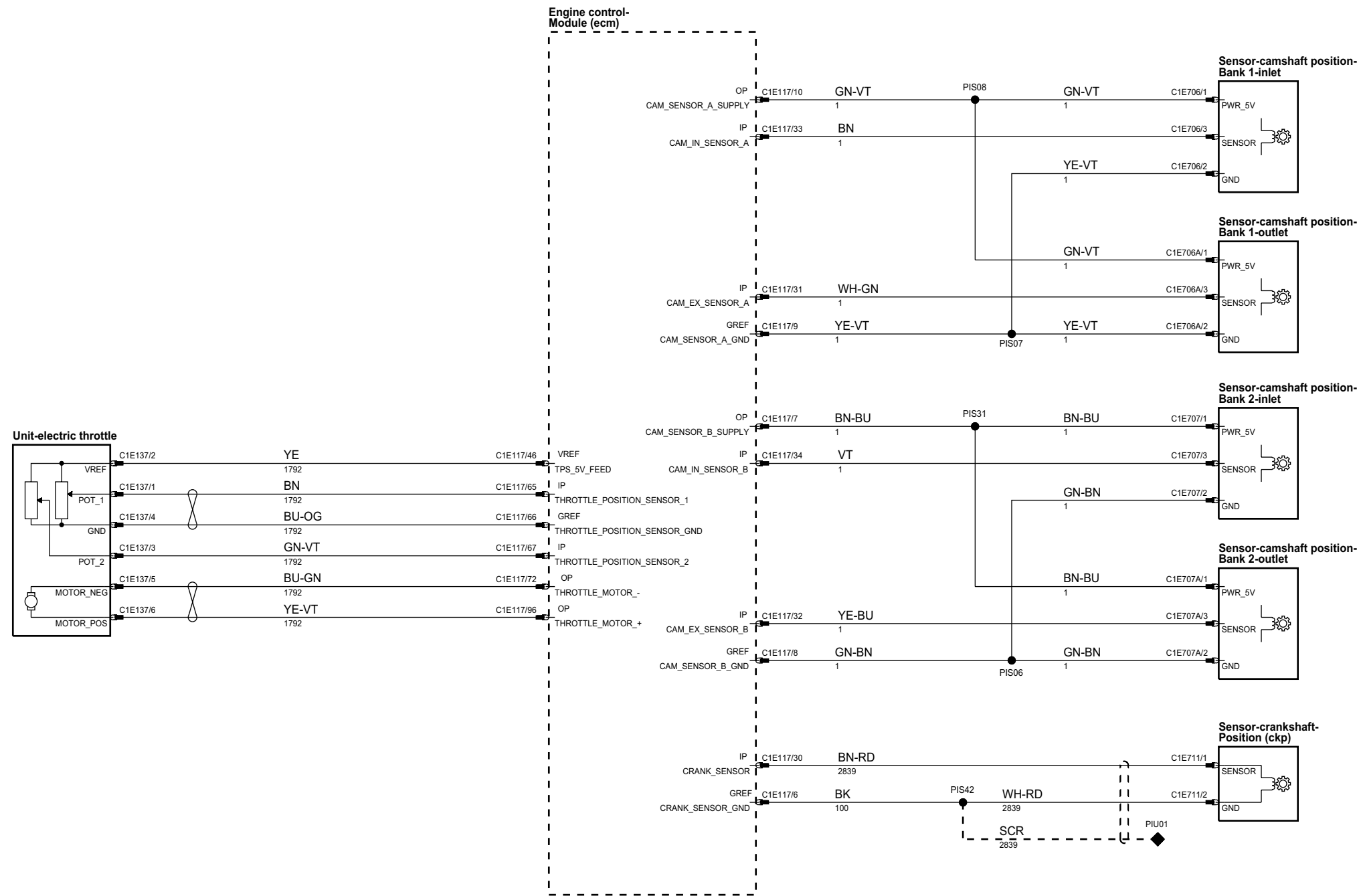
phj133-70035-b-a5



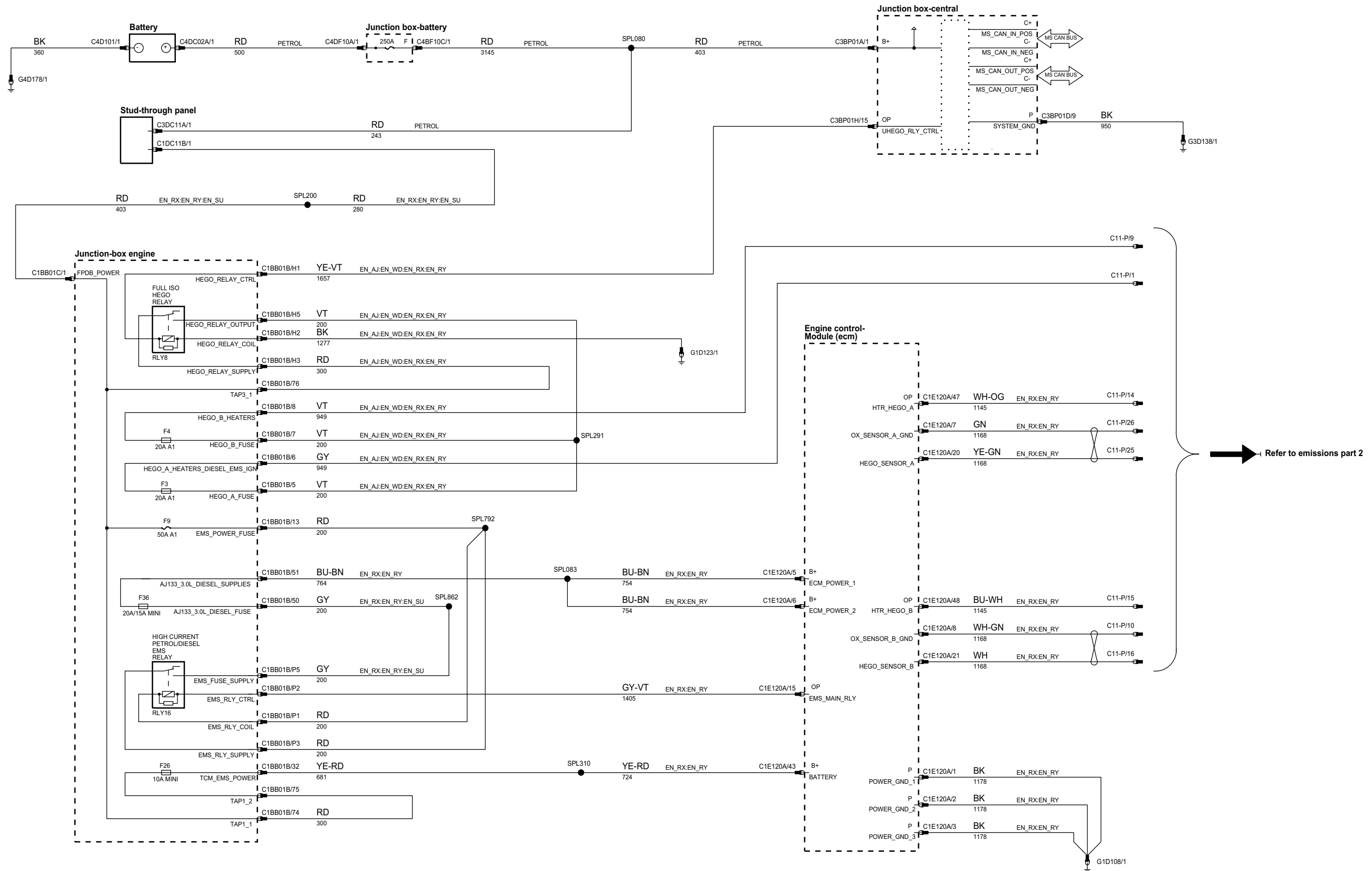
pha133-70035-ca5



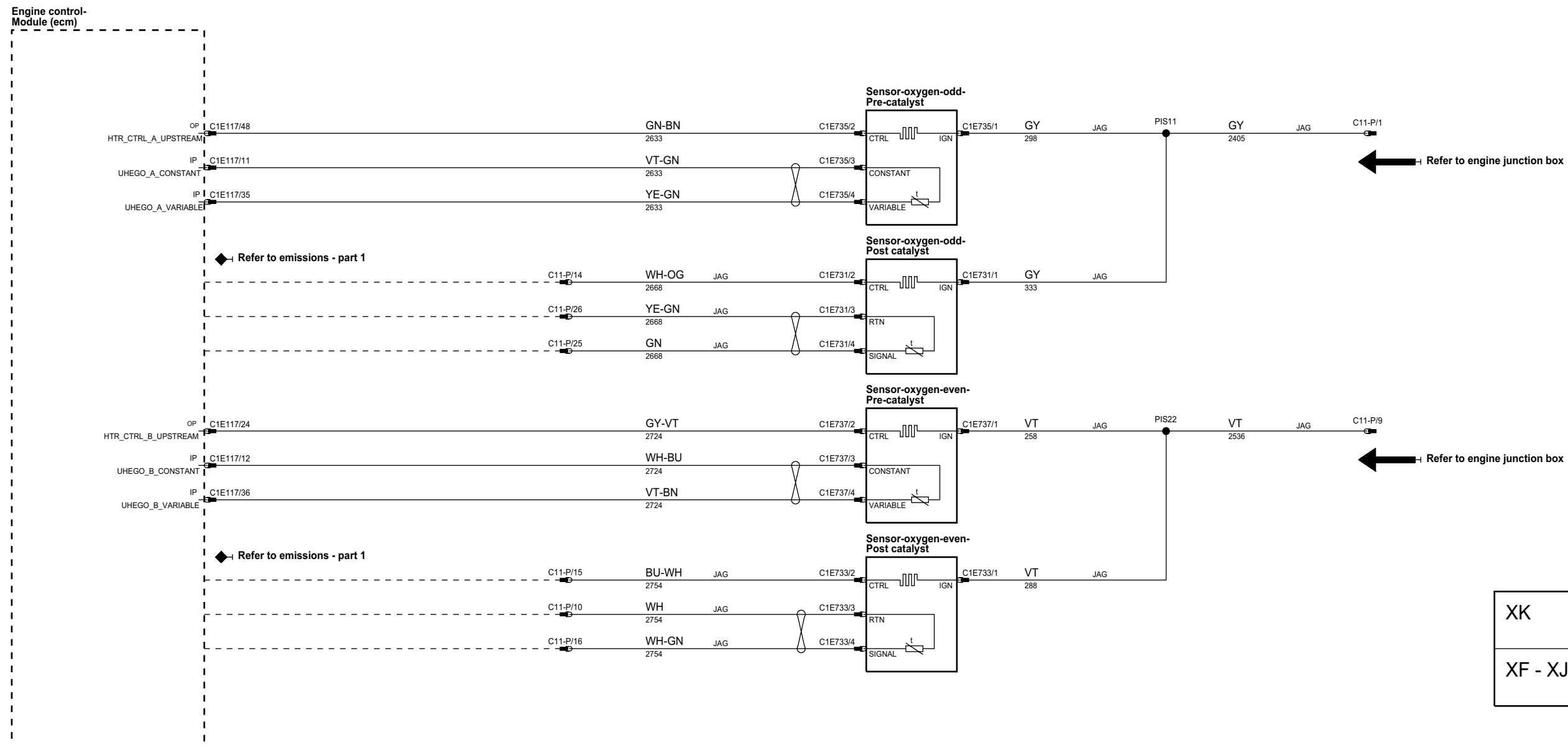
phaj133-70035-d-a5



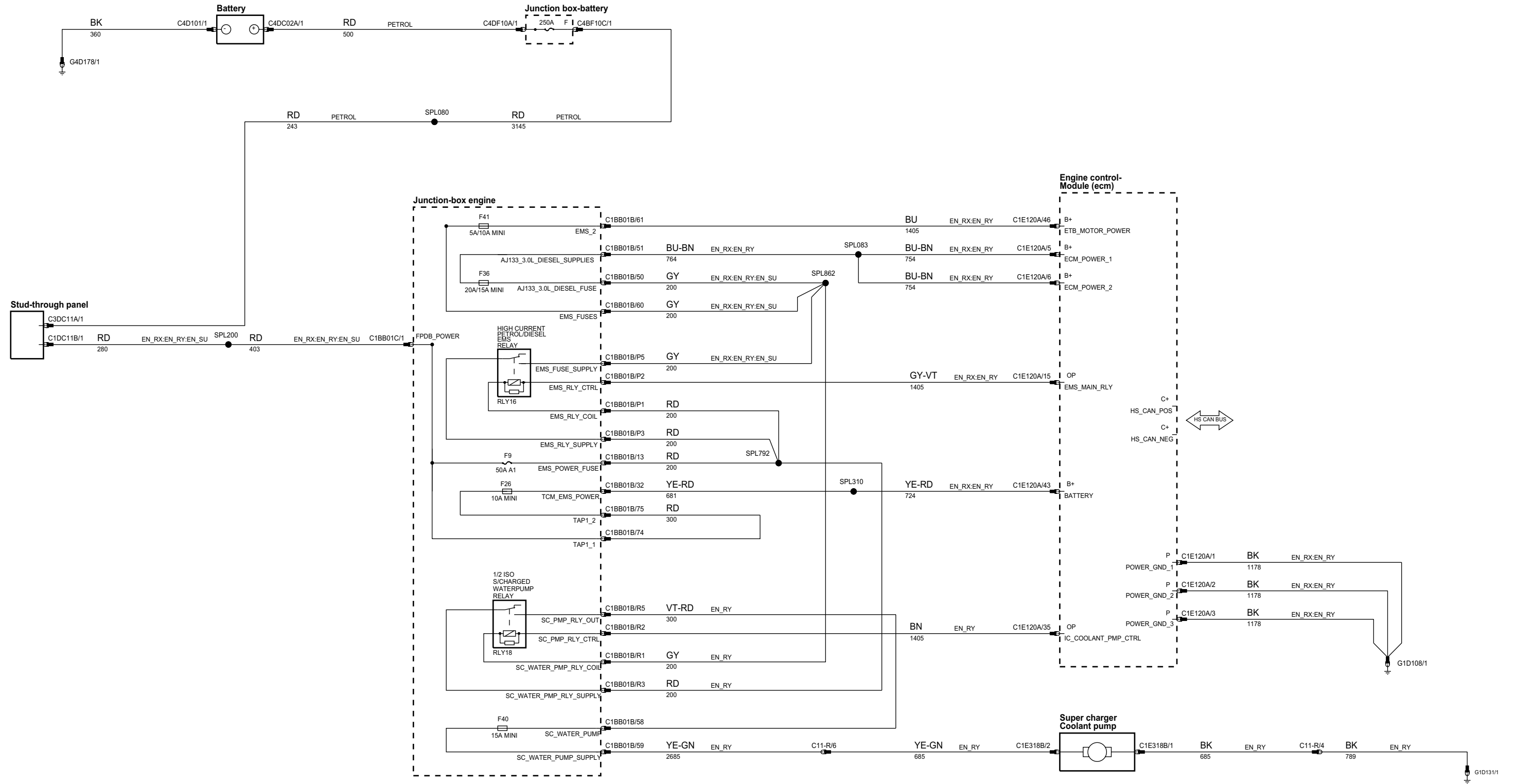
phar83-70035-b-ae



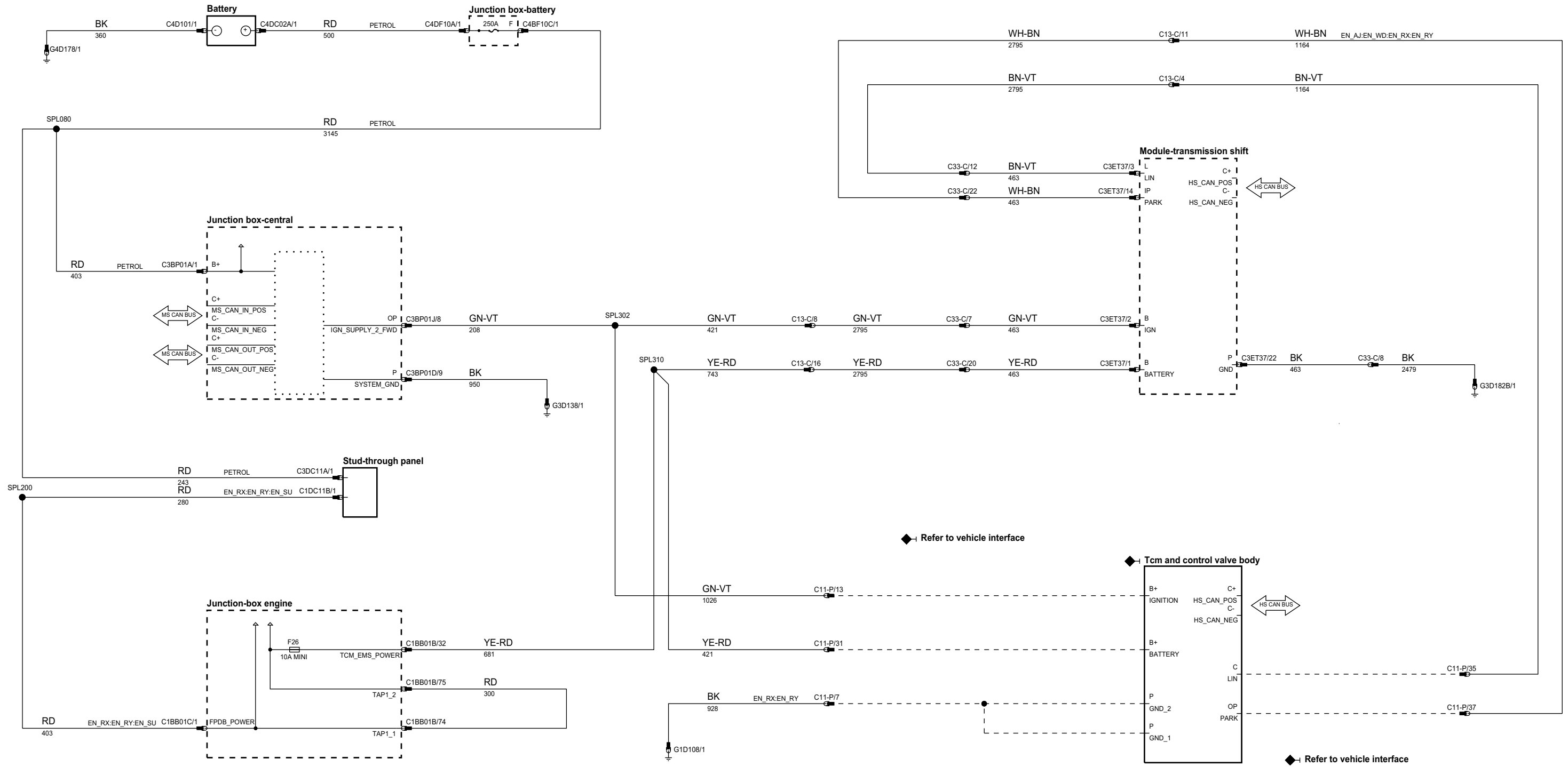
phj133-70035-e-a5



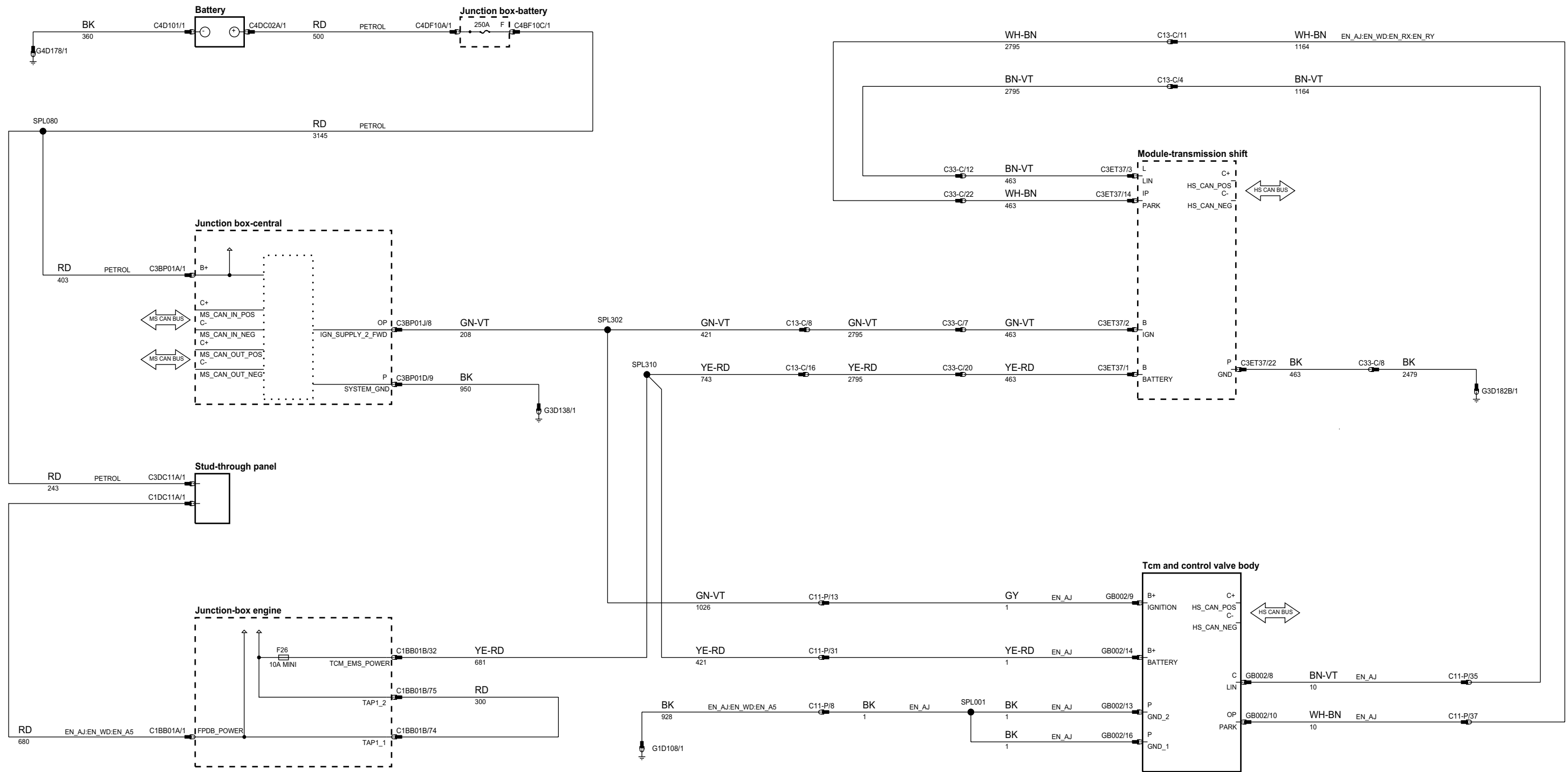
phar83-70031-b-ae



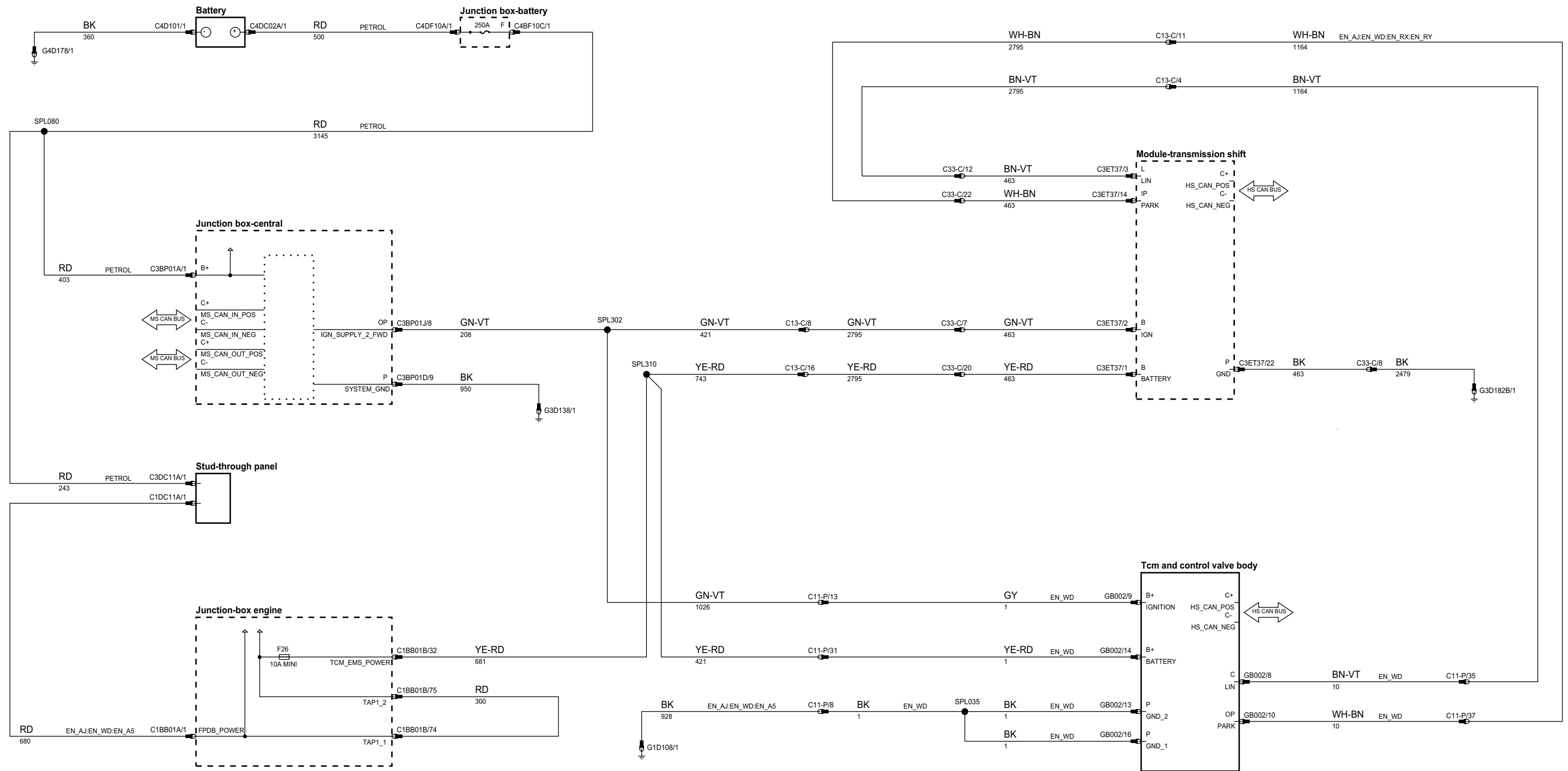
phar83-70041-b-ae



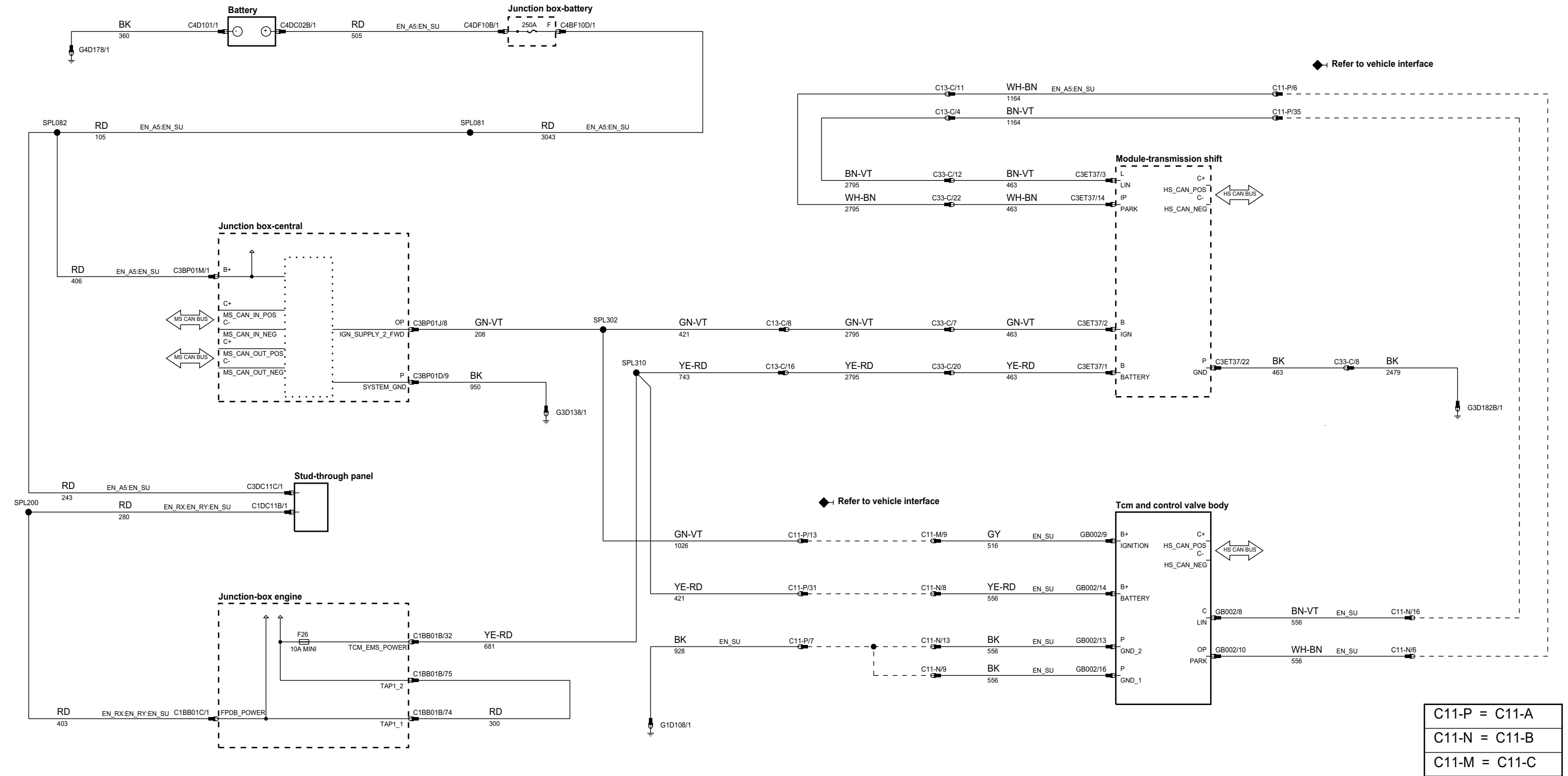
phar83-70041-a-ae



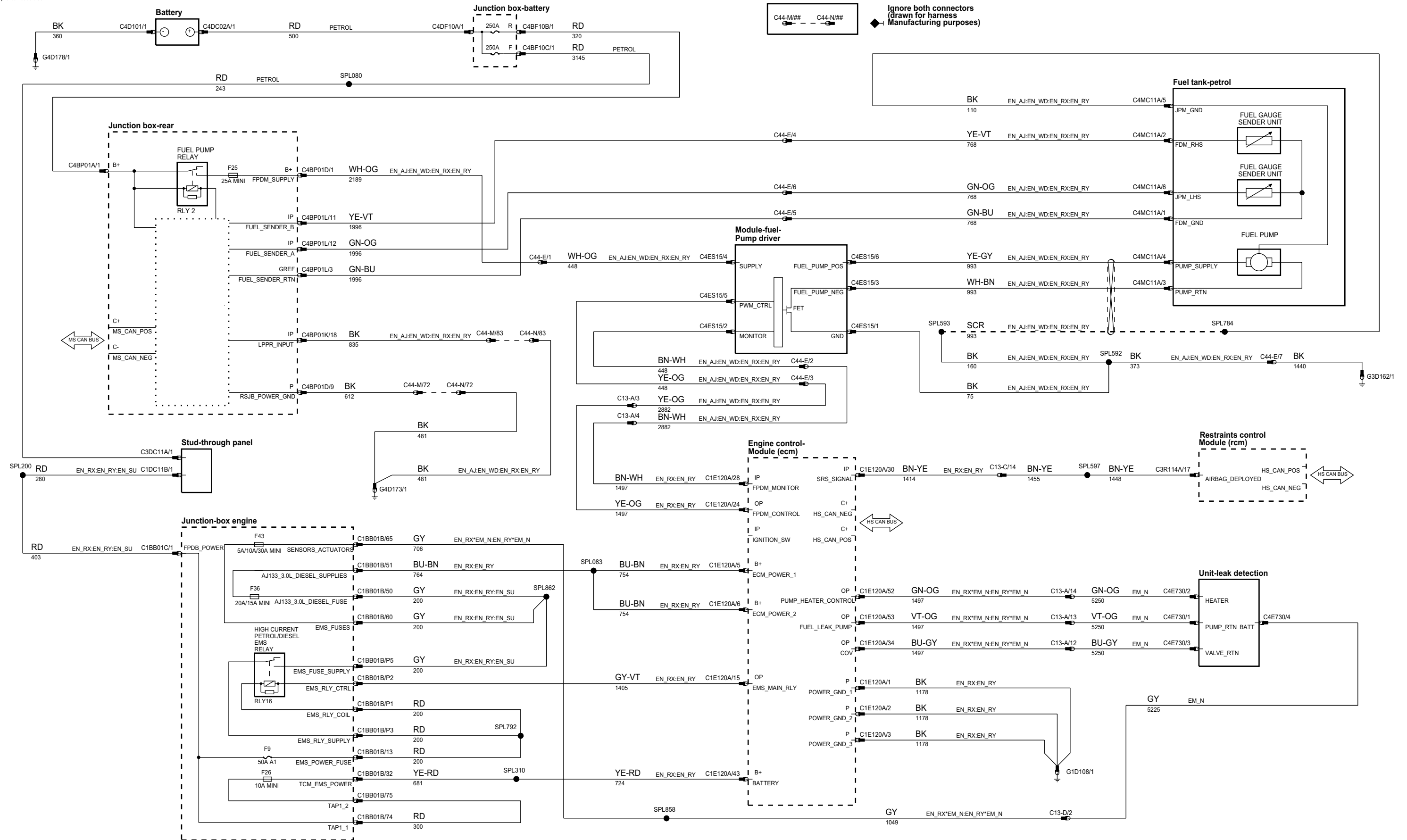
phar83-70041-c-ae



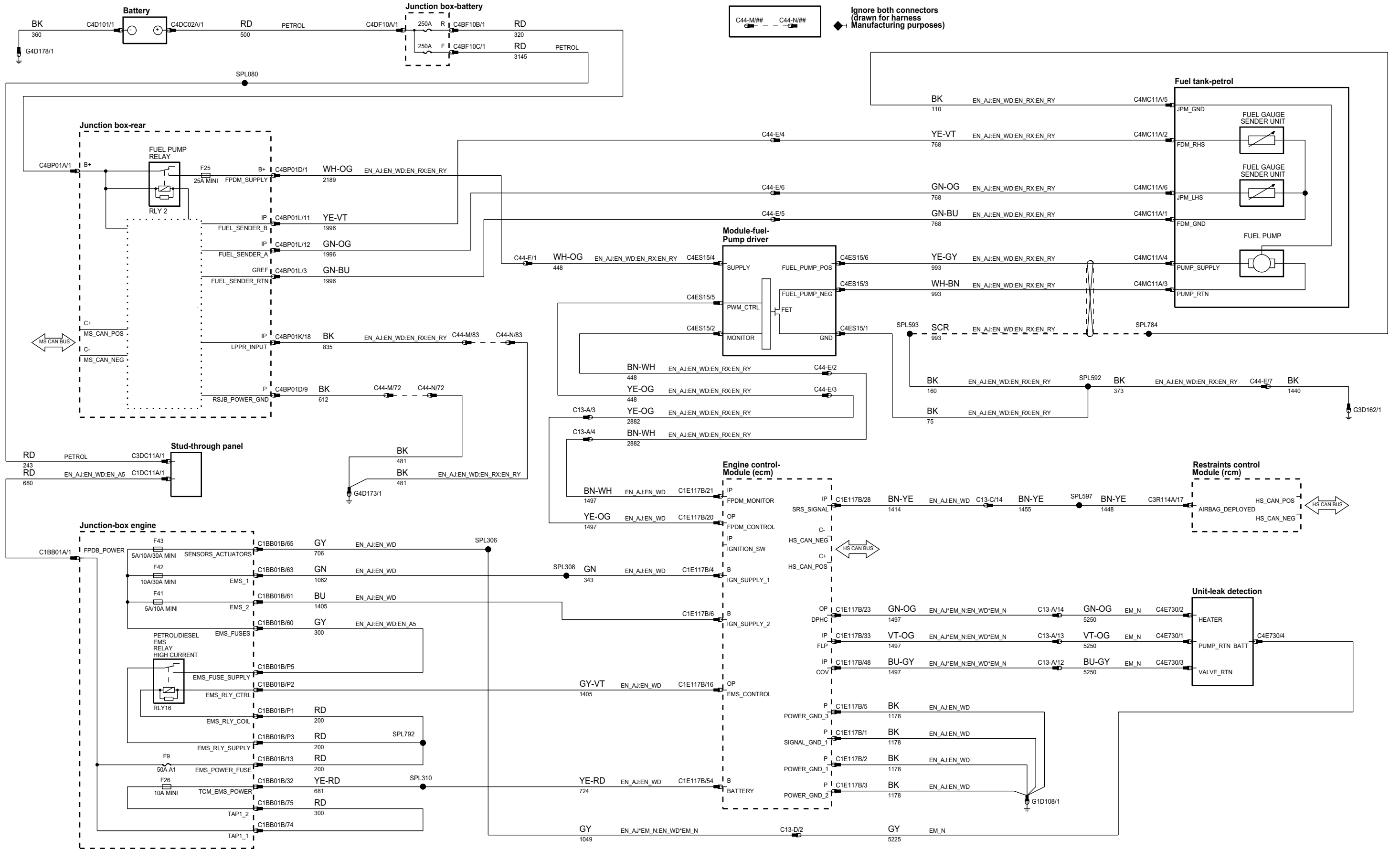
phar83-70041-d2-ae



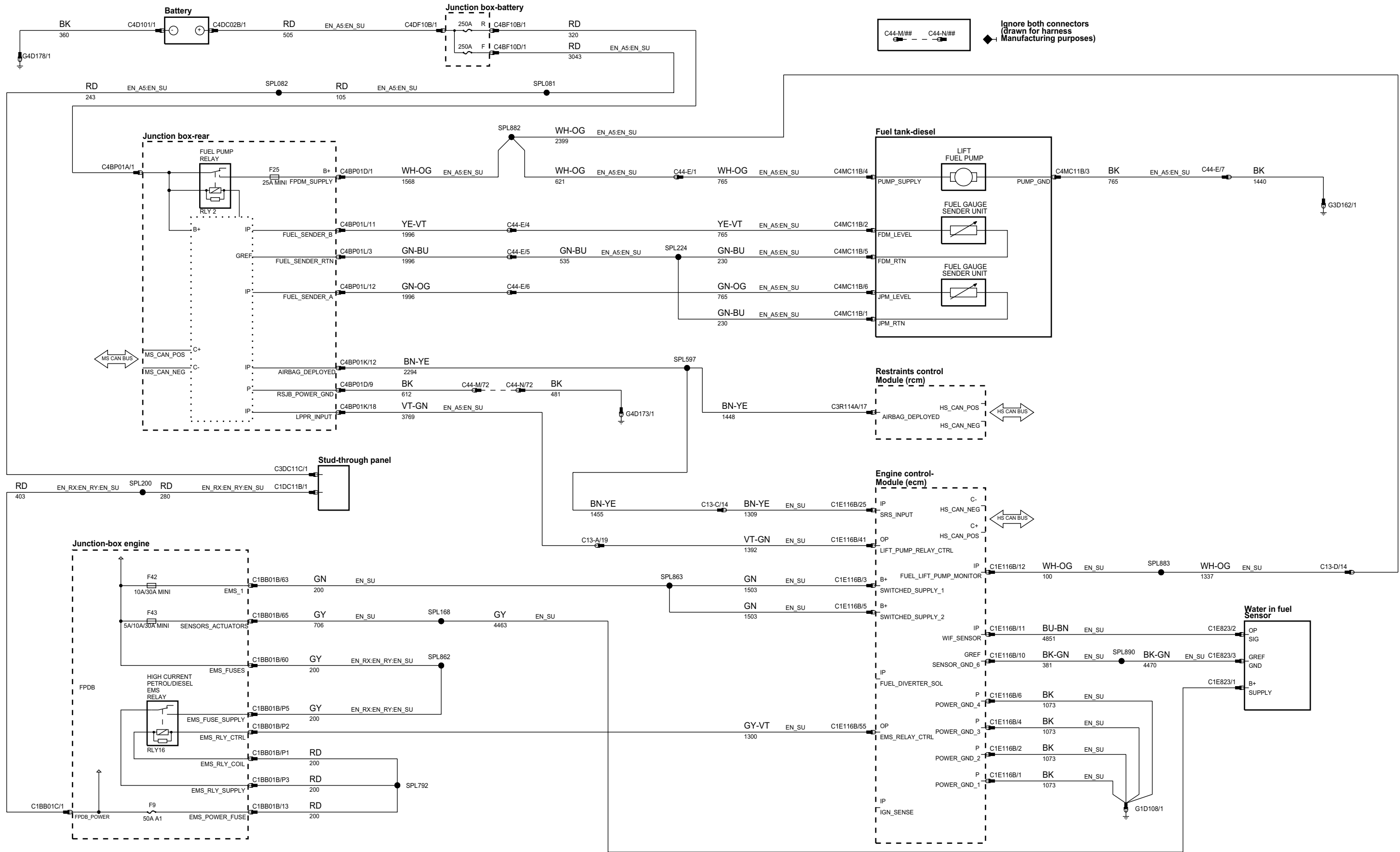
phar83-70036-b-ae



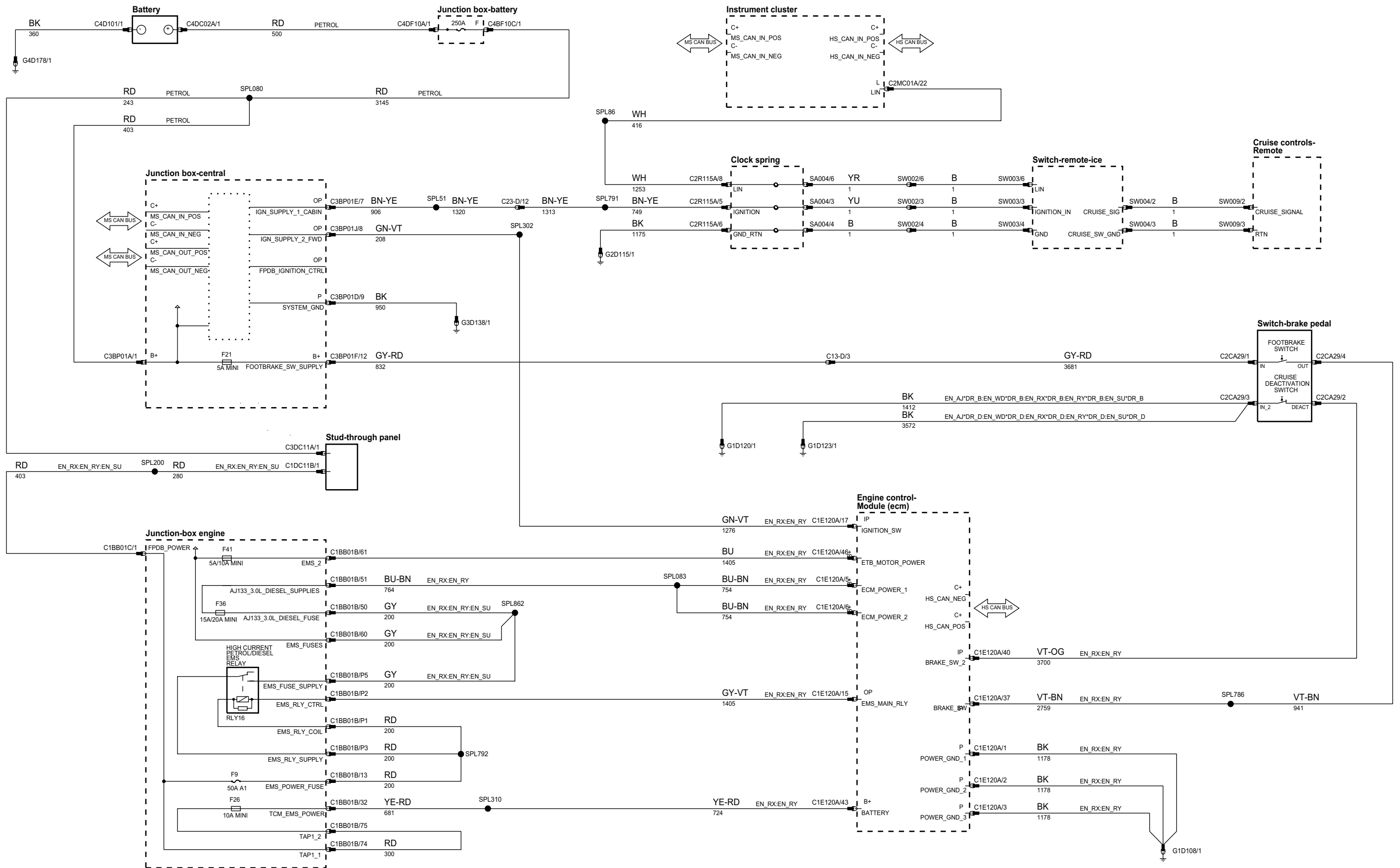
phar83-70036-a-ae



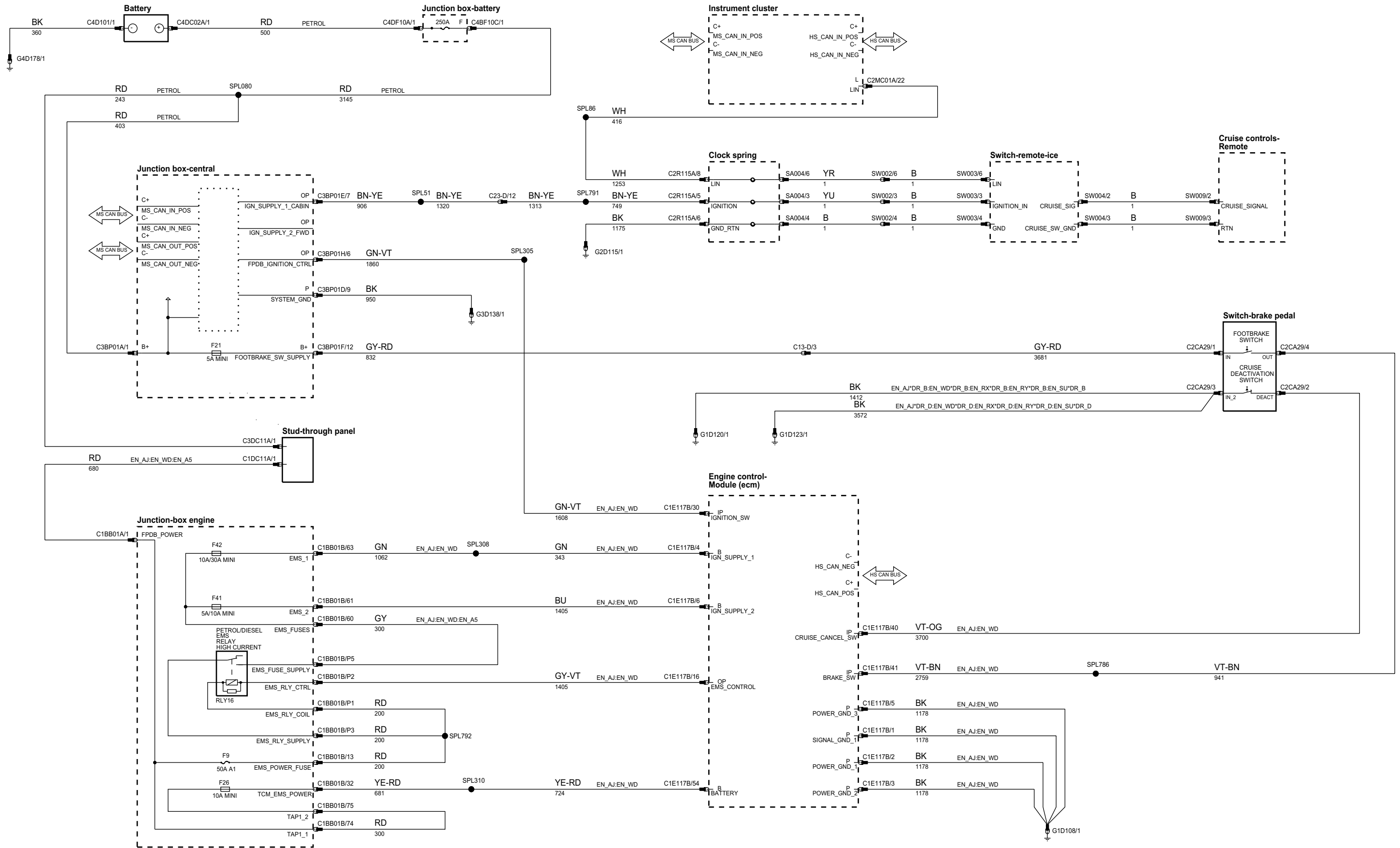
phar83-70036-d2-ae



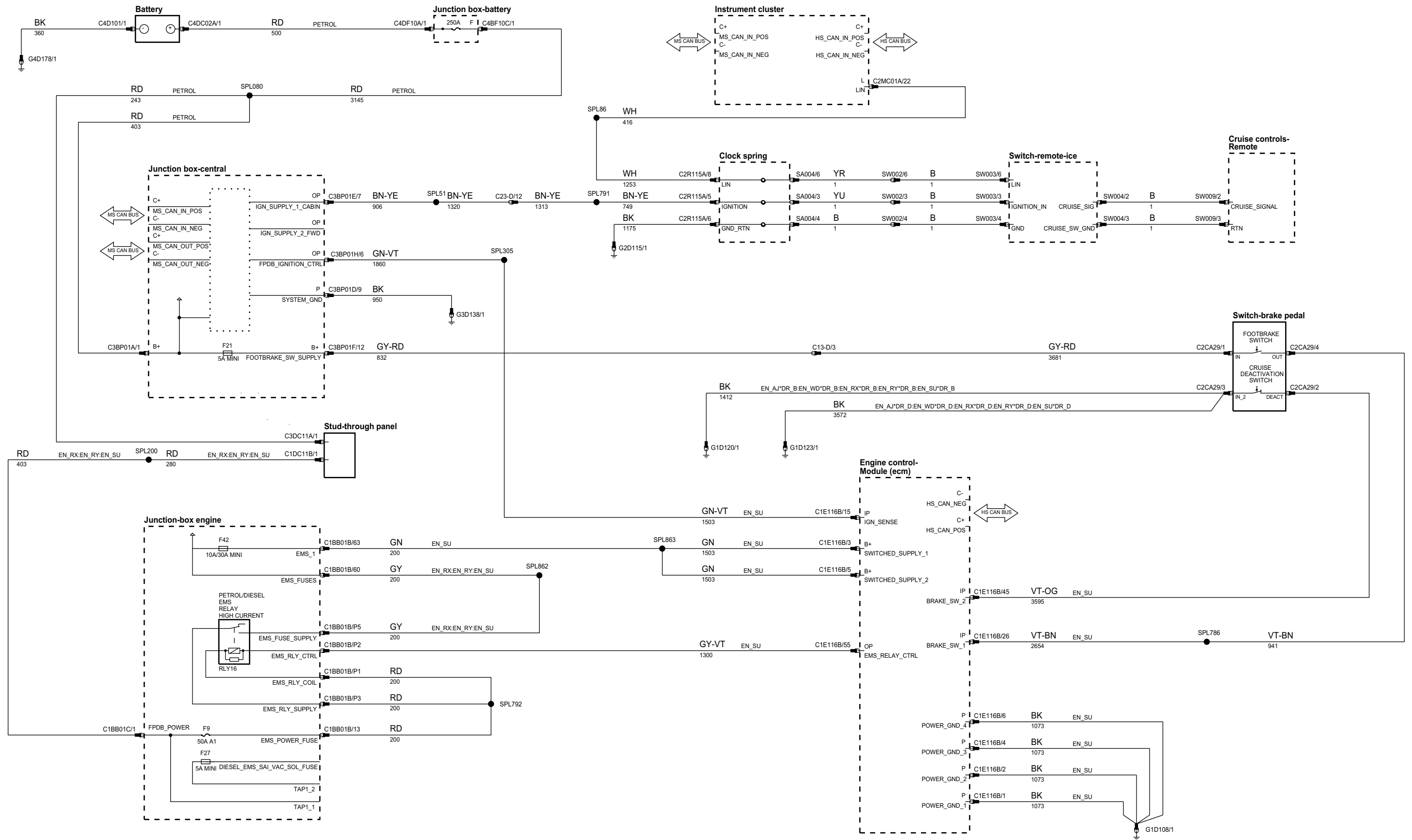
phar83-70190-b-ae



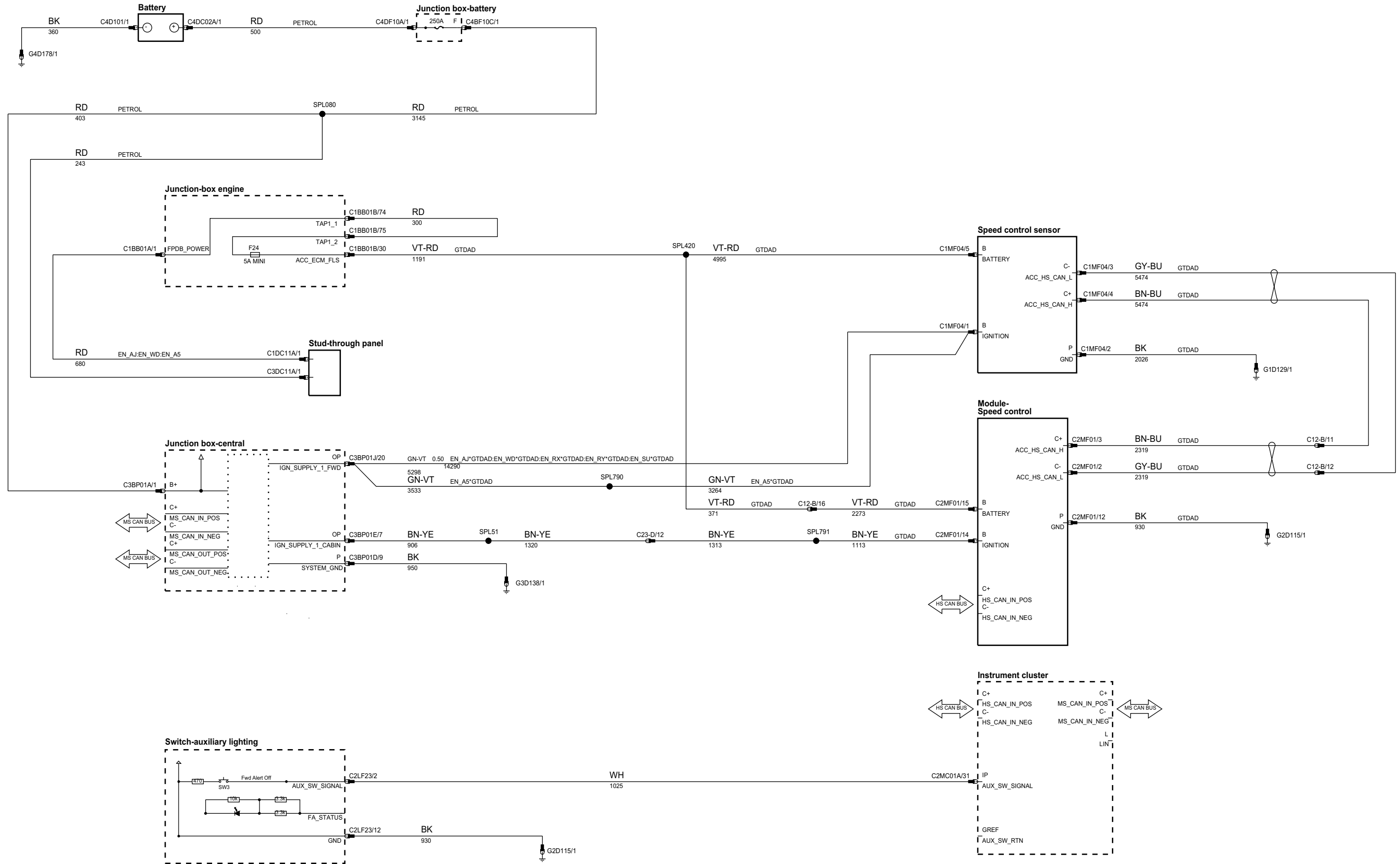
phar83-70190-a-ae



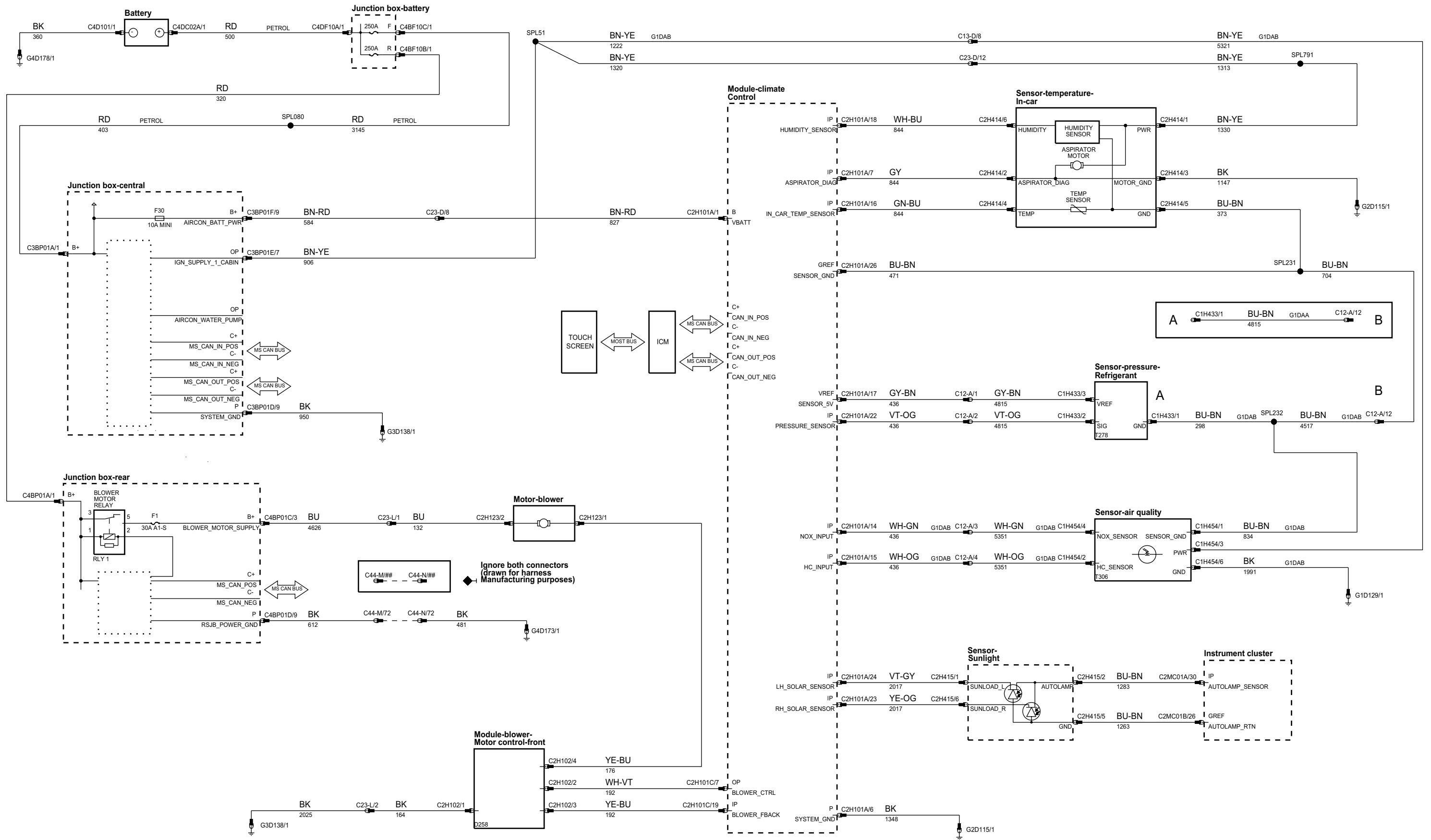
phar83-70190-d2-ae



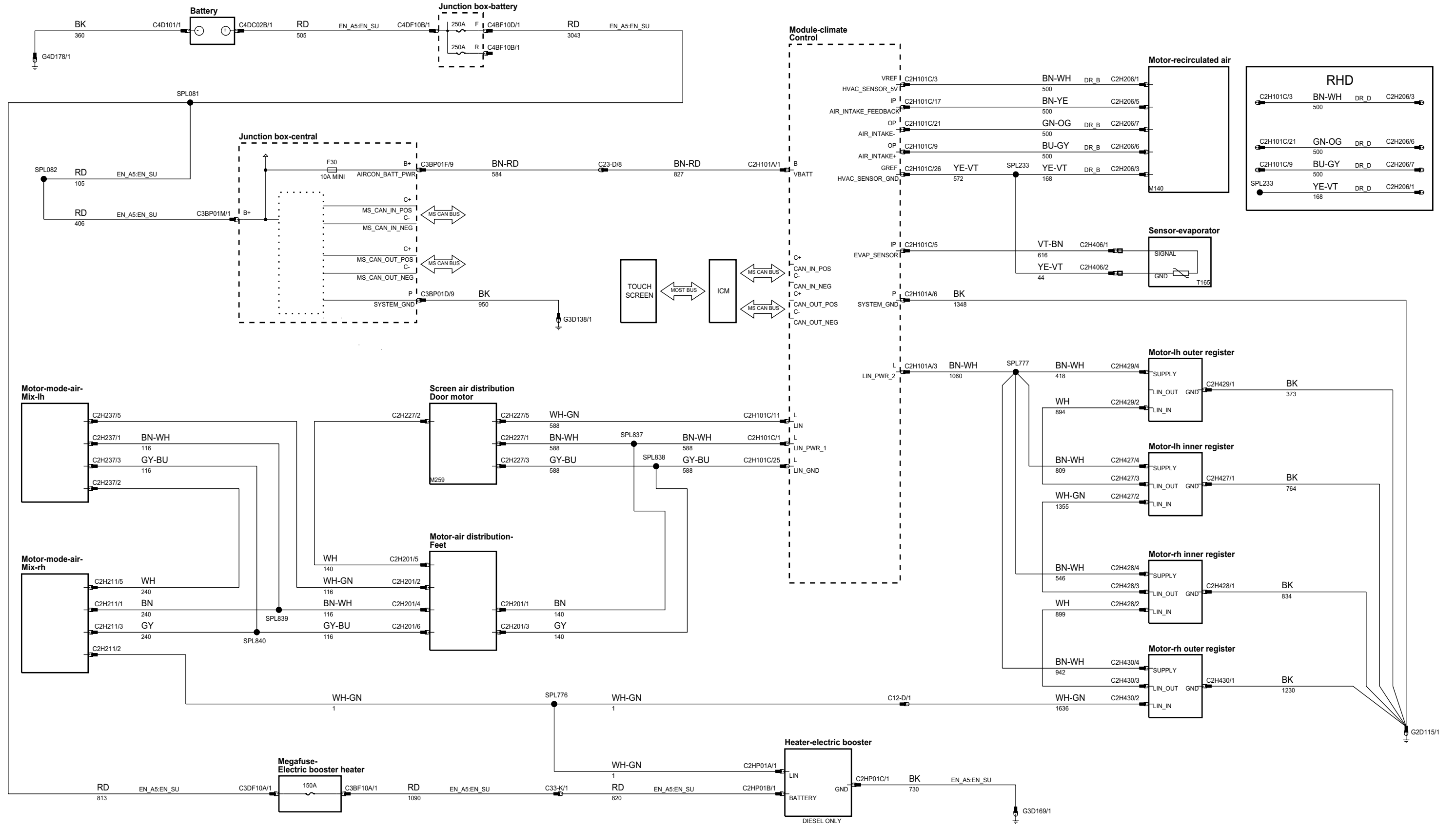
phar83-70486-a-ae



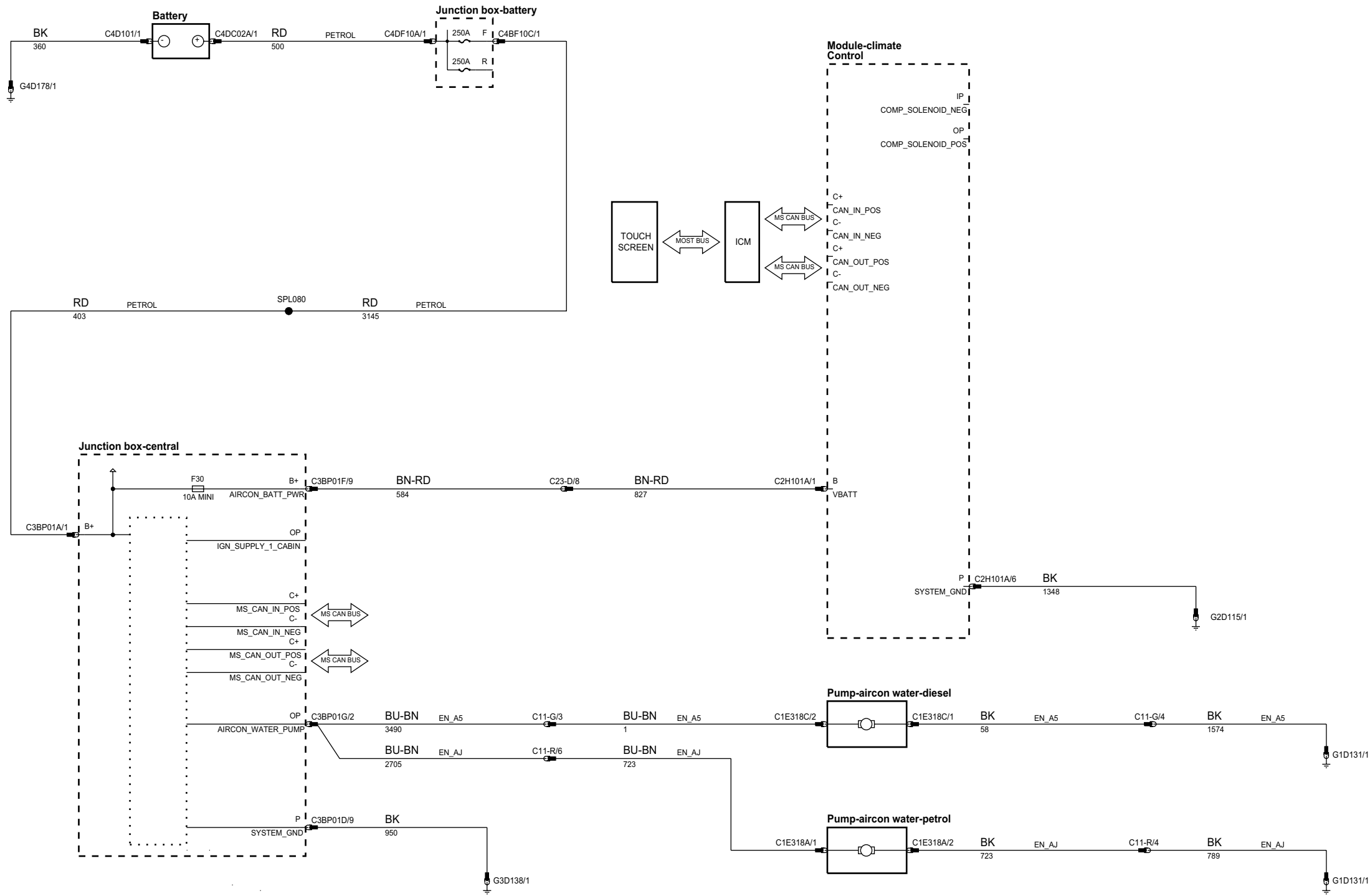
phar83-70295-a-ae



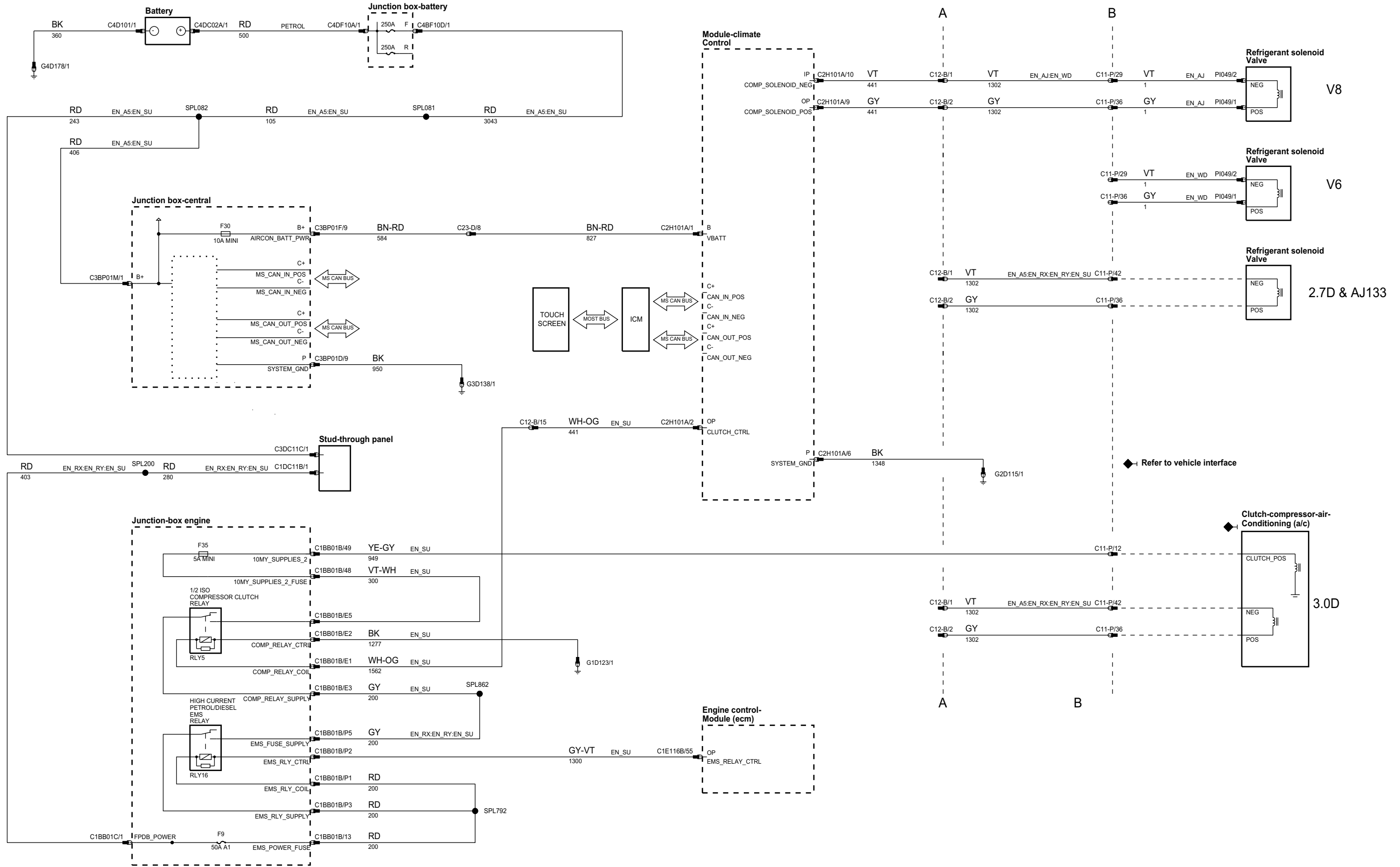
phar83-70295-b-ae



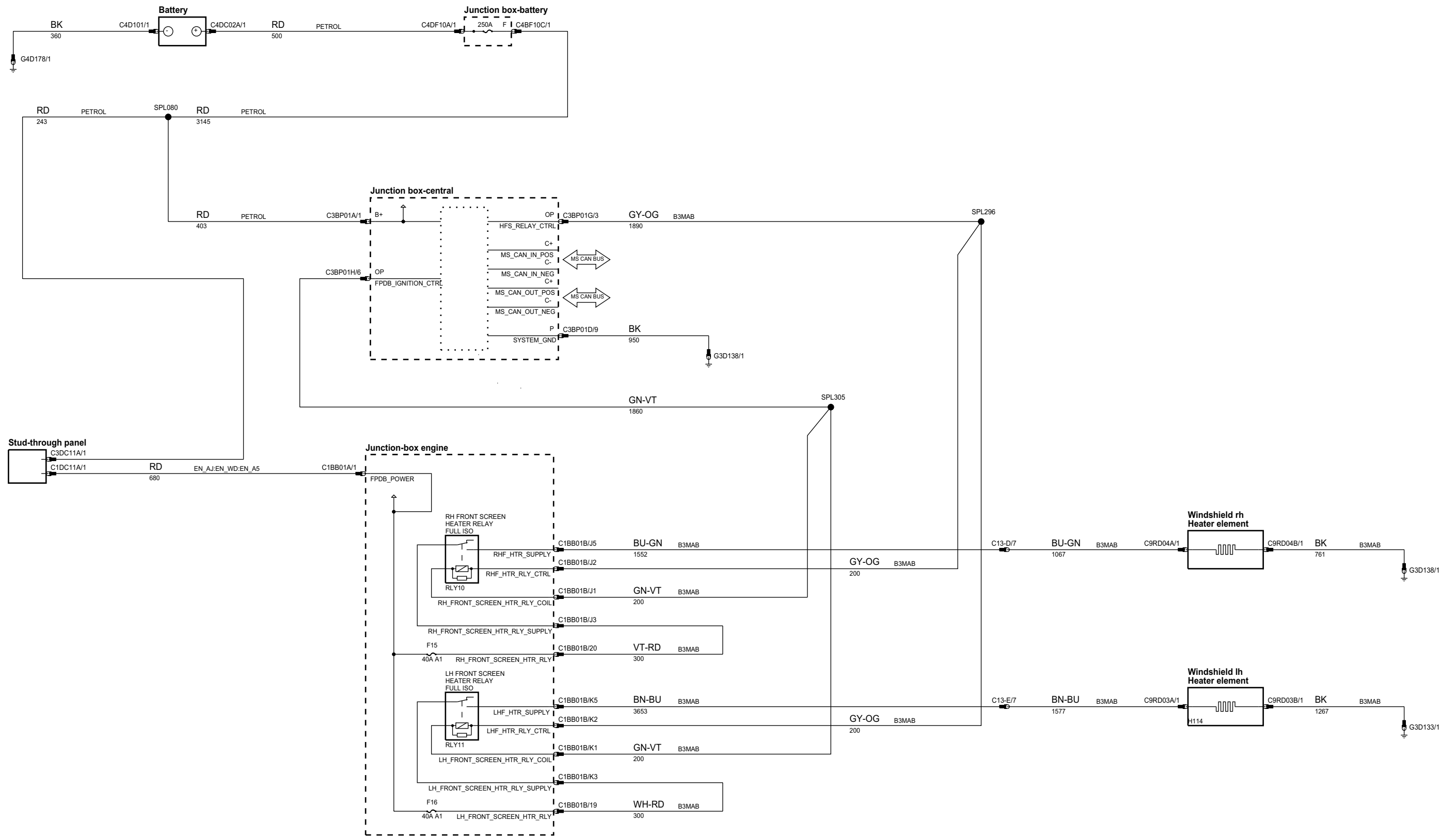
phar83-70295-c-ae



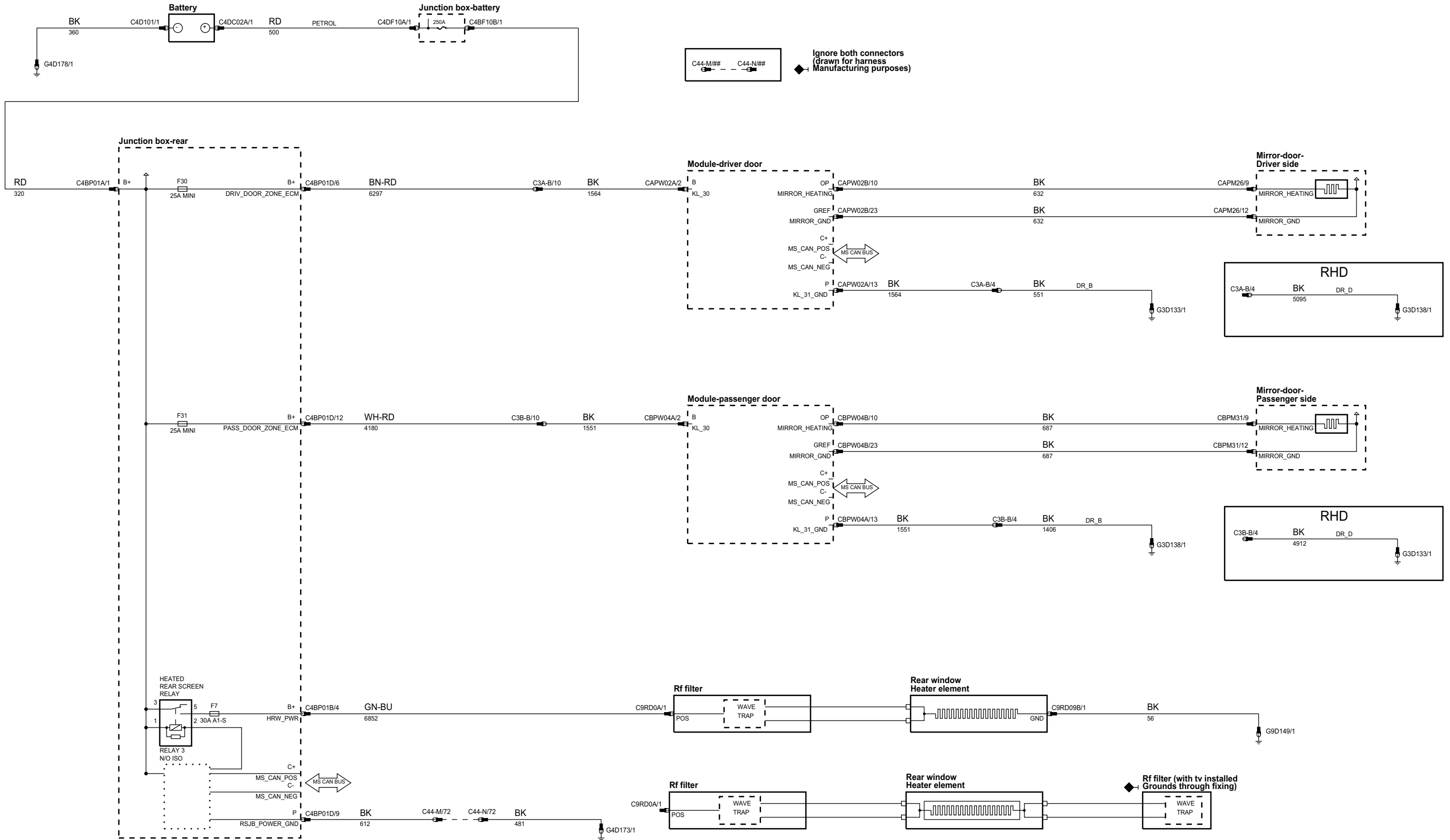
phar83-70295-4-ae



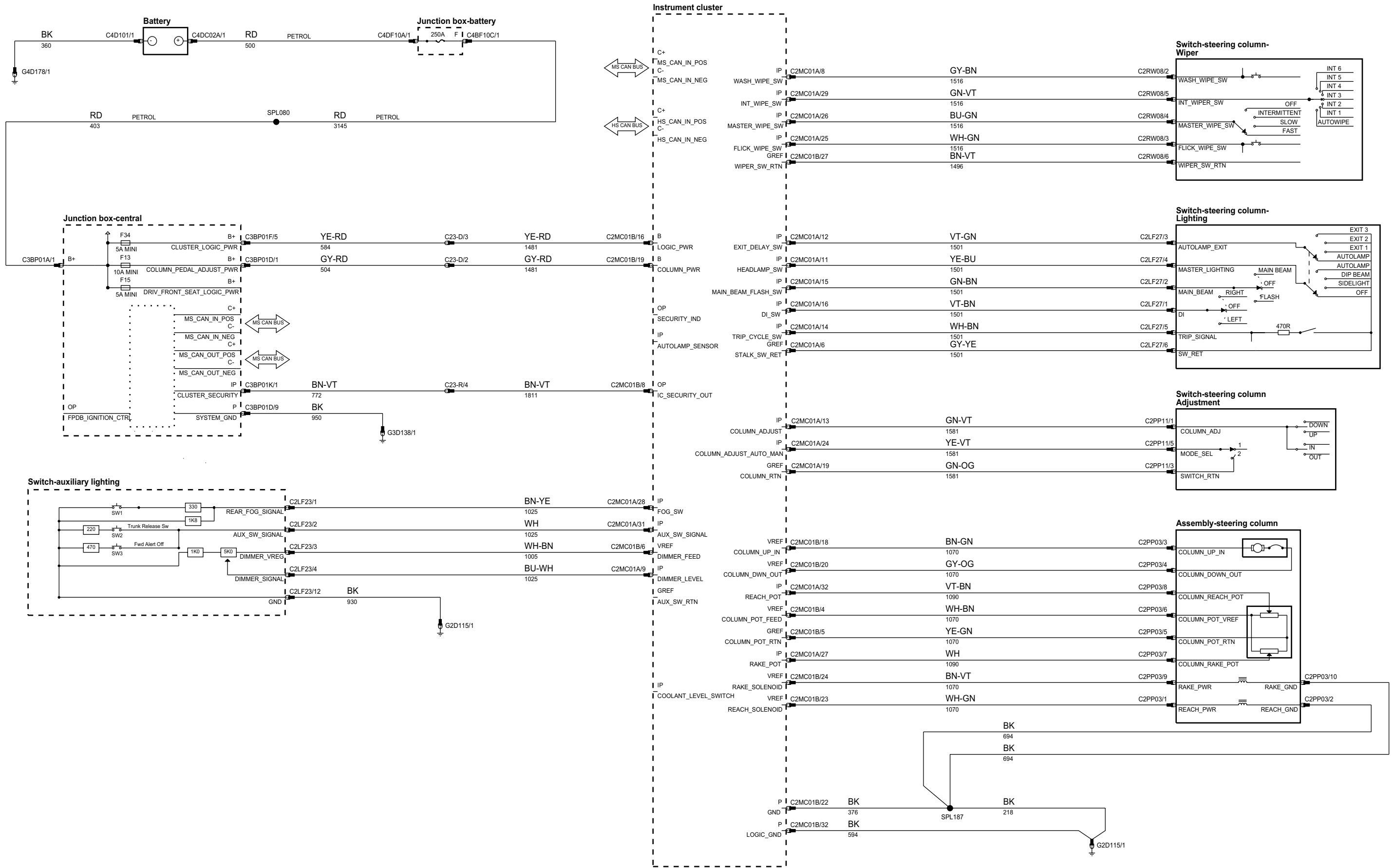
phar83-70131-a-ae



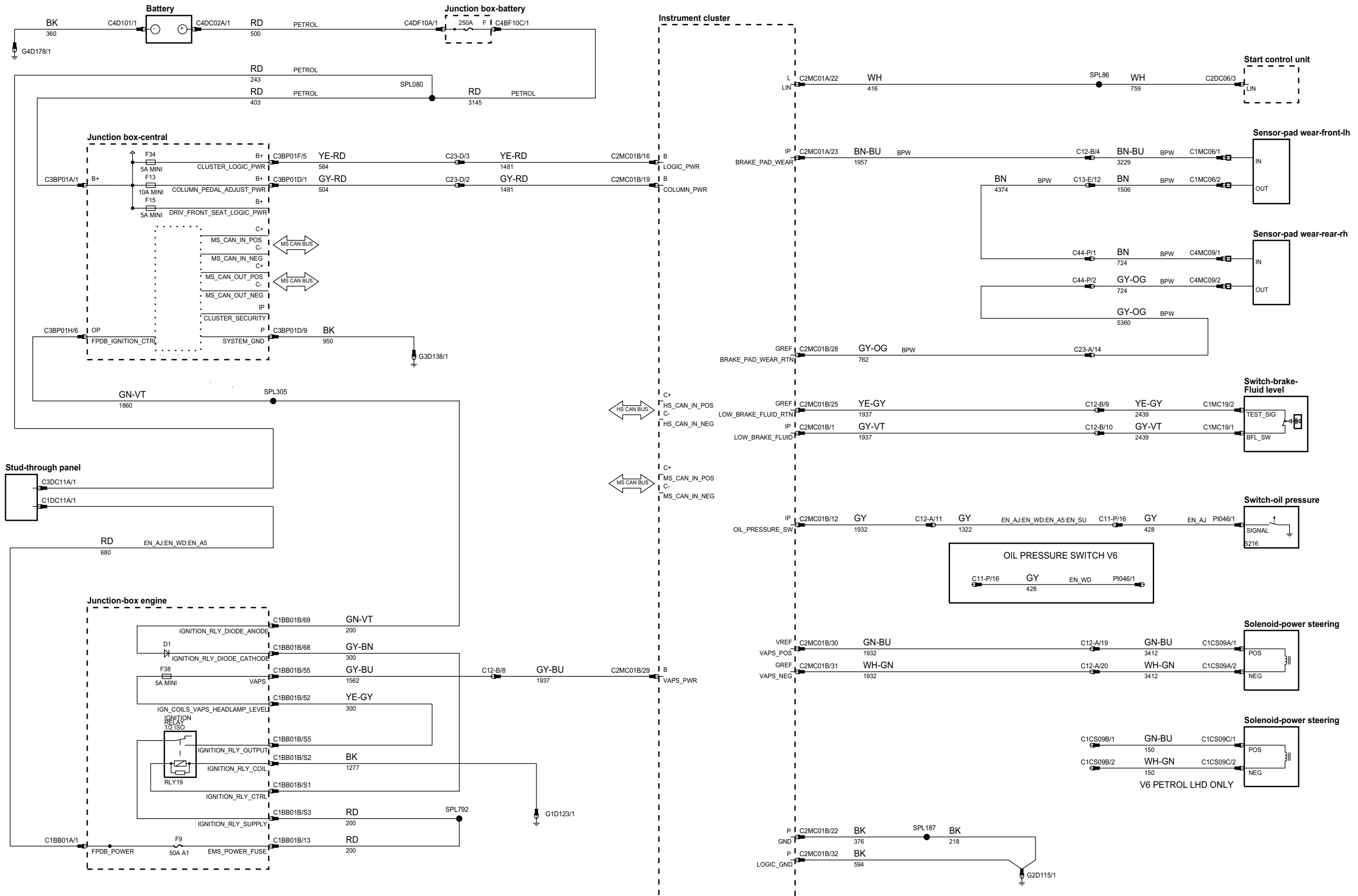
phar83-70132-a-ae



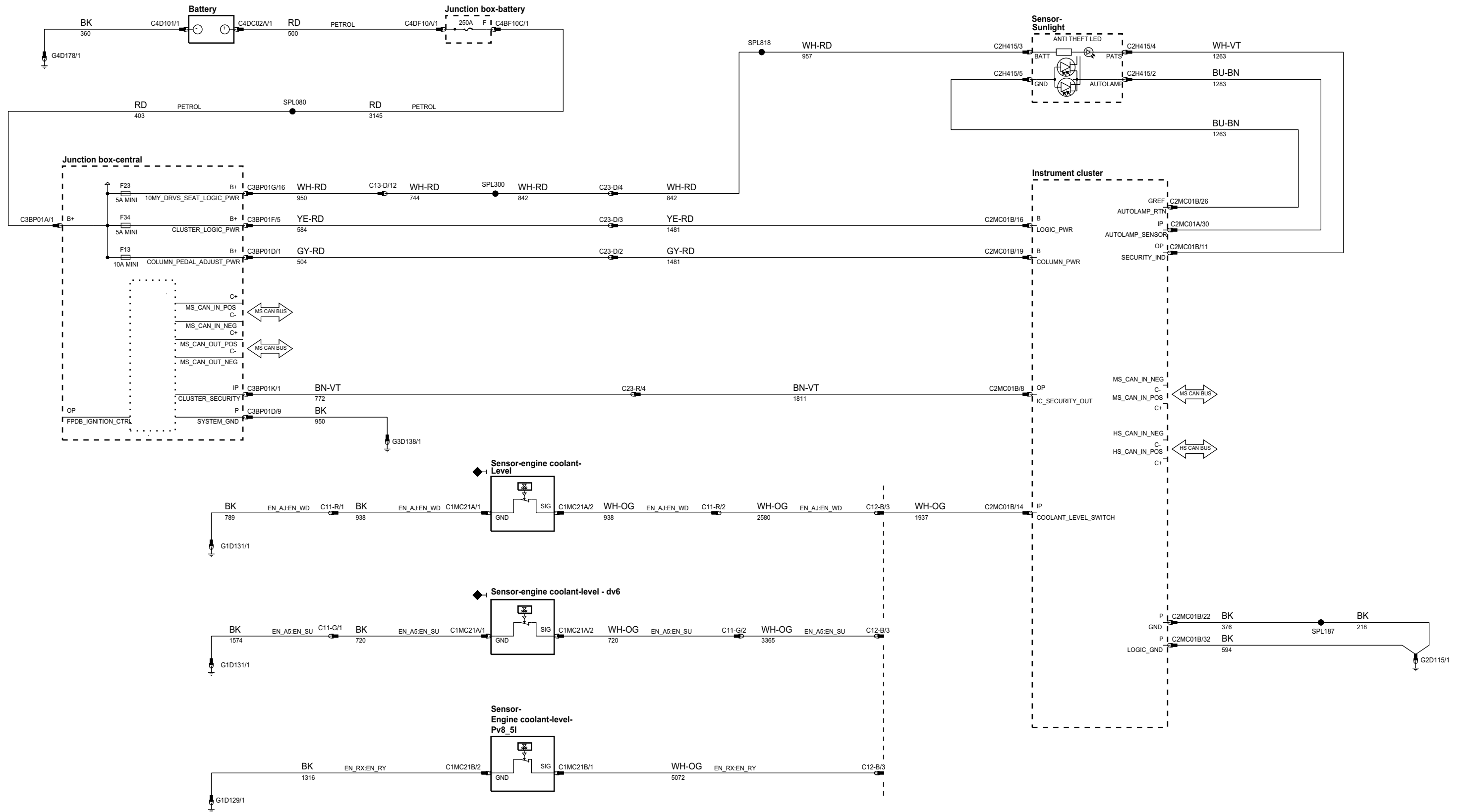
phar83-70210-a-ae



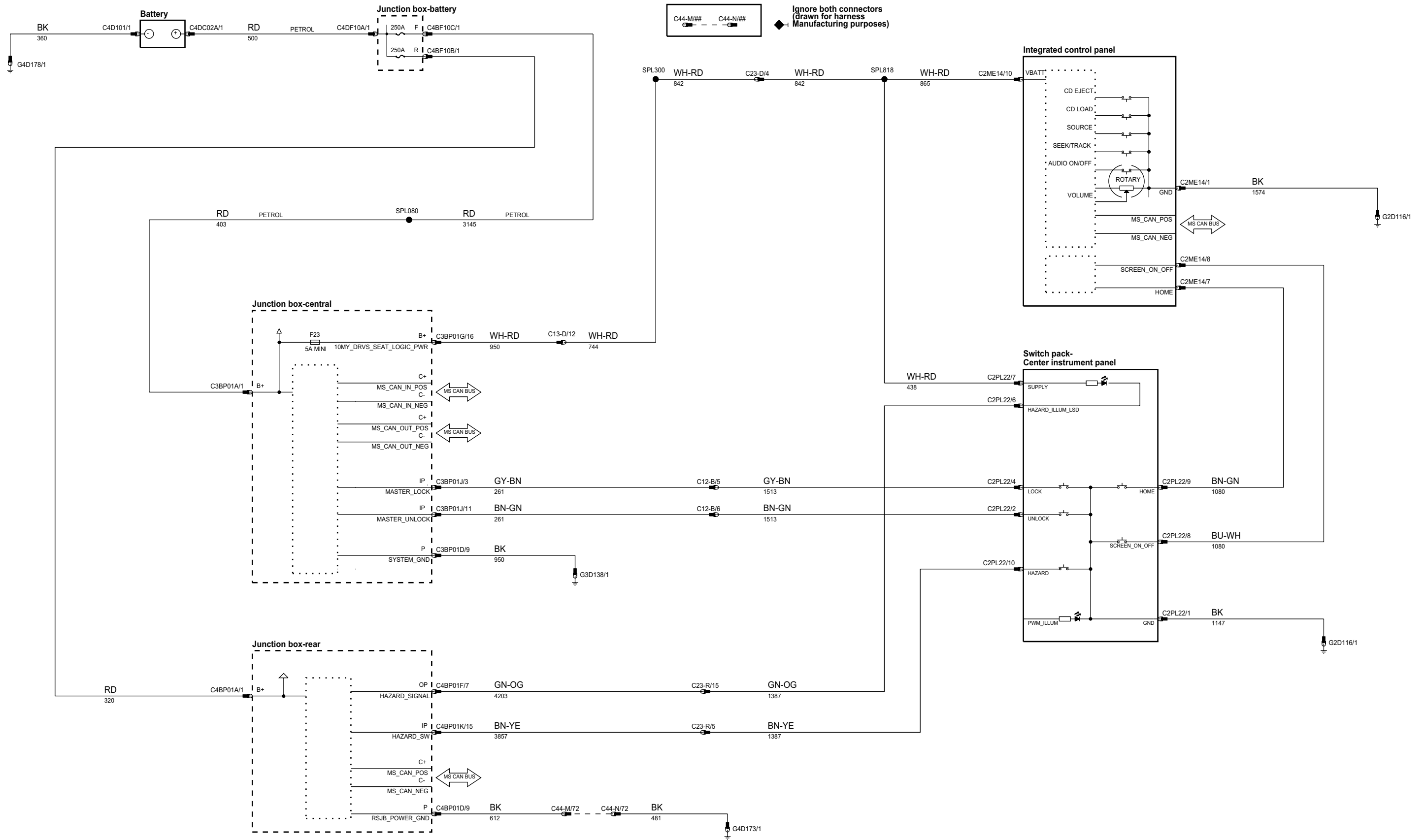
phar83-70210-b-ae



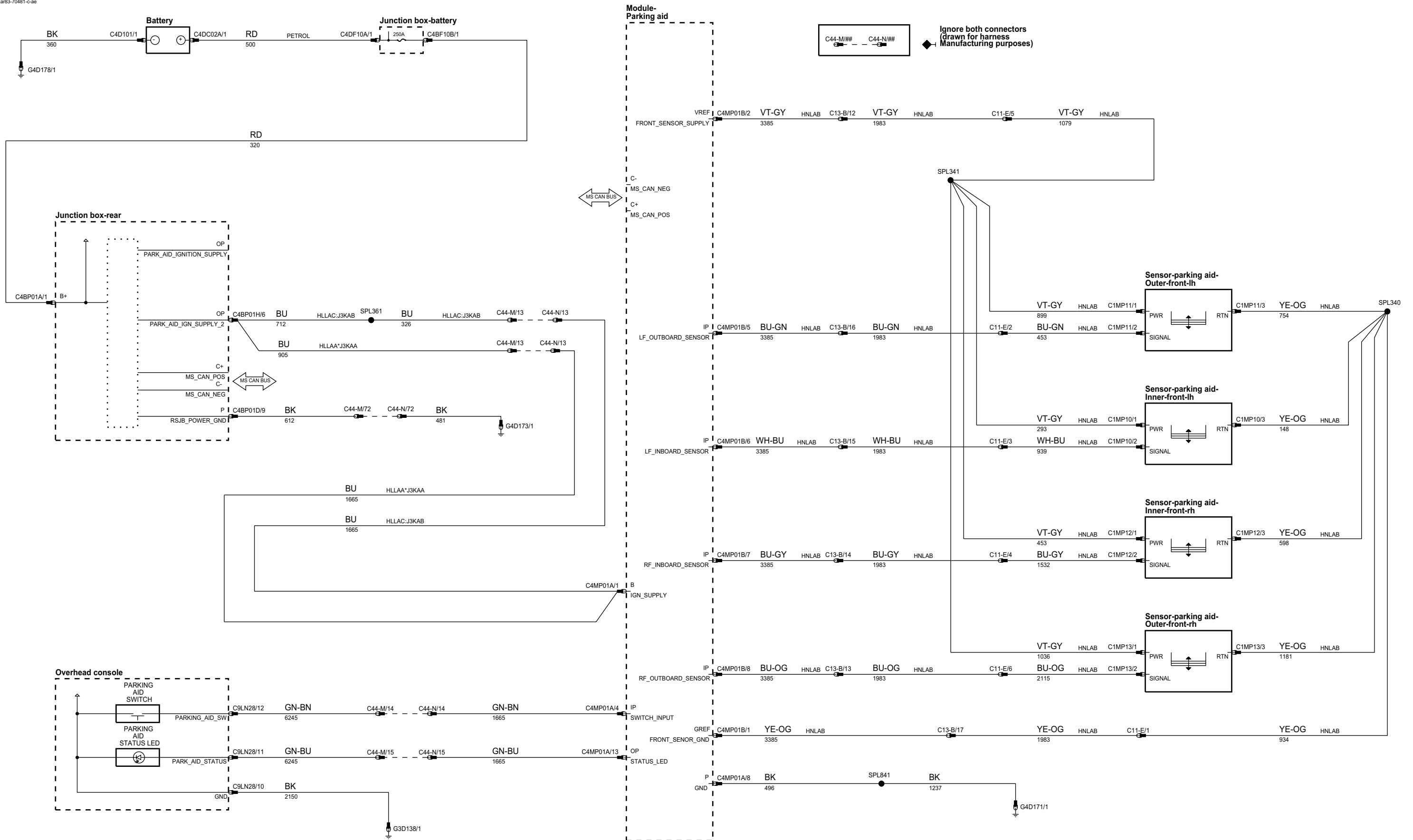
phar83-70210-c-ae



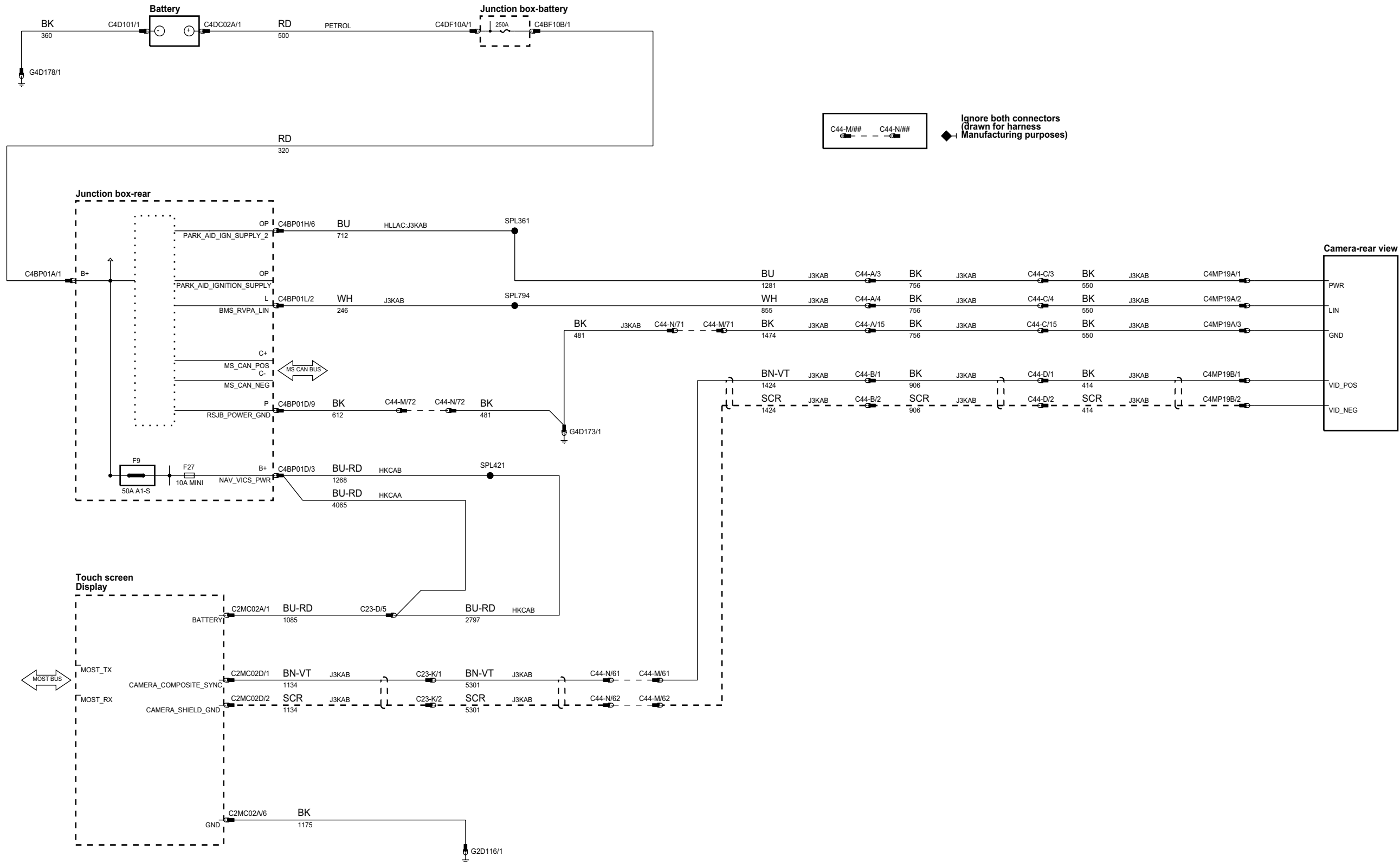
phar83-70210-4-ae



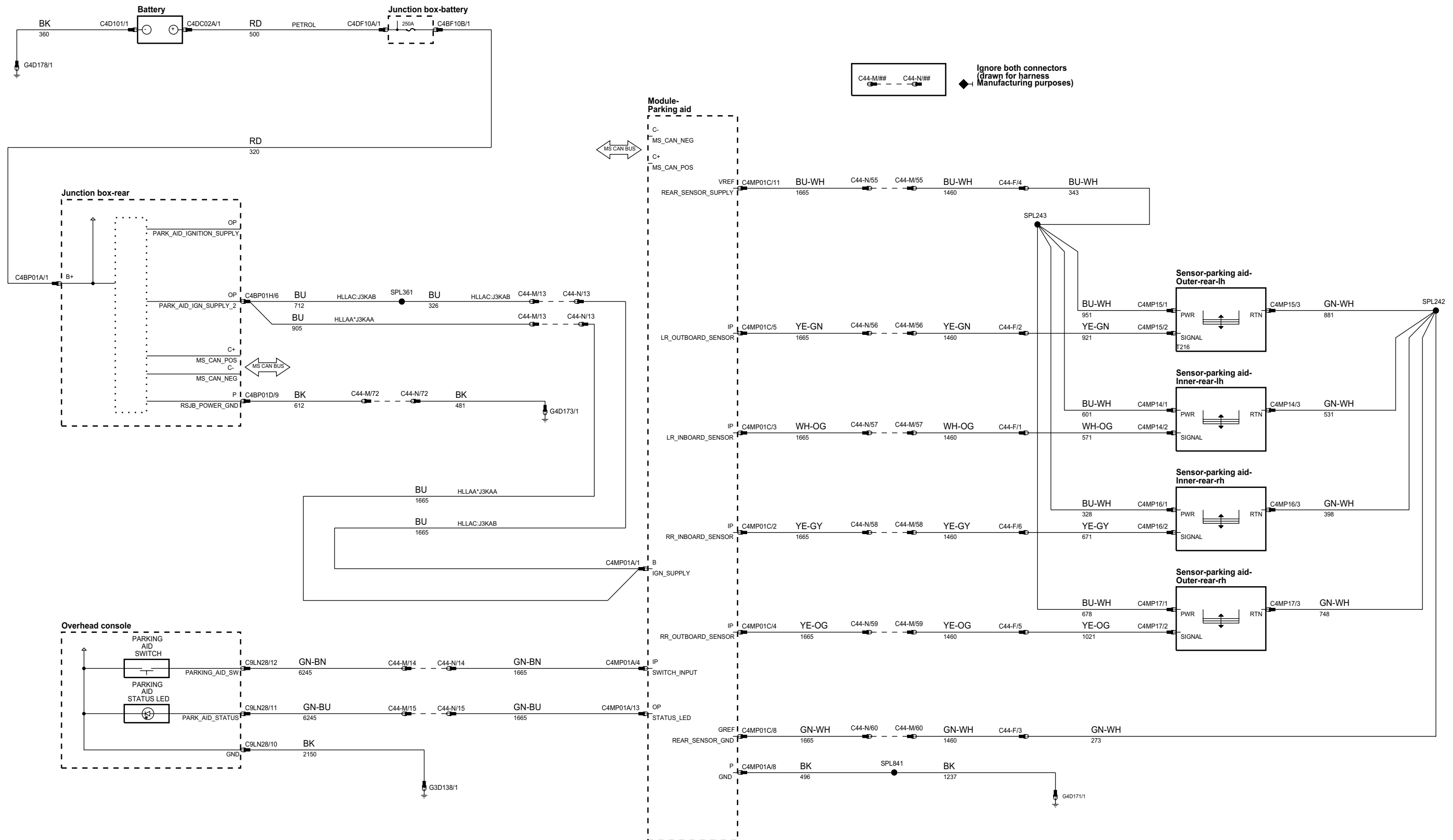
phar83-70481-c-ae



phar83-70481-b-ae

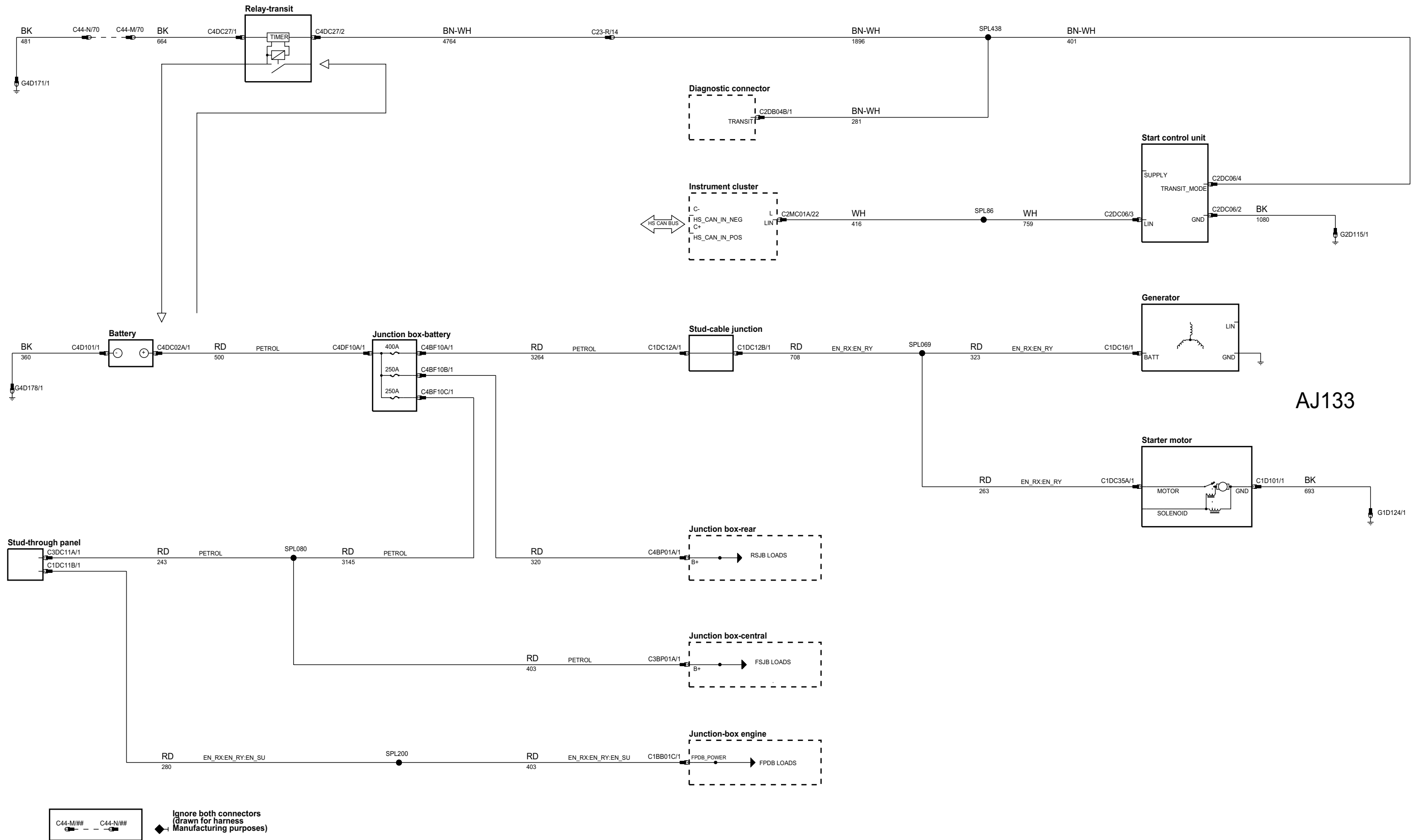


phar83-70481-a-ae



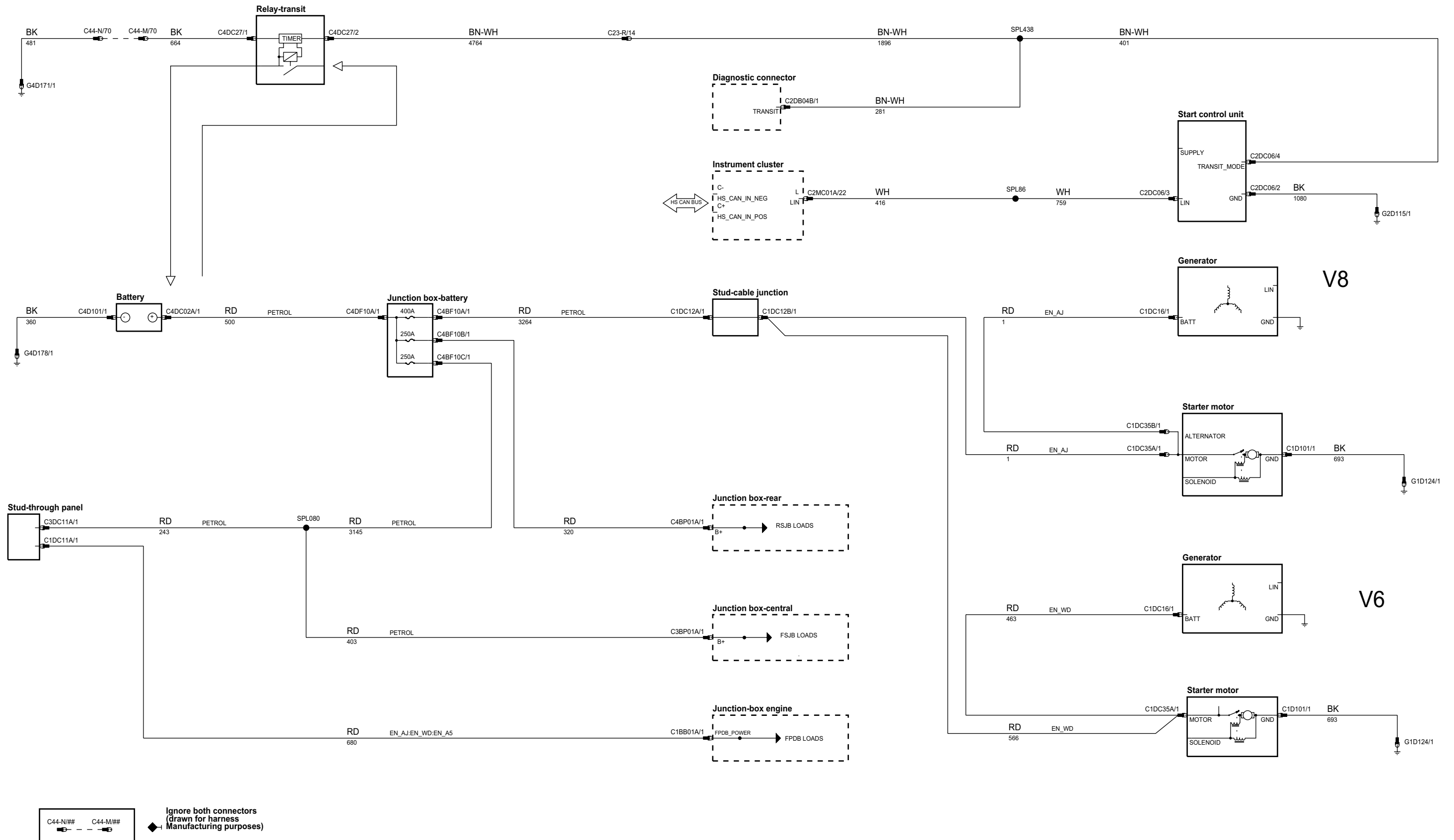
Ignore both connectors (drawn for harness manufacturing purposes)

phar83-70010-b-ae

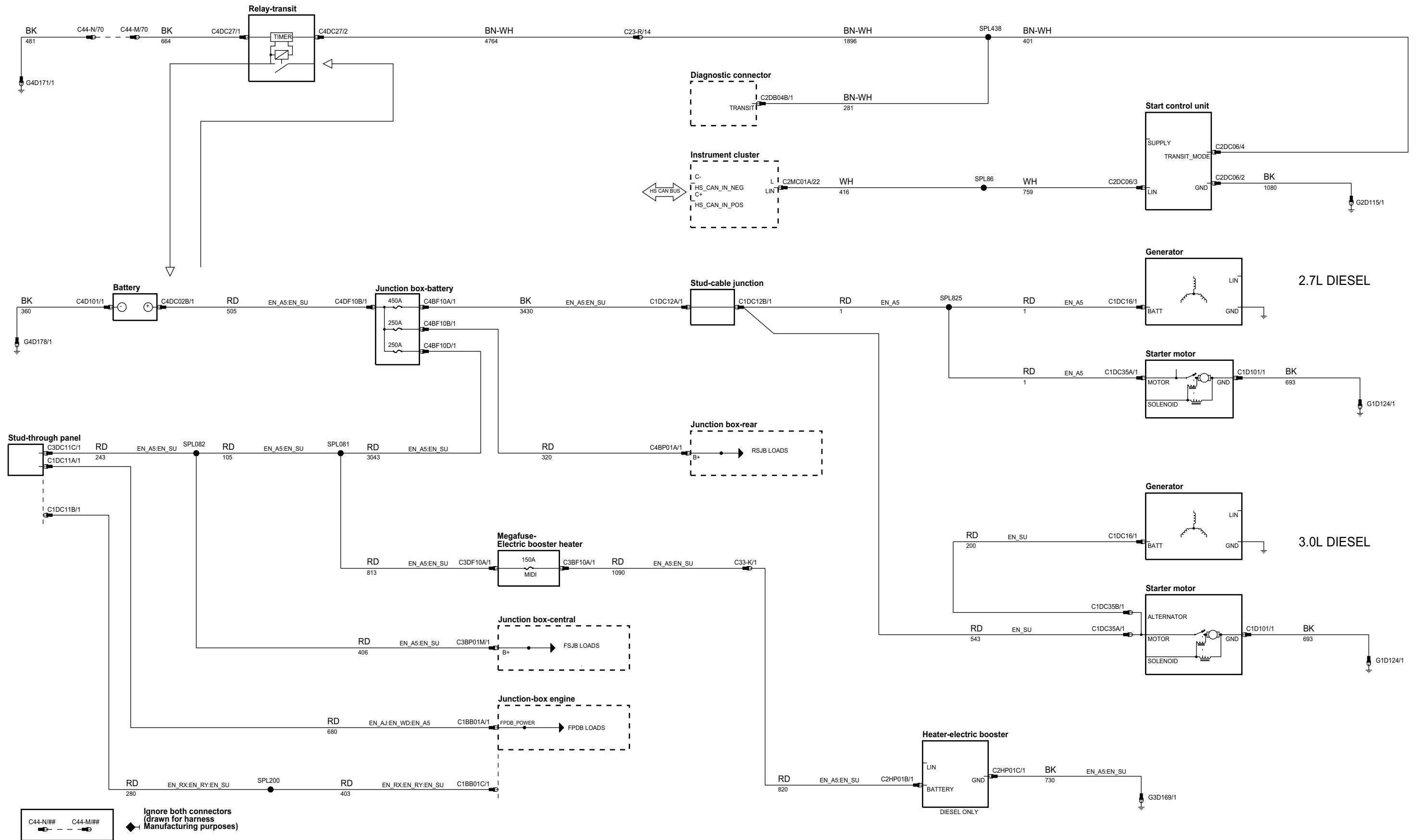


AJ133

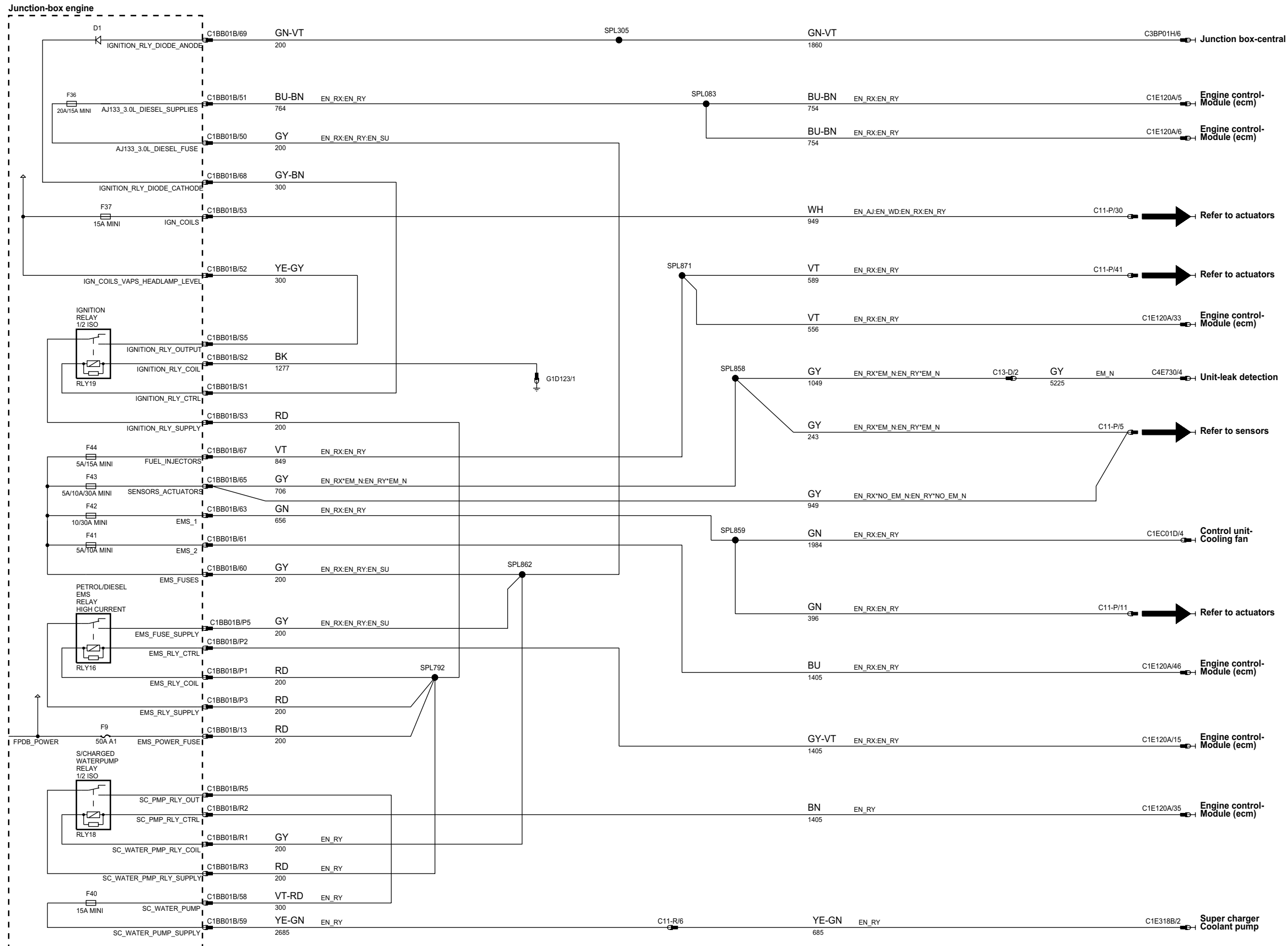
phar83-70010-a-ae



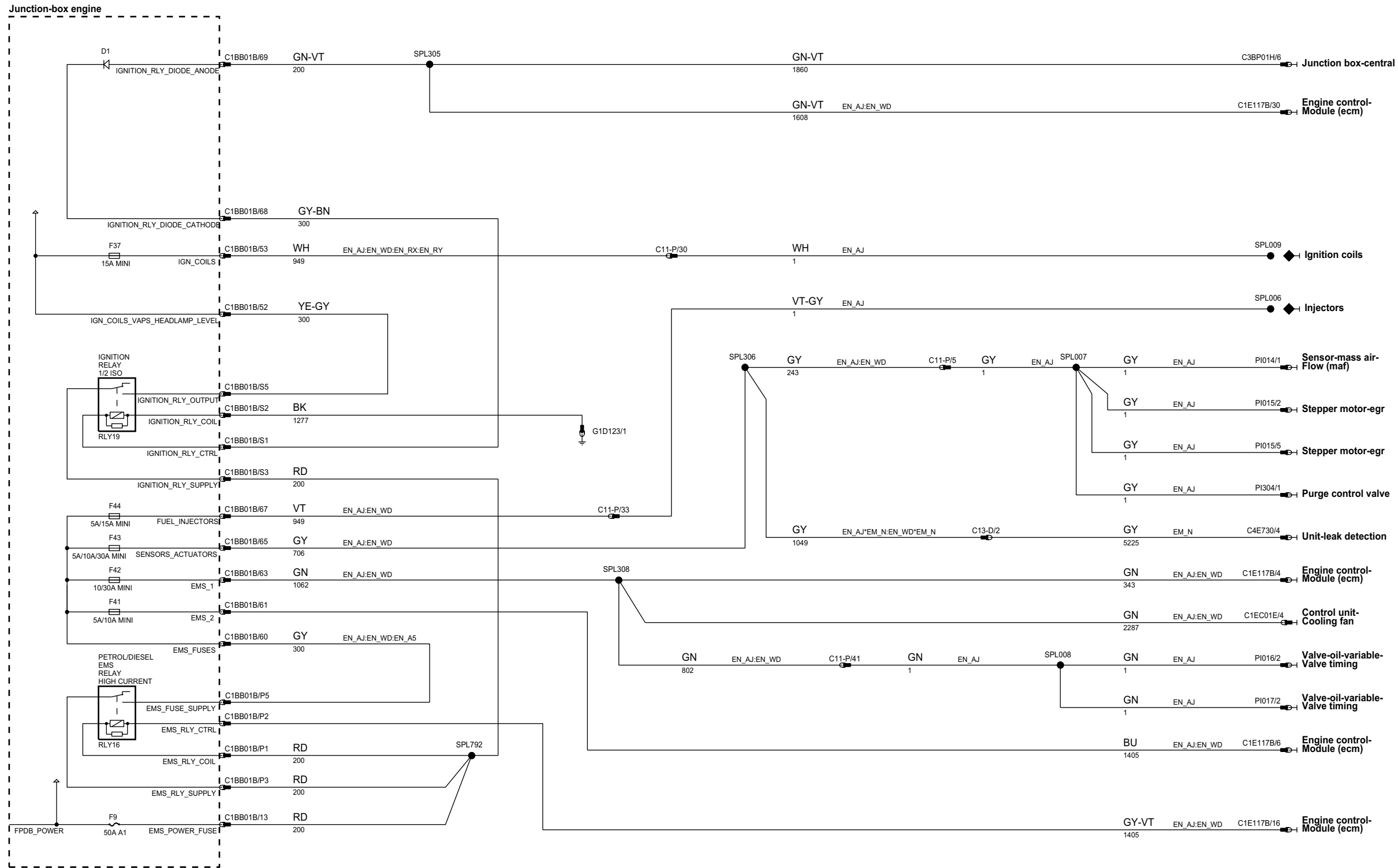
phar83-70010-c-ae



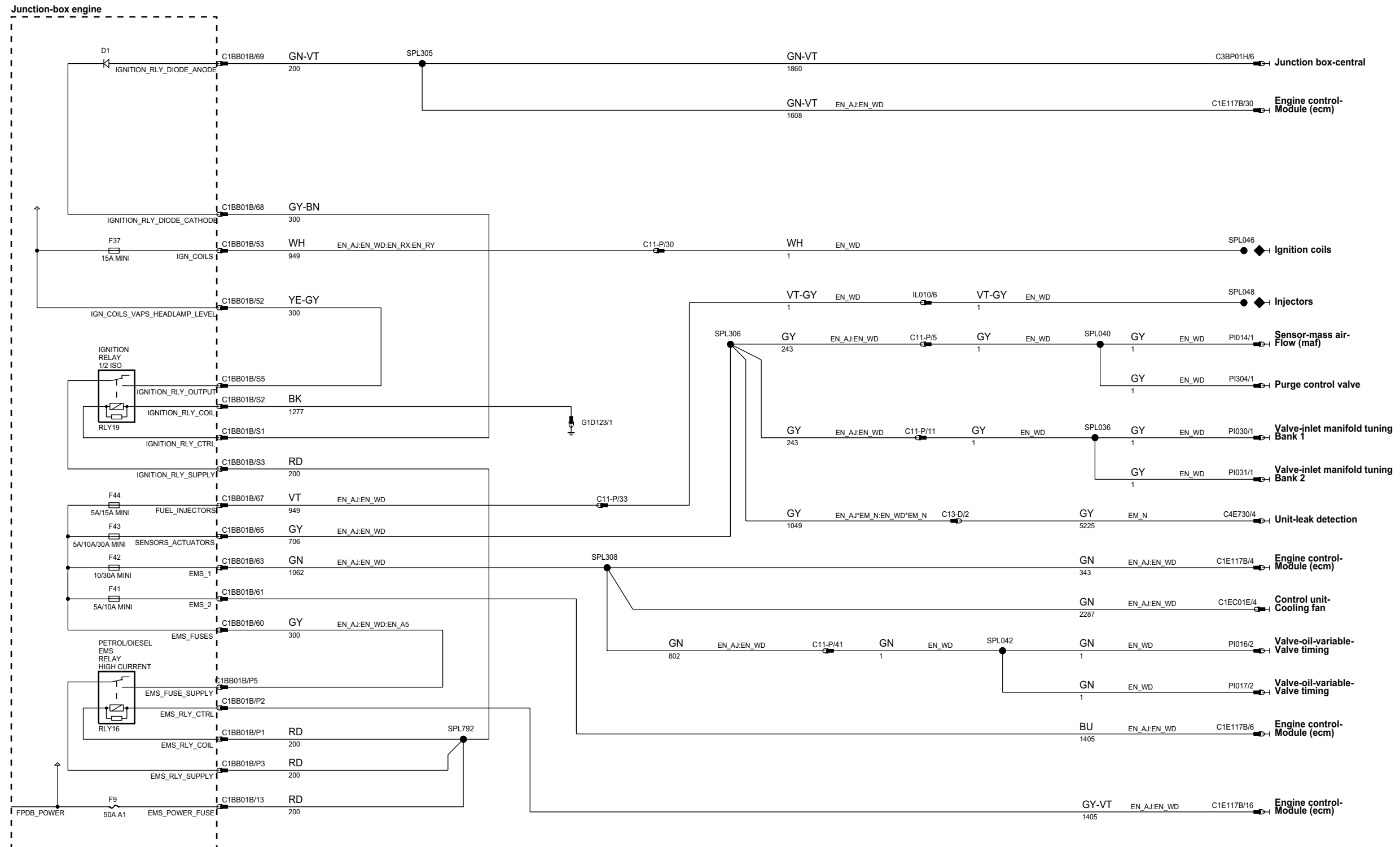
phar83-70010-e-ae



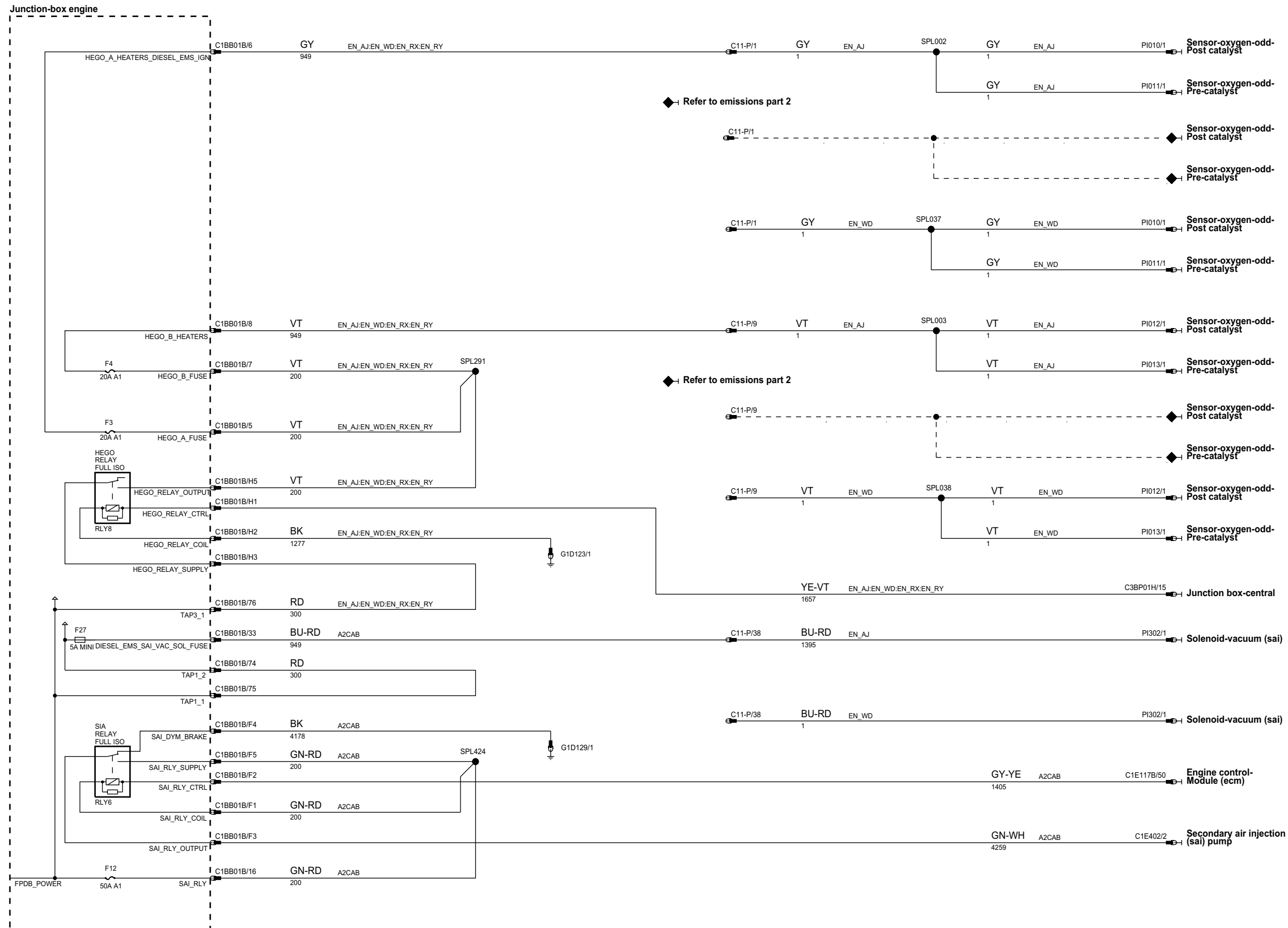
phar83-70010-4-ae



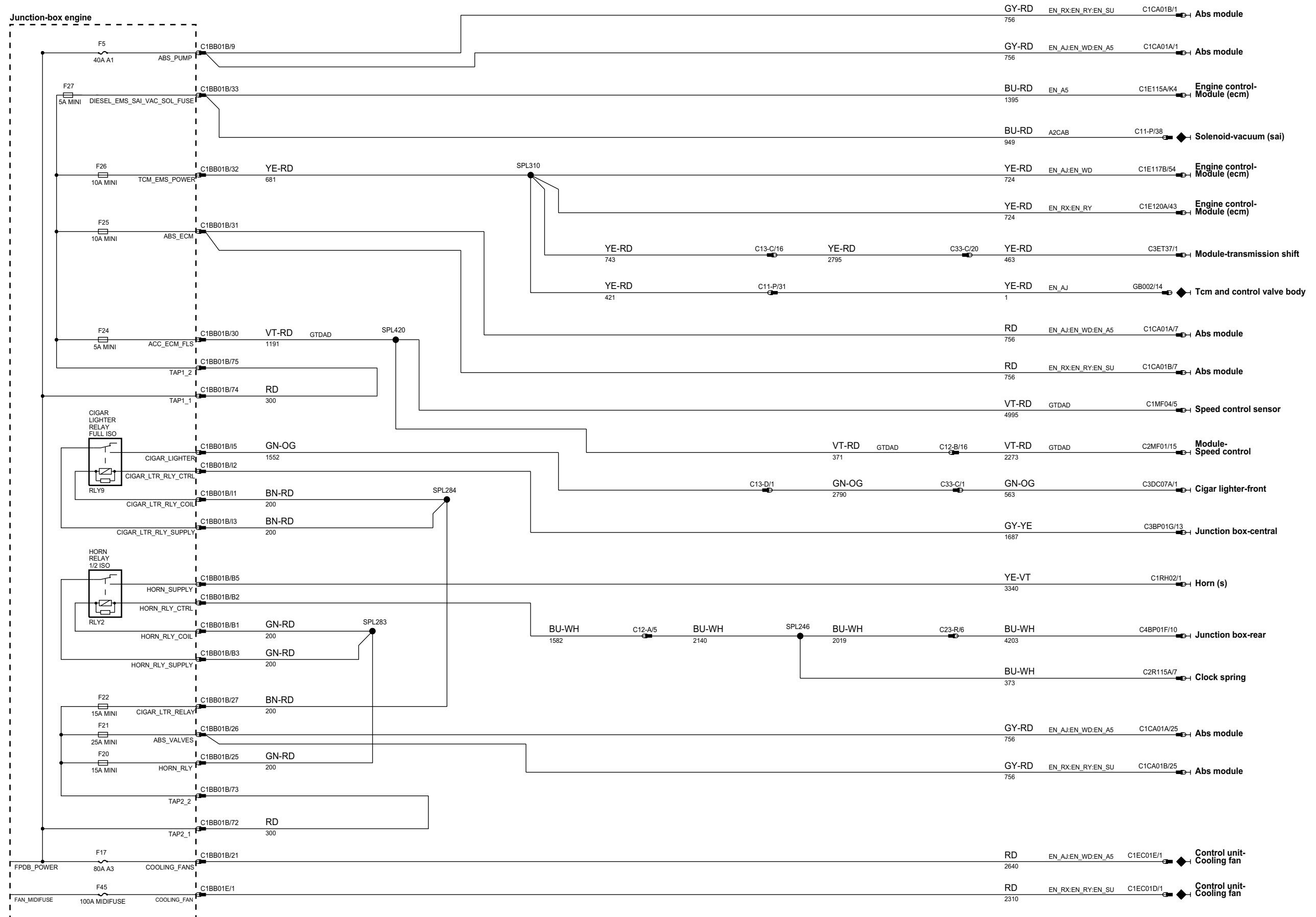
phar83-70010-f-ae



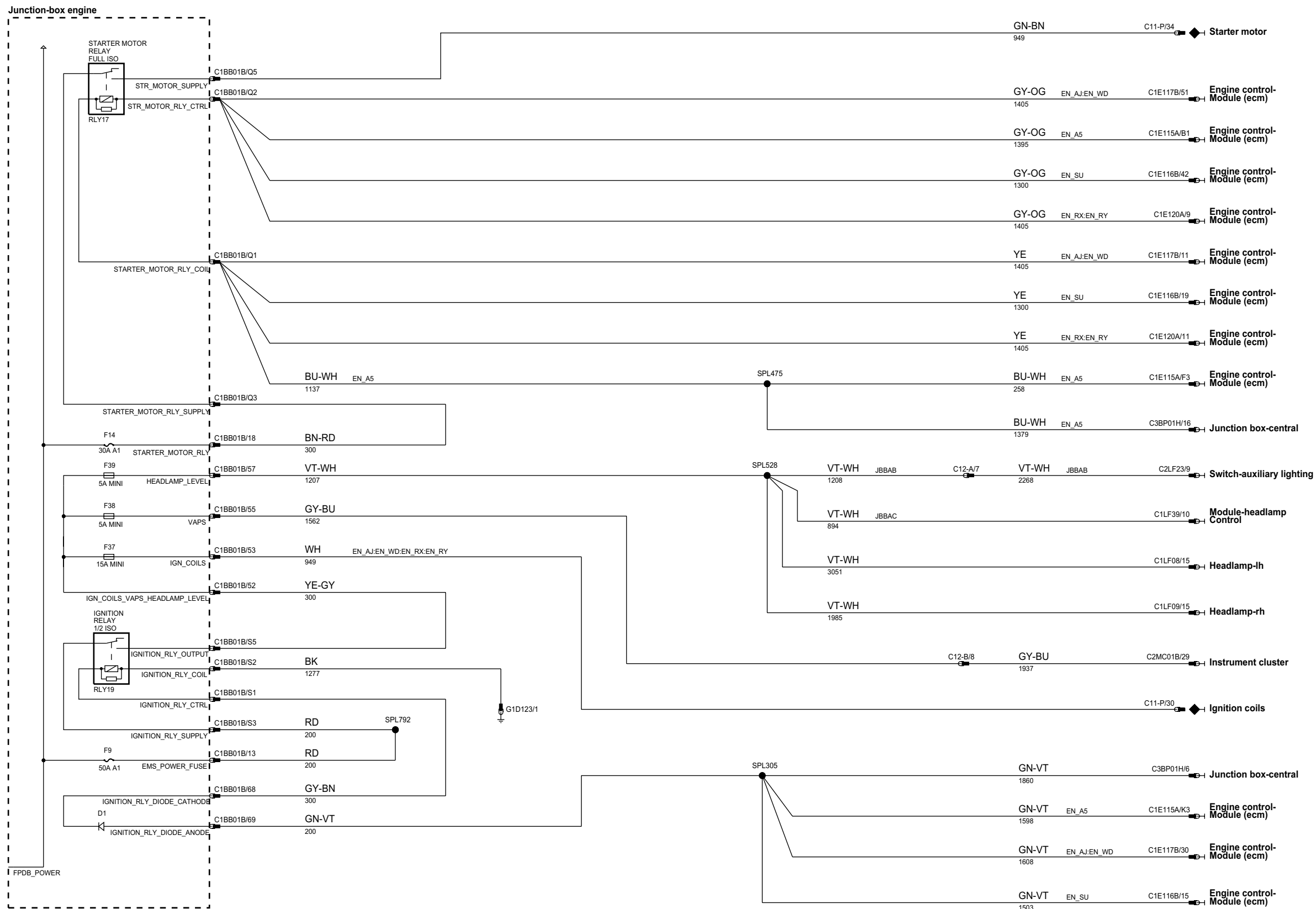
phar83-70010-g-ae



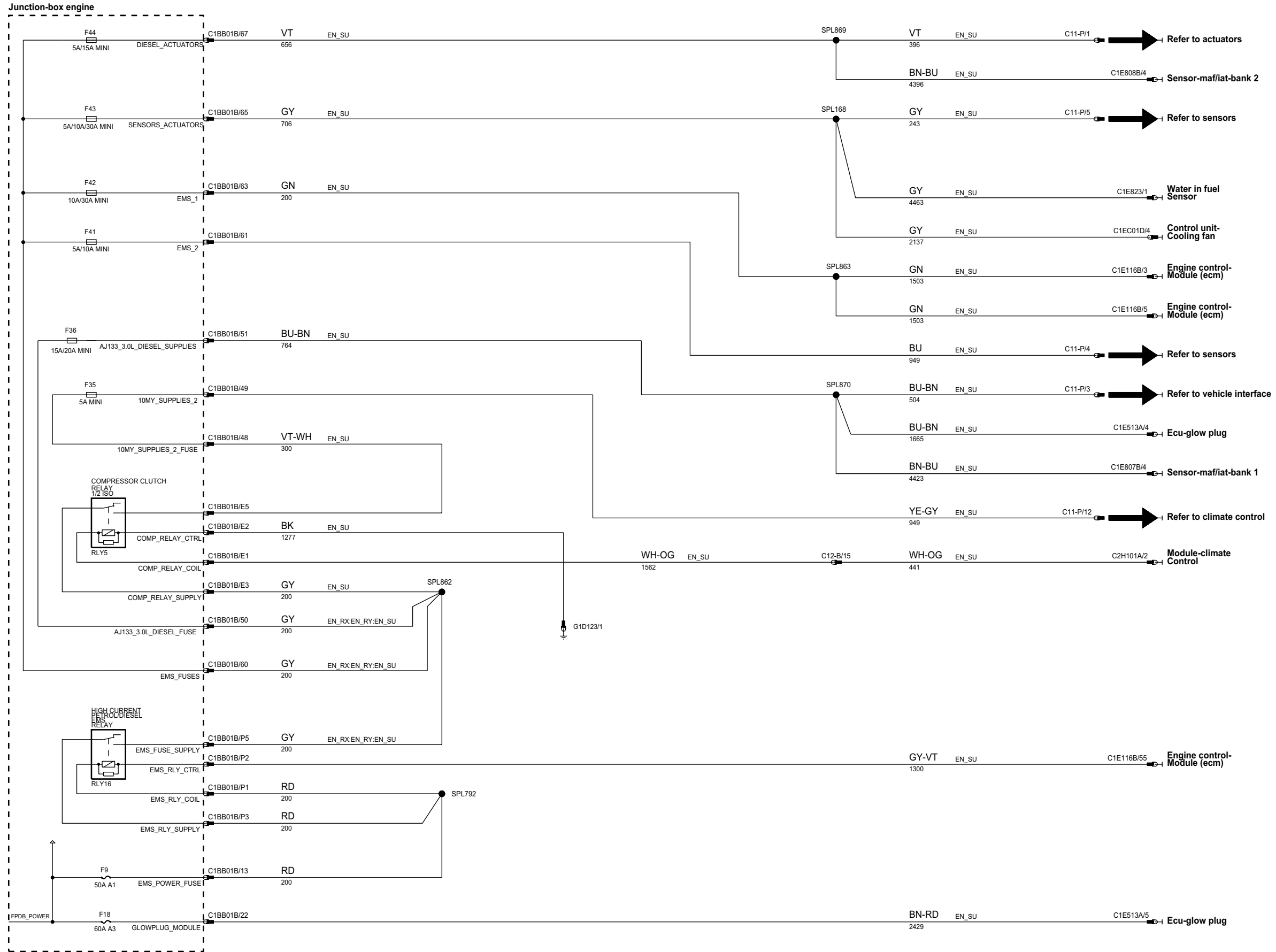
phar83-70010-k-ae



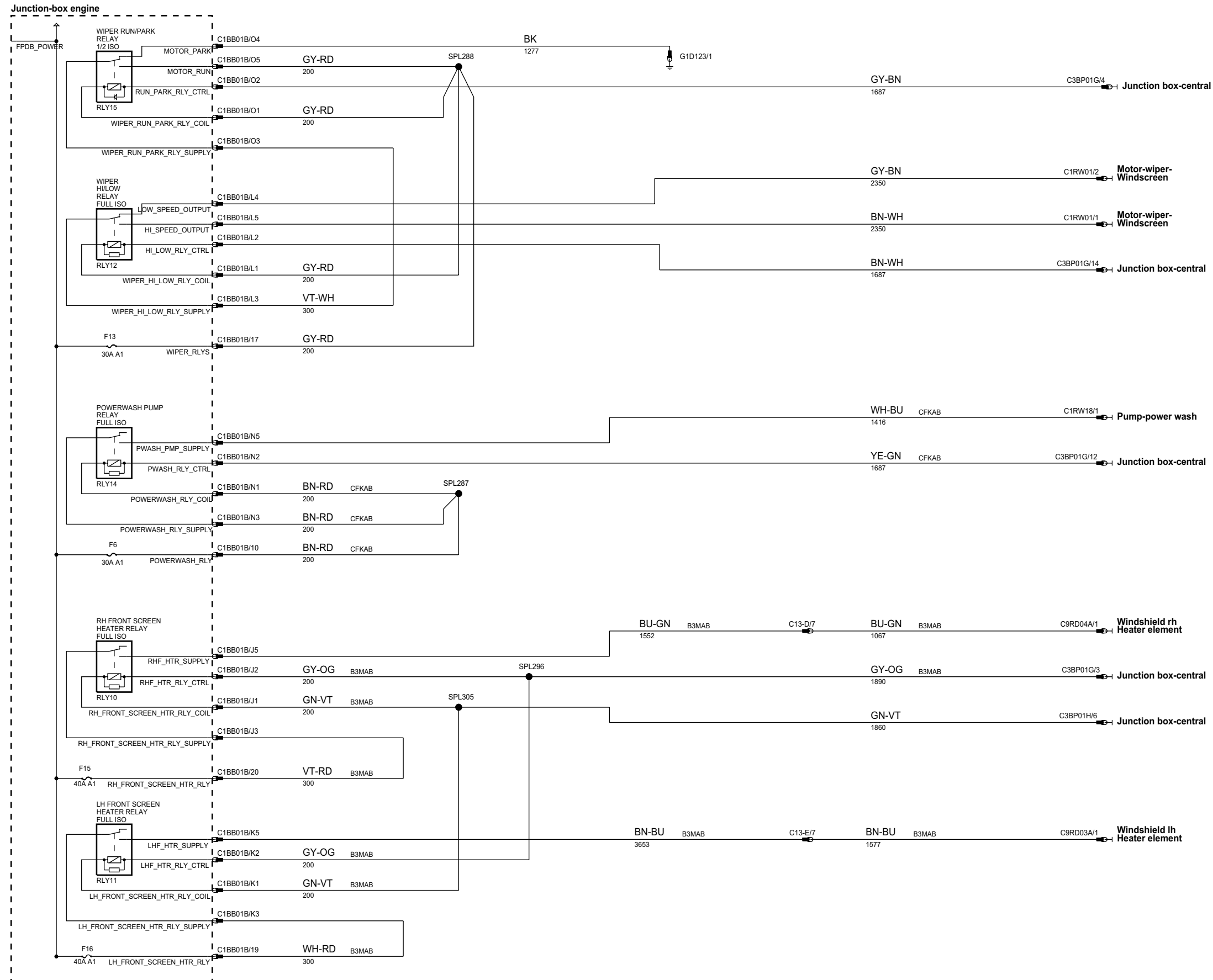
phar83-70010+ae



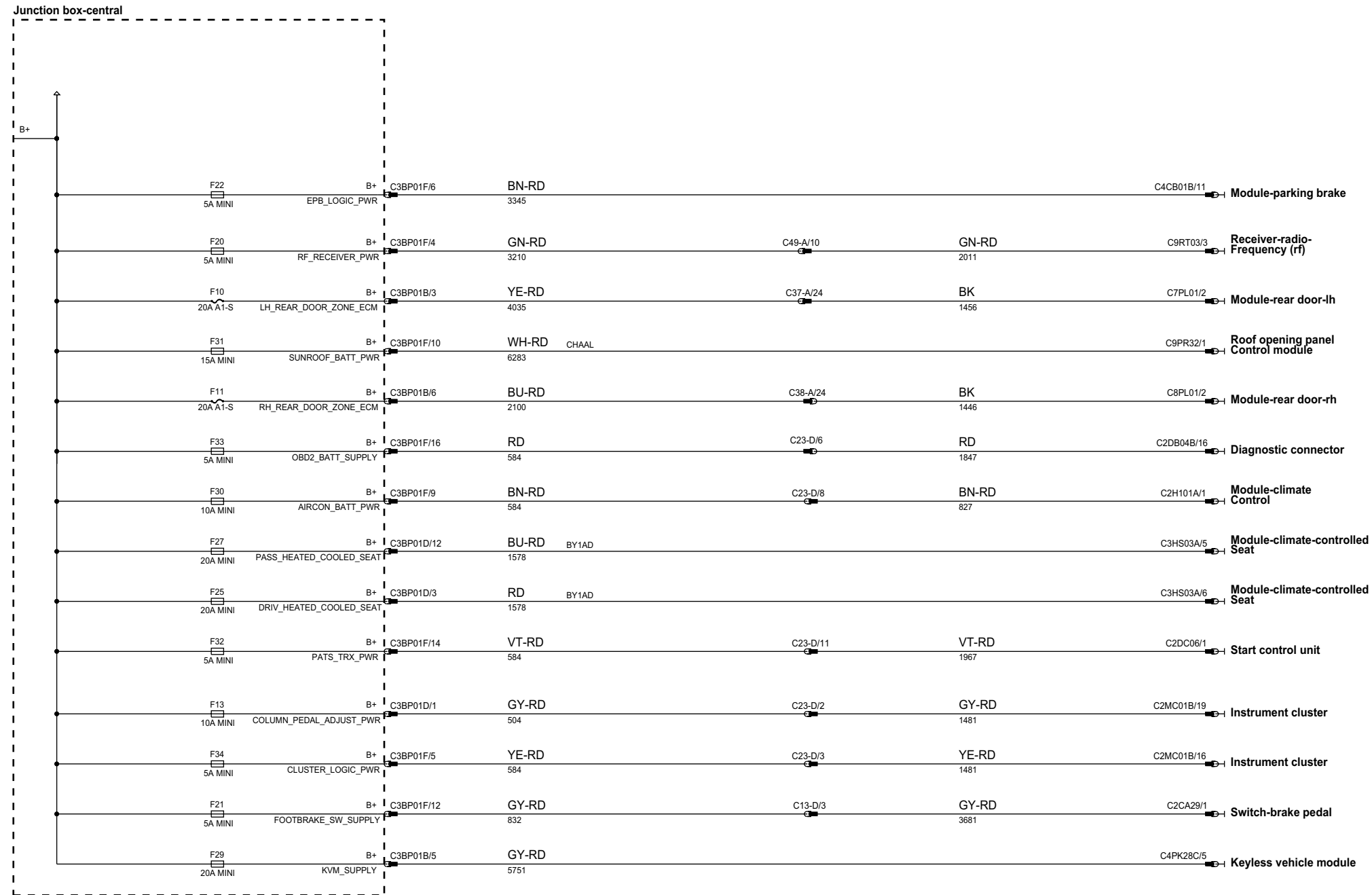
phar83-70010-j-ae



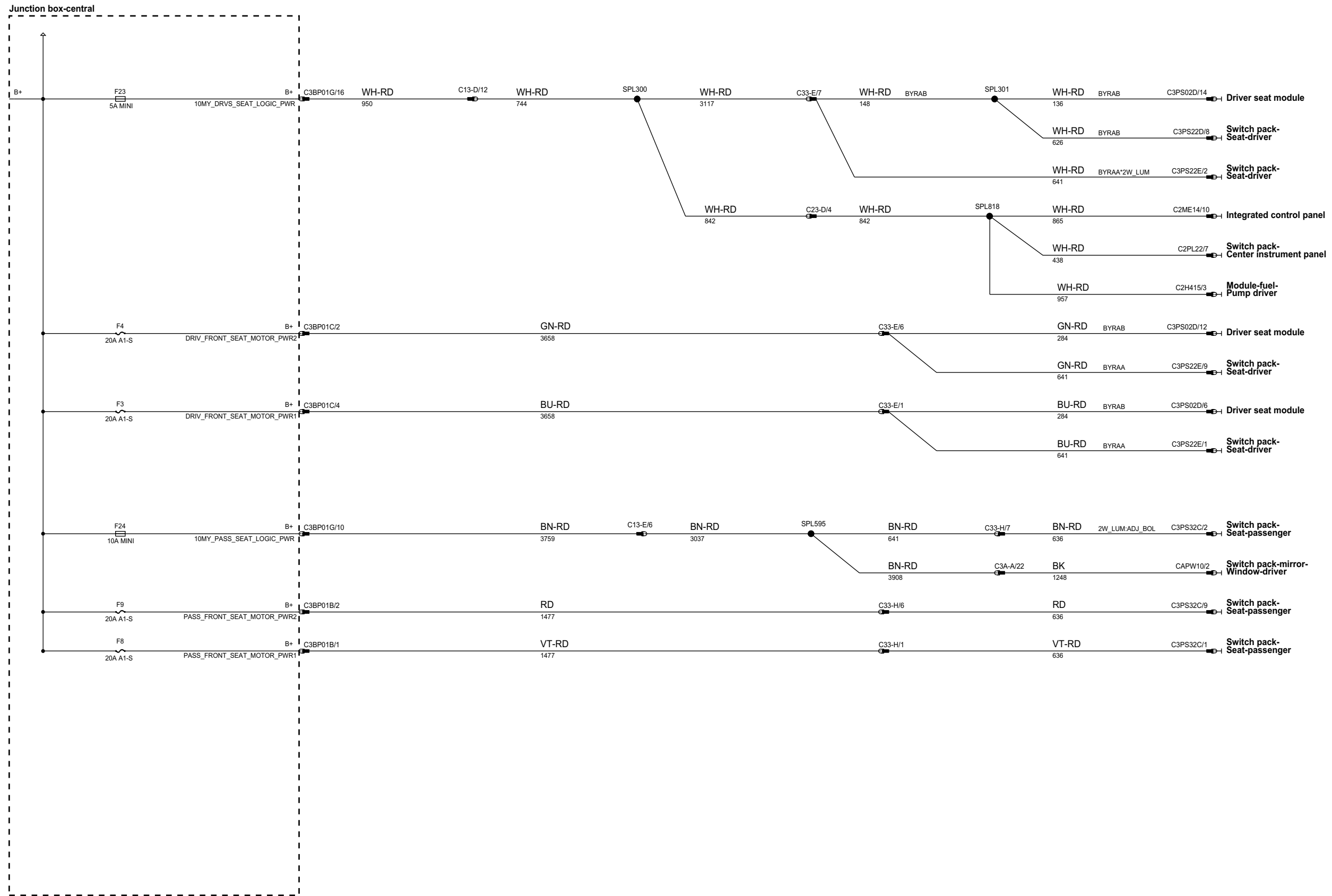
phar83-70010-m-ae



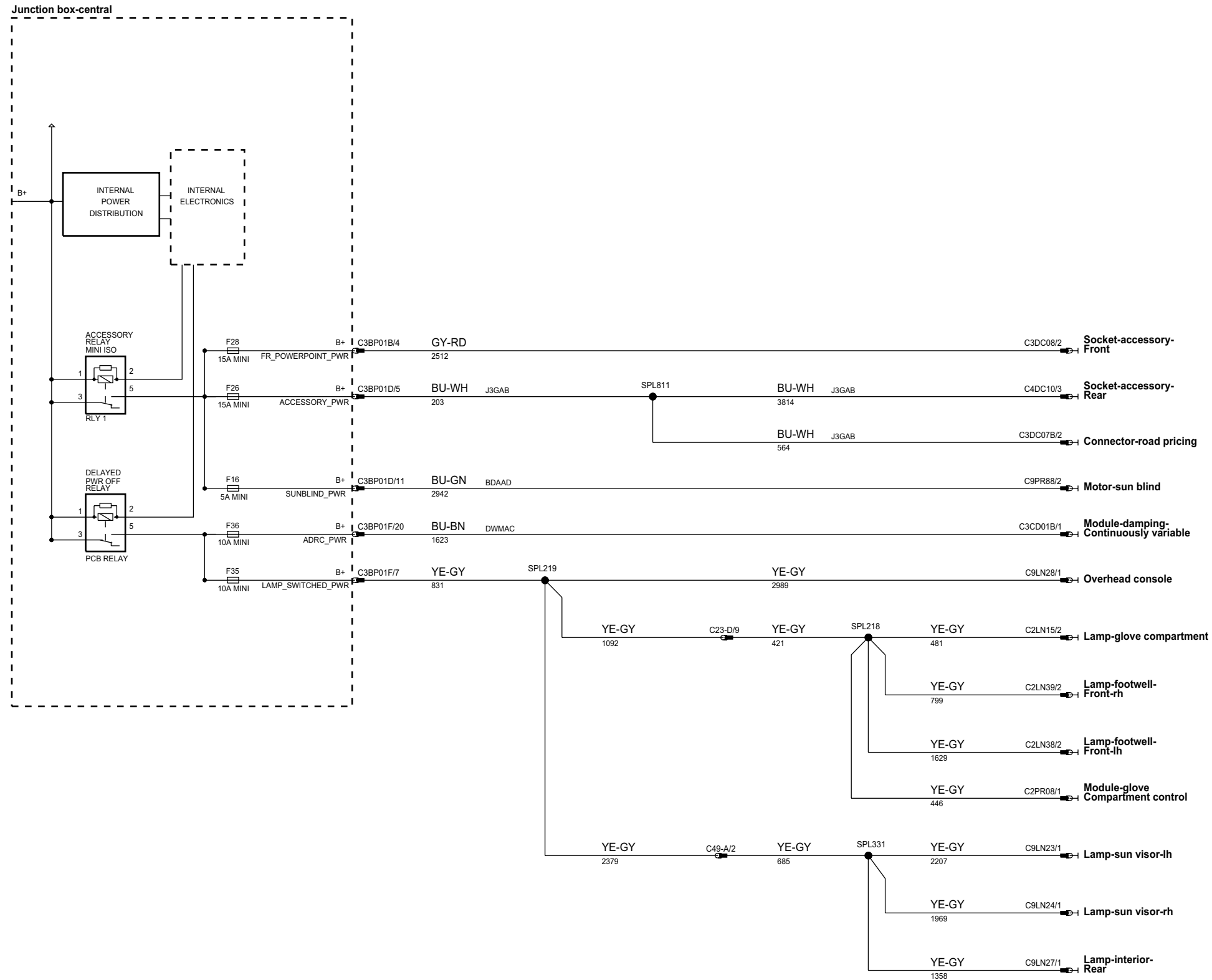
phar83-70010-w-ae



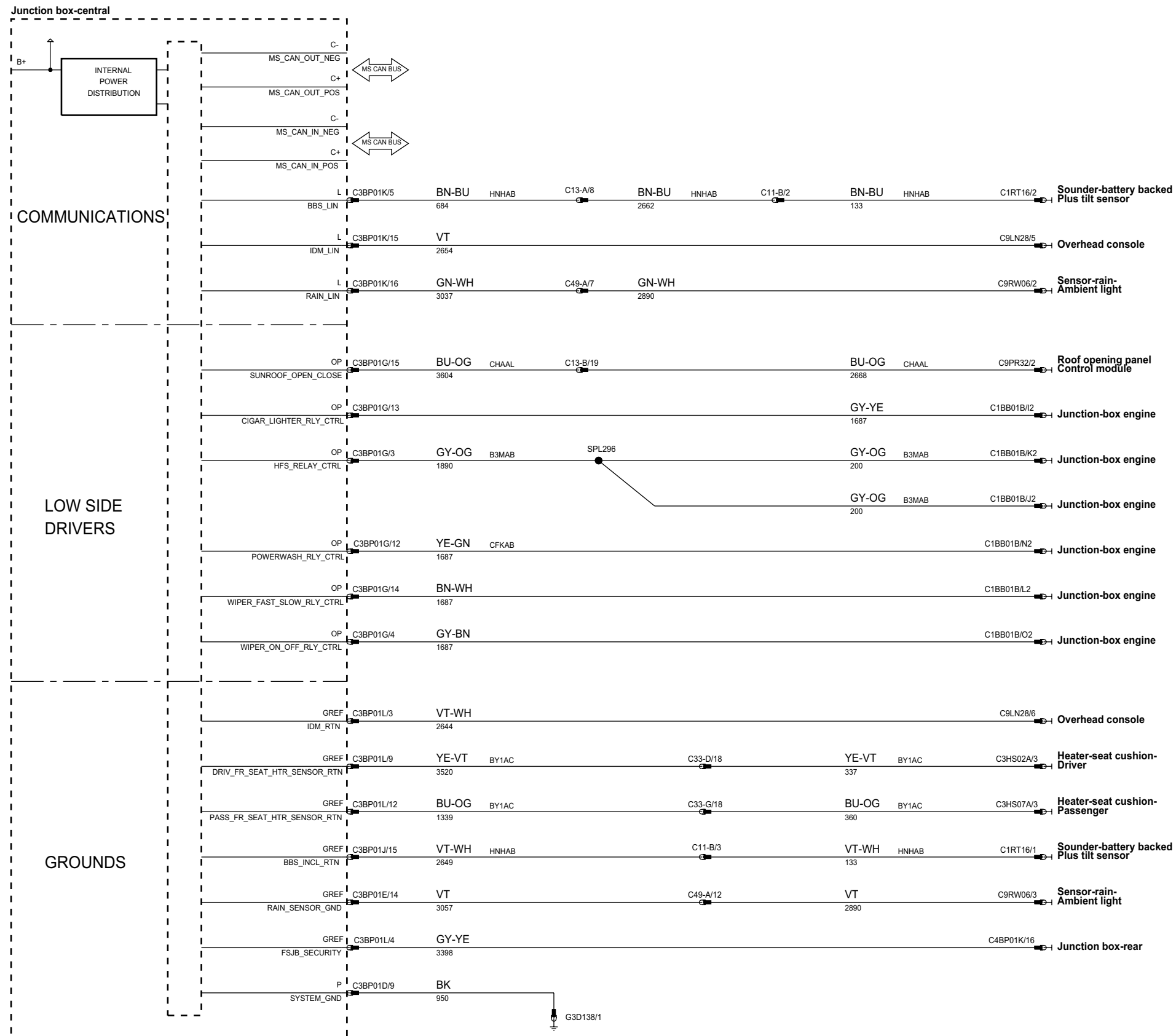
phar83-70010-x-ae



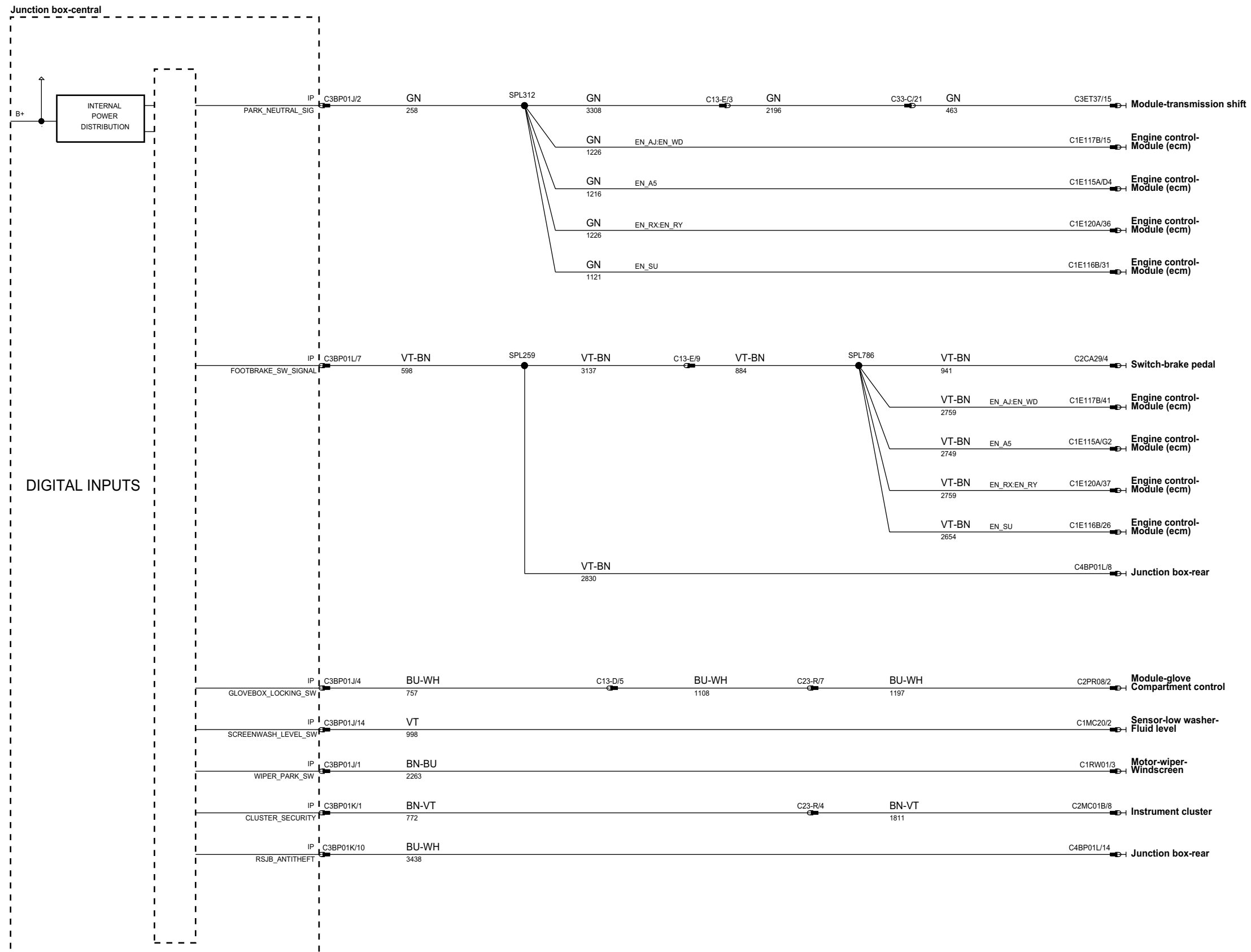
phar83-70010-y-ae



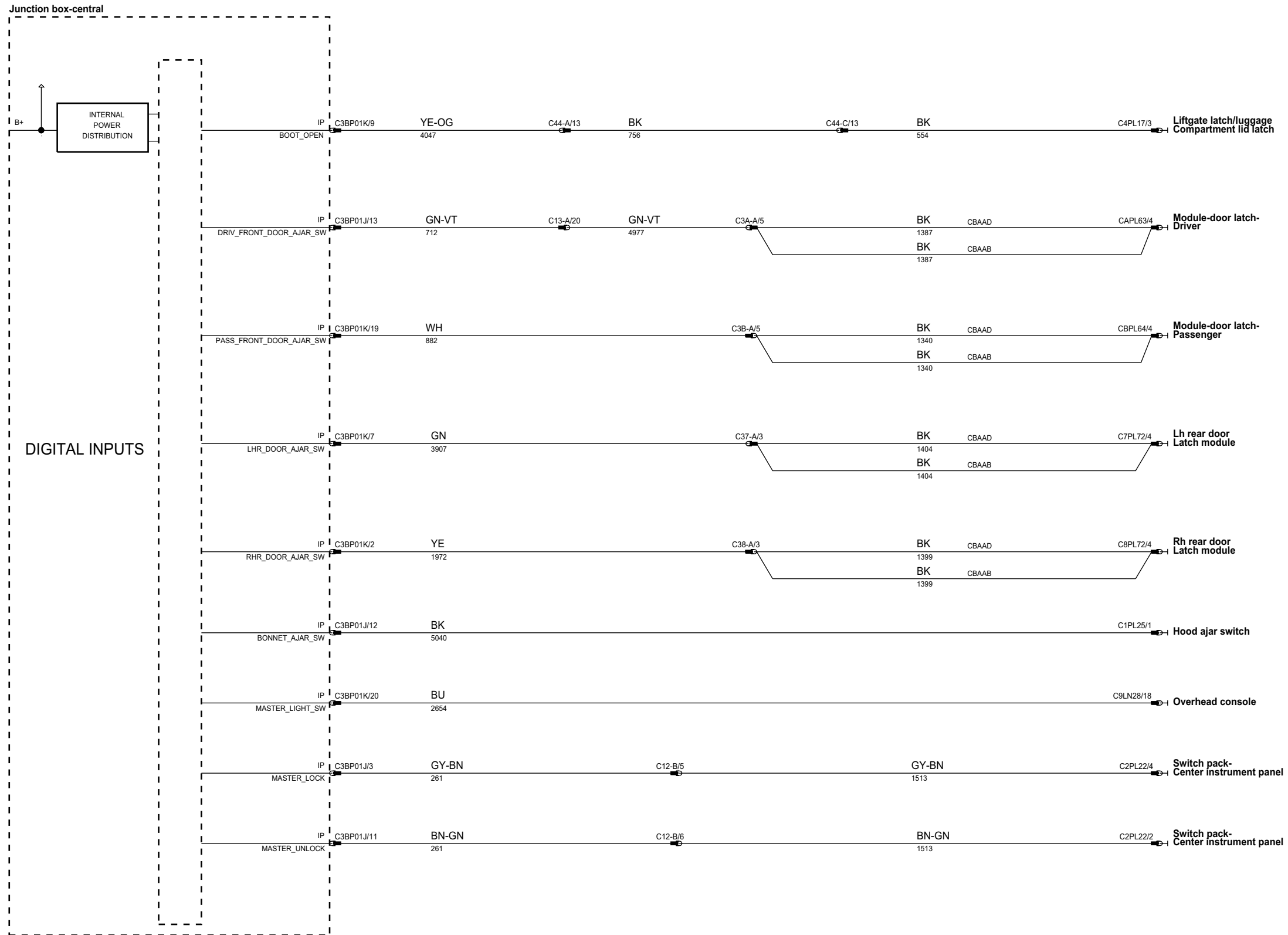
phar83-70010-z-ae



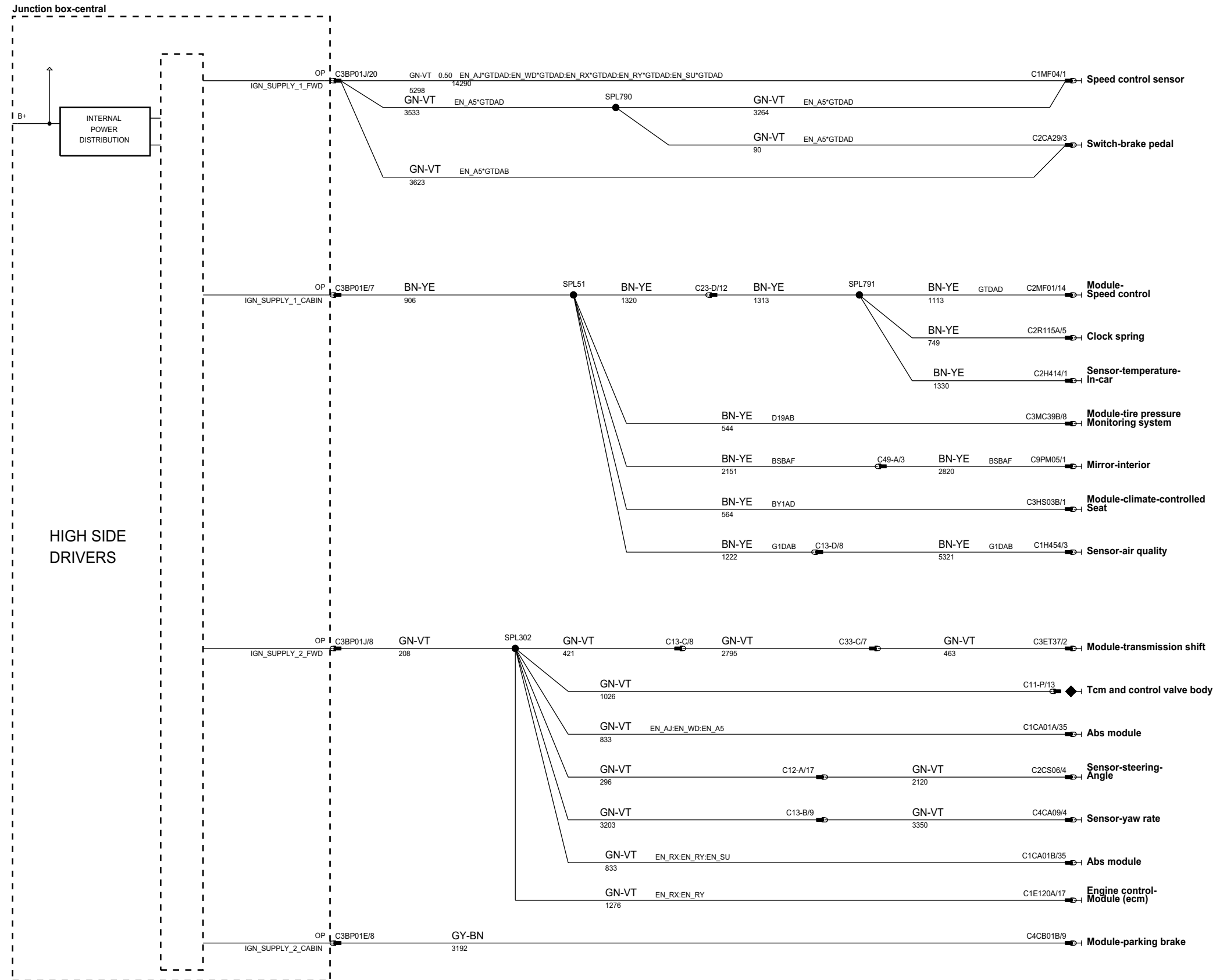
phar83-70010-2a-ae



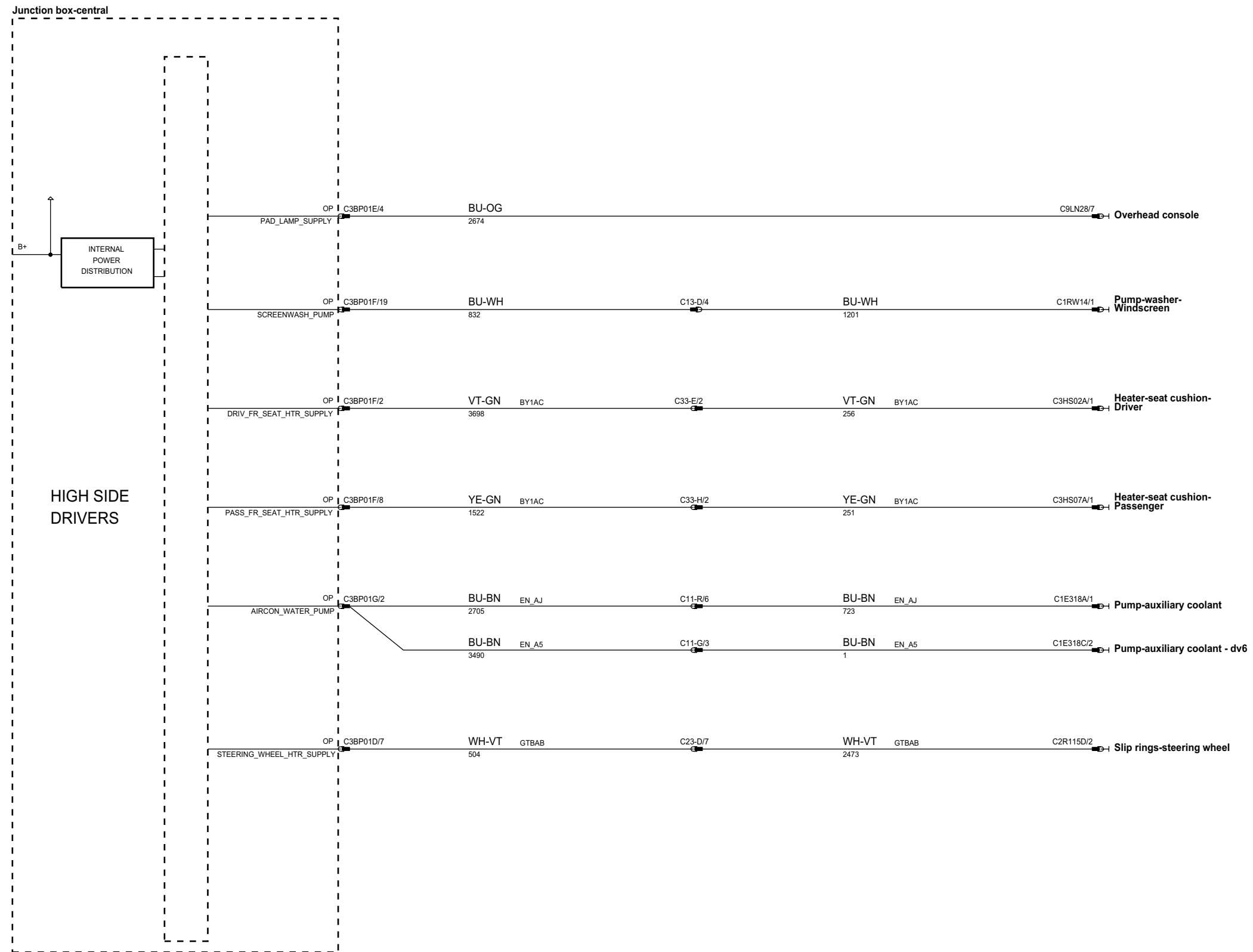
phar83-70010-zb-ae



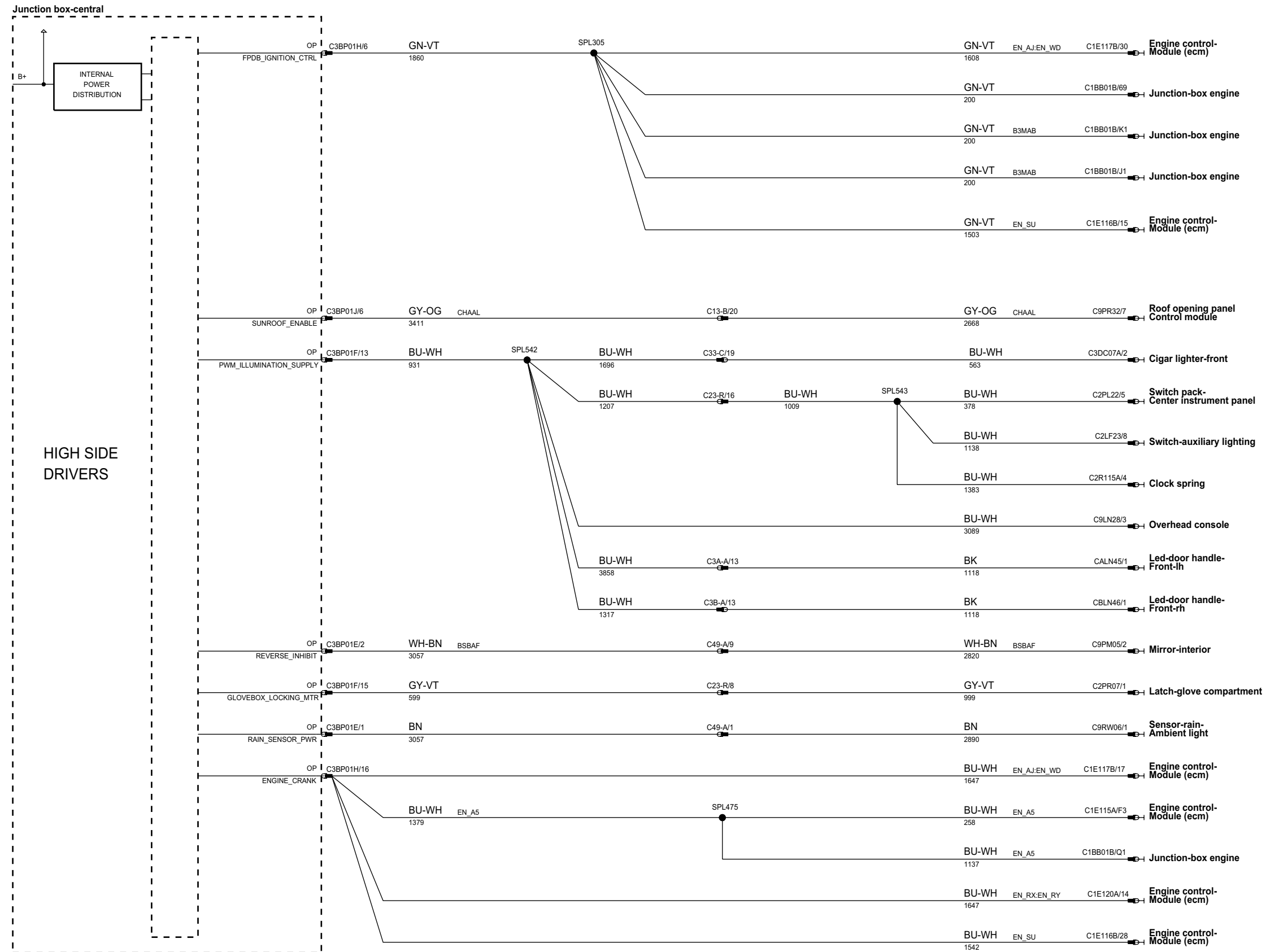
phar83-70010-zc-ee



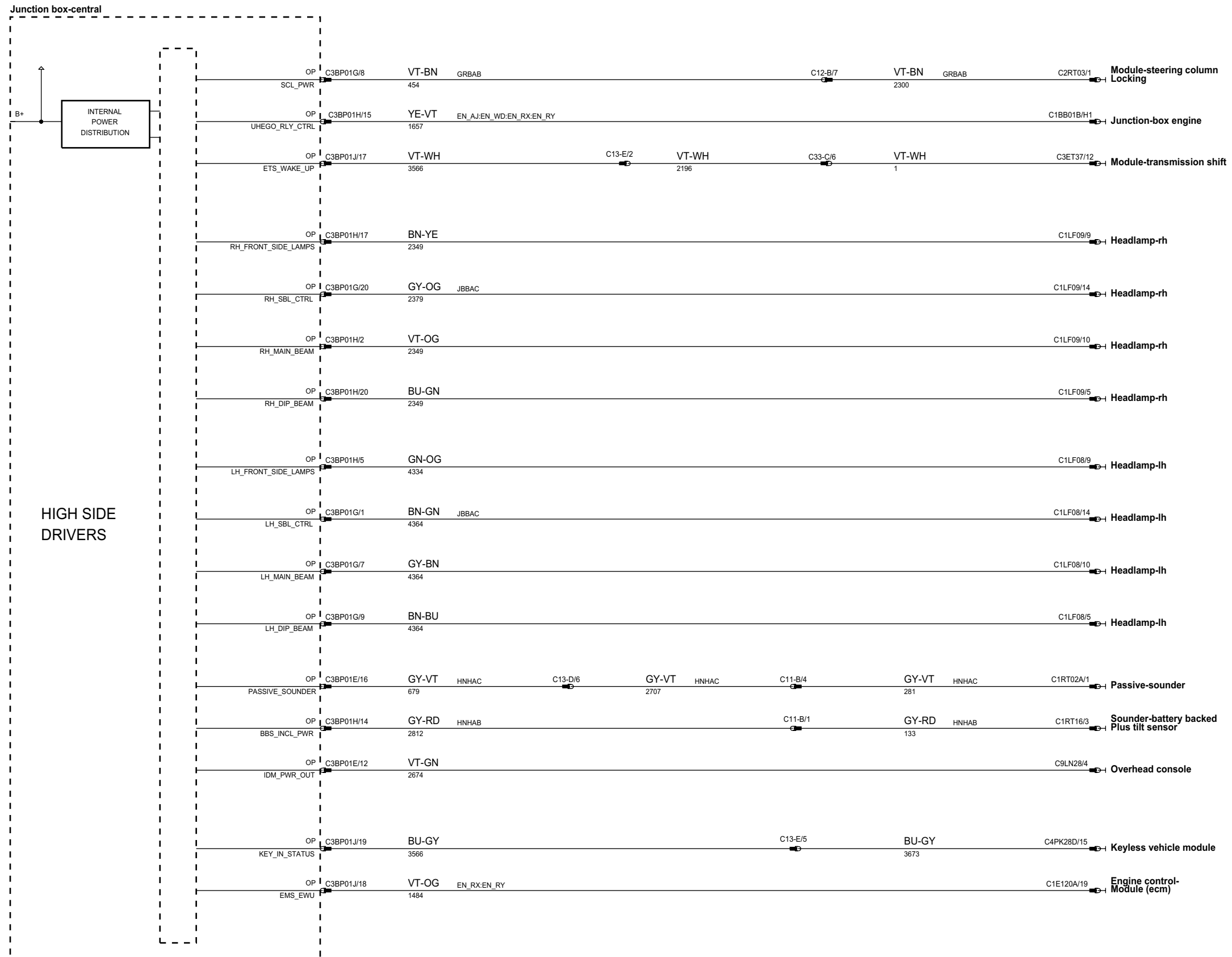
phar83-70010-zd-ae



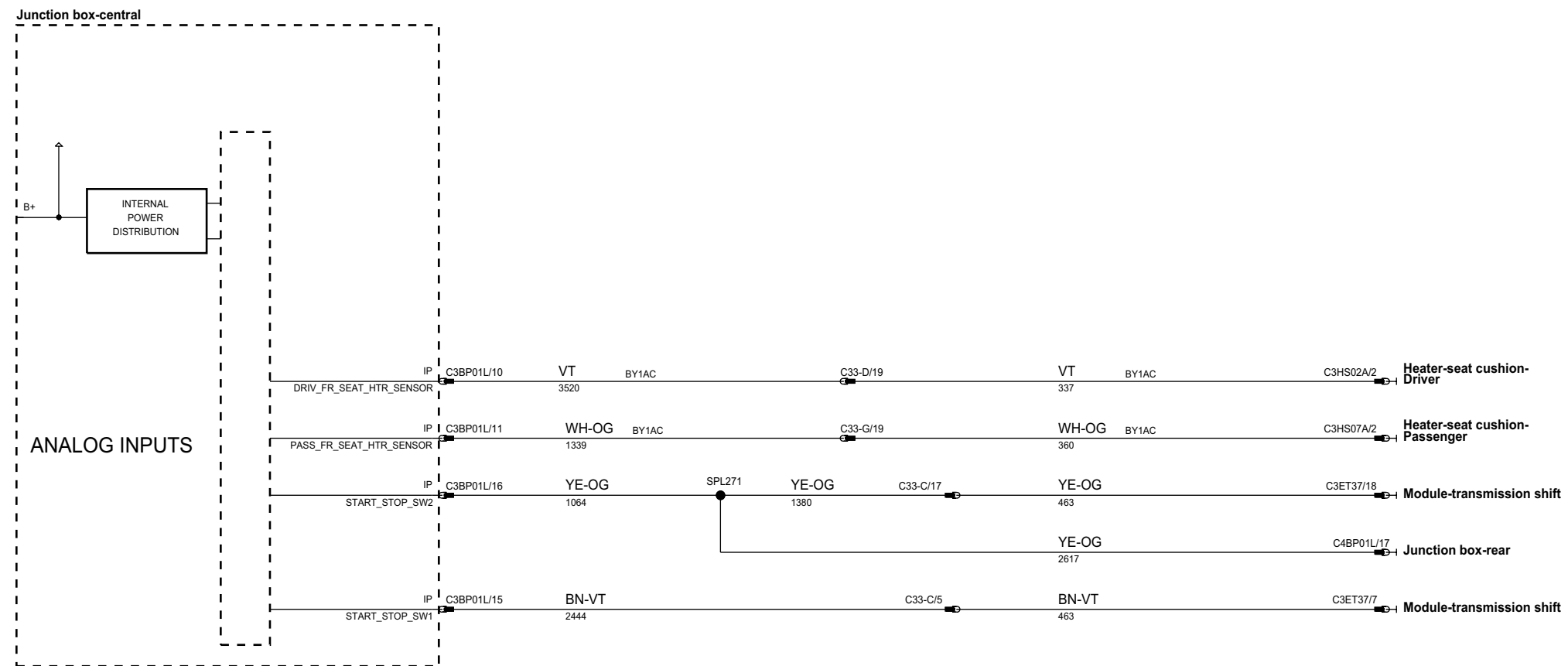
phar83-70010-2e-ae



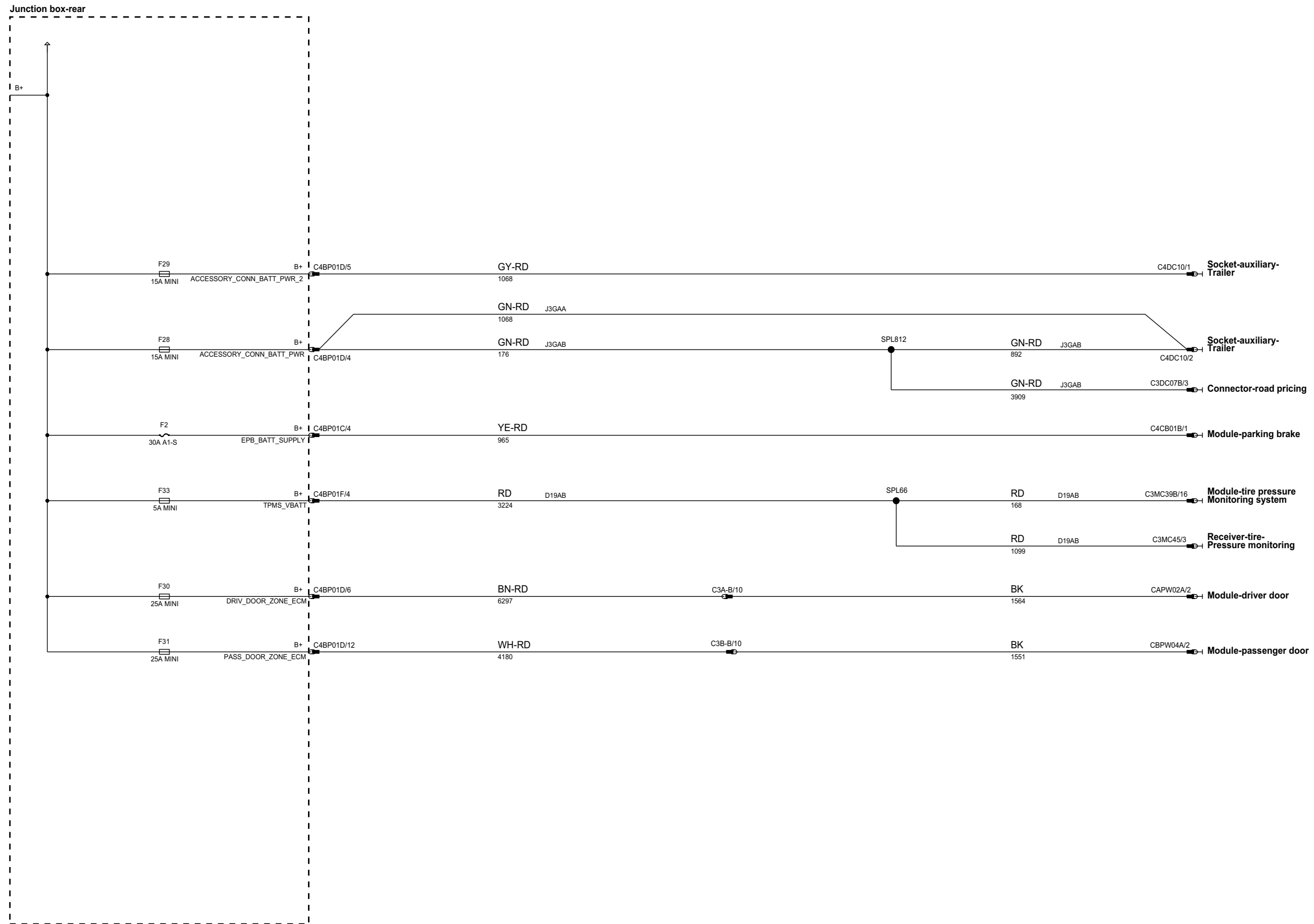
phar83-70010-zf-ae



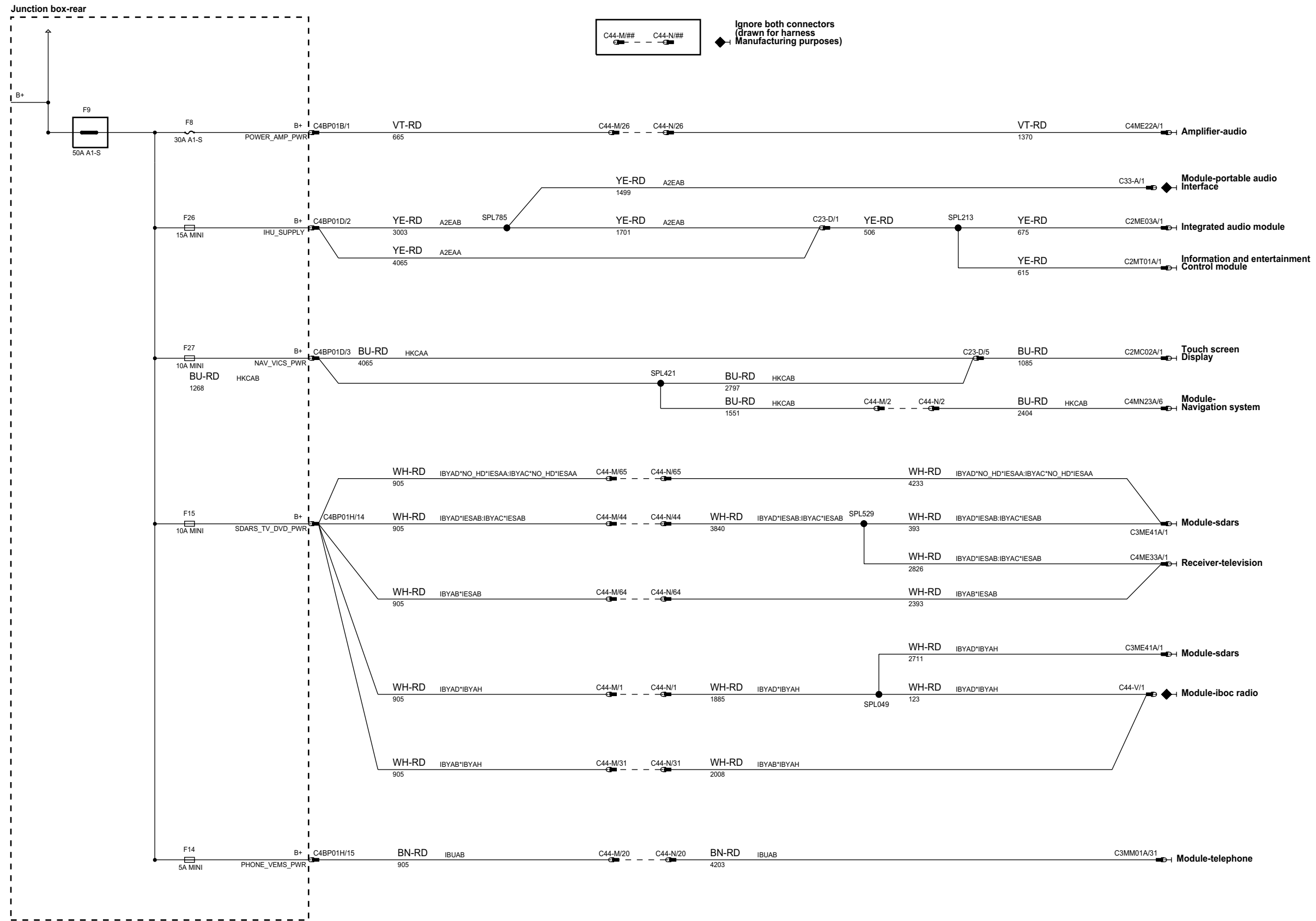
phar83-70010-zg-ae



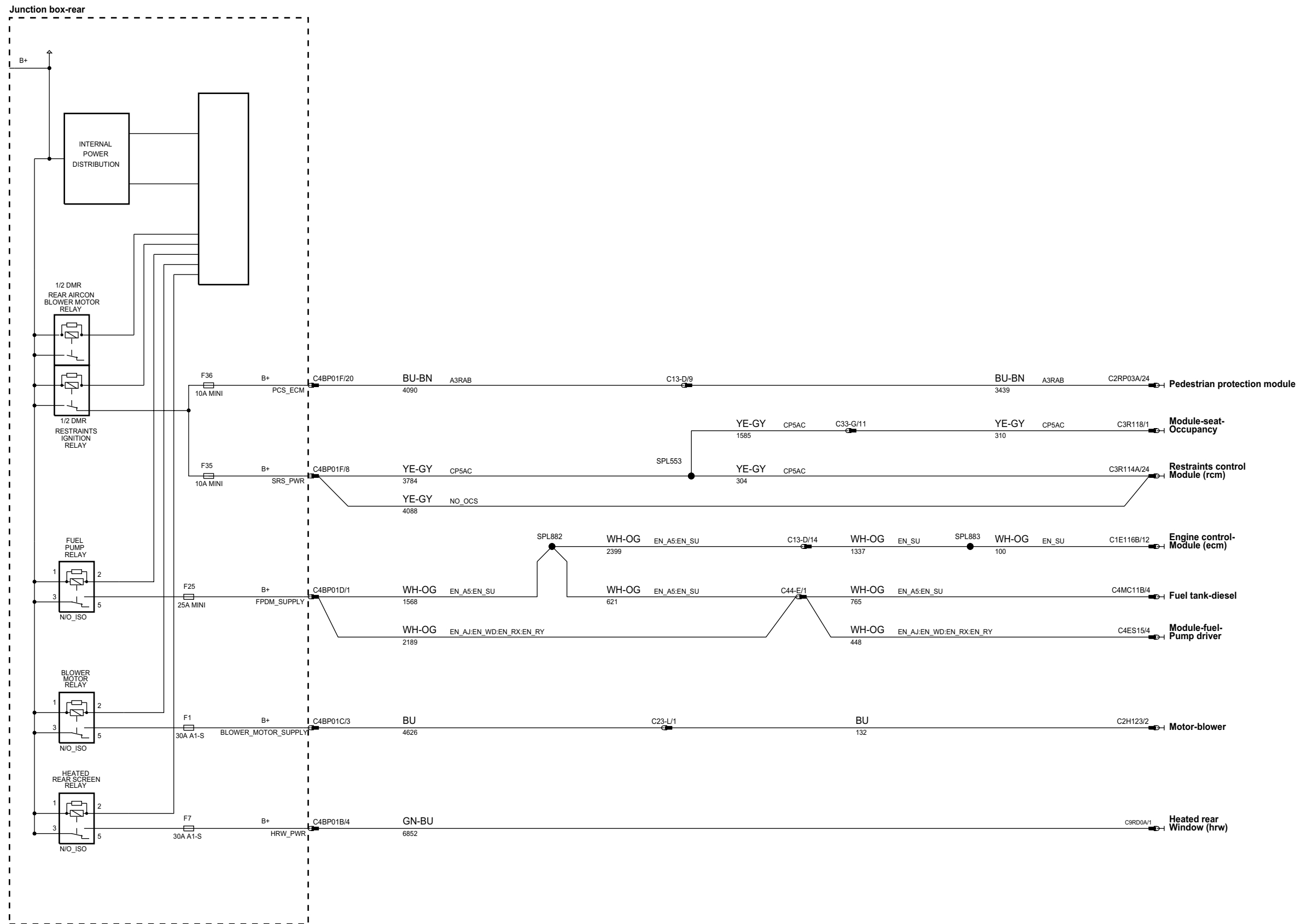
phar83-70010-n-ae



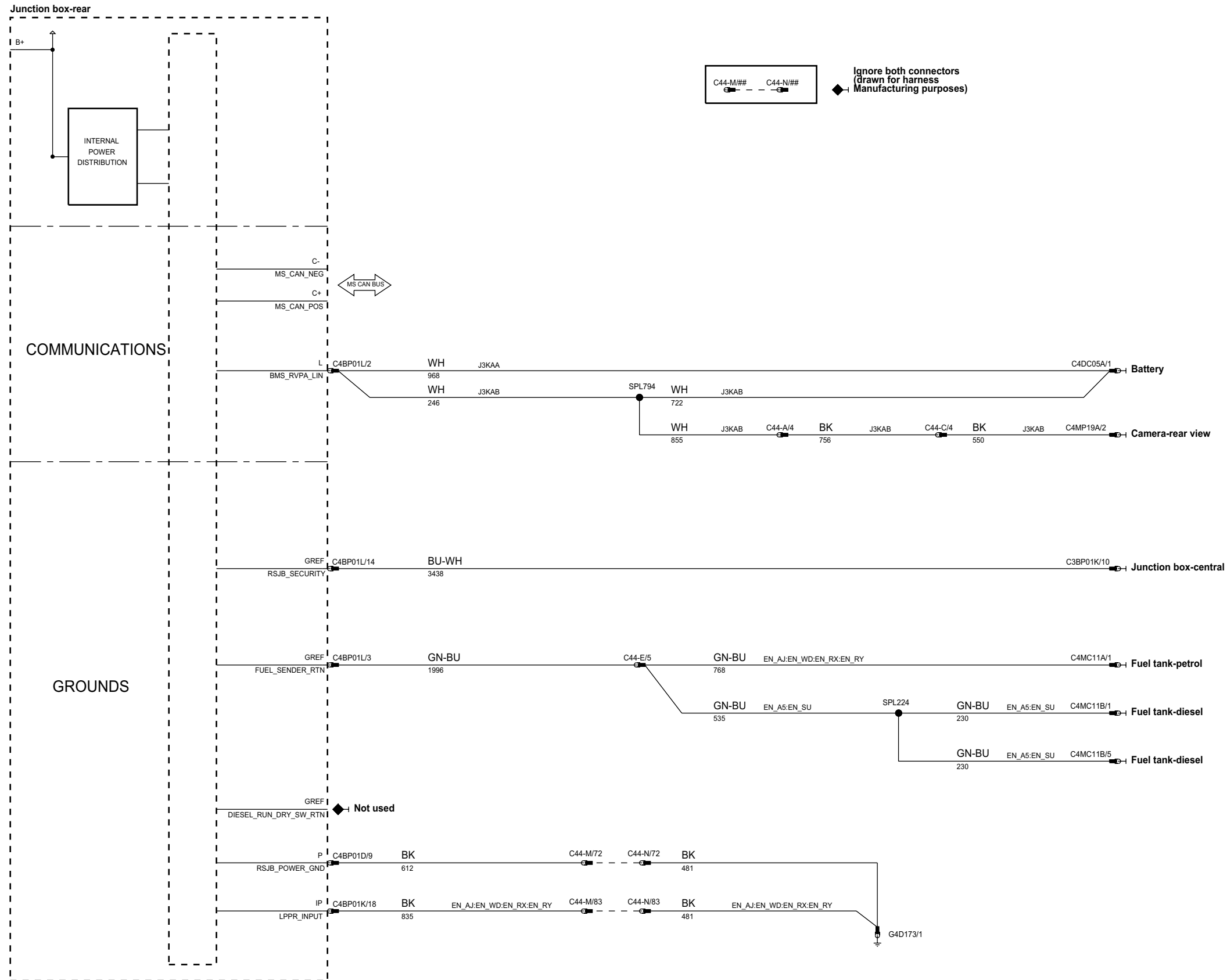
phar83-70010-p-ae



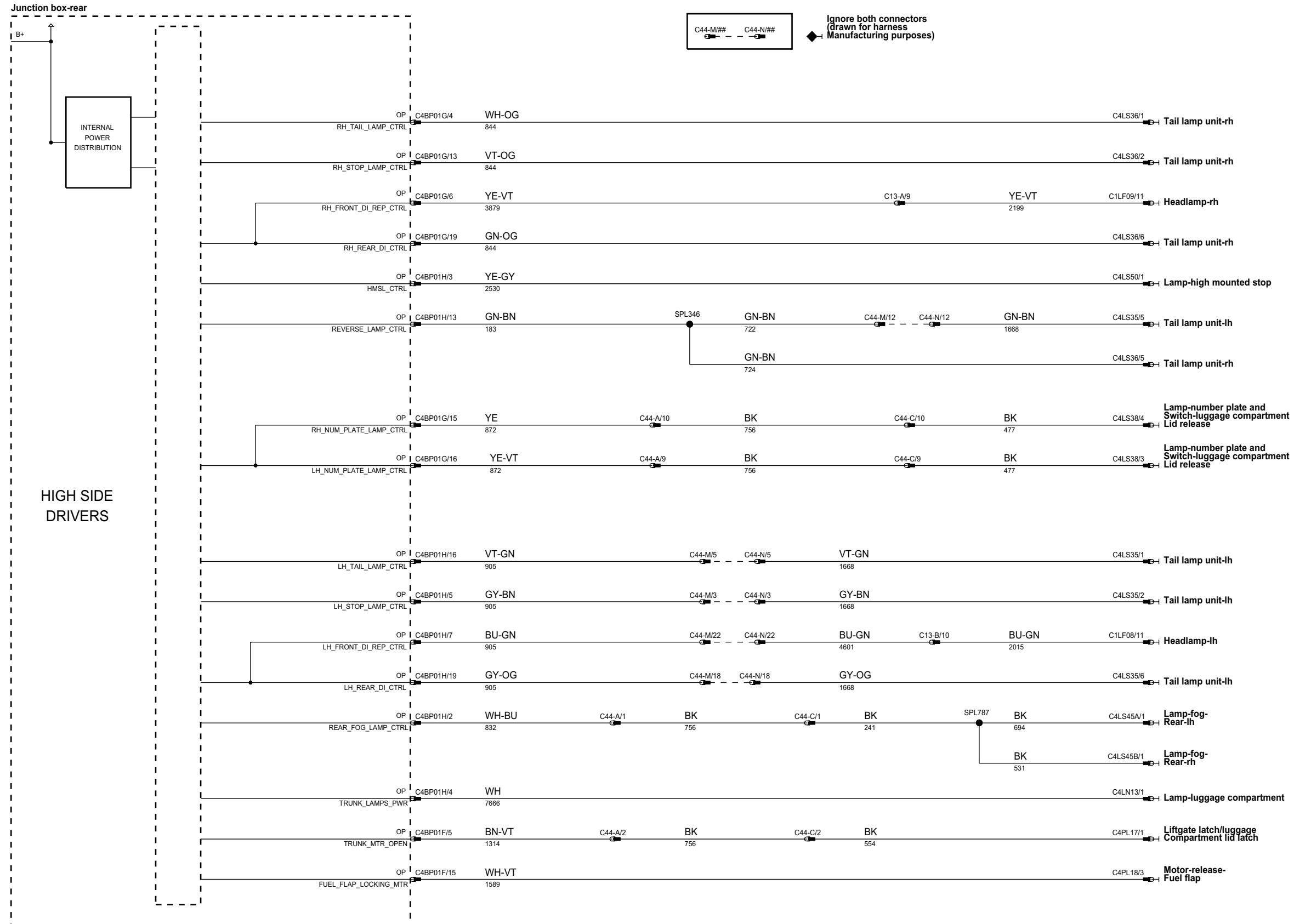
phar83-70010-r-ae



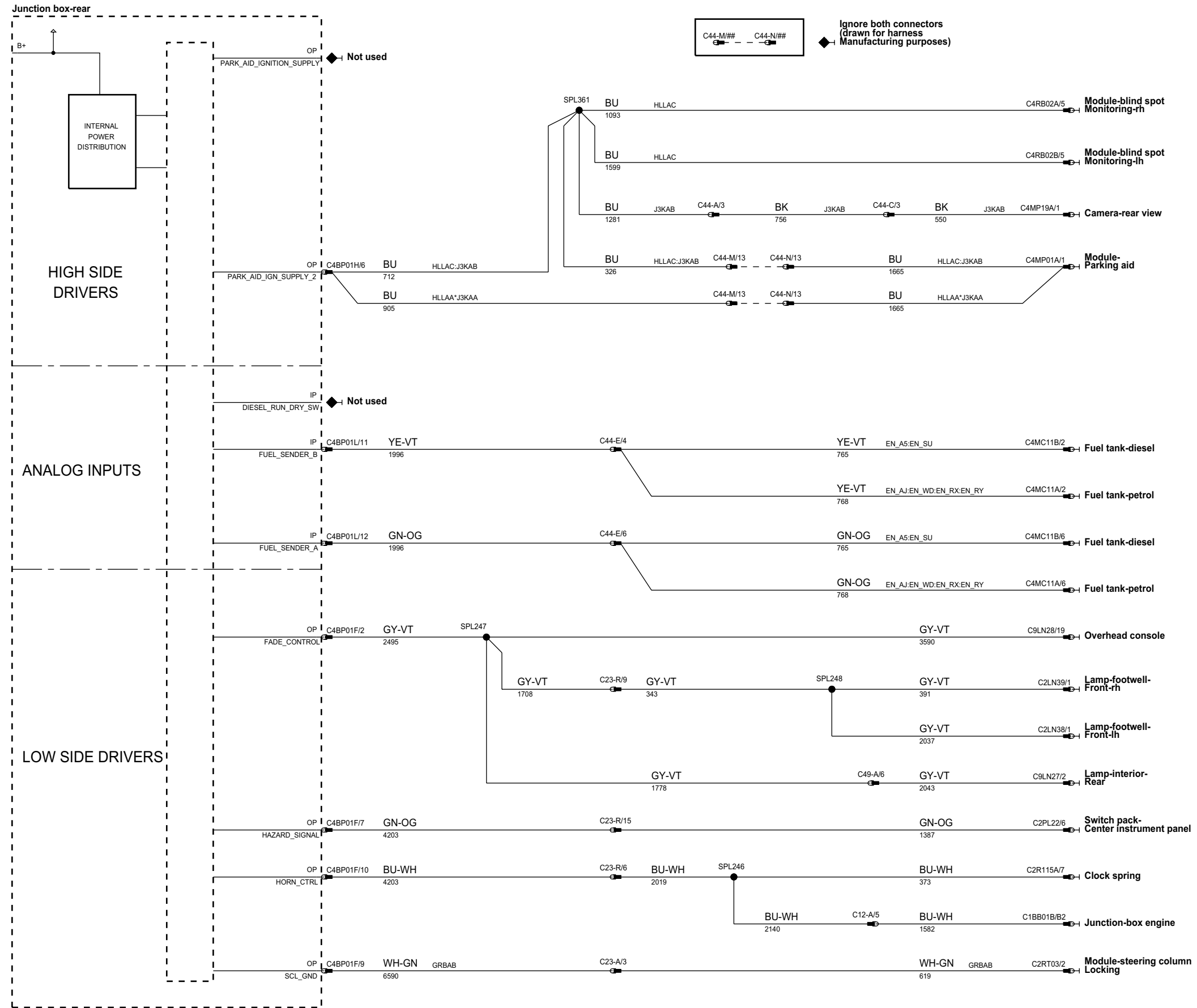
phar83-70010-e-ae



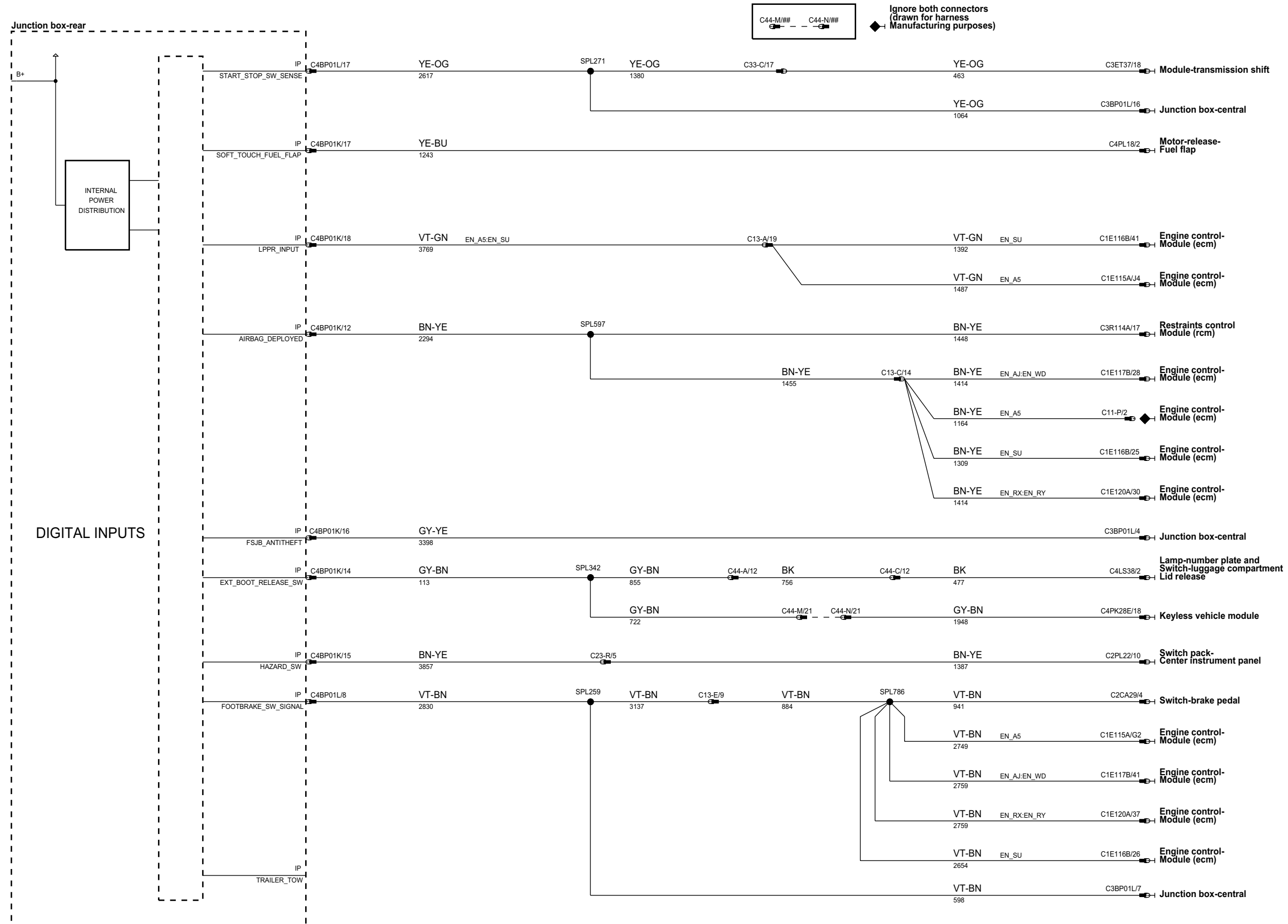
phar83-70010-ae



phar83-70010-u-ae

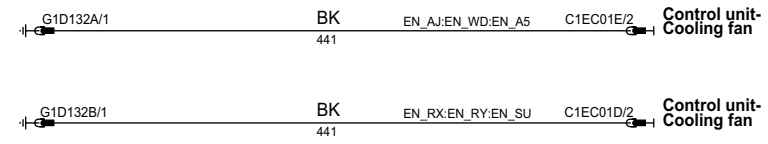


phar8-70010-v-ac

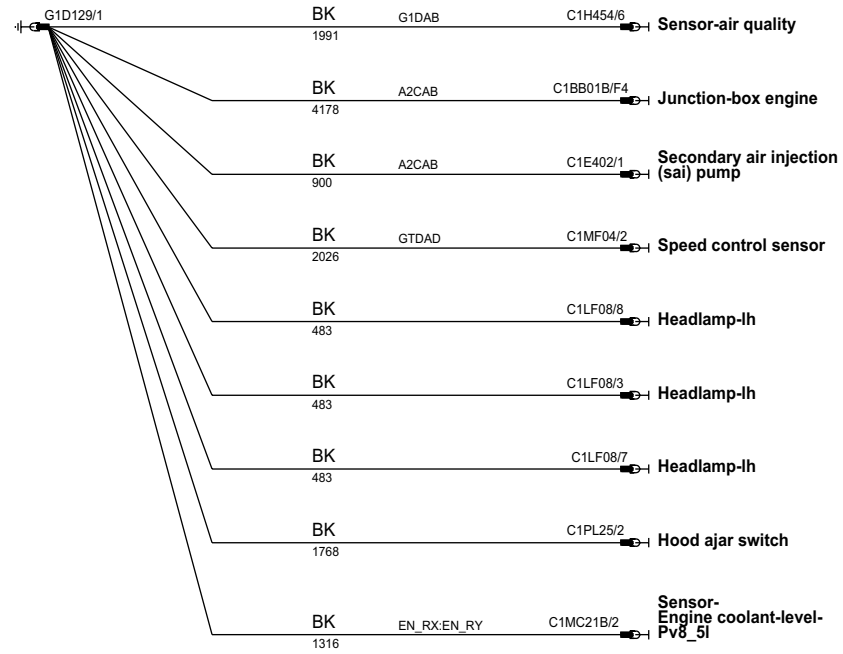


phar83-70012-a-ae

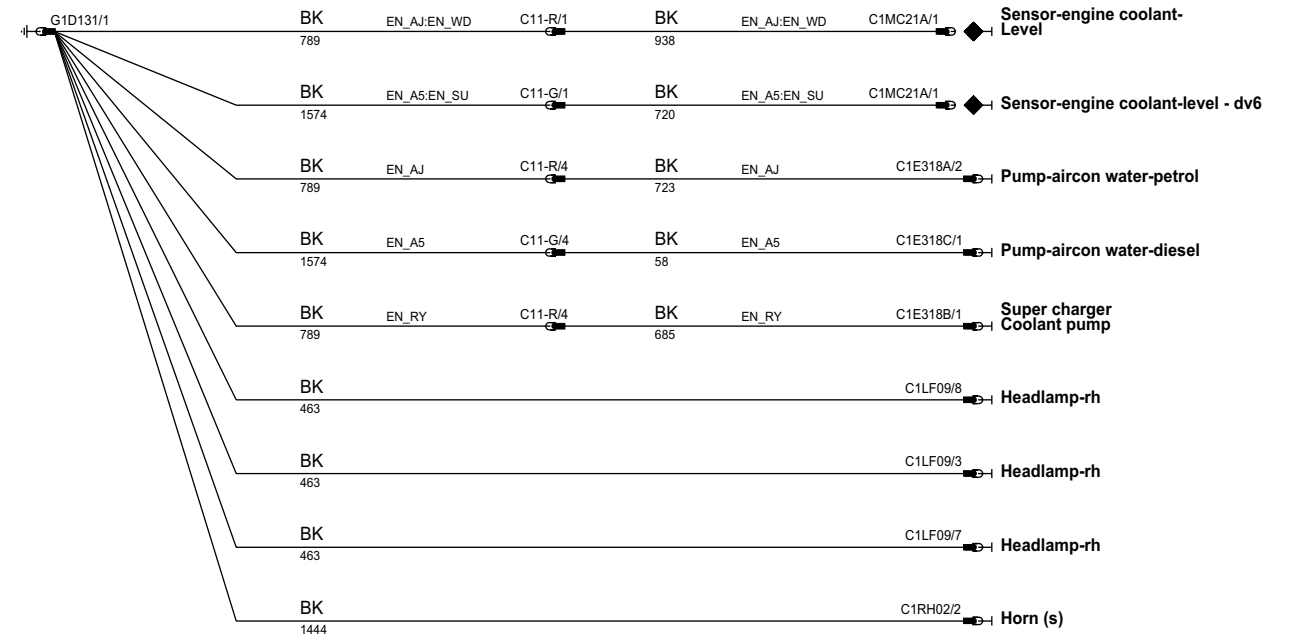
◆ Behind rh headlamp



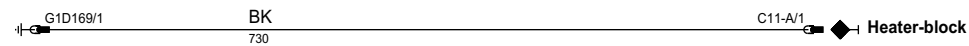
◆ Behind lh headlamp



◆ Behind rh headlamp

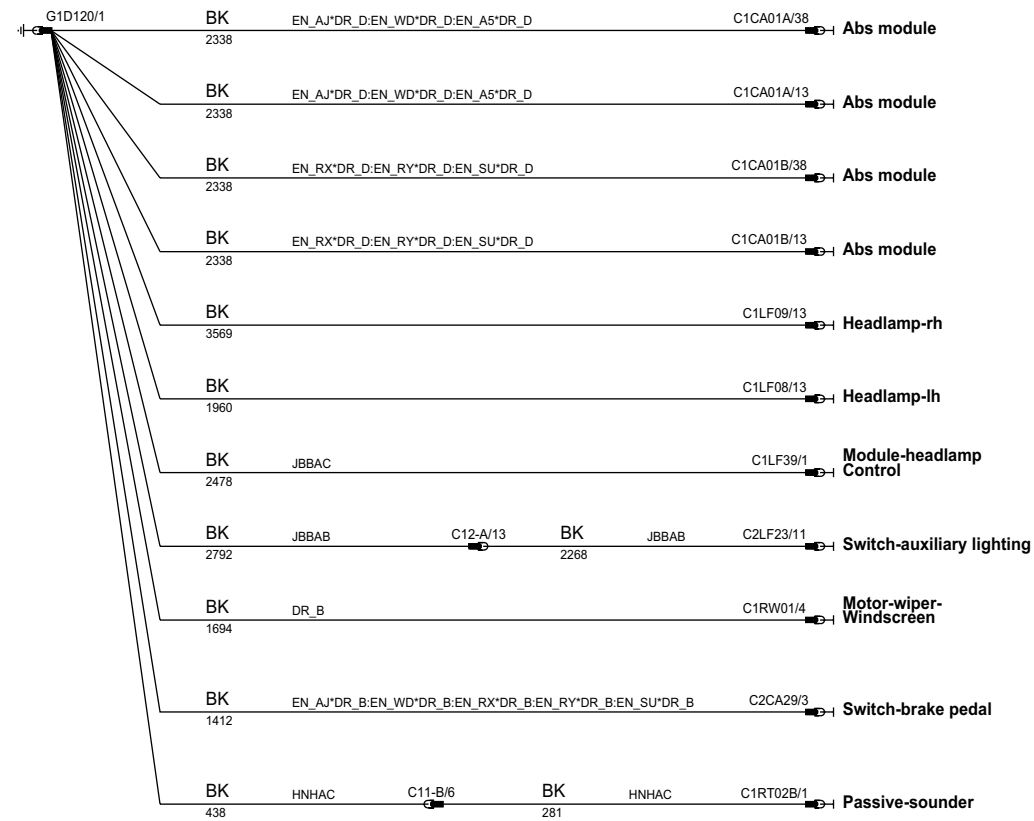


◆ Ground-heater-block

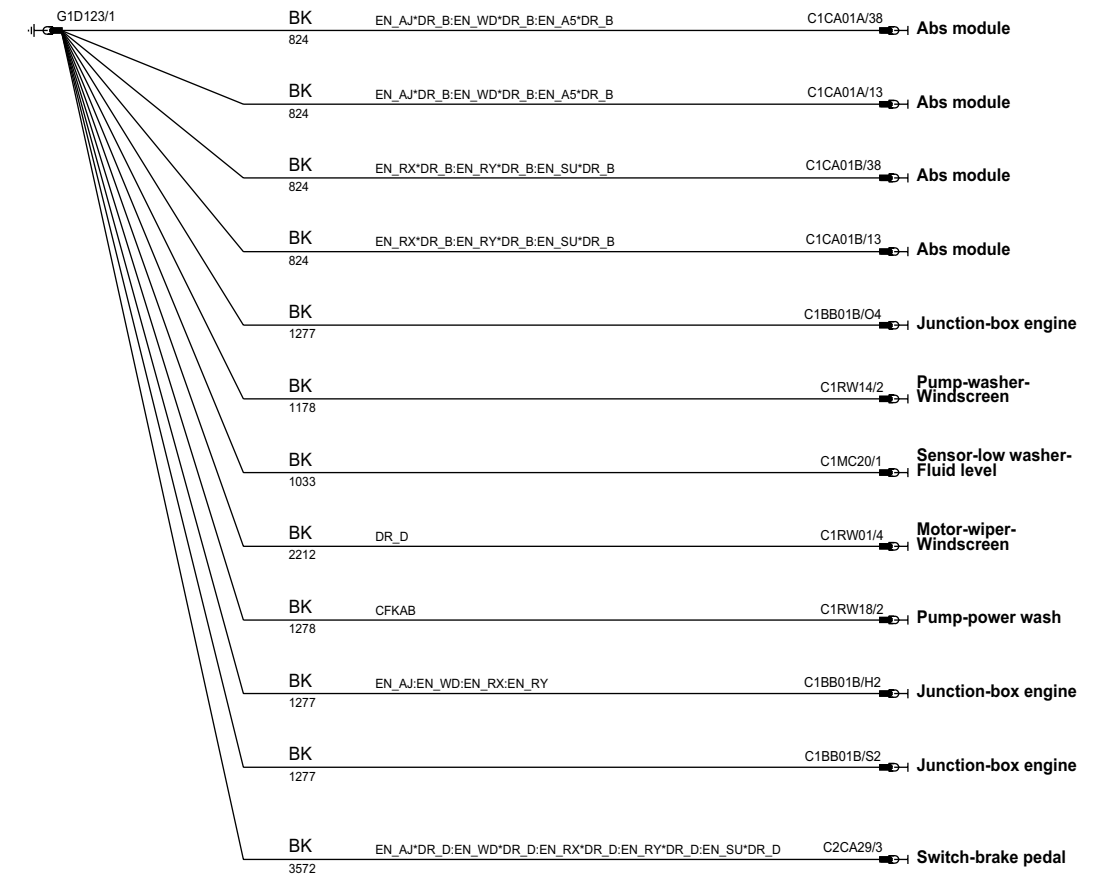


phar83-70012-b-ae

Under hood-
Lh inner fender

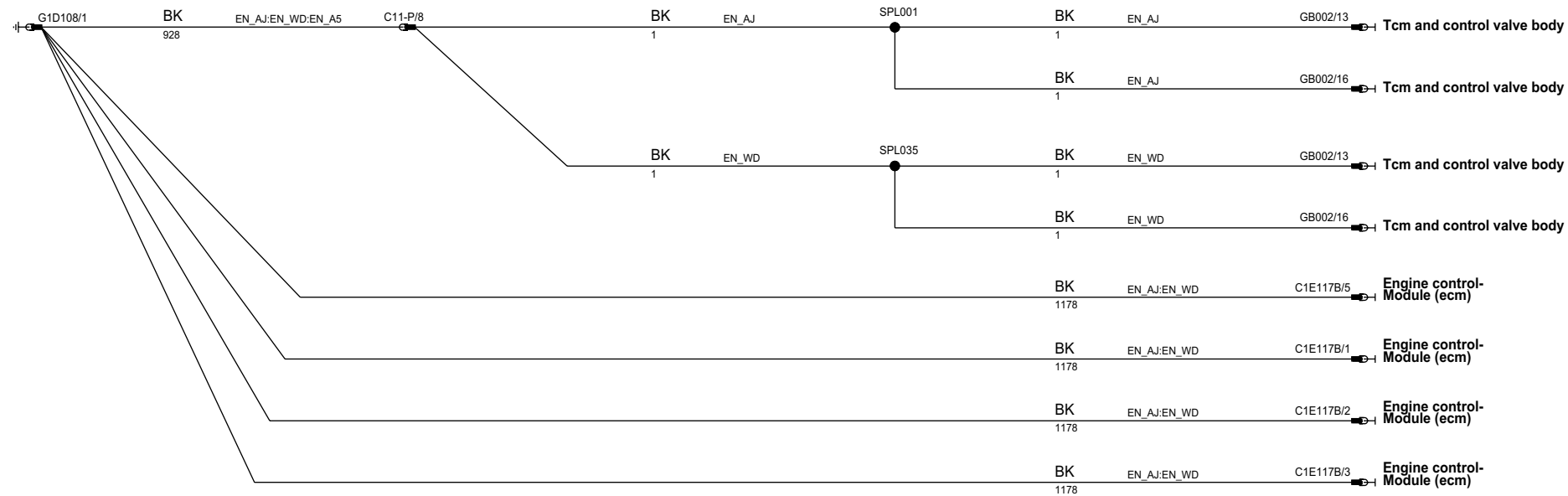


Under hood-
Rh inner fender

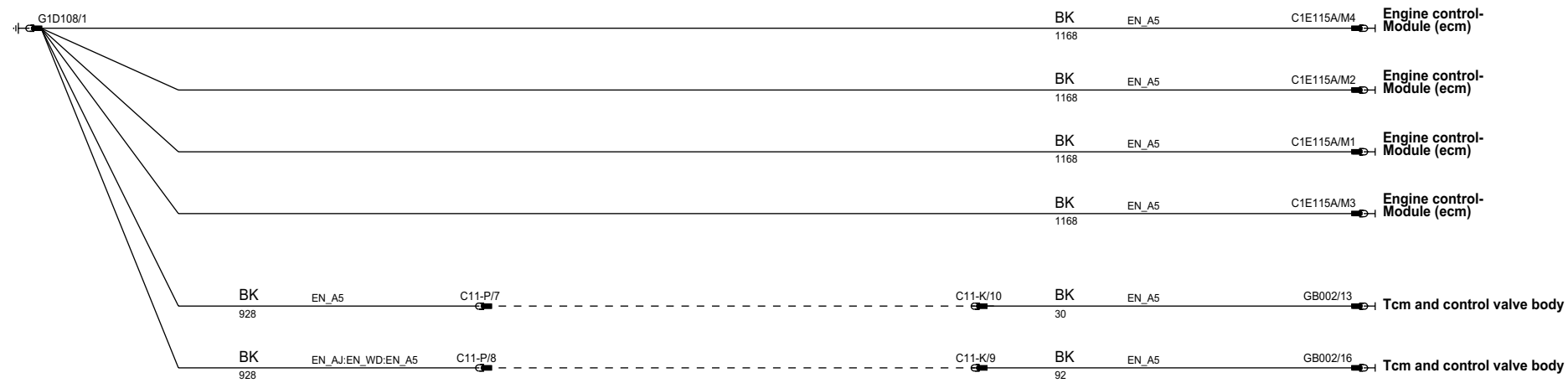


phar83-70012-c-ae

◆ Ground-ecm

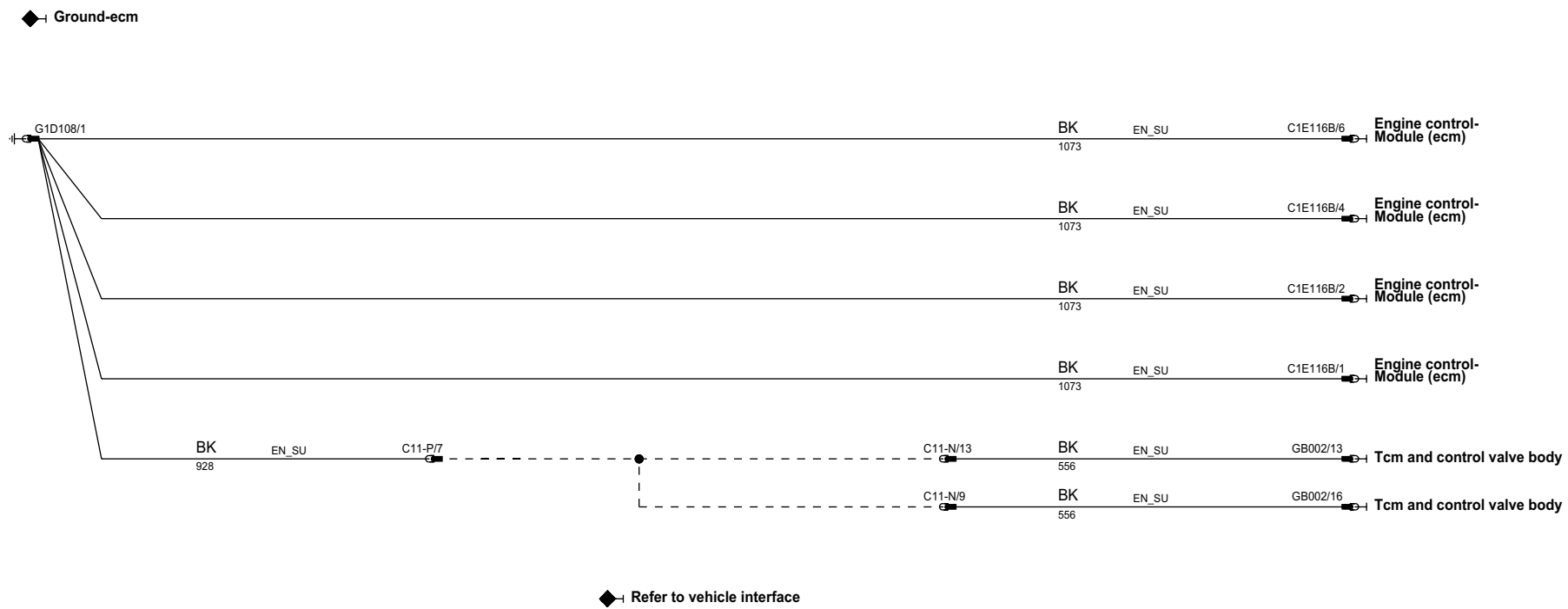
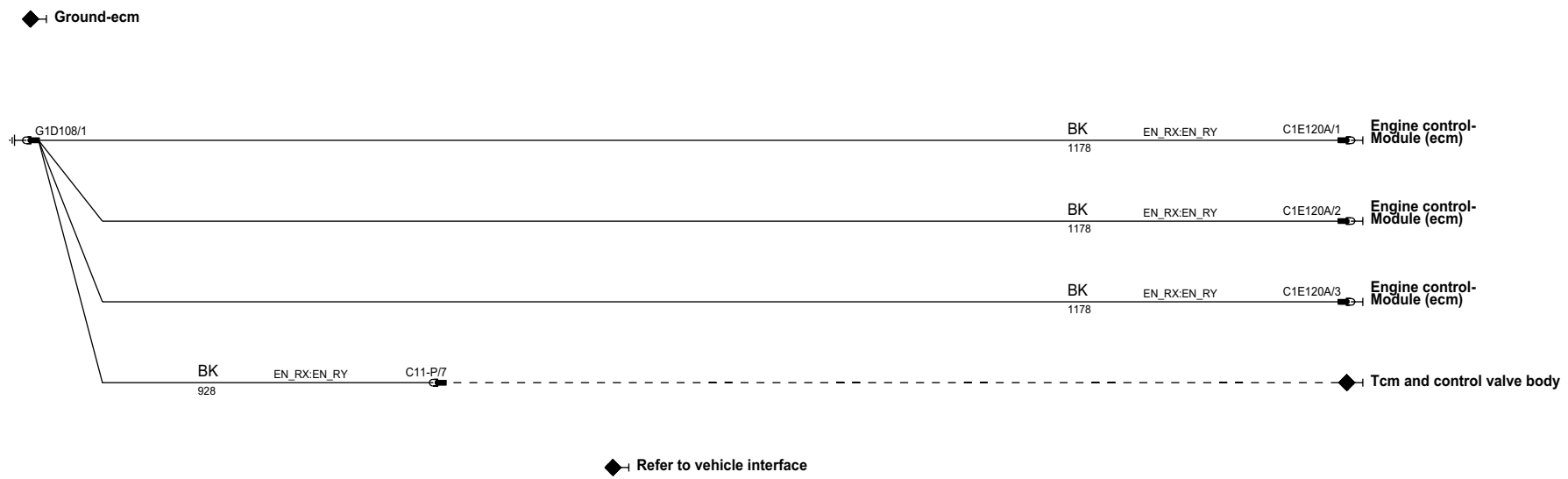


◆ Ground-ecm

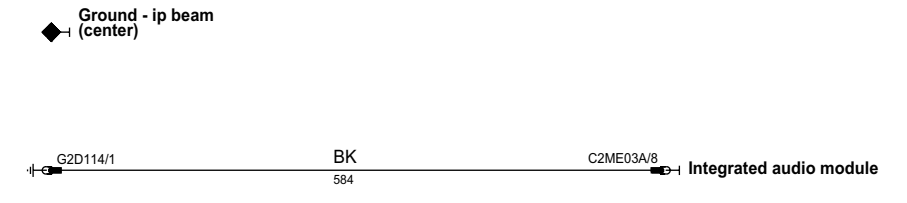
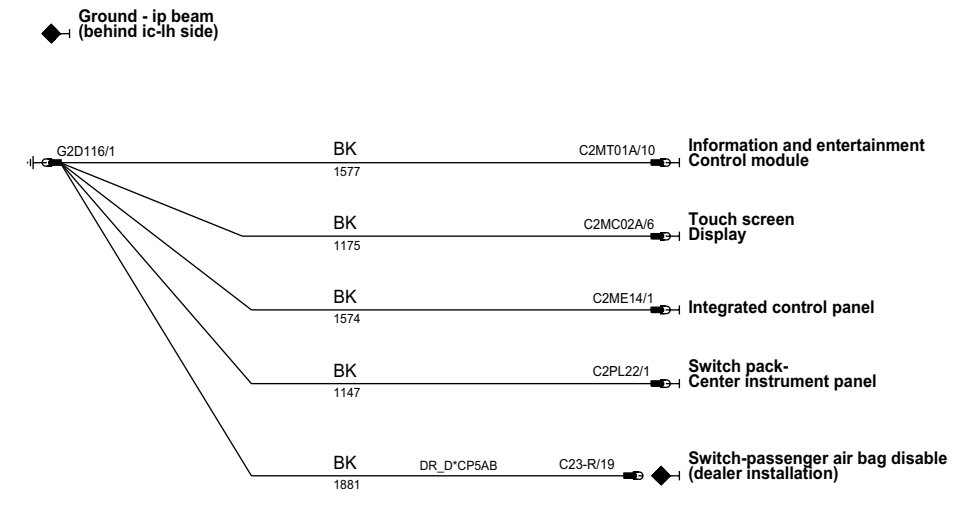
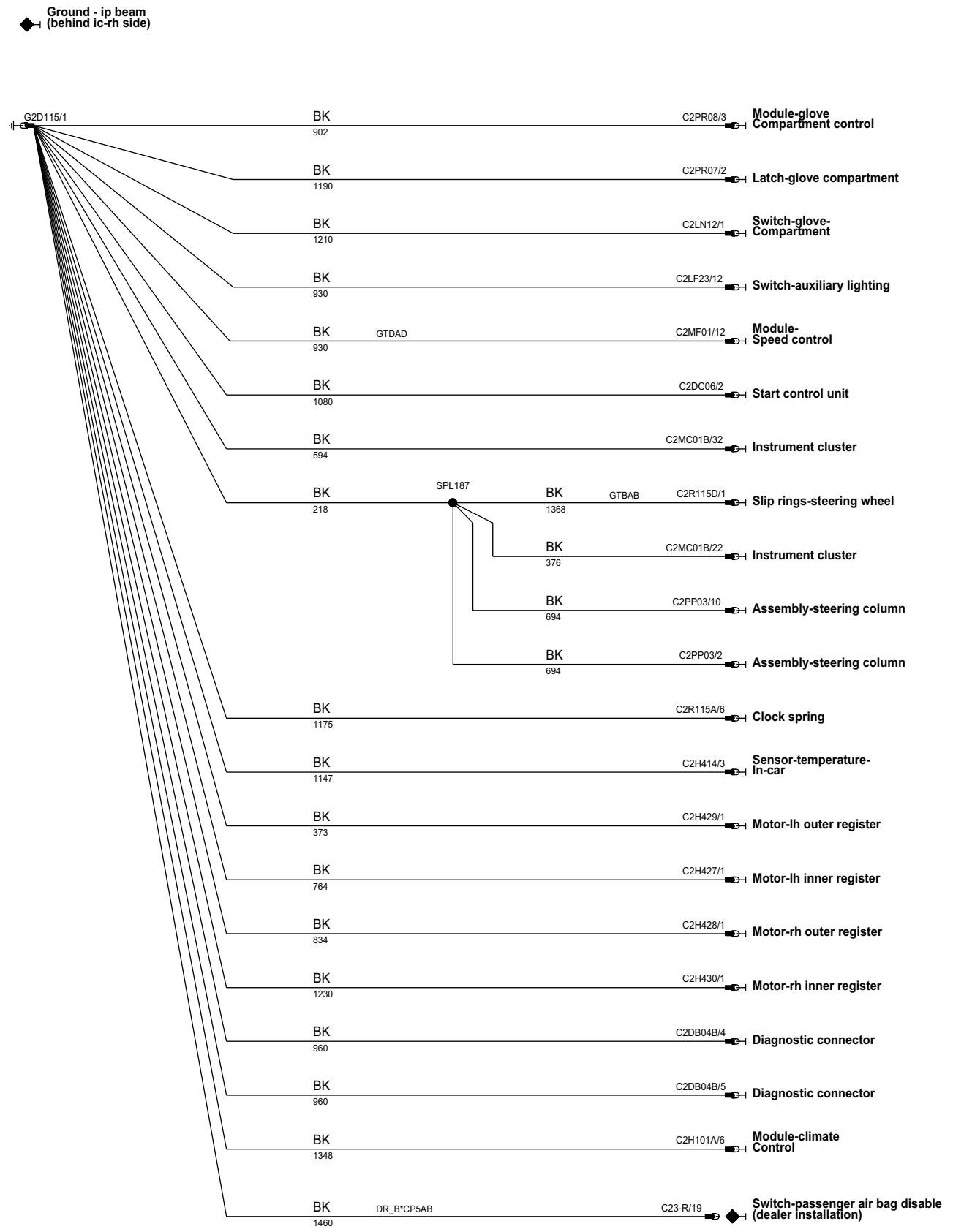


◆ Refer to vehicle interface

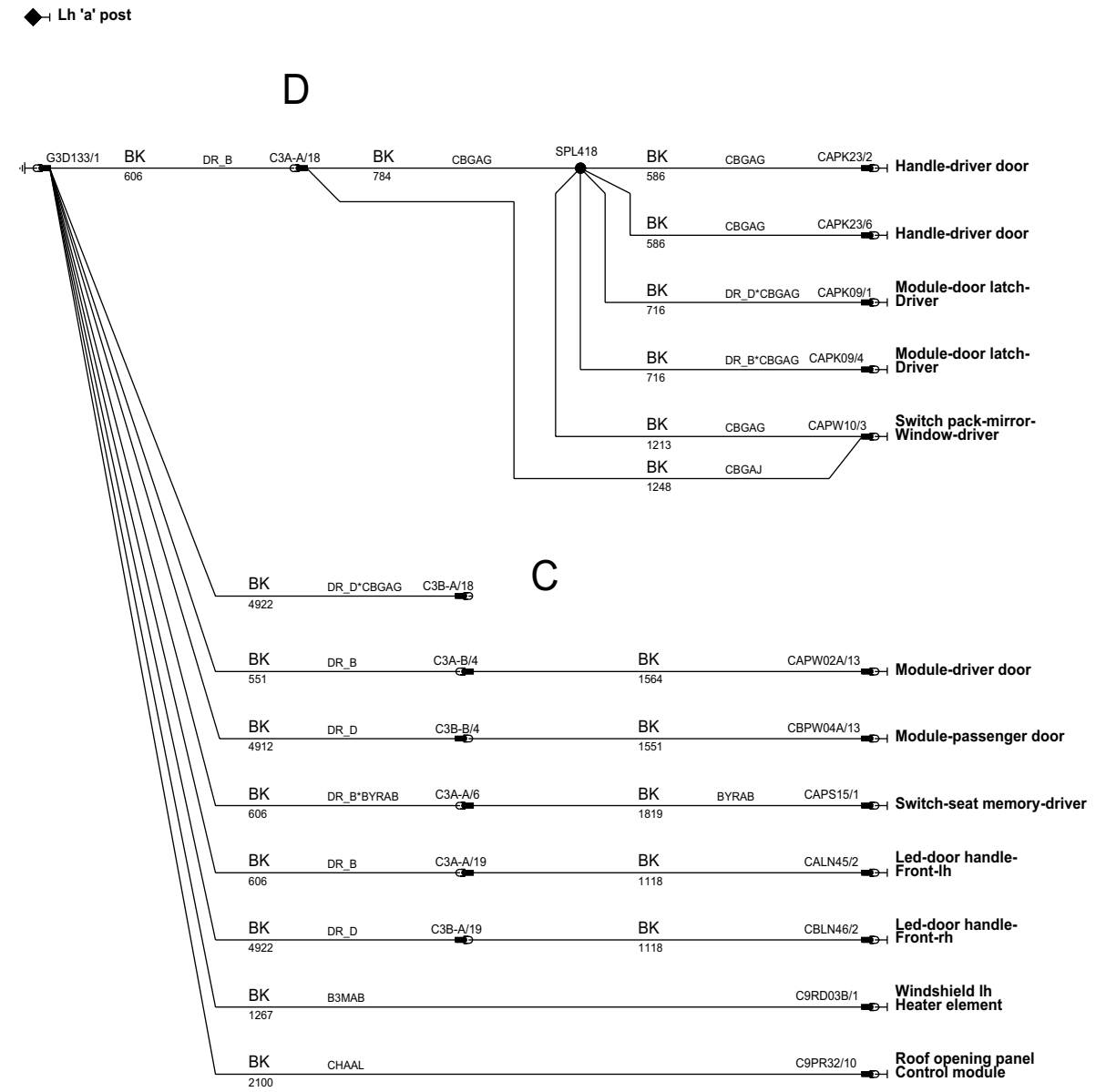
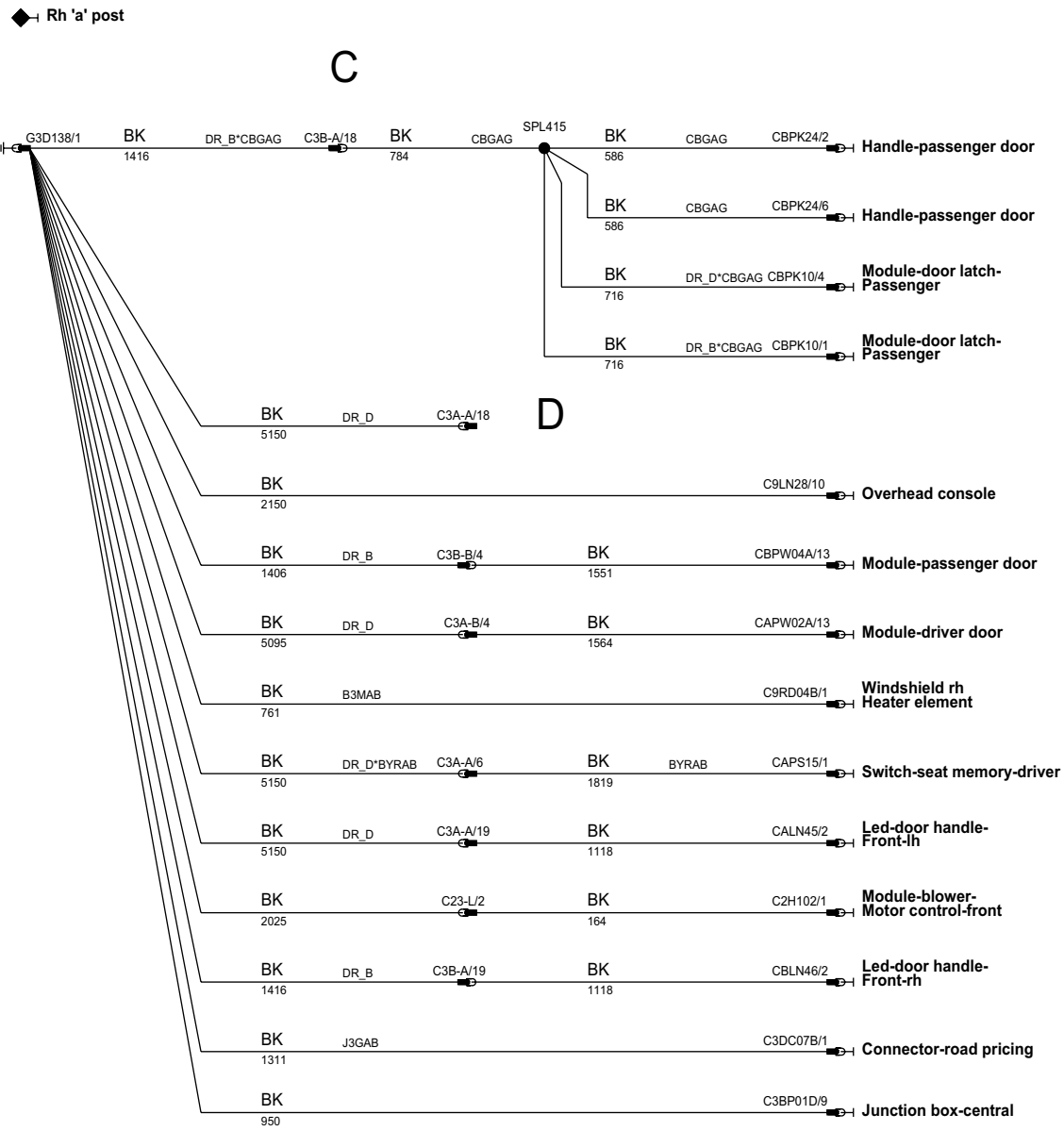
phar83-70012-5-ae



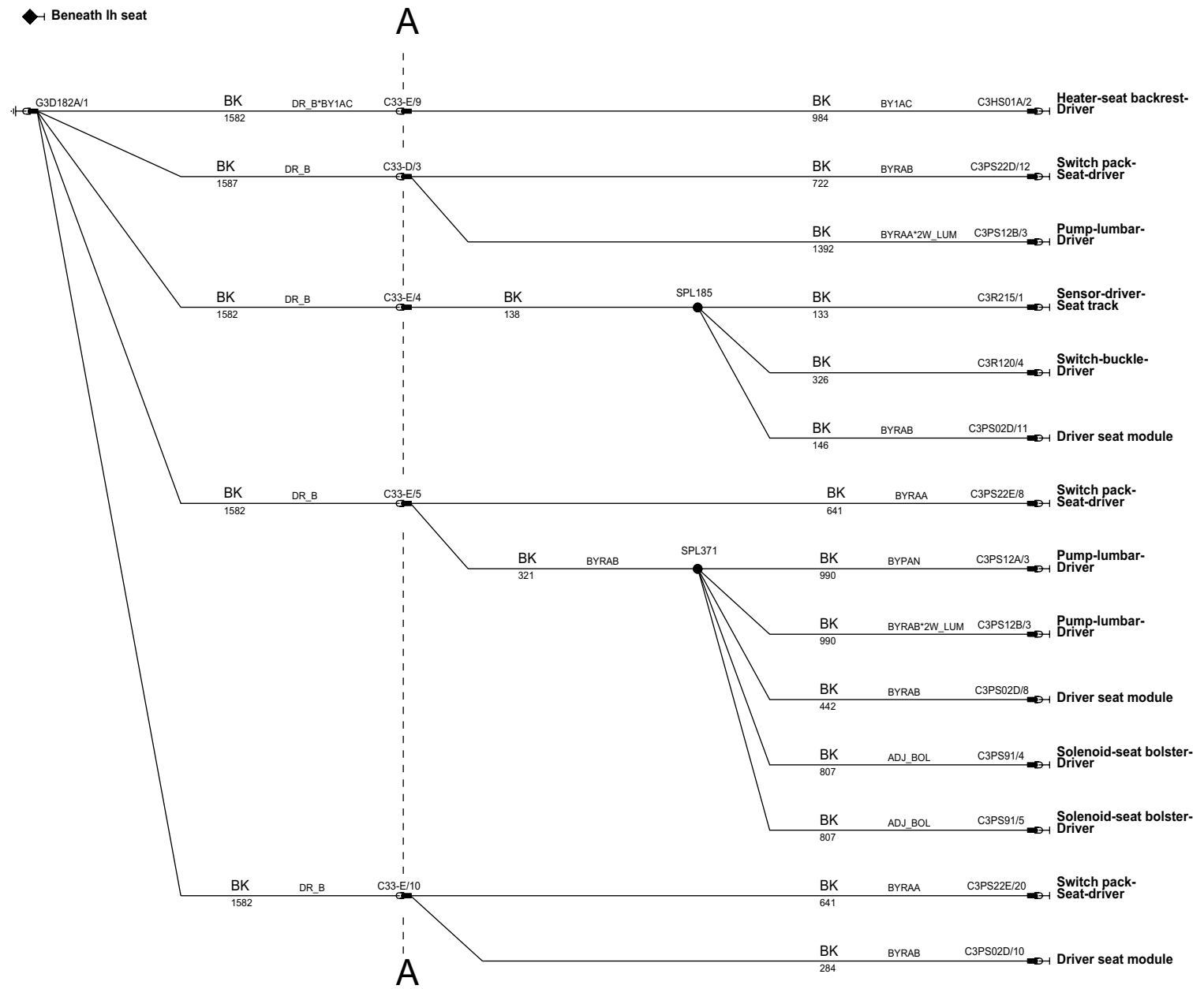
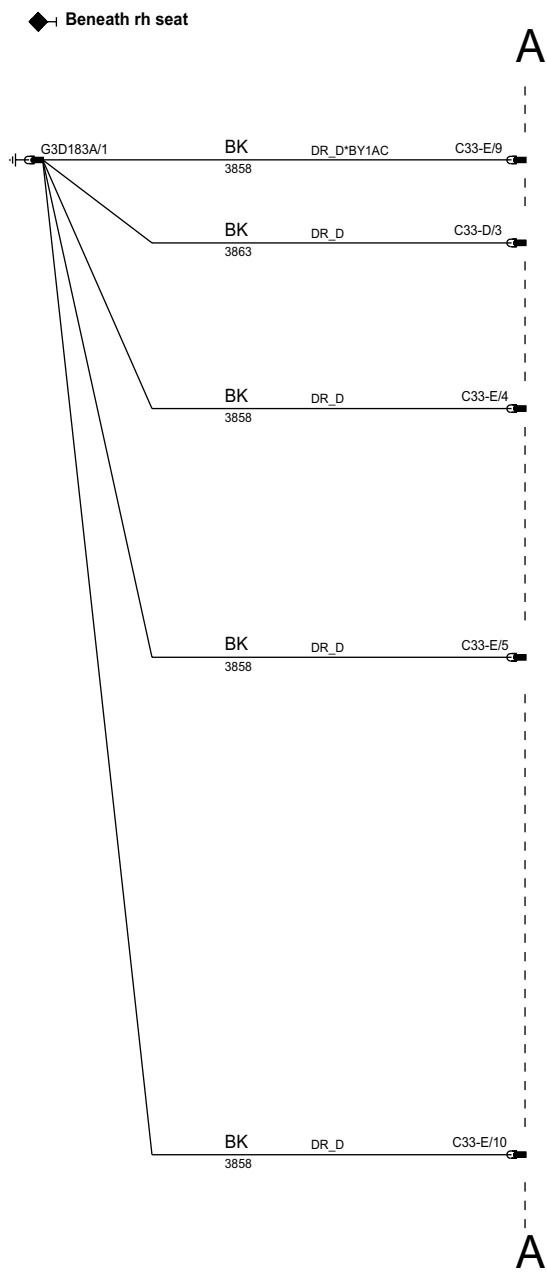
phar83-70012-e-ae



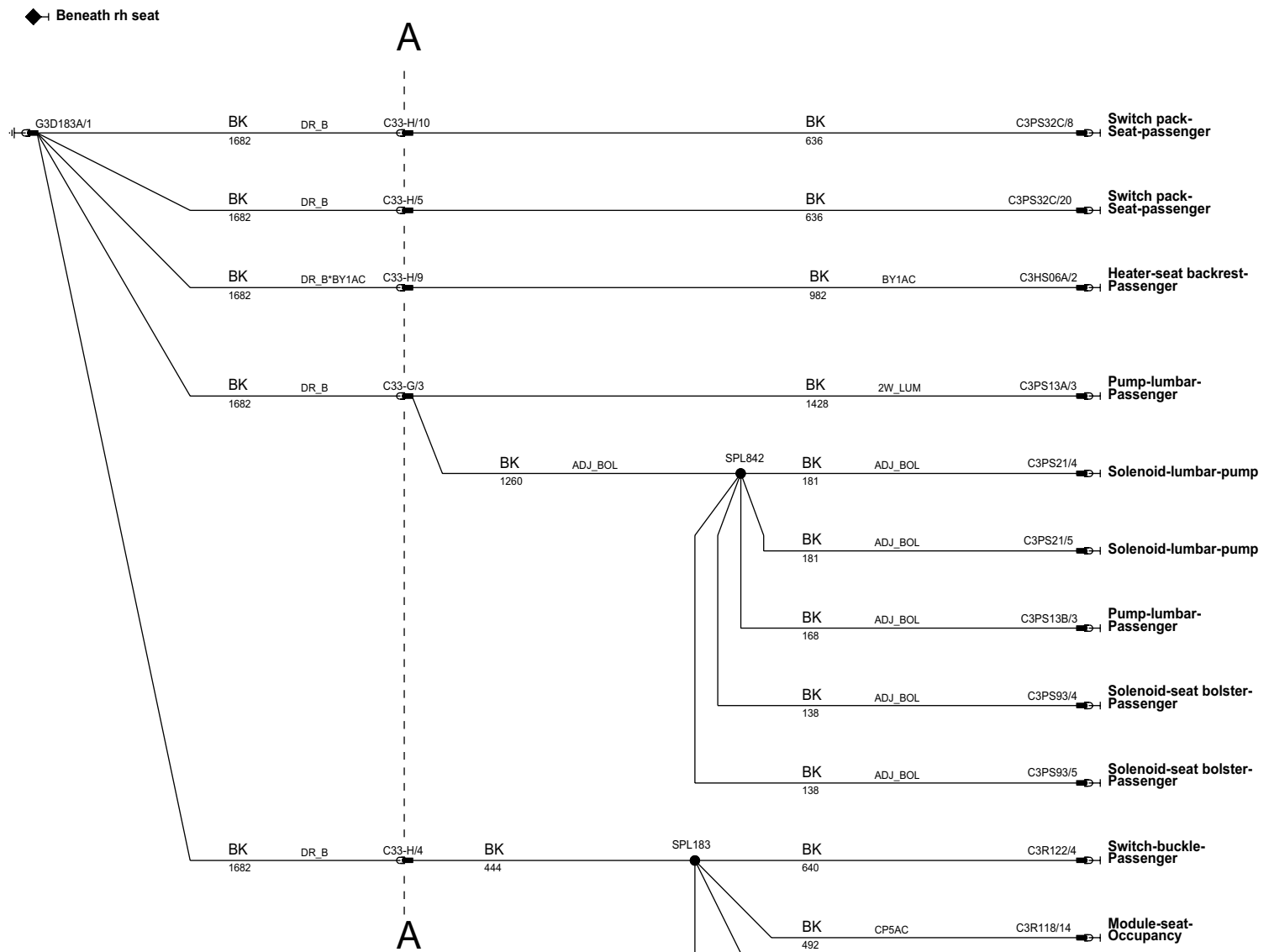
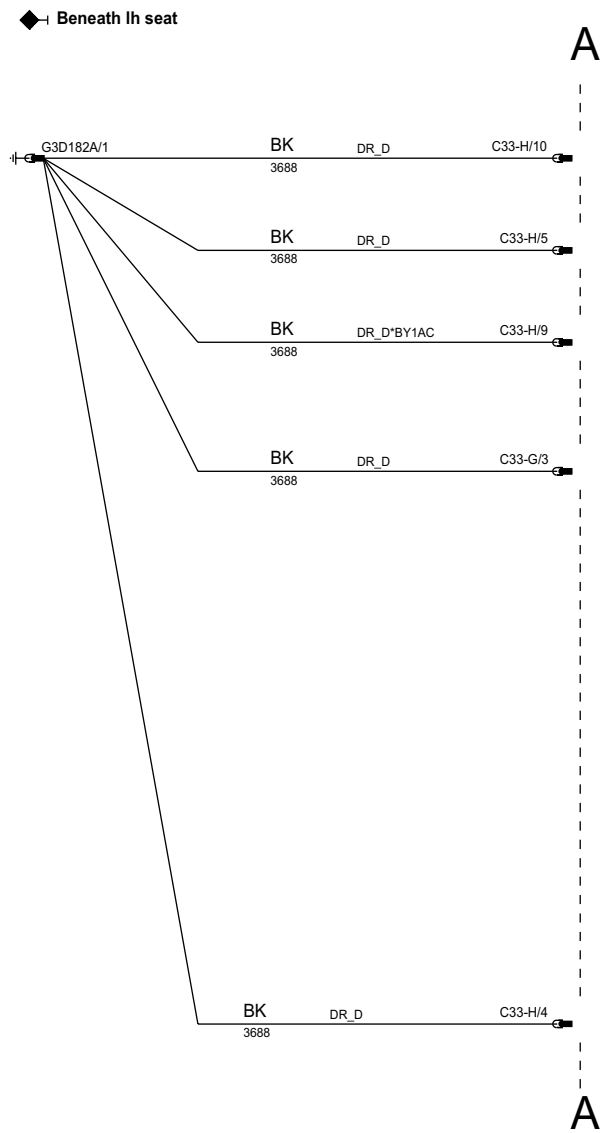
phar83-700124-ae



phar83-70012-g-ae

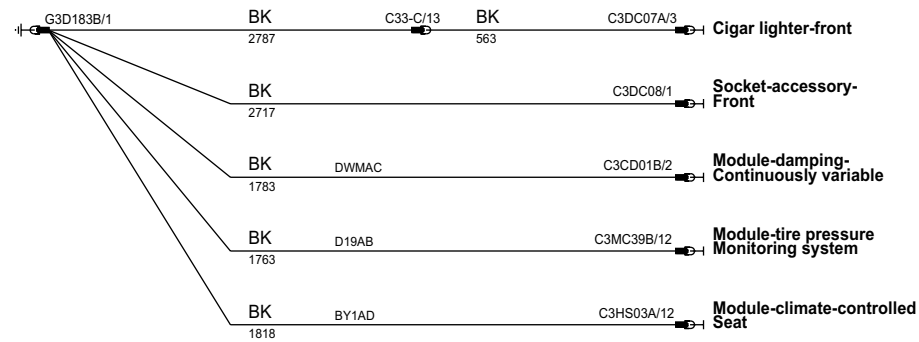


phar83-70012-h-ae

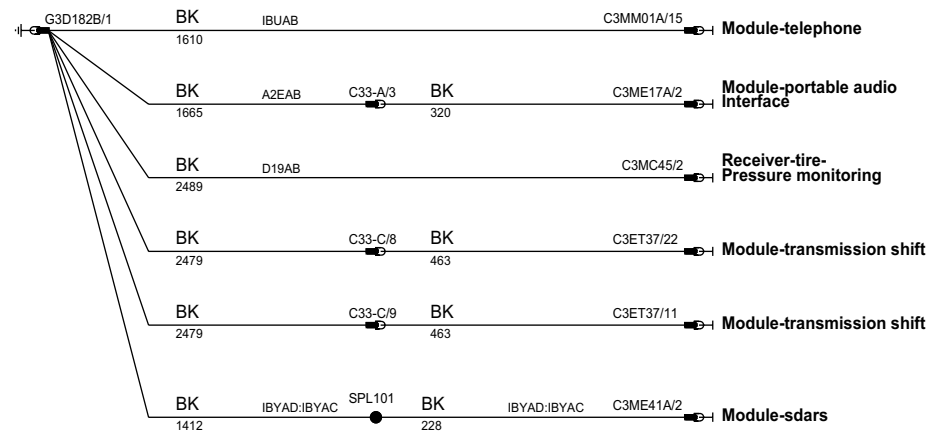


phar83-70012-j-ae

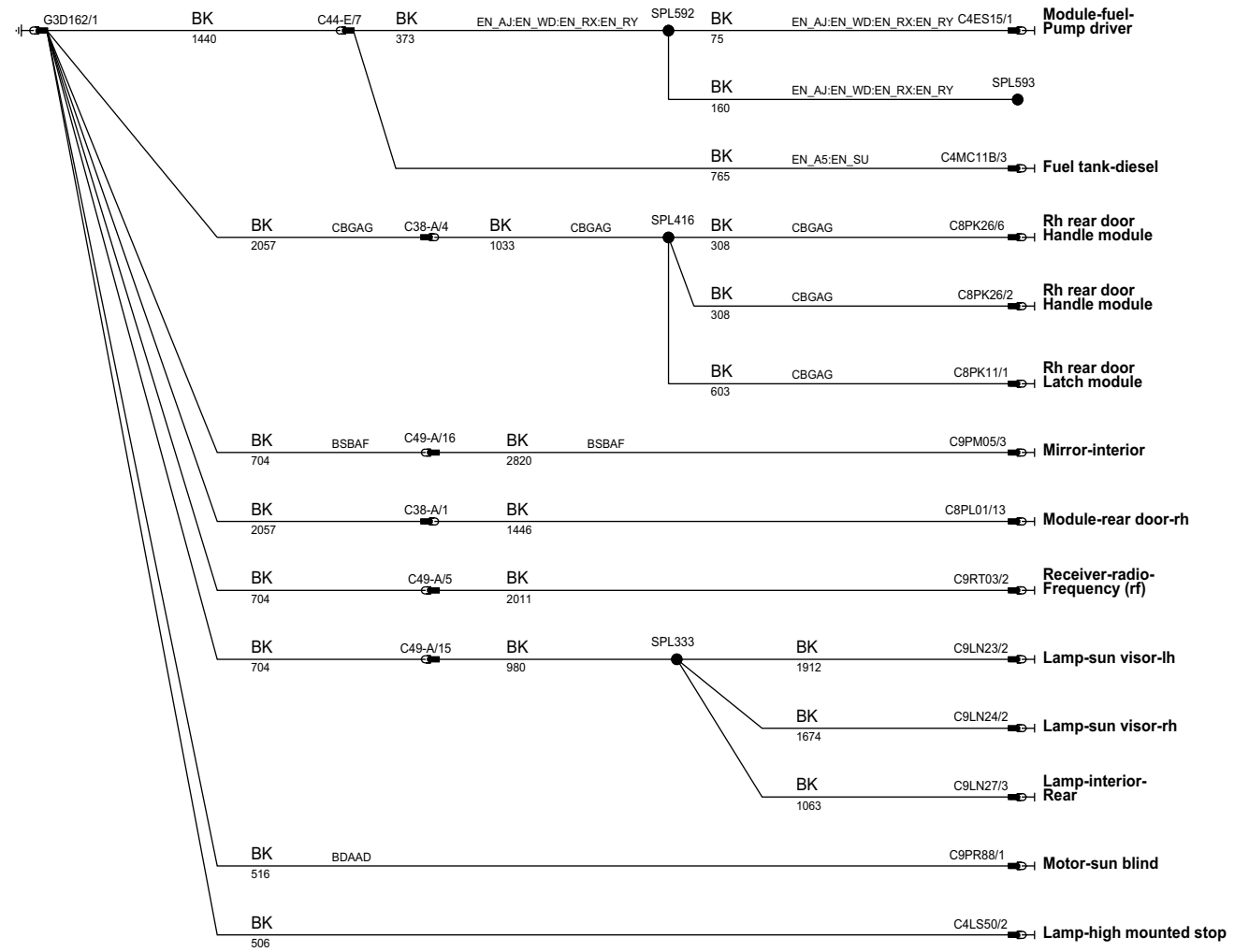
◆ Beneath rh seat



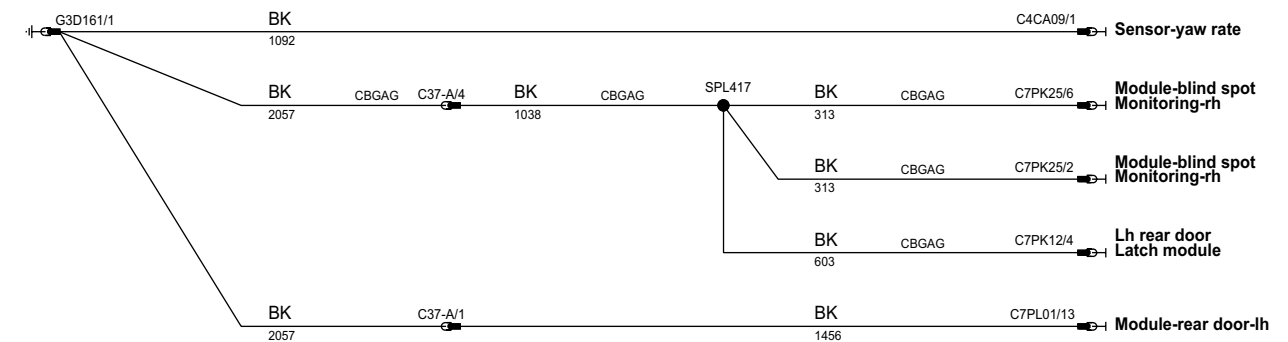
◆ Beneath lh seat



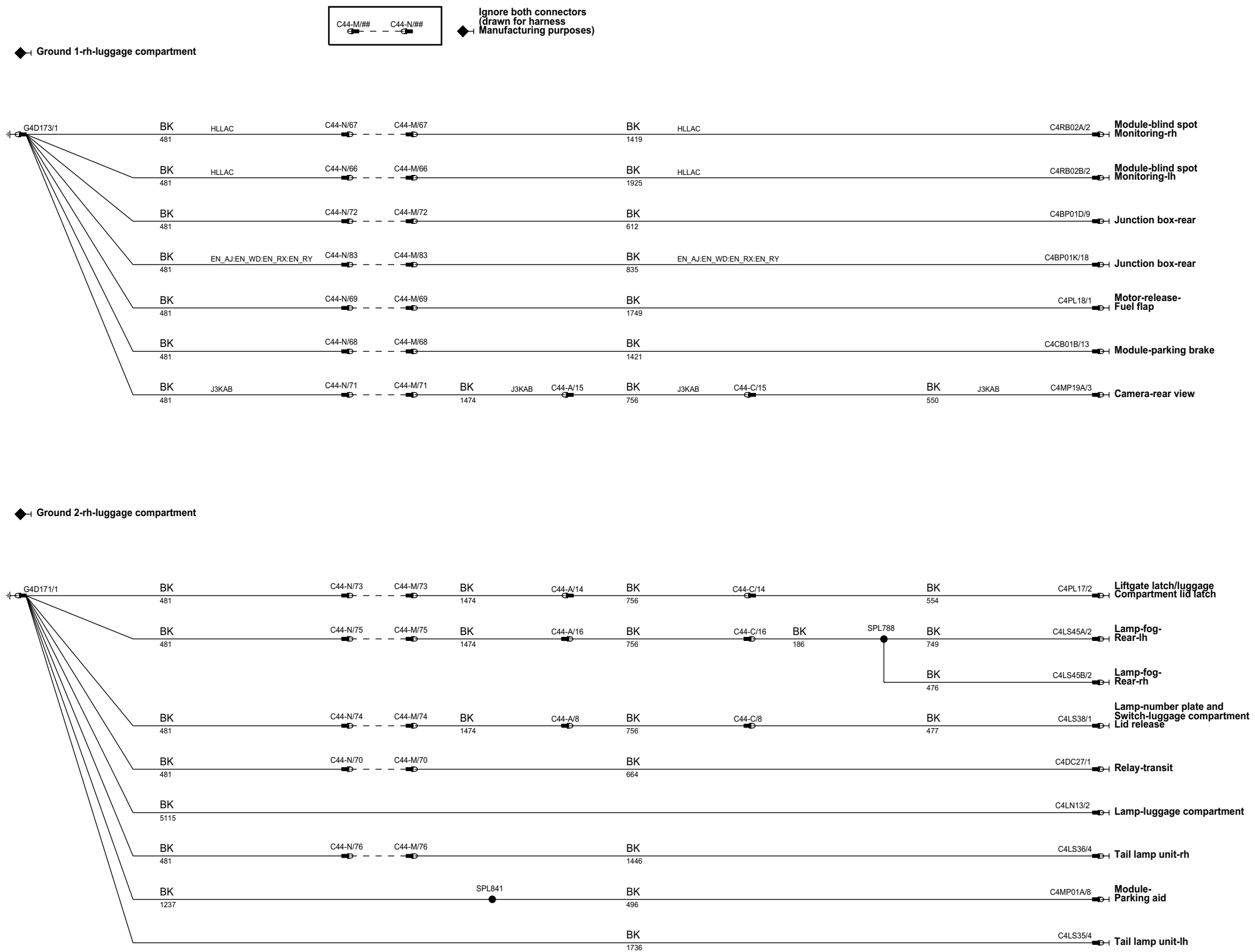
◆ Seatback-rear-rh



◆ Seatback-rear-rh

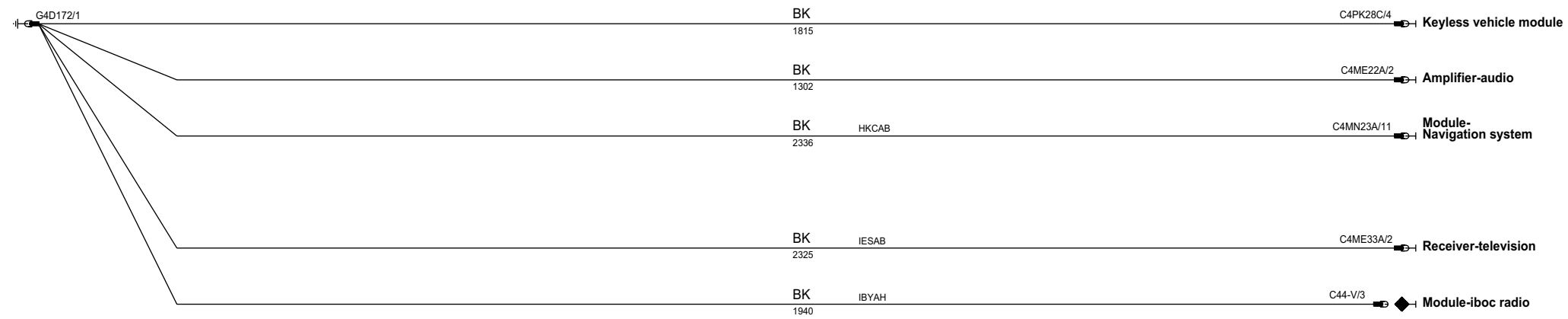


phar83-70012-k-ae



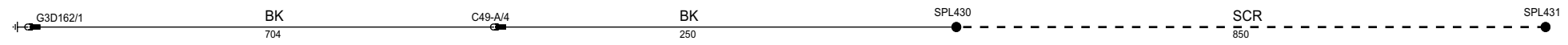
phar83-70012+ae

◆ Ground 1-lh-luggage compartment

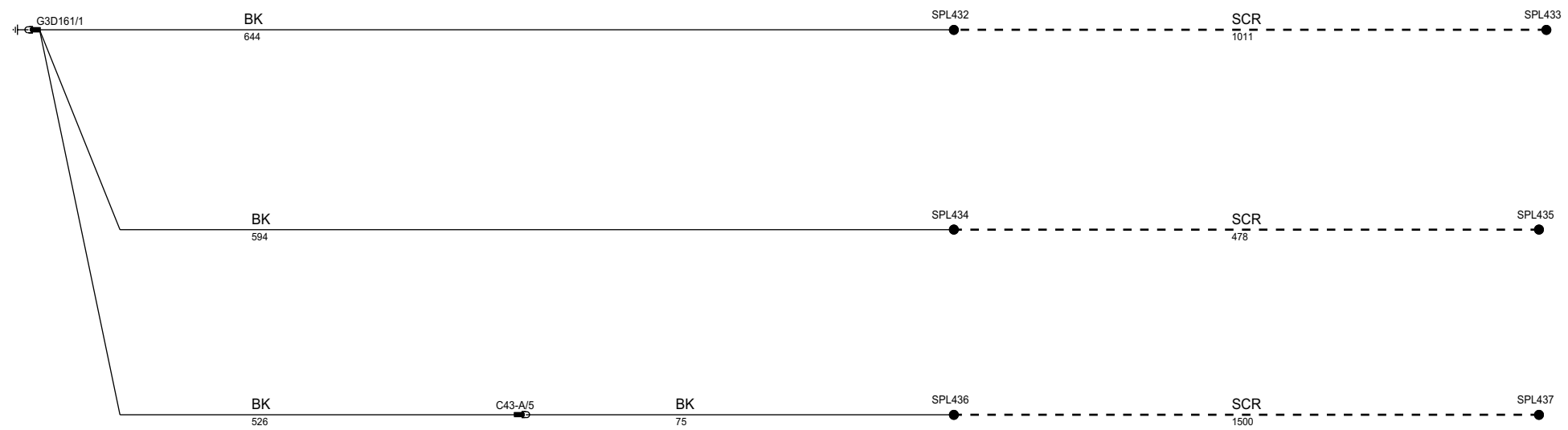


phar83-70012-m-ae

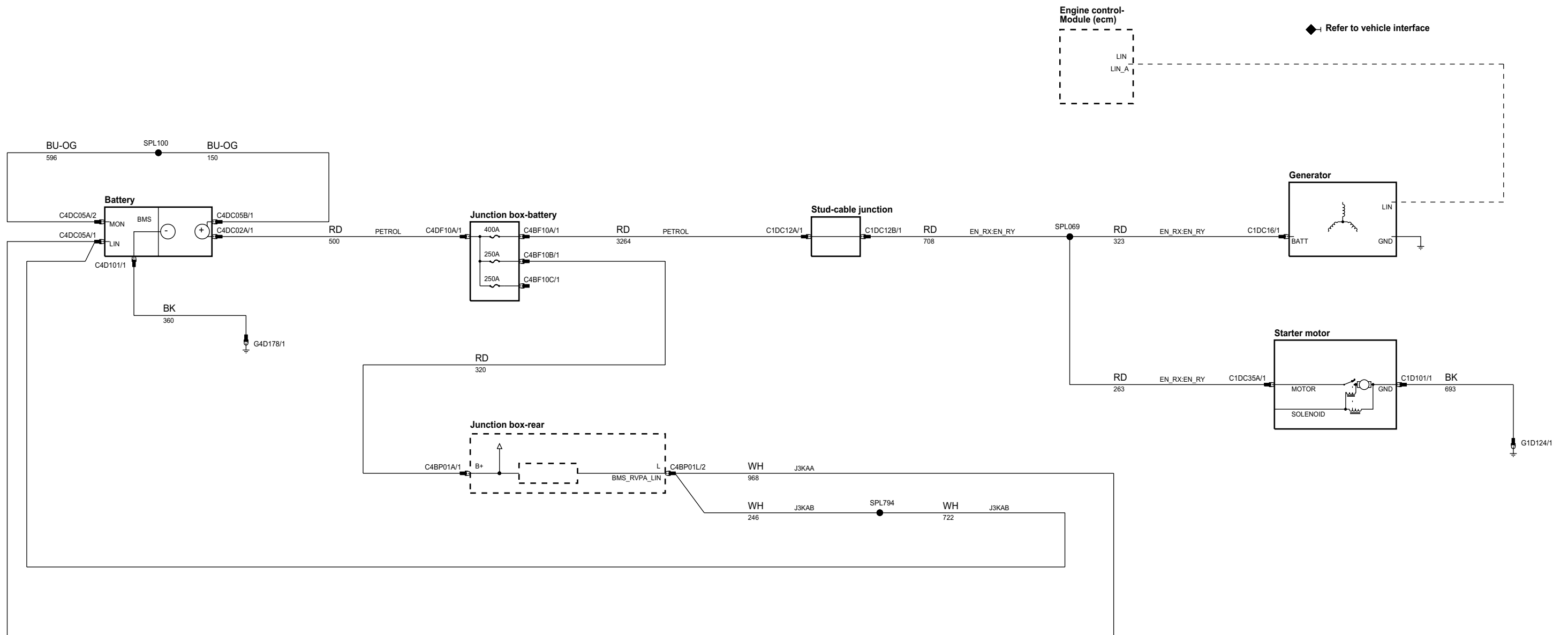
◆ Seatback-rear-rh



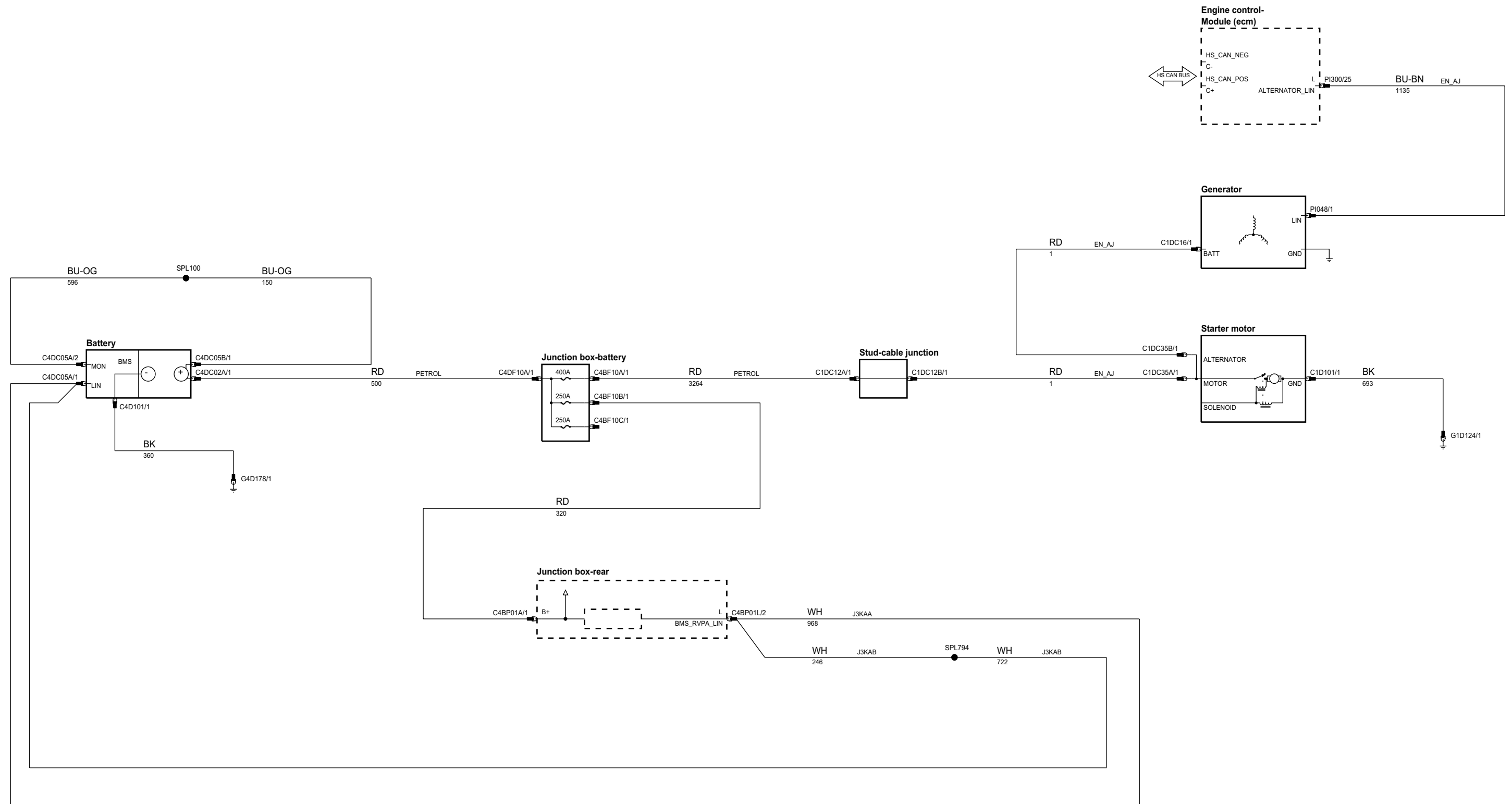
◆ Seatback-rear-lh



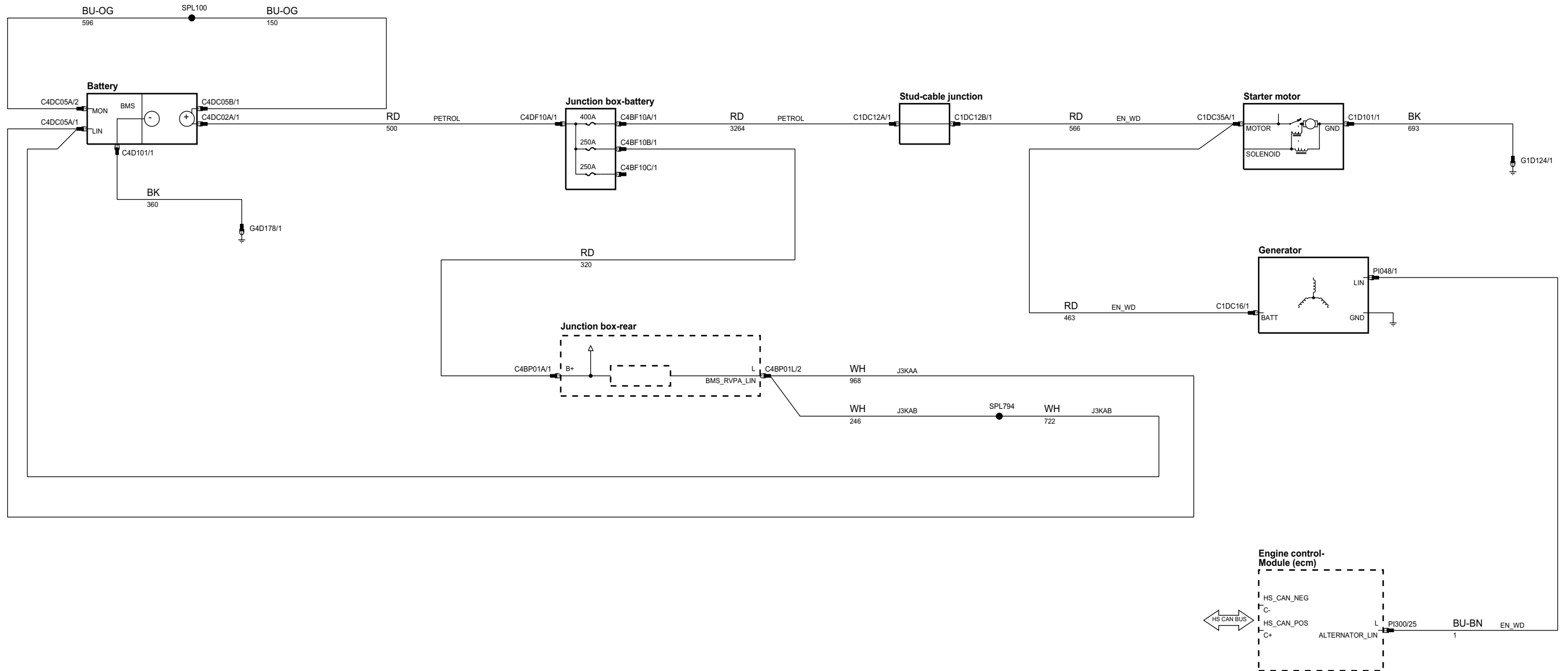
pha83-70022-b-ae



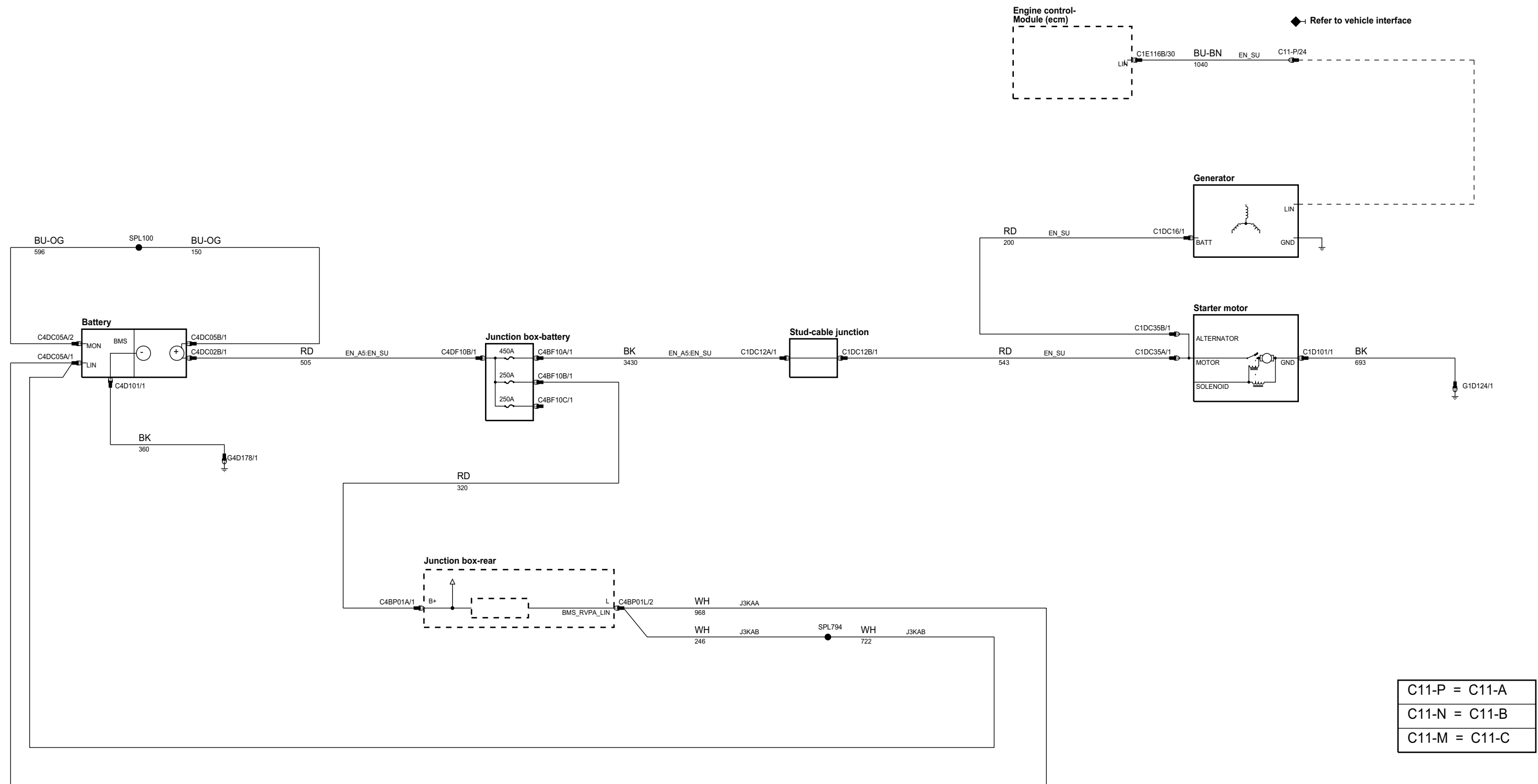
phar83-70022-a-ae



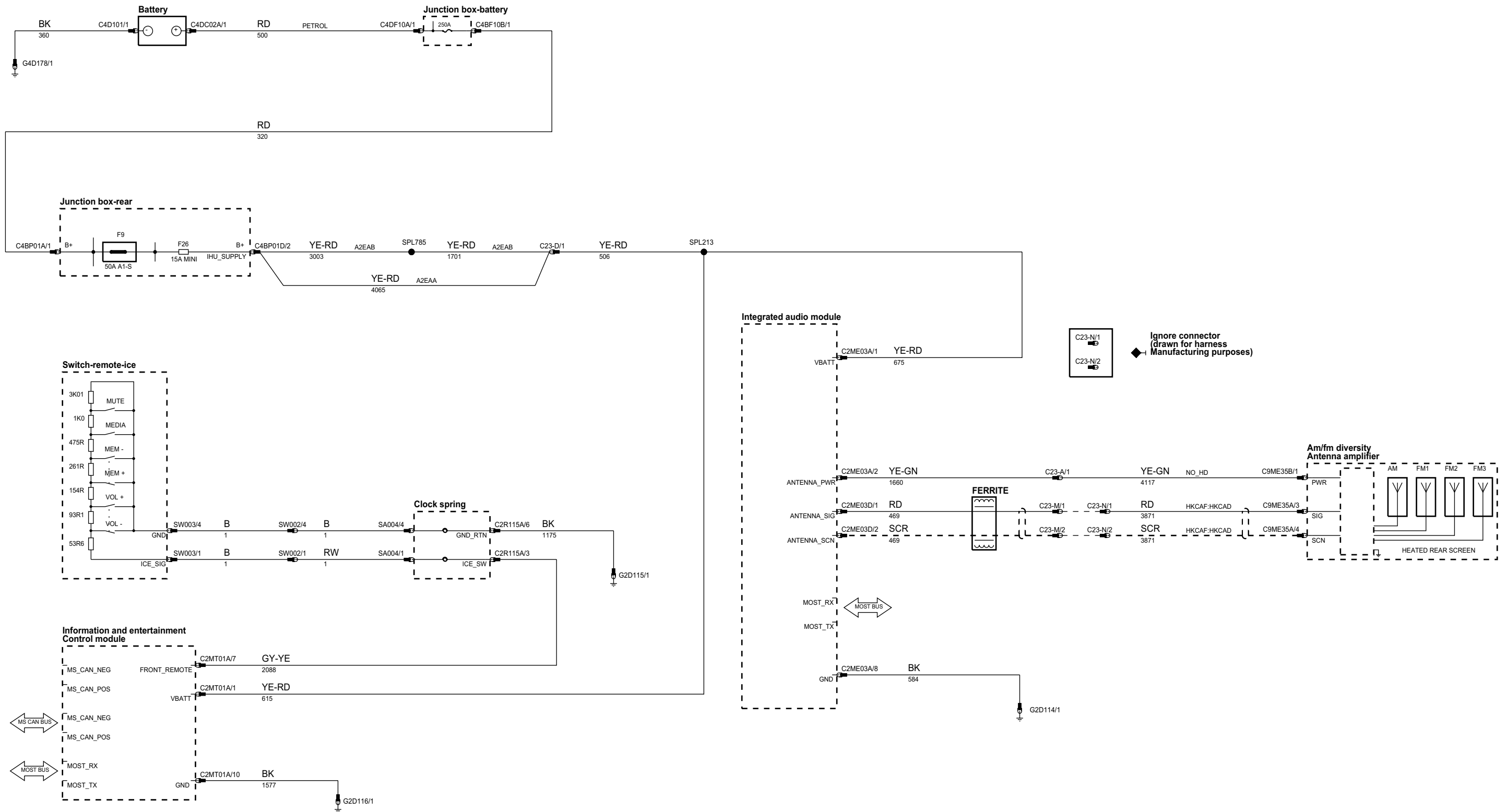
phar83-70022-c-ae



phar83-70022-d2-ae

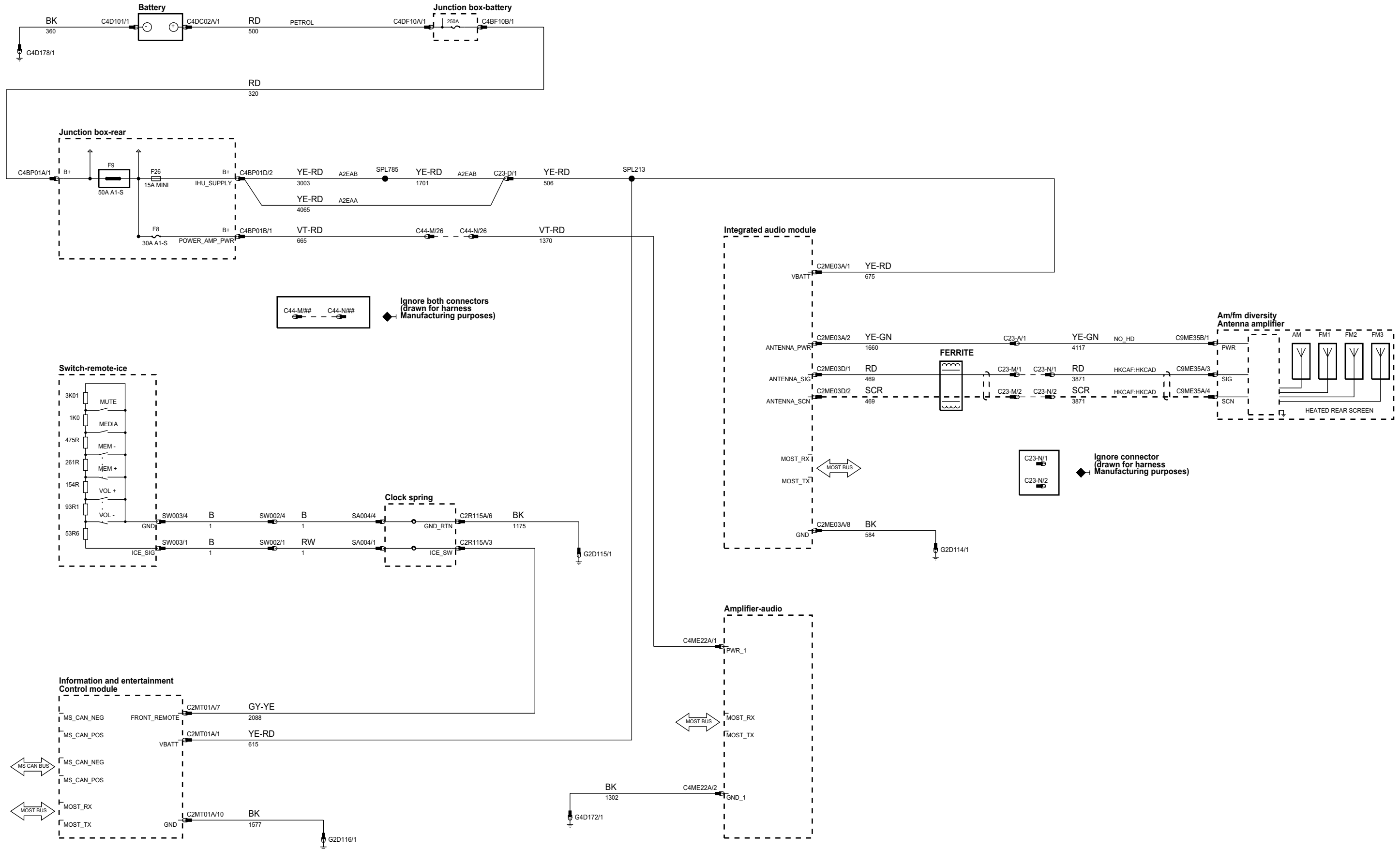


phar83-70441-a-ae

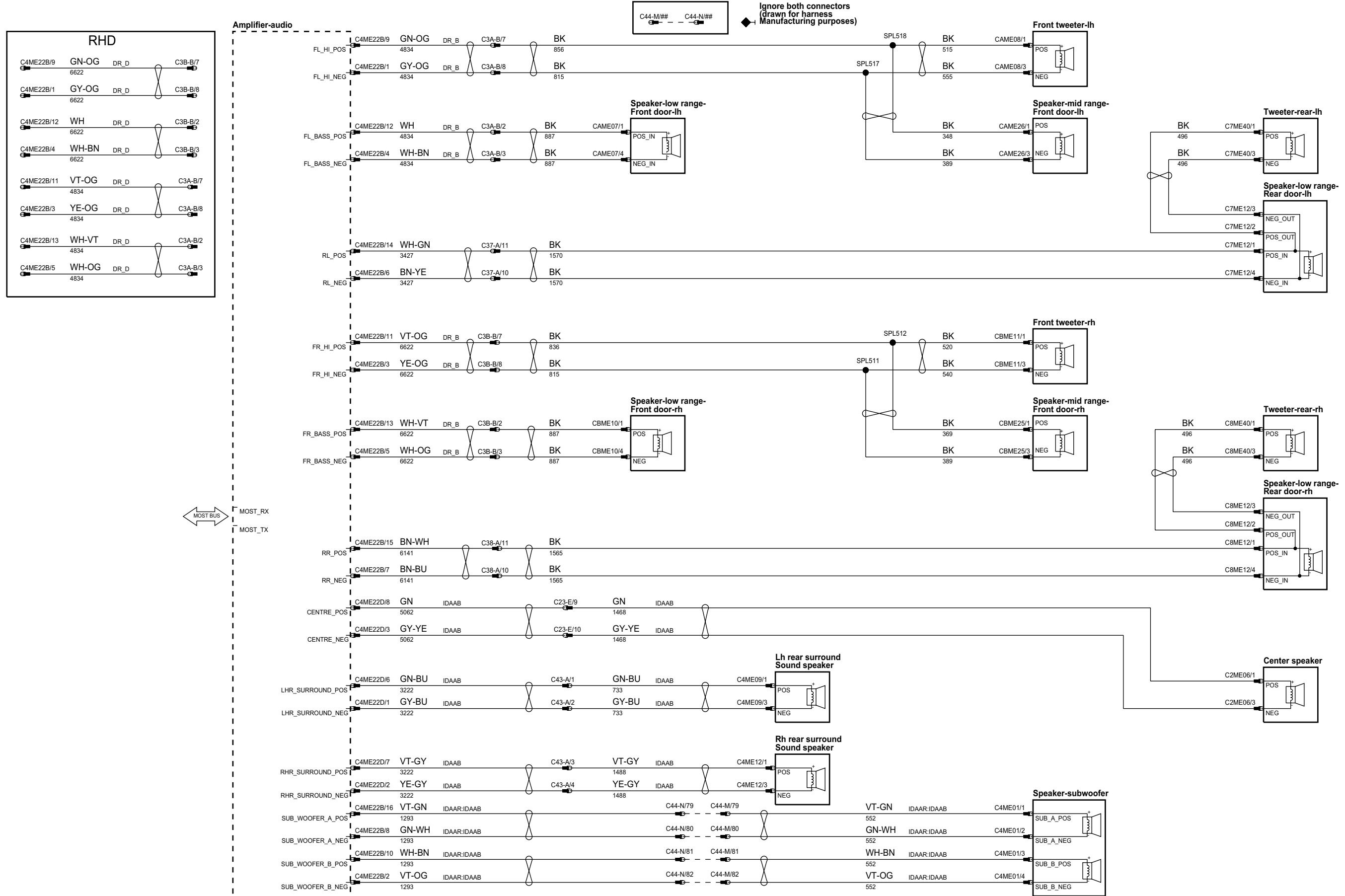


Ignore connector (drawn for harness Manufacturing purposes)

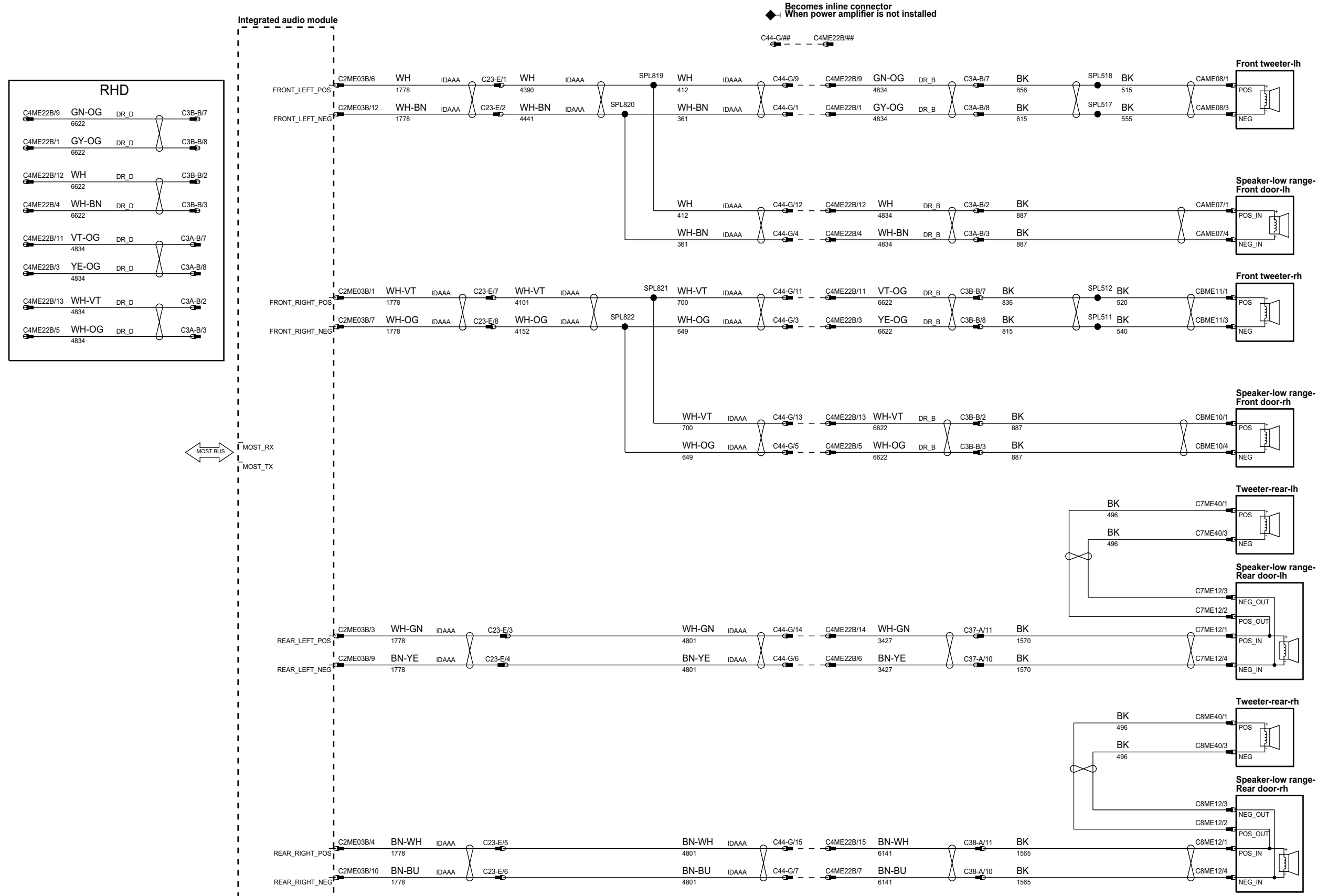
phar83-70441-b-ae



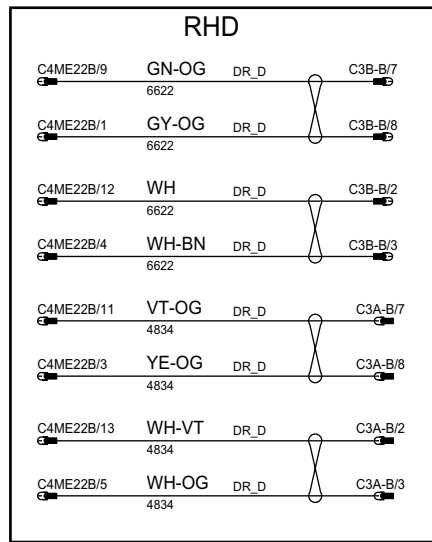
phar83-70441-c-ae



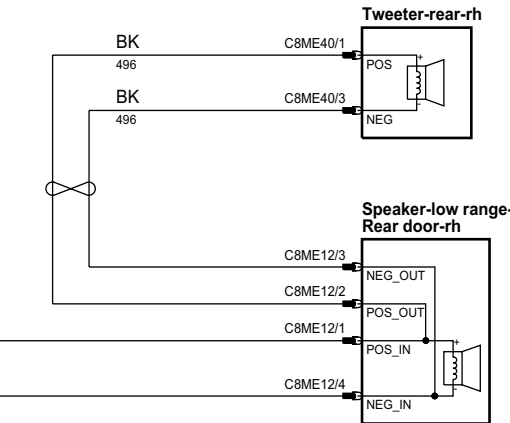
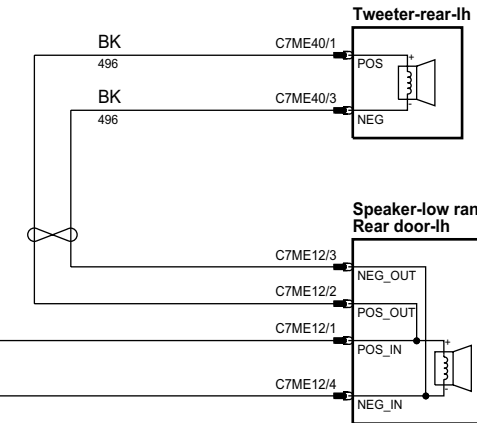
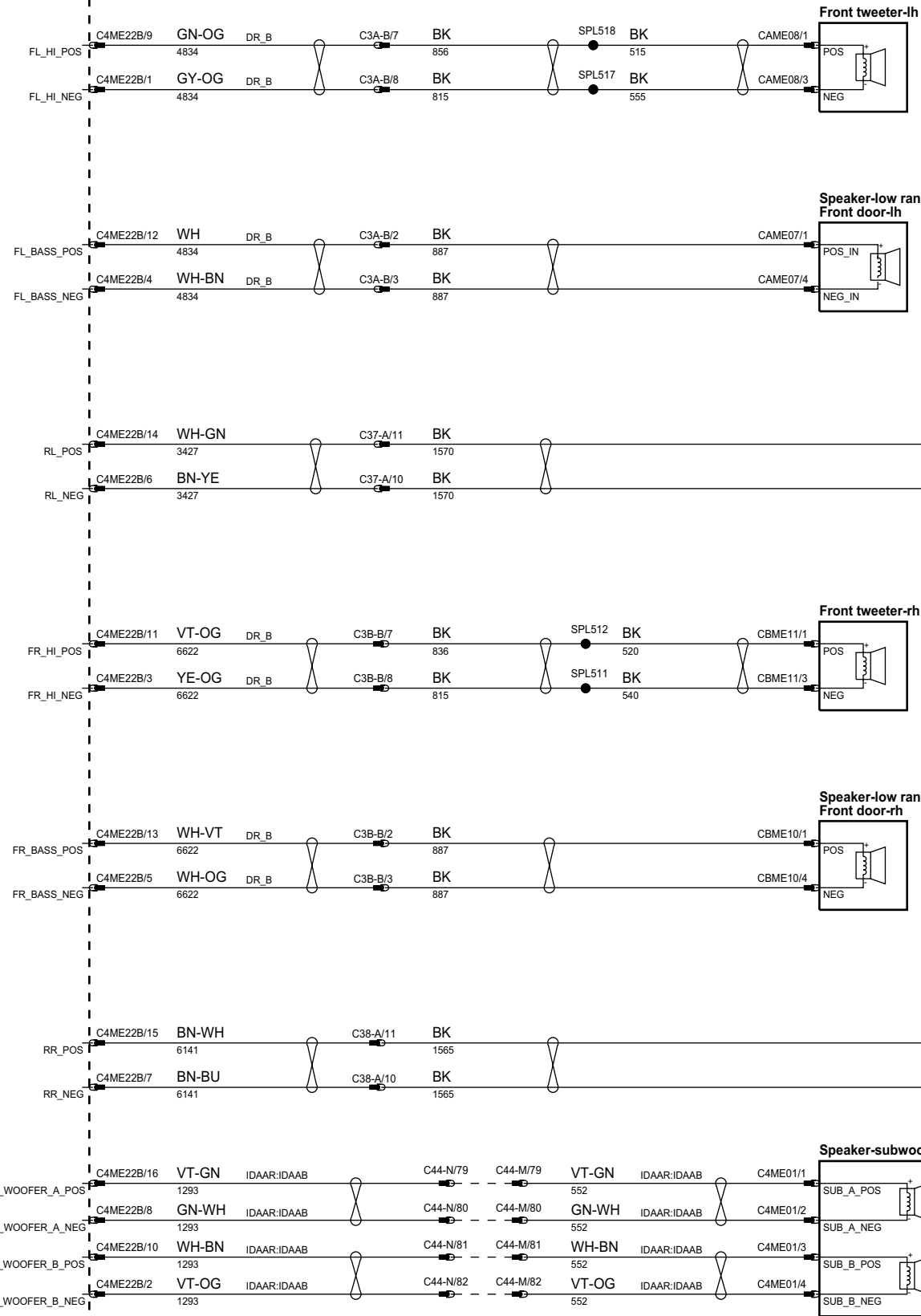
phar83-70441-5-ae



phar83-70441-e-ae

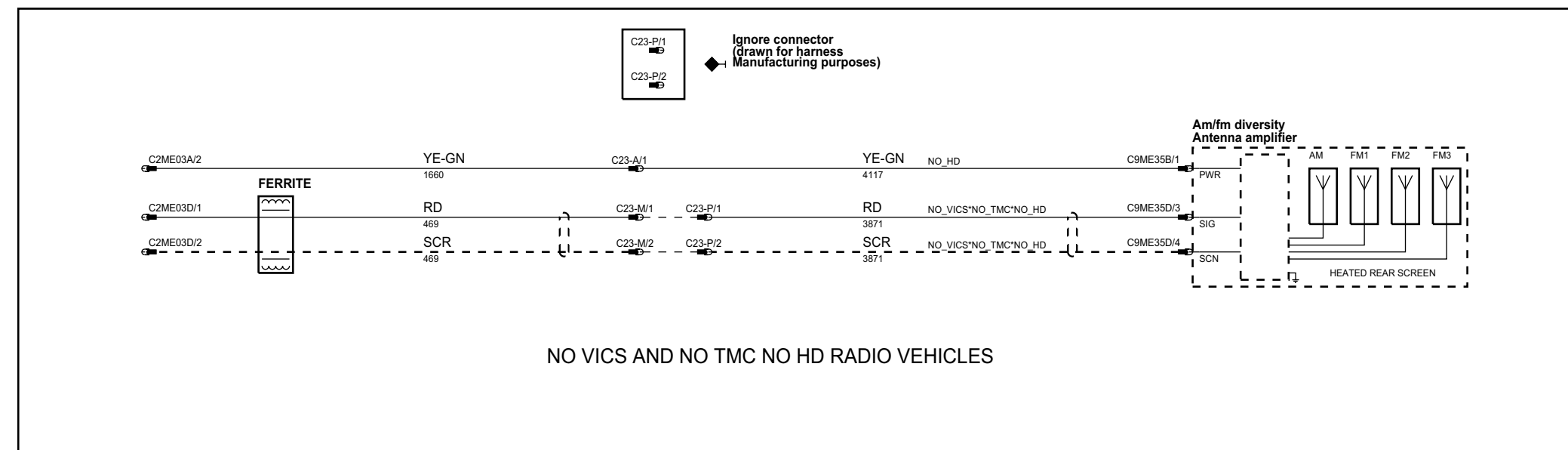
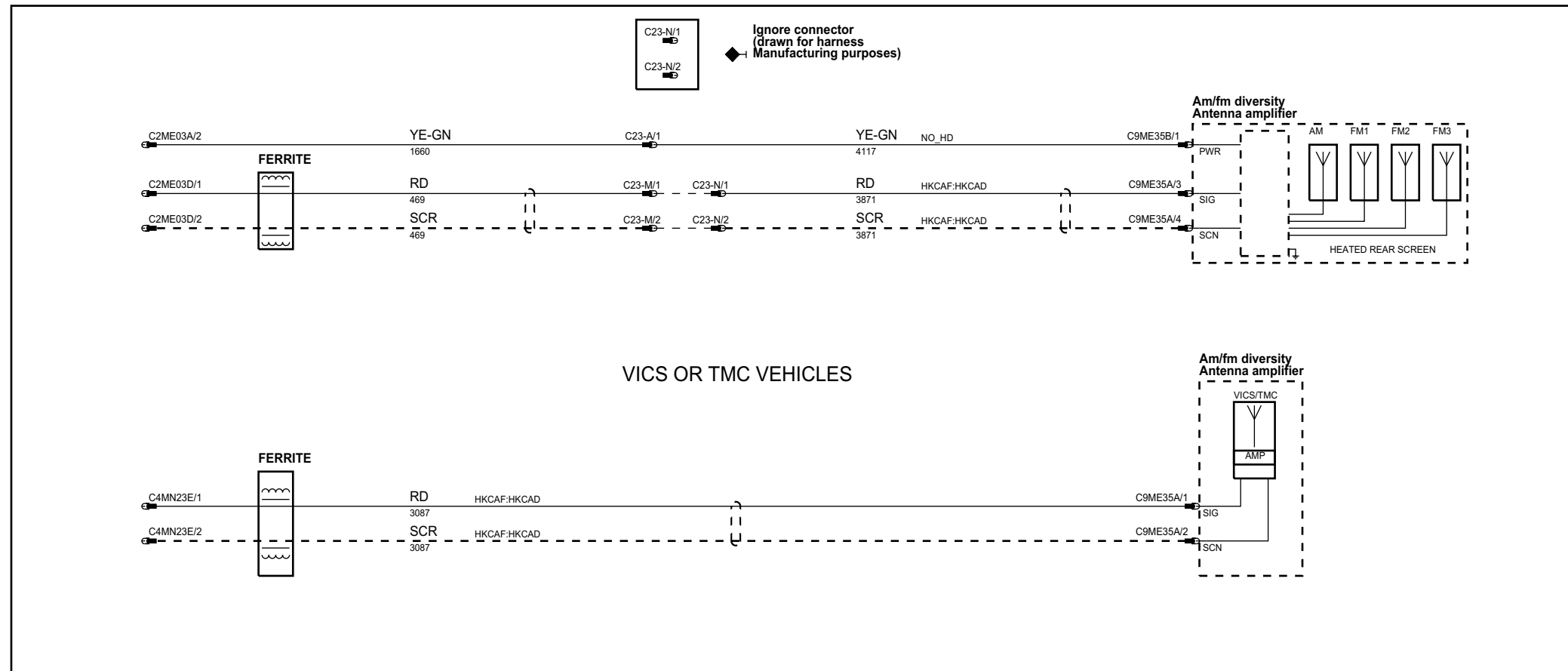


Amplifier-audio

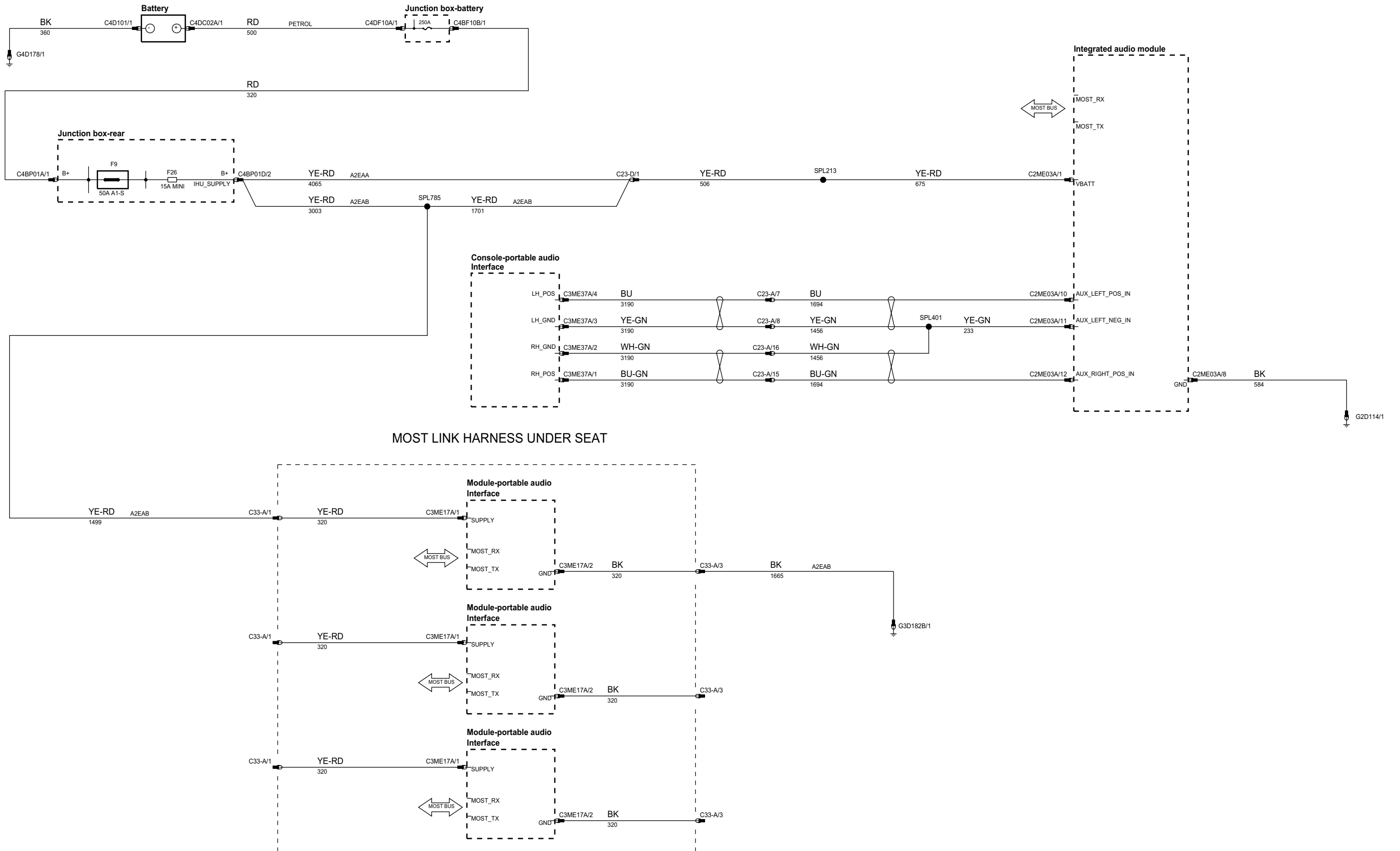


C44-M/### C44-N/###
 Ignore both connectors (drawn for harness manufacturing purposes)

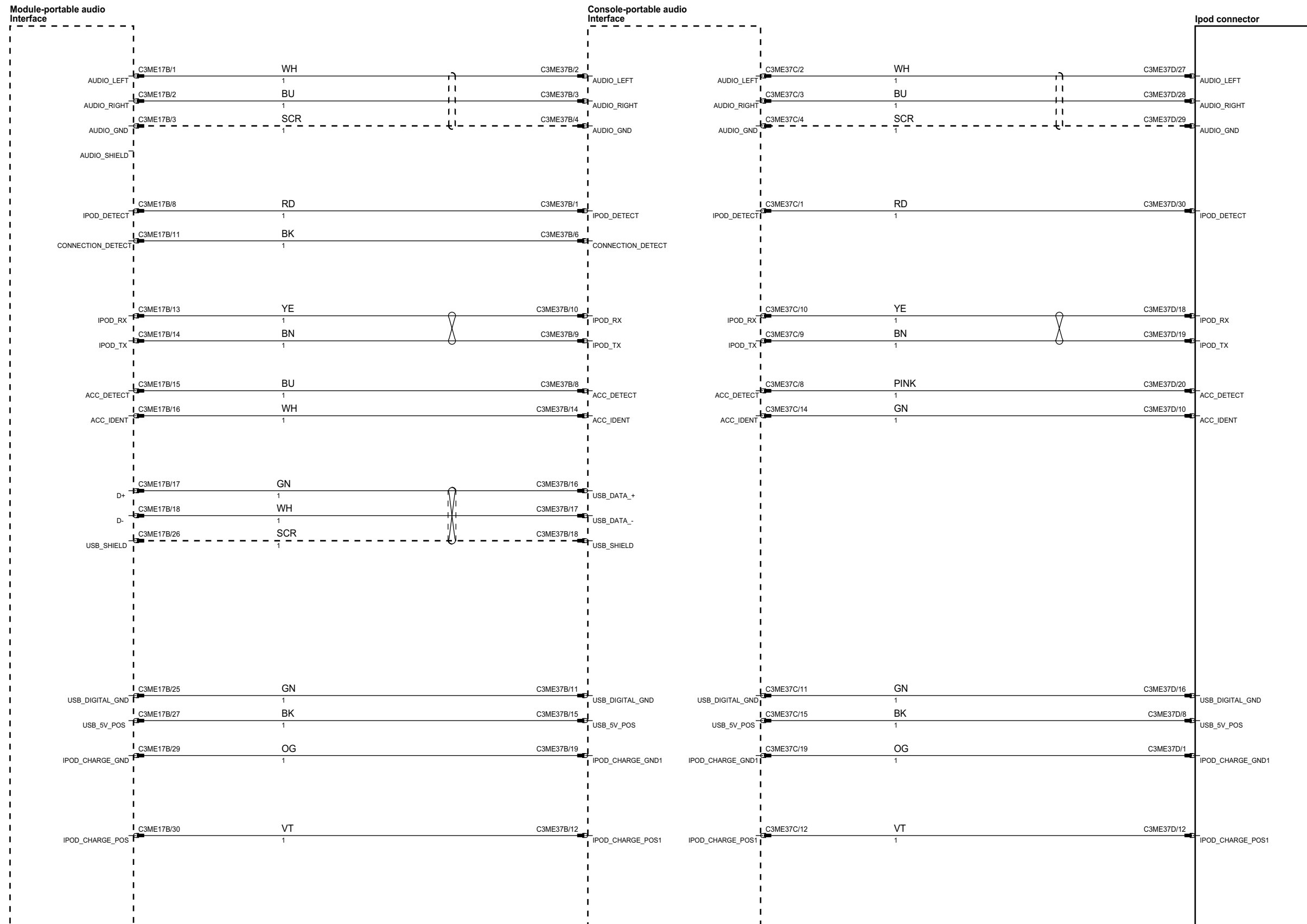
phar83-70442-a-ae



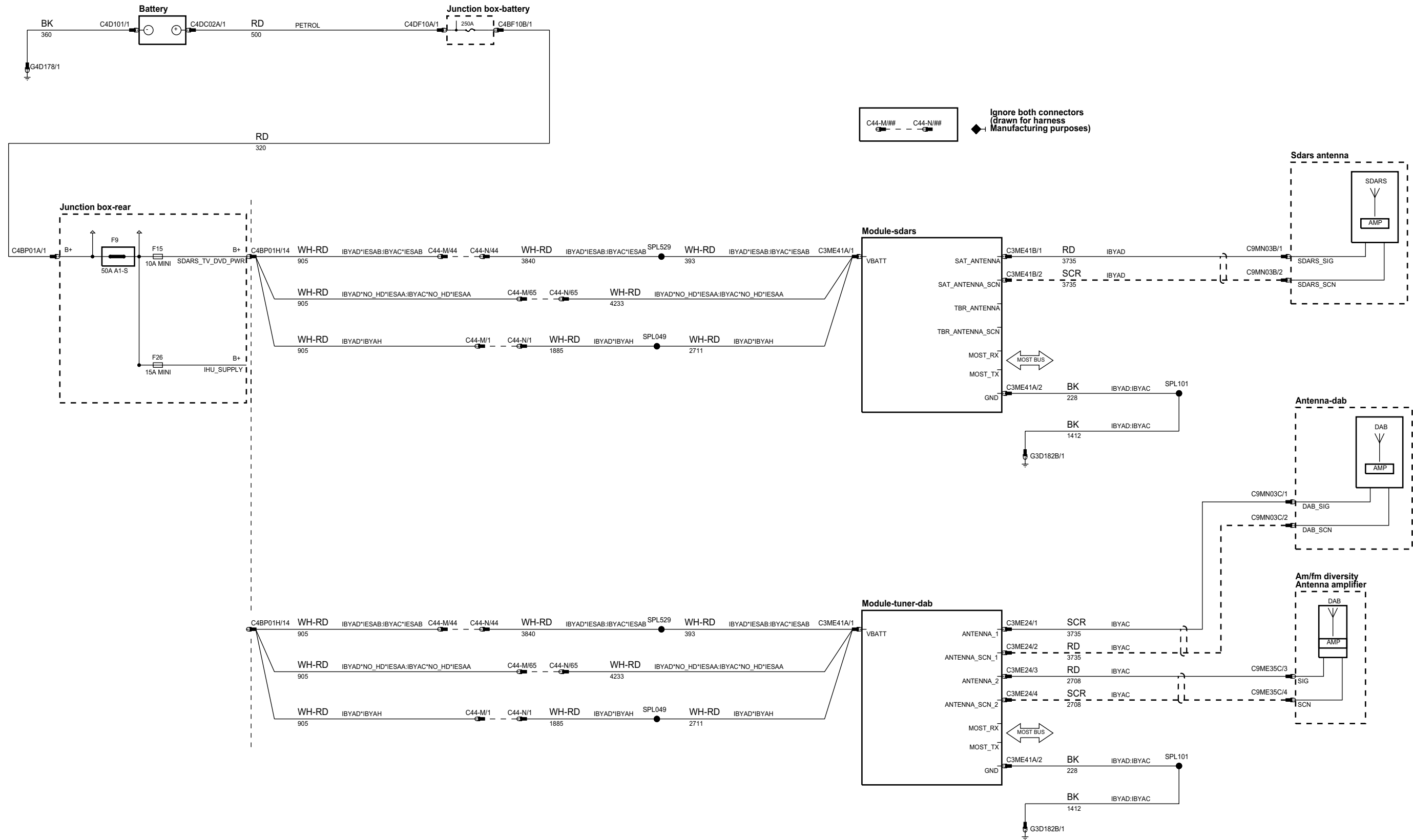
phar83-70445-a-ae



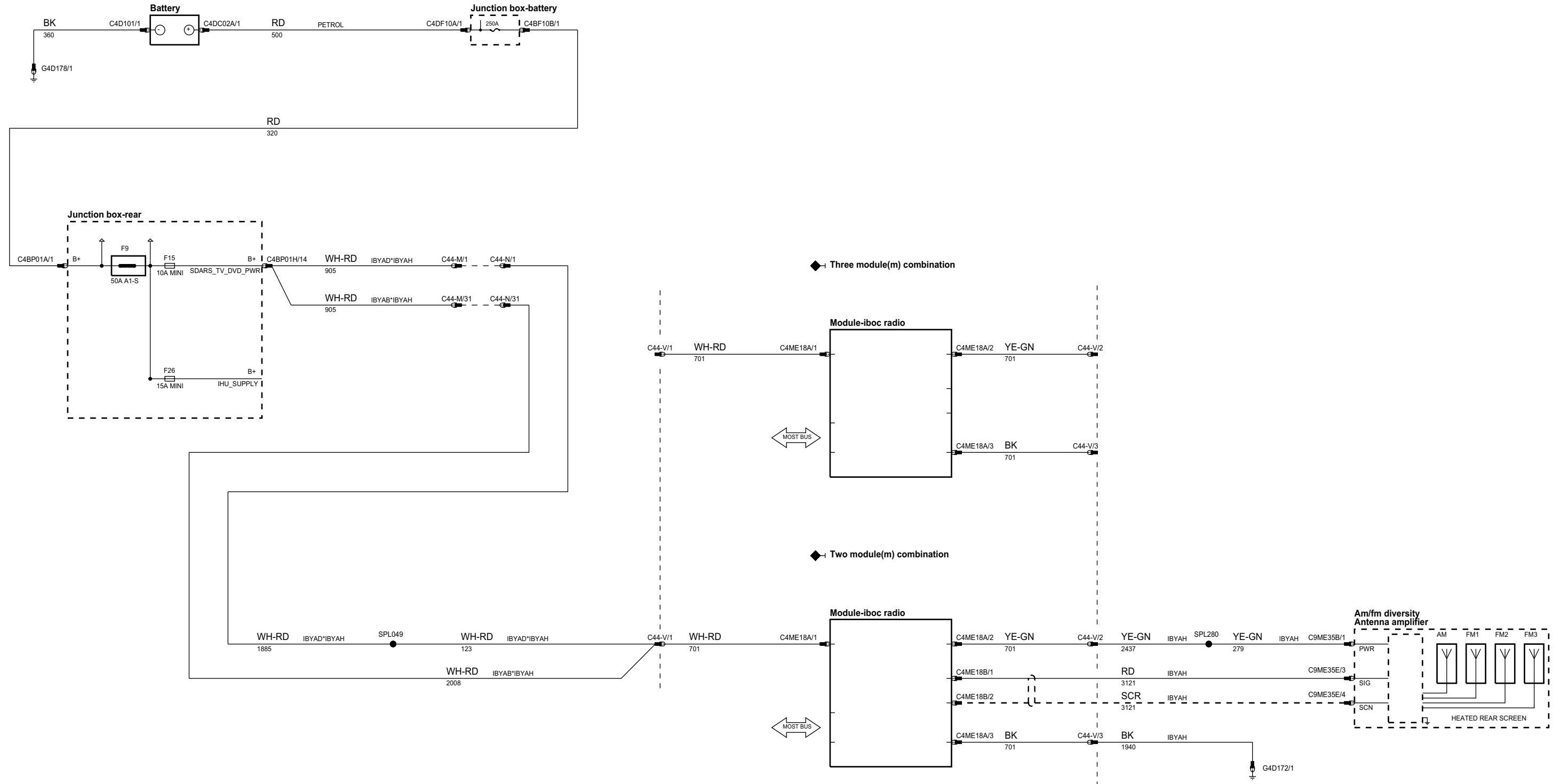
phar83-70445-b-ae



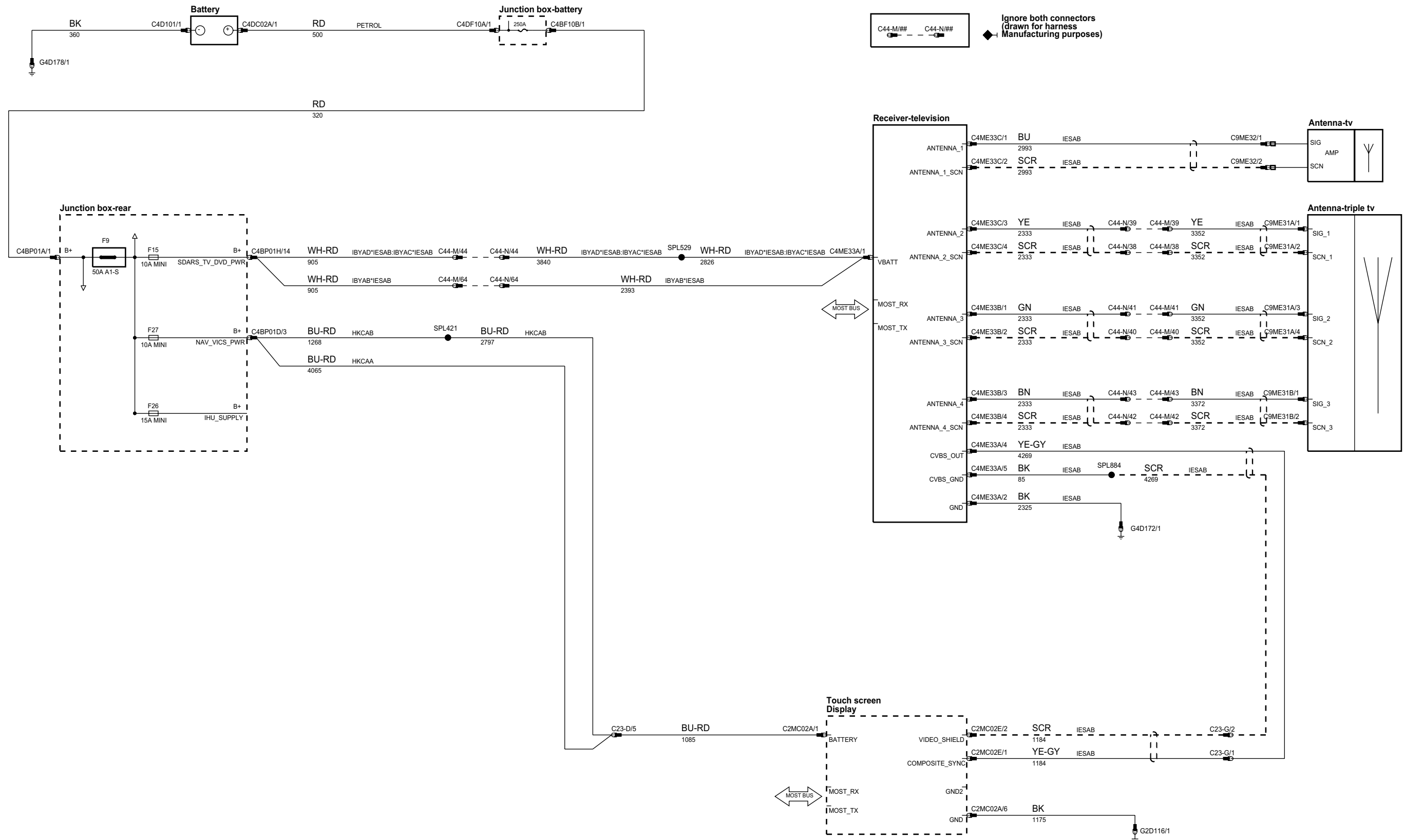
phar83-70447-a-ae



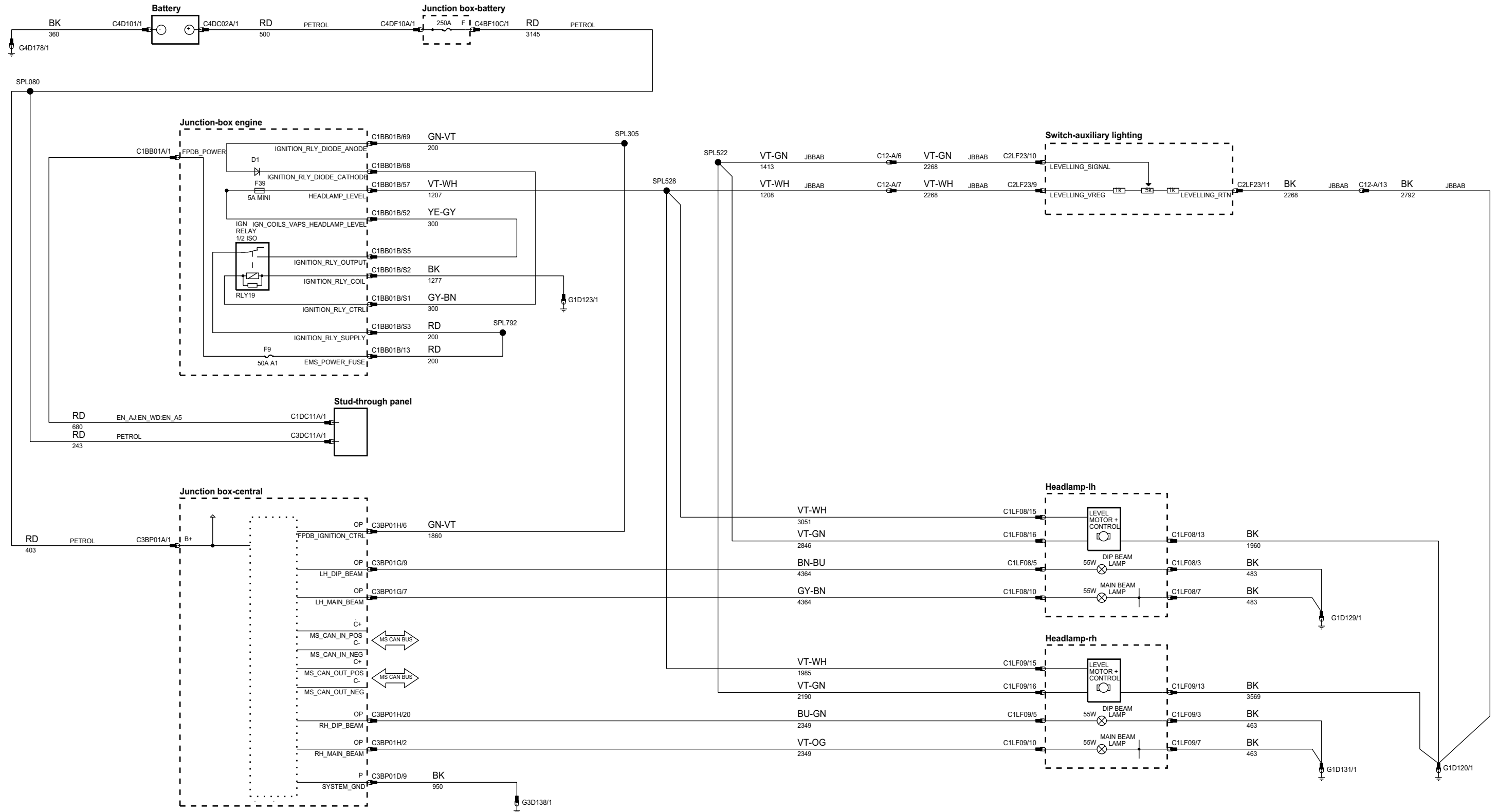
phar83-70449-a-ae



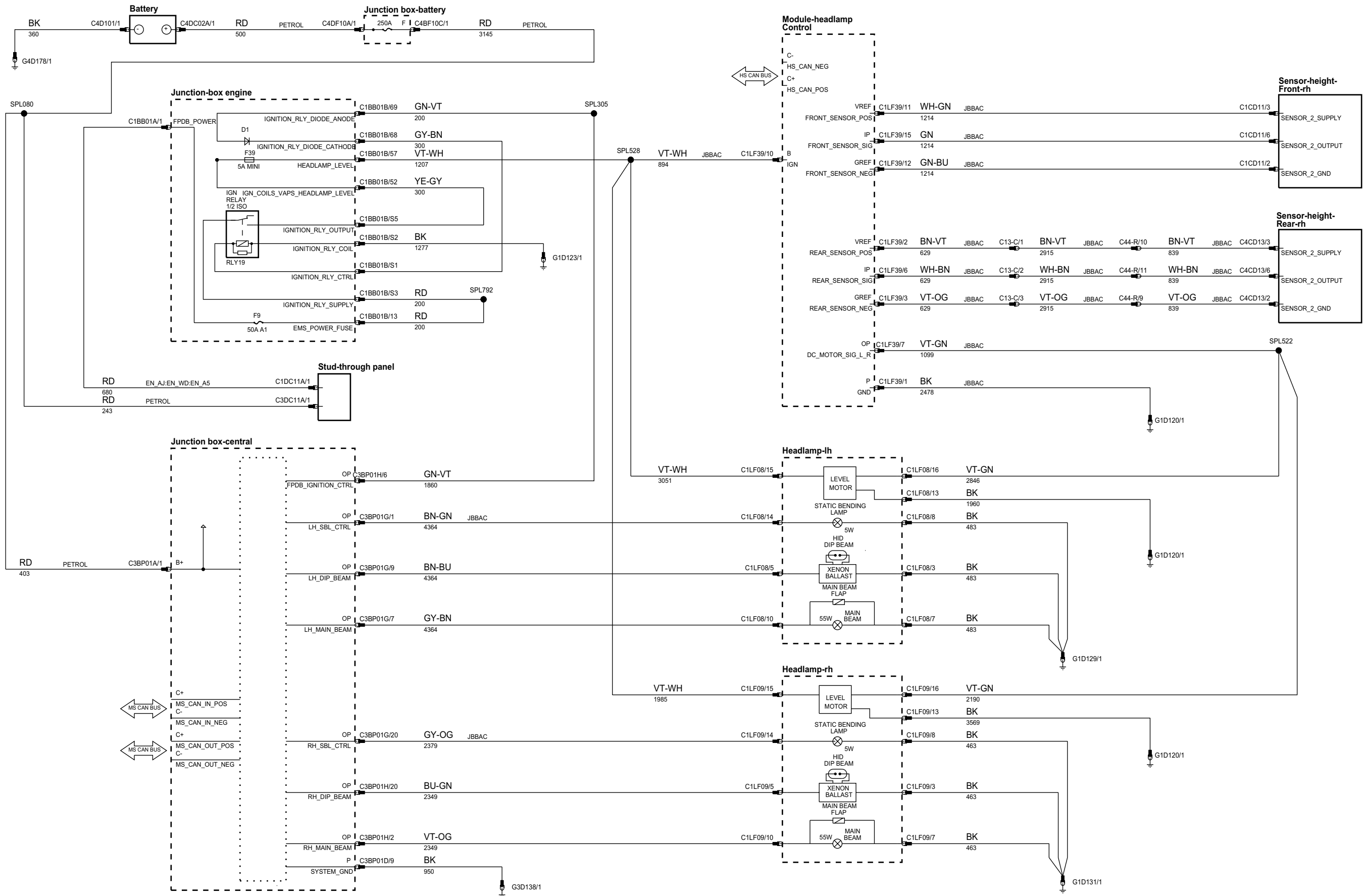
phar83-70456-a-ae



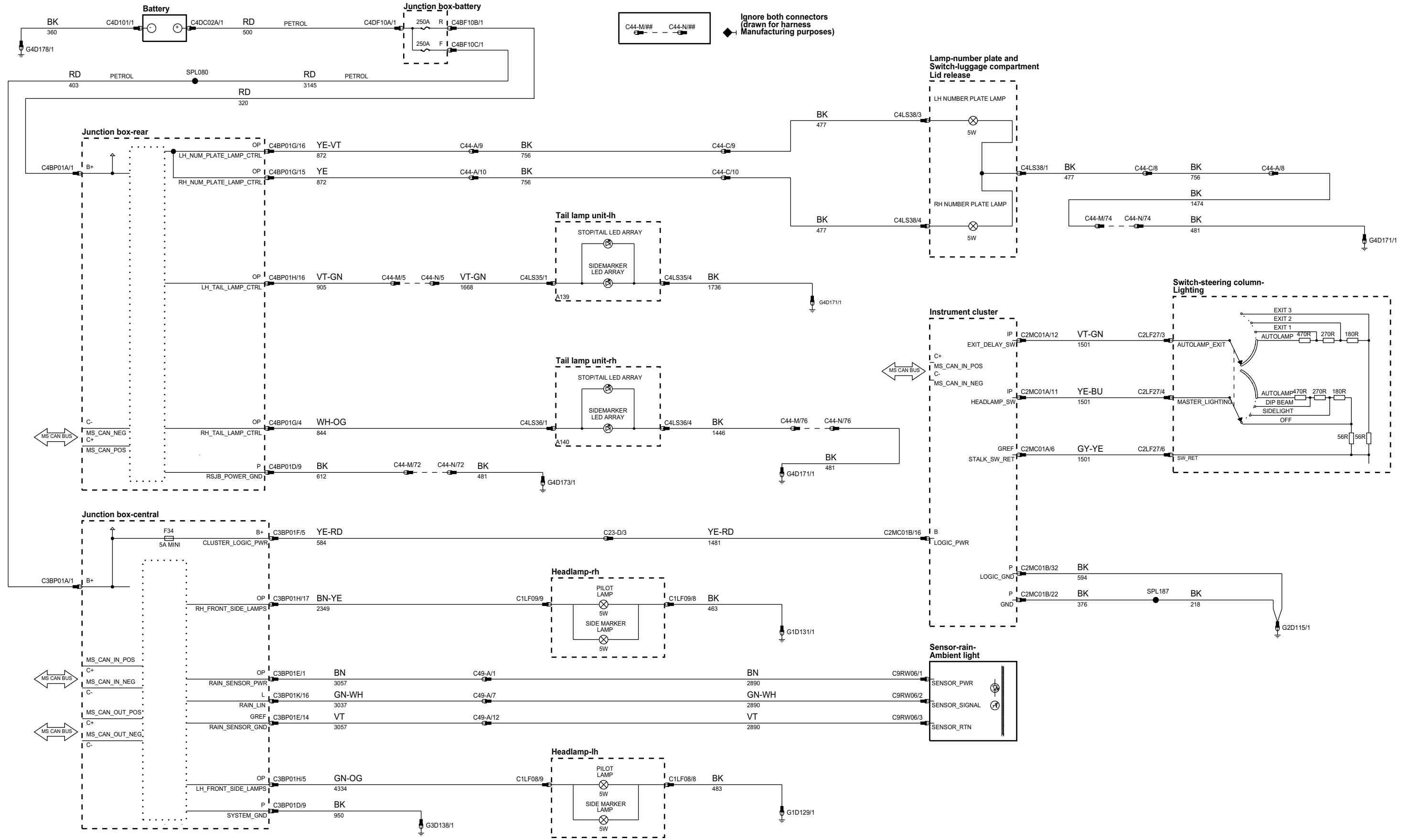
phar83-70061-a-ae



phar83-70061-b-ae



phar83-70086-a-ae



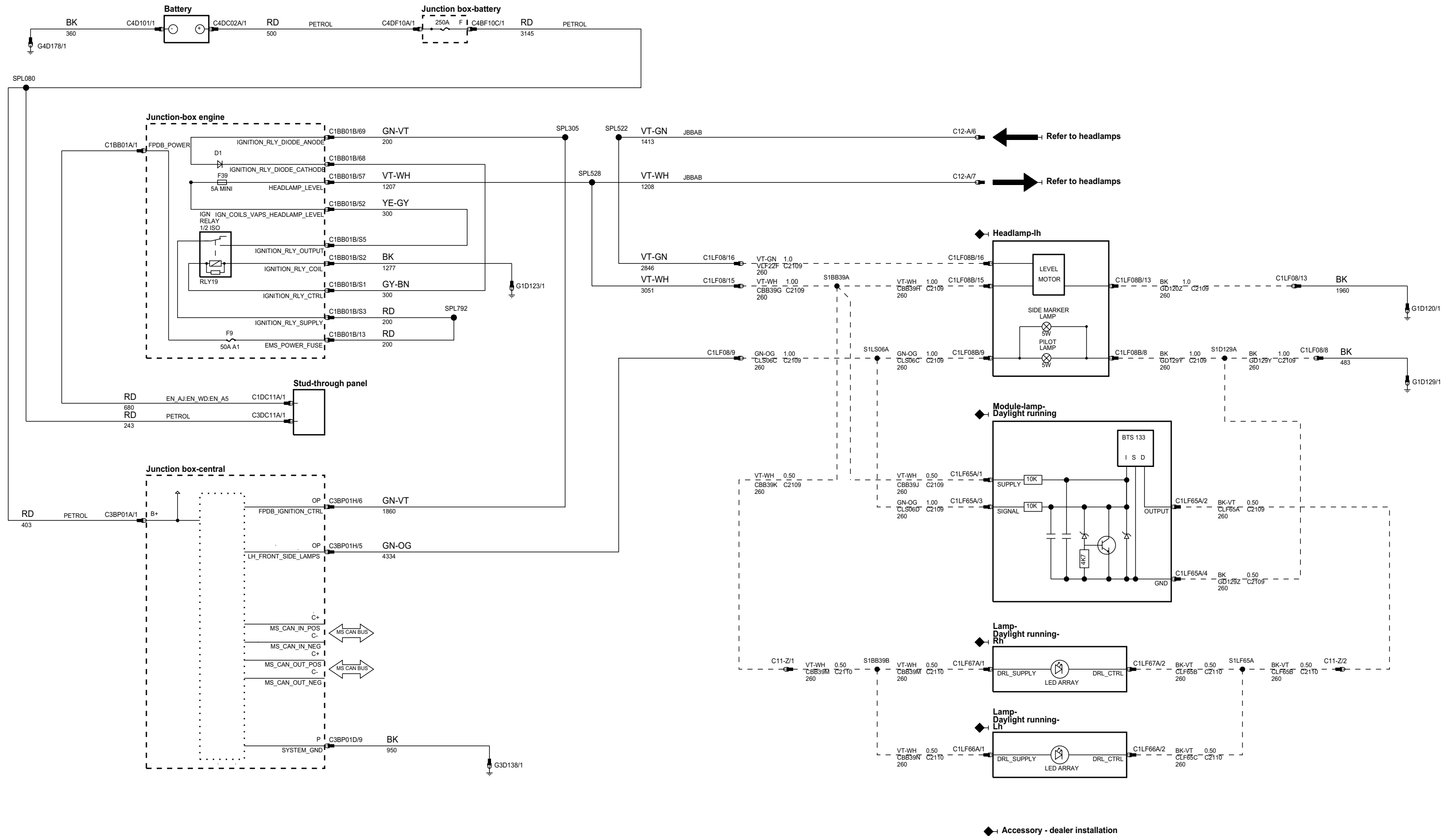
Ignore both connectors (drawn for harness manufacturing purposes)

MS CAN BUS

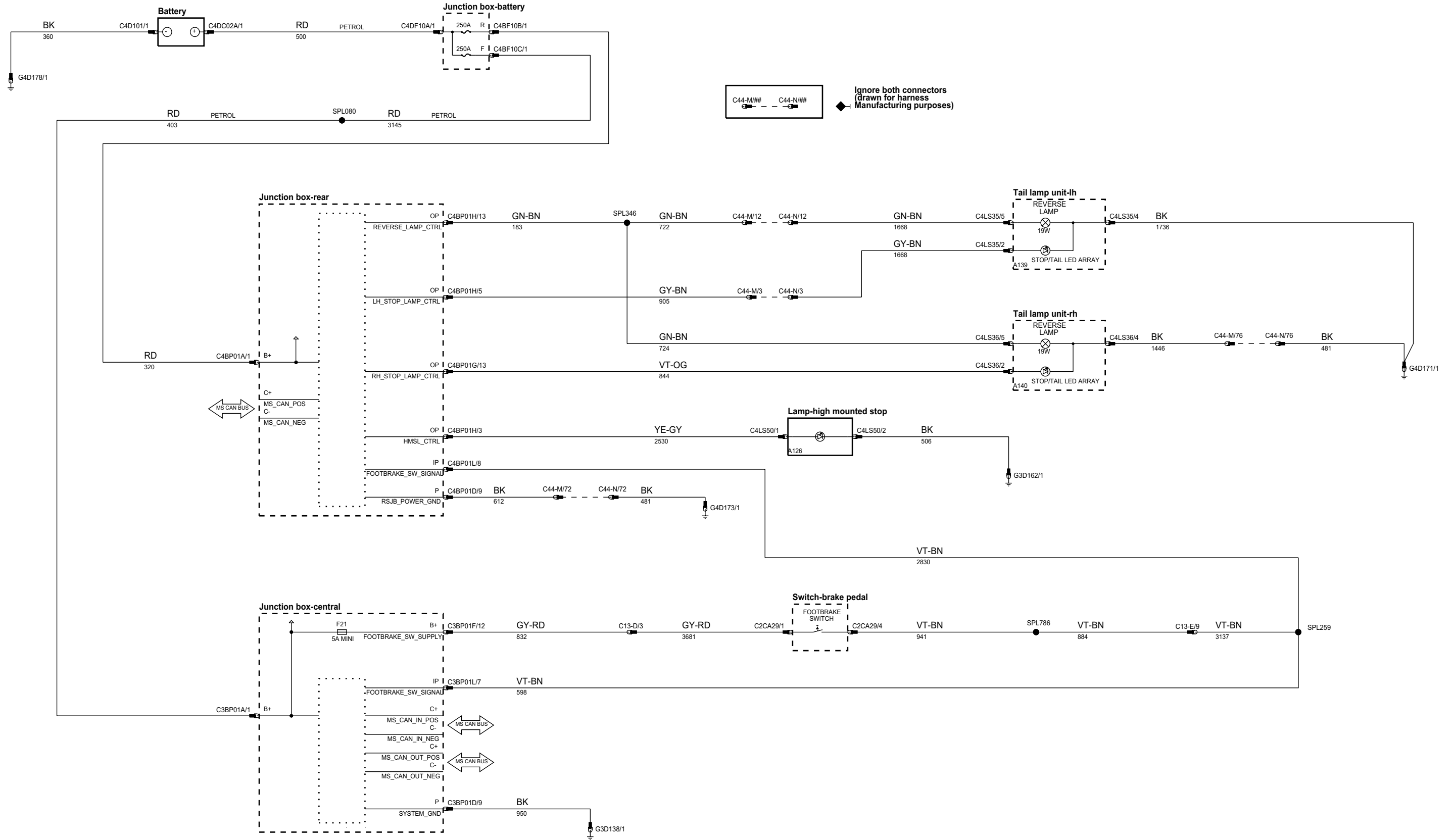
MS CAN BUS

MS CAN BUS

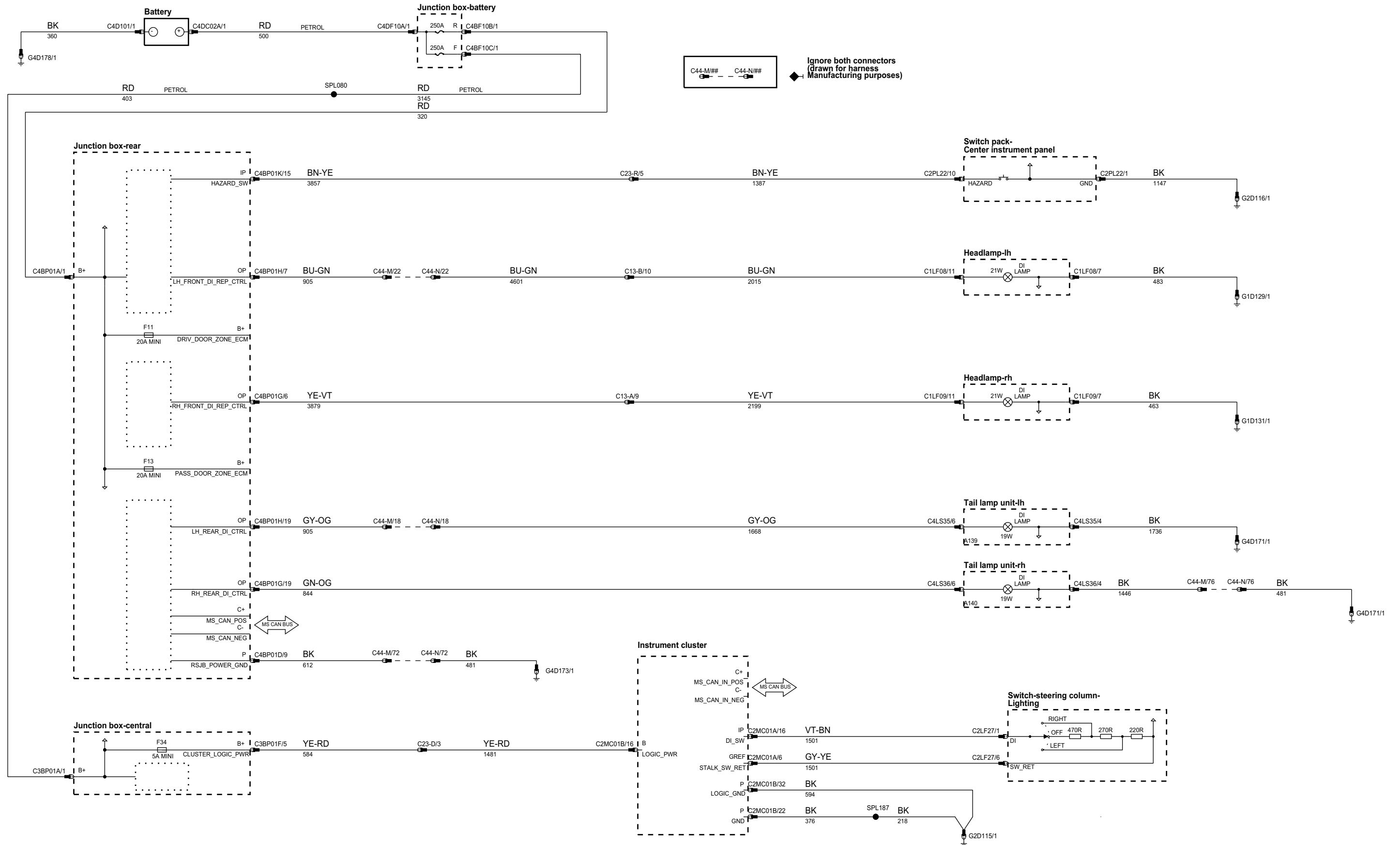
phar83-70063-a-ae



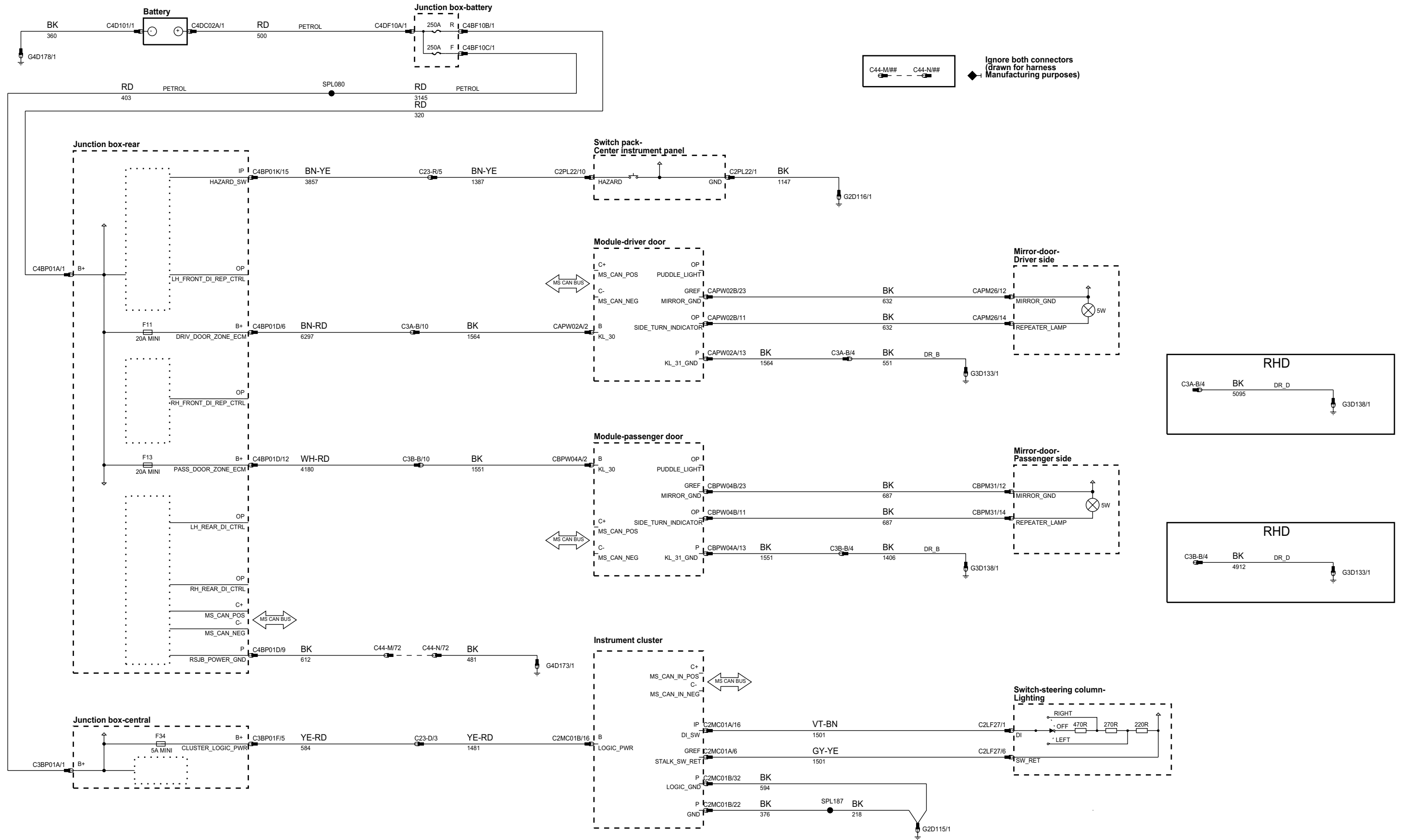
phar83-70075-a-ae



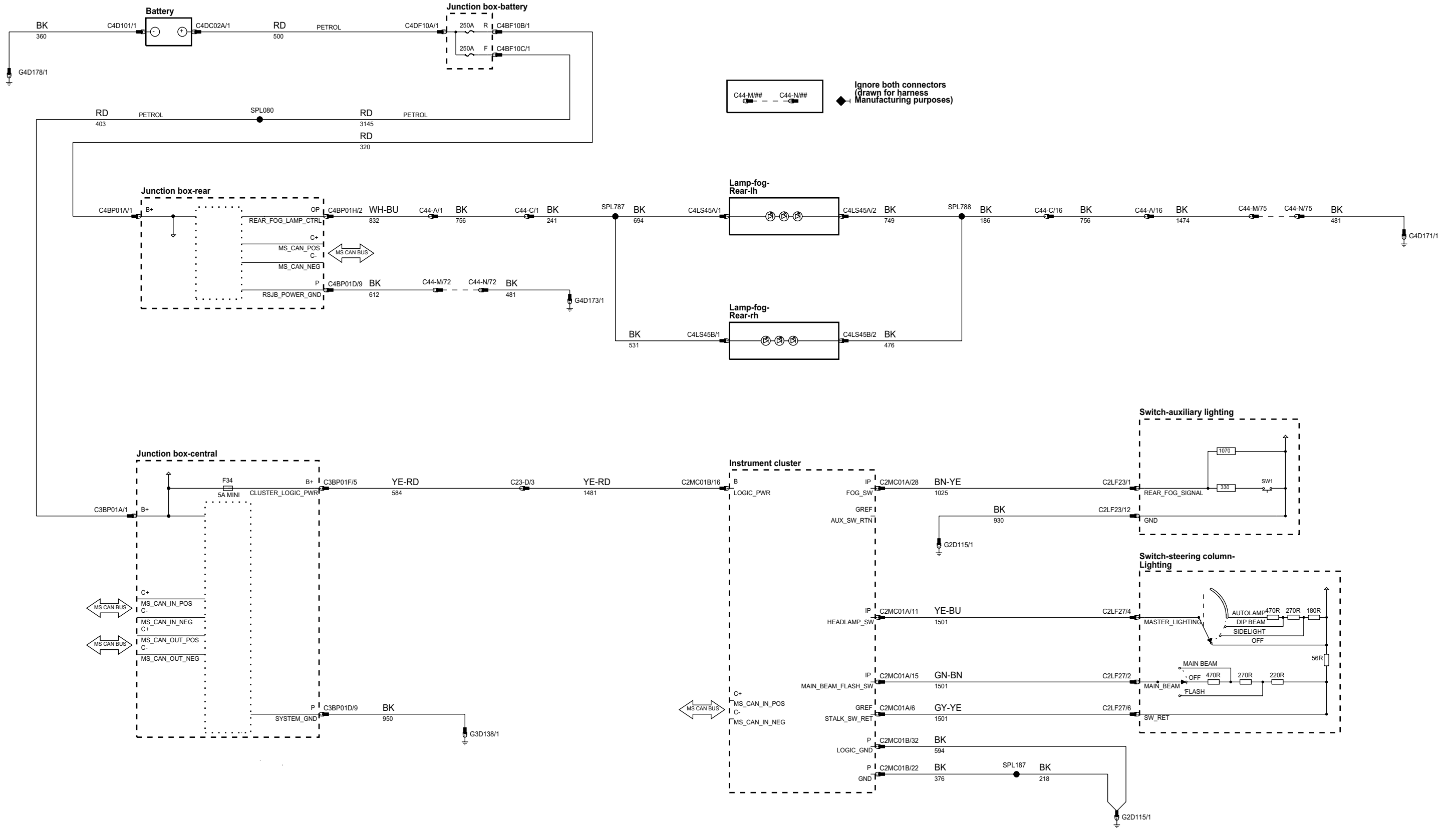
phar83-70078-a-ae



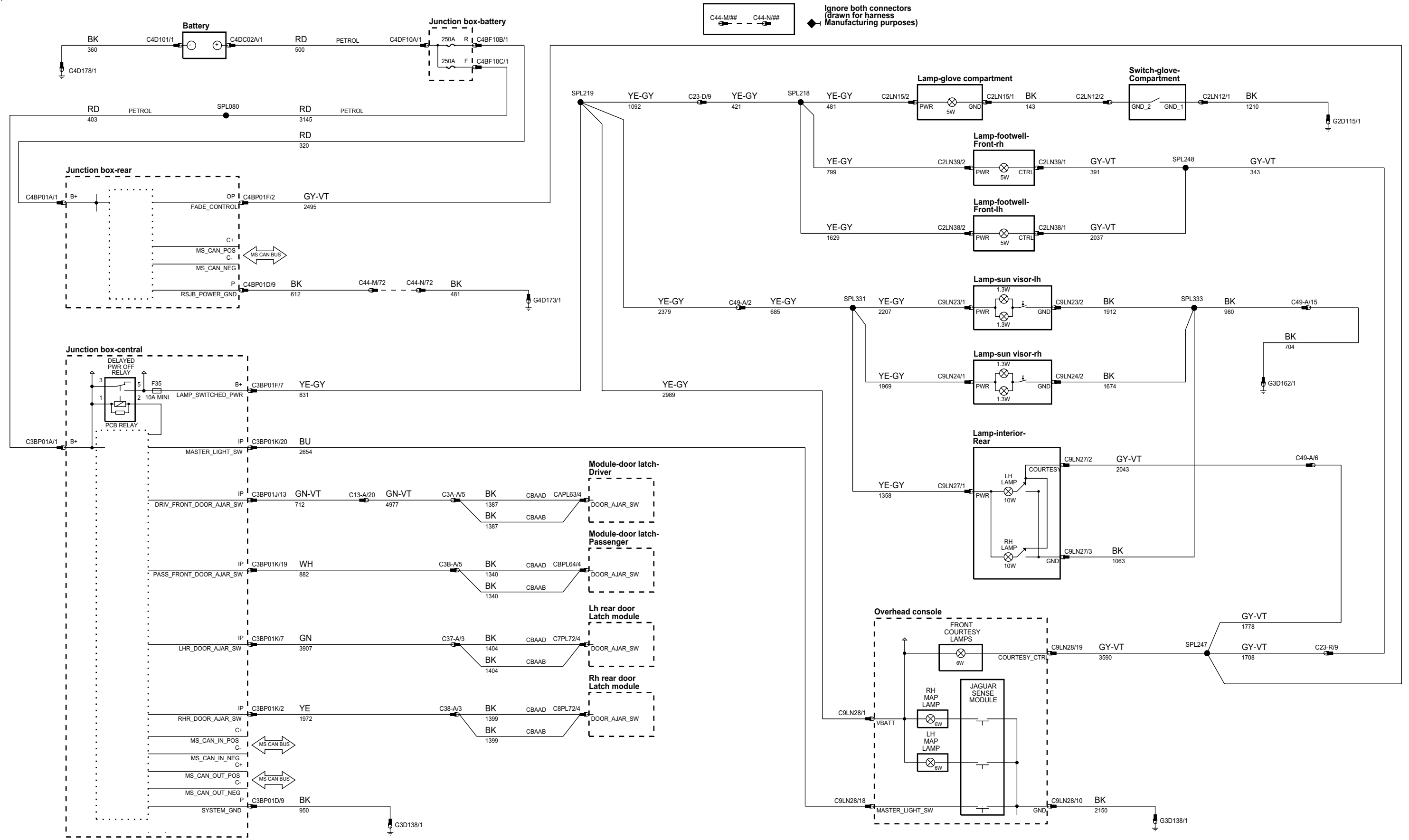
phar83-70080-a-ae



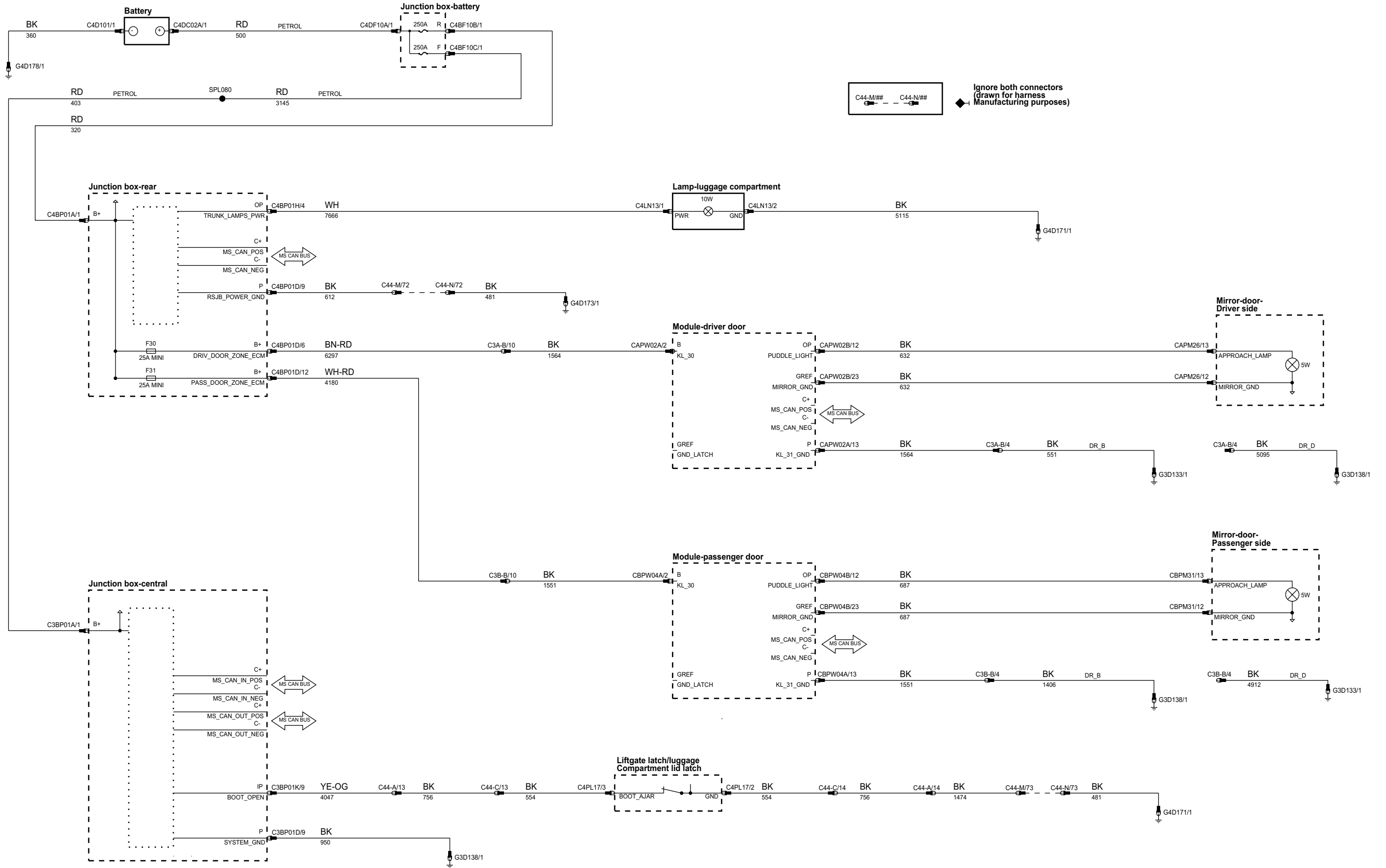
phar83-70072-a-ae



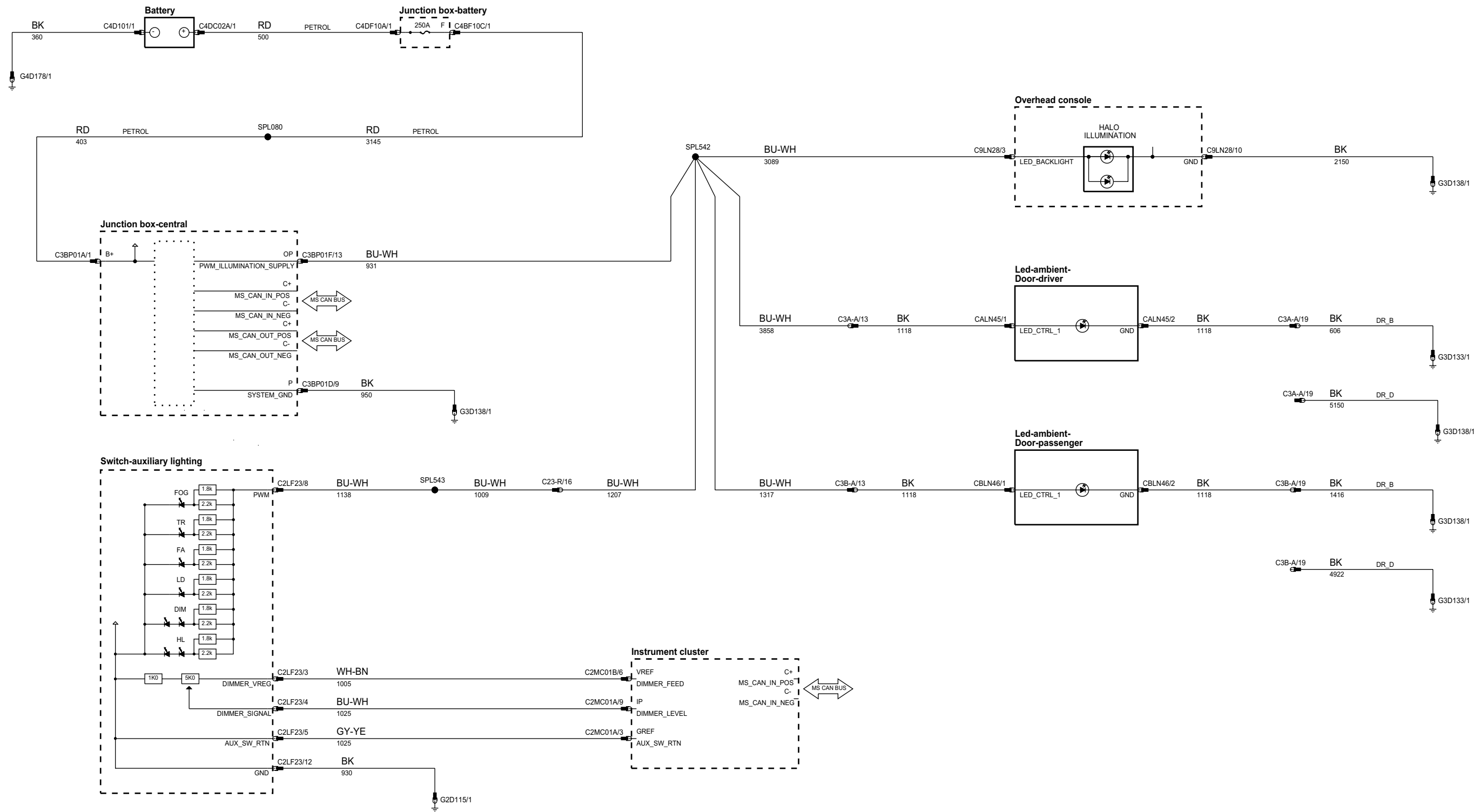
phar83-70101-a-ae



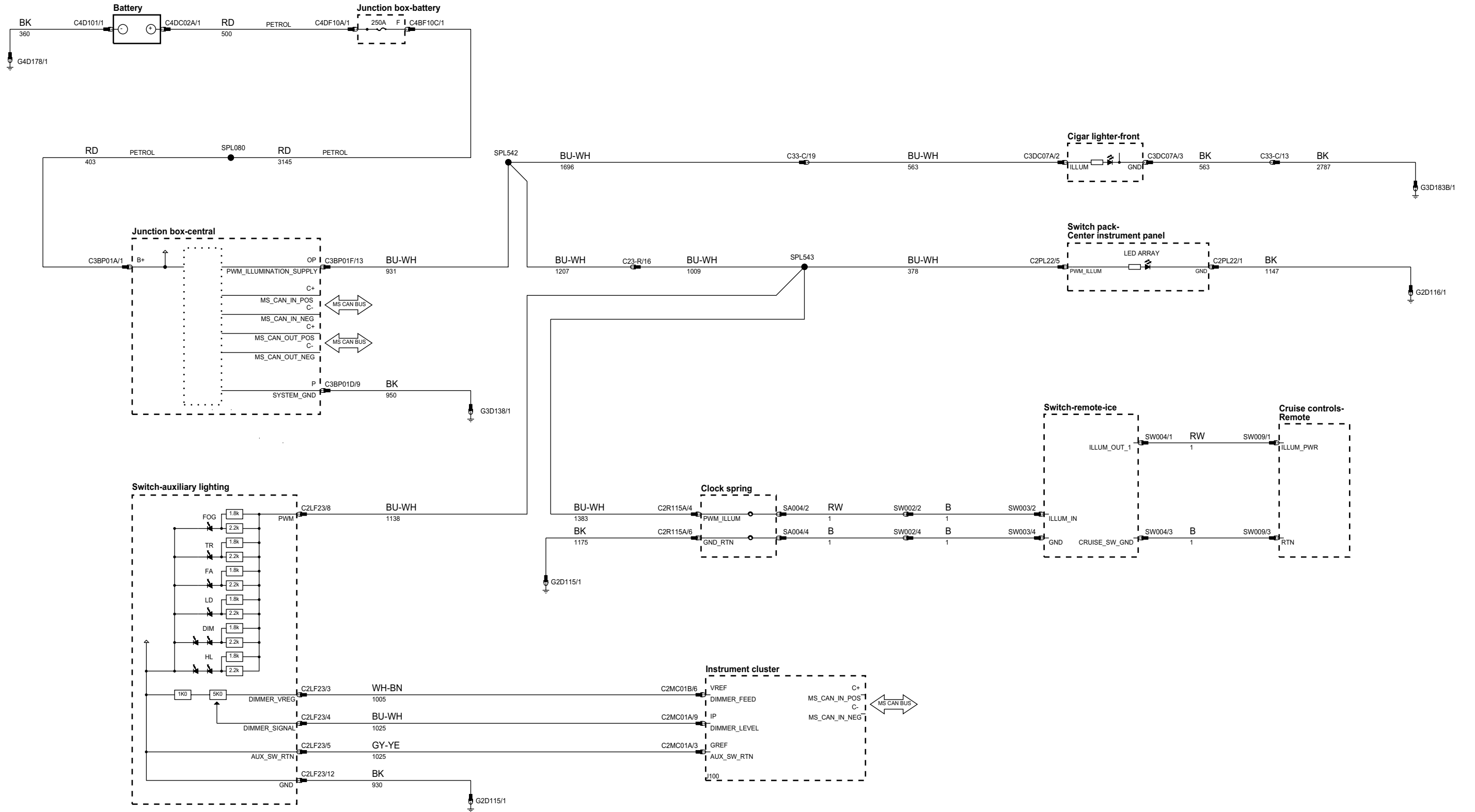
phar83-70104-a-ae



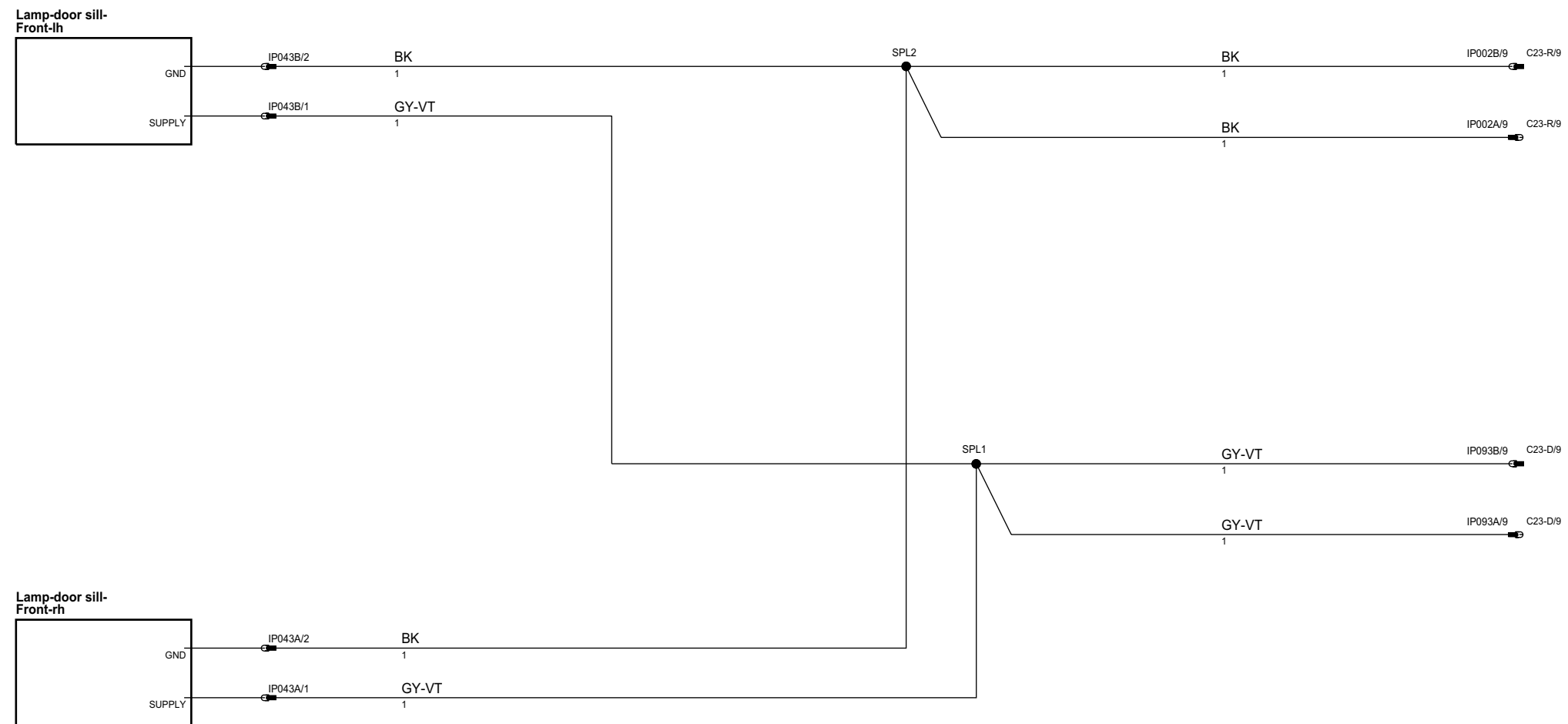
phar83-70106-a-ae



phar83-70123-a-ae

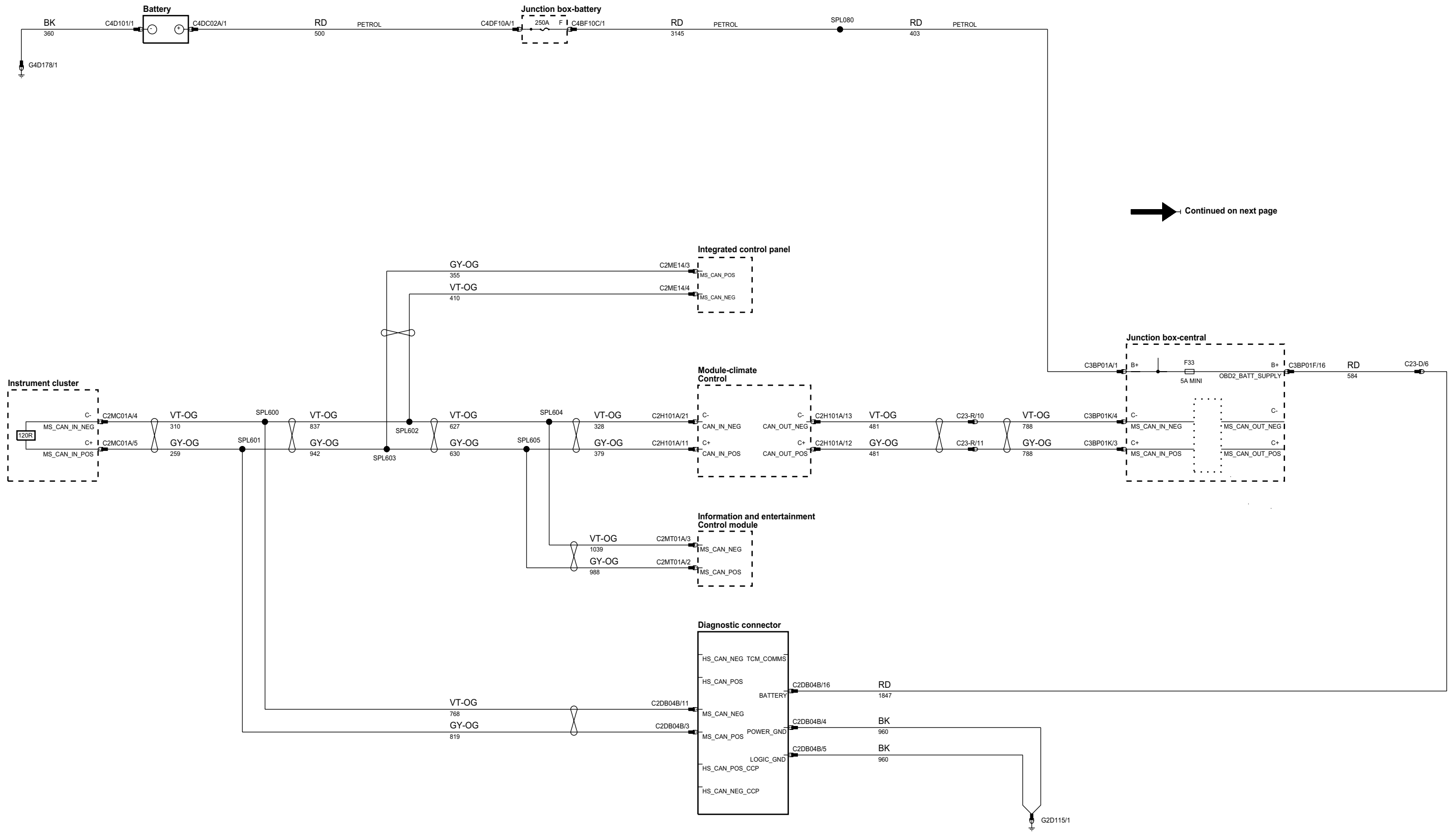


pha83-70104-b-ae



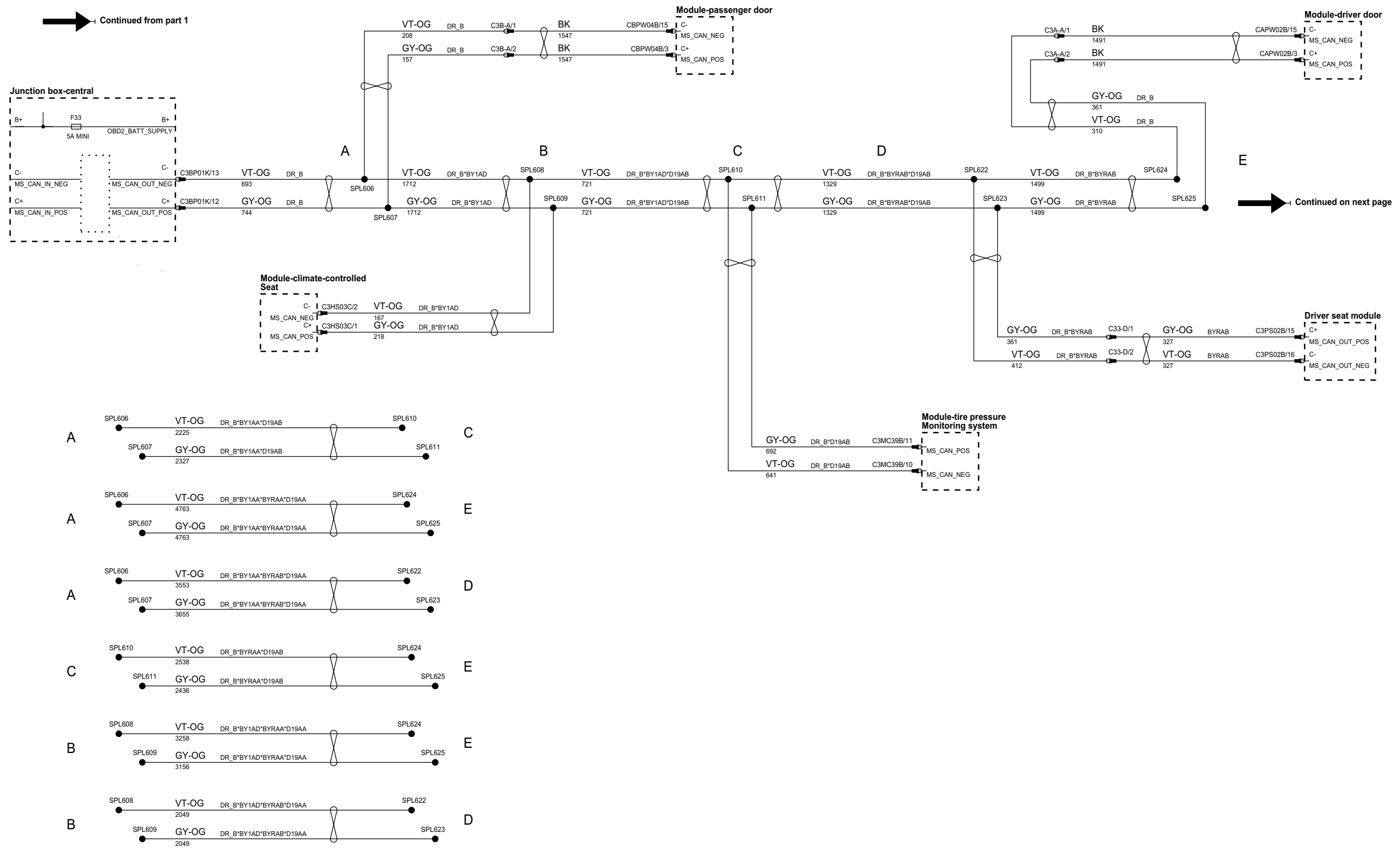
◆ Accessory - dealer installation

phar83-70016-a-ae

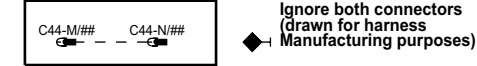


Continued on next page

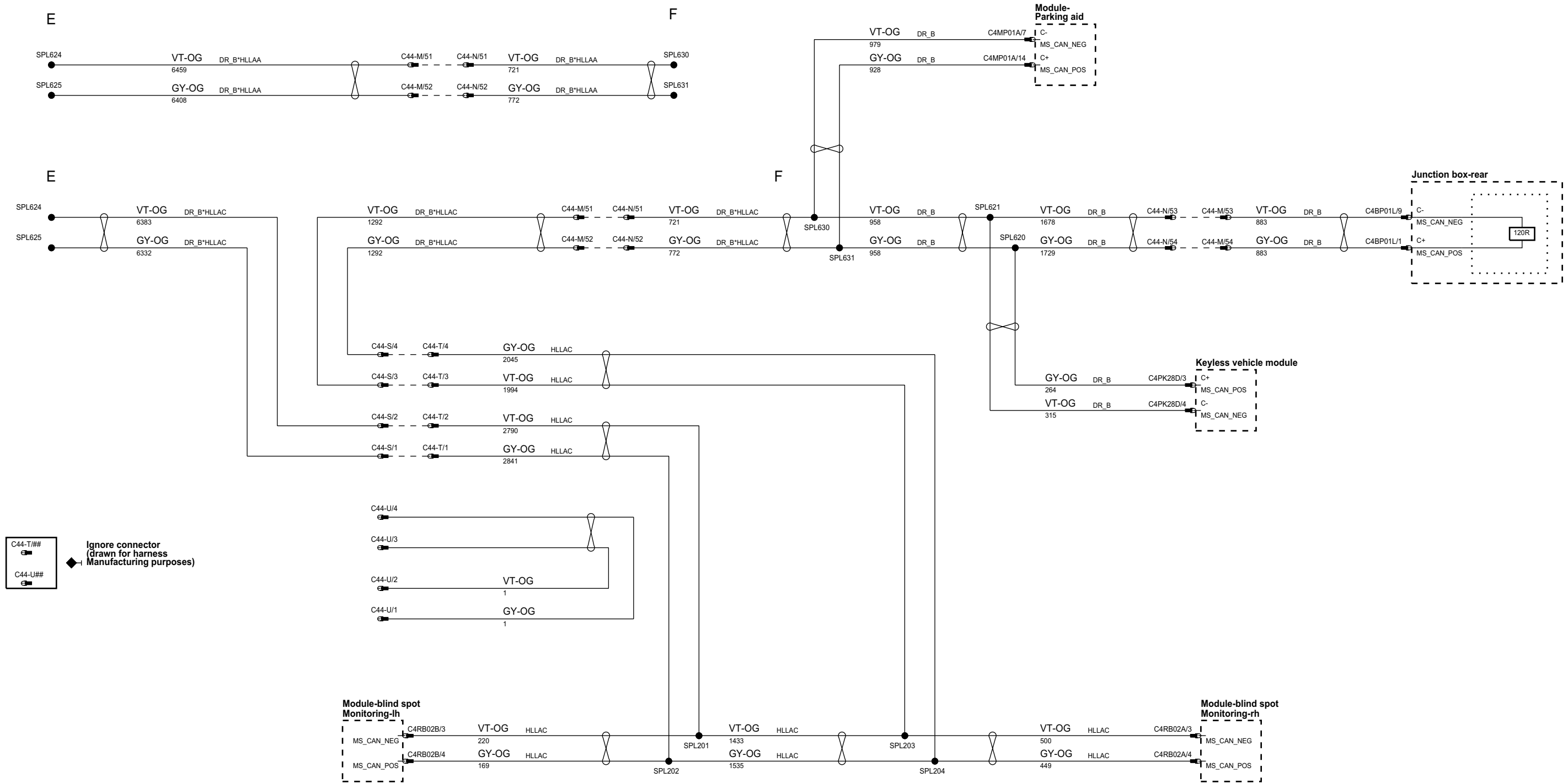
zhar63-70016-b-ae



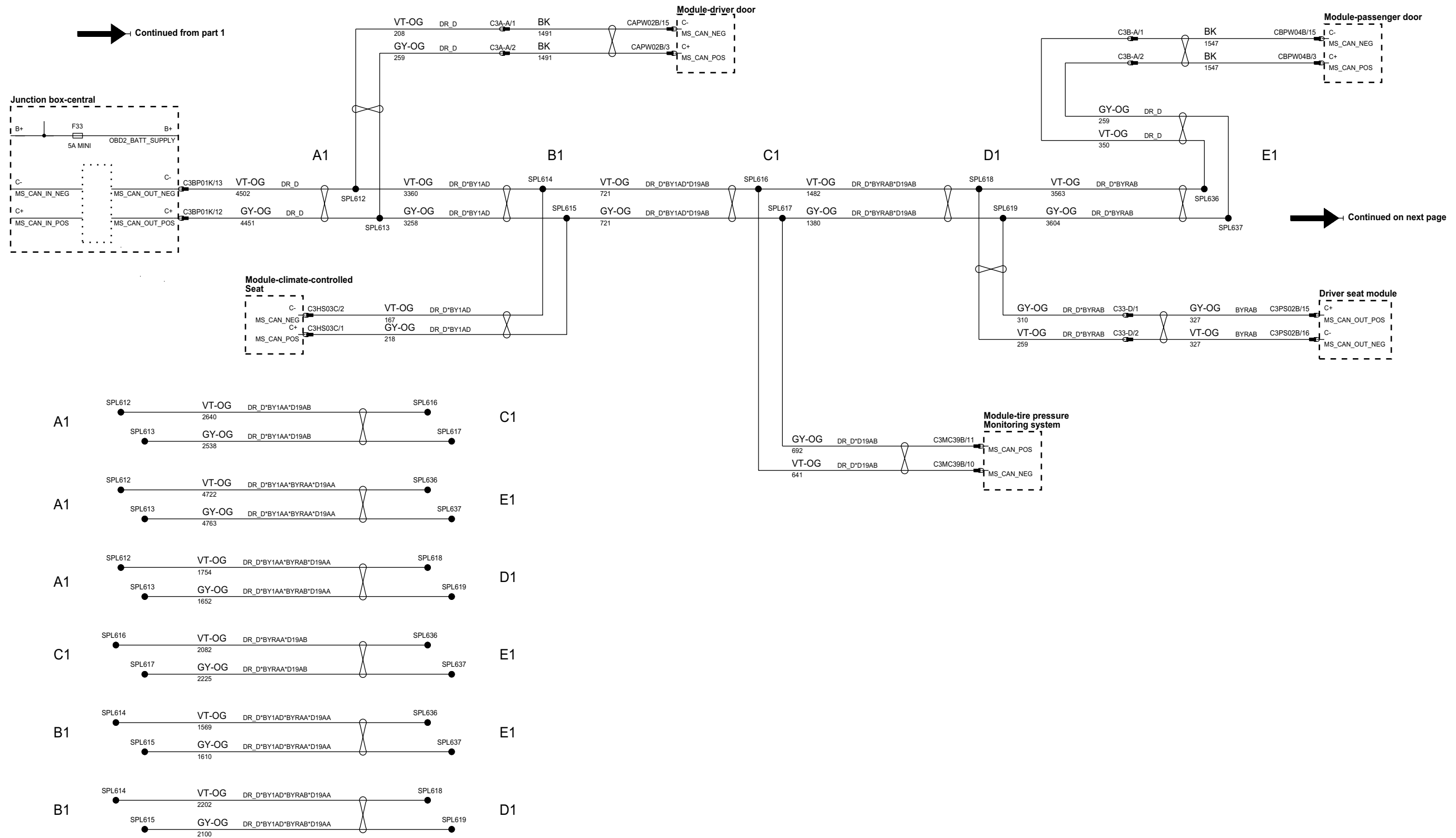
phar83-70016-c-ae



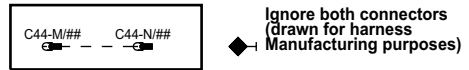
Continued from previous page



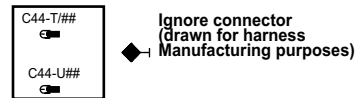
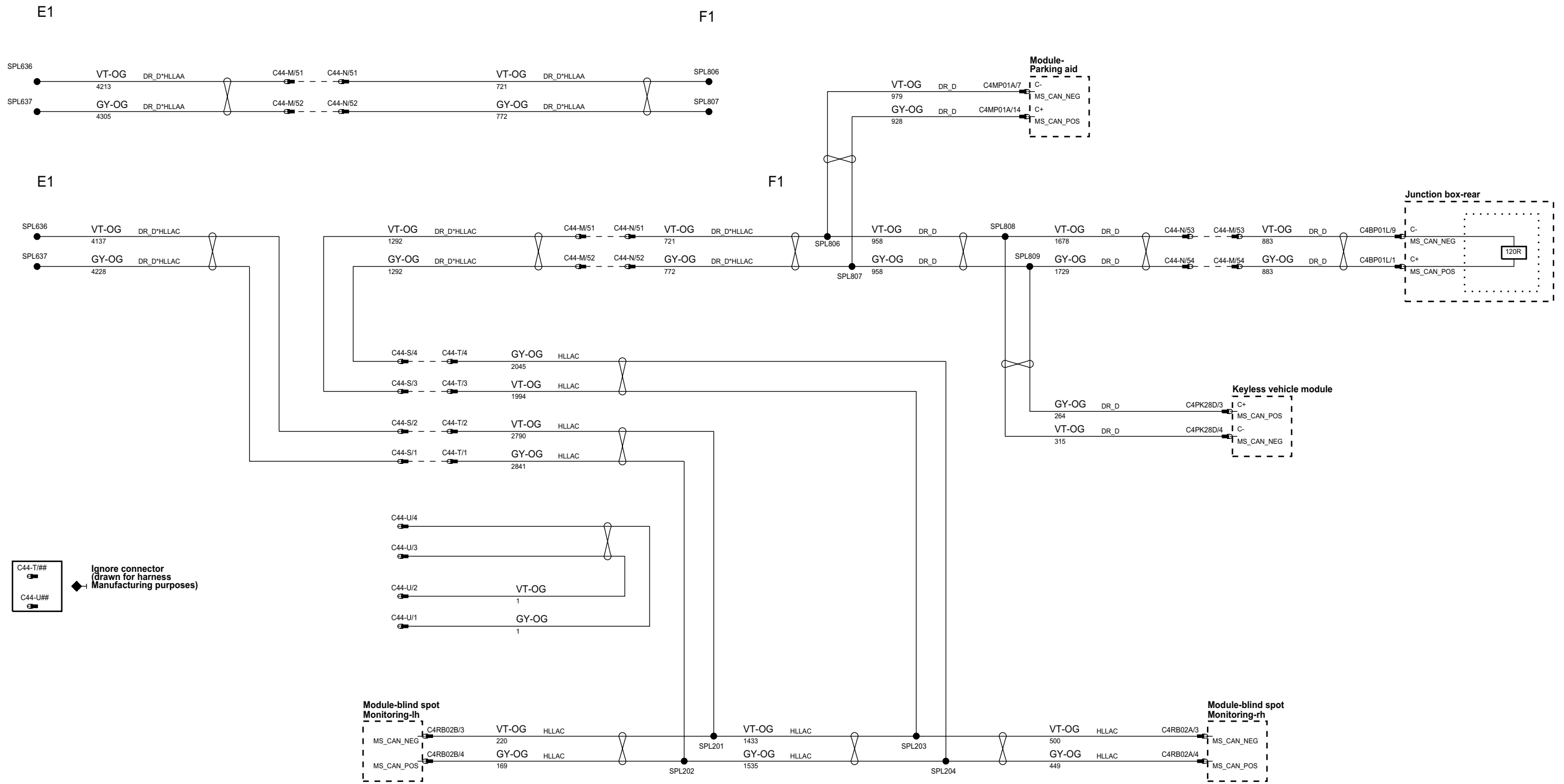
phar83-70016-4-ae



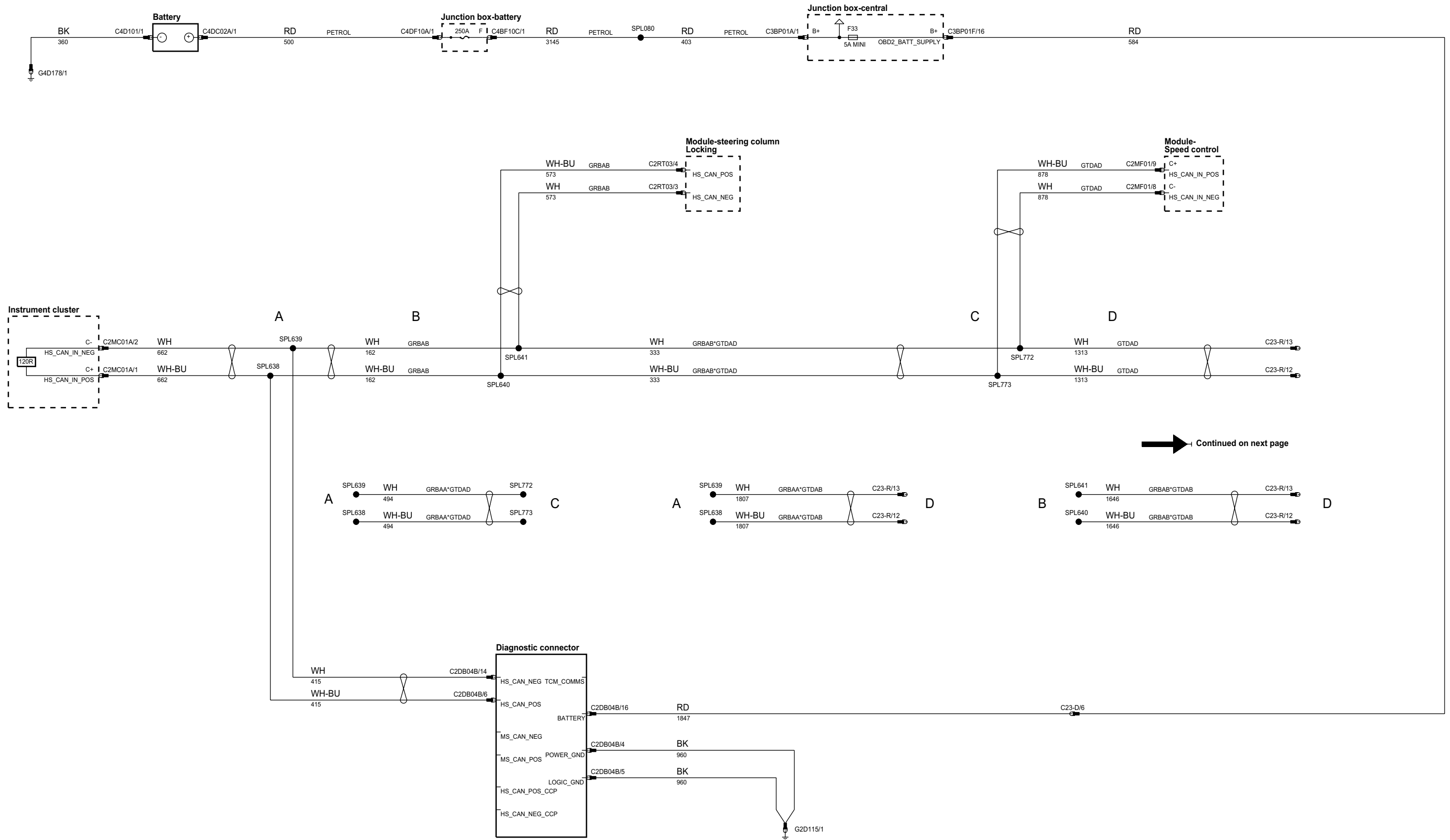
phar83-70016-e-ae



Continued from previous page



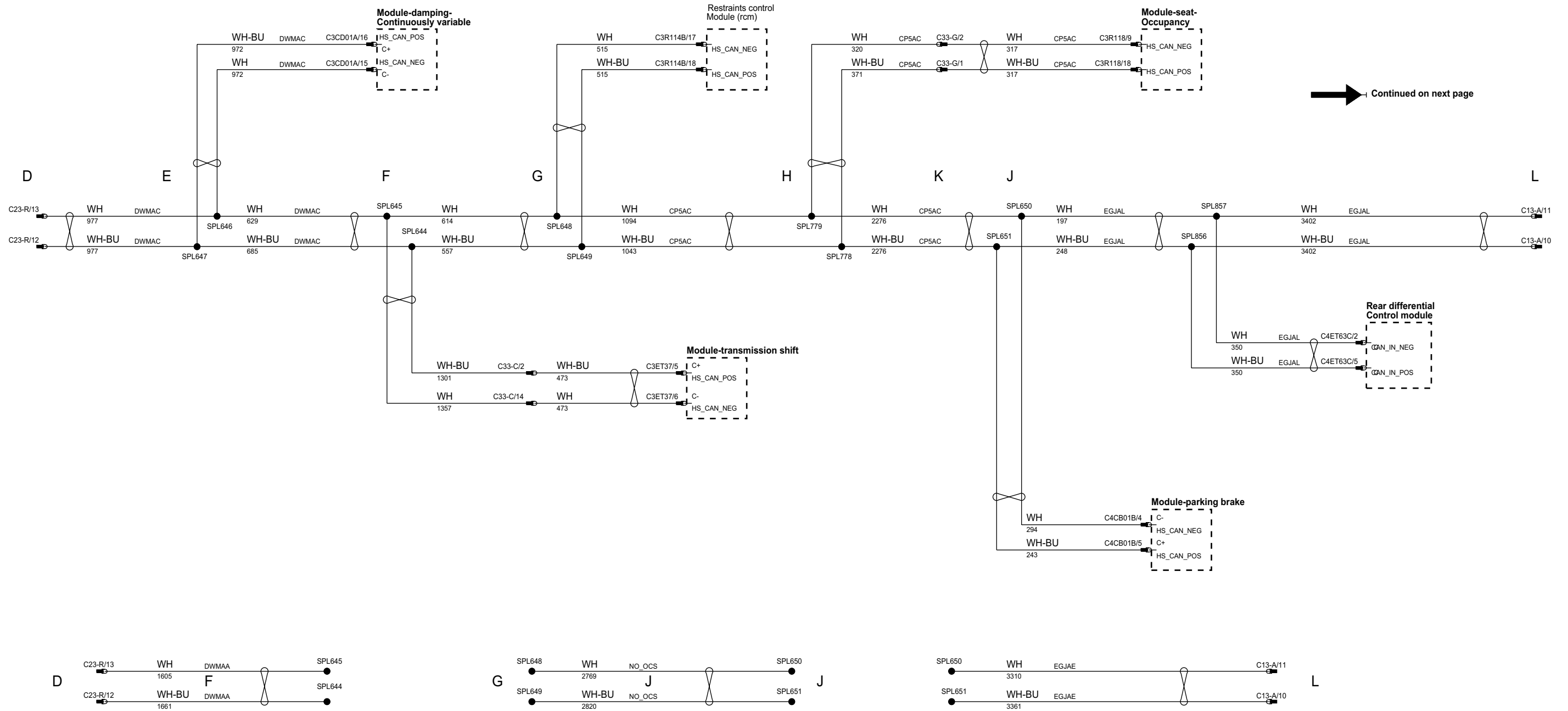
phar83-70016-f-ae



Continued on next page

har83-70016-g-ae

Continued from previous page

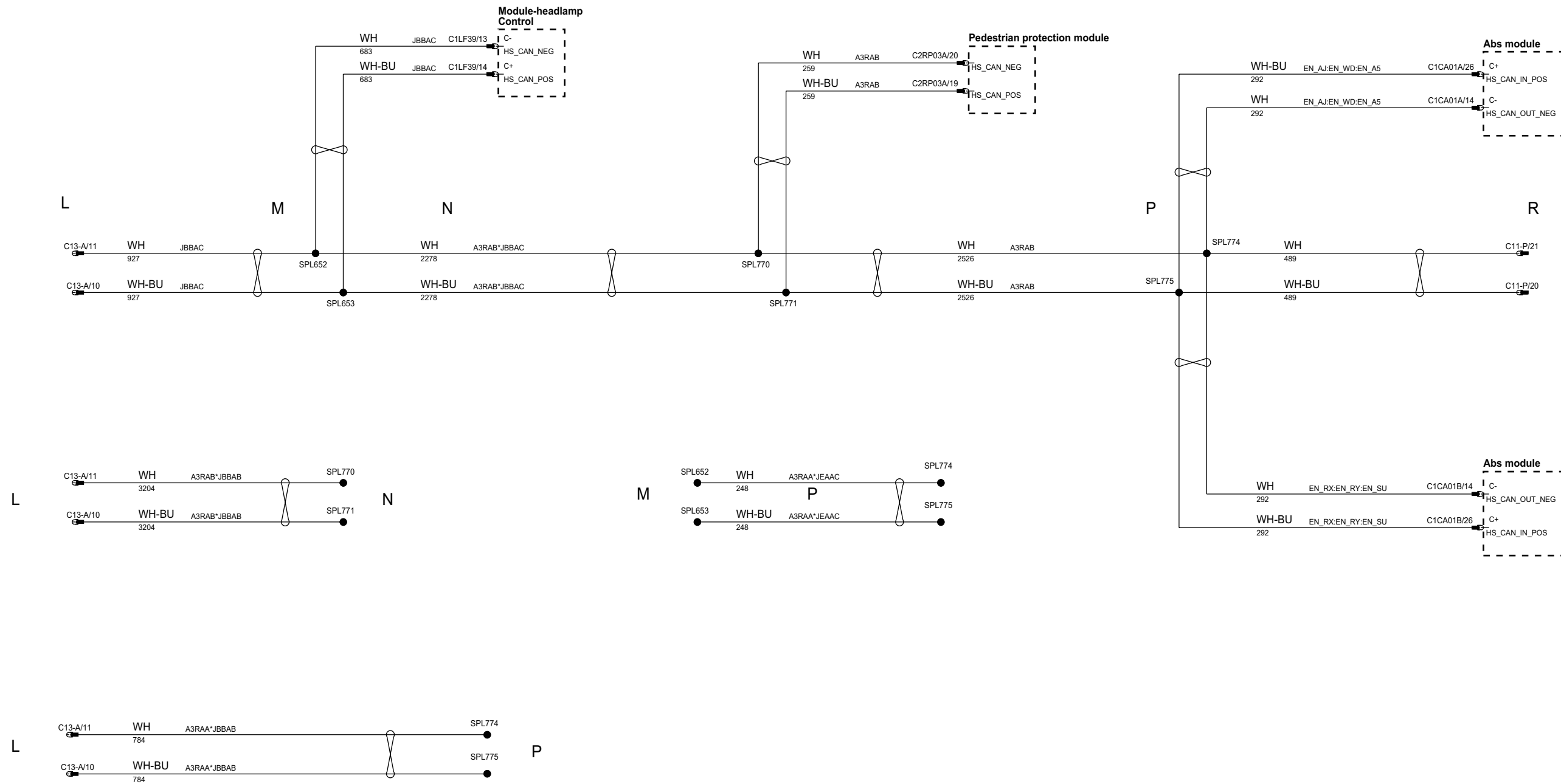


Continued on next page

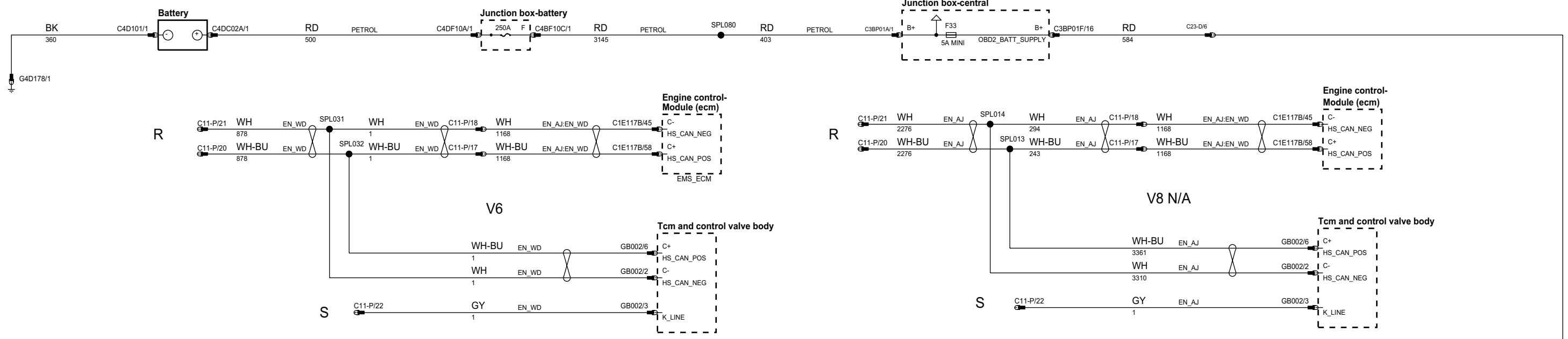
phar83-70016-h-ae

Continued from previous page

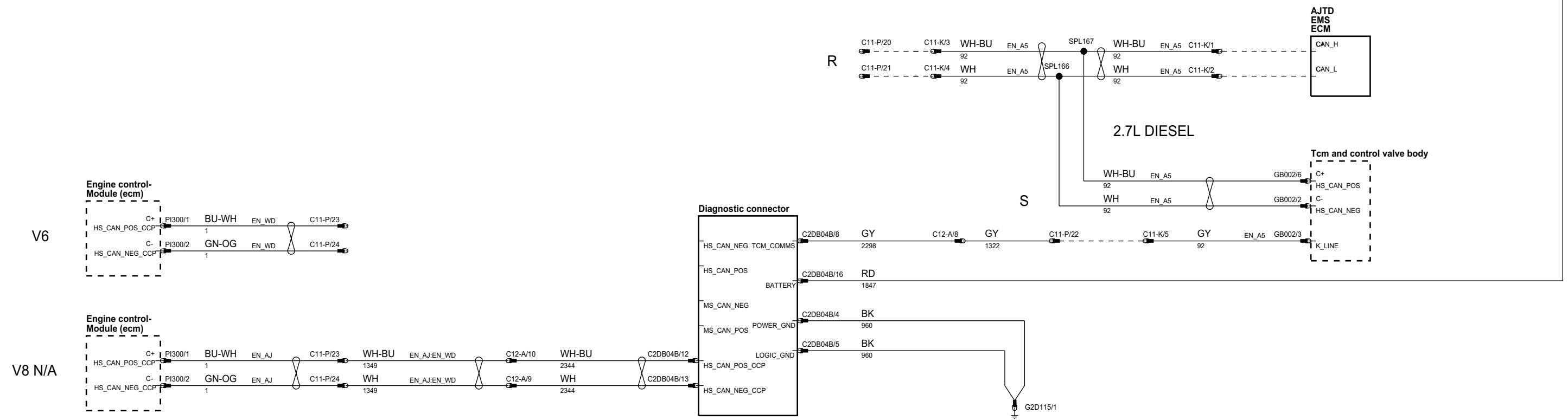
Continued on next page



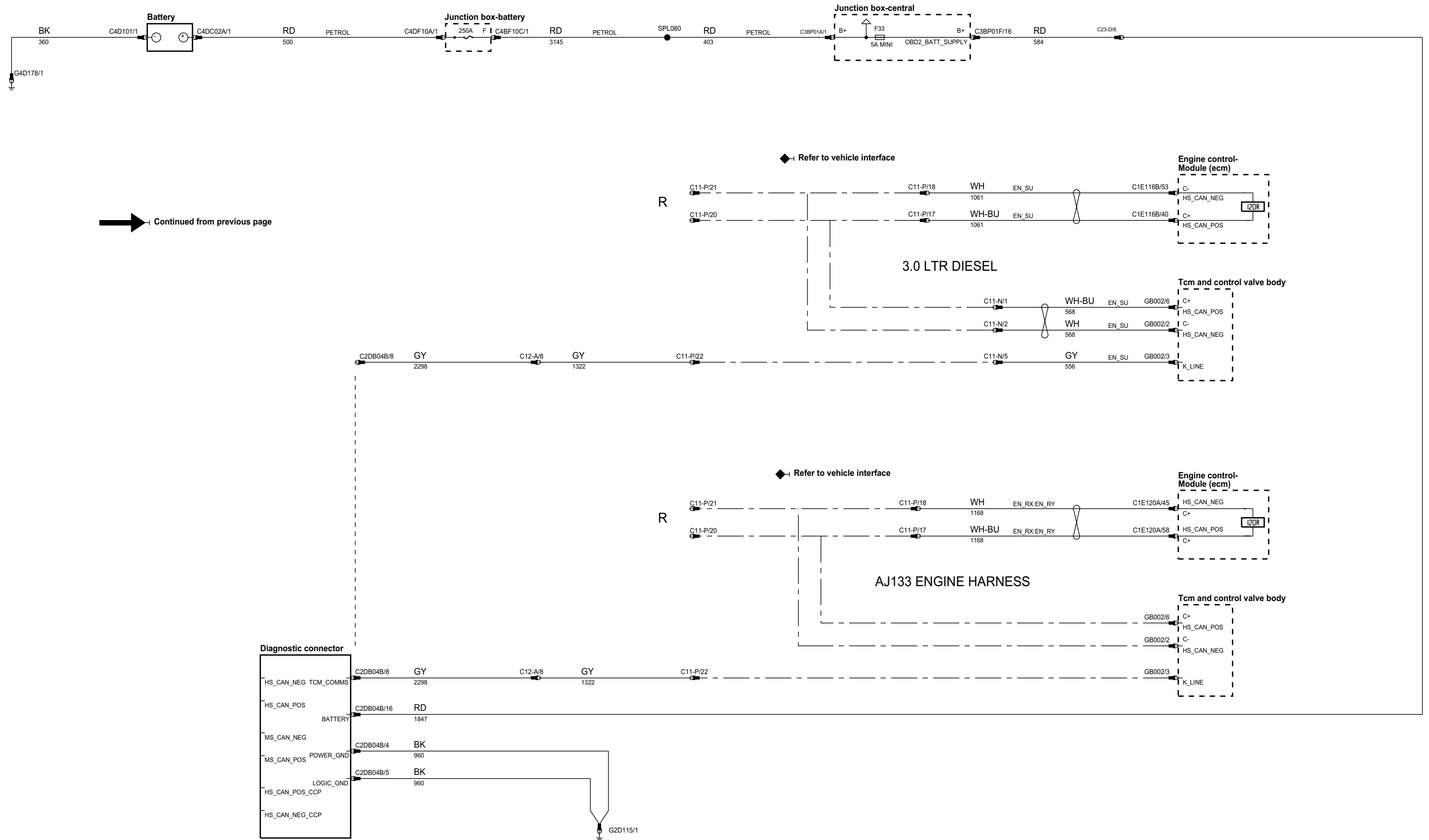
phar83-70016-j-ae



Continued from previous page

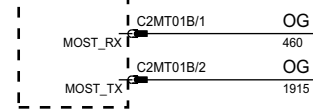


phar83-70016-k-ae

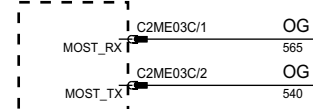


phar83-70016+ae

Information and entertainment Control module



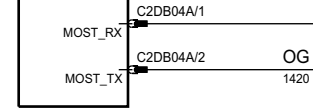
Integrated audio module



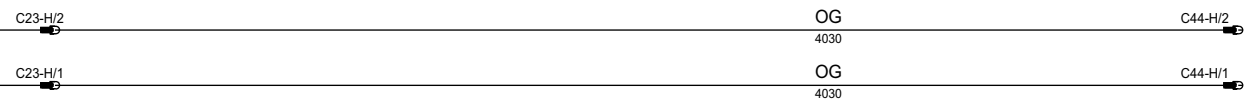
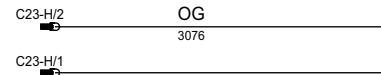
Touch screen Display



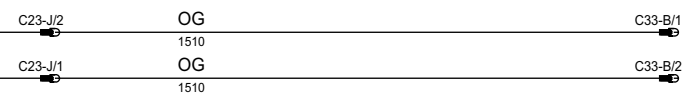
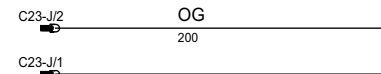
Connector-most diagnostic



Most loop installed
When there are no
Luggage compartment most modules



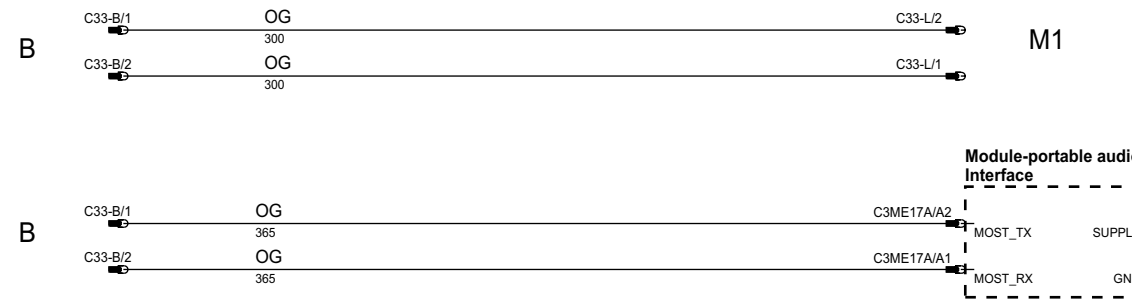
Most loop installed
When there are no
Luggage compartment most modules



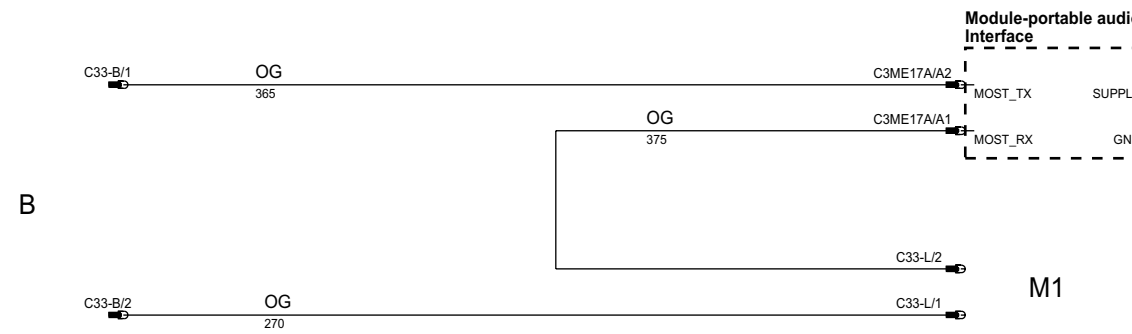
A → Continued on Part 3 or 4

B → Continued on next page

zhar83-70016-m-ae

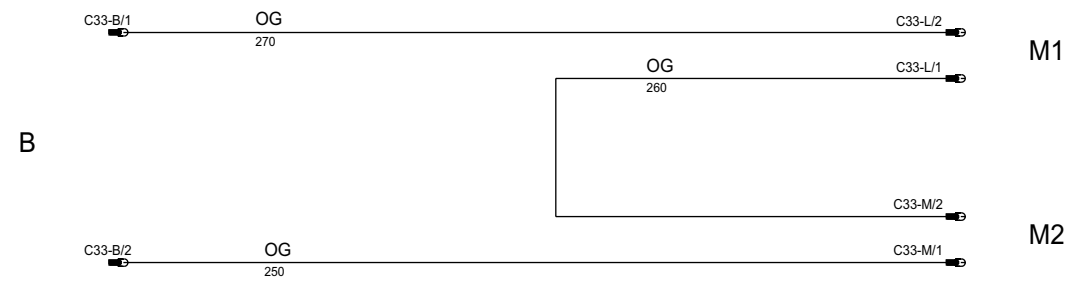


M1	AUU
PHONE	X
DAB	X
SDARS	X
X	AUU



AUU	M1	M2
AUU	PHONE	X
AUU	DAB	X
AUU	SDARS	X
X	PHONE	DAB
X	PHONE	SDARS

Continued from previous page

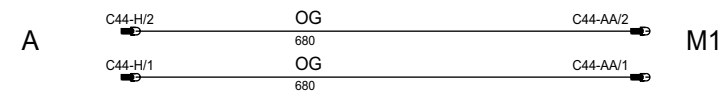


AUU	M1	M2
AUU	PHONE	DAB
AUU	PHONE	SDARS

phar83-70016-n-ae

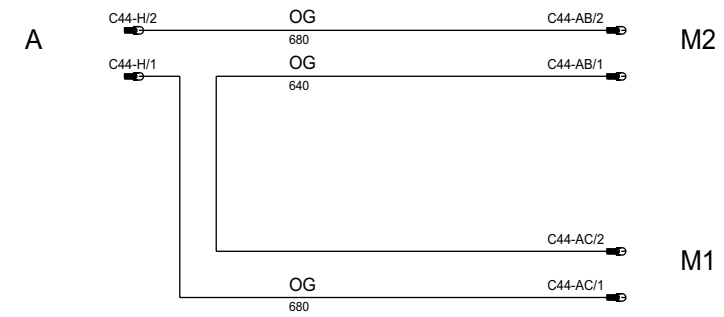
Continued from part 1

One module(m) only



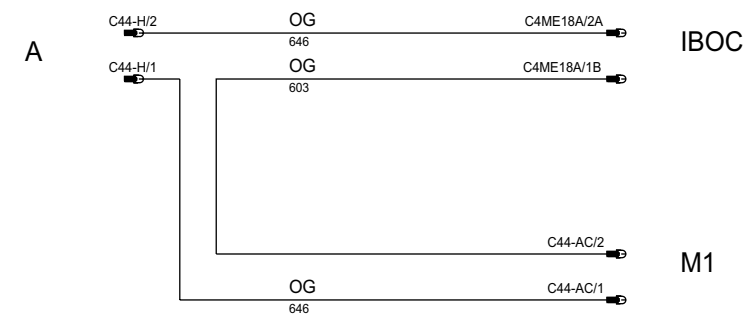
M1
AMP
MMM
TV

Two module(m) combination



M1	M2
AMP	MMM
AMP	TV
MMM	TV

Two module(m) combination

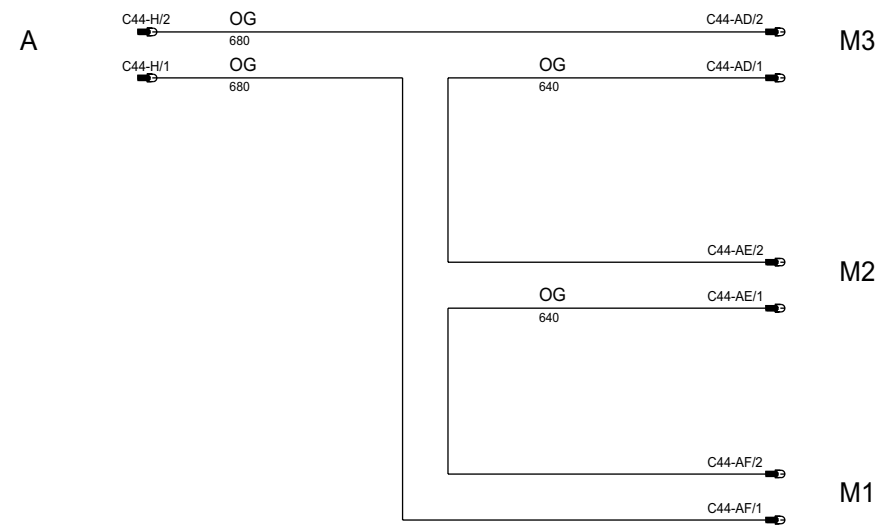


M1	IBOC
AMP	IBOC
AMP	IBOC
MMM	IBOC

pha83-70016-p-ae

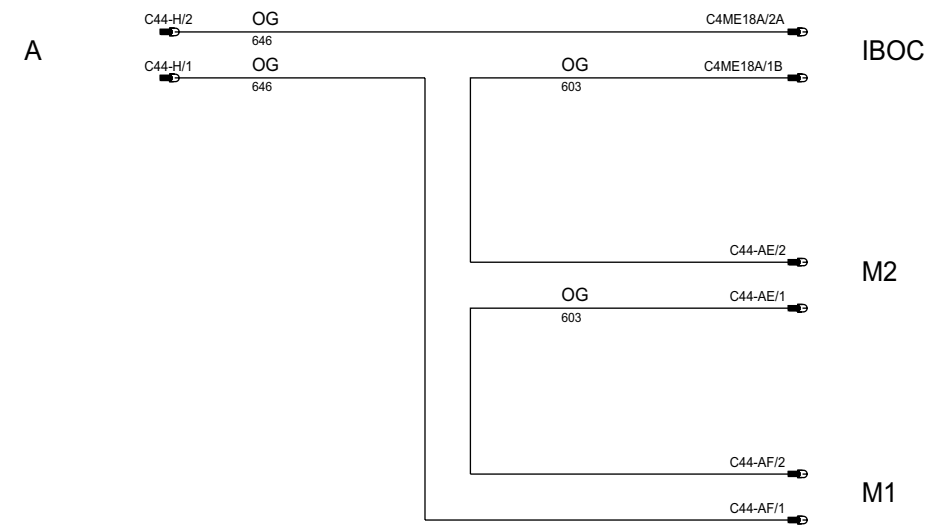
➔ Continued from part 1

◆ Three module(m) combination



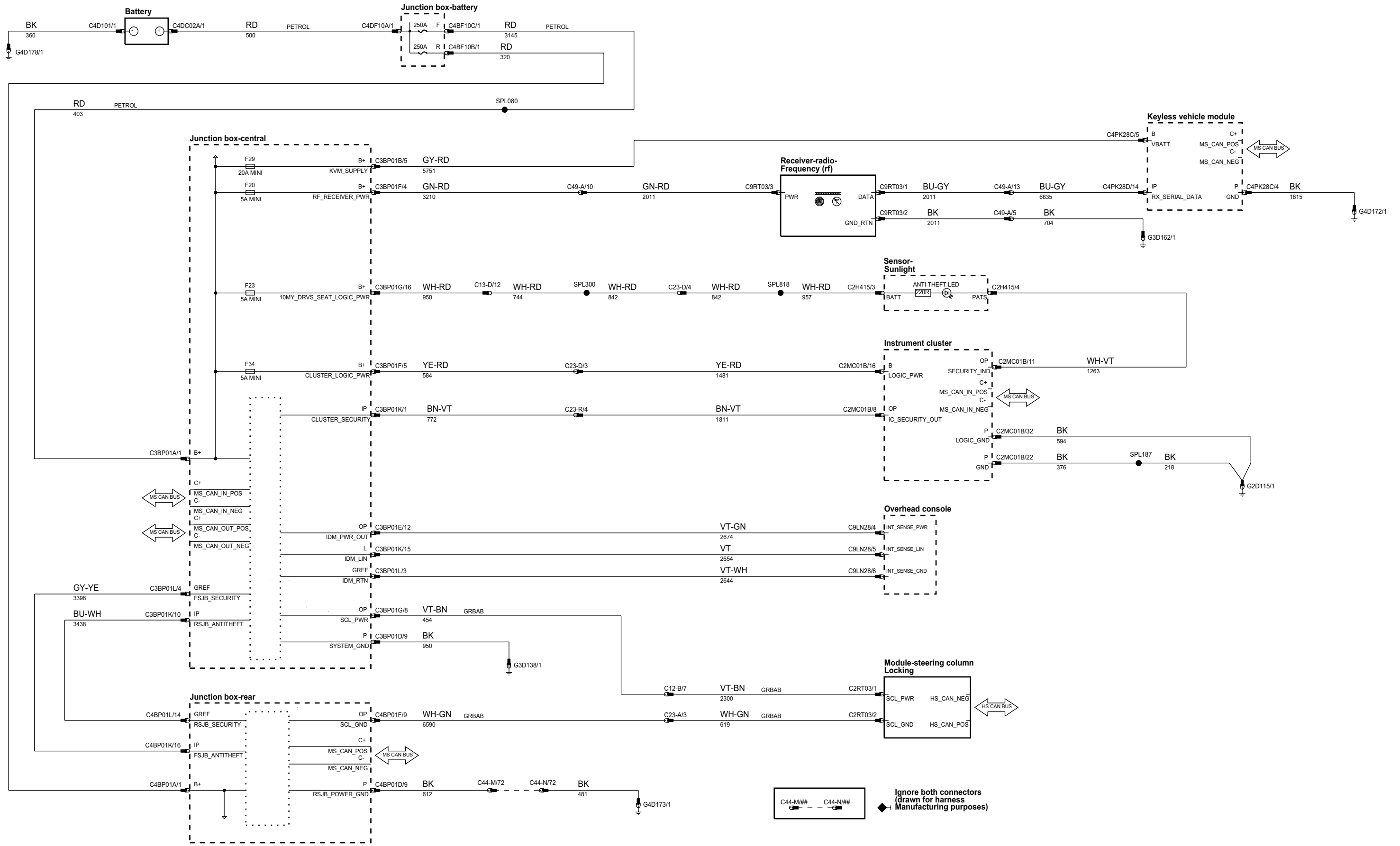
M1	M2	M3
AMP	MMM	TV

◆ Three module(m) combination

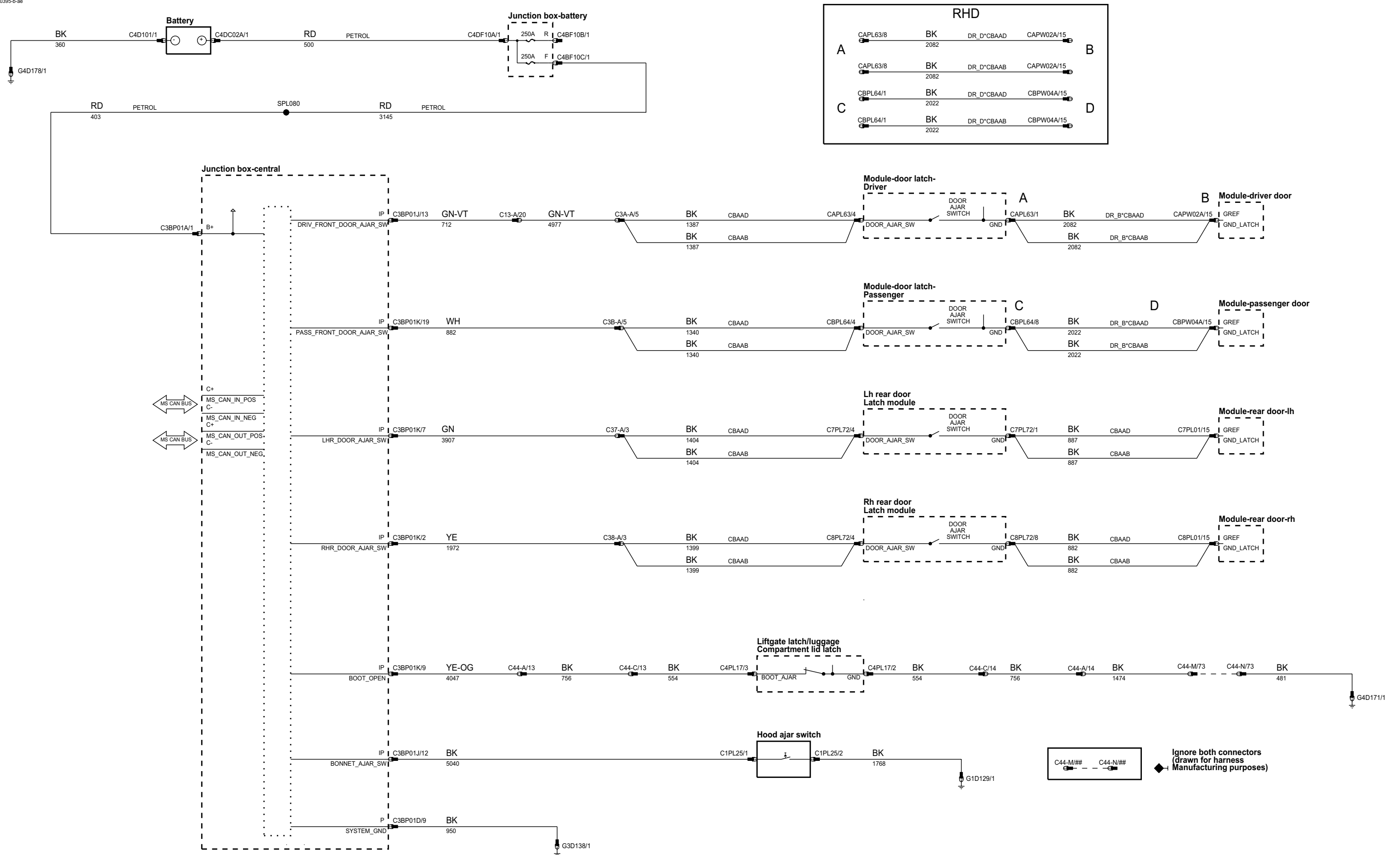


M1	M2	IBOC
AMP	MMM	IBOC

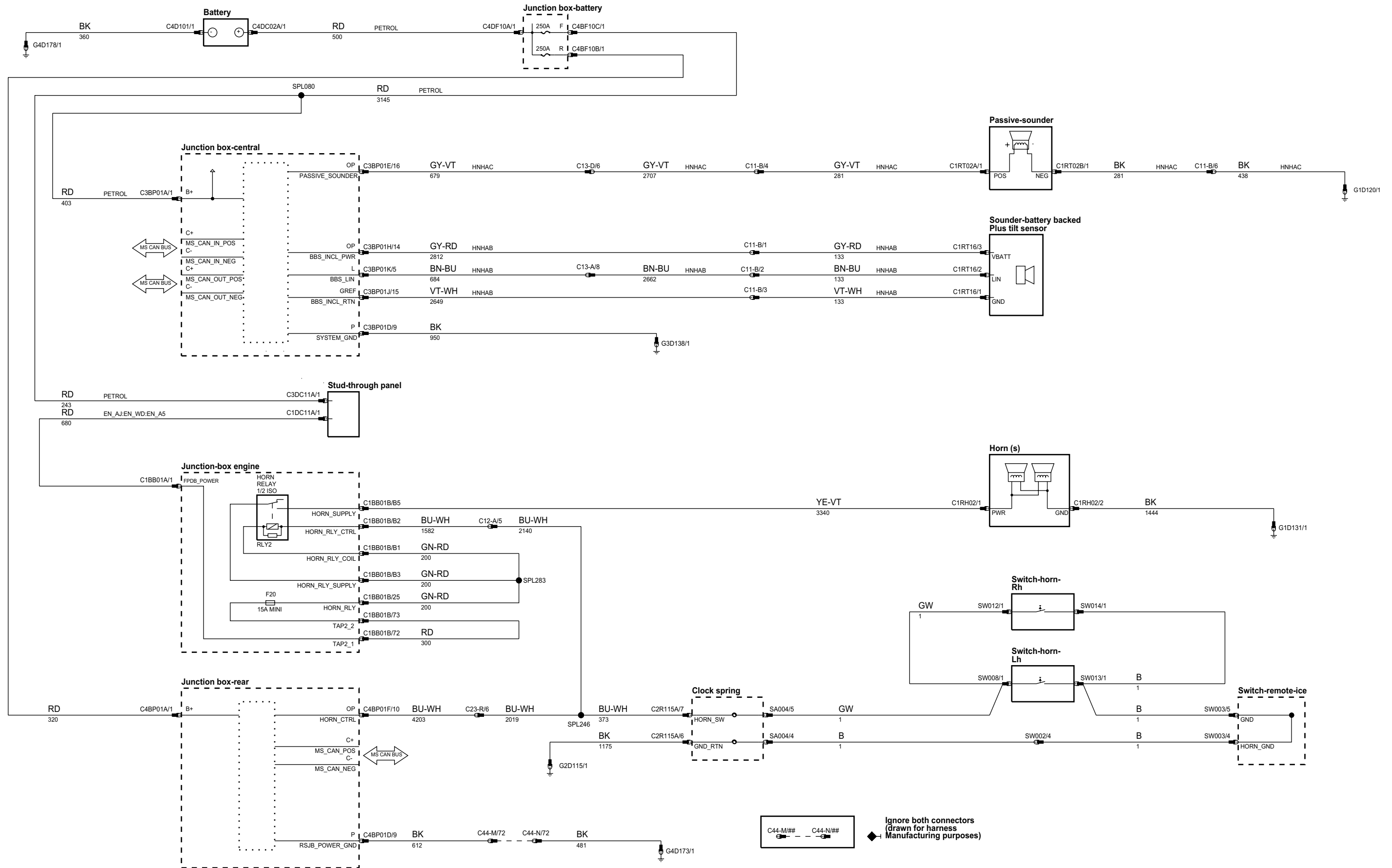
phar83-70395-a-ae



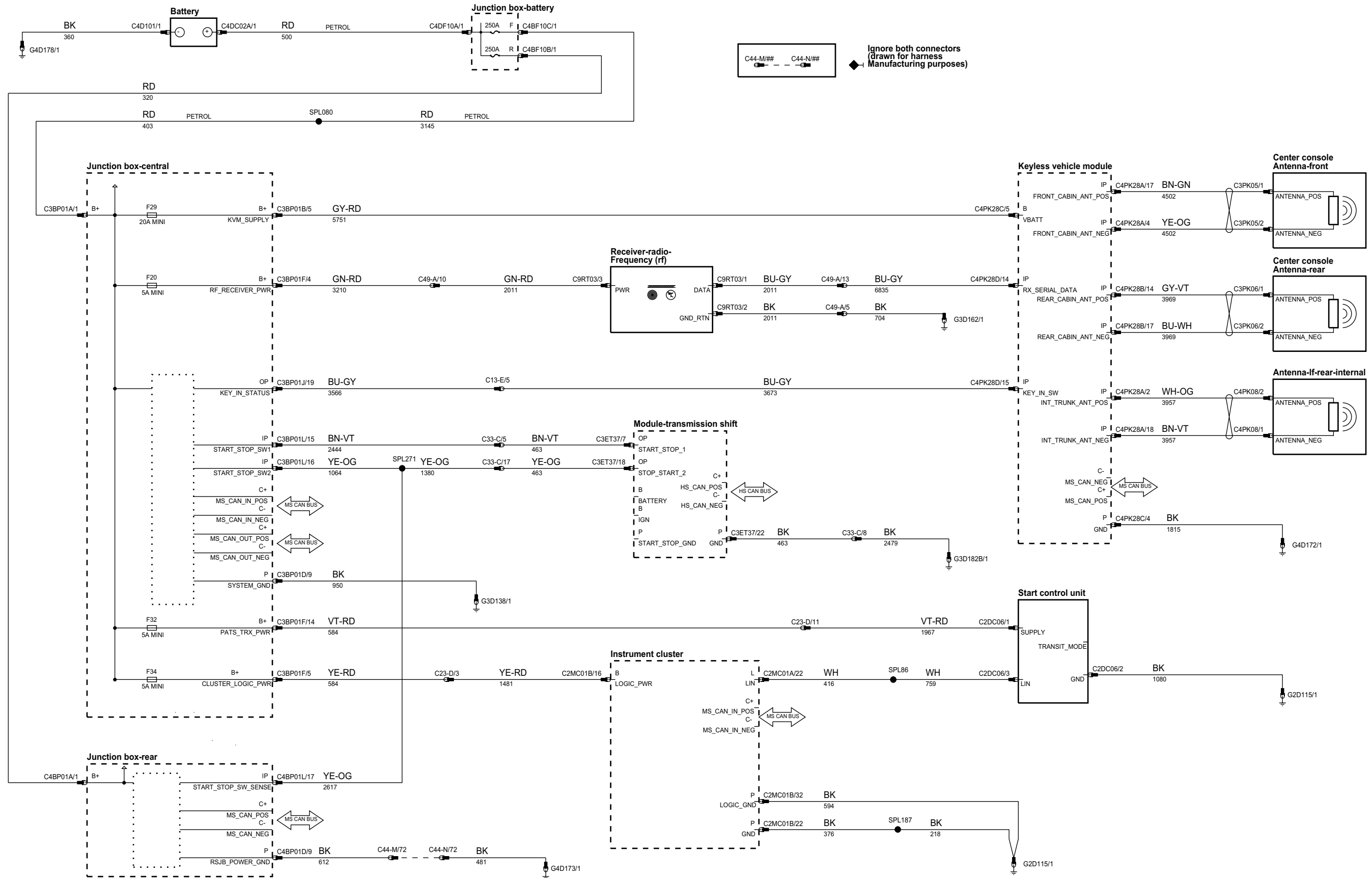
phar83-70395-b-ae



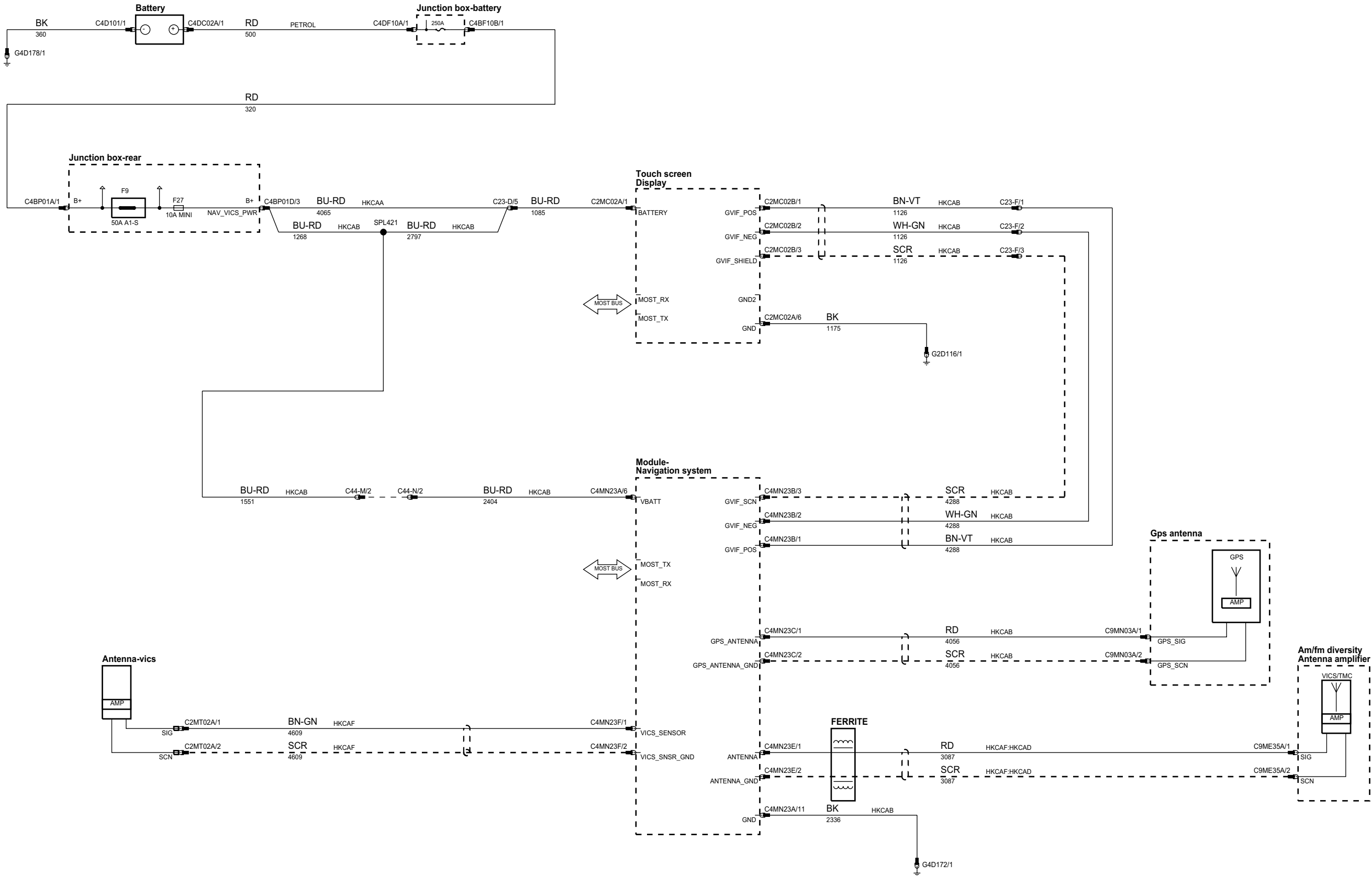
phar83-70395-c-ae

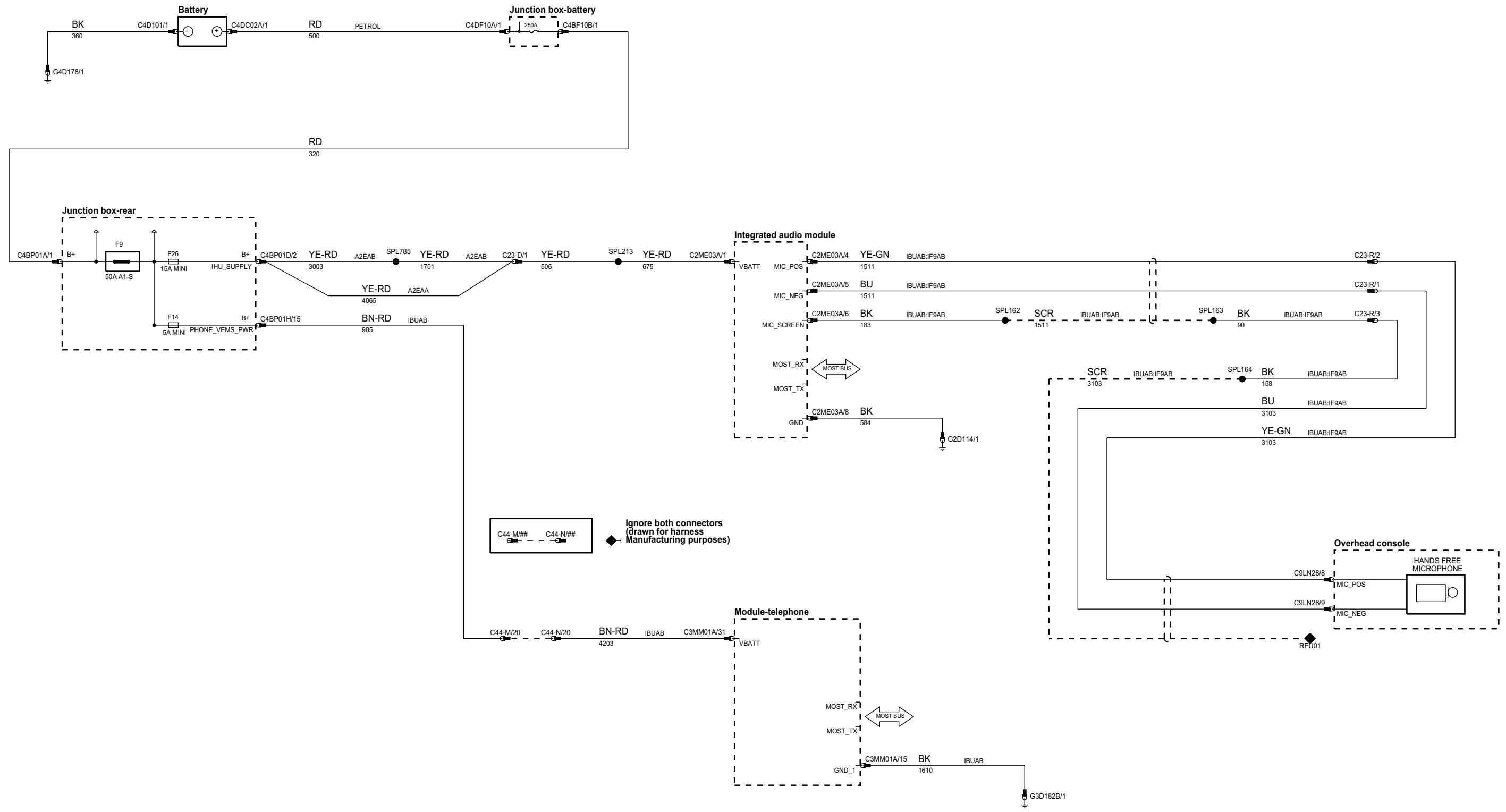


phar83-70410-a-ae

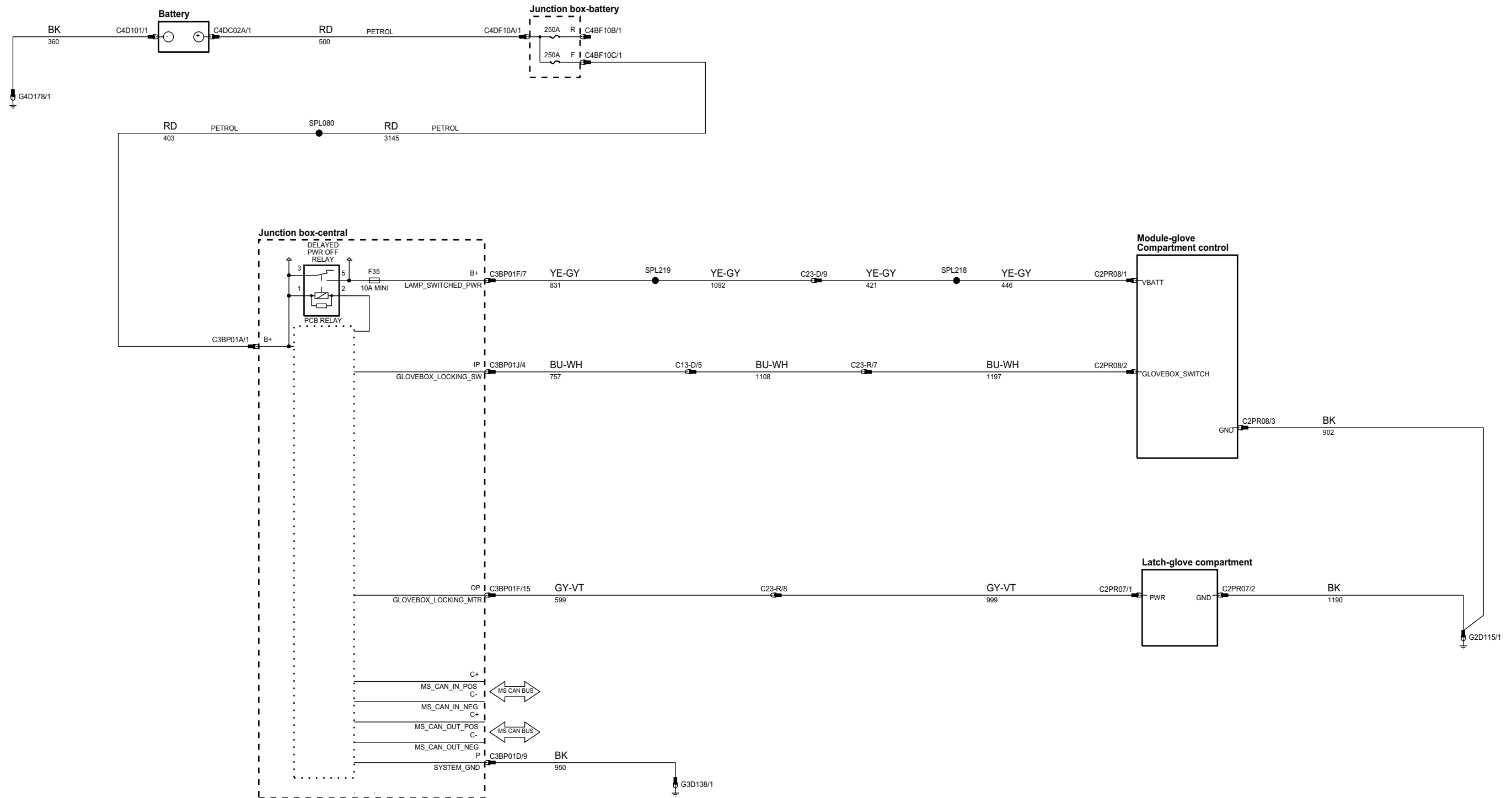


phar83-70477-a-ae

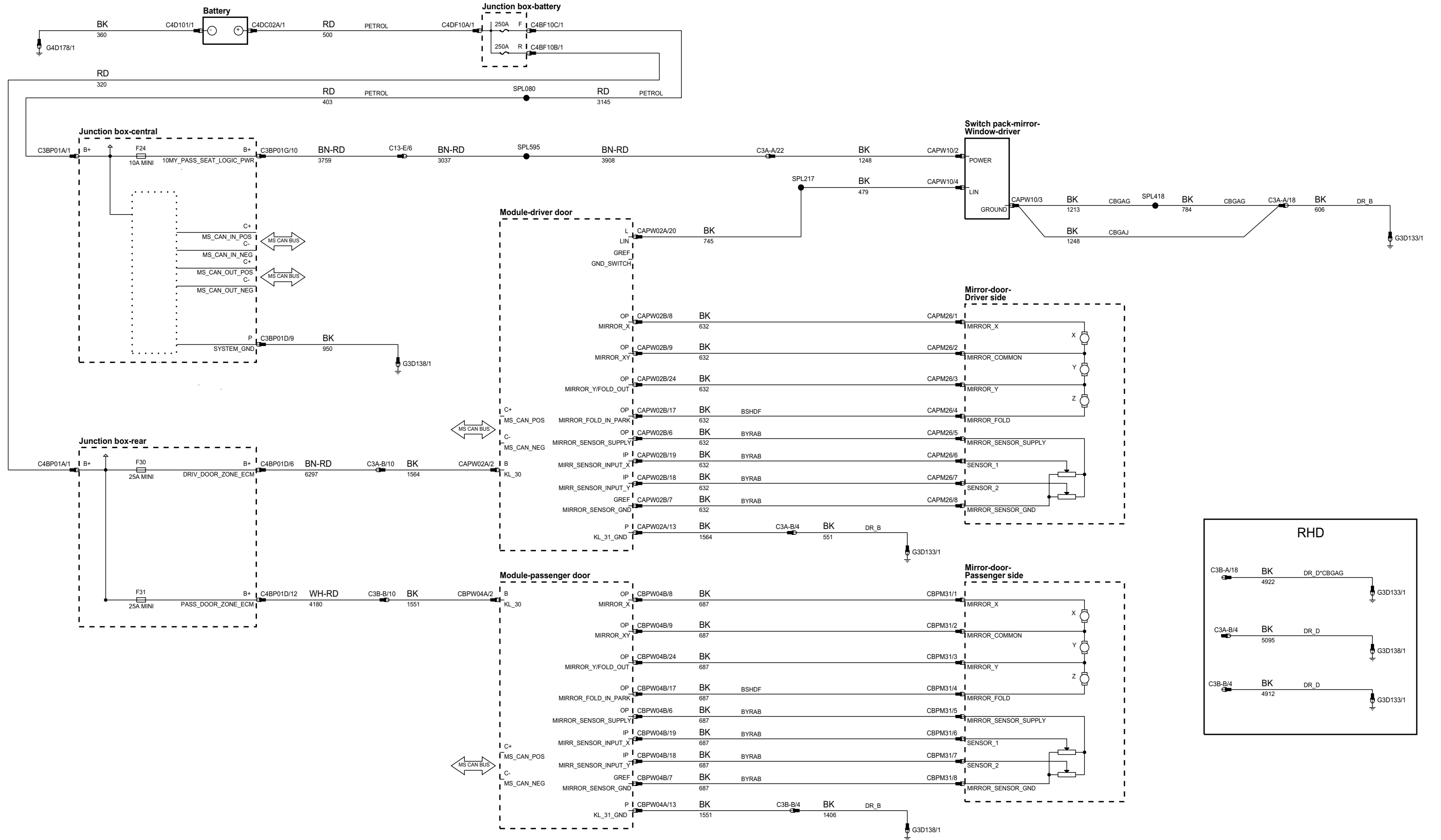




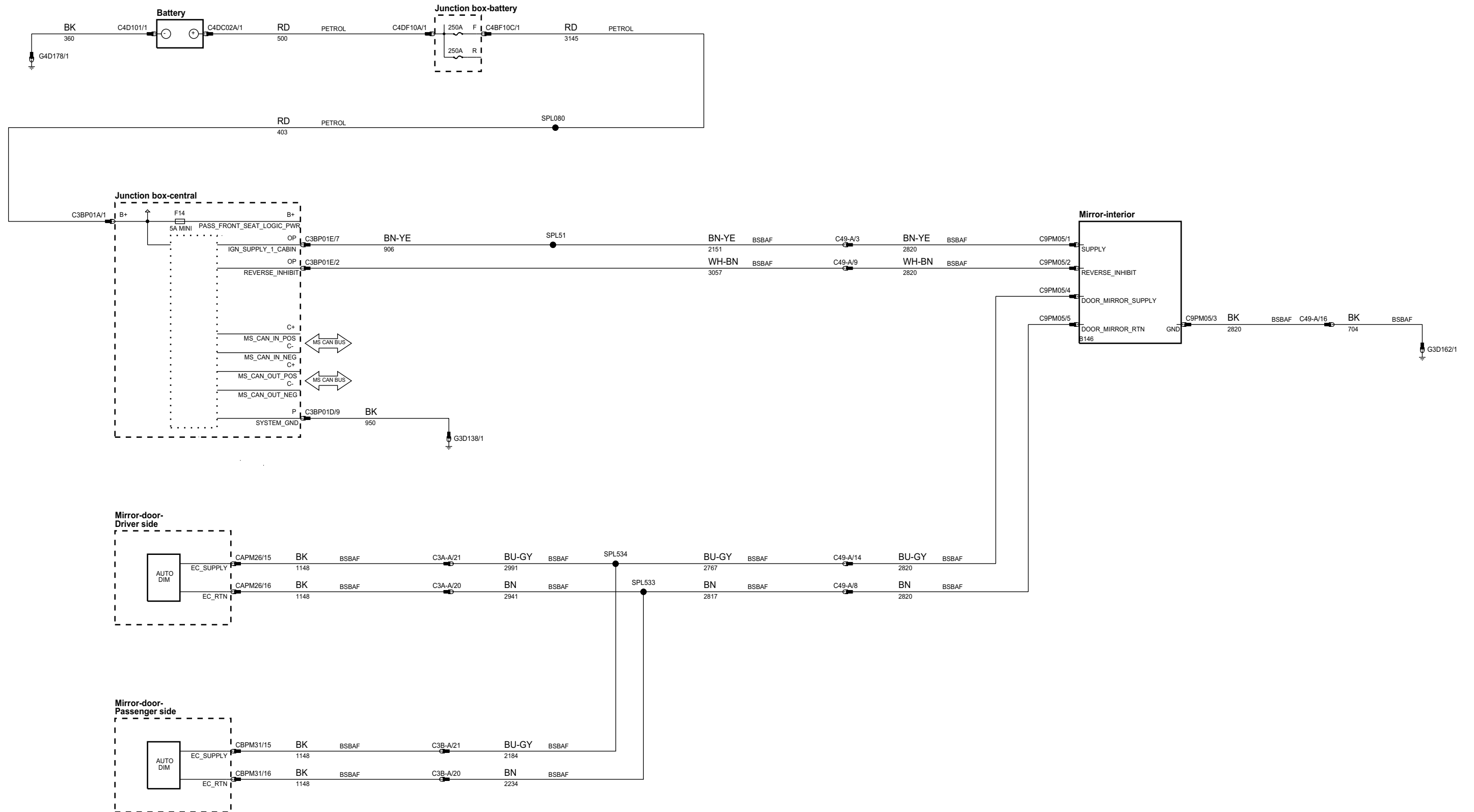
phar83-70101-b-ae



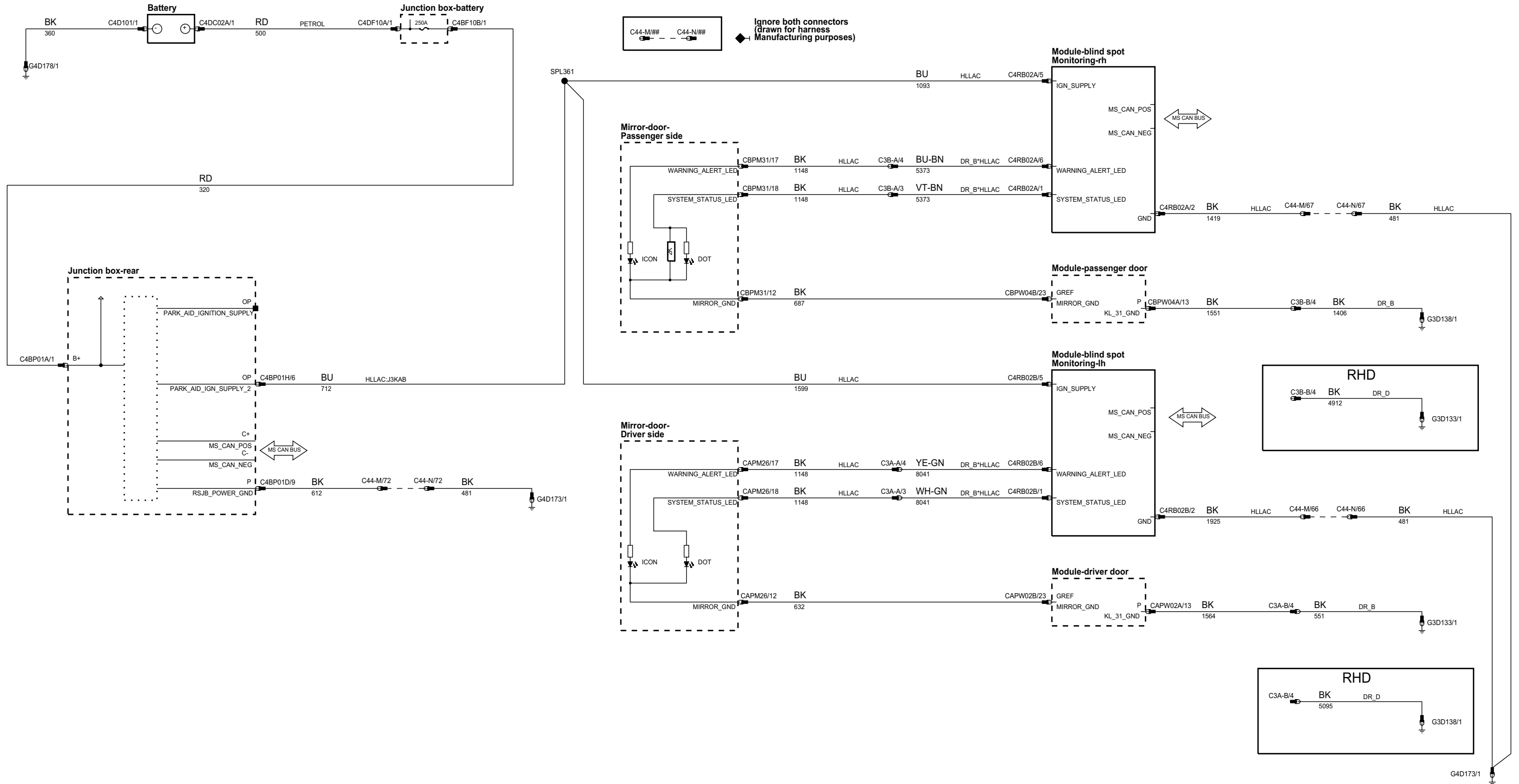
phar83-70333-a-ae



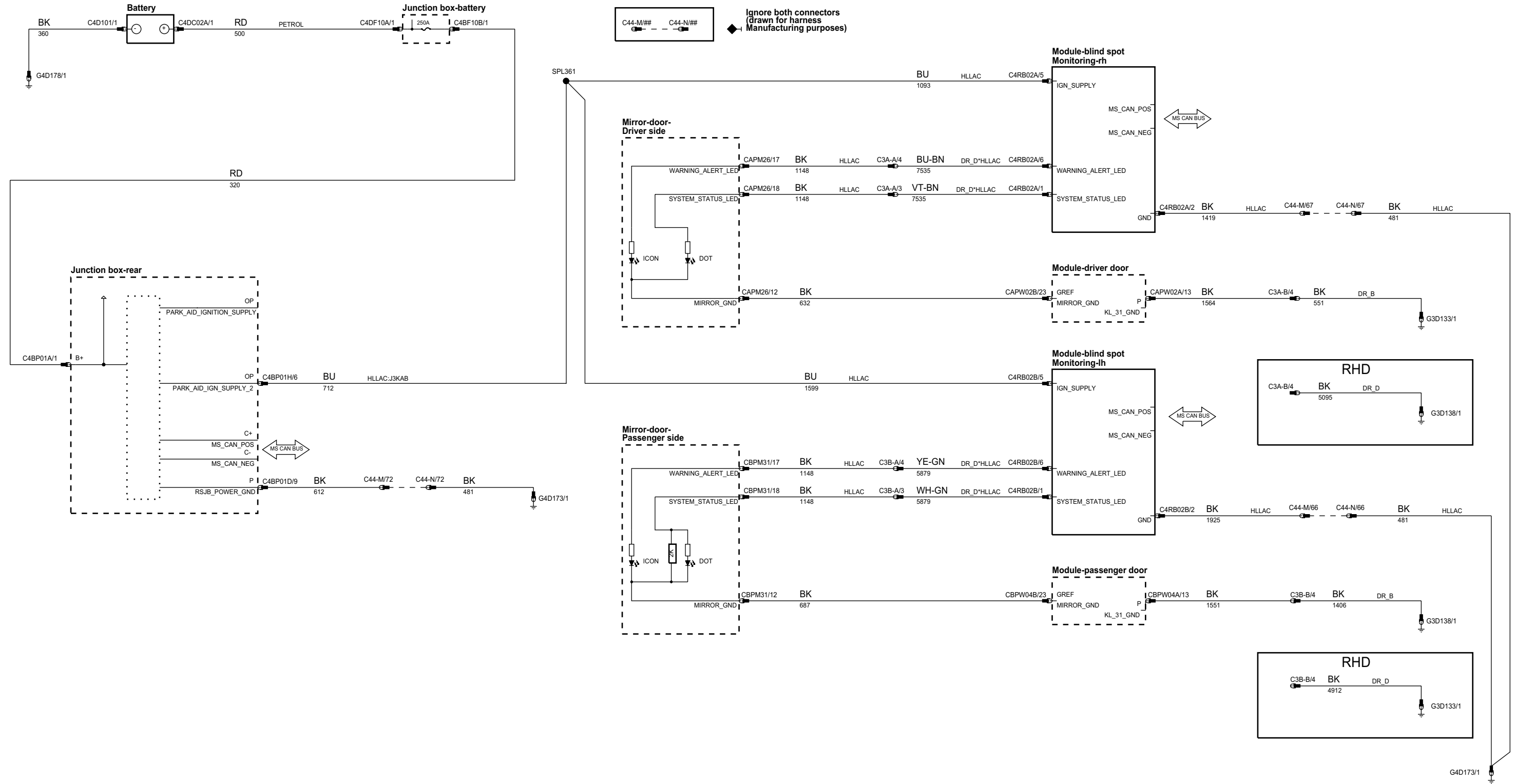
phar83-70331-a-ae



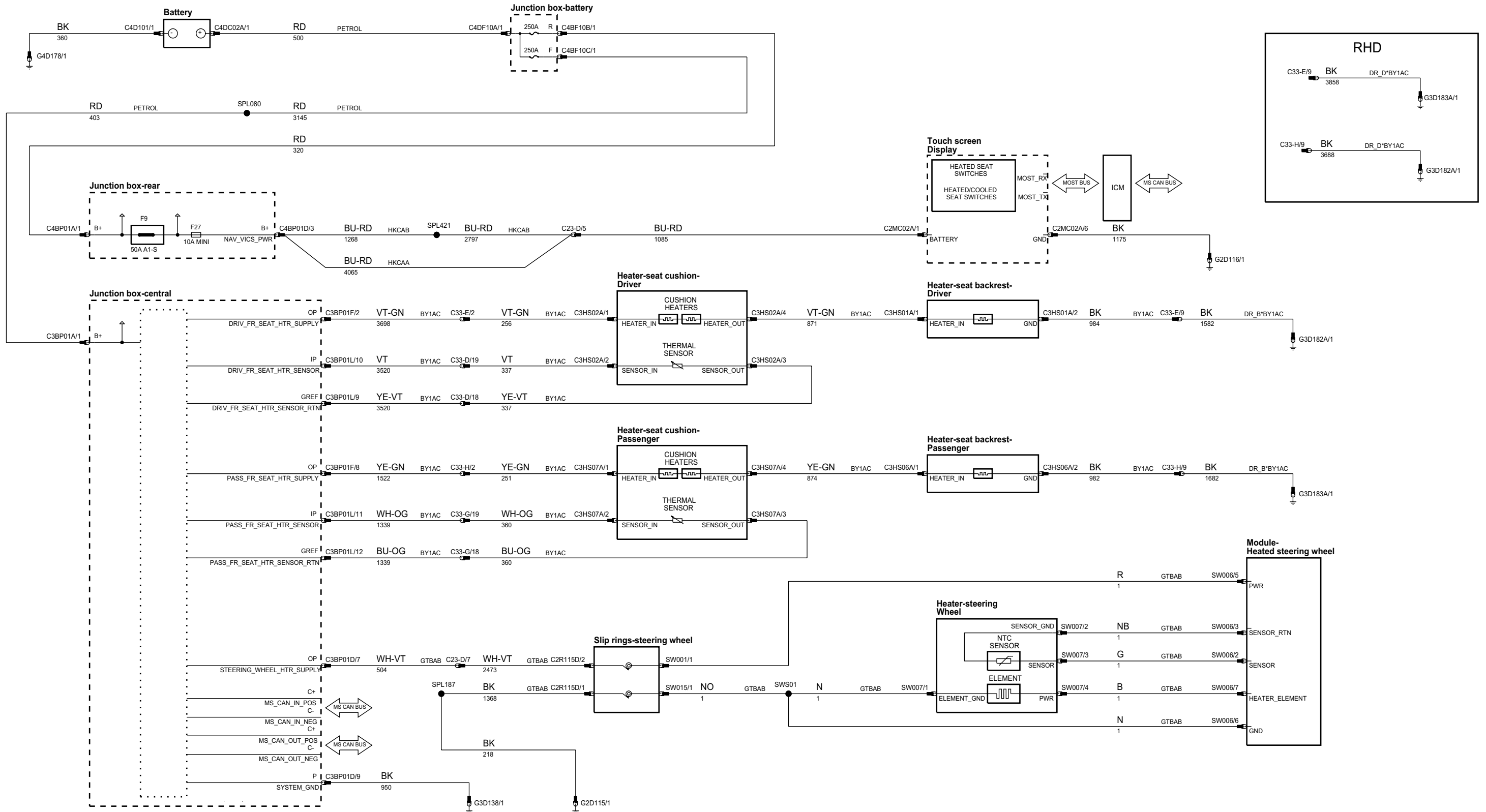
phar83-70483-a-ae



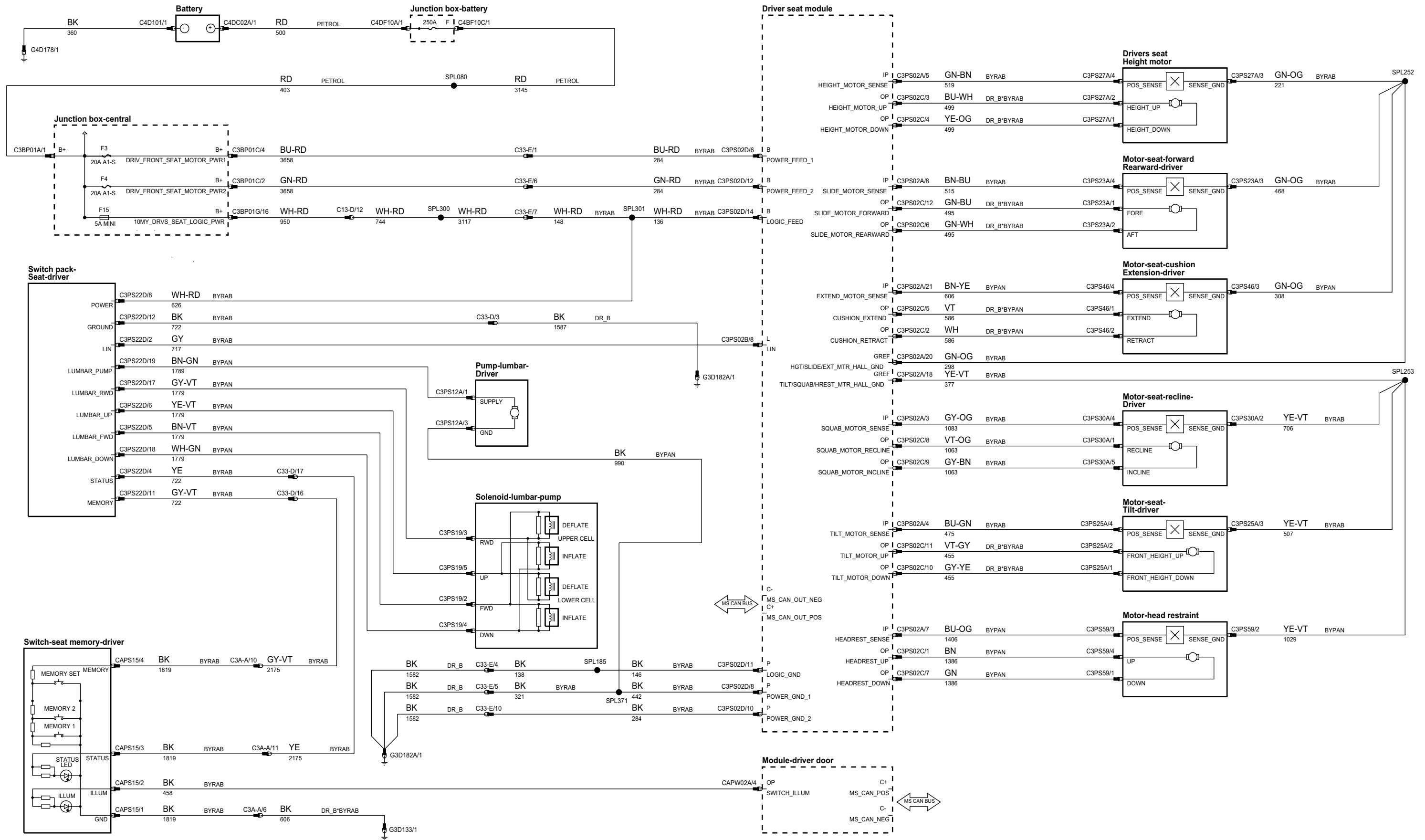
phar83-70483-b-ae



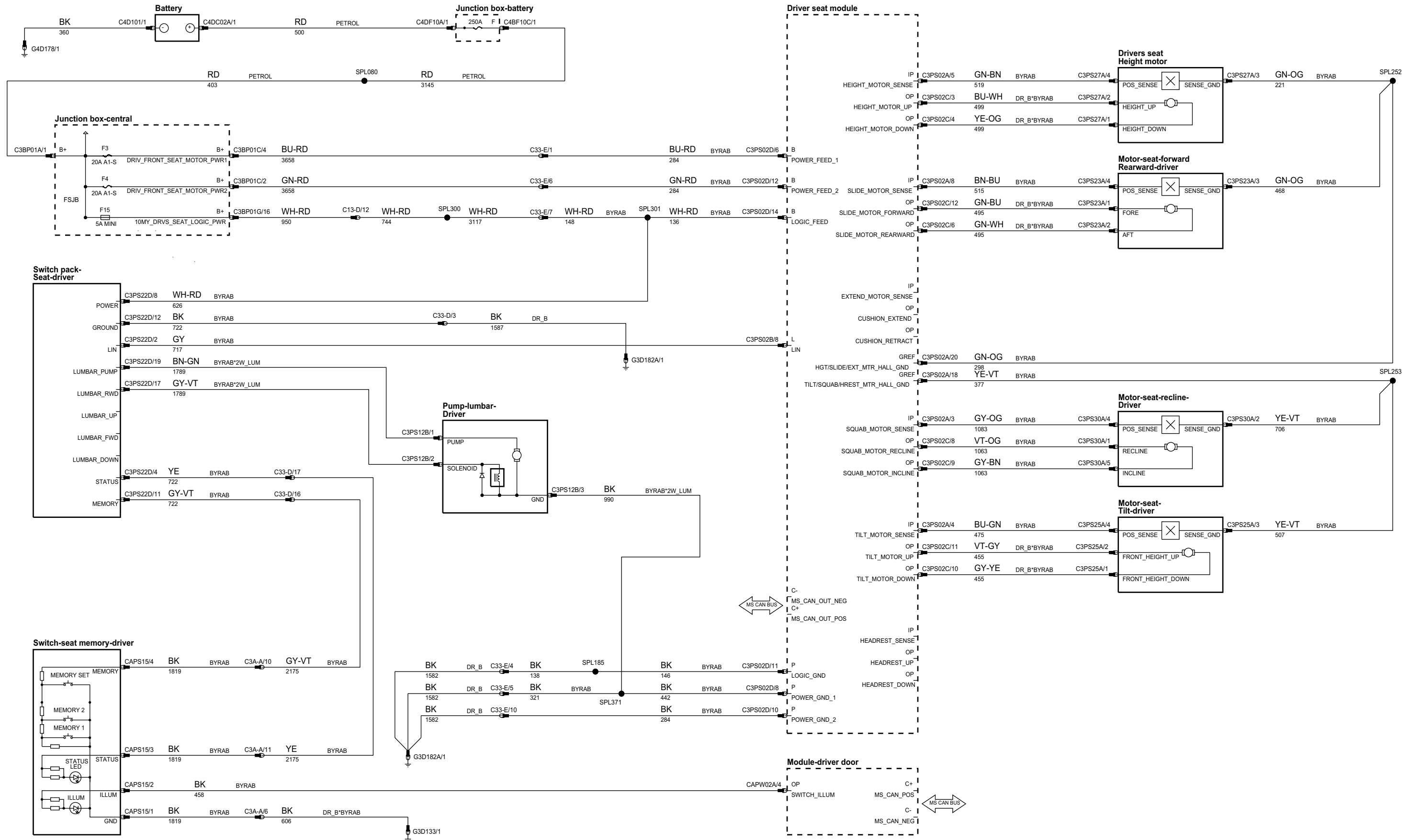
phar83-70347-b-ae



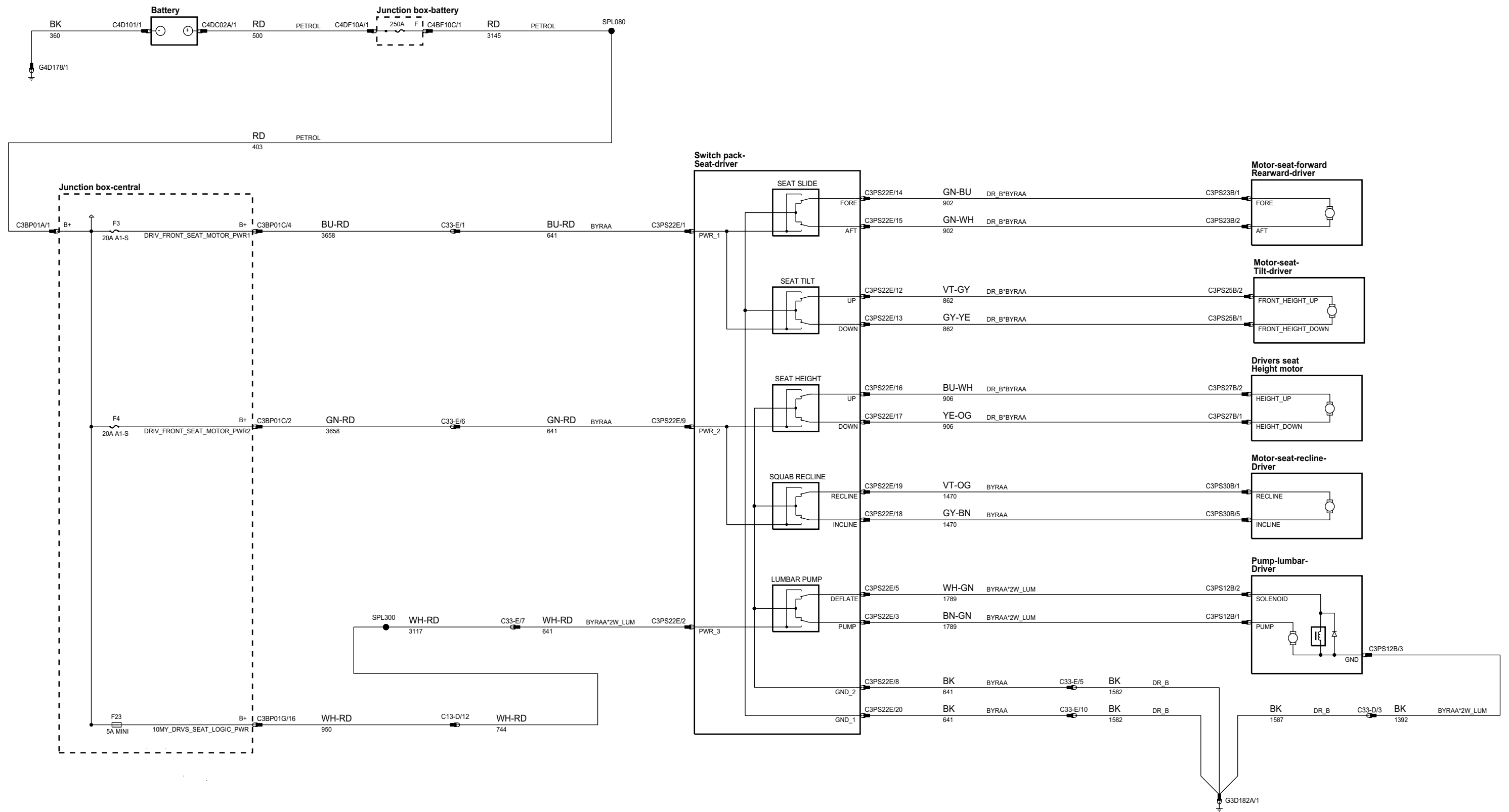
phar83-70346-a-ae



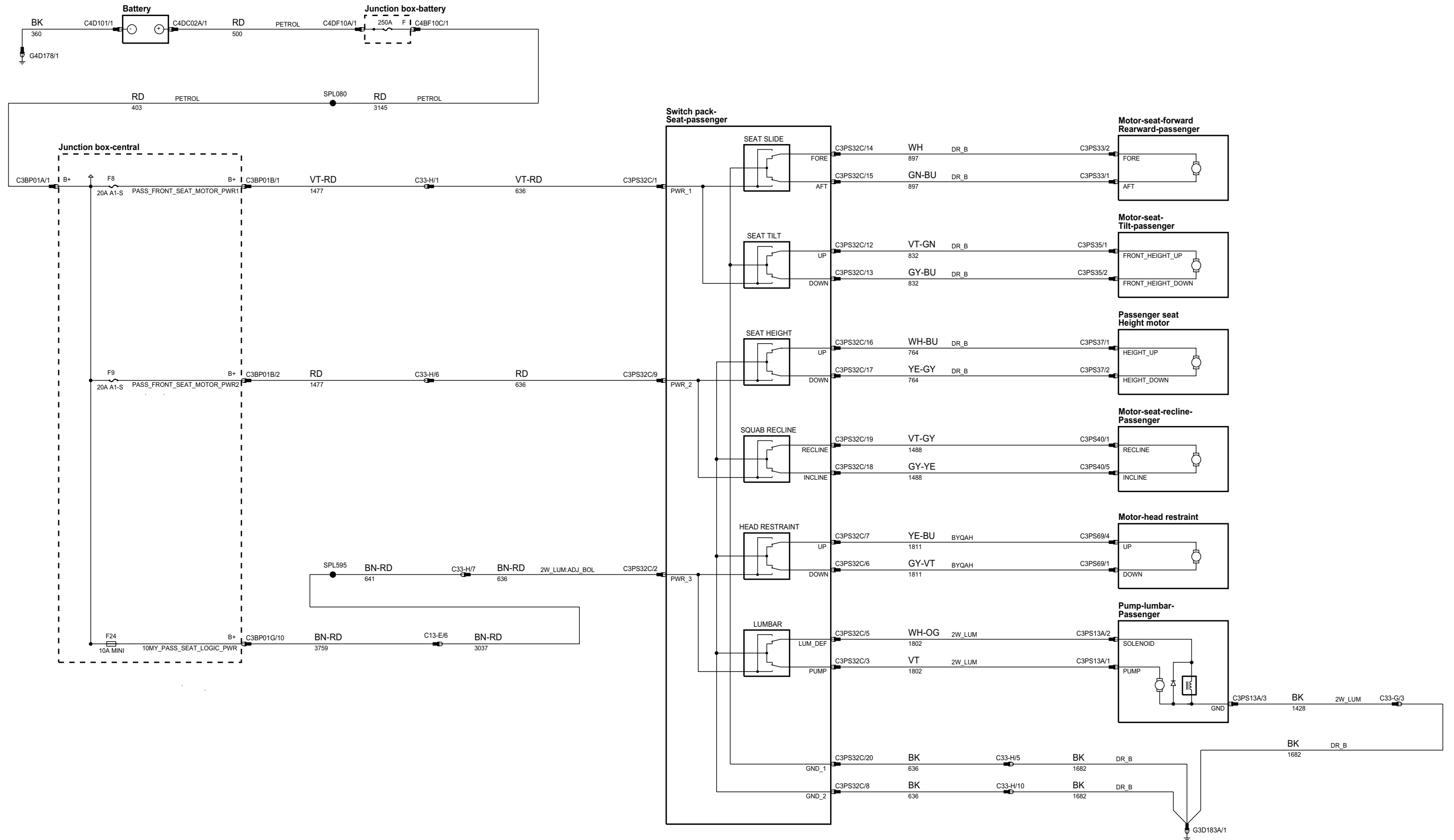
phar83-70346-b-ae



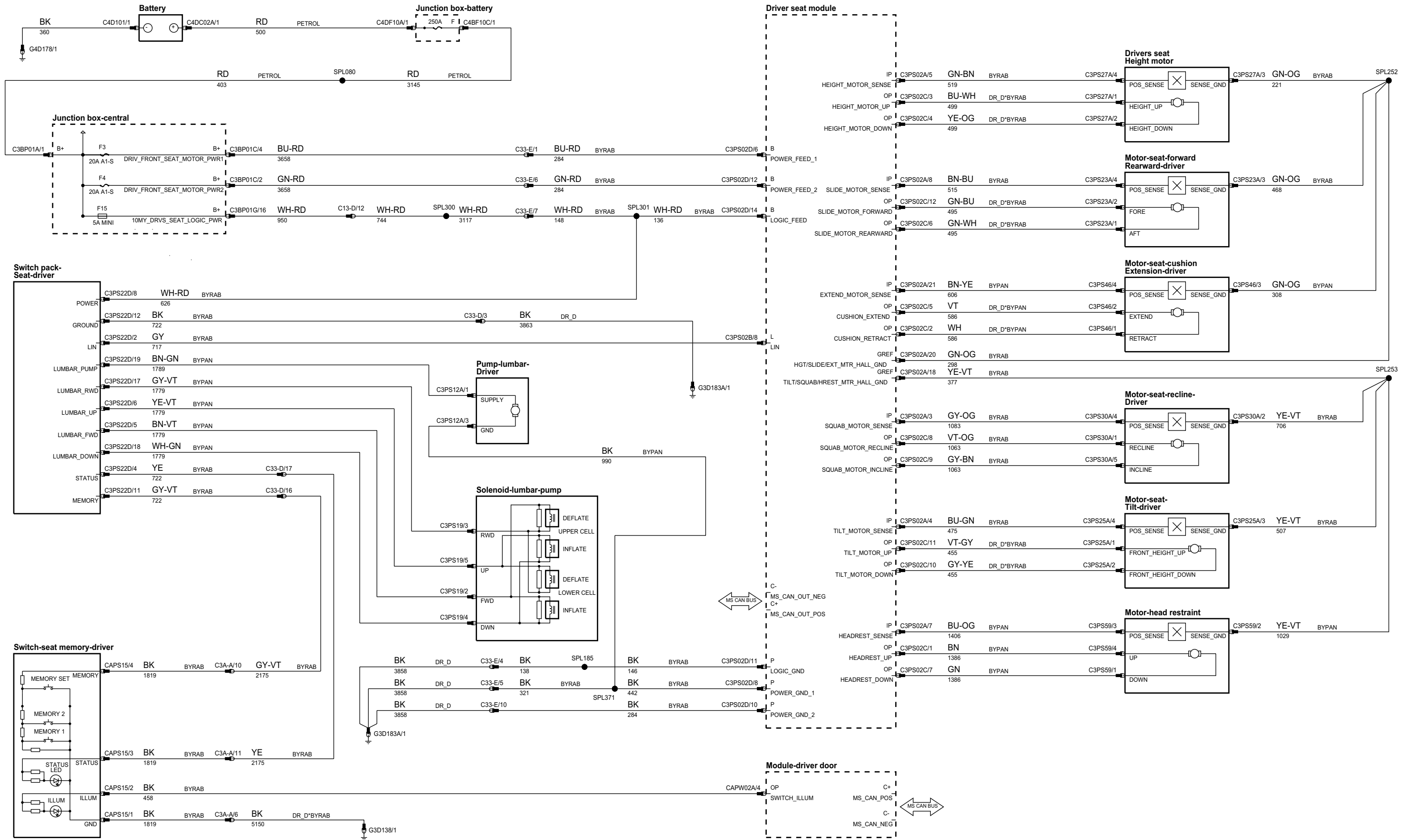
phar83-70340-a-ae



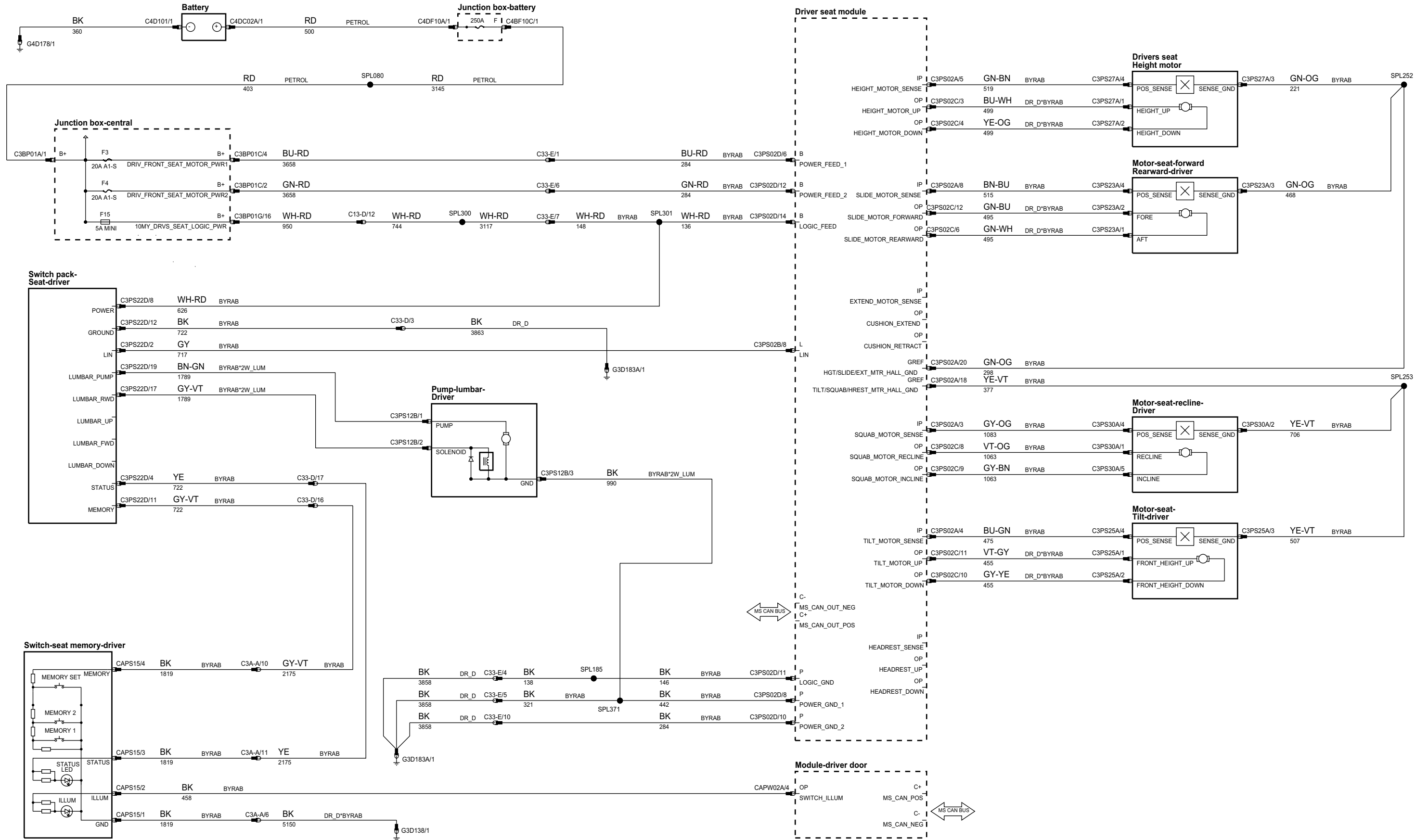
phar83-70343-a-ae



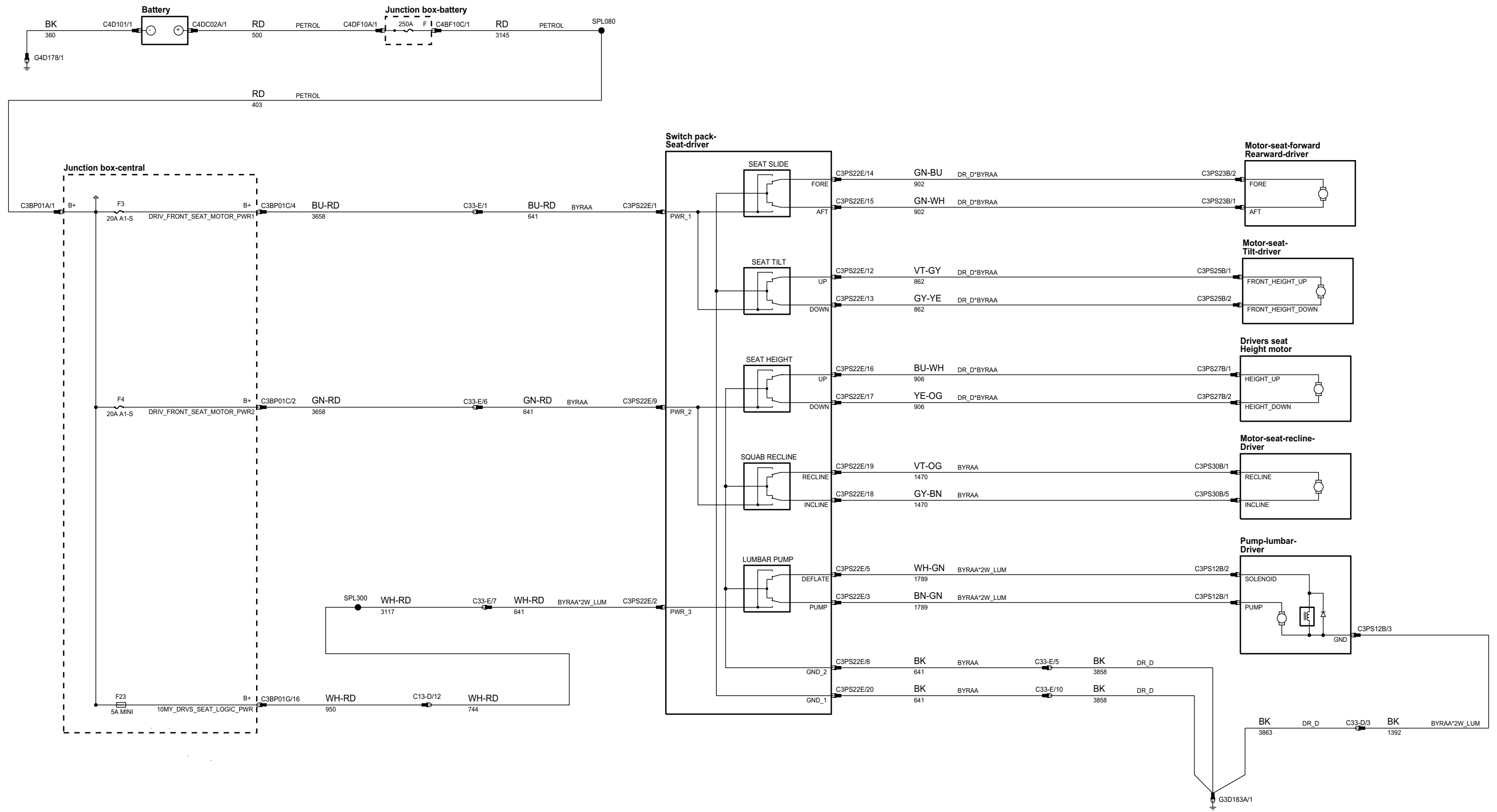
phar83-70346-c-ae



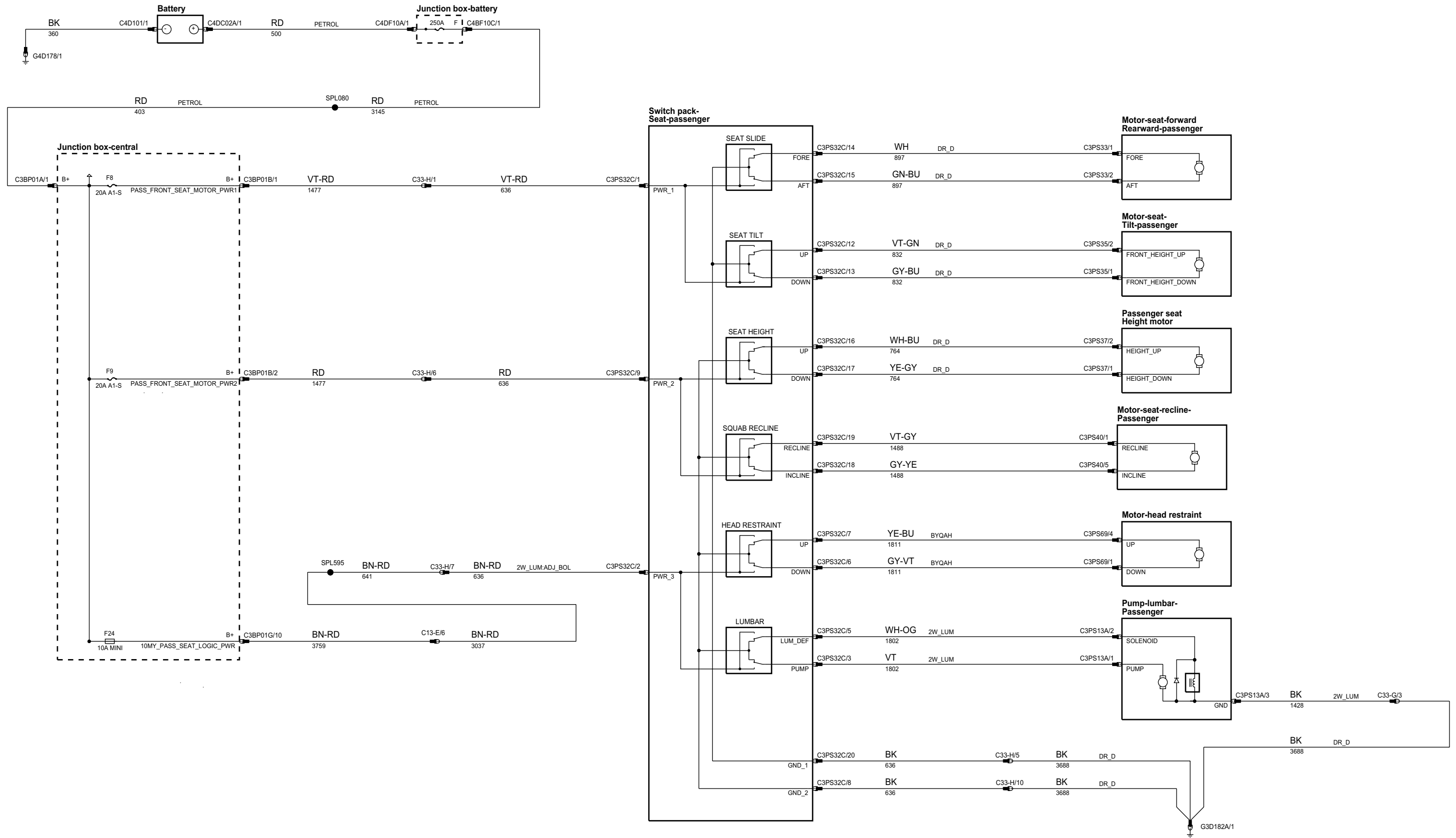
phar83-70346-4-ae



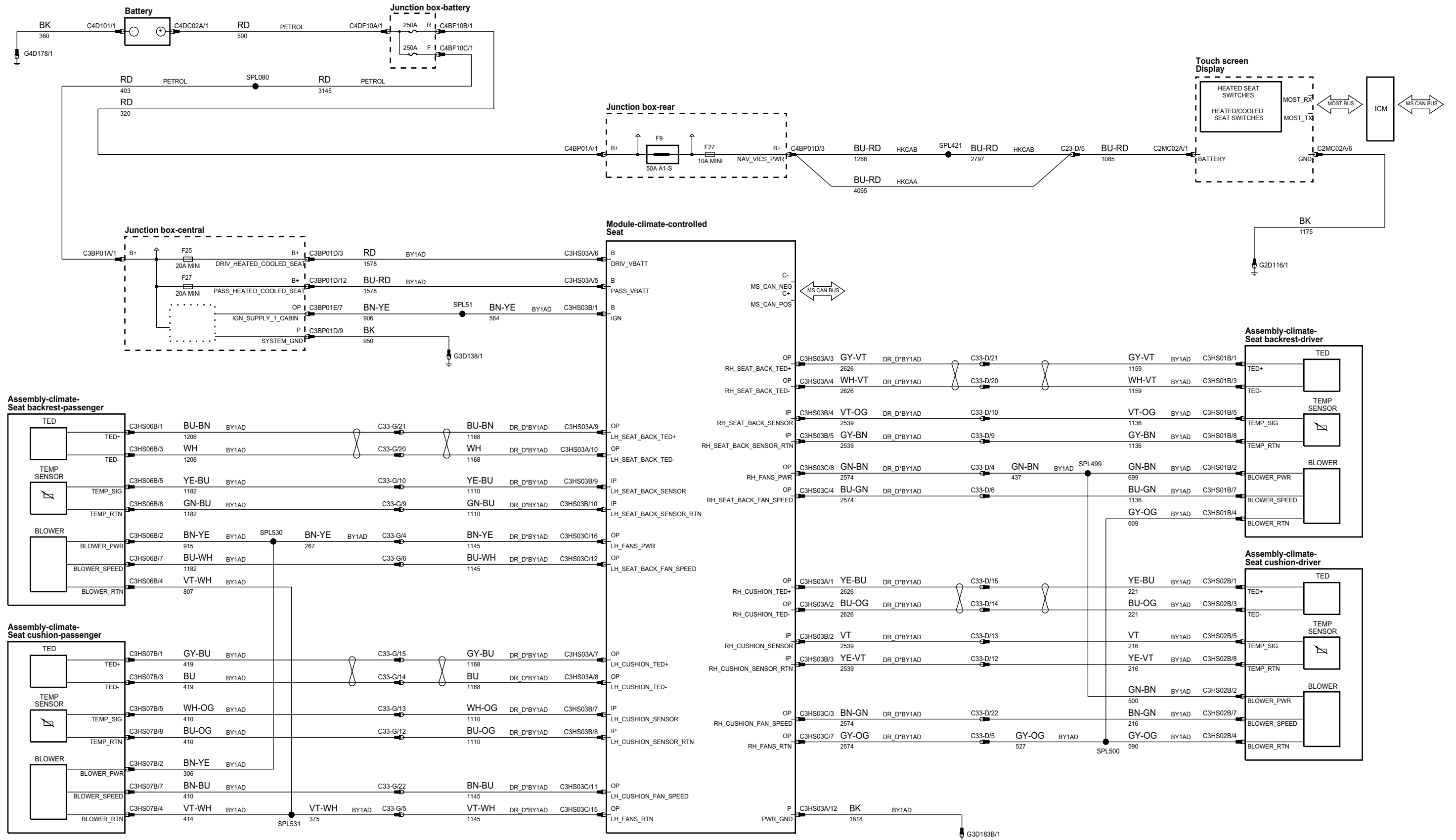
phar83-70340-b-ae



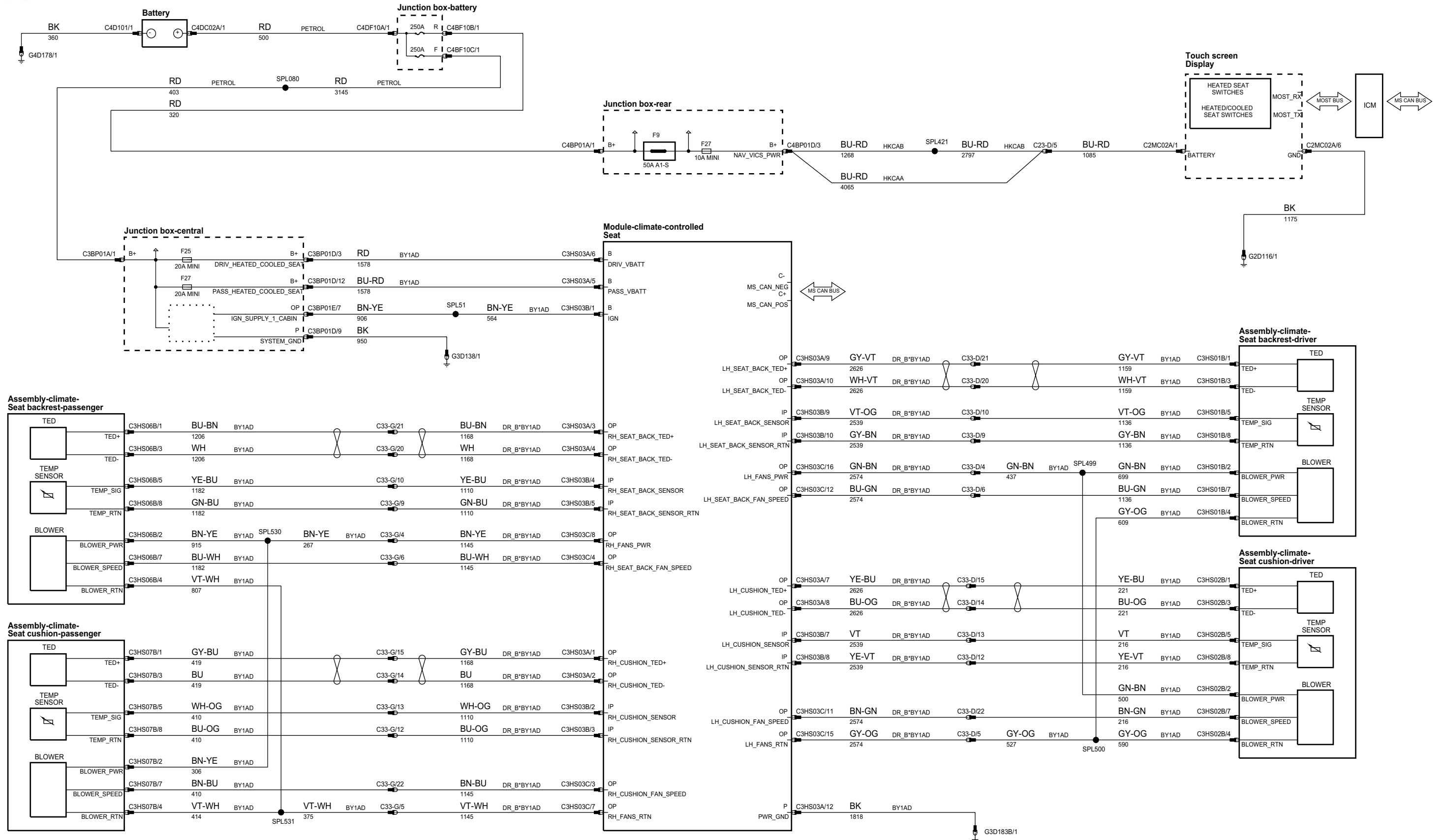
phar83-70343-b-ae



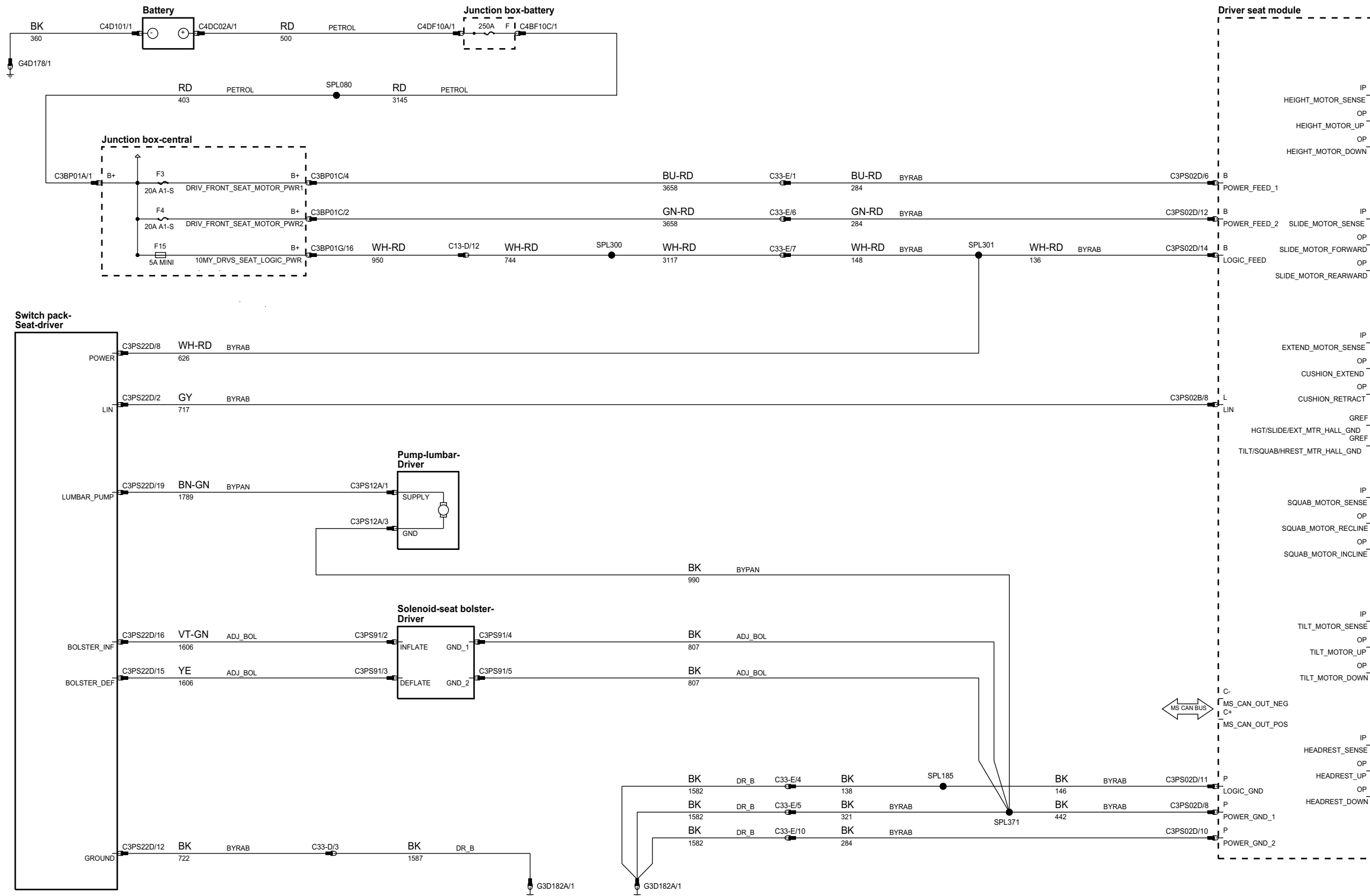
phar83-70347-c-ae



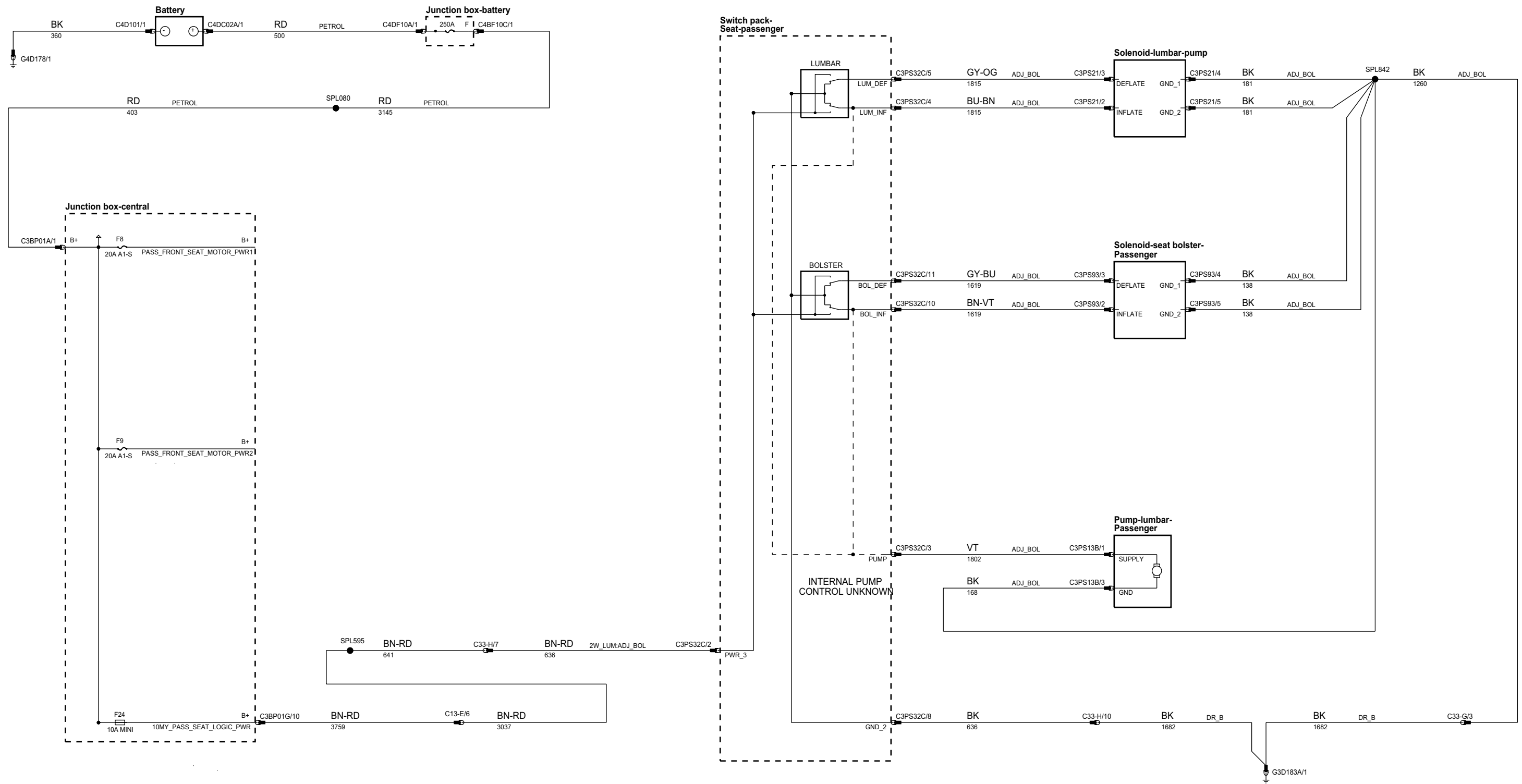
phar83-70347-a-ae



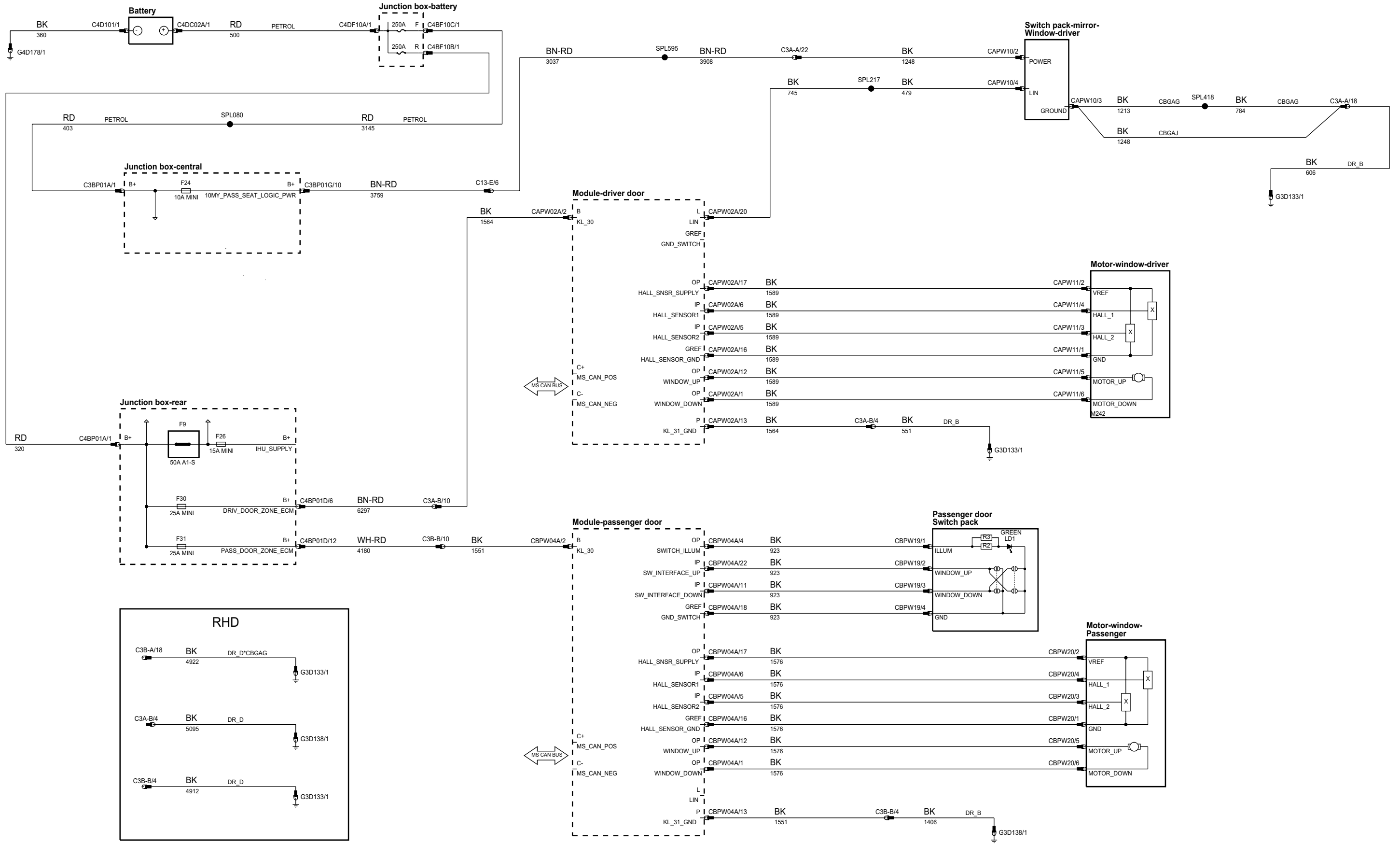
phar83-70348-a-ae



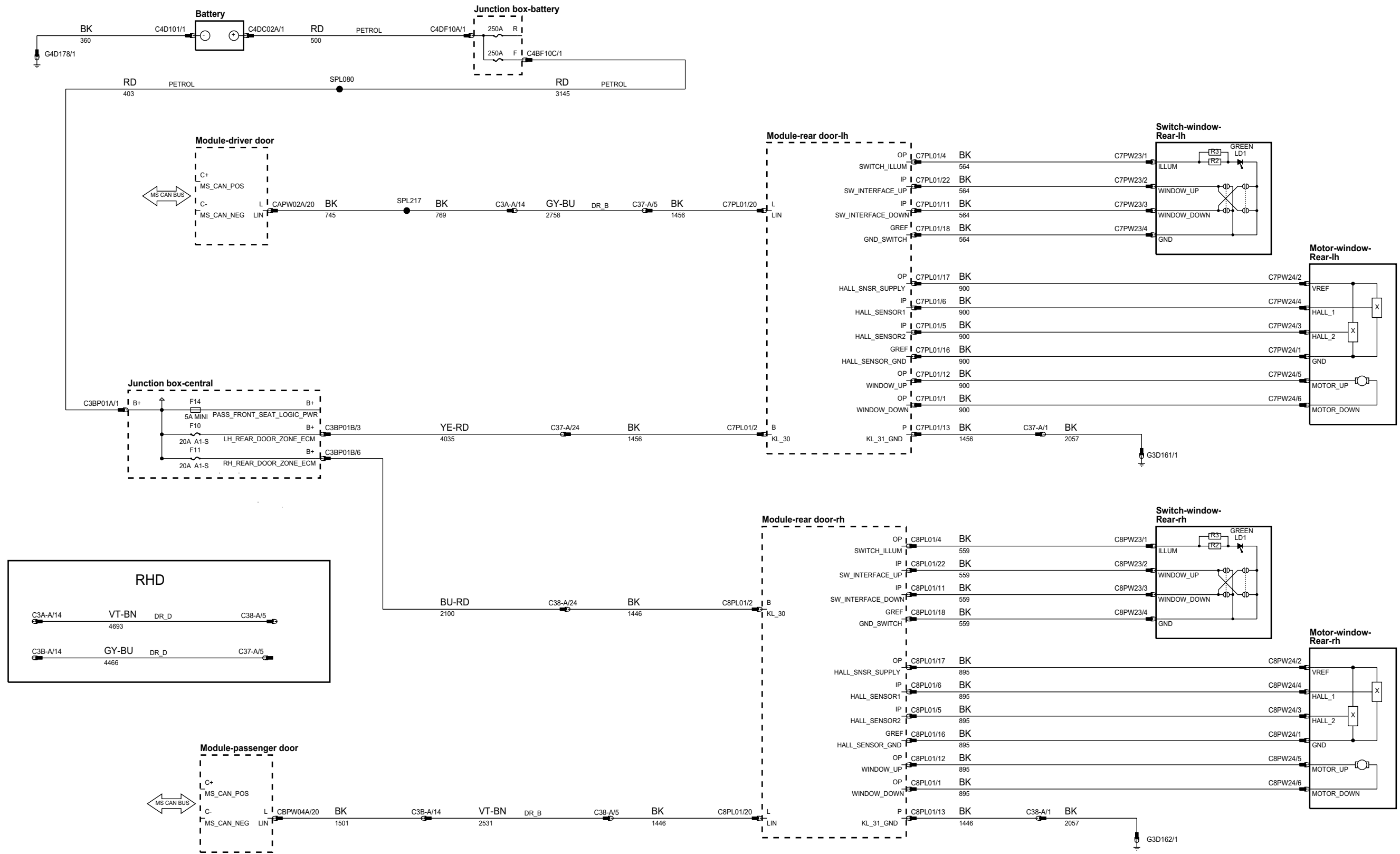
phar83-70348-b-ae



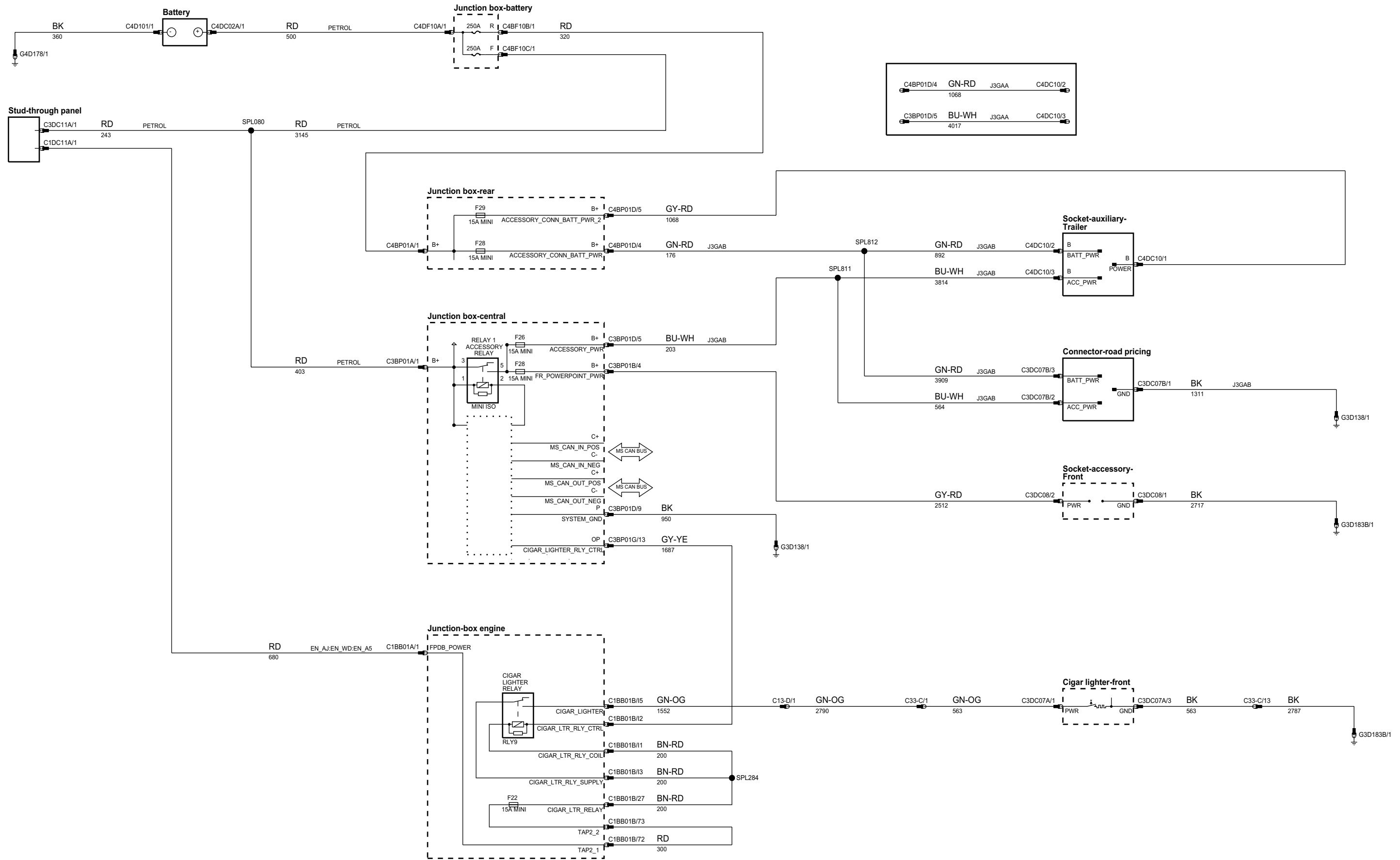
phar83-70316-a-ae



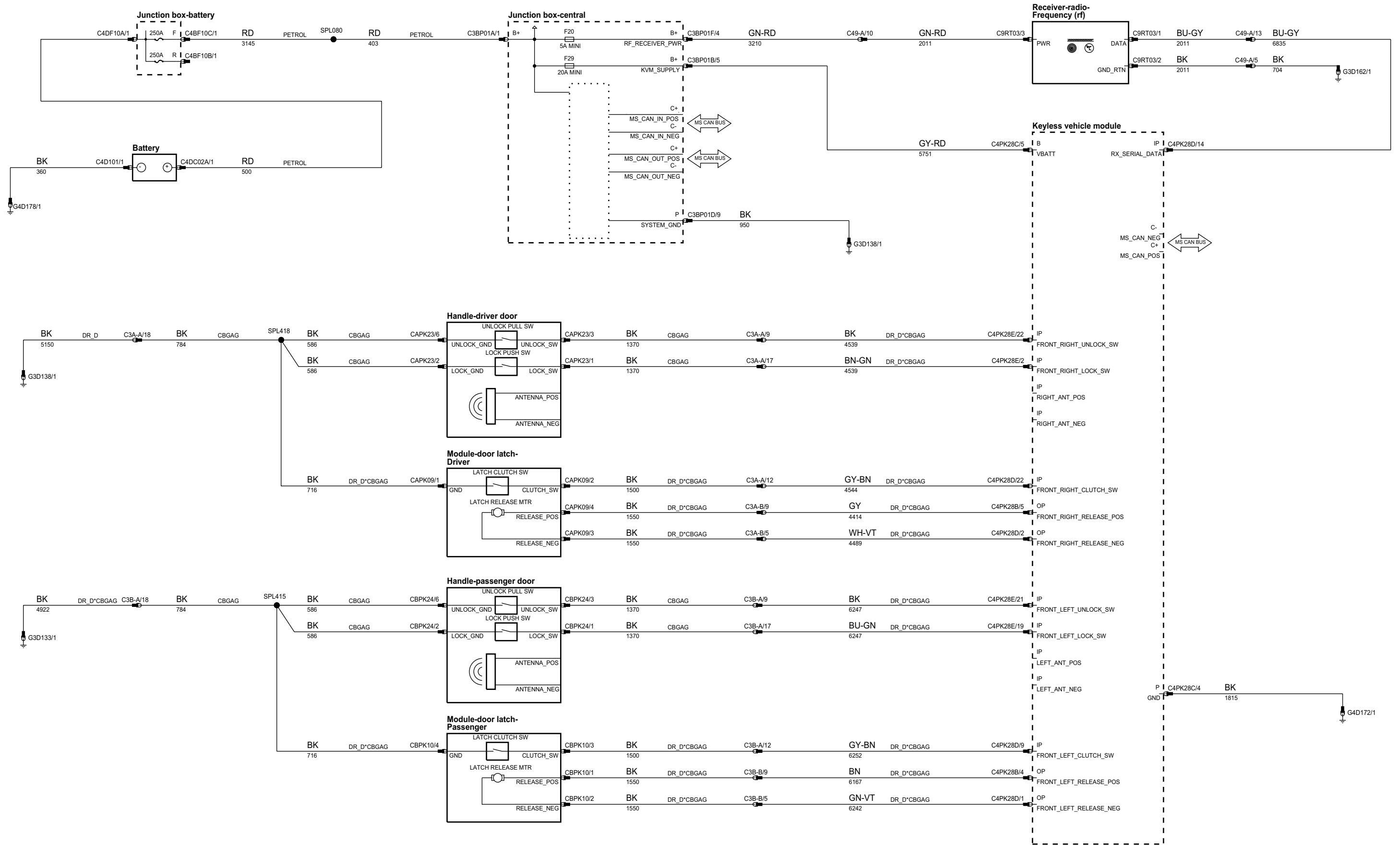
phar83-70316-b-ae



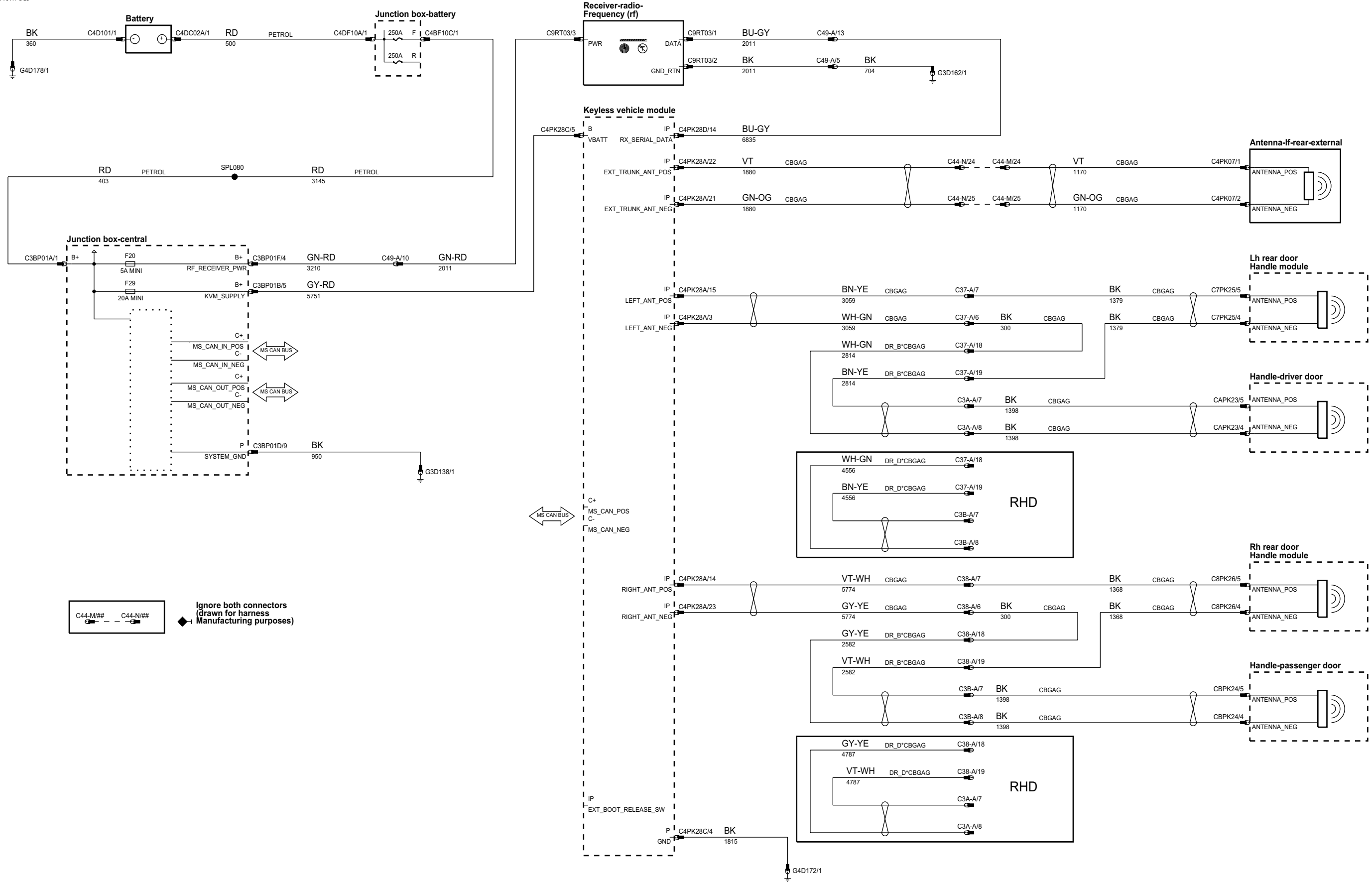
phar83-70365-a-ae



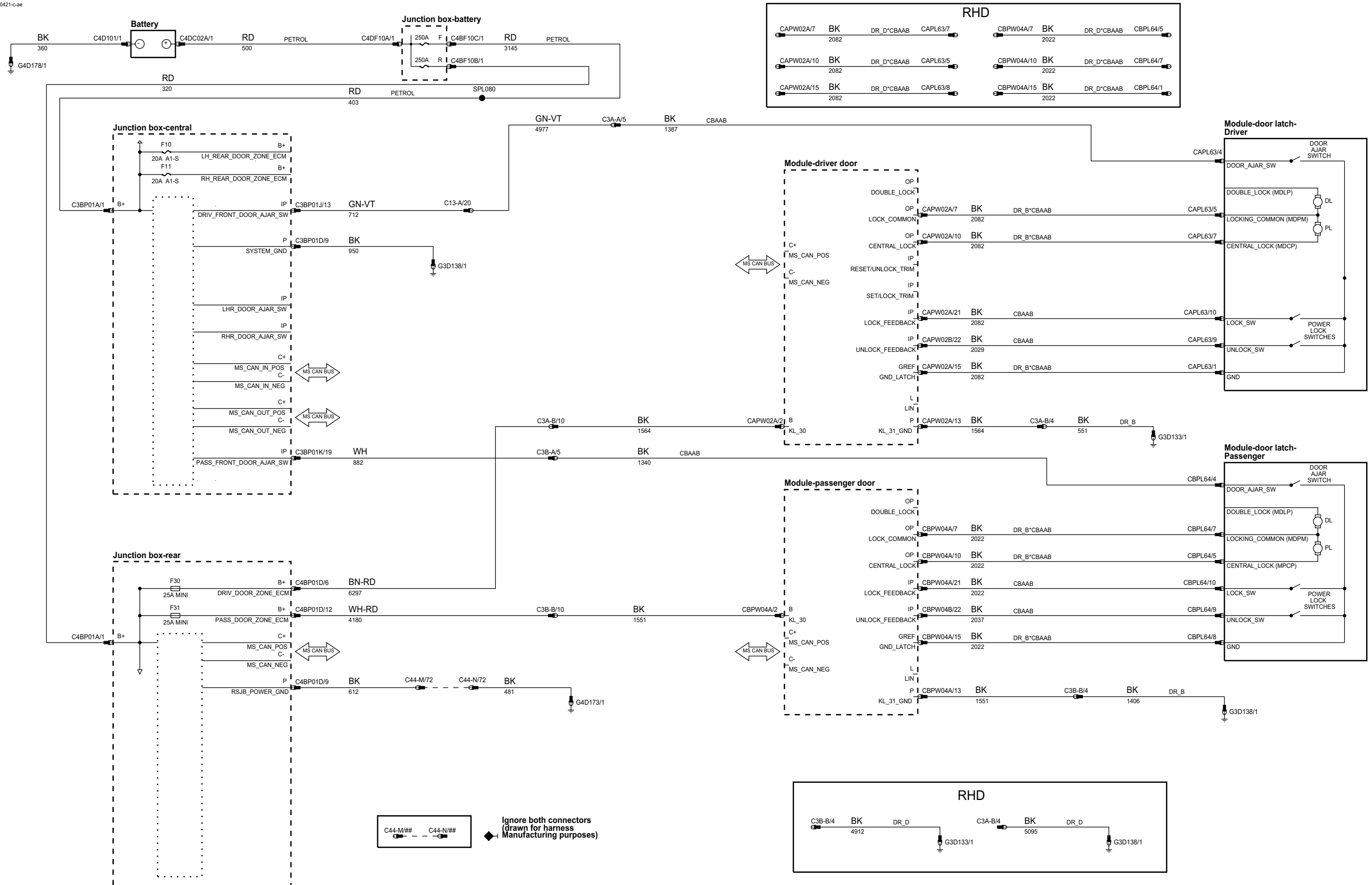
phar83-70417-b-ae



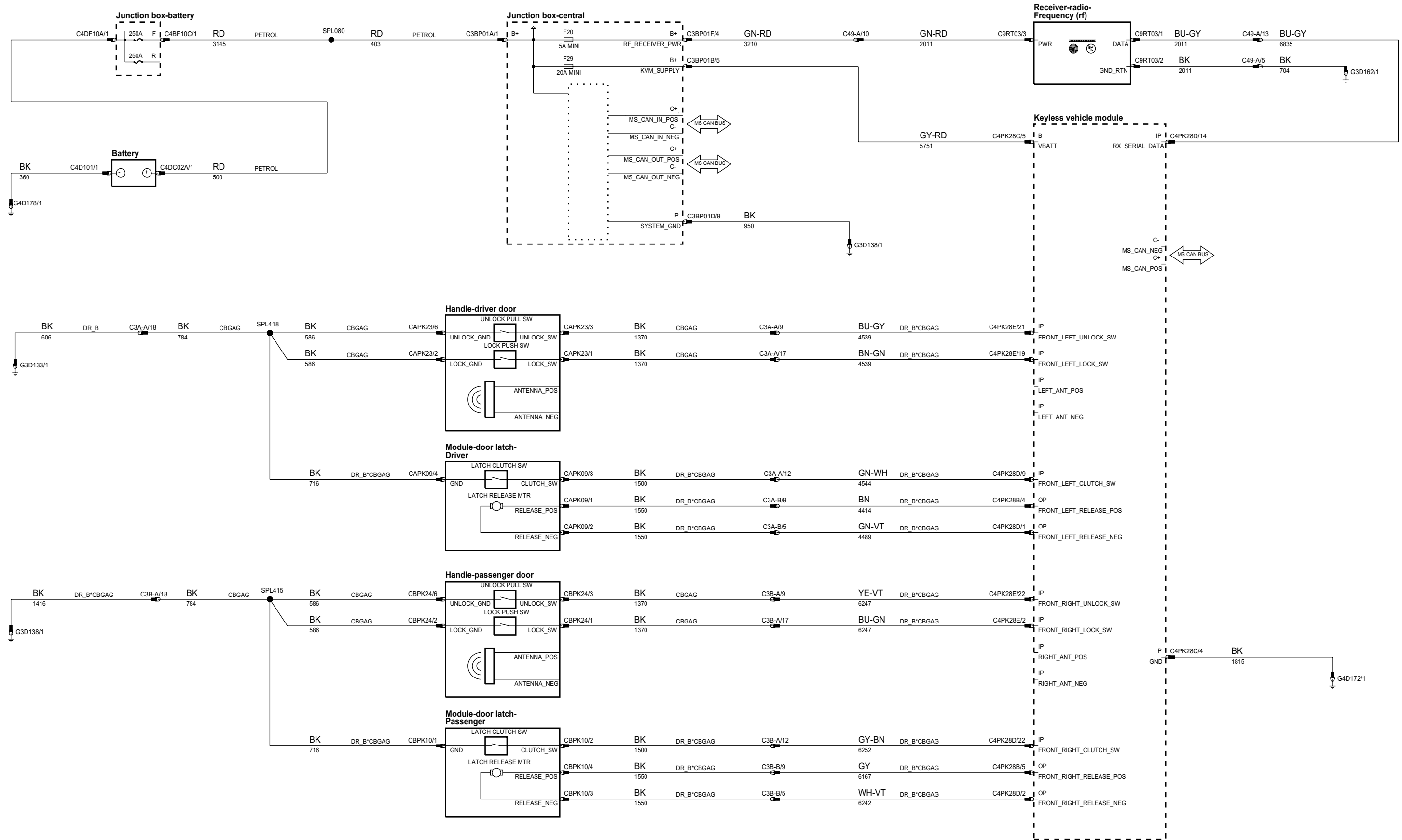
phar83-70417-d-ae



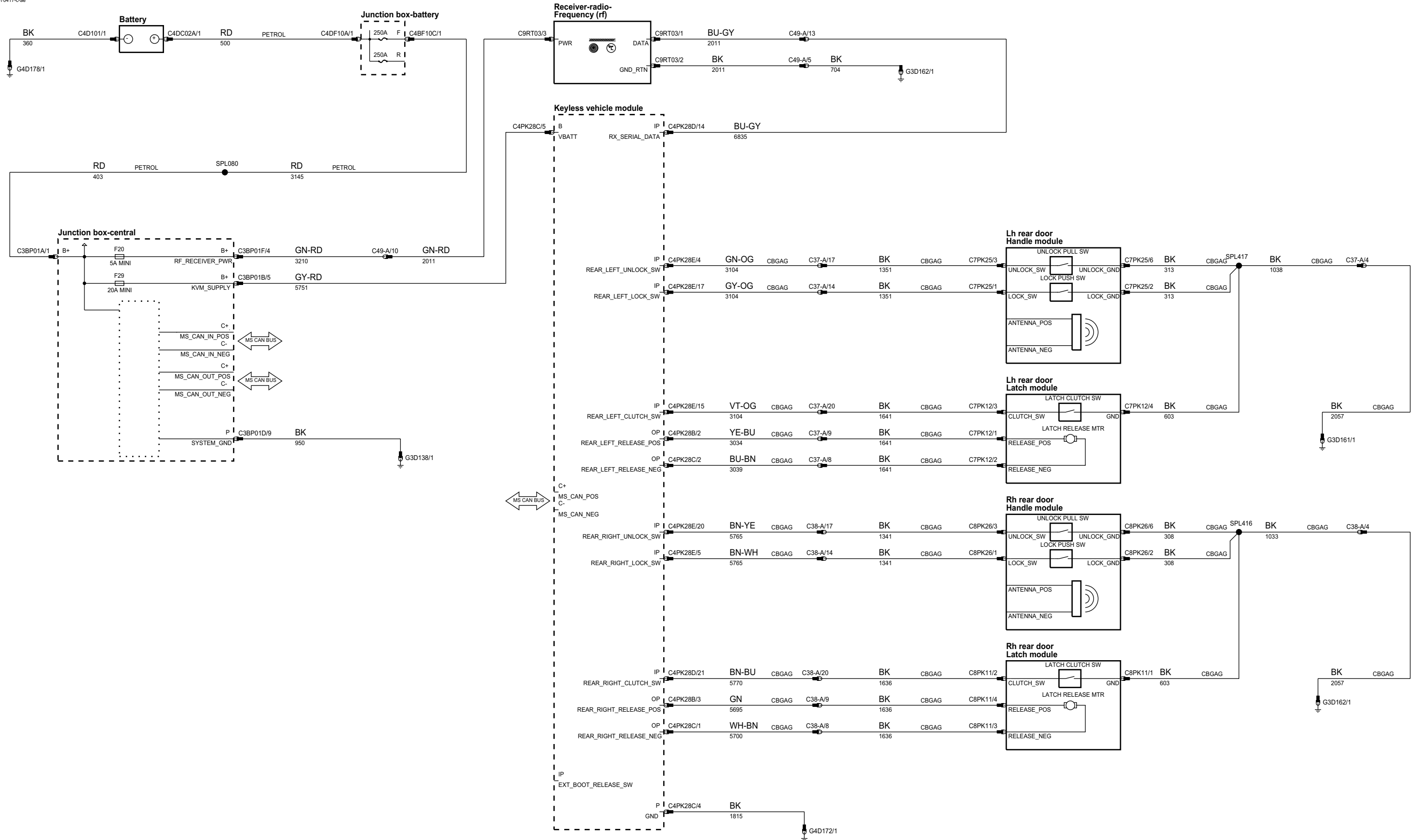
phar83-70421-c-ae



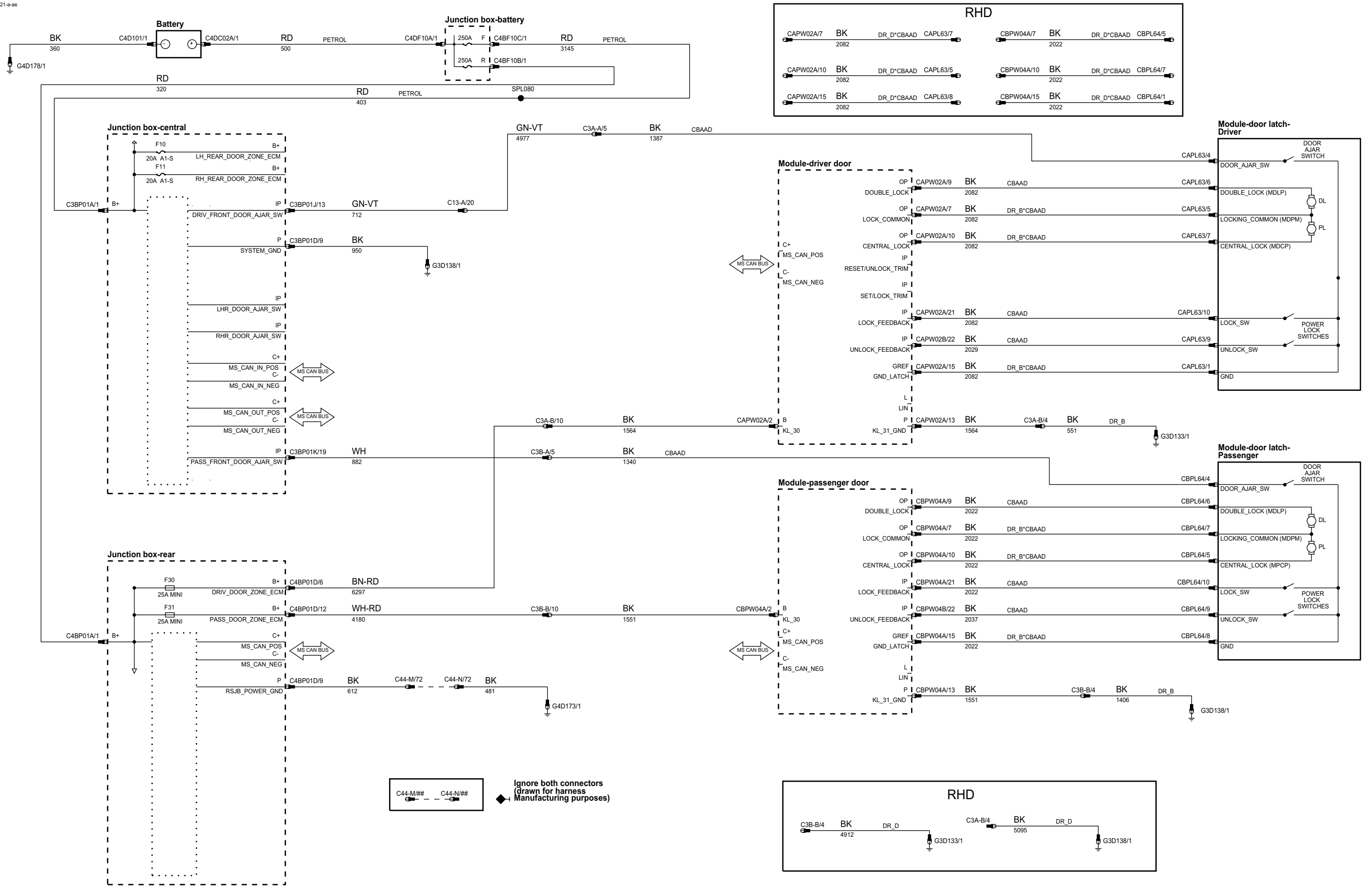
phar83-70417-a-ae



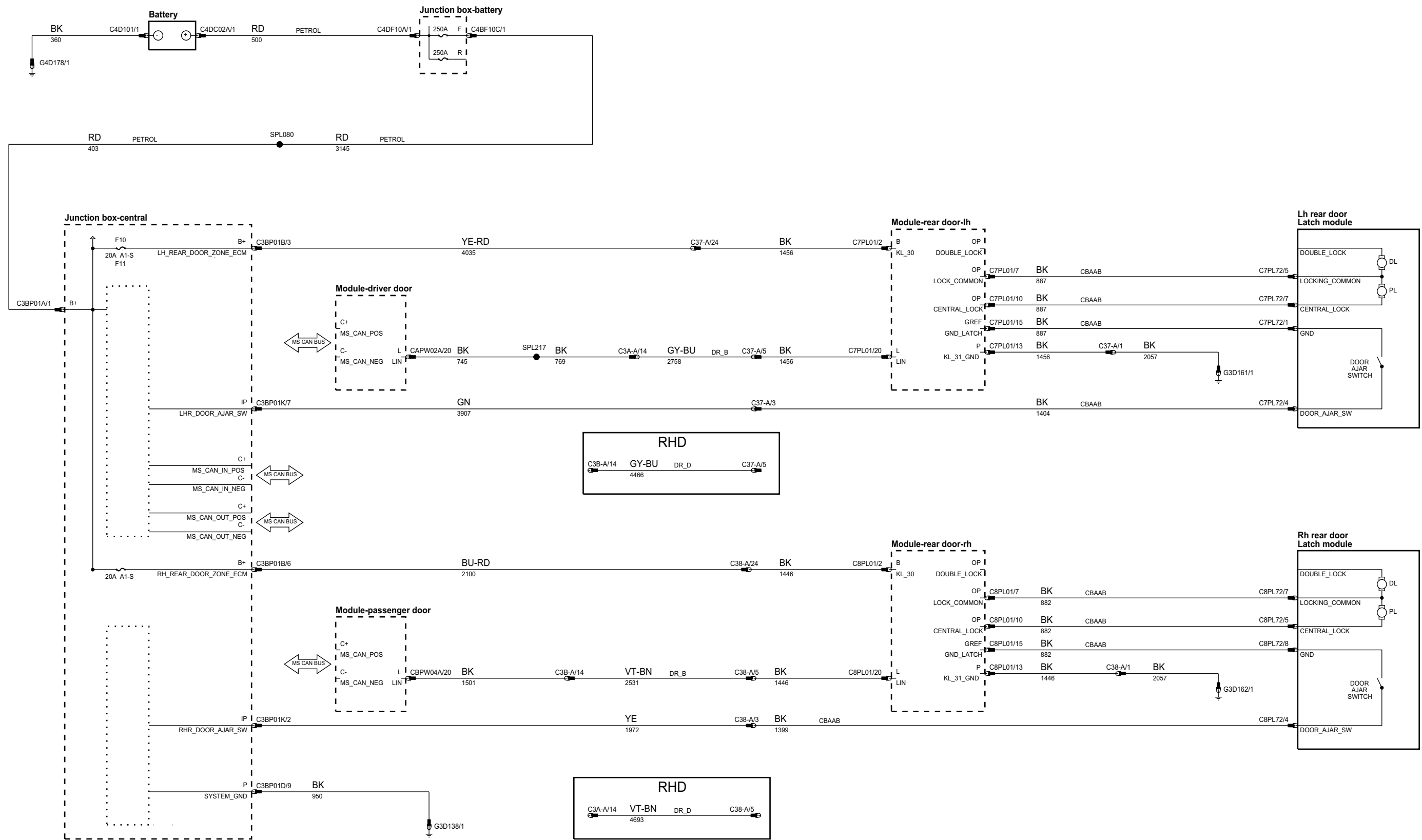
phar83-70417-c-ae



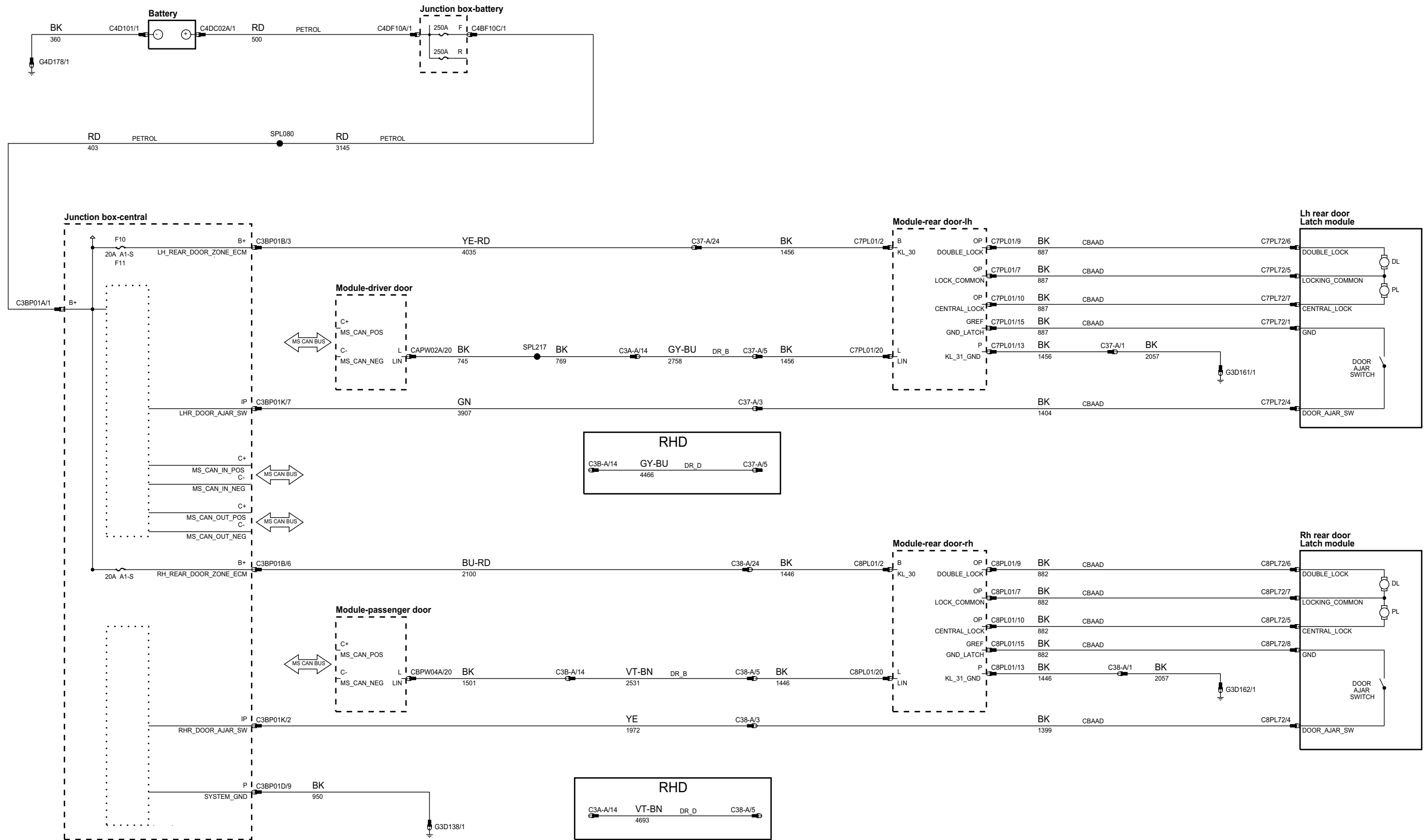
phar83-70421-a-ae



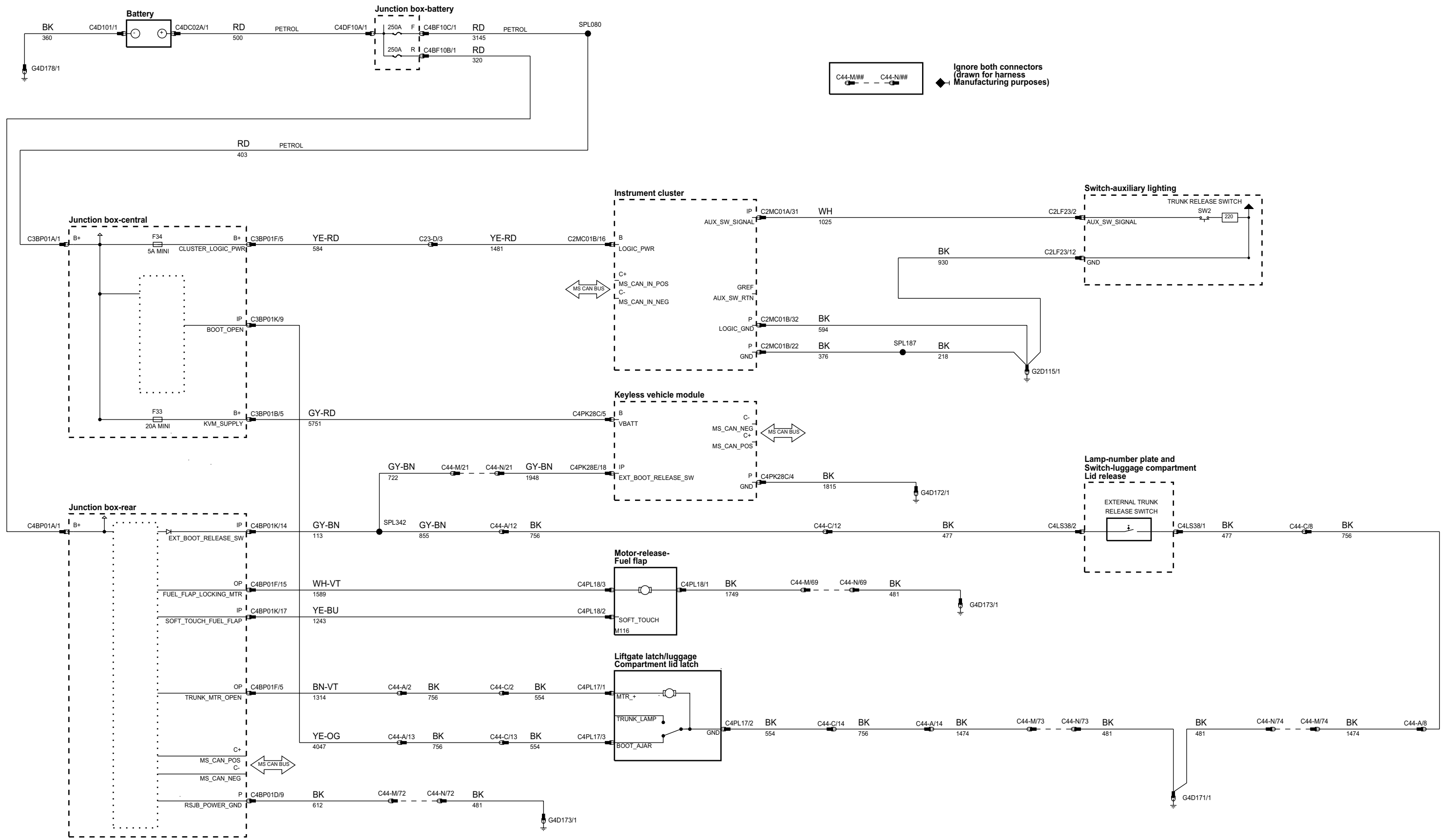
phar83-70421-e-ae



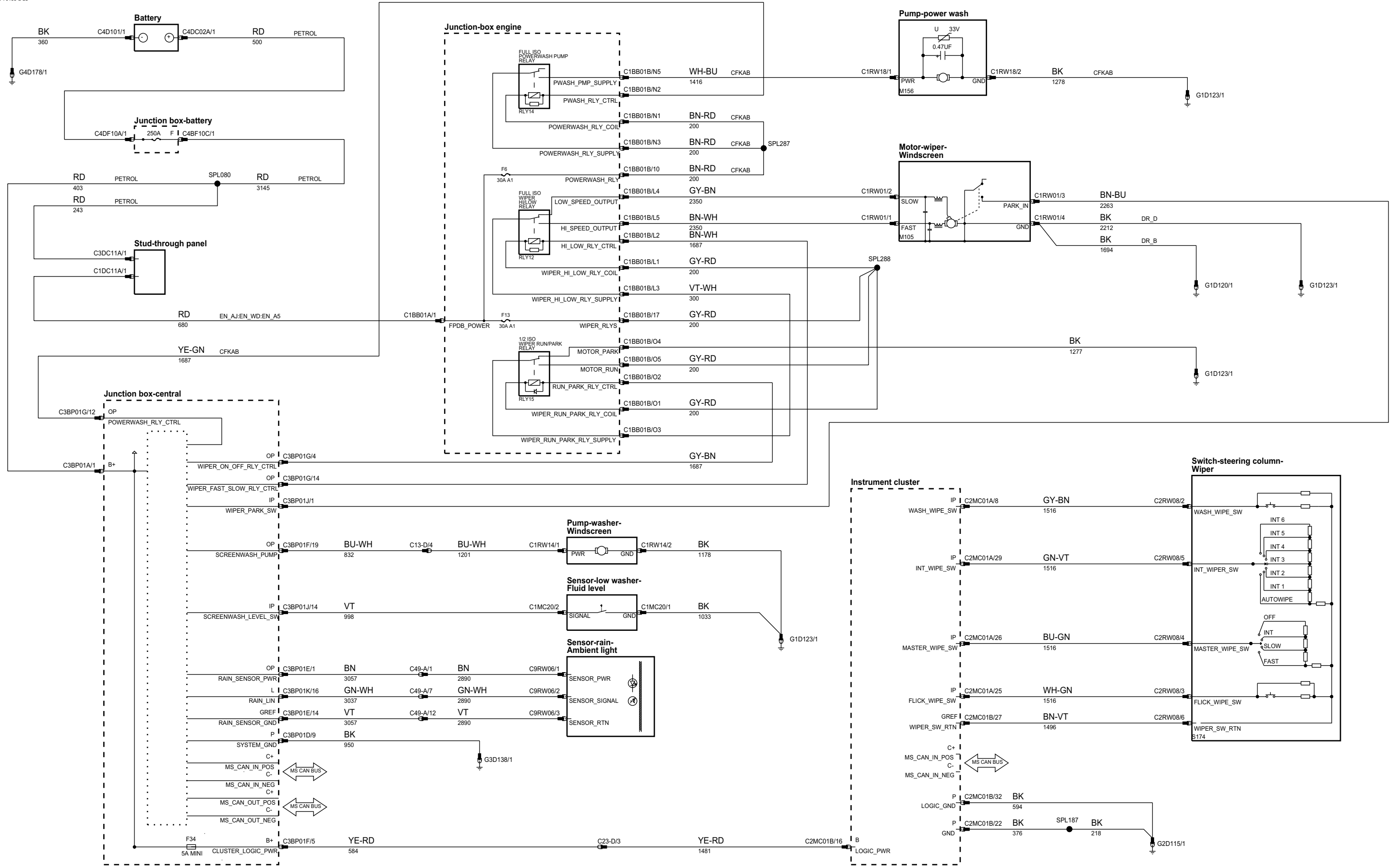
phar83-70421-d-ae



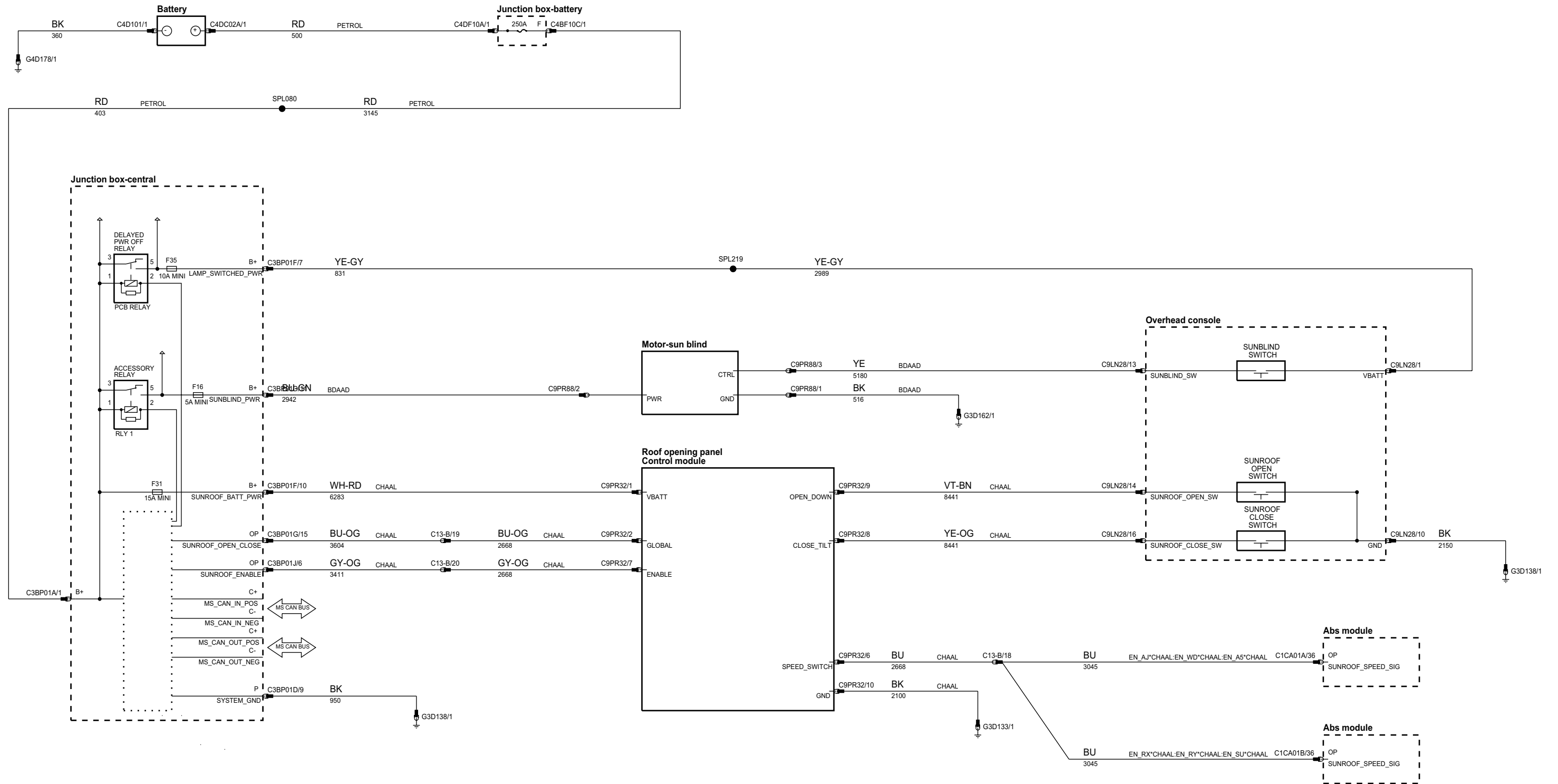
phar83-70421-b-ae



phar83-70133-a-ae

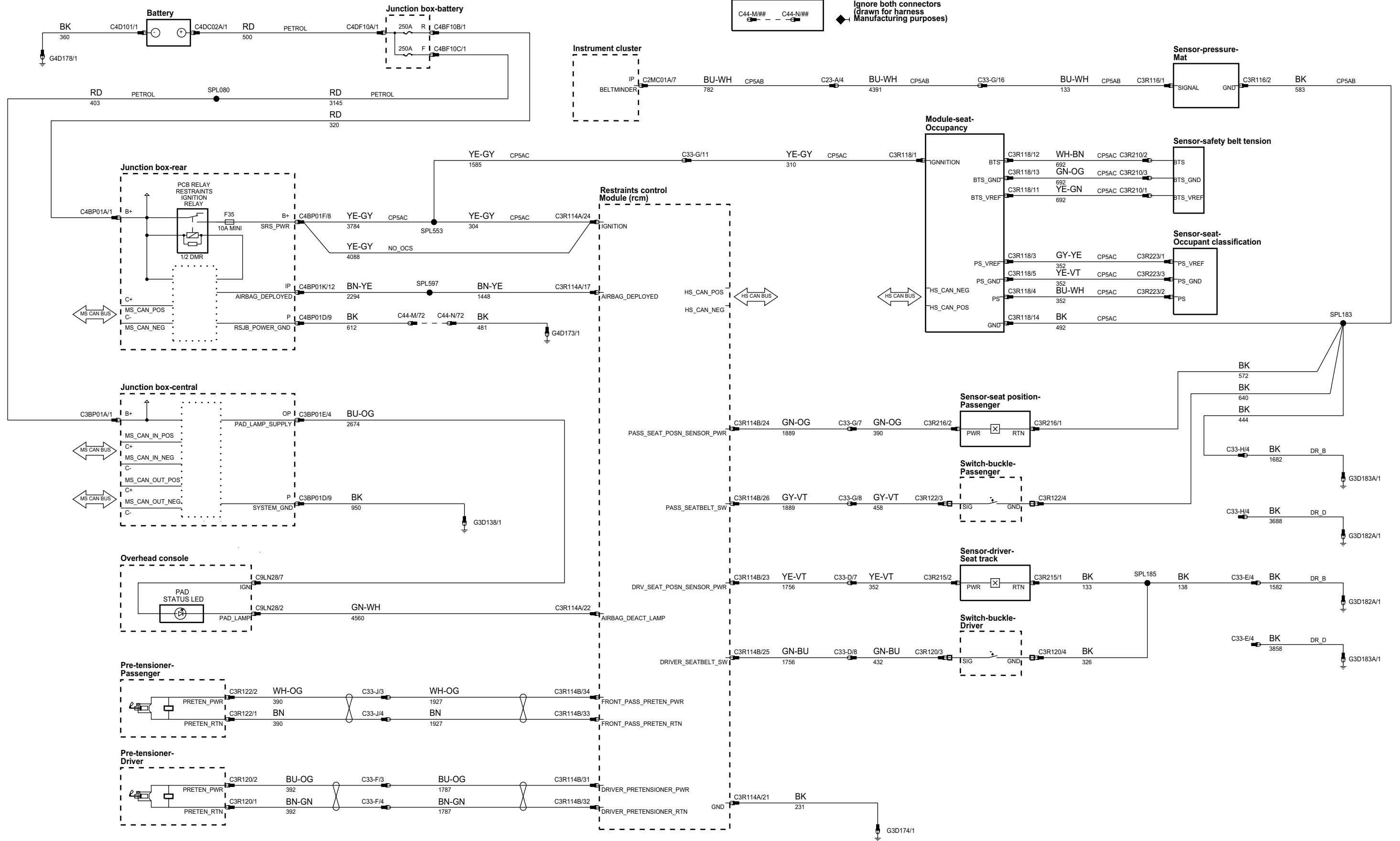


phar83-70317-a-ae

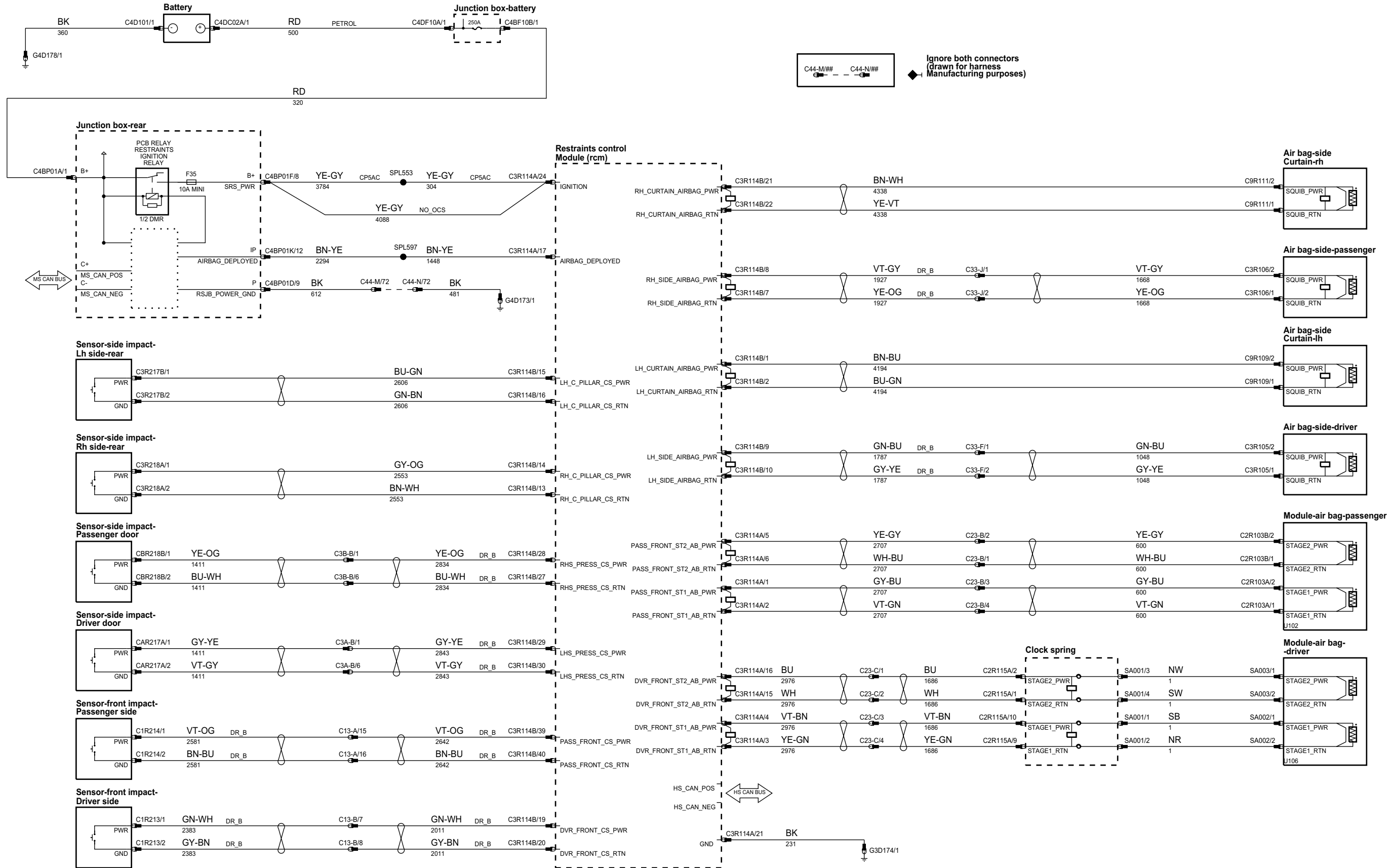


501-20A - SAFETY BELT SYSTEM

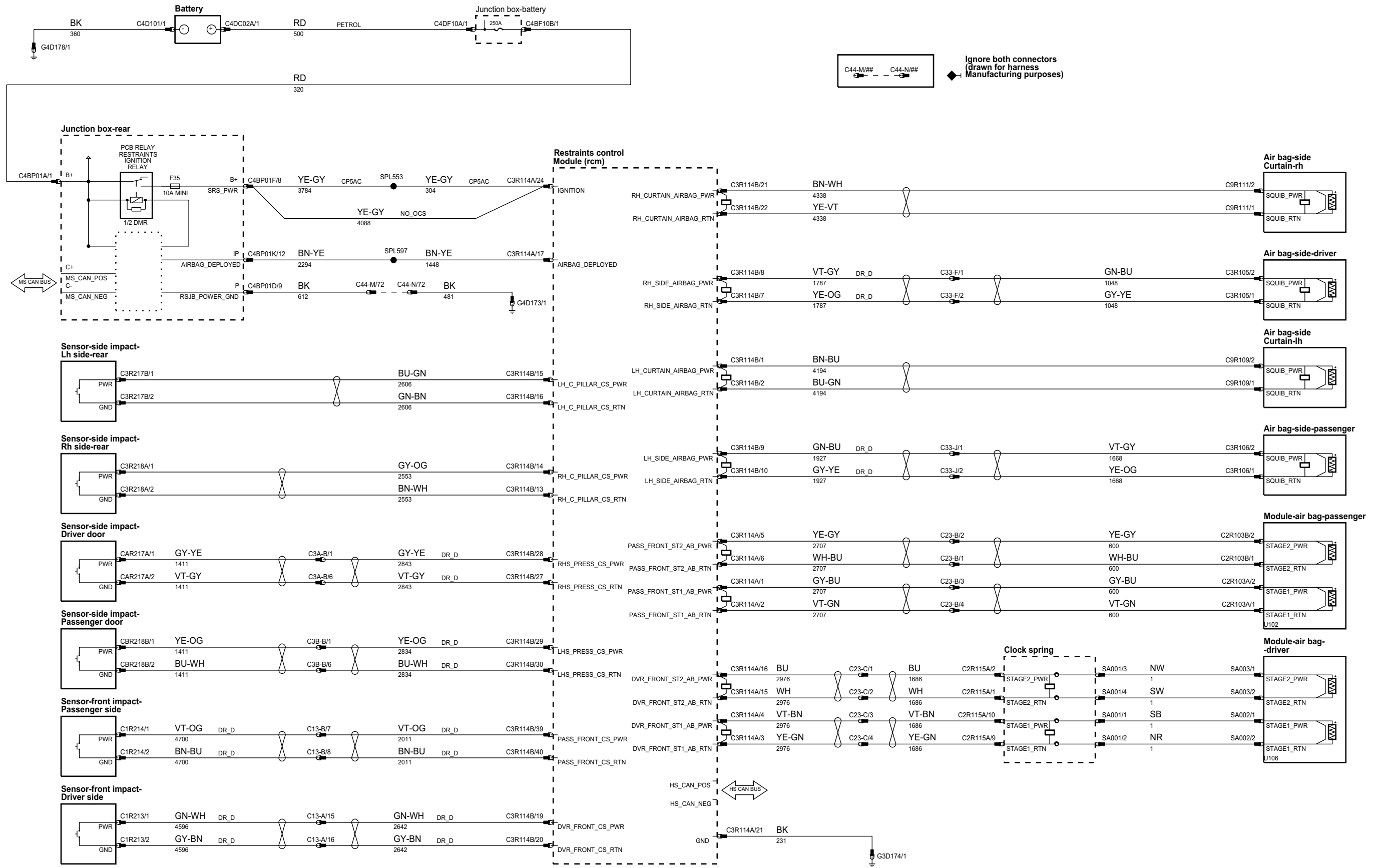
phar83-70150-c-ae



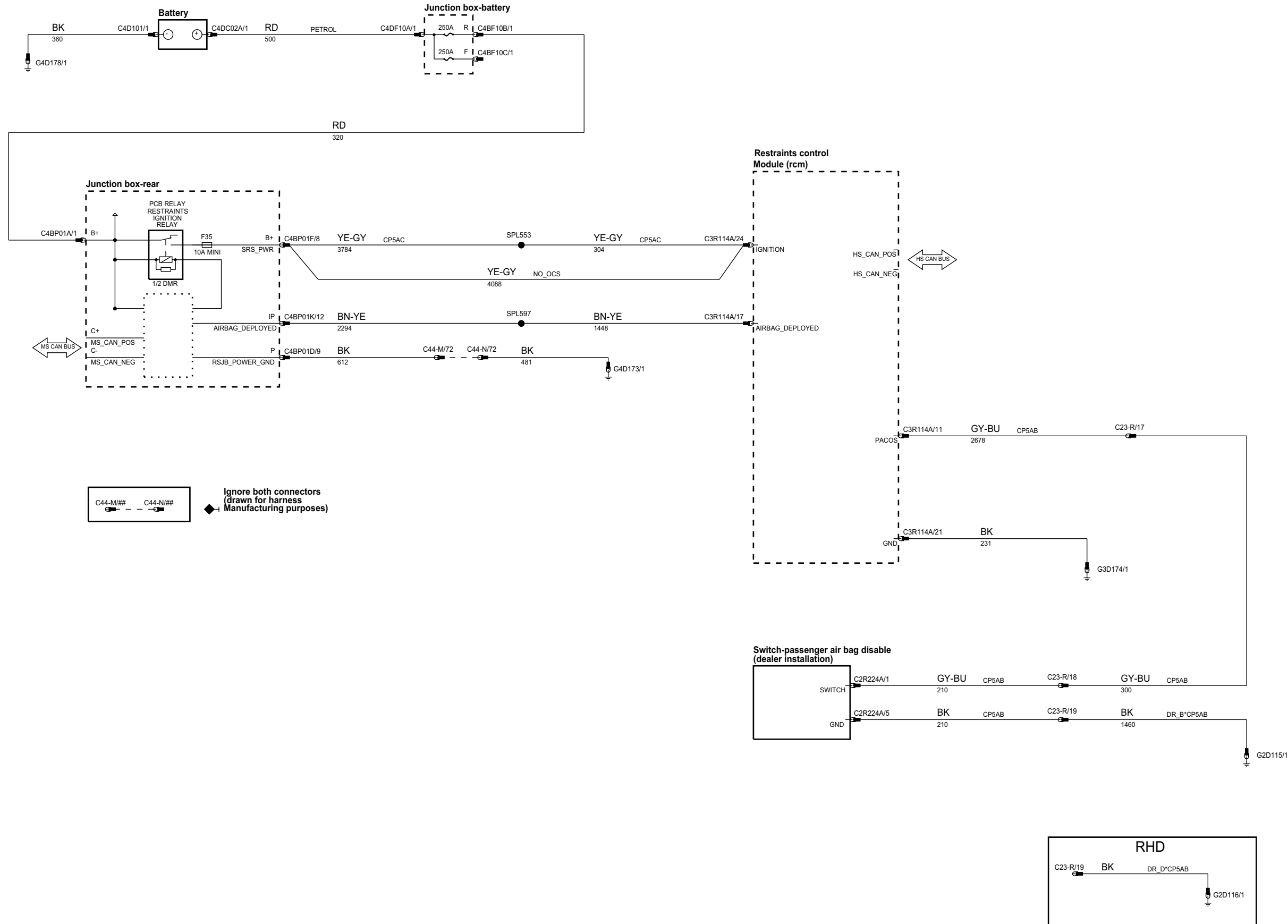
phar83-70150-a-ae



phar83-70150-d-ae



phar83-70151-a-ae



501-20C - PEDESTRIAN PROTECTION SYSTEM

phar83-70150-b-ae

