

**S-TYPE**

DATE 12/03

S501-21

SERVICE**TECHNICAL BULLETIN**

**Sliding Roof One-Touch Issues –
Resynchronize Roof Panel & Reprofile Spring
– Repair Procedure**

MODEL 2003-04 MY
S-TYPE

VIN M44998-M99265

This bulletin supersedes S501-16, amended 07/02.

Issue:

On some 2003-04 MY S-TYPE vehicles within the above VIN range, there is a possibility that the roof opening panel may not close on one-touch operation and may 'bounce back'. This condition may be caused by excessive strength of the wind deflector spring .

To address this concern the roof opening panel motor will have to have a de-synchronization and synchronization procedure carried out, and the wind deflector spring will have to be reprofiled.

Action:

In case of a verified customer complaint of the above condition, desynchronize, and then synchronize the sliding roof, then reprofile the spring of the wind deflector as described below.

WORKSHOP PROCEDURE

1. Carry out roof opening panel de-synchronization procedure (see Workshop Manual, JTIS CD ROM, section: 501-17, General Procedures).
2. Carry out roof opening panel synchronization procedure (see Workshop Manual, JTIS CD ROM, section: 501-17, General Procedures).
3. Operate the roof opening panel to the fully open position.

NOTE: The information in Technical Bulletins is intended for use by trained, professional technicians with the knowledge, tools, and equipment to do the job properly and safely. It informs these technicians of conditions that may occur on some vehicles, or provides information that could assist in proper vehicle service. The procedures should not be performed by "do-it-yourselfers." Do not assume that a condition described affects your car. Contact a Jaguar retailer to determine whether the Bulletin applies to your vehicle.

REPROFILING SPRING

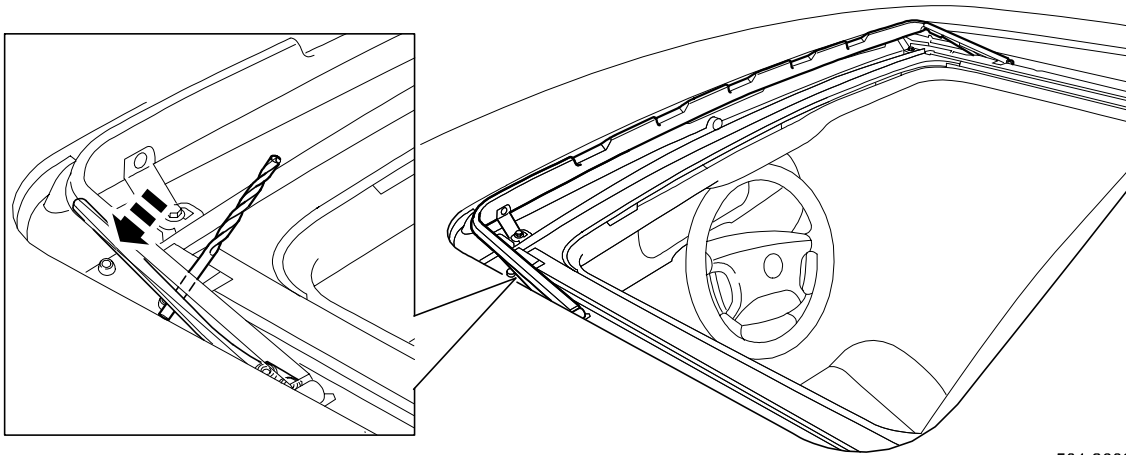


ILLUSTRATION 1

4. On the left side of the vehicle, position the shank of a 4.0 mm twist drill under the base of the spring by the rivet head. Push the deflector down over the drill until it bottoms out to reprofile the spring (Illustration 1).
5. Carry out step 4 for the right hand side of the roof opening panel.

Warranty Information:

Warranty claims should be submitted quoting the information found in the table below. This will result in payment of the stated time and, where applicable parts/miscellaneous expense codes as listed.

Description	SRO	Time	Causal Part Number
Carry out roof opening panel desynchronization and synchronization procedure, reprofile wind deflector spring.	76.94.36	0.2 hrs.	XR8 39121