

**S-TYPE**DATE 10/00
Amended 12/00

S501-R134

SERVICE**TECHNICAL BULLETIN****Recall R134 –
Front Seat Belt Buckle –
Replace With Proper Specification Buckle**MODEL 2000-01 MY
S-TYPE

VIN L73665-L85960

Remove and destroy Bulletin S501-R134, dated 10/00.
Replace with this Bulletin.
Revisions are marked with a bar and in **bold text**.

Issue:

As a result of ongoing quality assessments, Jaguar has identified a defect on a number of S-TYPE vehicles within the above VIN range of L73665-L85960.

On the vehicles involved, it is possible that the latching mechanism within the front safety belt buckle assembly may not have received sufficient heat treatment during the production process. As a result, the component may not be adequately hardened. Under extreme load, the part could deform and release the latch that holds the safety belt tongue.

There have been no instances of failure involving production vehicles. This issue will not affect the drivability of the vehicle and no other restraint systems on the vehicle are involved.

Jaguar has decided to recall affected vehicles to check and replace, where necessary, the front safety belt buckle assemblies on all S-TYPE vehicles produced in the above VIN range.

Vehicles from VIN L73665 to L78262 will require a check of the date code on the front safety belt buckle assemblies. If one or both of the front safety belt buckle assemblies are stamped with a date code that falls within the affected date code range then both front safety belt buckle assemblies should be replaced.

Vehicles from VIN L78263 to L85960 do not require the date code check, but **still need** both front safety belt buckle assemblies replaced.

A number of vehicles have been reworked at the factory before being shipped. The vehicles that have been reworked are listed beginning on page 5 in this bulletin and do not require any further action.

Jaguar is contacting all affected customers requesting them to contact their nearest Dealer as soon as possible to arrange for the front safety belt buckle assemblies to be checked and replaced if necessary.

Action:

PROCEDURE FOR VEHICLES VIN L73665 TO L78262

On vehicles equipped with a soft plastic cover protecting the front safety belt buckle assembly it is possible to check the date stamp (see table) without removing the seat. Follow the workshop procedure below for vehicles equipped with this type of front safety belt buckle assembly.

The six-digit date code is interpreted as follows:

Example: *ABCDEX*.

AB = Week Number (i.e. 01-52)

C = Day number (i.e. Monday = 1)

DE = Year (i.e. 00 = 2000)

X = Shift Number (i.e. 1,2,3)

Affected date codes:

13200X	13300X	13400X	13500X	13600X
13700X	14200X	15300X	15700X	16200X
17100X	17200X	17300X	17400X	17500X

CHECK CODE PROCEDURE

1. Open both front doors.
2. Push back the soft plastic cover on the front safety belt buckle for access to the buckle code. (See Illustration 1).

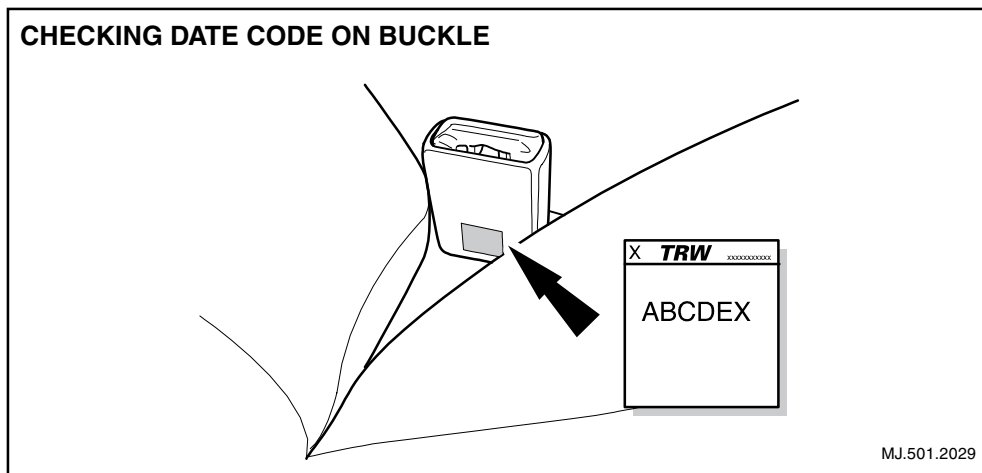


ILLUSTRATION 1

3. Check and record the buckle code against the affected codes provided in the table. Ensure the code is safe.

4. Reposition the front safety belt buckle soft plastic cover to its original condition.
 5. Repeat the procedure for the opposite side safety belt.
- If one buckle code is not safe, both front safety belt buckle assemblies must be replaced. Refer to the next procedure.

PROCEDURE TO REPLACE FRONT SAFETY BELT BUCKLE ASSEMBLY - ALL AFFECTED VEHICLES

1. At the driver side of the vehicle, position the front seat fully rearward and the front of the cushion fully upward.
2. Reposition the floor carpet flaps for access to the front bolts that secure the front seat to the body.
3. Loosen and remove the front bolts that secure the front seat to the body.
4. Reposition the front seat fully forward.
5. Displace and remove the front seat slide rear inner and outer plastic covers.
6. Loosen and remove the rear bolts that secure front seat to the body.
7. Place a clean protective covering over the rear door opening tread plate area to protect the front seat.
8. Carefully reposition the front seat for access to the seat harness connector.

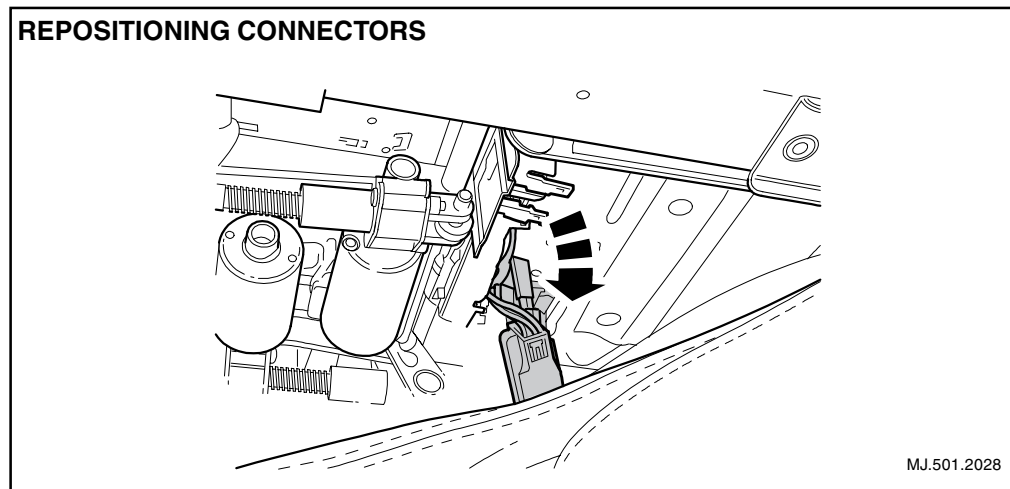


ILLUSTRATION 2

9. Remove the seat harness connectors from their seat frame mounting tangs (Illustration 2). Do not unplug the connector.

Note: To eliminate the need to disconnect the battery, ensure the connectors remain connected.

The previous operation is required to allow harness more free play when maneuvering the front seat (Illustration 2)

10. Pull the front safety belt against spring tension to gain more slack to assist front seat maneuverability.

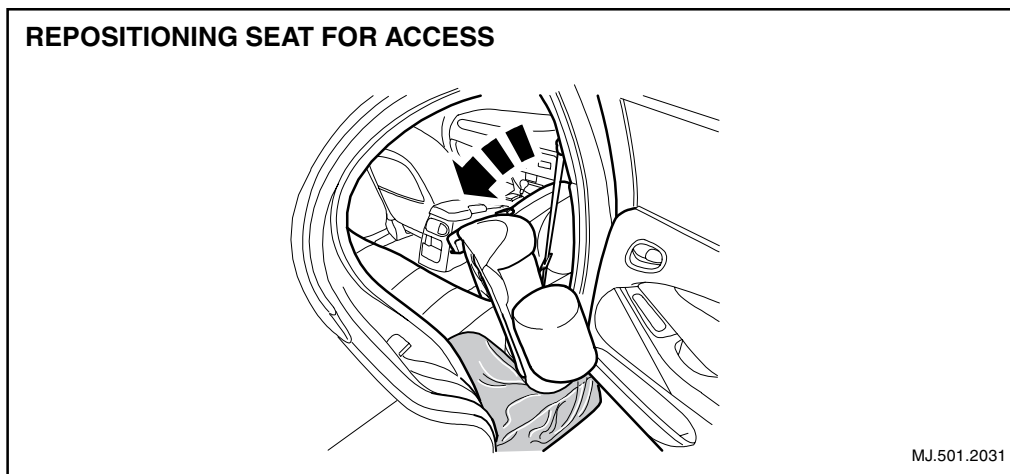


ILLUSTRATION 3

11. Carefully reposition front seat on its side for access to the safety belt buckle. During this operation, the seat back protrudes through the rear door opening. (Illustration 3).

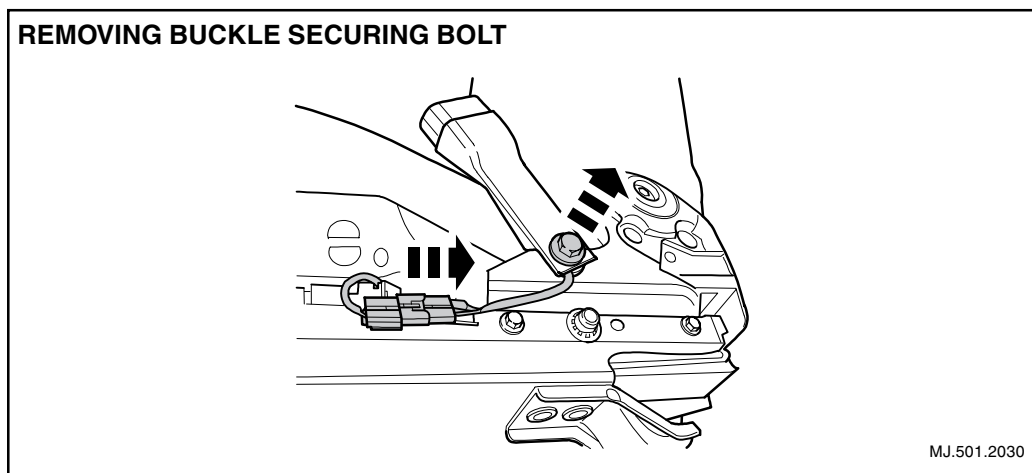


ILLUSTRATION 4

12. Disconnect the front safety belt buckle assembly connector. Loosen and remove the bolt securing the front safety belt buckle. Remove the safety belt buckle assembly and place to one side. (Illustration 4).
13. Install the new safety belt buckle on the front seat – ensure that the buckle lug locates correctly in the seat frame hole.
14. Tighten the new securing bolt for the front safety belt buckle to 40 Nm (29 lb. ft.)
15. Connect the front safety belt buckle connector.
16. Reposition the front seat upright.
17. Engage and seat the front seat harness connectors on their seat frame mounting tangs.
18. Reposition and align the front seat with the body.
19. Remove the protective covering from the rear door opening tread plate area.
20. Install, but do not fully tighten, the rear bolts that secure front seat to the body.

21. Reposition front seat fully rearwards.
22. Tighten the front bolts that secures the front seat to the body to 40 Nm (29 lb. ft.).
23. Reposition the floor carpet flaps in their original location.
24. Reposition the front seat fully forward.
25. Tighten the rear bolts that secure the front seat to the body to 47 Nm (34 lb. ft.)
26. Install the rear inner and outer plastic covers on the front seat slide.
27. Return the front seat to its original position.
28. Repeat procedure for the passenger side front safety belt buckle assembly.

For vehicles from VIN L78263 to L85960, follow the procedure to replace the front safety belt buckle assembly.

Repeat procedure for the opposite side front safety belt buckle assembly.

VEHICLES **NOT** AFFECTED BY THIS RECALL

The following Vehicles were reworked at the factory before being shipped and therefore do **not** require the Recall Action.

Note: No Mexican specification vehicles were reworked at the factory.

CANADIAN VEHICLES		Model	
Model		Code	VIN
Code	VIN		
6100	L85032	6100	L85608
6100	L85177	6100	L85612
6100	L85239	6100	L85624
6100	L85317	6100	L85637
6100	L85397	6100	L85645
6100	L85405	6100	L85649
6100	L85413	6100	L85654
6100	L85417	6100	L85659
6100	L85442	6100	L85663
6100	L85457	6100	L85692
6100	L85462	6100	L85710
6100	L85466	6100	L85715
6100	L85490	6100	L85720
6100	L85495	6100	L85725
6100	L85499	6100	L85735
6100	L85510	6100	L85739
6100	L85542	6100	L85744
6100	L85552	6100	L85759
6100	L85579	6100	L85765
6100	L85587	6100	L85775
6100	L85600	6100	L85779
		6100	L85783

Model Code	VIN
6100	L85787
6100	L85792
6100	L85796
6100	L85800
6100	L85805
6100	L85817
6100	L85823
6100	L85836
6100	L85852
6100	L85862
6100	L85867
6100	L85872
6100	L85876
6100	L85885
6100	L85895
6100	L85910
6100	L85915
6100	L85921
6100	L85937
6100	L85950
6300	L85296
6300	L85371
6300	L85389
6300	L85425
6300	L85429
6300	L85438
6300	L85478
6300	L85487
6300	L85505
6300	L85514
6300	L85518
6300	L85523
6300	L85527
6300	L85531
6300	L85558
6300	L85567
6300	L85571
6300	L85592
6300	L85596
6300	L85604
6300	L85616
6300	L85620
6300	L85629

Model Code	VIN
6300	L85641
6300	L85669
6300	L85674
6300	L85678
6300	L85683
6300	L85687
6300	L85696
6300	L85731
6300	L85749
6300	L85754
6300	L85771
6300	L85829
6300	L85843
6300	L85847
6300	L85856
6300	L85881
6300	L85891
6300	L85900
6300	L85905
6300	L85927
6300	L85931
6300	L85954

USA VEHICLES

Model Code	VIN
6100	L75917
6100	L81290
6100	L84380
6100	L84642
6100	L84797
6100	L84897
6100	L85026
6100	L85027
6100	L85116
6100	L85125
6100	L85187
6100	L85217
6100	L85302
6100	L85307
6100	L85392
6100	L85395
6100	L85399



**Model
Code****VIN**

6100 L85415
6100 L85424
6100 L85441
6100 L85455
6100 L85459
6100 L85463
6100 L85472
6100 L85473
6100 L85476
6100 L85486
6100 L85493
6100 L85503
6100 L85504
6100 L85513
6100 L85515
6100 L85517
6100 L85520
6100 L85528
6100 L85537
6100 L85559
6100 L85560
6100 L85566
6100 L85568
6100 L85572
6100 L85574
6100 L85595
6100 L85597
6100 L85599
6100 L85603
6100 L85615
6100 L85623
6100 L85630
6100 L85632
6100 L85635
6100 L85640
6100 L85655
6100 L85662
6100 L85664
6100 L85670
6100 L85694
6100 L85699
6100 L85703
6100 L85726

**Model
Code****VIN**

6100 L85728
6100 L85743
6100 L85747
6100 L85750
6100 L85753
6100 L85756
6100 L85757
6100 L85774
6100 L85777
6100 L85782
6100 L85812
6100 L85830
6100 L85840
6100 L85859
6100 L85873
6100 L85875
6100 L85886
6100 L85894
6100 L85897
6100 L85934
6100 L85956
6100 L85957
6300 L81289
6300 L81292
6300 L85029
6300 L85074
6300 L85154
6300 L85287
6300 L85358
6300 L85376
6300 L85394
6300 L85398
6300 L85411
6300 L85416
6300 L85420
6300 L85443
6300 L85447
6300 L85451
6300 L85456
6300 L85460
6300 L85465
6300 L85491
6300 L85500

Model Code	VIN
6300	L85509
6300	L85540
6300	L85545
6300	L85554
6300	L85563
6300	L85580
6300	L85585
6300	L85601
6300	L85607
6300	L85611
6300	L85625
6300	L85634
6300	L85638
6300	L85644
6300	L85647
6300	L85651
6300	L85656
6300	L85660
6300	L85665
6300	L85691
6300	L85700
6300	L85705

Model Code	VIN
6300	L85714
6300	L85718
6300	L85723
6300	L85727
6300	L85740
6300	L85745
6300	L85758
6300	L85763
6300	L85767
6300	L85780
6300	L85794
6300	L85798
6300	L85803
6300	L85807
6300	L85811
6300	L85820
6300	L85825
6300	L85834
6300	L85838
6300	L85851
6300	L85865
6300	L85896
6300	L85958

Parts Information:

<u>DESCRIPTION</u>	<u>PART NUMBER</u>	<u>QTY</u>
Driver seat belt buckle - Sable	XR8 23164AEK	1
Passenger seat belt buckle - Sable	XR8 23162AEK	1
Driver seat belt buckle - Warm Charcoal	XR8 23164LEG	1
Passenger seat belt buckle - Warm Charcoal	XR8 23162LEG	1

Note: A partial allotment of replacement seat belt buckles will be shipped directly to you based on the color/trim specification of the vehicles allocated to your dealership within the specified VIN range. After you receive this initial shipment, you may order additional quantities required through normal channels.

Warranty Information:

Recall R 134

2000-01 MY S-TYPE
VIN L73665-L78262

<u>OPERATION</u>	<u>R.O. NUMBER</u>	<u>TIME ALLOWANCE</u>	<u>SUMMARY CODE</u>
Check buckle date code - No Action Required	76.93.84	0.10 hrs.	UA

<u>OPERATION</u>	<u>R.O. NUMBER</u>	<u>TIME ALLOWANCE</u>	<u>SUMMARY CODE</u>
Check buckle date code - No Action Required	76.93.84	0.10 hrs.	UK
Drive in/Drive out	10.10.10	0.15 hrs.	

<u>OPERATION</u>	<u>R.O. NUMBER</u>	<u>TIME ALLOWANCE</u>	<u>SUMMARY CODE</u>
Check buckle date code - Replace both front seat buckles	76.93.85	0.65 hrs.	UB

<u>Part Numbers</u>	<u>Description</u>	<u>Qty</u>
XR8 23164/AEK	Driver side buckle - sable	1
XR8 23162/AEK	Pass. side seat buckle - sable	1

<u>OPERATION</u>	<u>R.O. NUMBER</u>	<u>TIME ALLOWANCE</u>	<u>SUMMARY CODE</u>
Check buckle date code - Replace both front seat buckles	76.93.85	0.65 hrs.	UC
Drive in/Drive out	10.10.10	0.15 hrs.	

<u>Part Numbers</u>	<u>Description</u>	<u>Qty</u>
XR8 23164/AEK	Driver side buckle - sable	1
XR8 23162/AEK	Pass. side buckle - sable	1

<u>OPERATION</u>	<u>R.O. NUMBER</u>	<u>TIME ALLOWANCE</u>	<u>SUMMARY CODE</u>
Check buckle date code - Replace both front seat buckles	76.93.85	0.65 hrs.	UD
<u>Part Numbers</u>	<u>Description</u>	<u>Qty</u>	
XR8 23164/LEG	Driver side buckle - warm charcoal	1	
XR8 23162/LEG	Pass. side buckle - warm charcoal	1	

<u>OPERATION</u>	<u>R.O. NUMBER</u>	<u>TIME ALLOWANCE</u>	<u>SUMMARY CODE</u>
Check buckle date code - Replace both front seat buckles	76.93.85	0.65 hrs.	UE
Drive in/Drive out	10.10.10	0.15 hrs.	
<u>Part Numbers</u>	<u>Description</u>	<u>Qty</u>	
XR8 23164/LEG	Driver side seat buckle - warm charcoal	1	
XR8 23162/LEG	Pass. side seat buckle - warm charcoal	1	

2000-01 MY S-TYPE
VIN L78263-L85960

<u>OPERATION</u>	<u>R.O. NUMBER</u>	<u>TIME ALLOWANCE</u>	<u>SUMMARY CODE</u>
Replace both front seat buckles	76.93.86	0.65 hrs.	UF
<u>Part Numbers</u>	<u>Description</u>	<u>Qty</u>	
XR8 23164/AEK	Driver side buckle - sable	1	
XR8 23162/AEK	Pass. side buckle - sable	1	

<u>OPERATION</u>	<u>R.O. NUMBER</u>	<u>TIME ALLOWANCE</u>	<u>SUMMARY CODE</u>
Replace both front seat buckles	76.93.86	0.65 hrs.	UG
Drive in/Drive out	10.10.10	0.15 hrs.	
<u>Part Numbers</u>	<u>Description</u>	<u>Qty</u>	
XR8 23164/AEK	Driver side seat buckle - sable	1	
XR8 23162/AEK	Pass. side seat buckle - sable	1	

<u>OPERATION</u>	<u>R.O. NUMBER</u>	<u>TIME ALLOWANCE</u>	<u>SUMMARY CODE</u>
Replace both front seat buckles	76.93.86	0.65 hrs.	UH
<u>Part Numbers</u>	<u>Description</u>	<u>Qty</u>	
XR8 23164/LEG	Driver side buckle - warm charcoal	1	
XR8 23162/LEG	Pass. side buckle - warm charcoal	1	

<u>OPERATION</u>	<u>R.O. NUMBER</u>	<u>TIME ALLOWANCE</u>	<u>SUMMARY CODE</u>
Replace both front seat buckles	76.93.86	0.65 hrs.	UJ
Drive in/Drive out	10.10.10	0.15 hrs.	
<u>Part Numbers</u>	<u>Description</u>	<u>Qty</u>	
XR8 23164/LEG	Driver side seat buckle - warm charcoal	1	
XR8 23162/LEG	Pass. side seat buckle - warm charcoal	1	

NOTE: Always perform a DCS claim search first to determine whether this service action has been performed on this vehicle. The warranty selection under the vehicle inquiry will give a listing of all claims against the vehicle. If R134 appears in the fault code field, do not perform this recall.

CLAIM SUBMISSION PROCEDURE:

Warranty summary codes have been assigned to this service action in order to simplify claim submission. The dealership will be reimbursed the parts and labor time allowance as indicated.

DCS DEALERS

Submit claims using the appropriate summary code for the vehicle model and work performed. Follow standard campaign submission procedures.

NON-DCS DEALERS

Submit claims on the Recall Campaign Summary form W-25. Enter the appropriate summary code for the vehicle model and work performed in the Repair Code column. Do not use the W-1 warranty claim form.

October 9, 2000

Dear Jaguar Owner:

This notice is sent to you in accordance with the requirements of the National Traffic and Motor Vehicle Safety Act.

As a result of ongoing quality assessments, Jaguar Cars has identified a defect on a small number of S-TYPE vehicles involving the Front Safety Belt Buckle Assembly.

Jaguar has voluntarily decided to recall affected vehicles to inspect and replace, if required, both front safety belt buckle assemblies on S-TYPE vehicles produced between May 4th and July 19th, 2000, including your vehicle.

On the vehicles involved, it is possible that the latching mechanism within the front safety belt buckle assemblies may not have received sufficient heat treatment during the production process. As a result, the component may not be adequately hardened. Under loads in excess of the Federal Motor Vehicle Safety Standard 209 – Seat Belt Assemblies, the part could deform and release the latch that holds the safety belt tongue.

For your personal safety and that of your passengers, we would ask that you arrange for the belt buckle inspection as soon as possible. Labor time to inspect or replace the front seat buckles is approximately 1 hour; however, to accommodate service scheduling, your dealer may require your car for the day. All replacement Front Safety Belt Buckle Assemblies will be replaced Free of Charge by Jaguar Franchised Dealers.

Should your dealer be unable or unwilling to repair your Jaguar within 60 days or a reasonable time, we would ask you to contact the Jaguar Customer Assistance Center at 1 800 4 JAGUAR. In the event you are still not satisfied, you may submit a complaint to the Administrator, National Highway Traffic Safety Administration, 400 Seventh Street S.W., Washington, D.C. 20590, or call the toll free Auto Safety Hotline at 1-800-424-9393; Washington D.C. area residents may call (202) 366-0123.

Sincerely yours,



Gary L. Temple
Vice President Customer Care

GLT/tml