

Creak From Rear Stabilizer Bar –
Stabilizer Bar Bushing Movement –
Repair Procedure

MODEL 2002 MY-ON
X-TYPE

VIN C00001-ON

Issue:

Some X-TYPE vehicles may exhibit a creak from the rear stabilizer bar. Installing new stabilizer bar brackets and bushings secured with Loctite 454 adhesive can solve this concern.

Action:

In case of a customer express concern of the above condition, install new stabilizer bar brackets and secure the bushings with Loctite 454 adhesive as outlined below.

WORKSHOP PROCEDURE

1. Raise vehicle on lift.
2. Remove stabilizer bar bracket mounting bolts (Illustration 1).

Note: Ensure stabilizer bar is supported.

STABILIZER MOUNTING BOLTS

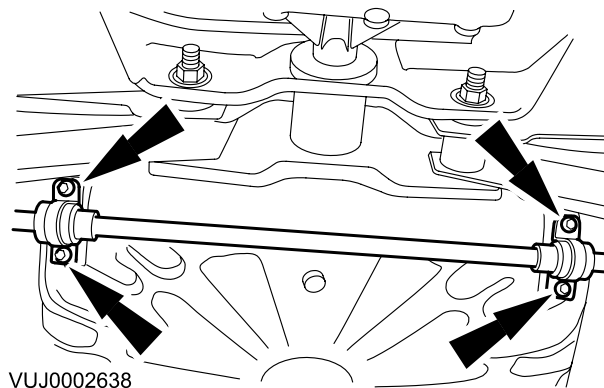


ILLUSTRATION 1

NOTE: THE INFORMATION IN TECHNICAL BULLETINS IS INTENDED FOR USE BY TRAINED, PROFESSIONAL TECHNICIANS WITH THE KNOWLEDGE, TOOLS, AND EQUIPMENT TO DO THE JOB PROPERLY AND SAFELY. IT INFORMS THESE TECHNICIANS OF CONDITIONS THAT MAY OCCUR ON SOME VEHICLES, OR PROVIDES INFORMATION THAT COULD ASSIST IN PROPER VEHICLE SERVICE. THE PROCEDURES SHOULD NOT BE PERFORMED BY "DO-IT-YOURSELFERS." DO NOT ASSUME THAT A CONDITION DESCRIBED AFFECTS YOUR CAR. CONTACT A JAGUAR RETAILER TO DETERMINE WHETHER THE BULLETIN APPLIES TO YOUR VEHICLE.

3. Remove stabilizer bar brackets.
4. Remove stabilizer bar bushings.
5. Apply five beads of Loctite 454 to each new stabilizer bar bracket (Illustration 2).

Note: Ensure surfaces to be bonded are clean.

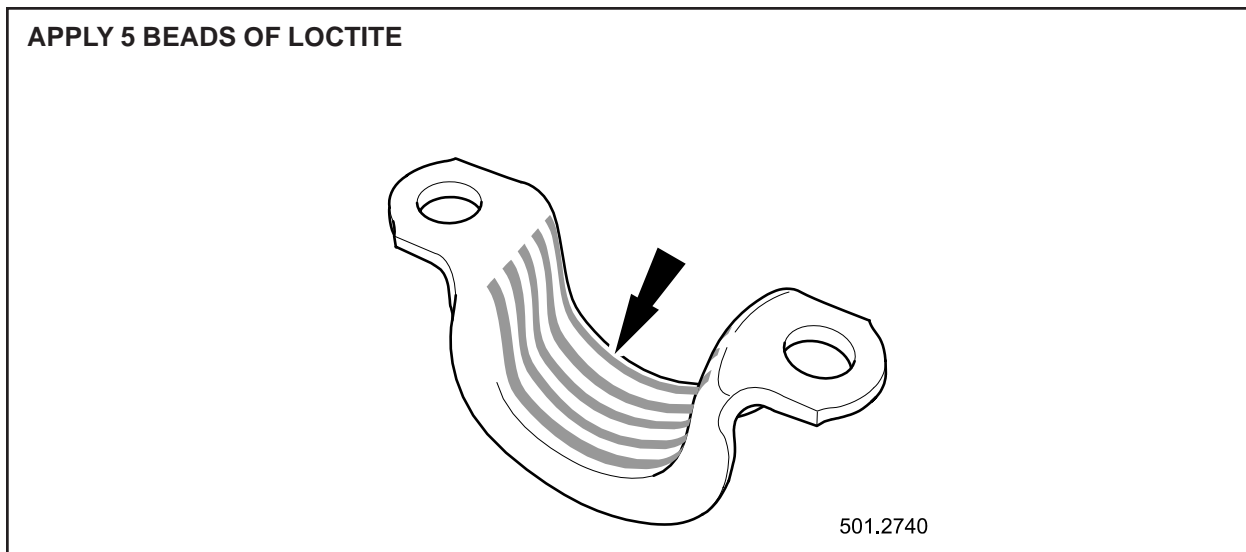


ILLUSTRATION 2

6. Align new stabilizer bar bushings to stabilizer bar.
7. Install the new stabilizer bar brackets (with Loctite 454 applied).
8. Immediately install and tighten the stabilizer bar bracket mounting bolts to 25 Nm.
9. Lower vehicle.

Note: Allow Loctite 454 to cure for ten minutes before driving the vehicle.

Global Technical Reference (GTR) Workshop Manual Information:

Dealer access: <https://hub.franchise.jaguar.com>

Internet access: <http://www.jaguartechno.com>

Parts Information:

<u>DESCRIPTION</u>	<u>PART NUMBER</u>	<u>QTY</u>
Stabilizer bar bushings - All	C2S 10234	2
Stabilizer bar brackets - Up to VIN C00937	C2S 13068	2
Stabilizer bar brackets - From VIN C00938	C2S 18106	2

Warranty Information:

Warranty claims should be submitted quoting the information found in the table below. This will result in payment of the stated time and, where applicable parts/miscellaneous expense codes as listed.

Description	SRO	Time	Causal Part Number
Install new rear stabilizer bar bushings and brackets - service fix.	64.91.16	0.2 hrs.	C2S 10234