

**Valve Seat Cutter Pilot –
Special Tool 303-139-05****MODEL**1997 MY-ON XK8 Range
1998 MY-ON V8 XJ Series**VIN**001001-ON
812256-ON**Issue:**

A new valve seat cutter pilot mandrel, 303-139-05, was introduced for AJV8 engines to fit the intake valve guide bore (5mm).

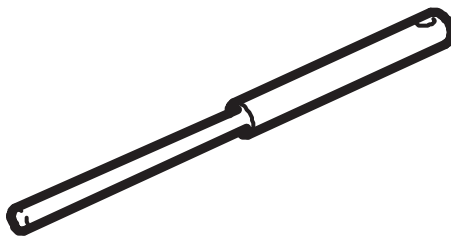
SPECIAL TOOL 303-139-05

ILLUSTRATION 1

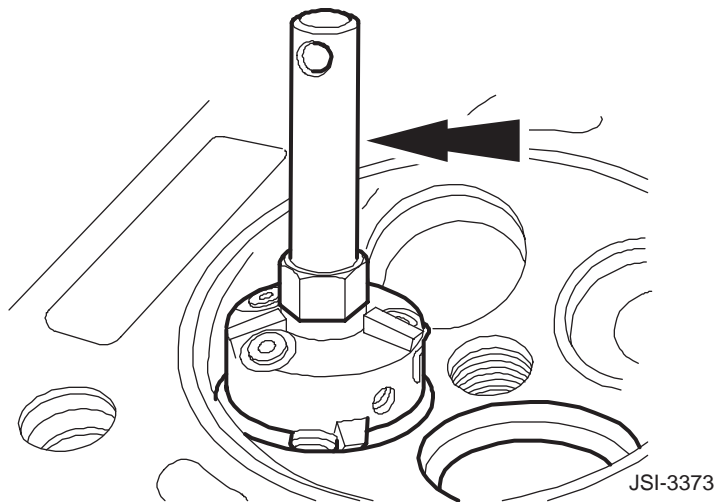
MANDREL IN POSITION

ILLUSTRATION 2