



Sedan Range

DATE 2/96

13-26

**SERVICE**

## **TECHNICAL BULLETIN**

Missing Rear Seat Heaters –  
Installation Instructions –  
Service Action S661

MODEL 1995-96 MY  
Sedan (LWB) Range  
VIN  
720001 - 763500

### **ISSUE:**

Certain long wheelbase vehicles (as listed on the VIN list starting on page 10) were built without the rear seat heaters which were supposed to be included in the vehicle specification.

### **ACTION:**

Install the rear seat heater pads, switches and link lead harness on the affected vehicles listed in the VIN charts, beginning on page 10. The installation should be done, when possible, before retail sale of the vehicle. In the case of vehicles already in service, the installation should be done at the first service.

### INSTALLING REAR SEAT HEATERS

1. Disconnect the vehicle battery.
2. Remove the rear seat cushion and squab.
3. Place the rear seat cushion on a clean work surface and remove the leather seat cover.

4. Refer to Illustration 1 to identify the seat heater pads for the cushions:
  - a) The cushion heater pads have two connectors from the electrical fly leads and have an oblong cutout in the pad itself. The left pad may be marked 402105, the right pad 402446.
  - b) The squab heater pads have one connector. The left pad may be marked 402447, the right pad 402104.

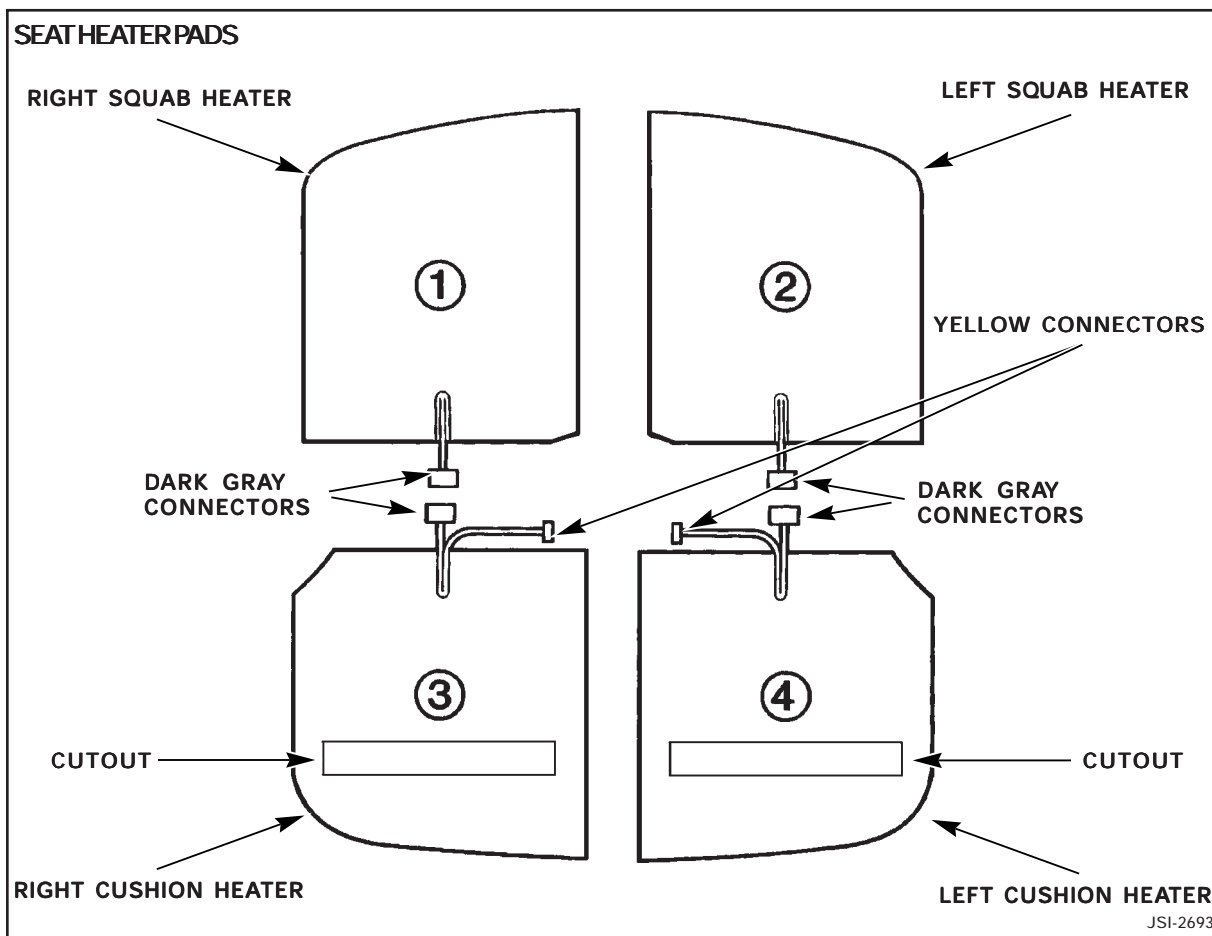


ILLUSTRATION 1

5. Peel off the backing paper and align the pad on the seat foam. Press down lightly to adhere the pad to the foam.
6. Route the heater pad electrical fly-leads through the seat foam and secure the harnesses to the cushion frame.

**NOTE:** Some early VIN vehicles may not have a hole in the seat foam or a seat frame bracket for the connector. Make a hole in the foam for the fly leads and secure the connector to the seat frame with a tie strap as necessary.

7. Reinstall the leather cover over the seat cushion and secure it with new hog rings.
8. Repeat steps 4 through 7 for the seat squab.
9. Store the seat cushion and squab in a clean and safe area while working inside the vehicle.
10. Remove the Jaguar emblem and then the retaining screw of the cover plate on the center console rear extension (Illustration 2). Remove the cover plate.
11. Carefully pry up the front of the veneer panel on the rear extension of the center console. The veneer panel is secured by two threaded studs located toward the rear which engage into nylon bushes held in the console rear extension (Illustration 2). The forward edge of the veneer plate is retained underneath the leather trimmed cover plate.

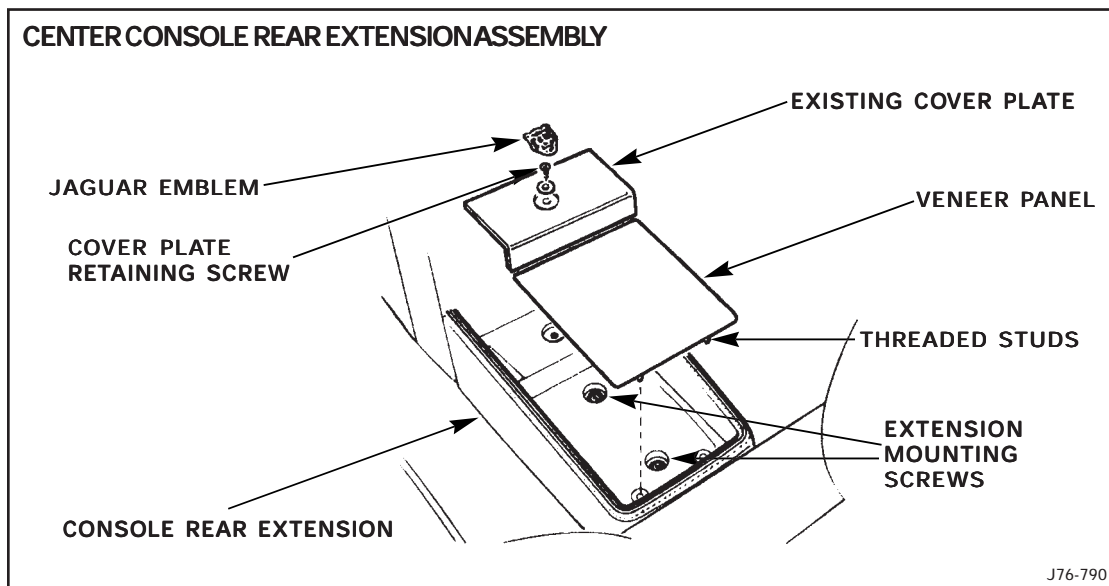


ILLUSTRATION 2

12. Remove the center console rear extension assembly from the vehicle.
13. Install the leather trimmed switch plate (Illustration 3). The retaining screw now installs from underneath.
14. Check the switch markings for right and left hand heaters and install them in the correct openings (Illustration 3). Press the switches fully into the switch plate.
15. Set the rear console extension assembly aside.
16. Remove the two rear heel board fuse box covers.

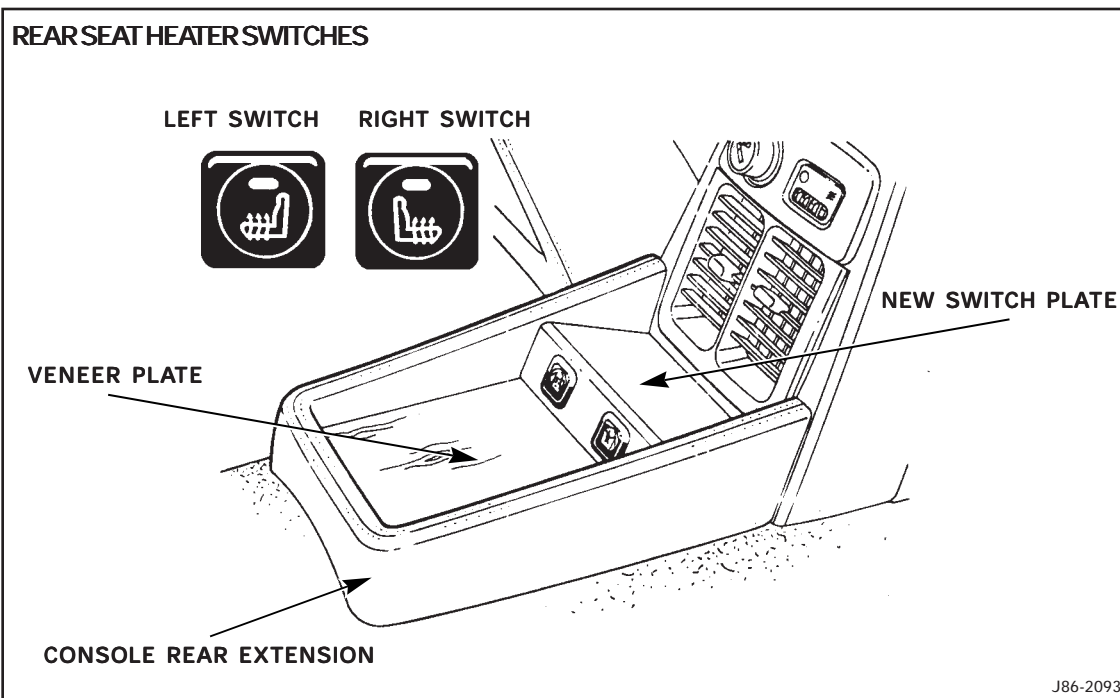


ILLUSTRATION 3

17. From the rear seat pan area, lift up the carpet and thread the switch connectors of the link harness through the carpet.
18. Position the new rear seat heater link harness in the rear seat pan areas. Connect the new harness to the cabin harness and secure it using tie straps (Arrows, Illustration 4). Position the carpet back onto the floor.

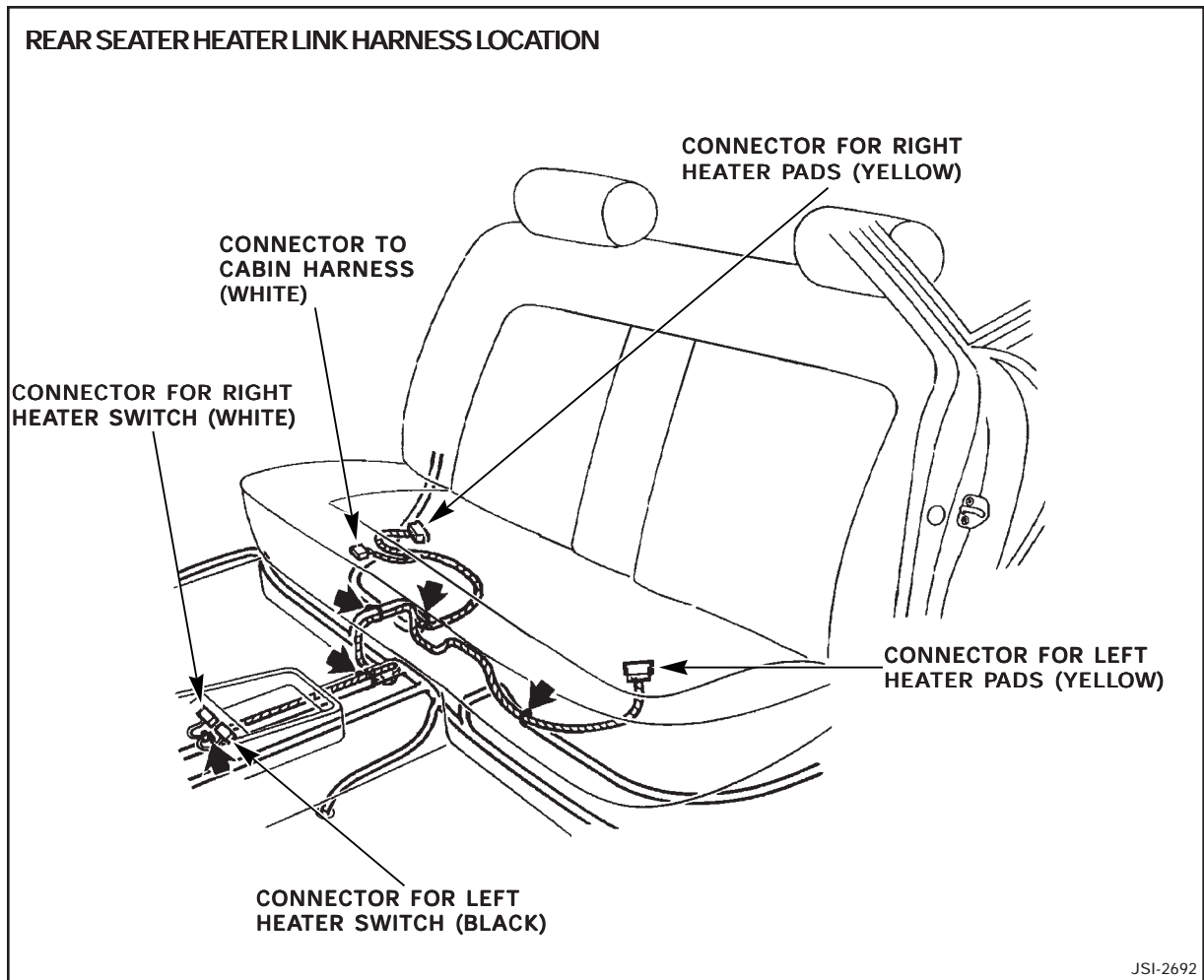
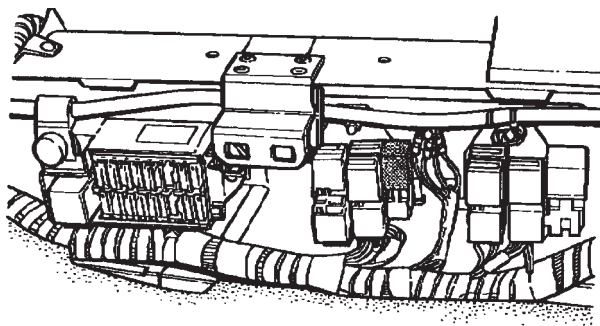


ILLUSTRATION 4

**HEEL BOARD LOCATIONS FOR SEAT HEATER TIMERS**

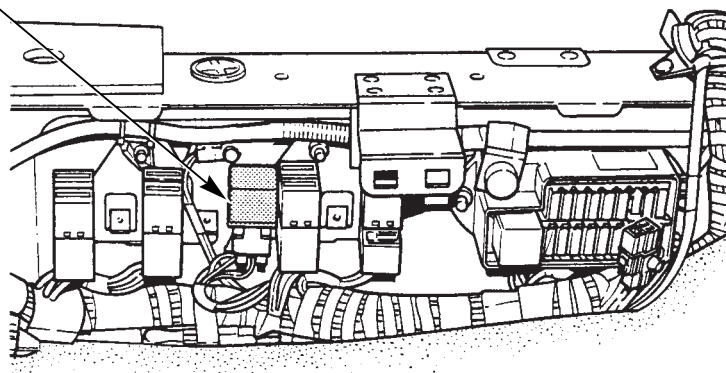
**LEFT SIDE SEAT HEATER TIMER**



**LEFT SIDE HEEL BOARD**

JSI-2694

**RIGHT SIDE SEAT HEATER TIMER**



**RIGHT SIDE HEEL BOARD**

J86-2122

**ILLUSTRATION 5**

19. Install the seat heater timers in the relay bases in the rear heel board fuse box areas (Illustration 5).
20. Reinstall the heel board fuse box covers.
21. Reinstall the modified rear center console extension.
22. Reinstall the veneer plate.

23. Reinstall the rear seat cushion and squab assemblies

**NOTE:** Connect the seat heater fly leads to each other and to the seat heater link harness.

24. Check that a 15 Amp fuse is present in F17 of the trunk fuse box. Reconnect the battery and reset the clock.

25. Test the seat heaters for correct operation. For information regarding seat heater operation, refer to pages 11 and 12 of the Technical Guide for XJ6 & XJ12 Range, 1996 Model Year, as well as Fig. 14.13 in the 1996 MY Electrical Guide.

**PARTS INFORMATION:**

<b><u>DESCRIPTION</u></b>	<b><u>PART NUMBER</u></b>	<b><u>QTY</u></b>
S661 Modification kit -		1
cream or	JAG 96/NDR	
coffee or	JAG 96/SDC	
parchment or	JAG 96/HEZ	
warm charcoal	JAG 96/LEG	

The kit consists of the parts listed below:

**KIT PARTS LIST:**

<b><u>DESCRIPTION</u></b>	<b><u>PART NUMBER</u></b>	<b><u>QTY</u></b>
Rear seat heater - right side cushion pad	LNA 2702DA	1
Rear seat heater - left side cushion pad	LNA 2703DA	1
Rear seat heater - right side squab pad	LNA 2708DA	1
Rear seat heater - left side squab pad	LNA 2709DA	1
Rear seat heater - link harness	LNA 3526BE	1
Rear seat heater - timer	LHF 2175AA	2
Rear seat heater - right side switch	LXF 6050CA	1
Rear seat heater - left side switch	LXF 6051CA	1
Switch plate, leather -		1
cream or	GXF 8370BB/NDR	
coffee or	GXF 8370BB/SDC	
parchment or	GXF 8370BB/HEZ	
warm charcoal	GXF 8370BB/LEG	

Obtain hog rings and tie straps locally.

**WARRANTY INFORMATION:**

Service Action S661

<b><u>VEHICLE</u></b>	<b><u>SUMMARY CODE</u></b>	<b><u>DESCRIPTION</u></b>	<b><u>TIME ALLOWANCE</u></b>
LWB 1996 MY See VIN chart Model codes 2552	LA	Install rear seat heaters - Vehicles with <b>warm charcoal</b> interior trim - without drive in/out time	3.65 hrs.
LWB 1996 MY See VIN chart Model codes 2552	LB	Install rear seat heaters - Vehicles with <b>warm charcoal</b> interior trim - with drive in/out time	3.80 hrs.
LWB 1996 MY See VIN chart Model codes 2552	LC	Install rear seat heaters - Vehicles with <b>coffee</b> interior trim - without drive in/out time	3.65 hrs.
LWB 1996 MY See VIN chart Model codes 2552	LD	Install rear seat heaters - Vehicles with <b>coffee</b> interior trim - with drive in/out time	3.80 hrs.
LWB 1996 MY See VIN chart Model codes 2552	LE	Install rear seat heaters - Vehicles with <b>cream</b> interior trim - without drive in/out time	3.65 hrs.
LWB 1996 MY See VIN chart Model codes 2552	LF	Install rear seat heaters - Vehicles with <b>cream</b> interior trim - with drive in/out time	3.80 hrs.
LWB 1996 MY See VIN chart Model codes 2552, 2553	LG	Install rear seat heaters - Vehicles with <b>parchment</b> interior trim - without drive in/out time	3.65 hrs.
LWB 1996 MY See VIN chart Model codes 2552, 2553	LH	Install rear seat heaters - Vehicles with <b>parchment</b> interior trim - with drive in/out time	3.80 hrs.



CLAIM SUBMISSION PROCEDURE:

Warranty summary codes have been assigned to this service action in order to simplify claim submission. The dealership will be reimbursed the parts and labor time allowance as indicated.

DCS DEALERS

Submit claims using the appropriate summary code for the vehicle model and work performed. Follow standard campaign submission procedures.

NON-DCS DEALERS

Submit claims on the Recall Campaign Summary form W-25. Enter the appropriate summary code for the vehicle model and work performed in the Repair Code column. Do not use the W-1 warranty claim form.

**AFFECTED VIN BY DEALER NO.**

<b>Dealer No.</b>	<b>VIN</b>	<b>Warr. Code</b>	<b>Trim Color</b>	<b>Dealer No.</b>	<b>VIN</b>	<b>Warr. Code</b>	<b>Trim Color</b>
0078	760459	2552	CREM	5498	760710	2552	CREM
0078	762969	2552	CREM	5537	759849	2552	CREM
0078	763796	2552	PRCH	5544	762422	2552	CREM
0078	763932	2552	COFF	5544	763436	2552	CREM
0147	760743	2552	PRCH	5573	757528	2552	CREM
0222	760806	2552	COFF	5573	759441	2552	CREM
0486	763364	2552	CREM	5573	761919	2552	COFF
0517	759097	2552	CREM	5581	757025	2552	CREM
0517	761963	2552	CREM	5581	759109	2552	CREM
0517	763832	2552	COFF	5581	760207	2552	CREM
0517	763869	2552	CREM	5581	761380	2552	CREM
0517	764662	2552	COFF	5581	762107	2552	CREM
0518	762637	2552	COFF	5581	762206	2552	PRCH
0598	759633	2552	CREM	5581	762789	2552	CREM
0598	762817	2552	CREM	5581	762889	2552	CREM
0598	763760	2552	CREM	5595	759001	2552	CREM
0655	759217	2552	CREM	5603	761452	2552	COFF
0696	758537	2552	CREM	5603	762530	2552	COFF
0696	759561	2552	CREM	5627	762350	2552	CREM
0696	761811	2552	CREM	5627	764039	2552	CREM
1049	759489	2552	COFF	5630	762602	2552	COFF
1060	760915	2552	CREM	5631	760949	2552	CREM
1060	761057	2552	CREM	5632	762242	2552	CREM
1417	759885	2552	CREM	5634	764011	2552	CREM
1417	760603	2552	CREM	5635	761021	2552	CHAR
1427	762071	2552	CREM	5636	762961	2552	PRCH
1427	763113	2552	COFF	5639	759813	2552	COFF
1459	759357	2552	CREM	5640	759741	2552	CREM
1459	762178	2552	CREM	5640	759921	2552	COFF
2103	762170	2552	CREM	5640	761273	2552	CREM
3148	760243	2552	COFF	5640	763400	2552	CREM
3201	761065	2552	CREM	5641	758679	2552	CREM
3904	761927	2552	CREM	5641	761747	2552	CREM
3937	759597	2552	CREM	5641	762142	2552	CREM
4008	759309	2552	CREM	5643	760841	2552	CREM
4008	762027	2552	CREM	5648	763185	2552	COFF
5008	762494	2552	CREM	5652	758501	2552	CREM
5397	761703	2552	CREM	5652	760315	2552	CREM
5416	761883	2552	CREM	5652	762781	2552	CREM
5416	761955	2552	CREM	5652	764515	2552	CREM
5416	764003	2552	CREM	5653	763896	2552	CREM
5455	764363	2552	CREM	5662	760771	2552	CREM
5460	762250	2552	CREM	5664	762745	2552	CREM
5460	764147	2552	CREM	5668	758965	2552	CREM
5487	761711	2552	CREM	5668	762063	2552	CREM
5490	761775	2552	COFF	5671	762314	2552	CREM
5490	762753	2552	COFF	5675	763580	2552	CREM
5490	763967	2552	CREM	5675	764507	2552	COFF
5497	762430	2552	PRCH	5679	762709	2552	CREM
5497	763688	2552	CREM	5679	763975	2552	CREM
5497	764155	2552	CREM	5679	764797	2552	CREM

## AFFECTED VIN BY DEALER NO. (CONTINUED)

Dealer No.	VIN	Warr. Code	Trim Color	Dealer No.	VIN	Warr. Code	Trim Color
5680	762925	2552	CREM	5706	761388	2552	COFF
5681	761891	2552	COFF	5708	759753	2552	CREM
5684	763544	2552	CREM	5708	762861	2552	CREM
5684	764219	2552	CREM	6246	747775	2552	CREM
5686	760985	2552	CREM	Brisbane	761560	2552	CREM
5686	760993	2552	CREM	Brisbane	764833	2552	COFF
5686	761093	2552	COFF	FORD	761739	2552	PRCH
5686	761416	2552	CREM	FORD	762039	2353	PRCH
5686	762358	2552	CHAR	FORD	762278	2552	CREM
5686	762673	2552	CHAR	FORD	762394	2552	CREM
5686	762853	2552	CREM	FORD	762997	2552	CREM
5686	763257	2552	CREM	FORD	763860	2552	CREM
5686	763329	2552	COFF	Mahwah	742823	2552	CREM
5686	763616	2552	COFF	Mahwah	746839	2552	CREM
5686	764255	2552	CREM	Mahwah	746911	2552	CREM
5686	764327	2552	CREM	Mahwah	746983	2552	CREM
5688	761667	2552	CREM	Mahwah	747030	2552	CREM
5689	762134	2552	CREM	Mahwah	747055	2552	CREM
5689	762386	2552	COFF	Mahwah	747271	2552	COFF
5689	762458	2552	CREM	Mahwah	748026	2552	COFF
5695	759525	2552	CREM	Mahwah	756989	2552	CREM
5695	761596	2552	CREM	Mahwah	760880	2552	CREM
5695	764579	2552	CREM	Mahwah	761344	2552	PRCH
5697	760423	2552	CREM	Mahwah	761991	2552	CREM
5703	762566	2552	CREM	Mahwah	762099	2552	CREM
5703	763724	2552	CREM	Mahwah	764291	2552	CREM
5706	758821	2552	CREM				

## AFFECTED VIN IN NUMERICAL ORDER

VIN	Warr. Code	Trim Color	VIN	Warr. Code	Trim Color
742823	2552	CREM	759001	2552	CREM
746839	2552	CREM	759097	2552	CREM
746911	2552	CREM	759109	2552	CREM
746983	2552	CREM	759217	2552	CREM
747030	2552	CREM	759309	2552	CREM
747055	2552	CREM	759357	2552	CREM
747271	2552	COFF	759441	2552	CREM
747775	2552	CREM	759489	2552	COFF
748026	2552	COFF	759525	2552	CREM
756989	2552	CREM	759561	2552	CREM
757025	2552	CREM	759597	2552	CREM
757528	2552	CREM	759633	2552	CREM
758501	2552	CREM	759741	2552	CREM
758537	2552	CREM	759753	2552	CREM
758679	2552	CREM	759813	2552	COFF
758821	2552	CREM	759849	2552	CREM
758965	2552	CREM	759885	2552	CREM
			759921	2552	COFF

## AFFECTED VIN IN NUMERICAL ORDER (CONTINUED)

VIN	Warr. Code	Trim Color	VIN	Warr. Code	Trim Color
760207	2552	CREM	762170	2552	CREM
760243	2552	COFF	762178	2552	CREM
760315	2552	CREM	762206	2552	PRCH
760423	2552	CREM	762242	2552	CREM
760459	2552	CREM	762250	2552	CREM
760603	2552	CREM	762278	2552	CREM
760710	2552	CREM	762314	2552	CREM
760743	2552	PRCH	762350	2552	CREM
760771	2552	CREM	762358	2552	CHAR
760806	2552	COFF	762386	2552	COFF
760841	2552	CREM	762394	2552	CREM
760880	2552	CREM	762422	2552	CREM
760915	2552	CREM	762430	2552	PRCH
760949	2552	CREM	762458	2552	CREM
760985	2552	CREM	762494	2552	CREM
760993	2552	CREM	762530	2552	COFF
761021	2552	CHAR	762566	2552	CREM
761057	2552	CREM	762602	2552	COFF
761065	2552	CREM	762637	2552	COFF
761093	2552	COFF	762673	2552	CHAR
761273	2552	CREM	762709	2552	CREM
761344	2552	PRCH	762745	2552	CREM
761380	2552	CREM	762753	2552	COFF
761388	2552	COFF	762781	2552	CREM
761416	2552	CREM	762789	2552	CREM
761452	2552	COFF	762817	2552	CREM
761560	2552	CREM	762853	2552	CREM
761596	2552	CREM	762861	2552	CREM
761667	2552	CREM	762889	2552	CREM
761703	2552	CREM	762925	2552	CREM
761711	2552	CREM	762961	2552	PRCH
761739	2552	PRCH	762969	2552	CREM
761747	2552	CREM	762997	2552	CREM
761775	2552	COFF	763113	2552	COFF
761811	2552	CREM	763185	2552	COFF
761883	2552	CREM	763257	2552	CREM
761891	2552	COFF	763329	2552	COFF
761919	2552	COFF	763364	2552	CREM
761927	2552	CREM	763400	2552	CREM
761955	2552	CREM	763436	2552	CREM
761963	2552	CREM	763544	2552	CREM
761991	2552	CREM	763580	2552	CREM
762027	2552	CREM	763616	2552	COFF
762039	2353	PRCH	763688	2552	CREM
762063	2552	CREM	763724	2552	CREM
762071	2552	CREM	763760	2552	CREM
762099	2552	CREM	763796	2552	PRCH
762107	2552	CREM	763832	2552	COFF
762134	2552	CREM	763860	2552	CREM
762142	2552	CREM	763869	2552	CREM

## AFFECTED VIN IN NUMERICAL ORDER (CONTINUED)

VIN	Warr. Code	Trim Color	VIN	Warr. Code	Trim Color
763896	2552	CREM	764255	2552	CREM
763932	2552	COFF	764291	2552	CREM
763967	2552	CREM	764327	2552	CREM
763975	2552	CREM	764363	2552	CREM
764003	2552	CREM	764507	2552	COFF
764011	2552	CREM	764515	2552	CREM
764039	2552	CREM	764579	2552	CREM
764147	2552	CREM	764662	2552	COFF
764155	2552	CREM	764797	2552	CREM
764219	2552	CREM	764833	2552	COFF